

My Little Desk Bed[™]

Model Number: 79415

Instructions



Please read these instructions and keep them for future reference.

Adult assembly is required.

My Little Desk Bed is recommended for children who are at least 15 months old and are ready to progress from a crib to a bed, including being able to get on and off a bed unassisted.

Maximum weight: 50 lbs.

Tools needed for assembly: Hammer and Two Phillips Screwdrivers.

Fisher-Price[®]

⚠ WARNING

Failure to follow these warnings and the assembly instructions could result in a serious injury or death from entrapment or strangulation.

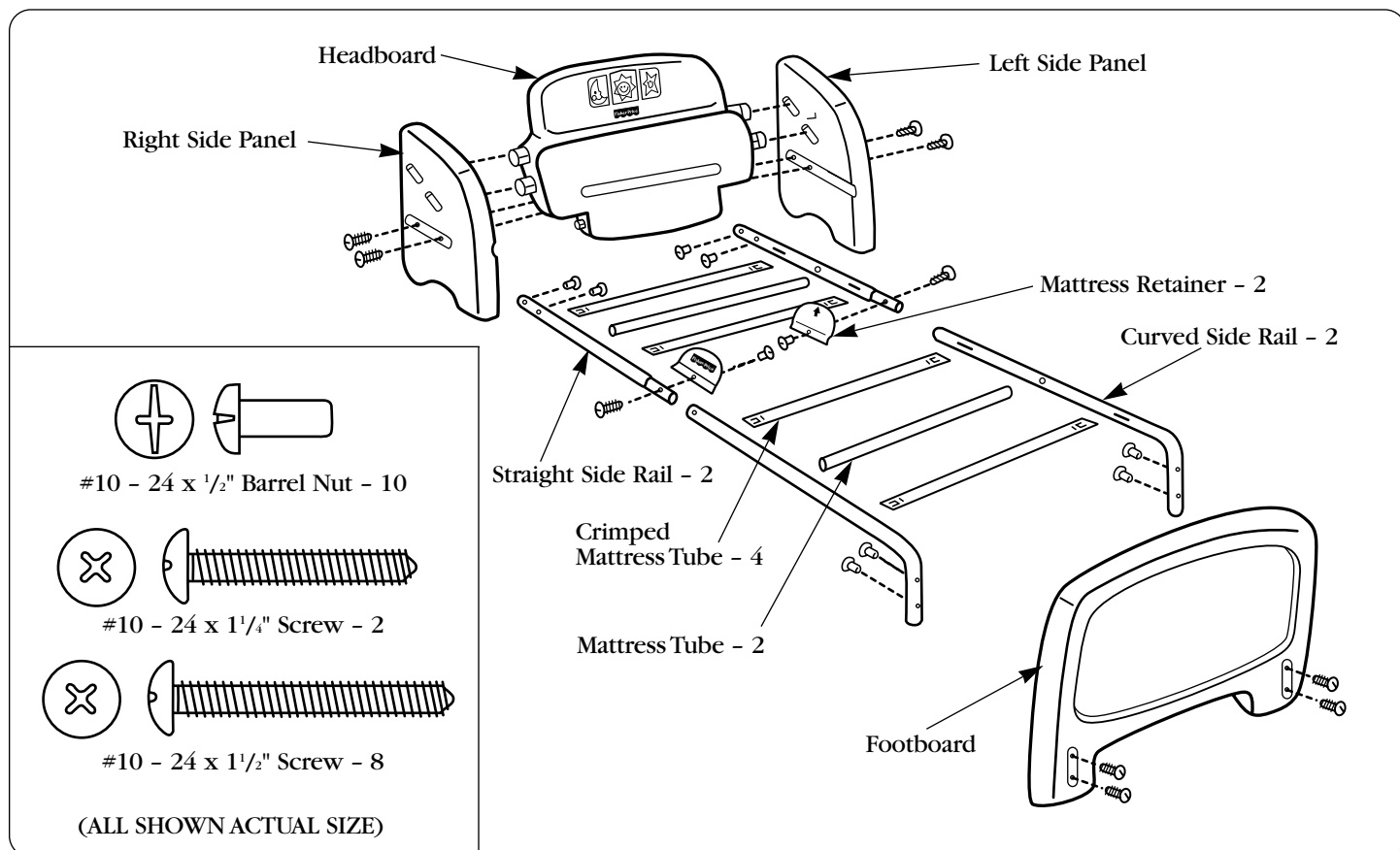
- Use only a full size crib mattress at least 27¹/₄" (690 mm) by 51⁵/₈" (1310 mm) by 5" (127 mm) thick.
- Never place bed near windows where cords from blinds or drapes may strangle child.
- Regularly inspect bed for damage. DO NOT use bed if any parts are missing or broken. Call Fisher-Price (1-800-432-KIDS in U.S.) for replacement parts and instructions if needed. DO NOT substitute parts.
- Make sure the space between the bed and the wall or other furniture is less than 2³/₈" or more than 8".

Message to Parents

Occasionally a consumer may experience a problem with one of our products. If this should happen, please call us, toll-free, rather than return this product to the store. Usually we can solve the problem on the telephone or by sending you replacement parts. Please call Fisher-Price Consumer Affairs, toll-free at **1-800-432-KIDS**, 8 AM - 6 PM EST Monday through Friday. Hearing-impaired consumers using TTY/TDD equipment, please call 1-800-382-7470. Or, write to: Fisher-Price Consumer Affairs, 636 Girard Avenue, East Aurora, New York 14052.

Toddler Bed Assembly

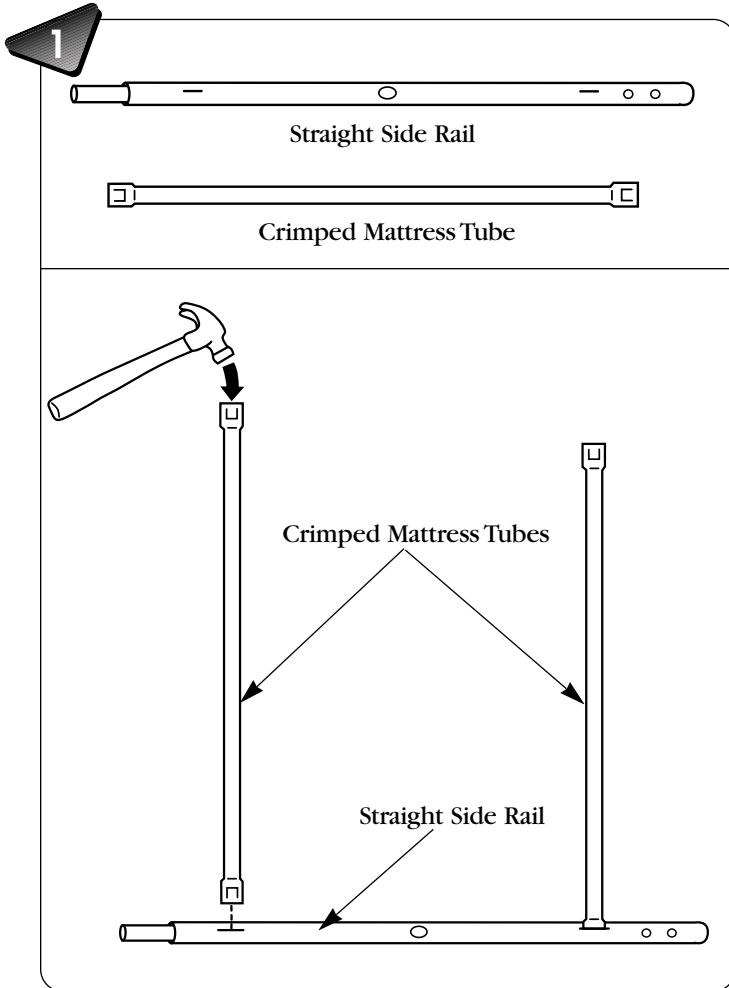
- Please save all packaging material until assembly is complete to ensure no parts are discarded.
- Before assembling My Little Desk Bed™, please wipe each part with a clean, dry cloth.



Toddler Bed Assembly

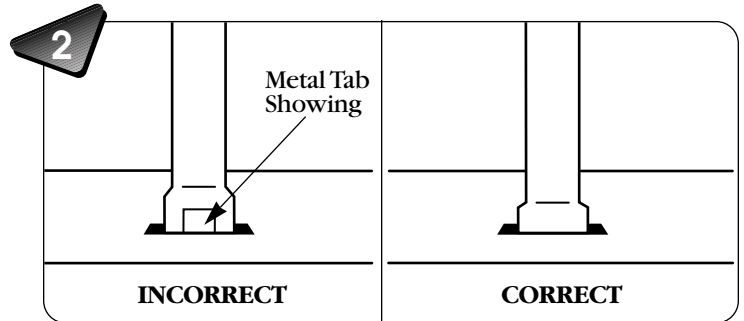
CAUTION

Please keep small parts and plastic bags out of children's reach.
Dispose of plastic bags properly.

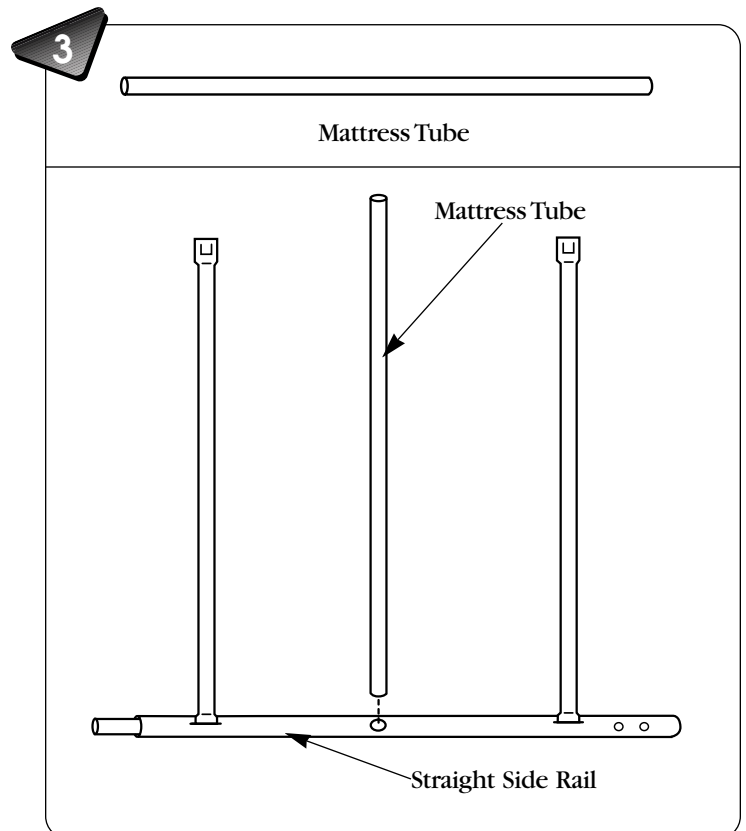


Helpful Hint: The assembly of the crimped mattress tubes to the straight side rail is permanent. Once assembled properly, you will be unable to remove the crimped mattress tubes.

- Place one of the straight side rails on a soft, flat surface.
- Insert a crimped mattress tube into each slot in the straight side rail.
- Tap the ends of the crimped mattress tubes with a hammer until they snap into place.

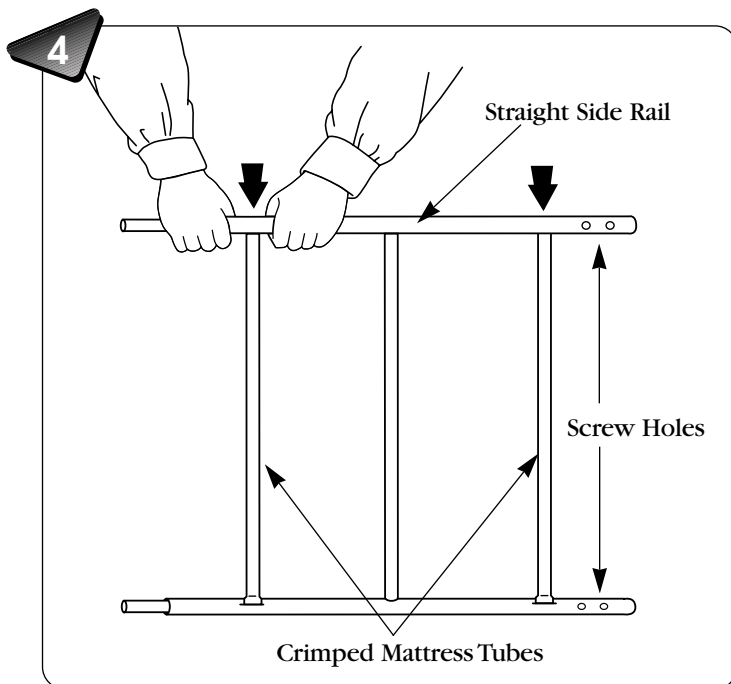


- Check to be sure the crimped mattress tubes are inserted properly.
- There is a metal tab on one side of the crimped end. Make sure the metal tab is not showing.
- **Pull up firmly on the crimped mattress tubes to be sure they are securely in place.**
- If the crimped mattress tubes can be removed from the straight side rail, re-read and repeat step 2.



- Insert the mattress tube into the hole in the straight side rail.

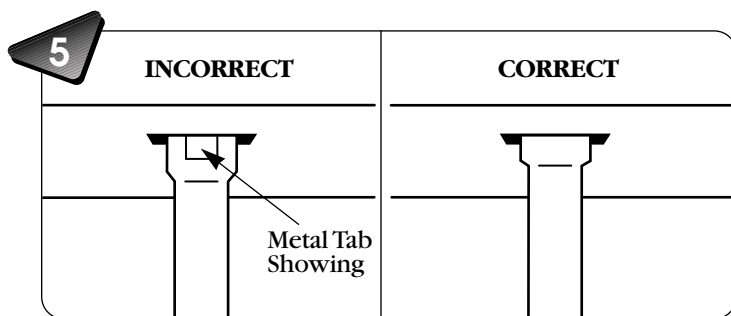
Toddler Bed Assembly



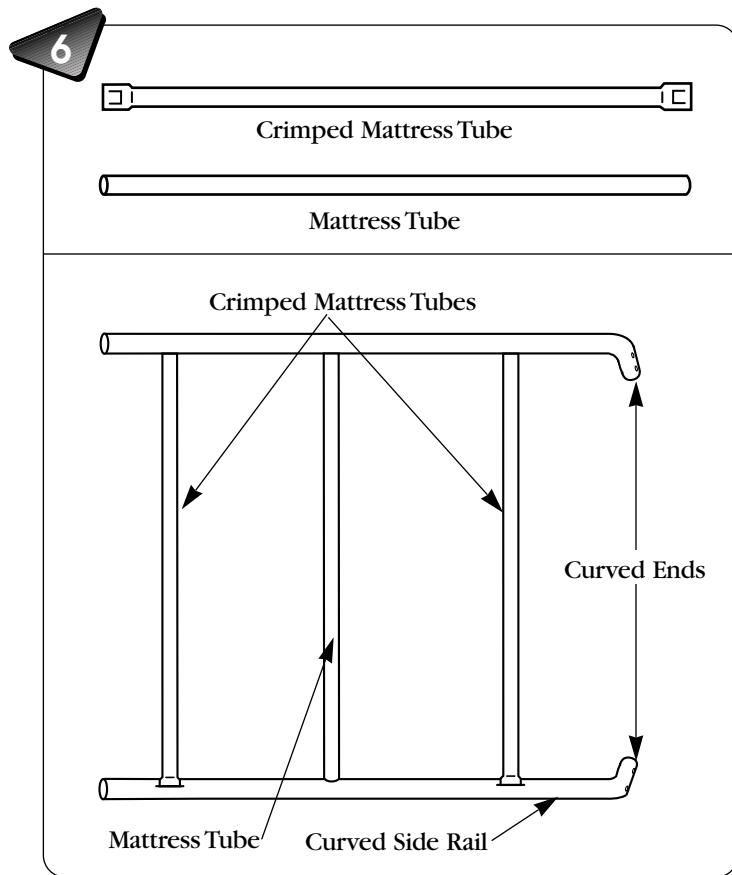
- Position the other straight side rail so that the screw holes on each straight side rail are on the same side.

Helpful Hint: The assembly of the crimped mattress tubes to the straight side rail is permanent. Once assembled properly, you will be unable to remove the straight side rail.

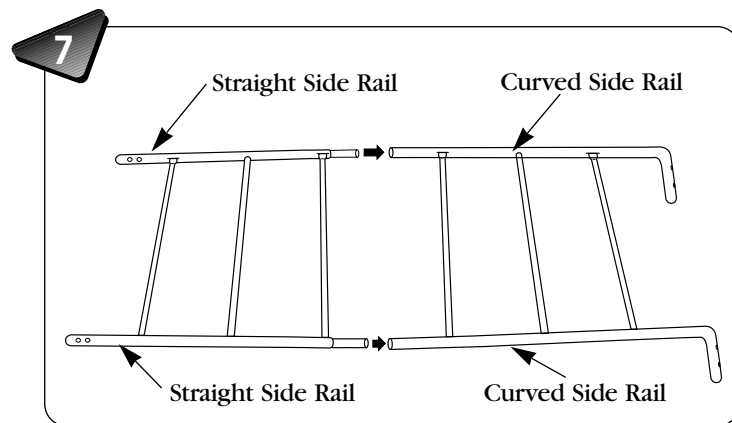
- Fit the slots and hole in the straight side rail onto the mattress tubes.
- Push down on both ends of the straight side rail to be sure the crimped mattress tubes snap into place.



- Check to be sure the crimped mattress tubes are inserted properly.
- There is a metal tab on one side of the crimped end. Make sure the metal tab is not showing.
- **Pull up firmly on the straight side rail to be sure the mattress tubes are securely in place.**
- If the straight side rail can be removed from the crimped mattress tubes, re-read and repeat step 4.

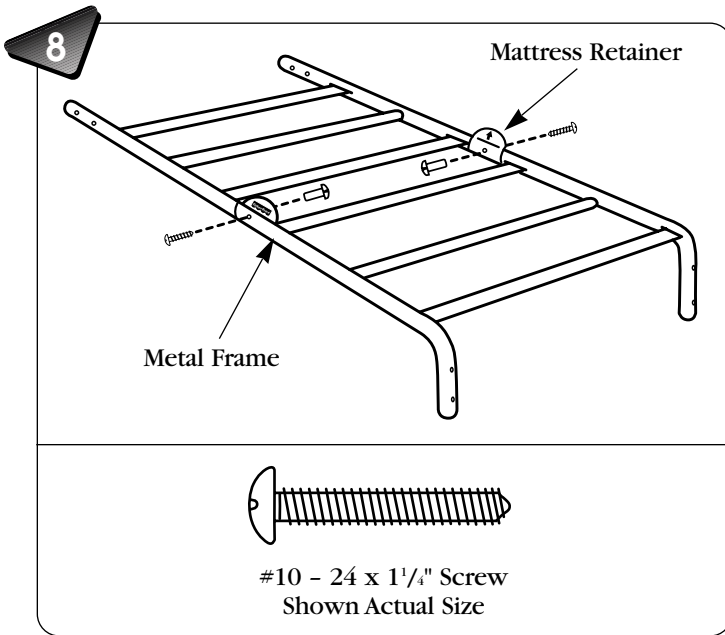


- Repeat steps 1 - 5 to assemble the curved side rails and remaining crimped and regular mattress tubes.
- Make sure the curved ends of the curved side rails are on the same side.

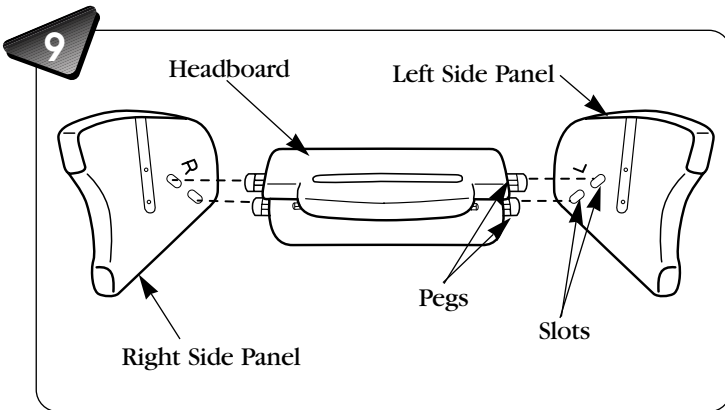


- Place both metal frame assemblies on a flat surface.
- Insert the straight side rails into the curved side rails, as shown.

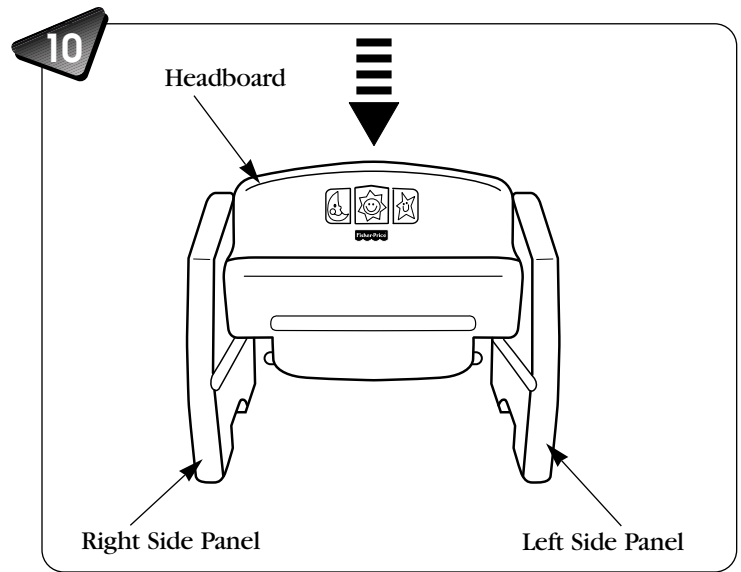
Toddler Bed Assembly



- Locate the holes in the metal frame, near the middle.
- Position a mattress retainer so that the arrow is pointing up and is over the hole on the inside of the metal frame assembly.
- Insert a barrel nut through the mattress retainer and into the **inside** of the metal frame.
- Insert a 1¹/₄" screw into the **outside** of the metal frame and hand tighten the hardware.
- While holding the barrel nut in place with a Phillips screwdriver, tighten the screw with the other Phillips screwdriver. Do not over-tighten.
- Repeat this procedure to attach the other mattress retainer to the other side of the metal frame.

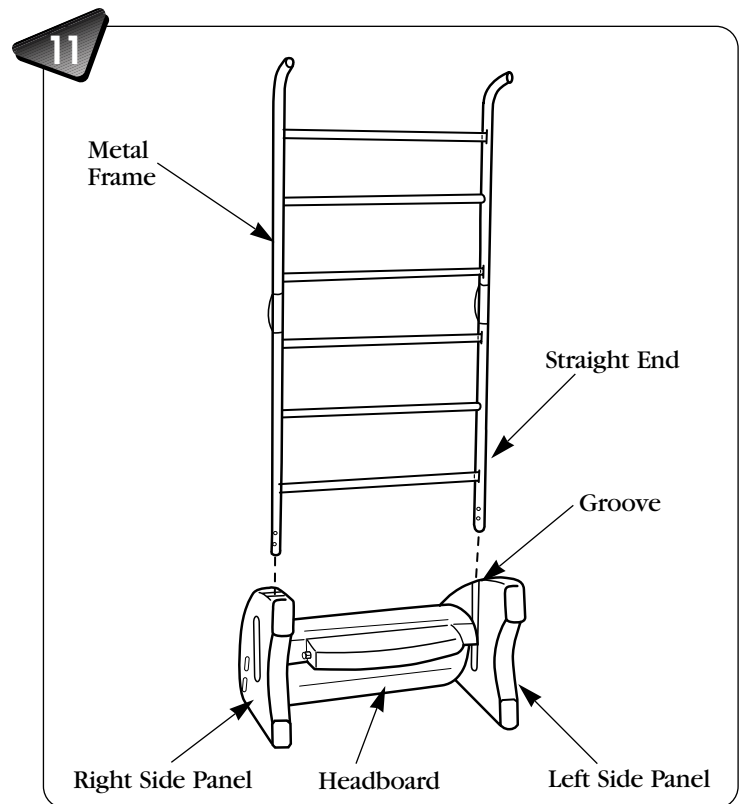


- Position the headboard on a flat surface with the molded moon, sun and star facing up.
- Position the right side panel with the **R** facing the headboard.
- Fit the pegs on the headboard into the slots in the right side panel.
- Repeat this procedure to attach the left side panel to the headboard.



- Stand the headboard assembly upright, as shown.
- Push down on the top of the headboard to secure it to the right and left side panels.

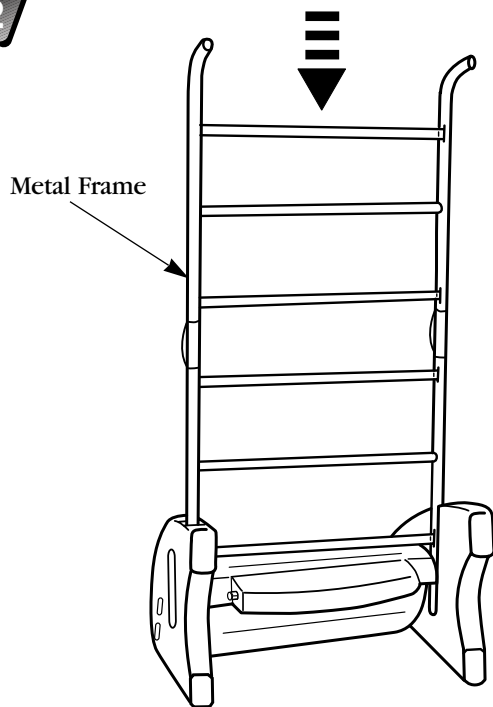
Helpful Hint: If you are having difficulty securing the headboard to the left and right side panels, position the assembly against a wall (with the molded moon, sun and star toward the wall). Push down on the top of the headboard to secure it to the left and right side panels.



- Turn the headboard assembly backward, as shown.
- Position the metal frame with the straight ends downward, and the curved ends pointing forward, as shown.
- Insert the metal frame straight ends into the grooves in the left and right side panels.

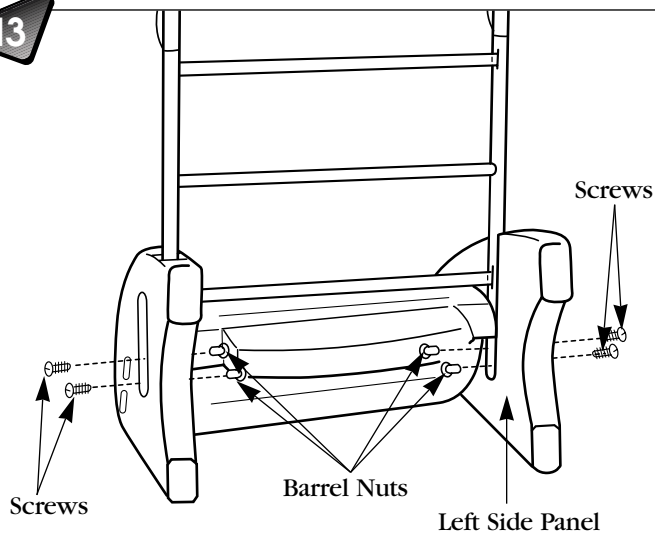
Toddler Bed Assembly

12



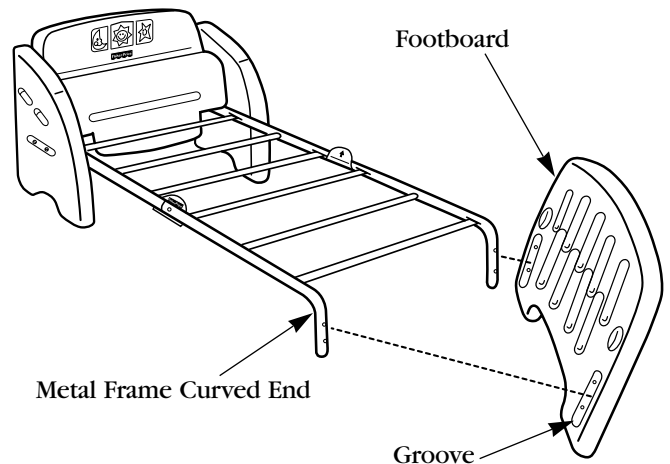
- Push down on the metal frame to completely insert it into the grooves in the left and right side panels.

13



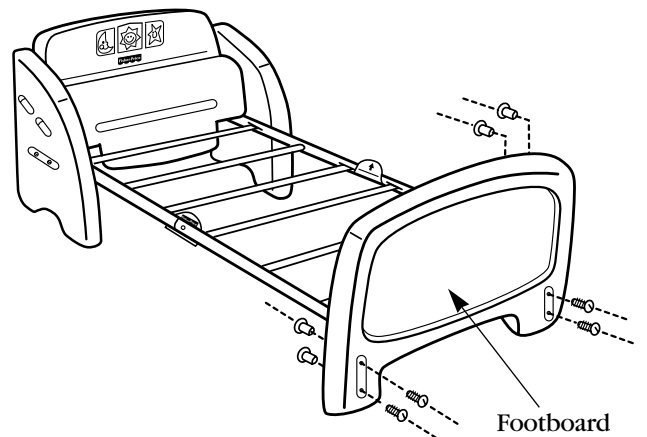
- Insert two barrel nuts into the metal frame located on the inside of the left side panel, as shown.
- Insert two screws into the outside of the left side panel and hand tighten the hardware.
- While holding a barrel nut in place with a Phillips screwdriver, tighten the screw with the other Phillips screwdriver. Do not over-tighten. Repeat this procedure to tighten the other screw.
- Repeat this step to secure the right side panel to the metal frame.
- Turn the assembly right side up.

14



- Fit the metal frame curved ends into the grooves in the footboard.

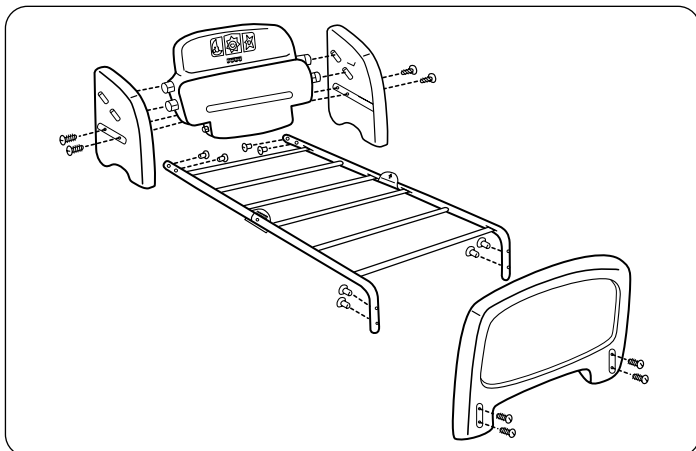
15



- Insert four barrel nuts into the metal frame curved ends.
- Insert four screws into the outside of the footboard and hand tighten the hardware.
- While holding a barrel nut in place with a Phillips screwdriver, tighten the screw with the other Phillips screwdriver. Do not over-tighten. Repeat this procedure to tighten the other screws.

Toddler bed assembly is now complete.

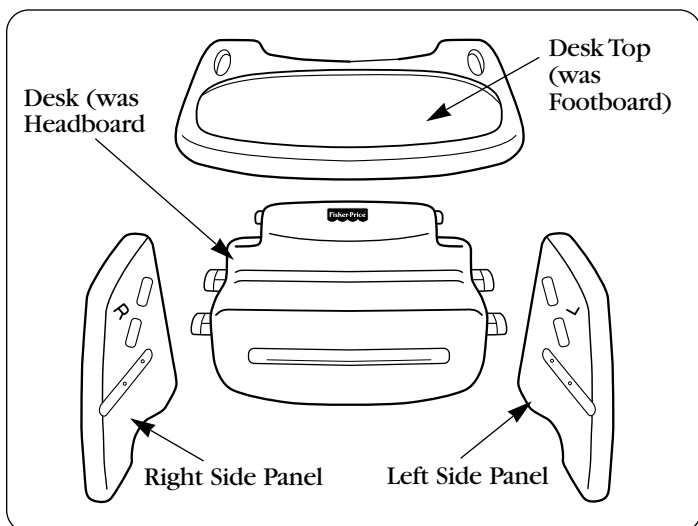
Converting the Toddler Bed to a Desk



- The My Little Desk Bed™ easily disassembles to convert to a desk.
- Remove the barrel nuts and screws (eight of each) from the left side panel, right side panel and footboard.
- Remove the headboard, left and right side panels and footboard from the metal frame.

IMPORTANT! Do not attempt to disassemble the metal frame. Please store the metal frame with barrel nuts and screws in a safe place for future use.

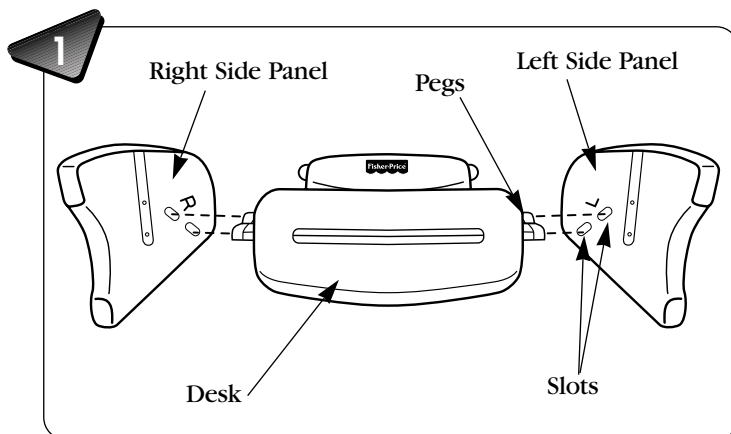
Desk Assembly



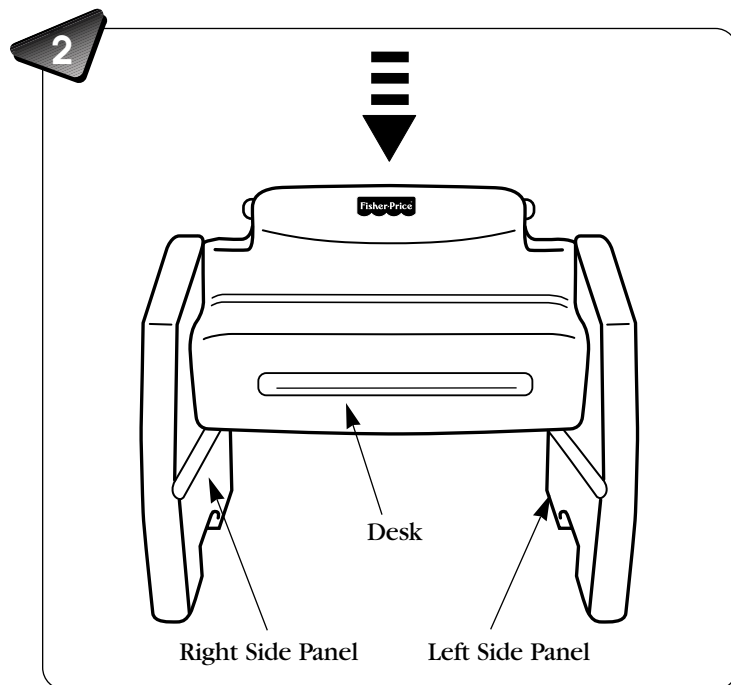
Helpful Hint: Because you are assembling a desk, we have converted the names of some of the parts in this section.

- The headboard is now the desk.
- The footboard is now the desk top.

Desk Assembly



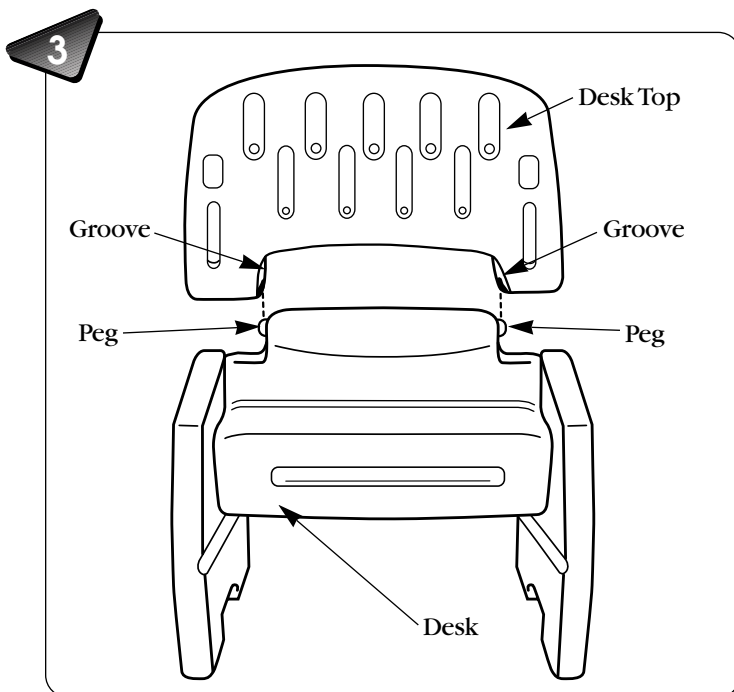
- Position the desk on a flat surface with the molded moon, sun and star facing down.
- Position the right side panel with the **R** facing the desk.
- Fit the pegs on the desk into the slots in the right side panel.
- Repeat this procedure to attach the left side panel to the desk.



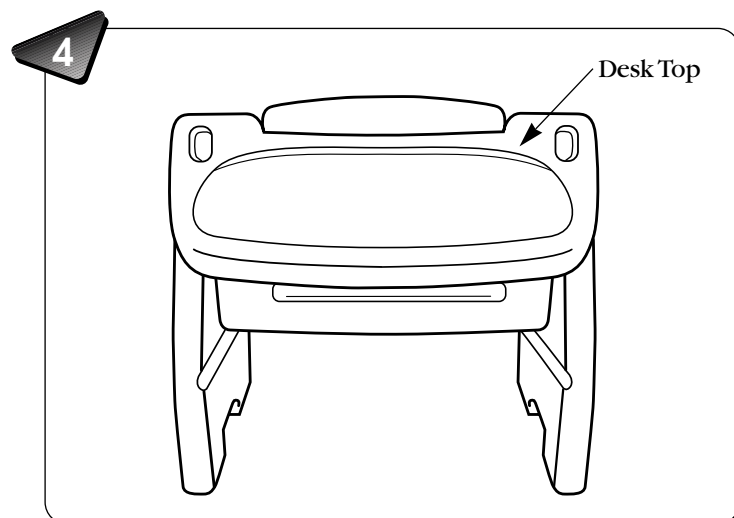
- Stand the desk assembly upright, as shown.
- Push down on the top of the desk to secure it to the left and right side panels.

Helpful Hint: If you are having difficulty securing the desk to the left and right side panels, position the assembly against a wall (with the molded Fisher-Price logo toward the wall). Push down on the top of the desk to secure it to the left and right side panels.

Desk Assembly



- Position the desk top so that the grooved side is toward the desk.
- Fit the pegs on the desk into the grooves in the desk top.



- Rotate the desk top down.

Helpful Hint: When converting the desk back to a toddler bed, rotate the desk top upright and lift to remove it from the desk.

Desk assembly is now complete.

Care

- Wash all parts with a mild cleaning agent and damp cloth. Do not use bleach. Rinse with clean water to remove residue.
- Periodically check My Little Desk Bed™ for loose fasteners and tighten as needed.

One (1) Year Limited Warranty

Fisher-Price, Inc., 636 Girard Avenue, East Aurora, New York 14052, warrants that My Little Desk Bed™ is free from all defects in material and workmanship when used under normal conditions for a period of one (1) year from the date of purchase.

Should the product fail to perform properly, we will repair or replace it at our option, free of charge. Purchaser is responsible for shipping the product to Fisher-Price Consumer Affairs at the address indicated above and for all associated freight and insurance cost. Fisher-Price, Inc. will bear the cost of shipping the repaired or replaced item to you. This warranty is void if the owner repairs or modifies the product. This warranty excludes any other liability other than that expressly stated above including but not limited to any incidental or consequential damages.

SOME STATES DO NOT ALLOW THE EXCLUSION OR LIMITATION OF INCIDENTAL OR CONSEQUENTIAL DAMAGES, SO THE ABOVE LIMITATION OR EXCLUSION MAY NOT APPLY TO YOU.

THIS WARRANTY GIVES YOU SPECIFIC LEGAL RIGHTS AND YOU MAY ALSO HAVE OTHER LEGAL RIGHTS WHICH VARY FROM STATE TO STATE.

If you have any questions about this product:

In Canada, call 1-800-567-7724, or write to: Mattel/Fisher-Price, 6155 Freemont Blvd., Mississauga, Ontario L5R 3W2.

In Great Britain, telephone 01734 770488.

In Australia, call the Fisher-Price Australian Consumer Advisory Service toll-free at 1-800-800-812, or write to: Fisher-Price, Mattel Pty. Limited, 461 Plummer Street, Port Melbourne, Victoria 3207.