



Please keep this instruction sheet for future reference,
as it contains important information.

Adult assembly is required.

Tool needed for assembly: Phillips Screwdriver (not included).

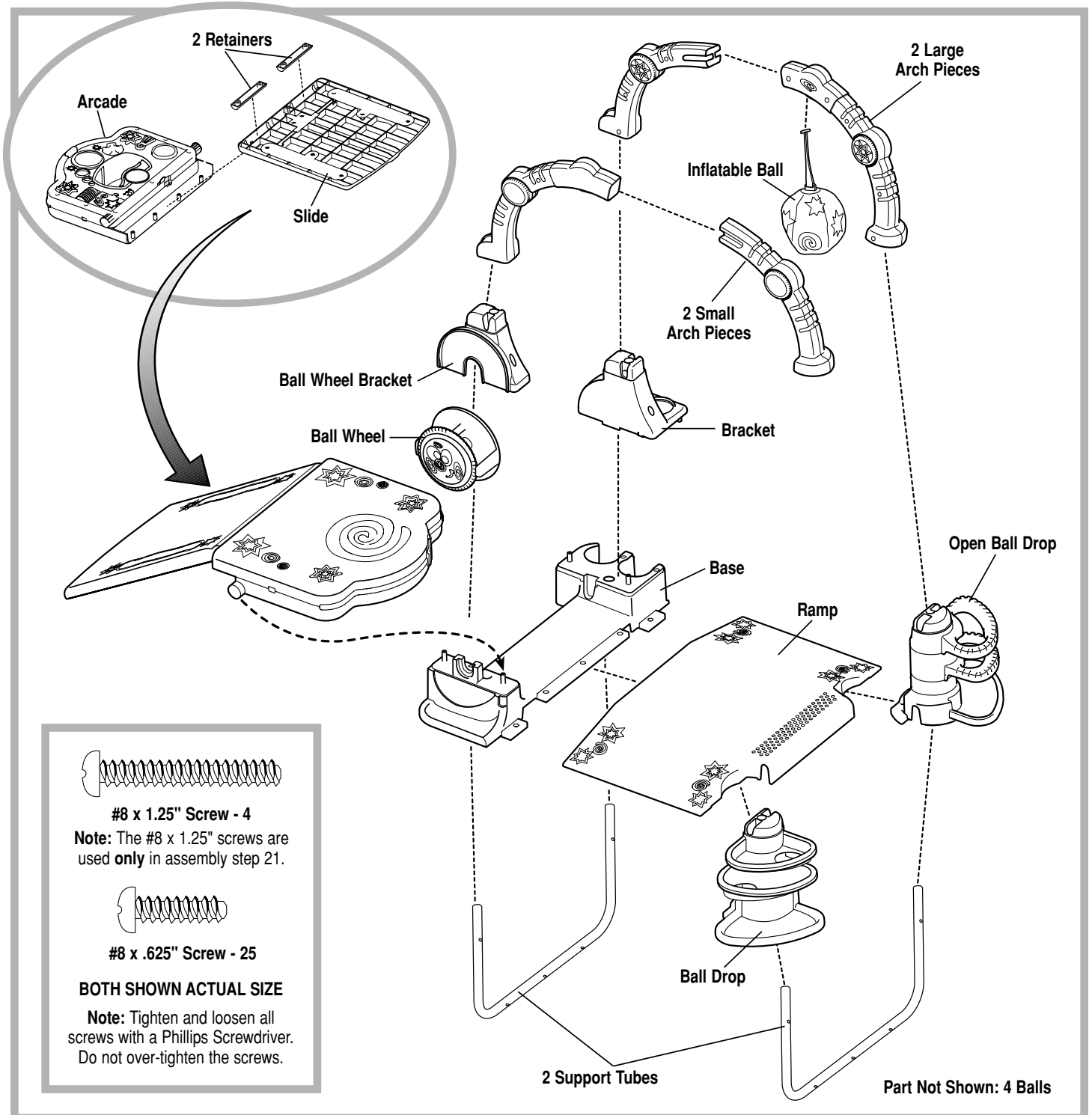
This product requires three "AA" batteries (included) for operation.



www.fisher-price.com

Crawl & Slide Arcade™

Parts



#8 x 1.25" Screw - 4

Note: The #8 x 1.25" screws are used **only** in assembly step 21.



#8 x .625" Screw - 25

BOTH SHOWN ACTUAL SIZE

Note: Tighten and loosen all screws with a Phillips Screwdriver. Do not over-tighten the screws.

Assembly

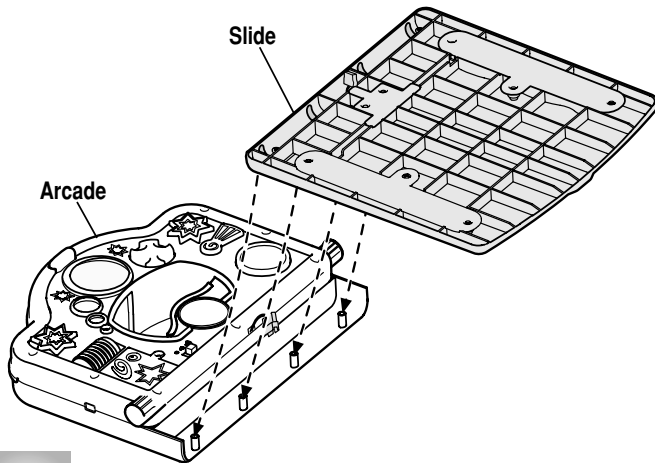
⚠ WARNING

To prevent injury from falls:

- Use slide position for skilled walkers only.
- Keep product away from objects child may fall on.
- Never leave child unattended.

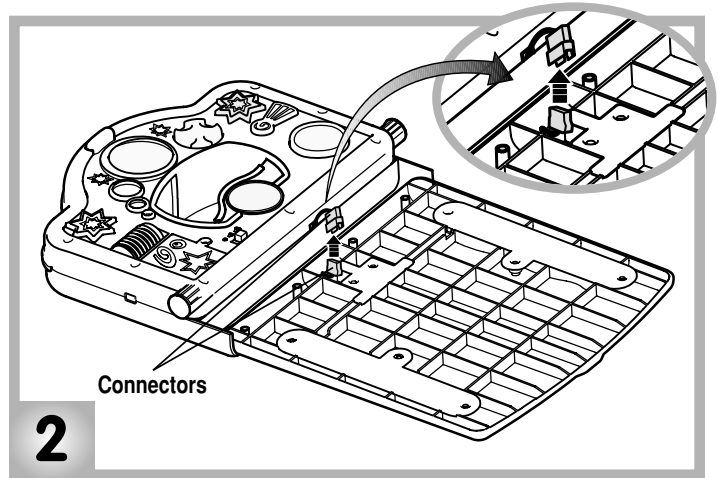
⚠ CAUTION

This product contains small parts in its unassembled state. Adult assembly is required.



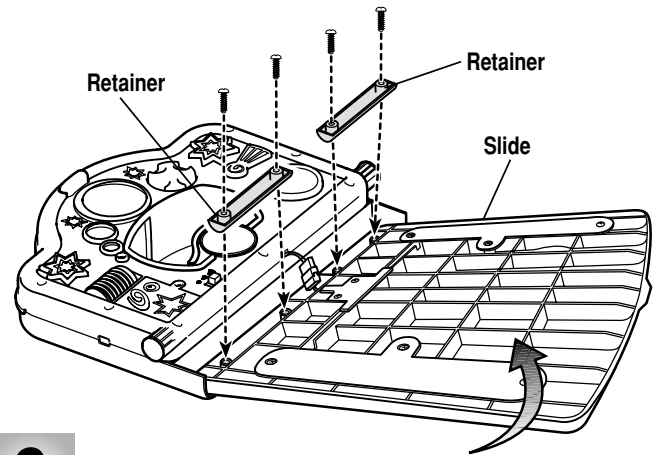
1

- Place the arcade face up on a flat surface.
- With the smooth side of the slide facing down, fit the slide onto the four pegs on the arcade.



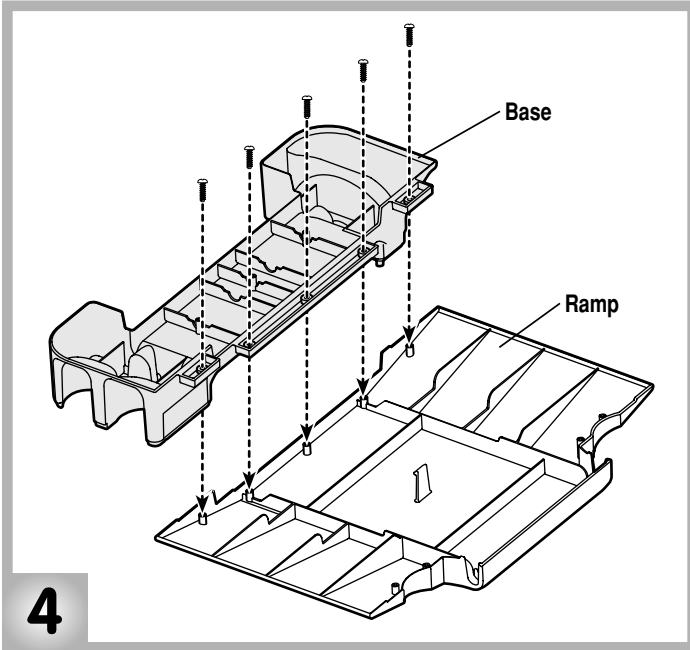
- Plug the slide connector into the arcade connector. Push firmly to be sure the connectors are completely joined.

Hint: Do not force the connectors together. If you cannot join them easily, turn one of the connectors over and try again!

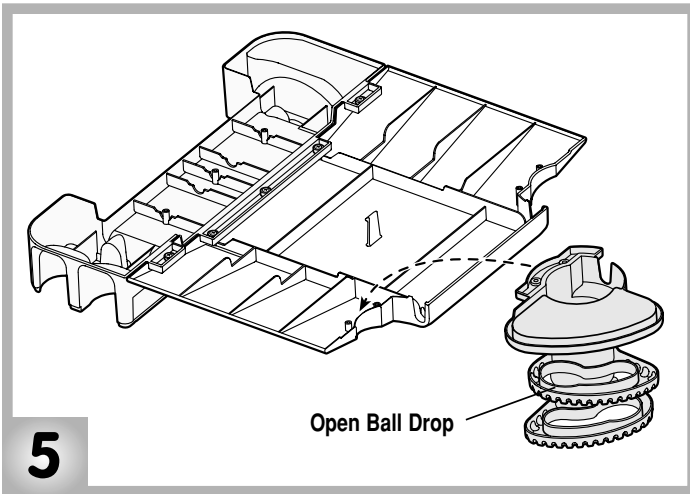


- Lift the slide slightly.
- Fit the retainers onto the pegs of the arcade-slide assembly.
- Insert four .625" screws into the retainers and tighten.
- Set this assembly aside.

Assembly

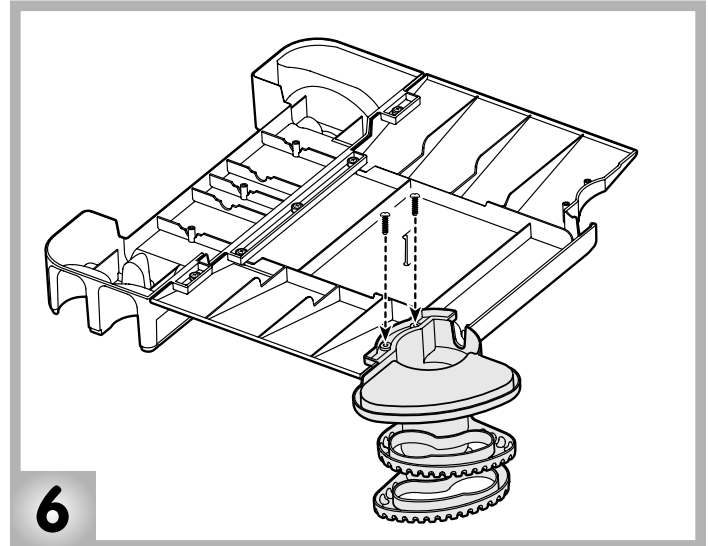


- Turn the ramp and base upside-down with the ribbed side up.
- Fit the base onto the pegs on the ramp.
- Insert five .625" screws into the base and tighten.

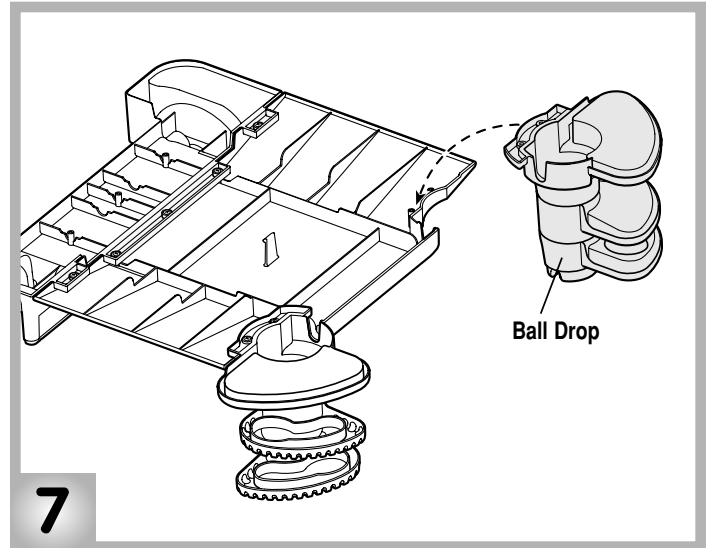


- Turn the open ball drop upside-down.
- Fit the open ball drop to the corner of the base-ramp assembly, as shown.

Hint: You may want to prop up the end of the base-ramp assembly.

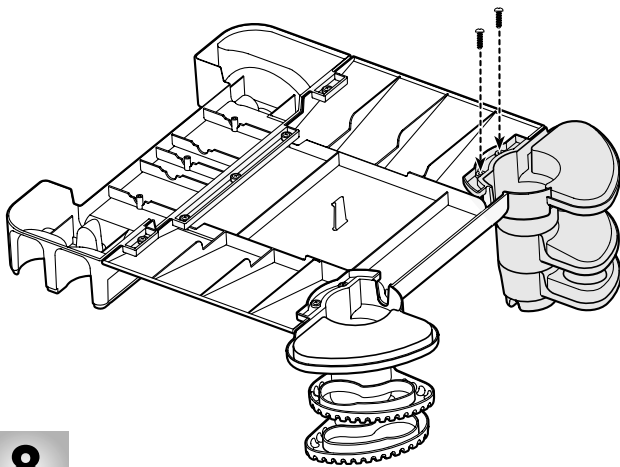


- Insert two .625" screws into the open ball drop and tighten.



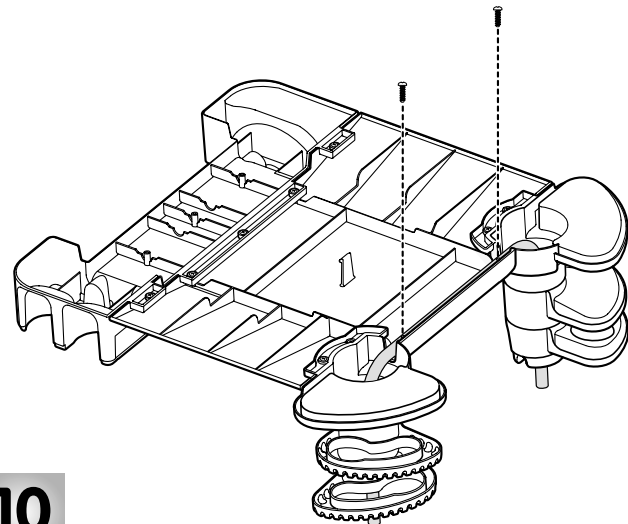
- Turn the other ball drop upside-down.
- Fit the ball drop to the corner of the base-ramp assembly, as shown.

Assembly



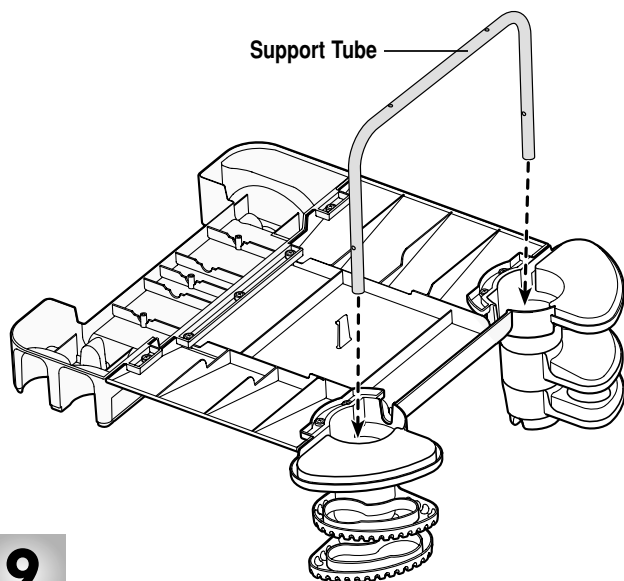
8

- Insert two .625" screws into the ball drop and tighten.



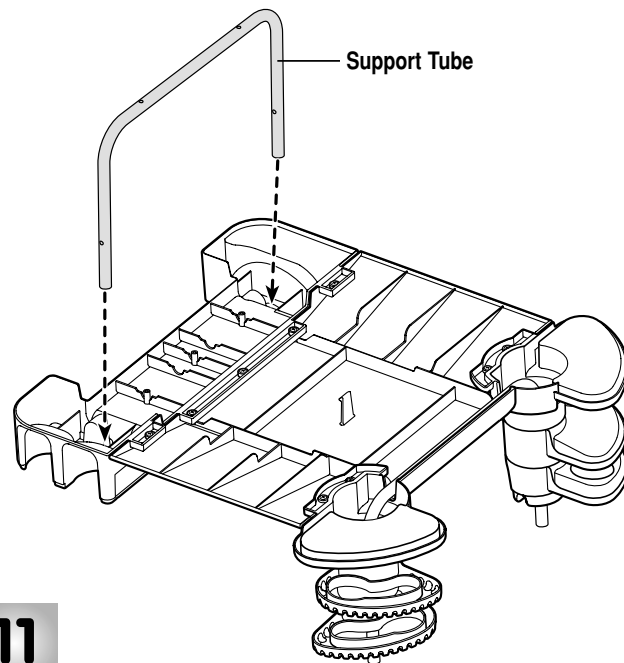
10

- Insert two .625" screws into the support tube and tighten.



9

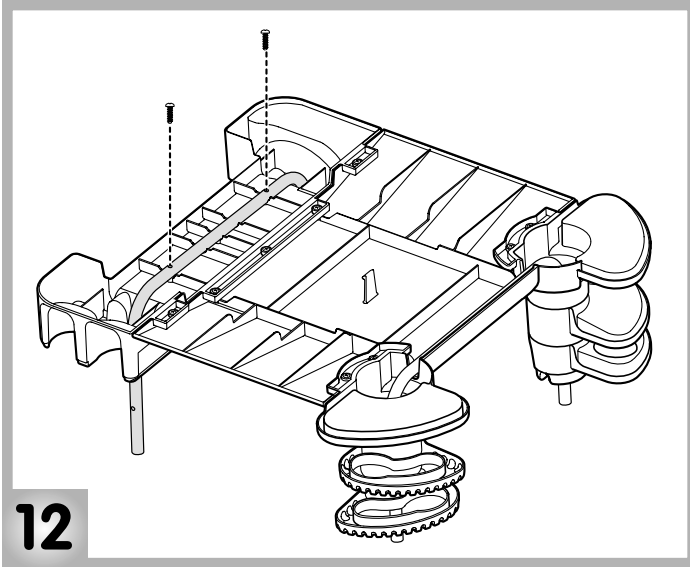
- Fit the ends of a support tube down through the hole in each ball drop.
- Push the support tube down so that it is completely into the groove in the base-ramp assembly.



11

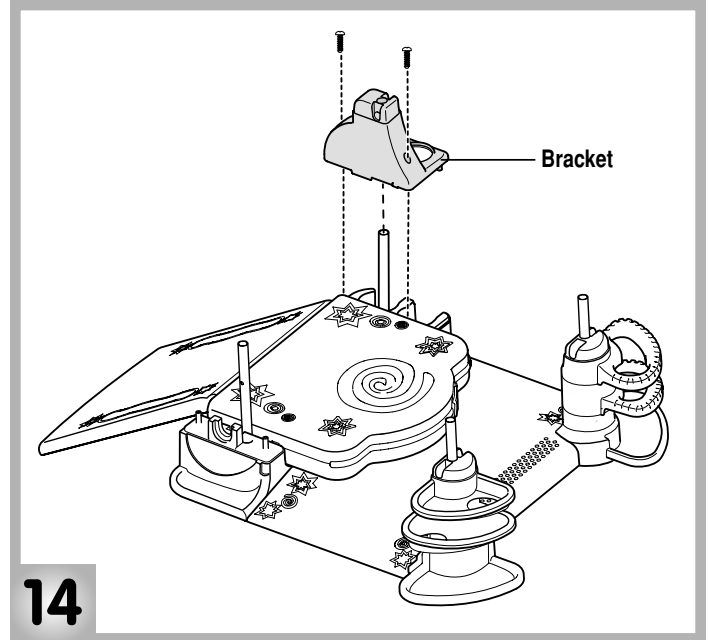
- Fit the ends of the other support tube down through the hole in each end of the base-ramp assembly, as shown.
- Push the support tube down so that it is completely into the groove in the base-ramp assembly.

Assembly



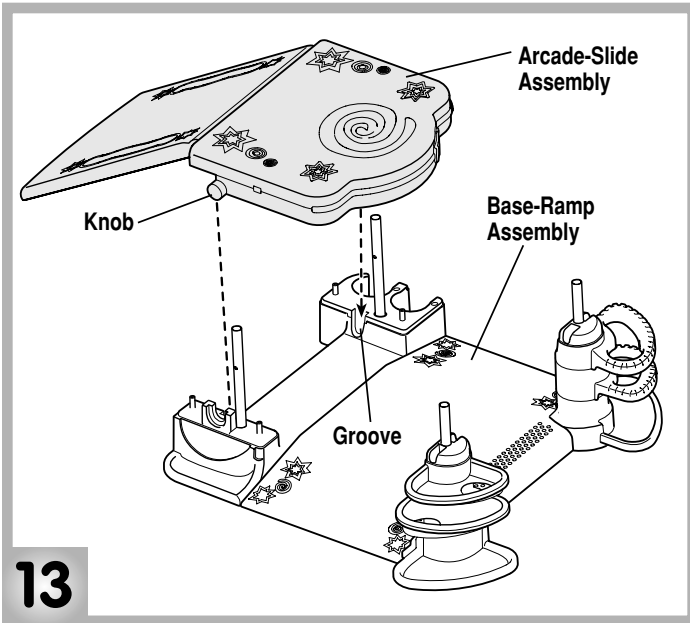
12

- Insert two .625" screws into the support tube and tighten.



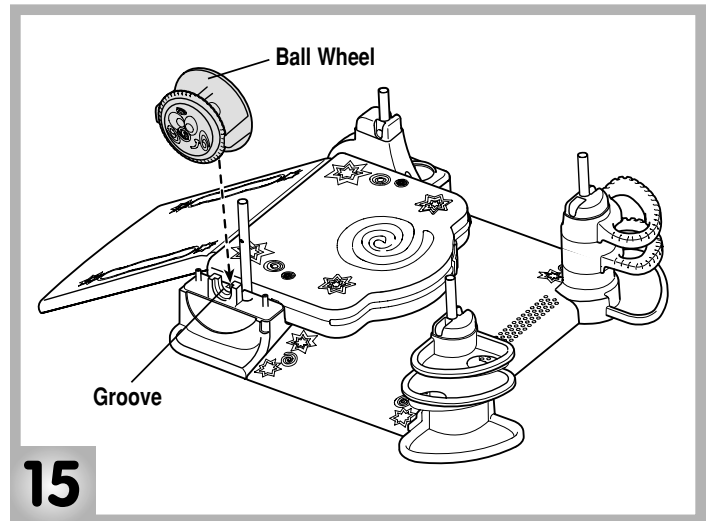
14

- Fit the bracket onto the base, so that the end of the support tube inserts through it, as shown. Push the bracket down firmly to "snap" it into place.
- Insert two .625" screws into the bracket and tighten.



13

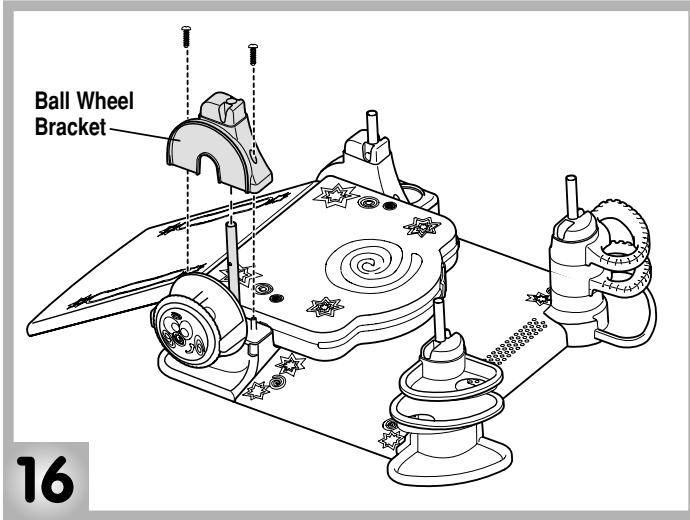
- Turn the base-ramp assembly upright.
- With the arcade-slide assembly facing down, fit the knobs into the grooves in either end of the base-ramp assembly.



15

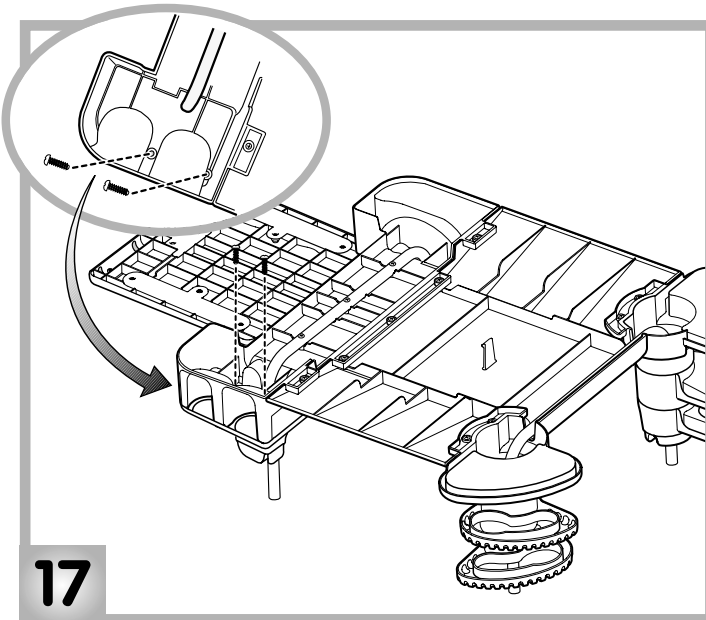
- Fit the ball wheel into the groove on the base, as shown.

Assembly



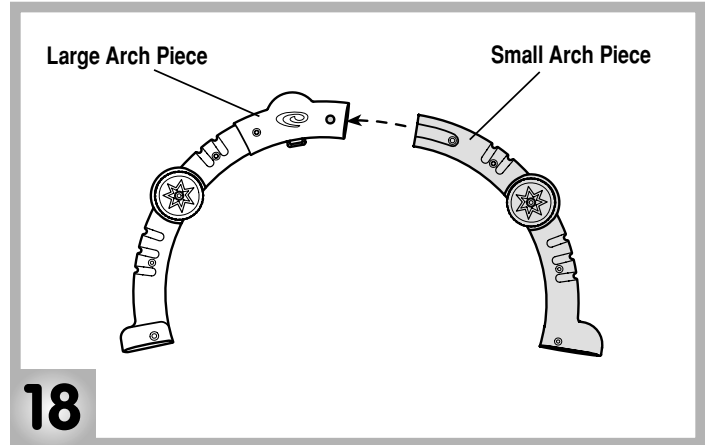
16

- Fit the ball wheel bracket onto the base, so that the end of the support tube inserts through it, as shown. Push the ball wheel bracket down firmly to “snap” it into place.
- Insert two .625" screws into the ball wheel bracket and tighten.



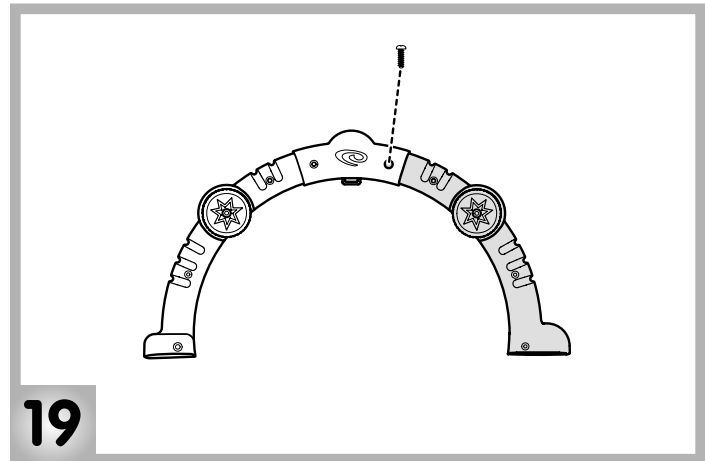
17

- Now, turn the assembly upside-down. Insert two .625" screws into the base and tighten.



18

- Insert a small arch piece into the large arch piece. Push firmly to “snap” into place.

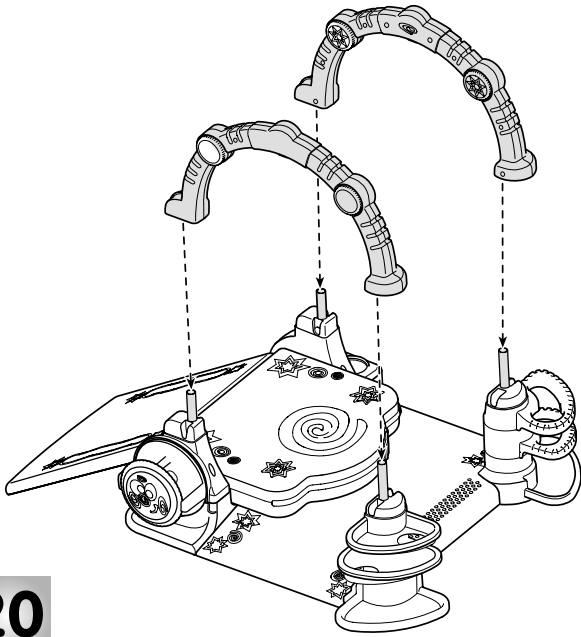


19

- Insert a .625" screw into the arch and tighten. Repeat steps 18 and 19 to assemble the other arch.

Assembly

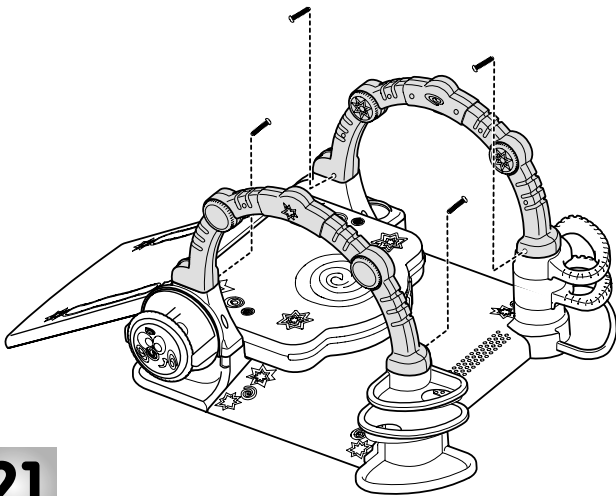
20



- Align the ends of the arches with the tops of the ball drops. Fit the arches over the support tubes, as shown. Push the arches down firmly to “snap” them into place.

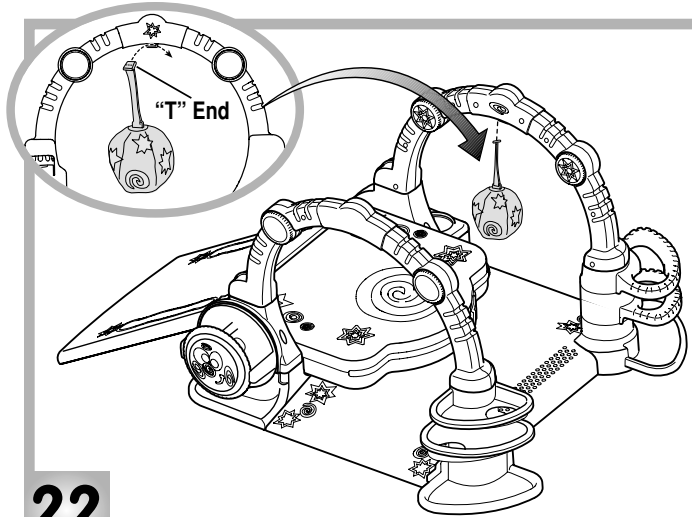
Hint: The arches are designed to fit one way onto the tops of the ball drops. If the arches do not fit onto the ball drops, try turning them around!

21



- Insert a 1.25" screw through the ends of each arch and tighten.

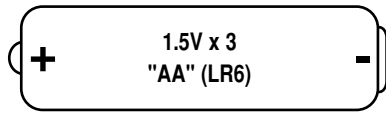
22



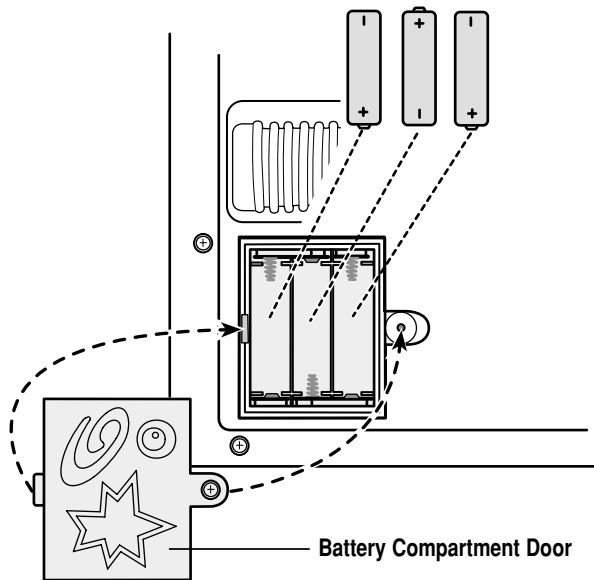
- Lift the plug on the ball. Inflate the ball and quickly close the plug.
Note: Do not over-inflate the ball.
- Insert the “T” end of the ball strap through the slot in either arch. Pull the strap to be sure it is secure.

Battery Replacement

Hint: The batteries included are for in-store demonstration purposes only. We recommend replacing the batteries that came with this toy with three, new **alkaline** batteries. Use **alkaline** batteries for longer battery life!



SHOWN ACTUAL SIZE



- Locate the battery compartment door on the front of the arcade.
- Loosen the screw in the battery compartment door. Remove the battery compartment door.
- Insert three "AA" (LR6) **alkaline** batteries.
- Replace the battery compartment door and tighten the screw.

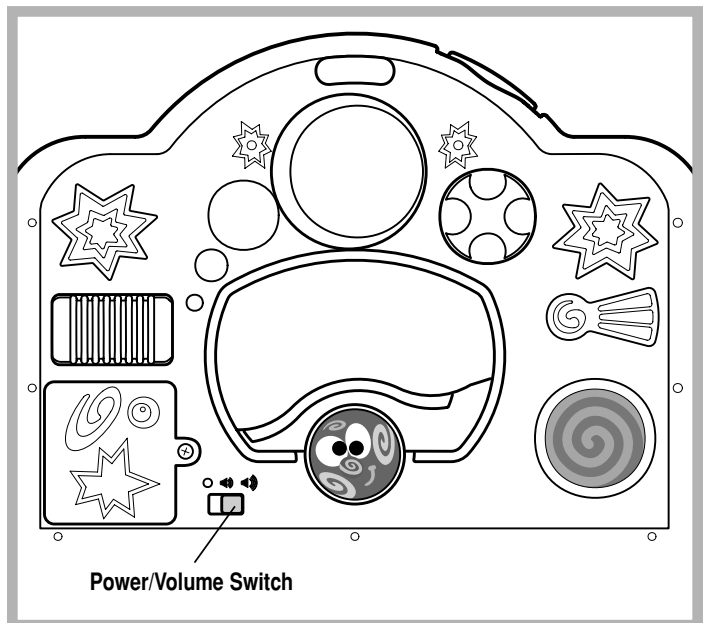
Hint: When sounds or lights from this toy become faint or stop, it's time for an adult to change the batteries!

Battery Safety Information

Batteries may leak fluids that can cause a chemical burn injury or ruin your toy. To avoid battery leakage:

- Do not mix old and new batteries or batteries of different types: alkaline, standard (carbon-zinc) or rechargeable (nickel-cadmium).
- Insert batteries as indicated inside the battery compartment.
- Remove batteries during long periods of non-use. Always remove exhausted batteries from the toy. Dispose of batteries safely. Do not dispose of batteries in a fire. The batteries may explode or leak.
- Never short-circuit the battery terminals.
- Use only batteries of the same or equivalent type, as recommended.
- Do not charge non-rechargeable batteries.
- Remove rechargeable batteries from the toy before charging.
- If removable, rechargeable batteries are used, they are only to be charged under adult supervision.

Power/Volume Switch



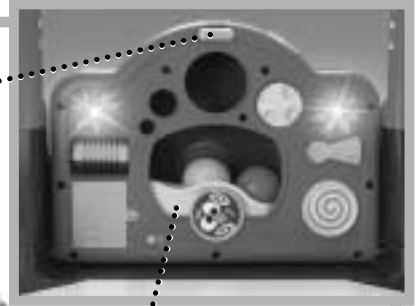
- Slide the power/volume switch to off ; on with low volume ; or on with high volume .
- Slide the power/volume switch to the off position when not in use.

Stage 1 – Crawl

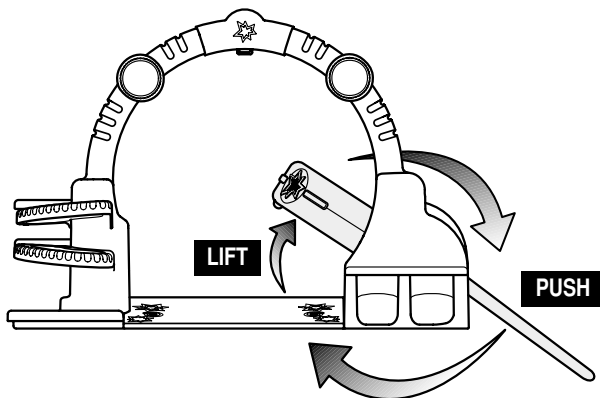
Hanging inflatable ball for batting fun.

Fit balls in any ball drop and watch them roll.

Press for sounds, music and lights.



Push the teeter-totter for fun sounds and lights too!

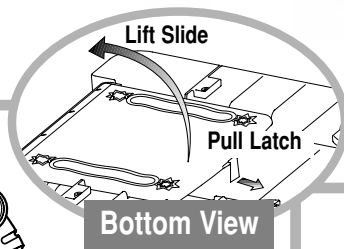


Side View

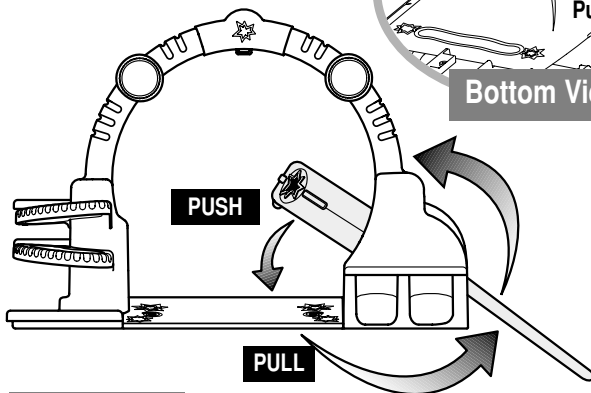
- Turn the unit on its side.
- Lift the arcade.
- Hint: This will require a lot of force.*
- Push the slide under the base and “snap” it into place.

Stage 2 – Slide

Press the “step” for moving lights, sounds and music.



Bottom View



Side View

- Turn the unit on its side.
- Pull the latch to release the slide.
- Push and “snap” the arcade into place.

Consumer Information

Questions? We'd like to hear from you!

Call Fisher-Price® Consumer Relations, toll-free at **1-800-432-5437**, 8 AM - 6 PM EST Monday through Friday. Hearing-impaired consumers using TTY/TDD equipment, please call 1-800-382-7470.

Or, write to:

Fisher-Price® Consumer Relations
636 Girard Avenue
East Aurora, New York 14052, U.S.A.

For countries outside the United States:

CANADA

Questions? **1-800-567-7724**, Mattel Canada Inc., 6155 Freemont Blvd., Mississauga, Ontario L5R 3W2.

GREAT BRITAIN

Mattel UK Ltd. Vanwall Business Park, Maidenhead SL6 4UB. Helpline: 01628 500302.

AUSTRALIA

Mattel Australia Pty. Ltd., 658 Church Street, Locked Bag #870, Richmond, Victoria 3121 Australia. Consumer Advisory Service 1300 135 312.

NEW ZEALAND

16-18 William Pickering Drive, Albany 1331, Auckland.

ASIA

Mattel East Asia Ltd, Room 1106, South Tower, World Finance Centre, Harbour City, Tsimshatsui, HK, China.

Care

Wipe this toy with a clean cloth dampened with a mild soap and water solution. Do not immerse this toy. This toy has no consumer replaceable parts. Do not take this toy apart.

FCC Statement (United States Only)

Note: This equipment has been tested and found to comply with the limits for a Class B digital device, pursuant to Part 15 of the FCC Rules. These limits are designed to provide reasonable protection against harmful interference in a residential installation. This equipment generates, uses and can radiate radio frequency energy and, if not installed and used in accordance with the instructions, may cause harmful interference to radio communications.

However, there is no guarantee that interference will not occur in a particular installation. If this equipment does cause harmful interference to radio or television reception, which can be determined by turning the equipment off and on, the user is encouraged to try to correct the interference by one or more of the following measures:

- Reorient or relocate the receiving antenna.
- Increase the separation between the equipment and receiver.
- Connect the equipment into an outlet on a circuit different from that to which the receiver is connected.
- Consult the dealer or an experienced radio/TV technician for help.

Note: Changes or modifications not expressly approved by the manufacturer responsible for compliance could void the user's authority to operate the equipment.