

Fisher & Paykel

Freestanding range

OR30SDPWGX model

Cuiseur indépendant

OR30SDPWGX model

User guide

Guide d'utilisation

US CA



WARNING !

To reduce the risk of tipping the appliance, the appliance must be secured by properly installed anti-tip device packed with the appliance.

- ALL COOKERS CAN TIP
- INJURY TO PERSONS COULD RESULT
- INSTALL ANTI-TIP DEVICE PACKED WITH COOKER
- SEE INSTALLATION INSTRUCTIONS



WARNING !

If the information in this manual is not followed exactly, a fire or explosion may result causing property damage, personal injury, or death.

- Do not store or use gasoline or other flammable vapors and liquids in the vicinity of this or any other appliance.
- NEVER use this appliance as a space heater to heat or warm the room. Doing so may result in carbon monoxide poisoning and overheating of the appliance.
- WHAT TO DO IF YOU SMELL GAS:
 - Do not try to light any appliance.
 - Do not touch any electrical switch.
 - Do not use any phone in your building.
 - Immediately call your gas supplier from a neighbor's phone. Follow the gas supplier's instructions.
 - If you cannot reach your gas supplier, call the fire department.
- Installation and service must be performed by a qualified installer, service agency, or the gas supplier.

GAS/ELECTRIC COOKER

for residential use only



USERS OPERATING INSTRUCTIONS

IMPORTANT - PLEASE READ AND FOLLOW

- Before beginning, please read these instructions completely and carefully.
- Do not remove permanently affixed labels, warnings, or plates from the product. This may void the warranty.
- Please observe all local and national codes and ordinances.
- Please ensure that this product is properly grounded.
- The electrical plug should always be accessible.
- **The installer should leave these instructions with the consumer who should retain for local inspector's use and for future reference.**

Installation must conform with local codes or in the absence of codes, the National Fuel Gas Code ANSI Z223.1/NFPA 54 - latest edition. Electrical installation must be in accordance with the National Electrical Code, ANSI/NFPA70 - latest edition and/or local codes.

IN CANADA: Installation must be in accordance with the current CAN/CGA-B149.1 National Gas Installation Code or CAN/CGA-B149.2, Propane Installation Code and/or local codes. Electrical installation must be in accordance with the current CSA C22.1 Canadian Electrical Codes Part 1 and/or local codes.

INSTALLATION IN MANUFACTURED (MOBILE) HOME: The installation must conform with the Manufactured Home Construction and Safety Standard, Title 24 CFR, Part 3280 [formerly the Federal Standard for Mobile Home Construction and Safety, Title 24, HUD (Part 280)] or, when such standard is not applicable, the Standard for Manufactured Home Installations, ANSI/NCSBCS A225.1, or with local codes where applicable.

INSTALLATION IN RECREATIONAL PARK TRAILERS: The installation must conform with state or other codes or, in the absence of such codes, with the Standard for Recreational Park Trailers, ANSI A119.5.

Installation of any gas-fired equipment should be made by a licensed plumber. A manual shut-off valve must be installed in an accessible location in the gas line external to the appliance for the purpose of turning on or shutting off gas to the appliance (In Massachusetts such shutoff devices should be approved by the Board of State Examiners of Plumbers & Gas Fitters).

If an external electrical source is utilized, the appliance, when installed, must be electrically grounded in accordance with local codes or, in the absence of local codes, with the national Electrical Code, ANSI/NFPA 70.

Some models are supplied with a protective film on steel and aluminium parts. This film must be removed before installing/using the appliance.

THIS COOKER IS FOR RESIDENTIAL USE ONLY

Dear Customer,

Thank you for having purchased and given your preference to our product.

The safety precautions and recommendations reported below are for your own safety and that of others. They will also provide a means by which to make full use of the features offered by your appliance.

Please preserve this booklet carefully. It may be useful in future, either to yourself or to others in the event that doubts should arise relating to its operation.

This appliance must be used only for the task it has explicitly been designed for, that is for cooking foodstuffs. Any other form of usage is to be considered as inappropriate and therefore dangerous.

The manufacturer declines all responsibility in the event of damage caused by improper, incorrect or illogical use of the appliance.



WARNING!!

The Governor of California is required to publish a list of substances known to the state of California to cause cancer or reproductive harm and requires businesses to warn customers of potential exposures to such substances.

WARNING!: Gas appliances contain or produce substances which can cause death or serious illness and which are known to the State of California to cause cancer, birth defects or other reproductive harm. To reduce the risk from substances in fuel or from fuel combustion, make sure this appliance is installed, operated, and maintained according to the manufacturer's instructions.

This appliance is designed and manufactured solely for the cooking of domestic (household) food and is not suitable for any non-domestic application and therefore should not be used in a commercial environment.

The appliance warranty will be void if the appliance is used within a non-domestic environment i.e. a semi commercial, commercial or communal environment.

USER INSTRUCTIONS

GENERAL INFORMATION



WARNING!!

1. **This appliance shall not be used for space heating. This information is based on safety considerations.**
2. To eliminate risk of burns or fire by reaching over heated surface units, cabinet storage located above the surface units should be avoided.
3. All openings in the wall behind the appliance and in the floor under the appliance shall be sealed.
4. Keep appliance area clear and free from combustible materials, gasoline, and other flammable vapors.
5. Do not obstruct the flow of combustion and ventilation air.
6. Disconnect the electrical supply to the appliance before servicing.
7. When removing appliance for cleaning and/or service;
 - A. Shut off gas at main supply.
 - B. Disconnect AC power supply.
 - C. Disconnect gas line to the inlet pipe.
 - D. Carefully remove the cooker by pulling outward.

CAUTION: Cooker is heavy; use care in handling.
8. **Electrical Requirement**
Electrical installation should comply with national and local codes.
9. **Air Supply and Ventilation**
The installer must refer to local/national codes.
10. **Gas Manifold Pressure**
Natural gas - 4.0" W.C.P.
LP/Propane - 11.0" W.C.P.
11. The misuse of oven door (e.g. stepping, sitting, or leaning on them) can result in potential hazards and/or injuries.
12. When installing or removing the cooker for service, a rolling lift jack should be used. Do not push against any of the edges of the cooker in an attempt to slide it into or out of the installation. Pushing or pulling a cooker (rather than using a lift jack) also increases the possibility of bending the leg spindles or the internal coupling connectors.



WARNING!!

ELECTRICAL GROUNDING INSTRUCTIONS

The cooker must be electrically grounded in accordance with local codes or, in the absence of local codes, with the National Electrical Code, ANSI/NFPA No. 70-latest edition, in Canada Canadian Electrical Code.

Installation should be made by a licensed electrician.

FOR PERSONAL SAFETY, THIS APPLIANCE MUST BE PROPERLY GROUNDED.

If an external electrical source is utilized, the installation must be electrically grounded in accordance with local codes or, in the absence of local codes, with the national Electrical Code, ANSI/NFPA 70.

This appliance is equipped with a four-prong grounding plug (NEMA 14-50P) for your protection against shock hazard and should be plugged directly into a properly grounded socket.

Do not under any circumstances cut or remove the fourth (ground) prong from the power plug.


REPLACEMENT PARTS

Only authorized replacement parts may be used in performing service on the cooker. Replacement parts are available from factory authorized parts distributors. Contact the nearest parts distributor in your area.

IMPORTANT PRECAUTIONS AND RECOMMENDATIONS

After having unpacked the appliance, check to ensure that it is not damaged.

In case of doubt, do not use it and consult your supplier or a professionally qualified technician.

Packing elements (i.e. plastic bags, polystyrene foam, nails, packing straps, etc.) should not be left around within easy reach of children, as these may cause serious injuries. The packaging material is recyclable and is marked with the recycling symbol .

- Do not attempt to modify the technical characteristics of the appliance as this may become dangerous to use.
- Do not carry out cleaning or maintenance operations on the appliance without having previously disconnected it from the electric power supply.
- After use, ensure that the dials are in **OFF** position.
- Do not allow children or other incapable people to use the appliance without supervision.
- During and after use of the cooker, certain parts will become very hot. Do not touch hot parts.
- Keep children away from the cooker when it is in use.
- Some models are supplied with a protective film on steel and aluminium parts. This film must be removed before installing/using the appliance.
- Fire risk! Do not store flammable material in the oven and in the warming drawer.
- Make sure that electrical cables connecting other appliances in the proximity of the cooker cannot come into contact with the hob or become entrapped in the oven door.
- Do not line the oven walls with aluminium foil. Do not place shelves, broiler pan, pans or other cooking utensils on the base of the oven chamber.
- The manufacturer declines all liability for injury to persons or damage to property caused by incorrect or improper use of the appliance.
- To avoid any possible hazard, the appliance must be installed by qualified personnel only. Any repairs by unqualified persons may result in electric shock or short circuit. In order to avoid possible injuries to your body or to the appliance, do not attempt any repairs by yourself. Such work should be carried out by qualified service personnel only.
- Danger of burns! The oven and cooking accessories may become very hot during operation. Make sure children are kept out of reach and warn them accordingly. To avoid burns use kitchen cloths and gloves when handling hot parts or utensils.
- Stand away from the cooker when opening oven door. Hot air or steam which escapes can cause burns to hands, face, and/or eyes.
- Never clean the cooker, oven and the warming drawer with a high-pressure steam cleaning device, as it may provoke a short circuit.
- In the case of a prolonged power failure:
 - the top burners can be used with no restriction. In that case follow the instructions in the chapter "How to use the top burners".
 - if the oven door is locked during a self cleaning cycle, it remains locked as long as the power is restored and if the oven cavity has cooled to a temperature lower than 570°F (300°C). Pay special attention not to touch the front hot surfaces of the appliance and keep children well out of reach.
- This appliance is intended for use in your household. Never use the appliance for any other purpose!
- If you should decide not to use this appliance any longer (or decide to substitute an older model), before disposing of it, it is recommended that it be made inoperative in an appropriate manner in accordance to health and environmental protection regulations, ensuring in particular that all potentially hazardous parts be made harmless, especially in relation to children who could play with old appliances. Remove the door and the warming drawer before disposal to prevent entrapment.

IMPORTANT PRECAUTIONS AND RECOMMENDATIONS FOR USE OF ELECTRICAL APPLIANCES

Use of any electrical appliance implies the necessity to follow a series of fundamental rules.

In particular:

- Never touch the appliance with wet hands or feet.
- Do not operate the appliance barefooted.
- Do not allow children or disabled people to use the appliance without your supervision.

The manufacturer cannot be held responsible for any damages caused by improper, incorrect or unreasonable use of the appliance.

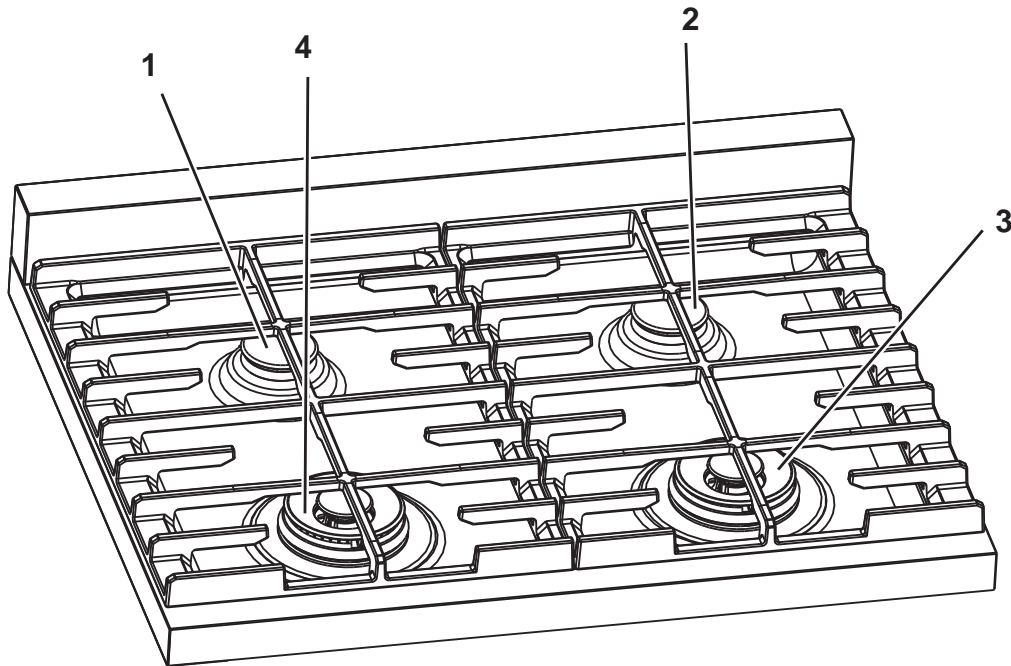


Fig. 1.1

GAS BURNERS

1. Rear left Semi-rapid burner (SR) - 8000 BTU/hr
2. Rear right Semi-rapid burner (SR) - 8000 BTU/hr
3. Front right Dual burner (D) - 17000 BTU/hr
4. Front left Dual burner (D) - 17000 BTU/hr

Note:

- The electric gas-lighting device is incorporated into the dials.
- The appliance has a safety valve system fitted.
The flow of gas will stop if and when the flame should accidentally go out.

CAUTION:

If the burner is accidentally extinguished, turn the gas off at the control dial and wait at least 1 minute before attempting to relight.

CAUTION:

Gas appliances produce heat and humidity in the environment in which they are installed. Ensure that the cooking area is well ventilated following national/local codes.

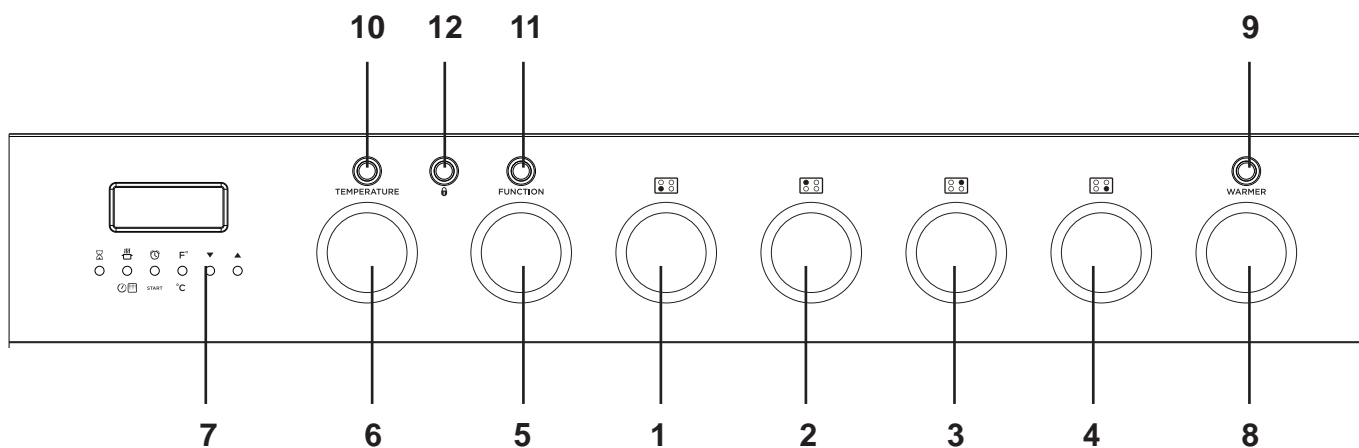


Fig. 1.2

CONTROLS DESCRIPTION

Gas cooking hob controls:

1. Front left burner (4) control dial
2. Rear left burner (1) control dial
3. Rear right burner (2) control dial
4. Front right burner (3) control dial

Oven controls:

5. Function selector dial
6. Temperature dial (potentiometer)
7. Electronic programmer
8. Warming drawer control dial
9. Warming drawer on pilot light
10. Oven heating pilot light
11. Oven on pilot light
12. Door locked pilot light

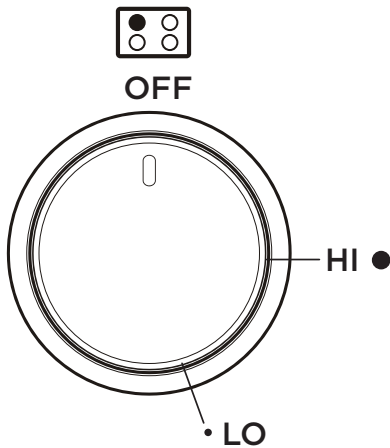
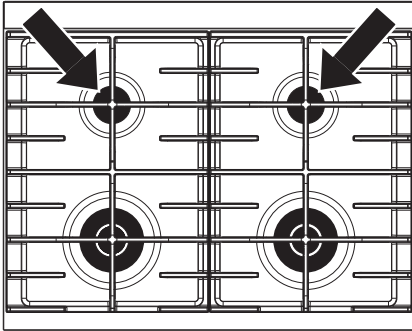
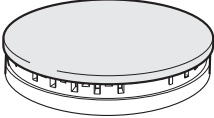
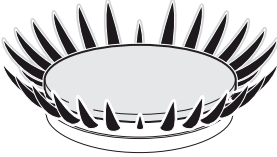



Fig. 2.1

GAS BURNERS (Semi-rapid)

Gas flow to the burners is adjusted by turning the dials (illustrated in fig. 2.1) which control the valves.

Turning the dial so that the symbols printed on the dial point to the mark on the bezel achieves the following functions:

Dial position	Function	SEMI-RAPID burners
OFF	closed valve	
HI ●	maximum rate	
• LO	minimum rate	

The maximum aperture position permits rapid boiling of liquids, whereas the minimum aperture position allows simmer warming of food or maintaining boiling conditions of liquids.

To reduce the gas flow to minimum, rotate the dial further counter-clockwise to point the indicator towards the **LO** position (minimum rate).

Other intermediate operating adjustments can be achieved by positioning the indicator between the maximum and minimum aperture positions, and never between the maximum aperture and **OFF** position.

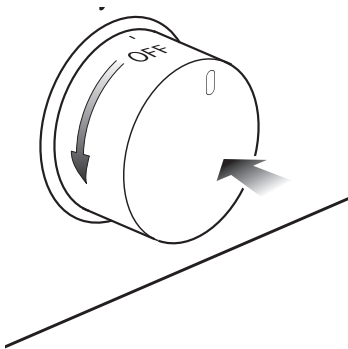


Fig. 2.2

N.B. When the cooker is not being used, set the gas dials to their OFF positions and also close the gas shut-off valve placed on the main gas supply line.

LIGHTING GAS BURNERS FITTED WITH FLAME FAILURE SAFETY DEVICE (Semi-rapid burners)

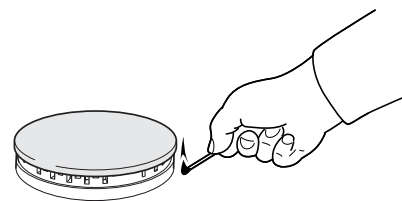
In order to light the burner, you must:

1. Push and turn the dial in a counter-clockwise direction up to the **HI** position (maximum rate), push in and hold the dial until the flame has been lit (fig. 2.2). The sparks produced by the lighter situated inside the relative burner will light the flame.
In the event that the local gas supply conditions makes it difficult to light the burner in **HI** position (maximum rate), try again with the dial in **LO** position (minimum rate).
2. Wait for about ten seconds after the gas burner has been lit before letting go the dial (safety device activation delay).
3. Adjust the gas valve to the desired position.

If there is no mains electrical supply, the burners can be used with no restriction.

In that case, in order to light the burner, you must:

1. Bring a lighted match close to the burner (as per side figure) and keep it in place until the burner has been ignited.
2. Push and turn the dial in a counter-clockwise direction up to the **HI** position (maximum rate), push in and hold the dial until the flame has been lit (fig. 2.2).
In the event that the local gas supply conditions makes it difficult to light the burner in **HI** position (maximum rate), try again with the dial in **LO** position (minimum rate).
3. Wait for about ten seconds after the gas burner has been lit before letting go the dial (safety device activation delay).
4. Adjust the gas valve to the desired position.



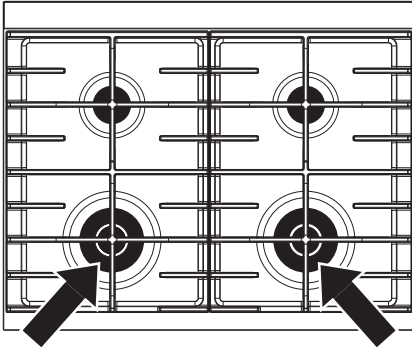
If the burner flame should go out for some reason, the safety valve will automatically stop the gas flow.

To re-light the burner, return the dial to the closed **OFF** position, wait for at least 1 minute and then repeat the lighting procedure.

If your local gas supply makes it difficult to light the burner with the dial set to maximum, set the dial to minimum and repeat the operation.

Caution!

The cooker becomes very hot during operation.
Keep children well out of reach.



GAS BURNERS (Dual)

The Dual Burner is a very flexible burner which allows different regulations for optimal cooking.

It is composed by one inner and one outer crown; the flame of the inner crown can be regulated separately from the flames of the outer crown.

The Dual Burner can be used:

- As a high-power burner (all flames produced simultaneously by inner and outer crown) which can be adjusted from the maximum (HI ●) to the minimum (● LO) position.
Intermediate operating adjustments can be achieved by positioning the indicator between the maximum and minimum opening positions, and never between the maximum opening and OFF position.
- As a small burner (flame produced only by the inner crown) which can be adjusted from the maximum (HI ●) to the minimum (● LO) position.

Gas flow to the burners is adjusted by turning the dials (illustrated in fig. 2.3) which control the valves.

Turning the dial so that the symbols printed on the dial point to the mark on the bezel achieves the following functions:

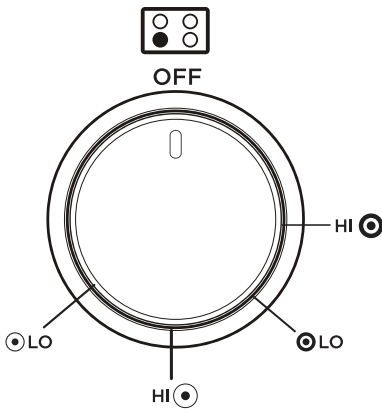


Fig. 2.3

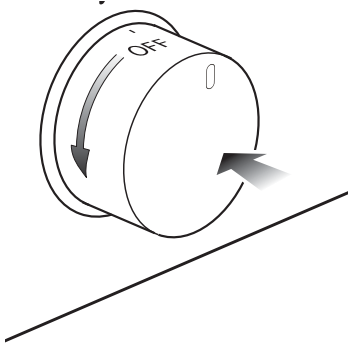


Fig. 2.4

Dial position	Function	DUAL burners
OFF	closed valve	
HI ●	Maximum rate of inner + outer crown (inside and outside flames in simultaneously at the maximum)	
● LO	Minimum rate of outer crown and maximum rate of inner crown	
HI ●	Maximum rate of inner crown (only inner flame at the maximum)	
● LO	Minimum rate of inner crown (only inner flame at the minimum)	

LIGHTING GAS BURNERS FITTED WITH FLAME FAILURE SAFETY DEVICE (Dual burners)

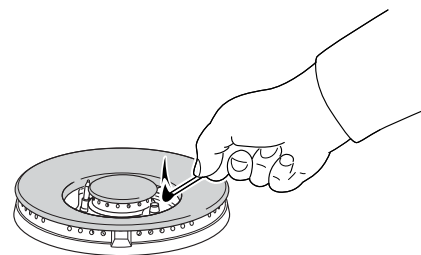
In order to light the burner, you must:

1. Push and turn the dial in an counter-clockwise direction up to the position **HI** (maximum rate of inner + outer crown); push in and hold the dial until the flame has been lit (fig. 2.4).
The sparks produced by the lighter situated inside the relative burner will light the flame.
In the event that the local gas supply conditions makes it difficult to light the burner in position **HI**, try again with the dial in position **LO**.
2. Wait for about ten seconds after the gas burner has been lit before letting go the dial (safety device activation delay).
3. Adjust the gas valve to the desired position.

If there is no mains electrical supply, the burners can be used with no restriction.

In that case, in order to light the burner, you must:

1. Bring a lighted match close to the burner (as per side figure) and keep it in place until the burner has been ignited.
2. Push and turn the dial in an counter-clockwise direction up to the position **HI** (maximum rate of inner + outer crown); push in and hold the dial until the flame has been lit (fig. 2.4).
In the event that the local gas supply conditions makes it difficult to light the burner in position **HI**, try again with the dial in position **LO**.
3. Wait for about ten seconds after the gas burner has been lit before letting go the dial (safety device activation delay).
4. Adjust the gas valve to the desired position.



If the burner flame should go out for some reason, the safety valve will automatically stop the gas flow.

To re-light the burner, return the dial to the closed **OFF** position, wait for at least 1 minute and then repeat the lighting procedure.

If your local gas supply makes it difficult to light the burner with the dial set to maximum, set the dial to minimum and repeat the operation.

N.B. When the cooker is not being used, set the gas dials to their OFF positions and also close the gas shut-off valve placed on the main gas supply line.

Caution!

The cooker becomes very hot during operation.
Keep children well out of reach.

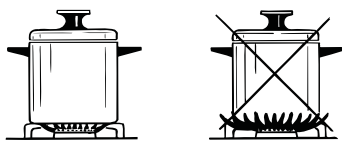


Fig. 2.5

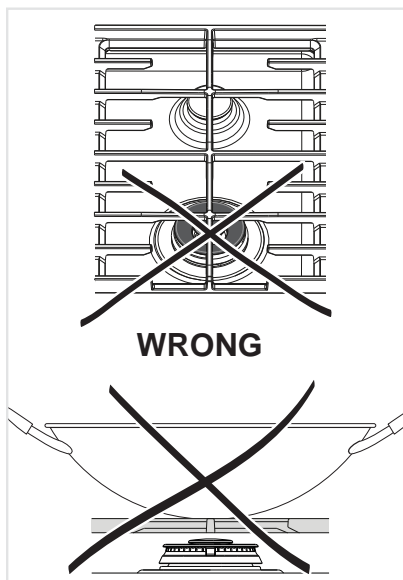


Fig. 2.6a

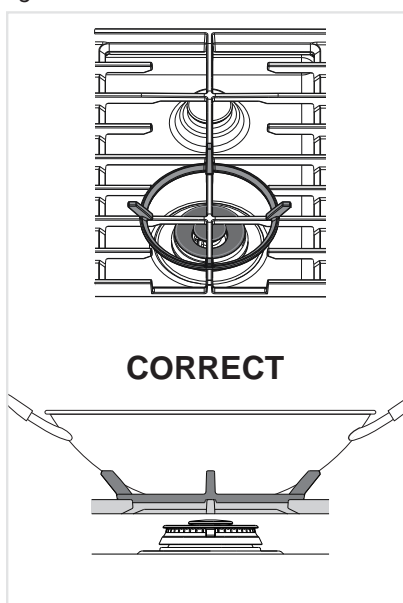


Fig. 2.6b

CHOICE OF BURNER (fig. 2.5)

The symbols or wordings printed on the panel above the gas dials indicate the correspondence between the dial and the burner.

The most suitable burner is to be chosen according to the diameter and volume capacity of the container to be warmed.

It is important that the diameter of the pots or pans suitably match the heating potential of the burners in order not to jeopardise the efficiency of the burners, bringing about a waste of gas fuel.

A small diameter pot or pan placed on a large burner does not necessarily mean that boiling conditions are reached quicker.

DIAMETERS OF PANS WHICH MAY BE USED ON THE HOB BURNERS

BURNER	MINIMUM	MAX.
Semi-rapid	16 cm (6" 19/64)	24 cm (9" 7/16)
Dual	26 cm (10" 3/16)	28 cm (11" 1/16)
Wok pans min 36 cm (14" 3/16) - max 40 cm (15" 3/4)		
Do not use pans with concave or convex bases		

CORRECT USE OF DUAL BURNER (Fig. 2.6a - 2.6b)

The flat-bottomed pans are to be placed directly onto the pan-support.

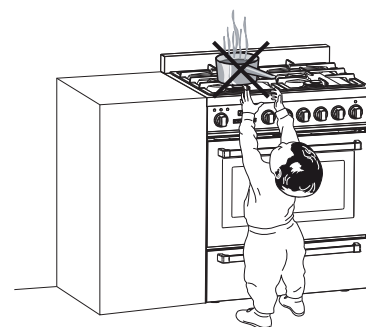
When using a WOK you need to place the supplied wok support on the pan supports for the burner to avoid any faulty operation of the Dual burner (Figs. 2.6a - 2.6b).

IMPORTANT:

The special support for wok pans (fig. 2.6b) **MUST BE PLACED ONLY** over the pan-rest for the Dual burner.



Ensure that the handles of cookware do not stick out over the edge of the range, to avoid them being knocked over by accident. This also makes it more difficult for children to reach the cooking vessels.



GENERAL FEATURES

The warming drawer is fitted with an heating element (500 W) in the top.

The heating can be regulated from 86°F (30°C) [**LO** min position] to 203°F (95°C) [**HI** max position].

USING THE WARMING DRAWER FOR THE FIRST TIME

- Switch on the empty warming drawer at maximum power for about 2 hours to remove traces of grease and smells from the components.
- When the warming drawer has cooled down and the cooker has been unplugged, clean the inside of the drawer with a cloth soaked in water and neutral detergent and dry it perfectly.

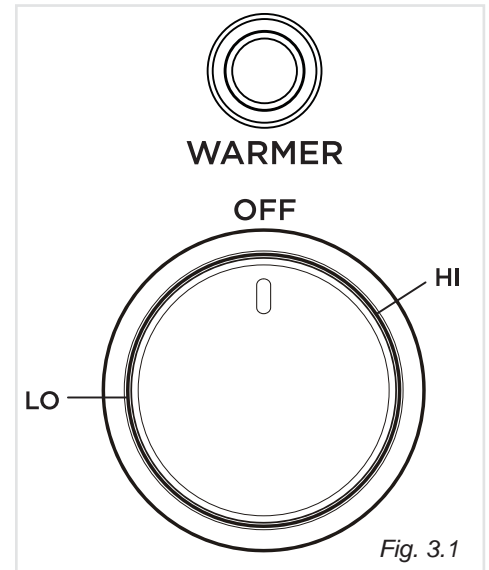
WARNING: The drawer is hot during operation, use the handle.

TO USE THE WARMING DRAWER

- Push and turn the control dial to a temperature setting: **LO** (min), **HI** (max) or between min and max position.
- Allow time for the drawer to be preheated.
- Preheat with rack in place if using that arrangement.
- Preheat empty serving dish while preheating the drawer.
- Add cooked, hot food in a cooking utensil or in a heat-safe serving dishes.
- Food may be kept hot in its cooking container or transferred to a heat-safe serving dish.
- Aluminum foil may be used to cover food.

CORRECT USE OF THE WARMING DRAWER

- The warming drawer will keep hot cooked foods at serving temperature.
- Always start with hot food.
- Do not use to heat cold food other than proofing yeast dough, crisping crackers, chips, and dry cereal. Do not use to heat warming dishes or plates.
- Use care when opening the drawer. Open door a crack and let hot air or steam escape before removing or replacing food.
- Do not place food in unopened containers in the drawer. Pressure could build up and cause container to burst.
- Do not touch the interior surface of the drawer while it is in use. The interior of the drawer could become hot enough to cause burns.
- Use only dry potholders. Moist or damp potholders on hot surfaces may cause burns from steam. Do not use a towel or other bulky cloth in place of potholders. Do not let potholders touch hot heating element located in the upper part of the drawer.
- Do not use aluminum foil to line the drawer. Foil is an excellent heat insulator and will trap heat beneath it. This will upset the performance of the drawer and it could damage the interior finish.
- Do not store flammable materials in the drawer.
- Do not use plastic containers. Do not use non heat resistant containers.
- Do not use the warming drawer as a storage drawer.



WARNING:

The warming drawer is for keeping hot food hot. Never use it to warm or heat a room or to warm plates.

CAUTION: Plastic containers or plastic wrap can melt if in direct contact with the drawer or a hot utensil. If it melts onto the drawer, it may not be able to be removed.

IMPORTANT:

Don't operate the warming drawer during the self-cleaning cycle.

If during self-cleaning cycle the warming drawer control dial has been turned ON return the dial to the OFF (off) position. Otherwise at the end of the self-cleaning cycle and after having turned the oven selector control dial to the OFF (off) position, the warming drawer will operate.

Dial position	°F	°C
LO (min)	86	30
between LO (min) and HI (max)	from 87 to 202	from 31 to 94
HI (max)	203	95

TEMPERATURE SELECTOR

The setting can be anywhere between **LO** (min) and **HI** (max) position.

WARNING LIGHT

The warning light is located above the control dial and turns "ON" when the warming drawer is set. It stays on until the dial is turned back to the **OFF** (off) position.

REVERSIBLE RACK

The rack can be positioned as per figures 3.2 and 3.3.

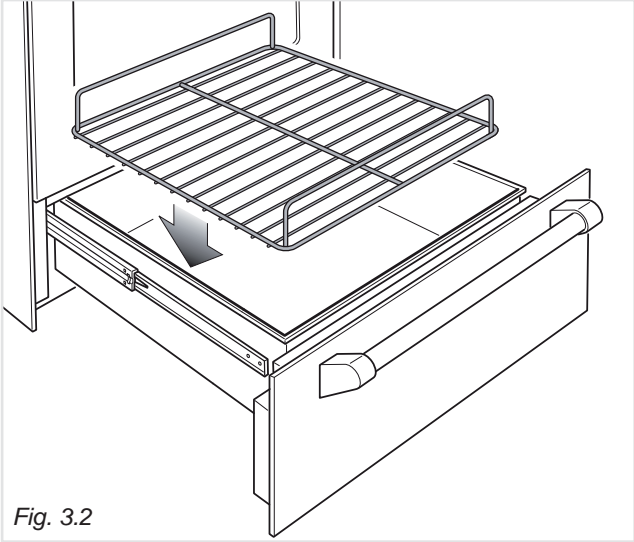


Fig. 3.2

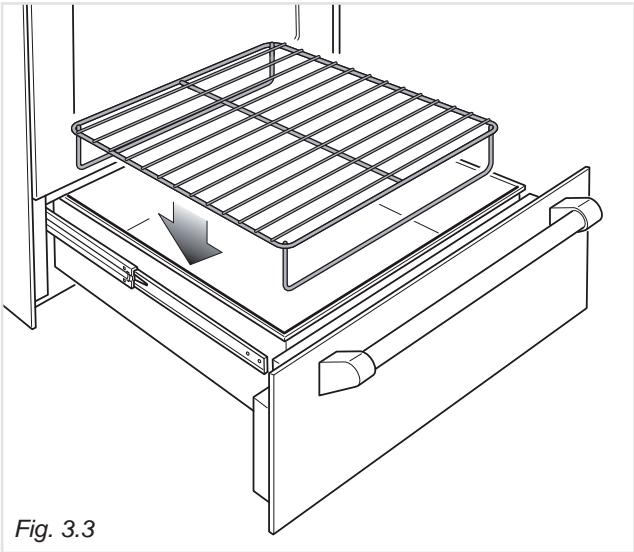


Fig. 3.3

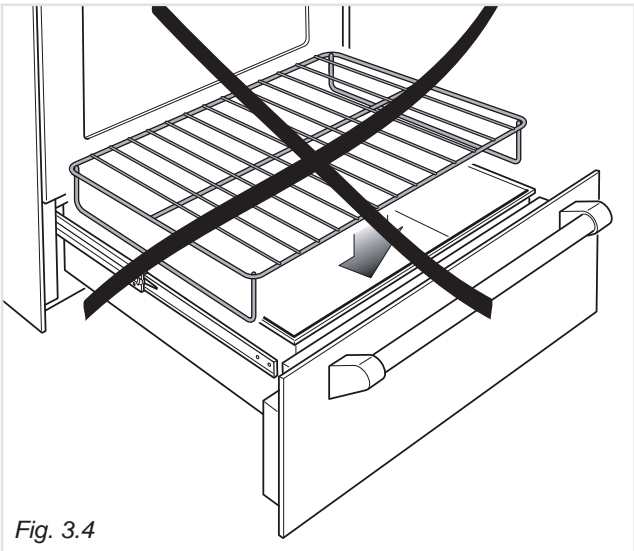


Fig. 3.4

GENERAL FEATURES

The oven has special operating features.

Five different functions can be used to satisfy all cooking needs; it also has a self cleaning function which can clean the oven cavity at high temperature, a defrost function and an oven light function.

These functions are managed by an electronic programmer which keeps the temperature set constant by means of a probe inside the oven cavity.

The oven has the following heating elements:



- Lower heating element (double) 550 + 1750 W
- Upper heating element 1200 W
- Grill heating element 2850 W
- Circular heating element 2450 W

NOTES ON OVEN OPERATION

A cooling fan starts automatically when selecting a cooking function, defrost or self cleaning mode.

It stops when turning the selector dial to **OFF** position or  and the inside oven cavity temperature drops below 150°C (302°F).

The purpose of this fan is to reduce the temperature inside/outside the appliance.

Note: The first time the oven is used or after a black-out the programmer must be started by pressing keys  and  simultaneously. See the section on the use of the electronic programmer.

USING THE OVEN FOR THE FIRST TIME

- Put in the shelf and the tray.
- Switch the oven on empty (on a cooking function – NOT SELF CLEANING) at maximum power for about 2 hours to remove traces of grease and smells from the components.
- When the oven has cooled down and unplugging the cooker, clean the inside of the oven with a cloth soaked in water and neutral detergent and dry it perfectly.

WARNING:

The door is hot, use the handle.

OPERATING PRINCIPLES

Heating and cooking in the multifunction self cleaning oven takes place as follows:

- **by normal convection**
The heat is produced by the upper and lower heating elements.
- **by semi-forced convection**
The heat produced by the upper and lower heating elements is distributed throughout the oven by the fan.
- **by forced convection**
The heat produced by the circular element is distributed throughout the oven by the fan.
- **by radiation**
The heat is radiated by the infra red broil element.
- **by radiation and fan**
The radiated heat from the infra red broil element is distributed throughout the oven by the fan.
- **by ventilation**
The food is defrosted by using the fan only function without heat.
THIS IS NOT A COOKING FUNCTION
- **by self cleaning**
The heat produced by the heating elements cleans the internal oven cavity removing all residue of grease.
THIS IS NOT A COOKING FUNCTION

ATTENTION: The oven door becomes very hot during operation. Keep children away.

VERY IMPORTANT:

The oven shall be always used with the door closed.

NEVER USE THE COOKER WHEN THE OVEN IS OPERATING IN SELF CLEANING MODE.

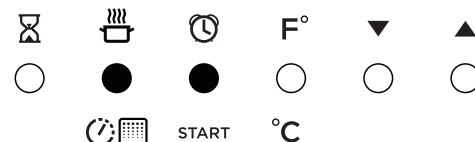
DO NOT OPERATE THE TOP BURNERS.

WHEN THE SELF CLEANING MODE HAS BEEN COMPLETED: Do not immediately start a new self cleaning cycle. LET THE COOKER TO COOL DOWN.

IMPORTANT:

DON'T OPERATE THE WARMING DRAWER DURING THE SELF-CLEANING CYCLE.

If during self-cleaning cycle the warming drawer control dial has been turned ON return the dial to the OFF position. Otherwise at the end of the self-cleaning cycle and after having turned the oven selector control dial to the OFF position, the warming drawer will operate.



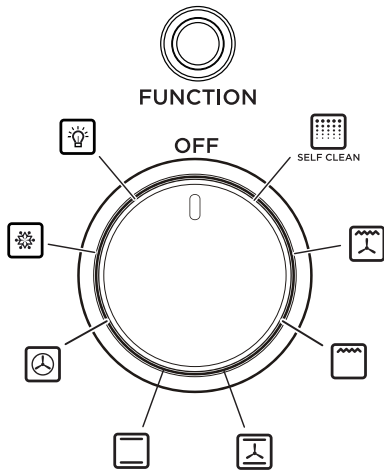



Fig. 4.1

SELECTING THE FUNCTIONS (figs. 4.1, 4.2a, 4.2b)

The function is selected by turning the function selector dial and matching the marking on the dial with the reference mark on the bezel.

IMPORTANT NOTE FOR THE COOKING FUNCTIONS: Once selecting the function and temperature (the temperature flashes on the programmer display - fig. 4.2a), press button **START** on the programmer to start the cooking (temperature and symbol  steady lit on the programmer display - fig. 4.2b).

Important: In all cooking functions the oven must always be used with the DOOR CLOSED.



If the door stays open “door” flashes on the programmer display and after some minutes an audible warning sounds for about 30 seconds. To silence the audible warning press any programmer button.

NOTE: The heating elements work even with the door open and this signal just indicates that energy is being wasted and the control panel/dials are being excessively heated.

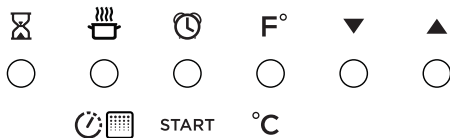
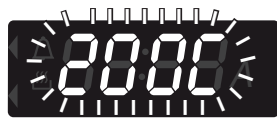


Fig. 4.2a



(Oven Light - This is not a cooking function)

When turning the dial to this position only the oven lamps light up. The lamps are always on during all the cooking functions (except for self cleaning cycle).

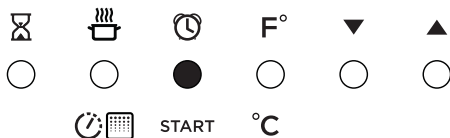
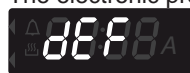


Fig. 4.2b



(Defrosting Frozen Foods - This is not a cooking function)

Only the fan and the oven lamps switch on. Defrosting takes place by fan, without heating. The electronic programmer shows **DEF**.



Recommended for:

To rapidly defrost frozen foods; 2.2 lbs (1 kg) requires about one hour. The defrosting times vary according to the quantity and type of foods to be defrosted.



(Convection Cooking with Ventilation)

The circular element and the fan switch on. The heat from the back is diffused by fan convection. The temperature can be set between 120°F (50°C) and 535°F (280°C). On selecting this function the electronic programmer starts cooking with a pre-heating temperature set at 355°F (180°C). To vary the temperature see the ‘USING THE OVEN’ section.

Recommended for:

For foods of large volume and quantity which require the same internal and external degree of cooking; eg. rolled roasts, turkey, legs, cakes, etc.



(Traditional Convection Cooking)

The upper and lower heating elements switch on.
The heat is diffused by natural convection and the temperature must be set between 120°F (50°C) and 535°F (280°C).
On selecting this function the electronic programmer starts cooking with a pre-heating temperature set at 390°F (200°C). To vary the temperature see the "USING THE OVEN" section.

Recommended for:

For foods which require the same cooking temperature both internally and externally, i. e. roasts, spare ribs, etc.



(Traditional Convection Cooking With Fan)

The upper and lower heating elements and the fan are switched on.
The heat from the top and the bottom is diffused by fan convection.
The temperature can be set between 120°F (50°C) and 535°F (280°C).
On selecting this function the electronic programmer starts cooking with a pre-heating temperature set at 355°F (180°C).
To vary the temperature see the "USING THE OVEN" section.

Recommended for:

For foods of large volume and quantity which require the same internal and external degree of cooking; e.g. rolled roasts, turkey, legs, cakes, etc.



(Broiling)

The infrared heating element switches on.
The heat is diffused by radiation.
The temperature can be set between 120°F (50°C) and 520°F (270°C).
On selecting this function the electronic programmer starts cooking with a pre-heating temperature set at 410°F (210°C).
To vary the temperature see the "USING THE OVEN" section.
For correct use see the "BROILING" section.

Recommended for:

Intense broiling action for cooking with the broiler; browning, crisping, "broiling", toasting, etc.



(Ventilated Broiling)

The infrared heating element and the fan switch on.
The heat is mainly diffused by radiation and the fan distributes it in the whole oven.
The temperature can be set between 120°F (50°C) and 520°F (270°C).
On selecting this function the electronic programmer starts cooking with a pre-heating temperature set at 430°F (220°C).
To vary the temperature see the "USING THE OVEN" section.
For correct use see the "VENTILATED BROILING" section.

Recommended for:

For grill cooking when a fast outside browning is necessary to keep the juices in, i. e. veal steak, steak, hamburger, etc.

CAUTION: During the self cleaning cycle the accessible parts may become hot. Keep children away.

NEVER USE THE COOKER WHEN THE OVEN IS OPERATING IN SELF CLEANING MODE.

DO NOT OPERATE THE TOP BURNERS

IMPORTANT: DO NOT OPERATE THE WARMING DRAWER DURING THE SELF-CLEANING CYCLE

If during self-cleaning cycle the warming drawer control dial has been turned ON return the dial to the OFF position. Otherwise at the end of the self-cleaning cycle and after having turned the oven selector control dial to the OFF position, the warming drawer will operate.

WHEN THE SELF CLEANING MODE HAS BEEN COMPLETED: do not start immediately a new self cleaning cycle on the oven. LET THE COOKER COOL DOWN.

IMPORTANT:

The health of some birds is extremely sensitive to the fumes given off during the self-cleaning cycle.

Exposure to the fumes may result in death to certain birds.

Always move birds to another closed and well ventilated room.



SELF CLEAN (Self Cleaning Function - this is not a cooking function)

IMPORTANT NOTES:


This is not a cooking function but is only used to clean the oven.

Before starting the self cleaning cycle:


- Take all the accessories out of the oven (drip tray and shelves).
- Clean any traces of liquid which have overflowed.
- Close the oven door and make sure that it is closed properly.

If there are cracks or flaws on the oven door glass (inside/outside) or if the gaskets are ruined or worn or if the door does not close perfectly, disconnect the appliance from the electrical supply and contact the Service Centre.

GENERAL INFORMATION

- In this function the residual cooking greases on the inside walls of the oven cavity are pulverised by the high temperature. The fumes produced during this process are filtered by a special catalyst in the upper part of the appliance.
- Smells and fumes produced during self cleaning are not a cause of alarm. Adequate ventilation should however be provided in the room where the cooker is installed, e.g. by opening a window.
- Do not wait for the oven to be very greasy before performing this cleaning. It should not be performed after every cooking, either, but only when the level of dirt justifies it (on average 1 – 2 times a month depending on oven use).
- For safety reasons (high temperature of the oven cavity), when the self cleaning starts the oven door is automatically locked by an electronic device (after a few seconds, on the control panel, the Door Locked  pilot light lights up). The door can no longer be opened and is only unlocked at the end of the cleaning cycle or, stopping the cycle, when the oven cavity has cooled to a temperature lower than 570°F (300°C).
- When the self cleaning function starts an internal fan starts automatically to cool the oven walls. It only stops at the end of the cycle, when the oven cavity temperature has dropped below 302°F (150°C).
- The procedures for starting, stopping and completing the self cleaning cycle and dealing with any problems are described in the following sections:
 - “HOW TO START THE SELF CLEANING CYCLE”;
 - “PROBLEMS ON STARTING AND DURING THE SELF CLEANING CYCLE”;
 - “HOW TO STOP THE SELF CLEANING CYCLE”;
 - “WHAT TO DO WHEN THE SELF CLEANING CYCLE HAS FINISHED”;
 - “ABNORMAL SITUATIONS AND/OR OPERATING PROBLEMS”.

SELECTING °F/°C ON THE DISPLAY

1. Turn the oven selector dial to a cooking function (i.e. .
2. Press ▼ on the programmer (or use the temperature dial) to reduce the temperature until you reach the minimum value (120°F/50°C).
3. Press START on the programmer.
4. Keep $\frac{F^{\circ}}{C^{\circ}}$ (the temperature flashes) until "°F" or "°C" is flashing; then press $\frac{F^{\circ}}{C^{\circ}}$ again to change from °F to °C or vice versa. During selection "°C" or "°F" is flashing.

After selecting °F or °C, turn the oven selector dial to the **OFF** position.

USING THE OVEN (ONLY FOR THE COOKING FUNCTIONS)

The temperature set is shown on the electronic programmer display and can be varied, with 5°F (5°C) intervals, by means of the programmer keys or the temperature dial.

During cooking the oven temperature (°F or °C) is measured by a sensor inside the cavity and is shown on the programmer display until set temperature is reached. If set temperature is less than inside oven temperature, the display shows the set temperature.

1. SELECTING THE COOKING FUNCTION

Turn the selector dial to the cooking function required.

2. SETTING THE COOKING TEMPERATURE

The pre-set temperature appears on the programmer display.

Turn the temperature dial to the right to increase the temperature or to the left to reduce it. Alternatively press ▲ of the programmer to increase the temperature or ▼ to reduce it.

3. START THE COOKING

Press START of the programmer to start the cooking.

IMPORTANT: The cooking does not start if START is not pressed.

4. CHANGING THE SET TEMPERATURE DURING COOKING

The temperature can be changed by using the temperature dial.

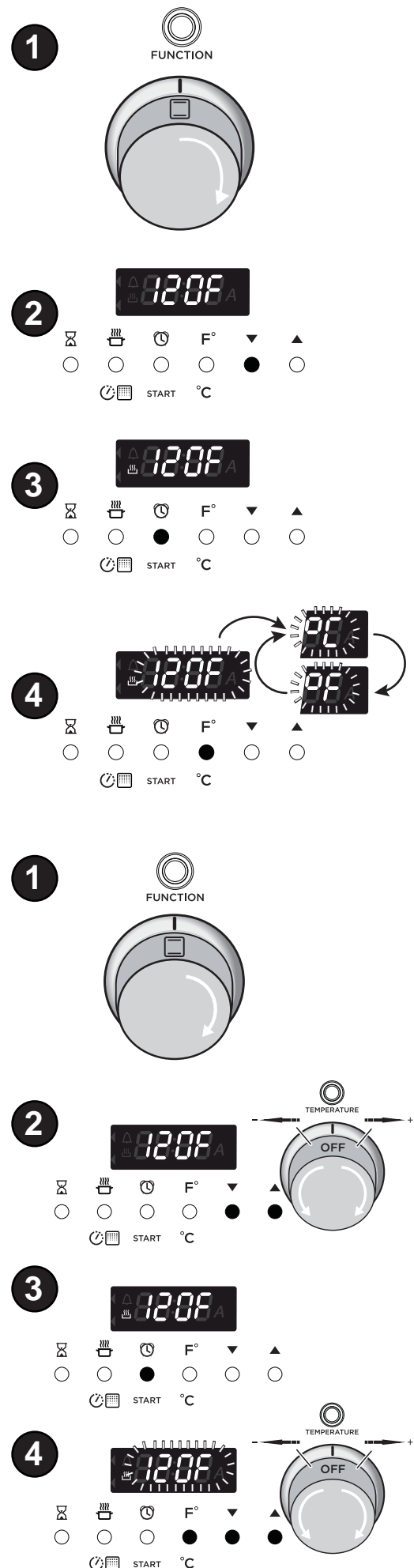
Alternatively it can be changed by using the programmer: press $\frac{F^{\circ}}{C^{\circ}}$ and then ▲ to increase the temperature or ▼ to reduce it.

During the regulation the temperature is flashing.

The minimum temperature which can be set is 120°F (50°C) while the maximum temperature is: 520°F (270°C) for the broiling and ventilated broiling; 535°F (280°C) for the other cooking functions.

SWITCHING OFF

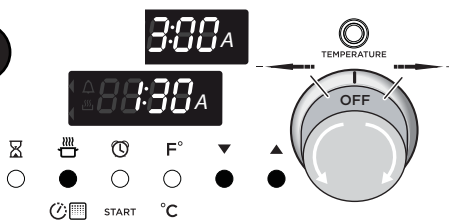
Turn the selector dial to position **OFF** (oven OFF). The programmer display shows the time.



2



3





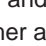
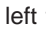


4



HOW TO START THE SELF CLEANING CYCLE

Important: The self cleaning cycle must only be performed with the oven empty; so, before starting the cycle take all the accessories (shelves, drip tray, ...) out of the oven cavity and dry any traces of overflowed liquid.


Do not use any de-greasing products (e.g. de-greasing sprays, detergents, etc.).

1. Close the oven door (if it is open or not closed properly, "door" flashing on the display, the self cleaning cycle will not start).
2. Turn the oven selector dial to the self cleaning position ; "P1:30" (self cleaning time, 1 hour and 30 minutes) appears on the electronic programmer display with the letter "P" flashing.
3. To increase the self cleaning cycle time (max 3 hours) press  of the programmer then . To go backwards to the minimum of 1 hour and 30 minutes press  then . Alternatively press  of the programmer and then turn the temperature dial to the right to increase the time or to the left to reduce it. During the setting "P" is not shown on the display.
4. Press **START** on the programmer to start the cycle.

This combined confirmation operation offers greater safety when there are children; in fact turning the dial to the self cleaning function has no effect if **START** of the programmer is not then pressed.

The programmer display reads **PH:MM** (H:MM=self cleaning time where H=hours and MM=minutes) and the door is locked after some seconds.

On the control panel the door locked pilot light lights up to indicate that the door is locked.

The self cleaning cycle starts immediately (the symbol  lights up) and is completed in the programmed time. Throughout the self cleaning cycle the programmer displays the time (hours and minutes) remaining until the cycle is finished.

VERY IMPORTANT:

The self cleaning cycle only starts with the oven door closed. If the door is open or not closed properly ("door" flashes on the display) the oven CANNOT perform the self cleaning cycle; electronic safety devices prevent the self cleaning cycle from starting.

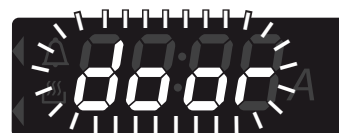
PROBLEMS ON STARTING AND DURING THE SELF CLEANING CYCLE

1. “door” (flashing) appears on the programmer display

The function selector has been turned to the self cleaning position with the oven door open or not perfectly closed. Or the door has been opened before the cycle has been started with confirmation from **START**.

What to do:

- Close the door and repeat the operations to start the cycle.



2. “F0E0” and “A” appear on the programmer display

The self cleaning cycle has been stopped and then re-started (immediately). The message is displayed after about 15 minutes and the self cleaning cycle is zeroed.

What to do:

- Turn the oven selector dial to **OFF** (oven off).
- Wait for at least 30 minutes.
- Repeat the operations to start the self cleaning cycle.
- If after several attempts the message continues contact the Service Centre.



Caution: It is advisable not to stop the self cleaning cycle and then start it again when it is quite a way through.

3. “Fdor” appears on the programmer display

Malfunctioning of the door lock system.

What to do:

- Turn the function selector to **OFF** (oven OFF).
- Wait for the oven to cool down completely and disconnect the cooker from the mains.
- Reconnect the appliance to the main.

If after this procedure the display still reads “Fdor”:

- Disconnect the cooker from the mains.
- Call Service. The cooker must not be used.





HOW TO STOP THE SELF CLEANING CYCLE

1. Turn the function selector to **OFF** (oven OFF).

If the oven cavity temperature is higher than 570°F (300°C):

- “Hot” appears on the programmer display.
- When the oven cavity temperature drops below 570°F (300°C):
 - the door locked pilot light goes out;
 - the door unlocks and can be opened;
 - the time of day appears on the programmer display.

If the oven cavity temperature is lower than 570°F (300°C):

- The time of day appears on the programmer display.
- After a technical time:
 - the door locked pilot light goes out;
 - the door unlocks and can be opened.

IMPORTANT: Wait for the oven to cool down completely before starting a cooking function.

2. **ACCIDENTAL INTERRUPTION OF THE SELF CLEANING CYCLE.**

The function selector has been turned to any cooking function.

If the oven cavity temperature is higher than 570°F (300°C):

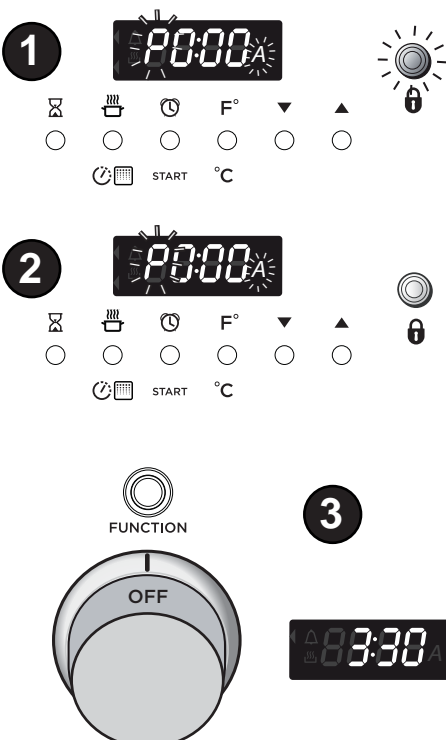
- “Hot” appears on the programmer display.
- When the oven cavity temperature drops below 570°F (300°C):
 - the door locked pilot light goes out;
 - the door unlocks and can be opened;
 - pre-set temperature of the selected function flashes on the programmer display.

- To reset normal conditions turn the function selector to **OFF** (oven OFF).

If the oven cavity temperature is lower than 570°F (300°C)

- Pre-set temperature of the selected function flashes on the programmer display.
- After a technical time:
 - the door locked pilot light goes out;
 - the door unlocks and can be opened.
- To reset normal conditions turn the function selector to **OFF** (oven OFF). The time appears on the programmer display.

IMPORTANT: Wait for the oven to cool down completely before starting a cooking function.



WHAT TO DO WHEN THE SELF CLEANING CYCLE HAS FINISHED

1. “P0:00” and “A” appear on the programmer display (“P” and “A” flashing)
Wait for the oven to cool down and the door to unlock.
The self cleaning cycle has finished. The door remains locked until the cavity temperature has dropped below 570°F (300°C).
2. The door locked light goes out (when the temperature has dropped below 570°F - 300°C). The door is unlocked and can be opened.
3. Turn the function selector dial to **OFF** (oven OFF).
The time appears on the programmer display.
4. Wait for the oven to cool down completely.
5. Remove the ash.
Open the oven door and remove the residue of ash inside the oven with a damp cloth.

IMPORTANT: Let the appliance cool down completely before switching the oven on again.

ABNORMAL SITUATIONS AND/OR OPERATION PROBLEMS during cooking or the self cleaning cycle

1. "F000" or "F001" appear during cooking or self cleaning cycle

Oven temperature sensor is broken or not working properly. The cooling fan stays on and if the self cleaning cycle is in progress the door remains locked.

What to do:

- Turn the function selector to **OFF** (oven OFF).
- Wait for the oven to cool down completely and disconnect the cooker from the mains.
- Reconnect the appliance to the main.

If after this procedure the display still reads "F000" or "F001":

- Disconnect the cooker from the mains.
- Call Customer Care. The cooker must not be used.

2. "F0E0" and "A" appear during the self cleaning cycle

This indicates a temperature sensor measurement error during the self cleaning cycle. This may be due to the self cleaning cycle being stopped and started again when it was quite a way through.

What to do:

- Turn the oven selector dial to **OFF** (oven OFF).
- Wait for at least 30 minutes before repeating the operations to start the self cleaning cycle.
- If the message is still given after several attempts call Customer Care.

3. "FPot", "Fdor", "FAdc" or "FrEL" appear during cooking or self cleaning cycle

This indicates an error or malfunctioning.

What to do:

- Turn the function selector to **OFF** (oven OFF).
- Wait for the oven to cool down completely and disconnect the cooker from the mains.
- Reconnect the appliance to the main.

If after this procedure the display still reads "FPot", "Fdor", "FAdc" or "FrEL":

- Disconnect the cooker from the mains.
- Call Customer Care. The cooker must not be used.

4. Display OFF

Oven not working properly.

What to do:

- Turn the function selector to **OFF** (oven OFF).
- Wait for the oven to cool down completely so that the door opens.
- Switch the cooker off for a few seconds.

If after this procedure the display is still off:

- Disconnect the cooker from the mains.
- Call Customer Care. The cooker must not be used.






WARNING!!

It is advisable to handle the oven accessories using oven gloves.

COOKING ADVICE

STERILIZATION

Sterilization of foods to be conserved, in full and hermetically sealed jars, is done in the following way:

- Turn the switch to position  (convection cooking with ventilation).
- Set the thermostat dial to position 350°F (175°C) and preheat the oven.
- Fill the grill pan with hot water.
- Set the jars into the grill pan making sure they do not touch each other and the door and set the thermostat dial to position 260°F (130°C).

When sterilization has begun, that is, when the contents of the jars start to bubble, turn off the oven and let cool.

ROASTING

To obtain classical roasting, it is necessary to remember:

- the pre-set temperature should be maintained;
- that the cooking time depends on the quantity and the type of foods.

COOKING DIFFERENT DISHES AT THE SAME TIME

The MULTIFUNCTION oven at positions  (convection cooking with ventilation) of the function selector can cook various different foods at the same time.

Fish, cakes and meat can be cooked together without the smells and flavours mixing. The only precautions required are the following:

- The cooking temperatures must be as close as possible with a maximum difference of 70-80°F (20-25°C) between the different foods.
- Different dishes must be placed in the oven at different times according to the cooking time required for each one. This type of cooking obviously provides a considerable saving on time and energy.

VENTILATED BROILING

Broiling may be done by selecting  (Ventilated Broiling) with the function selector dial, because the hot air completely envelops the food that is to be cooked.

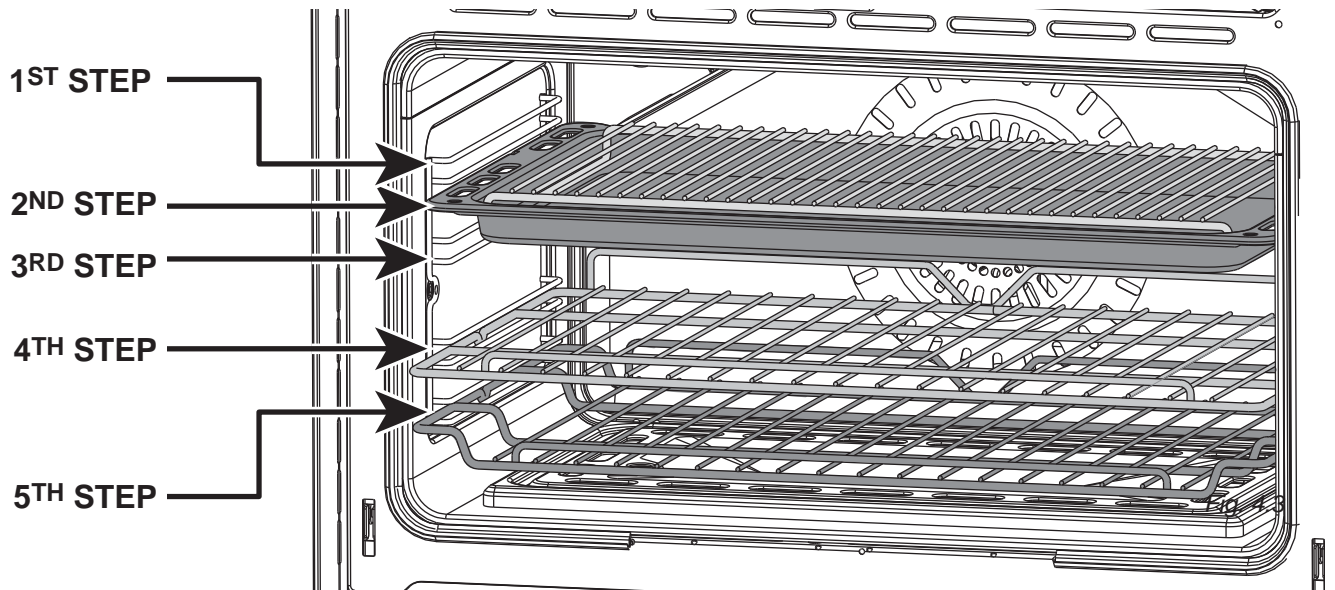
Set the temperature if a temperature different from the pre-set one is required.

Introduce the food to be cooked, positioning the broiling pan as close to the infra-red element as possible.

Close the door and let the oven operate until broiling is done.

Broiling with the oven door closed.

Important: Always use suitable protective gloves when inserting/removing the broiling pan from the oven (see next page).



BROILING

Very important: the broil element must always be used with the oven door closed.

- Position the broiling pan on the first or second level from the top (fig. 4.3).
- Turn on the broil element, as explained in the preceding paragraphs and let the oven preheat for about 5 minutes with the door closed.
- Place the food to be cooked on the broiling pan.
- Introduce the broiling pan (fig. 4.4) in the oven. The broiling pan should be centered under the broil element (fig. 4.3).

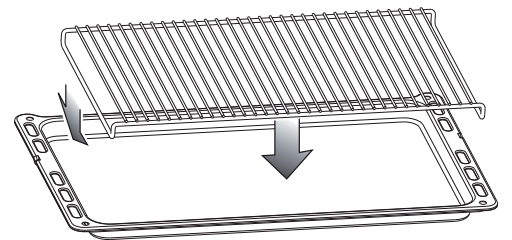


Fig. 4.4

Do not broil without using the broiling pan.

Important: Always use suitable protective gloves when inserting/removing the broiling pan, shelves, pans or other cooking utensils from the oven.

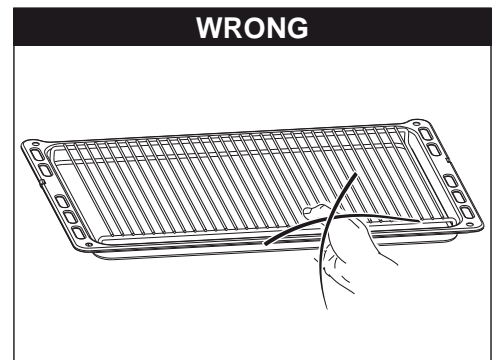


Fig. 4.5

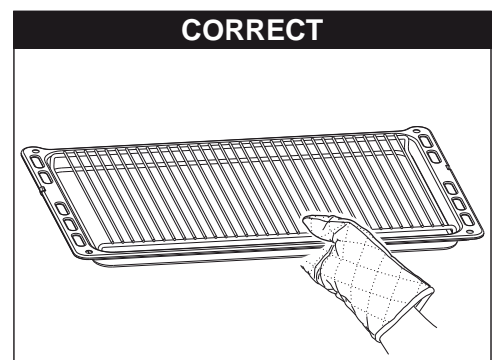


Fig. 4.6

The electronic programmer is a device which groups together the following functions:

- 12 hours clock with illuminated display.
- Timer (up to 3 hours).
- Program for semi-automatic oven cooking.
- Program for automatic oven cooking.
- Management of the cooking functions. The programmer can manage setting the temperature in the various cooking functions.
- Management of the self cleaning function.

Description of the buttons:

		Timer (1)
		Cooking time or self cleaning time (2)
	START	End of cooking time or allowance to start the cooking functions or self cleaning cycle (3)
F°	°C	Setting oven temperature (4)
	▼	Countdown of the figures of all the functions or of the temperature to be set (5)
	▲	Advance of the figures of all the functions or of the temperature to be set (6)

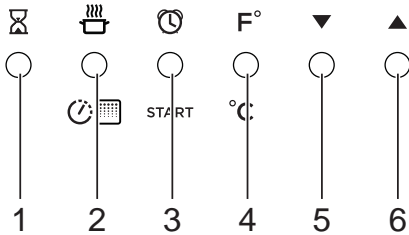
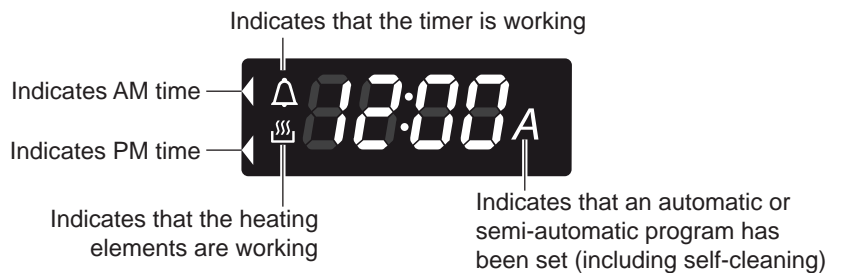


Fig. 5.1

Description of the light symbols:



SWITCHING ON FOR THE FIRST TIME OR AFTER A BLACK-OUT

After the appliance has been connected to the mains or after there has been a blackout the programmer must be activated so that it can work.

“12:00” flashes on the display.

1. Press and at the same time. The programmer starts to work.

SETTING THE TIME

The programmer has an electronic clock (12 hours) with luminous figures which indicate hours and minutes.

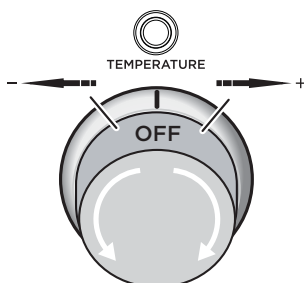
Note: It is not possible to set the time during a manual or automatic/semi-automatic cooking.

1. Press buttons and at the same time; the time will flash on the display
2. Press buttons ▼ or ▲ until the exact time is set (or turn the temperature dial to the right to increase the time and to the left to reduce it). If the ▼ or ▲ are kept pressed for a few seconds, the figures will scroll more quickly.

AUDIBLE SIGNAL

The intermittent audible signal sounds when the timer or semi-automatic or automatic cooking have reached the end of the time set.

To silence the audible signal press any of the programmer keys.



TIMER

The timer function is only used to count the time and does not influence oven operation or any programmes which are in progress or set.

1. Press - "0:00" appears on the programmer display.
2. Press or to set the time required (or turn the temperature dial to the right to increase the time and to the left to reduce it) - the bell symbol lights up on the display.
3. The countdown starts immediately and the time appears again.
4. To see the countdown press . The time will be indicated in hours and minutes; the seconds are only indicated for the last minute.
5. At the end of the countdown an audible signal sounds and the bell symbol goes out. Press any button to stop the audible signal.

IMPORTANT WARNING: This function is only an electronic alarm and does not switch OFF the oven. Remember to turn to OFF (oven OFF) manually the selector dial at the end of the countdown.

AUTOMATIC COOKING - Start cooking at the programmed time and switch the oven off automatically after the programmed cooking time OR SEMI-AUTOMATIC COOKING - Start immediate cooking and switch the oven off automatically after the programmed cooking time

Setting

1. Set the cooking function by turning the oven selector to the function required.
2. The pre-set cooking temperature appears on the display. To change it proceed as described in the "USING THE OVEN" chapter.
3. Press **START** of the programmer to confirm the cooking function.
4. Press : "0:00" appears on the electronic programmer display.
Press or to set the cooking time or turn the temperature dial to the right to increase the time and to the left to reduce it (cooking time in hours and minutes: set it to ten minutes less than the time required because the stored heat will complete the cooking). "A" appears on the display.
5. Press ; then press or to set the time when the cooking should finish or turn the temperature dial to the right to increase the time and to the left to reduce it.
6. The display reads the set temperature.

Semi-automatic cooking: If you are already at home to turn the oven on and only want the oven to turn off automatically, start cooking as normal, then follow step 4 or step 5 to set the cooking time or a time to stop the oven.

Starting cooking

7. The cooking symbol lights up. The oven switches on and the cooking cycle set starts.

During cooking

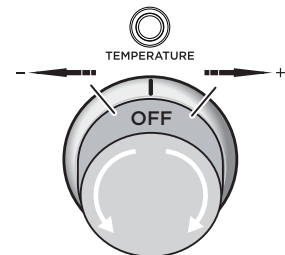
8. During the cooking cycle, the display shows the oven temperature measured by the probe or pre-set temperature. Press to display the length of cooking set. Press to display the stop time set. The cooking time, end of cooking time and cooking temperature can be varied at any time, as described above.

At the end of cooking

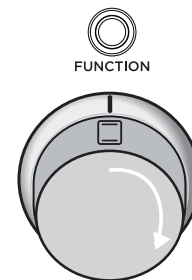
9. "End" appears on the display, "A" flashes and the audible signal sounds. The cooking cycle has finished and the oven is OFF. Press any programmer button to stop the audible signal.
10. Turn the function selector to **OFF** (oven OFF). The programmer display shows the time.

Note: At the end of the program always turn the function selector dial to OFF (oven OFF).

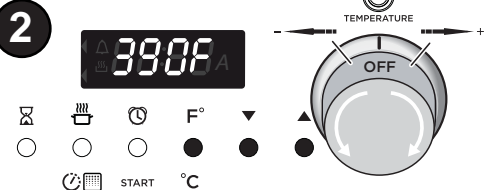
IMPORTANT: During AUTOMATIC COOKING PROGRAM the oven light is always on, also before starting (heating elements on or cycling) of the programmed cooking.



1



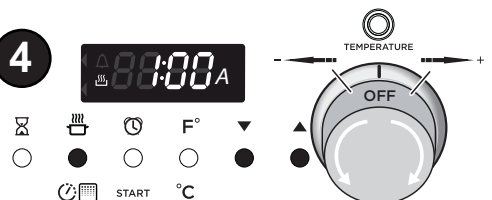
2



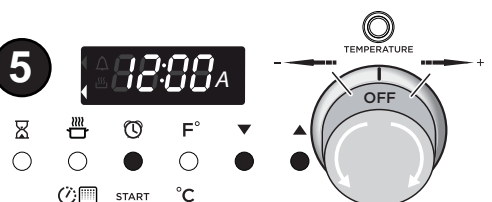
3



4



5



9



CANCELLING A SET PROGRAM

To cancel any program just press the ▼ and ▲ at the same time for more than 3 seconds or turn the function selector dial to OFF (oven OFF).

Note: If during a set program the function selector dial is turned to SELF CLEAN (self cleaning), (oven lighting), (defrosting frozen foods) or to another cooking function, the program is cancelled.

EXAMPLE OF PROGRAMMING AUTOMATIC COOKING

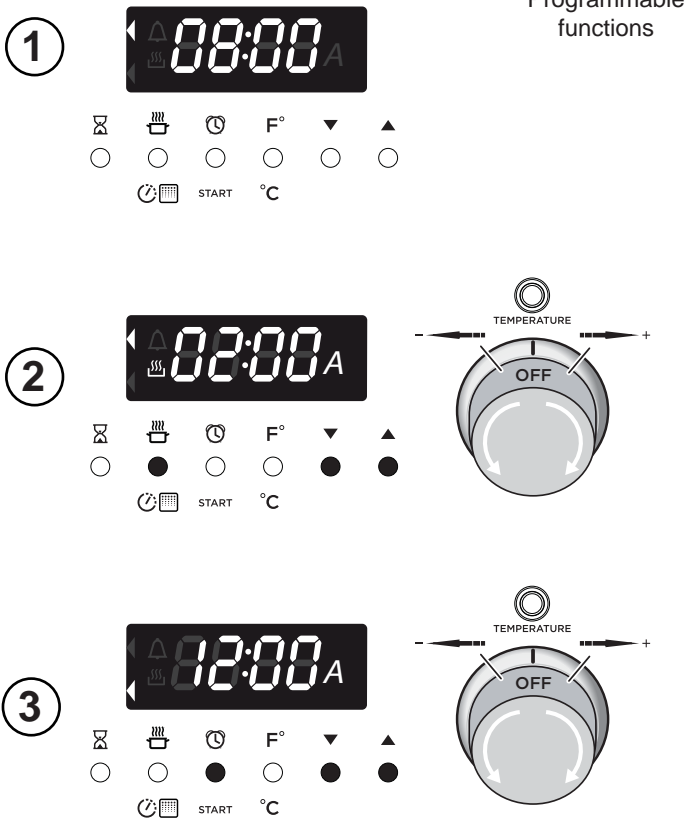
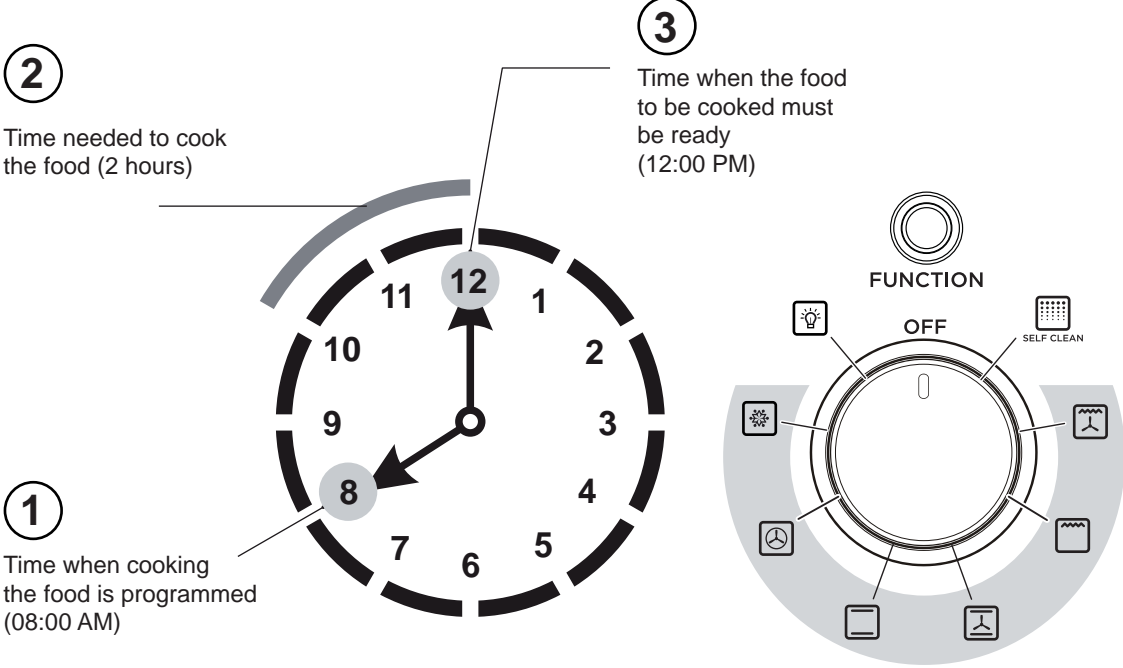


Fig. 5.2

WARNING VERY IMPORTANT

Before any operation of maintenance disconnect the appliance from the electrical main supply.

Do not use steam jet cleaners because the humidity could infiltrate into the appliance making it dangerous.

Do not use harsh abrasive cleaners or sharp metal scrapers to clean the oven door glass since they can scratch the surface, which may result in shattering of the glass.

GENERAL RECOMANDATION

- Important: Before any operation of cleaning and maintenance disconnect the appliance from the electrical supply.
- It is advisable to clean the appliance when it is cold, especially when cleaning the enamelled parts.
- Avoid leaving alkaline or acidic substances (lemon juice, vinegar, etc.) on the surfaces.
- Avoid using cleaning products with a chlorine or acidic base.
- **IMPORTANT: The use of suitable protective clothing/gloves is recommended when cleaning and maintaining the appliance.**
- **WARNING**
When correctly installed, your product meets all safety requirements laid down for this type of product category. However special care should be taken around the rear or the underneath of the appliance as these areas are not designed or intended to be touched and may contain sharp or rough edges, that may cause injury.

ENAMELLED PARTS

- All the enamelled parts must be cleaned with a sponge and soapy water only or other non-abrasive products.
Dry preferably with a microfibre or soft cloth.

PAINTED PARTS AND SILK-SCREEN PRINTED SURFACES

- Clean using an appropriate product. Always dry thoroughly.

IMPORTANT: these parts must be cleaned very carefully to avoid scratching and abrasion. You are advised to use a soft cloth and neutral soap.

STAINLESS STEEL ELEMENTS

- Stainless steel parts must be rinsed with water and dried with a soft and clean cloth.
- For difficult dirt, use a specific non-abrasive product available commercially or a little hot vinegar.
- Note: regular use could cause discolouring around the burners, because of the high flame temperature.

INSIDE OF OVEN

The oven should always be cleaned after use when it has cooled down. The cavity should be cleaned using a mild detergent solution and warm water. Suitable proprietary chemical cleaners may be used after first consulting with the manufacturers recommendations and testing a small sample of the oven cavity. Abrasive cleaning agents or scouring pads/cloths should not be used on the cavity surface.

NOTE: The manufacturers of this appliance will accept no responsibility for damage caused by chemical or abrasive cleaning.

Let the oven cool down and pay special attention not to touch the hot heating elements inside the oven cavity.

BURNERS AND GRIDS

- These parts can be removed and cleaned with appropriate products.
- After cleaning, the burners and their flame distributors must be well dried and correctly replaced.
- It is very important to check that the burner flame distributor and the cap has been correctly positioned - failure to do so can cause serious problems.
- Check that the probe "T" (figs. 6.1, 6.3) next to each burner is always clean to ensure correct operation of the safety valves.
- Check that the electrode "S" (figs. 6.1, 6.3) is always clean to ensure trouble-free sparking.
- Note: To avoid damage to the electric ignition do not use it when the burners are not in place.
- **Both the probe and ignition plug must be very carefully cleaned.**

CORRECT POSITION OF THE SEMI-RAPID BURNERS

It is very important to check that the burner flame spreader "B" and the cap "A" have been correctly positioned (see figs. 6.1 and 6.2). Failure to do so can cause serious problems.

CORRECT POSITION OF THE DUAL BURNERS

The Dual burner must be correctly positioned (see fig. 6.3); the flame spreader "E" must be fitted as shown by the arrows (fig. 6.4). Then position the cap "C" and the ring "D" (figs. 6.3 and 6.6). Correctly positioned burner should not rotate (fig. 6.5).

IMPORTANT: NEVER unscrew the burner inner flame spreader fixing screws (fig. 6.7). The inner flame spreader can be removed **ONLY** by an authorised service agent. Damage to the appliance will occur if not observing this condition and this may result in serious injury to the user. The manufacturer declines every responsibility for any inconvenience resulting from the non-observance of this condition.

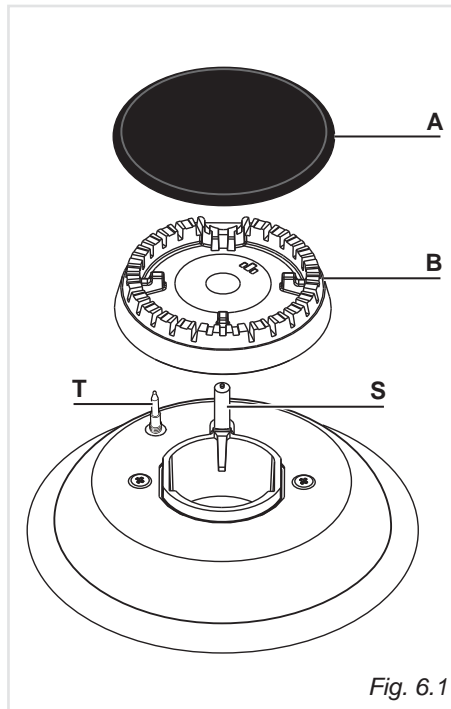


Fig. 6.1

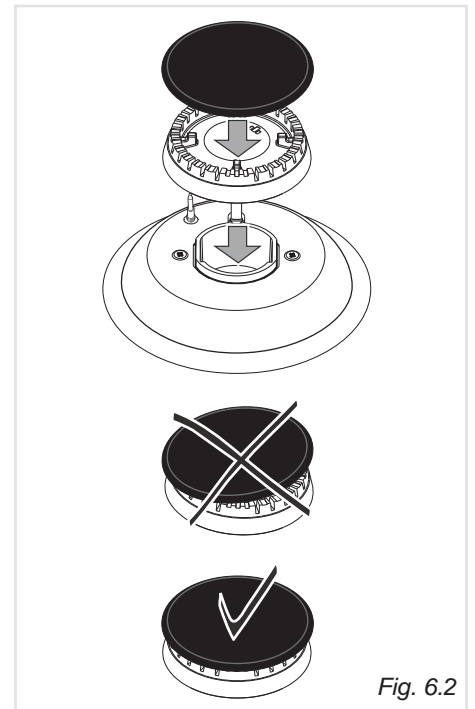


Fig. 6.2

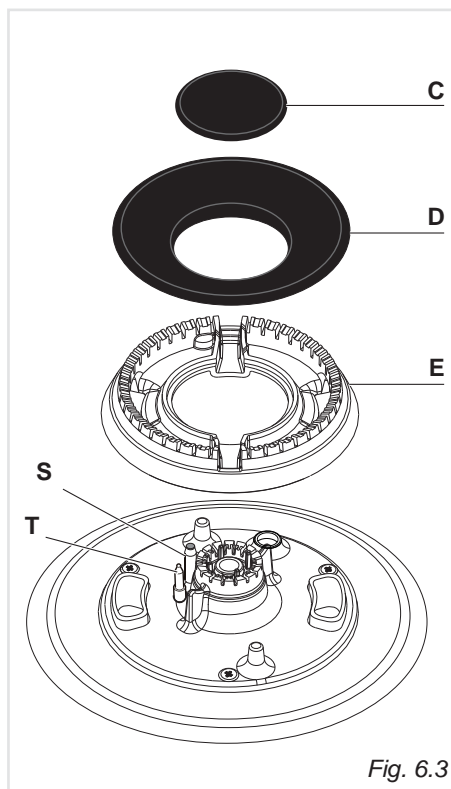


Fig. 6.3

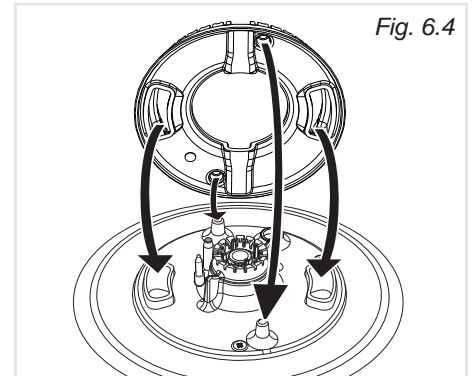
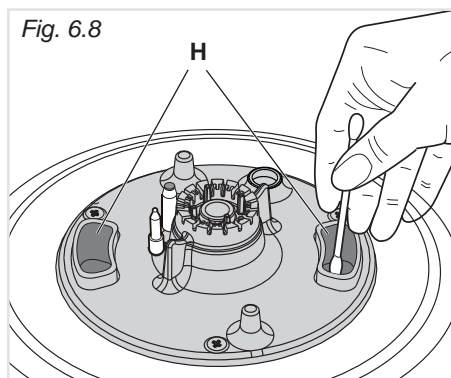
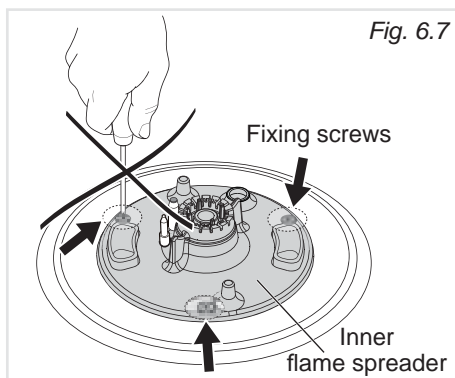
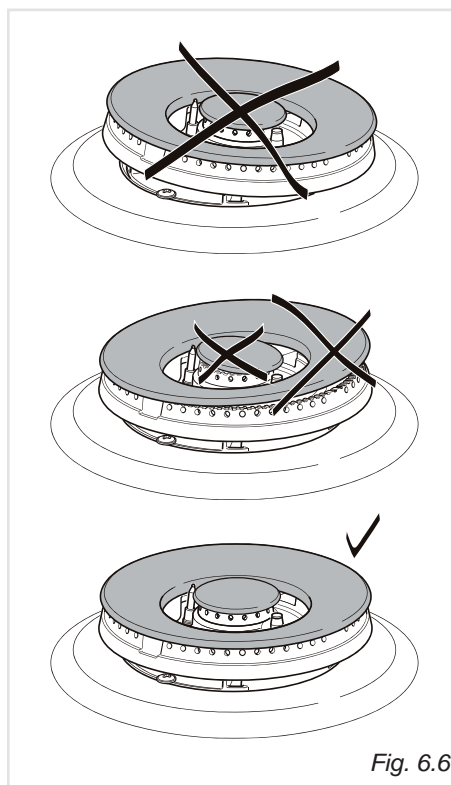
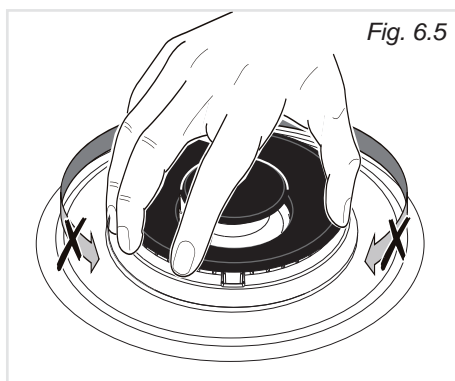


Fig. 6.4

CLEANING THE DUAL BURNER

Pay special attention to this burner: the two holes "H" on the inner flame spreader (fig. 6.8) must always be kept clean. When cleaning, remove the external flame spreader "E" (fig. 6.3) and use a cotton bud, toothbrush, or some other item to clean out any incrustations or dirt from the two holes marked "H" (Fig. 6.8). This procedure is necessary to ensure the burner functions correctly. **If the burner does not function correctly and it is not possible to clean out any incrustations or dirt from the two holes, contact the After-Sales Service.**

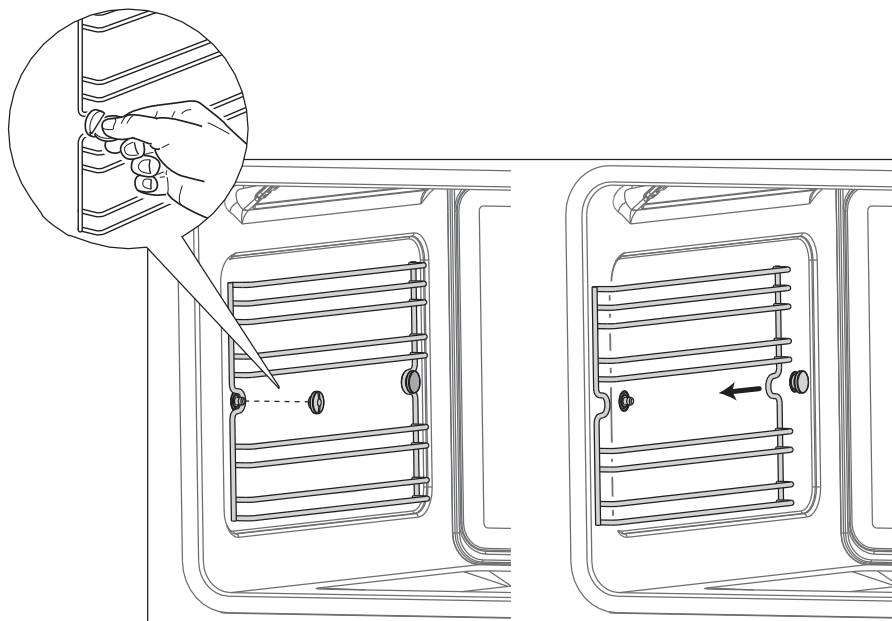


FITTING THE SIDE RACKS

1. Slide the side rack gently so it engages with the rear lock stud. Make sure that they are the right way up, as in the illustrations, and then insert and tighten the front fixing screw.
2. If not already fitted, fit the telescopic sliding shelf supports. See "Fitting and removing the sliding shelf supports."

REMOVING THE SIDE RACKS

3. Using a small coin or a flat-head screwdriver, loosen and remove the front fixing screw only.
4. Slide the side rack clear of the rear lock stud and remove.



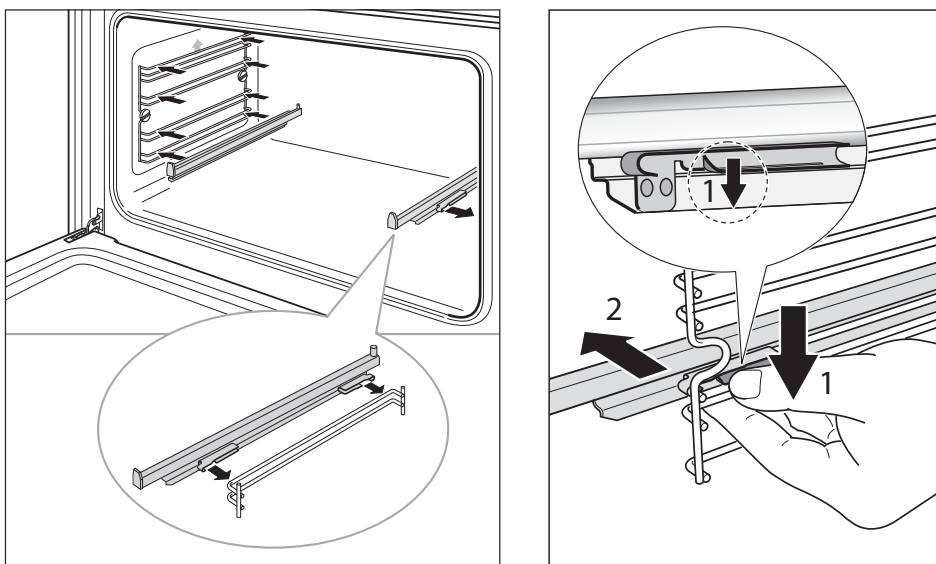
FITTING AND REMOVING THE SLIDING SHELF SUPPORTS

When fitting the sliding shelf supports, make sure that you fit:

- the side racks the slides to the top wire of a shelf position
- both sides of each pair of slides both slides on the same level.

Important!

Remove the side racks first to make removing the sliding shelf supports easier.



OVEN SHELF INSTALLATION AND REMOVAL

The oven shelf is provided with a security block to prevent accidental extraction. Slide the shelf between the runners (fig 6.9). The bigger guard rail goes to the rear. Keep attention to insert the shelf correctly (see figure 6.9).

To remove, follow the steps in reverse order.

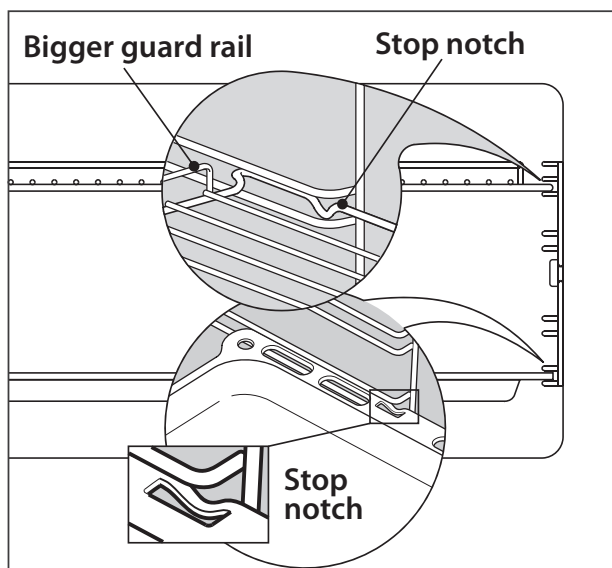


Fig. 6.9

REPLACING THE OVEN LIGHT (fig. 6.10)

Before any maintenance is started involving electrical parts of the appliance, it must be disconnected from the power supply.

- Let the oven cavity and the heating elements cool down.
- Switch off the electrical supply.
- Remove the protective cover "A" (fig. 6.10).
- Unscrew and replace the bulb "B" with a new one suitable for high temperatures (300°C) having the following specifications: 120V, 60 Hz, E14 and same power (check watt power as stamped in the bulb itself) of the replaced bulb.
- Refit the protective cover.

NOTE: Oven bulb replacement is not covered by your warranty.

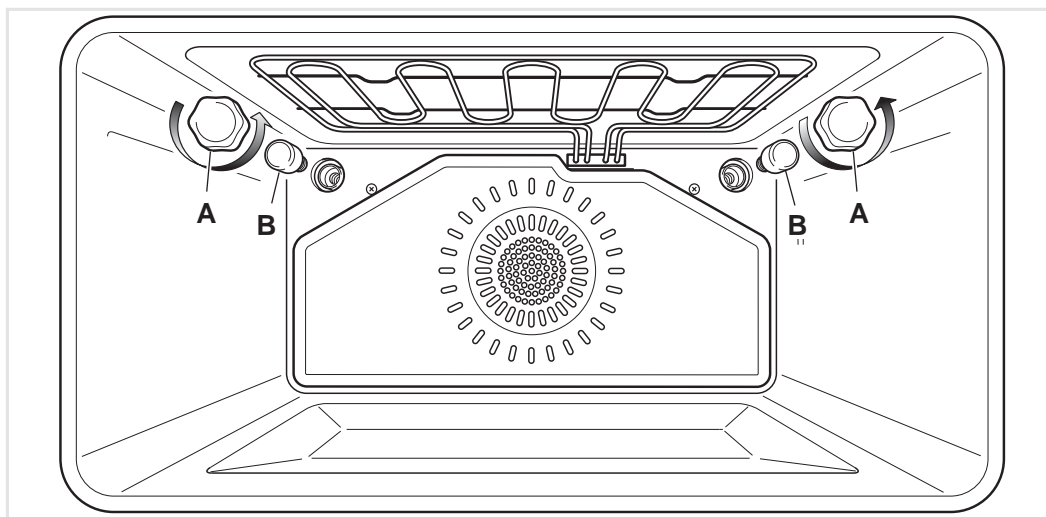


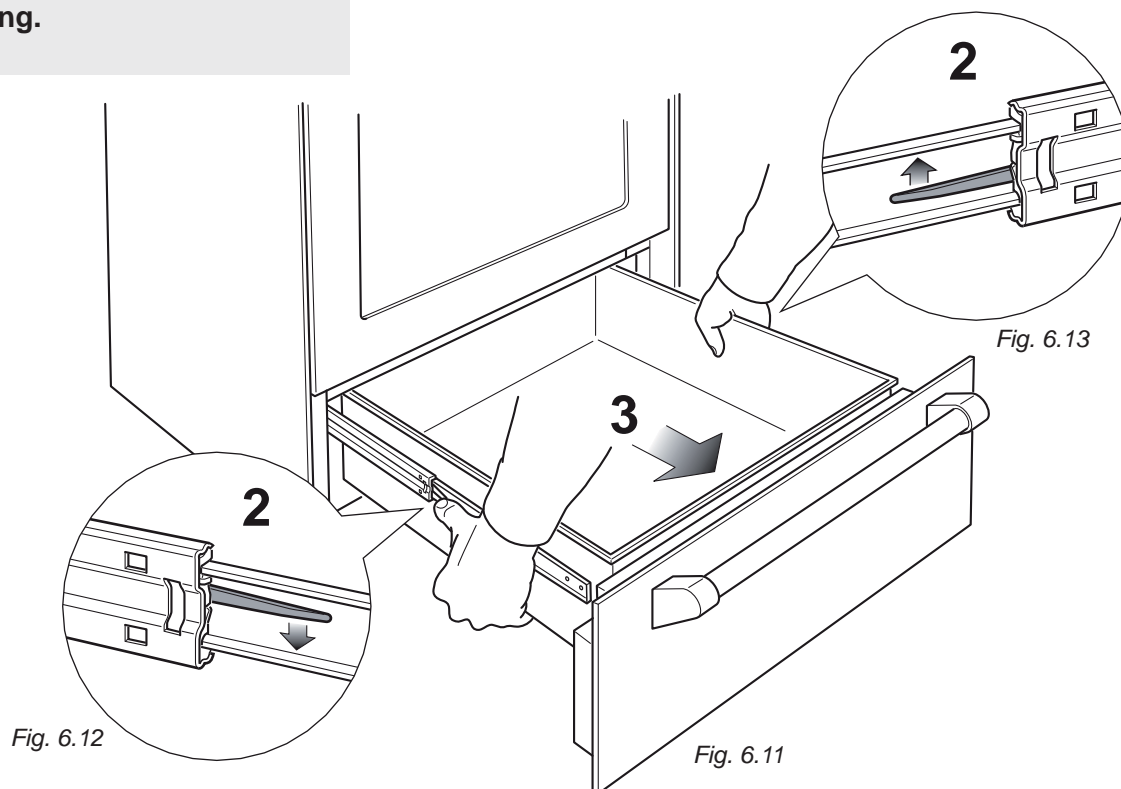
Fig. 6.10

WARNING:

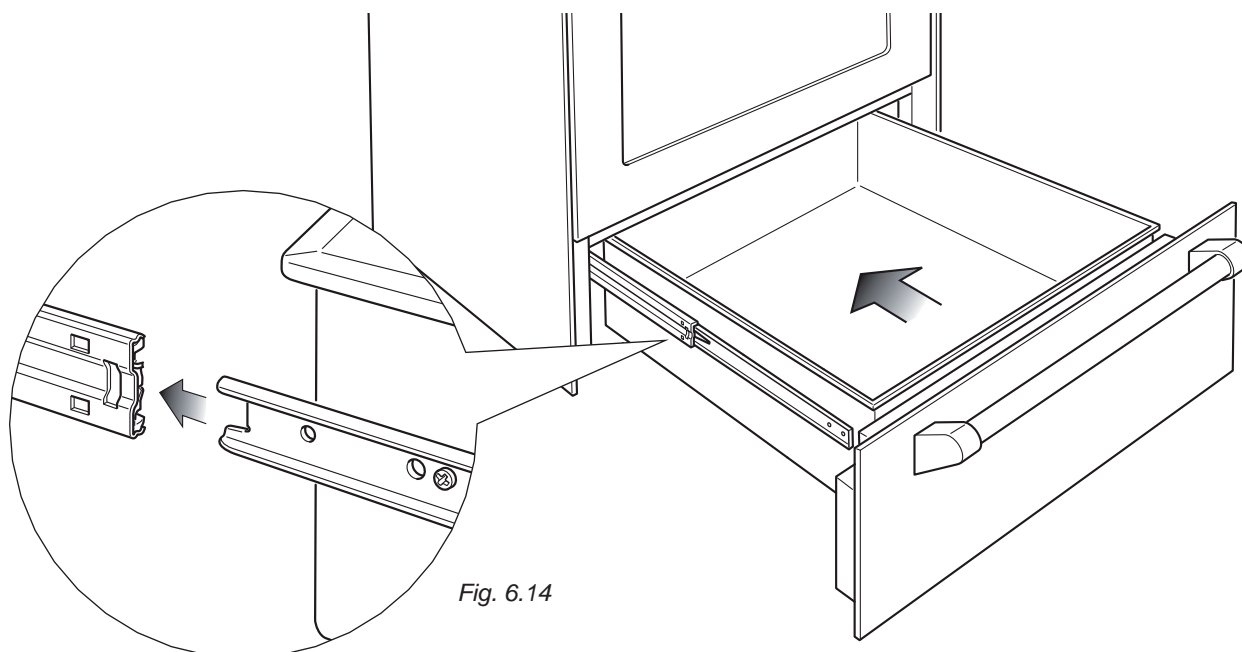
- Do not remove drawer while hot.
- Do not remove drawer during operation.
- Be sure drawer is empty before removing.

REMOVING THE WARMING DRAWER

1. Open the drawer completely (fig. 6.11)
2. Move down the lever of left guide (fig. 6.12) and up the lever of right guide (fig. 6.13).
3. Remove the drawer; the levers have to be keep moved (fig. 6.11).

**FITTING THE WARMING DRAWER**

1. Insert the drawer guides into the cooker guides (fig. 6.14)
2. Gently close the drawer completely; the safety catches will automatically hook into place.



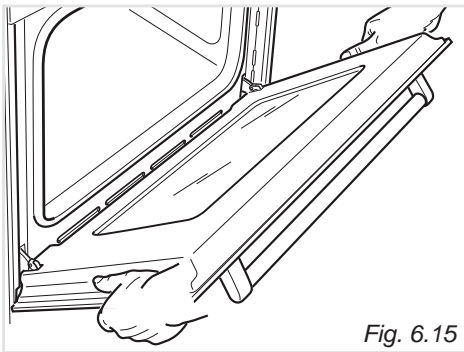


Fig. 6.15

REMOVING THE OVEN DOOR

The oven door can easily be removed as follows:

- Open the door to the full extent (fig. 6.15a).
- Open the lever "A" completely on the left and right hinges (fig. 6.15b).
- Hold the door as shown in fig. 6.15.
- Gently close the door (fig. 6.15c) until left and right hinge levers "A" are hooked to part "B" of the door (fig. 6.15b)
- Withdraw the hinge hooks from their location following arrow "C" (fig. 6.15d).
- Rest the door on a soft surface.

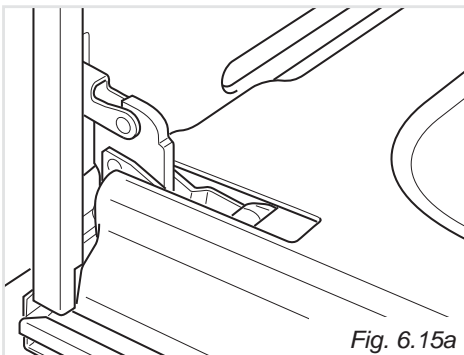


Fig. 6.15a

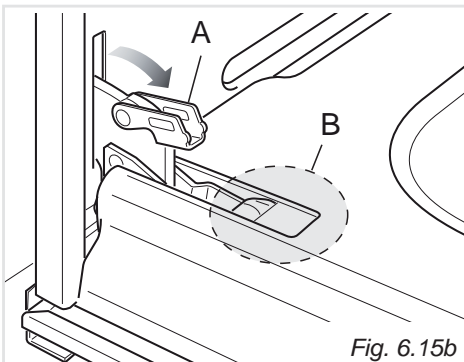


Fig. 6.15b

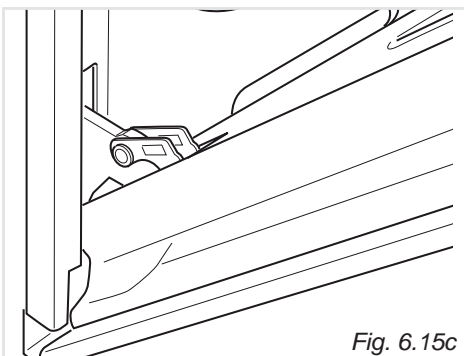


Fig. 6.15c

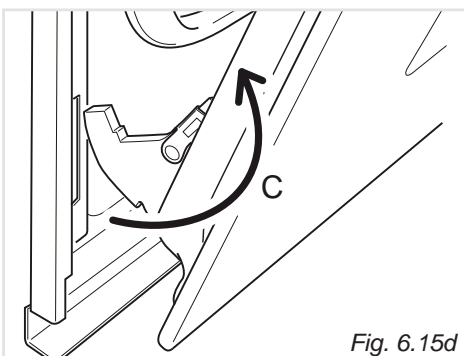


Fig. 6.15d

REFITTING THE OVEN DOOR

- Hold the door firmly (fig. 6.15).
- Insert the hinge tongues into the slots, making sure that the groove drops into place as shown in the fig. 6.16a.
- Open the door to its full extent.
- Fully close the levers "A" on the left and right hinges, as shown in the figure fig. 6.16b.
- Close the door and check that it is properly in place.

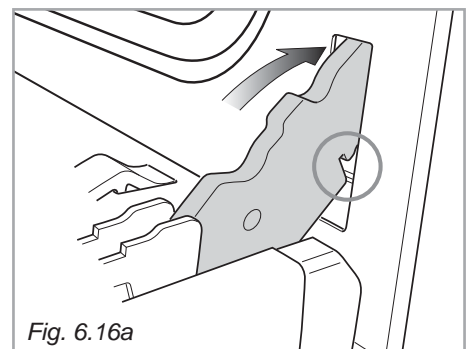


Fig. 6.16a

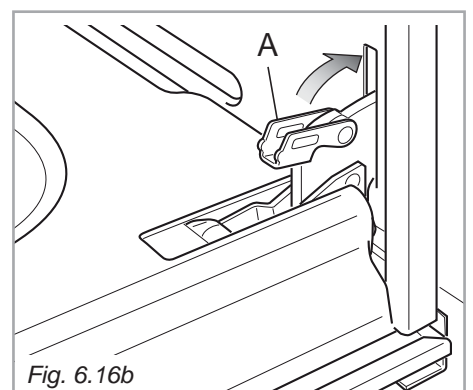


Fig. 6.16b

DO'S AND DO NOT'S

- Do always use the oven with the door closed.
- Do read the user instructions carefully before using the cooker for first time.
- Do allow the oven to heat for about two hours, before using for the first time, in order to expel any smell from the new oven insulation, without the introduction of food.
- Do clean your oven regularly.
- Do remove spills as soon as they occur.
- Do always use oven gloves when removing food shelves and trays from the oven and from the warming drawer.
- Do not allow children near the cooker when in use.
- Do not allow fat or oils to build up in the oven base, or oven accessories.
- Do not place cooking utensils or plates directly onto the oven base.
- Do not place hot enamel parts in water. Leave them to cool first.
- Do not allow vinegar, coffee, milk, saltwater, lemon or tomato juice to remain in contact with enamel parts (i.e. inside the oven).
- Do not use abrasive cleaners or powders that will scratch the surface of the stainless steel and the enamel.
- Do not attempt to repair the internal workings of your cooker.
- Do remove the protective film before the first use.
- Fire risk! Do not store flammable material in the oven and in the warming drawer.
- Do not place food in unopened containers in the warming drawer.
- Do not touch the interior surface of the warming drawer while it is in use.
- Do not use aluminum foil to line the warming drawer.
- Do not use plastic containers in the warming drawer.
- Do not use the warming drawer as a storage drawer.
- Do not use the oven with the oven door open.
- Do not use the warming drawer for warming plates.
- Do not use the oven and the warming drawer to warm or heat a room.
- Do not use the cooker when the oven is operating in self cleaning mode.
- When the self cleaning mode has been completed do not start immediately a new self cleaning cycle: let the cooker to cool down.

FOR YOUR SAFETY

Under no circumstances should any external covers be removed for servicing or maintenance except by suitably qualified personnel.

Before you call for service or assistance ...

Check the things you can do yourself. Refer to the installation instructions and your user guide and check that:

- 1 Your product is correctly installed.
- 2 You are familiar with its normal operation.

If after checking these points you still need assistance or parts, please refer to the Service & Warranty book for warranty details and your nearest Authorized Repairers, Customer Care, or contact us through our local website listed on the back cover.

Contact details

A Service Summary is attached to the underside of the product.

For replacement parts or if further help is needed concerning this appliance call:

Toll Free 1 888 9 FNP USA (1 888 936 7872) or write to:

Fisher & Paykel Appliances Inc.

5900 Skylab Road

Huntington Beach, CA 92647

USA

or contact us through our web site, www.fisherpaykel.com

The manufacturer cannot be held responsible for possible inaccuracies due to printing or transcription errors in the present booklet.

The manufacturer reserves the right to make all modifications to its products deemed necessary for manufacture or commercial reasons at any moment and without prior notice, without jeopardising the essential functional and safety characteristics of the appliances.

CUISINIÈRE À GAZ/ÉLECTRIQUE

Cet appareil est réservé à l'usage résidentiel uniquement.



C

US

MODE D'EMPLOI POUR LES UTILISATEURS IMPORTANT - VEUILLEZ LIRE ET SUIVRE

- Avant de commencer, veuillez lire attentivement toutes les instructions.
- N'enlevez pas les étiquettes, plaques ou avertissements permanents de l'appareil. Cela pourrait annuler la garantie.
- Veuillez respecter tous les codes et les règlements locaux et nationaux.
- Veuillez vous assurer que cet appareil est bien mis à la terre.
- La prise de courant devrait être toujours accessible.
- **L'installateur doit confier ces instructions au consommateur qui les conservera pour l'usage de l'inspecteur local et pour s'y reporter ultérieurement.**

L'installation doit être conforme aux codes locaux, ou en l'absence de ces codes, à la dernière édition du National Fuel Gas Code ANSI Z223.1/NFPA 54. L'installation électrique doit être conforme à la dernière édition du Code national de l'électricité, ANSI/NFPA70 et/ou aux codes locaux.

AU CANADA: L'installation doit être conforme au CAN/CGA-B149.1, Code d'installation du gaz naturel ou au CAN/CGA-B149.2, Code d'installation du propane en vigueur et/ou aux codes locaux. L'installation électrique doit être conforme au Code canadien de l'électricité CSA C22.1, partie 1, en vigueur et/ou aux codes locaux.

INSTALLATION DANS UNE MAISON PRÉFABRIQUÉE (MOBILE) : L'installation doit être conforme au Manufactured Home Construction and Safety Standard, Titre 24 CFR, Partie 3280 [anciennement le Federal Standard for Mobile Home Construction and Safety, Titre 24, HUD (Partie 280)] ou, lorsque cette norme n'est pas applicable, au Standard for Manufactured Home Installations, ANSI/NCSBCS A225.1, ou aux codes locaux, là où il y a lieu.

INSTALLATION DANS UNE CARAVANE DE PARC : L'installation doit être conforme aux codes de l'État ou aux autres codes ou, en l'absence de tels codes, au Standard for Recreational Park Trailers, ANSI A119.5.

L'installation de tout appareil au gaz doit être effectuée par un technicien qualifié. Par mesure de sécurité et pour faciliter le service, un robinet d'arrêt de gaz manuel doit être installé dans le tuyau d'alimentation en gaz, juste avant l'appareil.

Si vous utilisez une source d'alimentation électrique extérieure, cet appareil doit être, au moment de son installation, mis à la terre conformément aux codes locaux en vigueur ou, en l'absence de tels codes, conformément au Code national de l'électricité, ANSI/NFPA 70.

**Certains modèles sont livrés avec une pellicule protectrice recouvrant les pièces en acier et en aluminium.
Cette pellicule doit être enlevée avant l'installation ou l'utilisation de l'appareil.**

**CETTE CUISINIÈRE EST RÉSERVÉE À L'USAGE
RÉSIDENTIEL UNIQUEMENT.**



MISE EN GARDE !

Pour réduire le risque de basculer l'appareil, il doit être fixé correctement par le dispositif antibasculement fourni avec l'appareil.

- TOUS LES TYPES DE CUISINIÈRE PEUVENT BASCULER
- CELA PEUT PROVOQUER DES BLESSURES
- INSTALLEZ LE DISPOSITIF ANTIBASCULEMENT FOURNI AVEC LA CUISINIÈRE
- CONSULTEZ LES INSTRUCTIONS D'INSTALLATION



MISE EN GARDE !

Le fait de ne pas suivre toutes les instructions de ce manuel peut provoquer un feu ou une explosion causant des dommages matériels, des blessures ou la mort.

- Ne rangez et n'utilisez pas de l'essence ou d'autres liquides et vapeurs inflammables à proximité de cet appareil ou de tout autre appareil.
- N'utilisez JAMAIS cet appareil pour chauffer une pièce. Le non-respect de cette consigne peut causer un empoisonnement au monoxyde de carbone et une surchauffe de l'appareil.
- QUE FAIRE SI VOUS DÉCELEZ UNE ODEUR DE GAZ:
 - Ne tentez d'allumer aucun appareil.
 - Ne touchez à aucun interrupteur électrique.
 - N'utilisez aucun téléphone dans l'édifice.
 - Appelez immédiatement votre fournisseur de gaz en utilisant le téléphone d'un voisin. Suivez les consignes du fournisseur de gaz.
 - S'il vous est impossible de joindre votre fournisseur de gaz, appelez le service d'incendie.
- L'installation et l'entretien doivent être effectués par un installateur ou un technicien qualifié, ou par un employé de votre fournisseur de gaz.

Cher client,

Nous vous remercions d'avoir acheté et préféré notre produit.

Les mesures de sécurité et les recommandations ci-dessous sont pour votre propre sécurité et pour celle des autres. Elles permettront également de profiter au maximum des fonctions offertes par votre appareil.

Veuillez ranger le présent livret avec soin. Il pourrait être utile dans le futur, soit pour vous ou pour les autres, dans le cas de doutes à propos du fonctionnement de l'appareil.

Cet appareil doit être utilisé uniquement pour la tâche pour laquelle il a été expressément conçu, soit la cuisson des aliments. Toute autre forme d'utilisation sera considérée incorrecte, et donc, dangereuse.

Le fabricant nie toute responsabilité dans le cas de dommages provoqués par l'utilisation inopportune, incorrecte ou illogique de l'appareil.



AVERTISSEMENT !!

Le Gouverneur de la Californie est tenu de publier une liste de substances dont l'État sait qu'ils accroissent les risques de cancer ou d'infertilité; les entreprises sont tenues d'aviser leur clientèle des risques associés à de telles substances.

AVERTISSEMENT! : Les appareils au gaz contiennent ou produisent des substances qui peuvent entraîner la mort ou des maladies graves, et dont l'État de la Californie reconnaît qu'ils augmentent les risques de cancer, d'anomalies congénitales ou autres risques au système reproductif. Pour réduire les risques causés par les substances contenues dans le carburant ou par la combustion du carburant, s'assurer d'installer, d'entretenir et d'utiliser cet appareil selon les consignes du fabricant.

Cet appareil a été conçu et fabriqué uniquement pour la cuisson domestique des aliments et ne convient pas à l'usage non ménager. Cet appareil ne devrait donc pas être utilisé dans un environnement commercial.

La garantie de l'appareil sera annulée s'il est utilisé dans un environnement non domestique, c'est-à-dire un environnement semi-commercial, commercial ou communautaire.

RENSEIGNEMENTS GÉNÉRAUX



AVERTISSEMENT!!

- Cet appareil ne doit pas être utilisé pour chauffer une pièce. Ces renseignements sont basés sur des facteurs de sécurité.**
- Afin d'éliminer les risques de brûlures ou d'incendie qui peuvent se produire lorsqu'on s'étire au-dessus d'appareils aux surfaces chauffantes, évitez de placer des armoires de cuisine au-dessus de l'appareil.
- Toute ouverture dans le mur derrière l'appareil et dans le sol au-dessous de l'appareil doit être obstruée.
- Gardez l'appareil loin des matériaux combustibles, de l'essence ou de toute autre vapeur inflammable.
- N'obstruez pas le flux de l'air de combustion et de l'air de ventilation.
- Coupez l'alimentation électrique de l'appareil avant de procéder à l'entretien.
- Lors du déplacement de l'appareil pour le nettoyage et/ou une réparation :
 - Fermez l'alimentation générale en gaz.
 - Coupez l'alimentation c.a.
 - Débranchez le tuyau d'alimentation en gaz du tuyau d'entrée.
 - Déplacez la cuisinière avec soin en la tirant en dehors de l'installation.
ATTENTION : La cuisinière est lourde. Faites attention lorsque vous la manipulez.
- Exigences électriques**
L'installation électrique doit être conforme aux codes nationaux et locaux.
- Alimentation d'air et ventilation**
L'installateur doit consulter les codes locaux et nationaux.
- Pression du collecteur d'alimentation en gaz**
Gaz naturel - 4,0 po CE
Gaz propane/GPL - 11,0 po CE
- L'utilisation inappropriée de la porte du four (par exemple, marcher, s'asseoir ou s'appuyer dessus) peut présenter des dangers possibles et/ou entraîner des blessures.
- Lors de l'installation ou du déplacement de la cuisinière pour une réparation, un timon rouleuseur devrait être utilisé. Ne poussez pas en appuyant sur les rebords de la cuisinière en tentant de la faire glisser dans ou en dehors de l'installation. Pousser ou tirer une cuisinière (plutôt que d'utiliser un timon rouleuseur) augmente également les risques de déformation des tiges ou des connecteurs de couplage internes.



AVERTISSEMENT!!

INSTRUCTIONS DE MISE À LA TERRE

La cuisinière doit être mise à la terre conformément aux codes locaux ou, en l'absence de ceux-ci, à la dernière édition du Code national de l'électricité, ANSI/NFPA n° 70 ou au Code canadien de l'électricité au Canada.

L'installation doit être effectuée par un électricien qualifié.

POUR VOTRE SÉCURITÉ, CET APPAREIL DOIT ÊTRE CORRECTEMENT MIS À LA TERRE.

Si vous utilisez une source d'alimentation électrique extérieure, cet appareil doit être, au moment de son installation, mis à la terre conformément aux codes locaux en vigueur ou, en l'absence de ces codes, conformément au Code national de l'électricité, ANSI/NFPA 70.

Pour diminuer les risques de choc électrique, cet appareil est muni d'une fiche de mise à la terre à quatre broches (NEMA 14-50P) et devrait être branché directement dans une prise correctement mise à la terre.

Ne coupez et ne retirez en aucun cas la quatrième broche (mise à la terre) de la fiche du cordon d'alimentation.

PIÈCES DE RECHANGE


Seules les pièces de rechange autorisées peuvent être utilisées lors d'une réparation sur la cuisinière. Des pièces de rechange sont disponibles chez les concessionnaires de pièces d'origine. Veuillez communiquer avec le concessionnaire de pièces de votre région.

CONSIGNES ET RECOMMANDATIONS IMPORTANTES

Après avoir déballé l'appareil, assurez-vous qu'il n'est pas endommagé.

Si vous n'êtes pas certain, ne l'utilisez pas et consultez votre fournisseur ou un technicien professionnel qualifié.

Les éléments d'emballage (sacs de plastique, mousse de polystyrène, clous, feuillets de cerclage, etc.) doivent être gardés hors de la portée des enfants, car ils peuvent entraîner de graves blessures.

Le matériel d'emballage est recyclable et porte le symbole de recyclage .

- N'essayez pas de modifier les caractéristiques techniques de l'appareil, car cela pourrait le rendre dangereux à utiliser.
- N'effectuez aucun entretien ni aucune réparation sur l'appareil sans l'avoir d'abord déconnecté de l'alimentation électrique.
- Après l'utilisation, assurez-vous que les boutons sont à la position **OFF** (position fermée).
- Ne permettez pas aux enfants ni à toute autre personne inapte d'utiliser l'appareil sans surveillance.
- Pendant et après l'utilisation de la cuisinière, certaines pièces deviendront très chaudes. Ne touchez pas aux pièces chaudes.
- Gardez les enfants éloignés de la cuisinière lorsqu'elle fonctionne.
- Certains modèles sont livrés avec une pellicule protectrice recouvrant les pièces en acier et en aluminium. Cette pellicule doit être enlevée avant l'installation ou l'utilisation de l'appareil.
- Risque d'incendie! N'entrez jamais de matériaux inflammables dans le four, ni dans le tiroir de maintien au chaud.
- Assurez-vous que les câbles électriques qui raccordent les autres appareils situés à proximité de la cuisinière ne peuvent entrer en contact avec la surface de cuisson ou se coincer dans la porte du four.
- Ne recouvrez pas les parois du four avec du papier d'aluminium. Ne placez pas de grilles, lèchefrite, casseroles ou autres ustensiles de cuisson sur la base de la cavité du four.
- Le fabricant nie toute responsabilité quant aux blessures corporelles ou dommages matériels occasionnés par l'utilisation incorrecte ou inopportune de l'appareil.
- Pour éviter tout risque possible, l'appareil doit être installé uniquement par du personnel qualifié. Des réparations effectuées par des personnes non qualifiées peuvent provoquer un choc électrique ou un court-circuit. Pour éviter des éventuels blessures corporelles ou dommages à l'appareil, n'essayez pas d'effectuer les réparations vous-même. Ce genre de travail devrait être effectué seulement par un technicien qualifié.
- Risque de brûlures! Le four et les accessoires de cuisson peuvent devenir très chauds lors de l'utilisation. Assurez-vous de garder le four hors de la portée des enfants et avertissez-les en conséquence. Pour éviter les brûlures, utilisez des vêtements et des gants de cuisine lorsque vous manipulez des pièces ou des ustensiles chauds.
- Éloignez-vous de la cuisinière lorsque vous ouvrez la porte du four. De l'air chaud ou de la vapeur s'échappant du four pourrait brûler vos mains, votre visage et/ou vos yeux.
- Ne nettoyez jamais la cuisinière, le four et le tiroir de maintien au chaud à l'aide d'un dispositif de nettoyage à vapeur haute pression. Cela pourrait provoquer un court-circuit.
- Dans le cas d'une panne de courant prolongée:
 - les brûleurs supérieurs peuvent être utilisés sans aucune restriction. Dans ce cas suivre les instructions du chapitre "Comment utiliser les brûleurs supérieurs".
 - si la porte du four est verrouillée lors d'un cycle d'autonettoyage, elle reste verrouillée jusqu'à ce que le courant électrique est rétablie et si la température de la cavité du four est inférieure à 570°F (300°C). Faites beaucoup d'attention à ne pas toucher les surfaces frontales chaudes de l'appareil. Tenez les enfants à l'écart.
- Cet appareil a été conçu pour une utilisation domestique. N'utilisez jamais cet appareil pour aucune autre fin!
- Si vous décidez de ne plus utiliser cet appareil (ou de remplacer un vieux modèle), il est recommandé, avant de se débarrasser du modèle non désiré, de le rendre inopérant de façon appropriée, conformément aux règlements sur la santé et la protection de l'environnement. Plus précisément, assurez-vous que toutes les pièces potentiellement dangereuses sont rendues inoffensives, au cas où des enfants joueraient avec l'appareil. Retirez la porte et le tiroir de maintien au chaud avant de mettre l'appareil au rebut pour éviter tout risque d'enfermement.

CONSIGNES ET RECOMMANDATIONS IMPORTANTES POUR L'UTILISATION DES APPAREILS ÉLECTRIQUES

L'utilisation de tout appareil électrique suppose la nécessité de suivre une série de règles fondamentales. Plus précisément :

- Ne touchez jamais l'appareil avec les mains ou les pieds mouillés.
- Ne faites jamais fonctionner l'appareil lorsque vous êtes pieds nus.
- Ne permettez pas aux enfants ni à toute autre personne inapte d'utiliser l'appareil sans surveillance.

Le fabricant ne peut être tenu responsable des dommages provoqués par l'utilisation inopportune, incorrecte ou abusive de l'appareil.

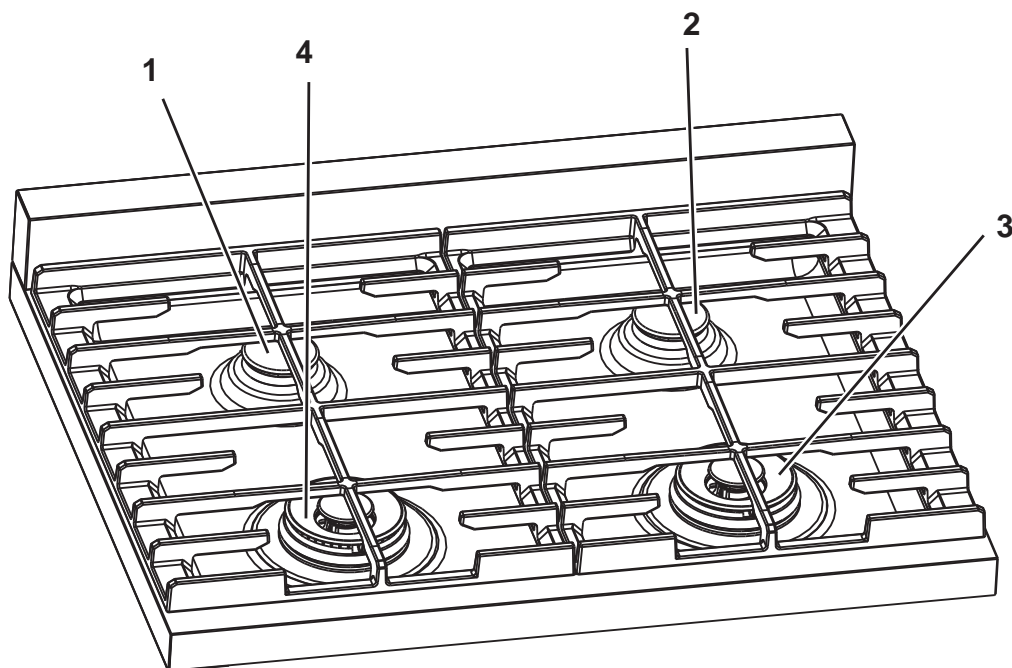


Fig. 1.1

SURFACE DE CUISSON

1. Brûleur semi-rapide (SR) arrière gauche - 8 000 BTU/h
2. Brûleur semi-rapide (SR) arrière droit - 8 000 BTU/h
3. Brûleur double (D) avant droit - 17 000 BTU/h
4. Brûleur double (D) avant gauche - 17 000 BTU/h

Remarque :

- Le dispositif d'allumage électrique est incorporé dans les boutons.
- Cet appareil est muni d'une soupape de sécurité. L'alimentation en gaz s'arrêtera automatiquement si les flammes s'éteignent accidentellement.

ATTENTION :

Si le brûleur s'éteint accidentellement, fermez l'arrivée de gaz à partir du bouton de commande et attendez au moins 1 minute avant d'essayer de le rallumer.

ATTENTION :

Les appareils à gaz dégagent de la chaleur et de l'humidité dans l'environnement dans lequel ils sont installés.

Assurez-vous que la zone de cuisson est bien aérée conformément aux codes nationaux/locaux.

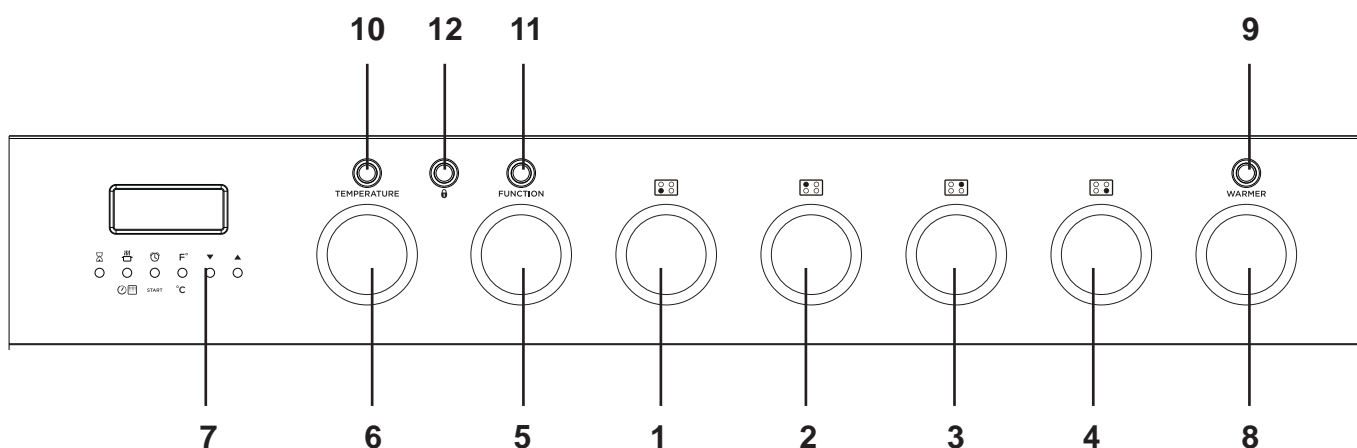


Fig. 1.2

DESCRIPTION DES COMMANDES

Commandes des brûleurs supérieurs:

1. Bouton de commande du brûleur avant gauche (4)
2. Bouton de commande du brûleur arrière gauche (1)
3. Bouton de commande du brûleur arrière droit (2)
4. Bouton de commande du brûleur avant droit (3)

Commandes du four :

5. Bouton de sélection de fonction
6. Bouton de réglage de la température (potentiomètre)
7. Programmateur électronique
8. Bouton de commande du tiroir de maintien au chaud
9. Voyant de fonctionnement du tiroir de maintien au chaud
10. Voyant de chauffe du four
11. Voyant de mise sous tension du four
12. Voyant de verrouillage de la porte

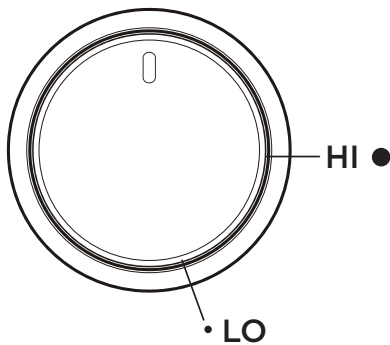
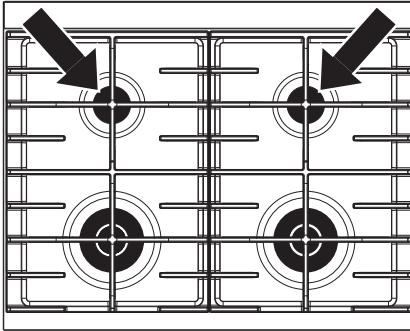


Fig. 2.1

BRÛLEURS À GAZ (Semi-rapide)

Vous pouvez ajuster l'alimentation en gaz des brûleurs en tournant les boutons (fig. 2.1) qui contrôlent les soupapes.

En tournant le bouton de façon à ce que les symboles qui y sont imprimés pointent vers ceux imprimés sur la jante, vous pouvez accomplir les fonctions suivantes:

Position du bouton	Function	Brûleurs SEMI-RAPIDE
OFF	soupape fermée	
HI ●	ouverture maximale	
• LO	ouverture minimale	

La position d'ouverture maximale permet de porter rapidement des liquides à ébullition, tandis que la position d'ouverture minimale permet de laisser mijoter des aliments ou de maintenir l'ébullition des liquides.

Pour réduire l'alimentation en gaz au minimum, tournez le bouton davantage dans le sens antihoraire jusqu'à ce que l'indicateur pointe vers la position **LO** (ouverture minimale).

Vous pouvez procéder à d'autres ajustements intermédiaires en positionnant l'indicateur entre les positions d'ouverture maximale et minimale. Ne positionnez jamais l'indicateur entre la position d'ouverture maximale et la position fermée **OFF**.

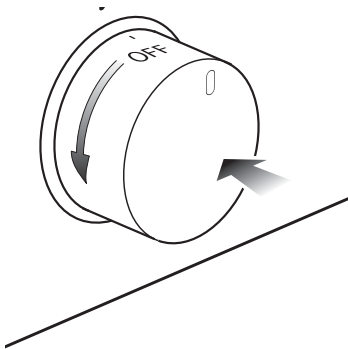


Fig. 2.2

N.B. Lorsque vous n'utilisez pas la cuisinière, tournez les boutons d'alimentation en gaz à la position fermée OFF et fermez le robinet d'arrêt de gaz situé sur le tuyau principal d'alimentation en gaz.

ALLUMAGE DES BRÛLEURS À GAZ MUNIS D'UN DISPOSITIF DE SÉCURITÉ EN CAS D'EXTINCTION DES FLAMMES (Brûleurs semi-rapides)

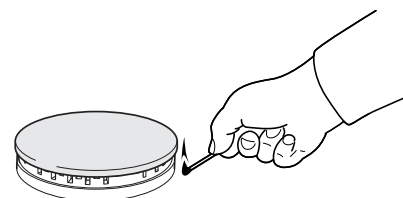
Pour allumer le brûleur, vous devez procéder de la façon suivante :

1. Poussez et tournez le bouton dans le sens antihoraire jusqu'à la position **HI** (ouverture maximale). Enfoncez et tenez le bouton jusqu'à ce que les flammes s'allument (fig. 2.2). Les étincelles produites par le diffuseur situé à l'intérieur du brûleur allumeront les flammes.
Dans le cas où les conditions d'alimentation en gaz locales rendent difficile l'allumage du brûleur avec le bouton à la position **HI** (ouverture maximale), essayez de nouveau en tournant le bouton à la position **LO** (ouverture minimale).
2. Attendez une dizaine de secondes après avoir allumé le brûleur à gaz avant de relâcher le bouton (délai d'activation du dispositif de sécurité).
3. Ajustez le robinet de gaz à la position désirée.

S'il n'y a pas d'alimentation électrique principale, les brûleurs peuvent être utilisés sans aucune restriction.

Dans ce cas, pour allumer le brûleur, vous devez procéder de la façon suivante :

1. Approchez du brûleur la flamme d'une allumette (comme indiqué sur la figure à côté) et la maintenir en place jusqu'à ce que le brûleur s'allume.
2. Poussez et tournez le bouton dans le sens antihoraire jusqu'à la position **HI** (ouverture maximale). Enfoncez et tenez le bouton jusqu'à ce que les flammes s'allument (fig. 2.2).
Dans le cas où les conditions d'alimentation en gaz locales rendent difficile l'allumage du brûleur avec le bouton à la position **HI** (ouverture maximale), essayez de nouveau en tournant le bouton à la position **LO** (ouverture minimale).
3. Attendez une dizaine de secondes après avoir allumé le brûleur à gaz avant de relâcher le bouton (délai d'activation du dispositif de sécurité).
4. Ajustez le robinet de gaz à la position désirée.



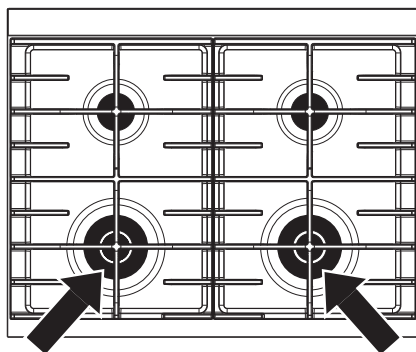
Si les flammes du brûleur s'éteignent pour quelque raison que ce soit, la soupape de sécurité arrêtera automatiquement l'alimentation en gaz.

Pour rallumer le brûleur, réglez le bouton à la position fermée **OFF**, attendez au moins 1 minute et répétez la procédure d'allumage.

Si l'alimentation en gaz locale rend difficile l'allumage du brûleur lorsque le bouton est à la position d'ouverture maximale, tournez le bouton à la position d'ouverture minimale et répétez l'opération.

Attention!

**La cuisinière devient très chaude lorsqu'elle fonctionne.
Tenez les enfants bien à l'écart.**







BRÛLEURS À GAZ (Double)

Le brûleur double est un brûleur très flexible qui comporte différents réglages et permet une cuisson optimale.

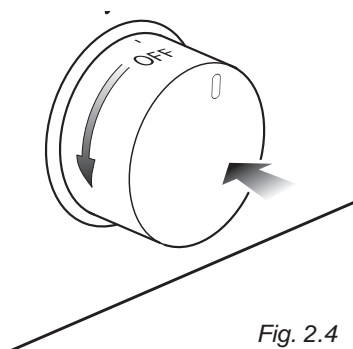
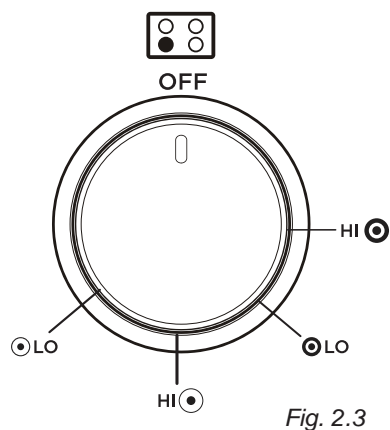
Il est composé d'une couronne intérieure et d'une couronne extérieure; les flammes de la couronne intérieure peuvent être réglées indépendamment des flammes de la couronne extérieure.

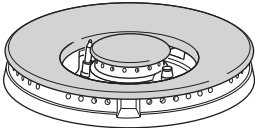

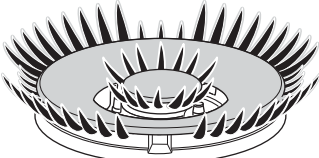

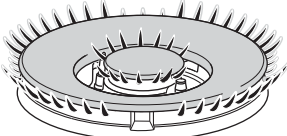

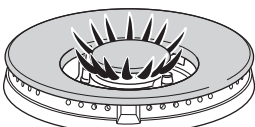

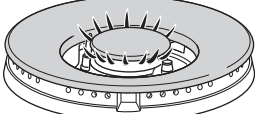
Le brûleur double peut être utilisé:

- Comme brûleur à puissance élevée (toutes les flammes sont produites simultanément par les couronnes intérieure et extérieure) pouvant être ajusté de la position maximale (HI ) à la position minimale ()
Vous pouvez procéder à d'autres ajustements intermédiaires en positionnant l'indicateur entre les positions d'ouverture maximale et minimale. Ne positionnez jamais l'indicateur entre la position d'ouverture maximale et la position fermée **OFF**.
- Comme petit brûleur (seule la couronne intérieure produit les flammes) pouvant être ajusté de la position maximale (HI ) à la position minimale ()

Vous pouvez ajuster l'alimentation en gaz du brûleur en tournant le bouton de commande (fig. 2.3) qui contrôle les soupapes.

En tournant le bouton de façon à ce que les symboles qui y sont imprimés pointent vers ceux imprimés sur la jante, vous pouvez accomplir les fonctions suivantes



Position du bouton	Fonction	Brûleur DOUBLE
OFF	soupape fermée	
HI 	ouverture maximale des couronnes intérieure et extérieure (couronnes de flammes intérieure et extérieure toutes au maximum uniquement)	
 LO	ouverture minimale des couronnes intérieure et extérieure (couronnes de flammes intérieure et extérieure toutes au minimum uniquement)	
HI 	ouverture maximale de la couronne intérieure (couronne de flammes intérieure au maximum uniquement)	
 LO	ouverture minimale de la couronne intérieure (couronne de flammes intérieure au minimum uniquement)	

ALLUMAGE DES BRÛLEURS À GAZ MUNIS D'UN DISPOSITIF DE SÉCURITÉ EN CAS D'EXTINCTION DES FLAMMES (Brûleurs doubles)

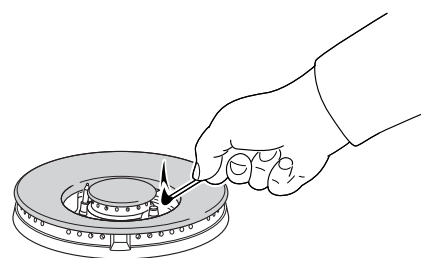
Pour allumer le brûleur, vous devez procéder de la façon suivante :

1. Poussez et tournez le bouton dans le sens antihoraire jusqu'à la position **HI** (ouverture maximale). Enfoncez et tenez le bouton jusqu'à ce que les flammes s'allument (fig. 2.4). Les étincelles produites par le diffuseur situé à l'intérieur du brûleur allumeront les flammes. Dans le cas où les conditions d'alimentation en gaz locales rendent difficile l'allumage du brûleur avec le bouton à la position **HI** (ouverture maximale), essayez de nouveau en tournant le bouton à la position **LO** (ouverture minimale).
2. Attendez une dizaine de secondes après avoir allumé le brûleur à gaz avant de relâcher le bouton (délai d'activation du dispositif de sécurité).
3. Ajustez le robinet de gaz à la position désirée.

S'il n'y a pas d'alimentation électrique principale, les brûleurs peuvent être utilisés sans aucune restriction.

Dans ce cas, pour allumer le brûleur, vous devez procéder de la façon suivante :

1. Approchez du brûleur la flamme d'une allumette (comme indiqué sur la figure à côté) et la maintenir en place jusqu'à ce que le brûleur s'allume.
2. Poussez et tournez le bouton dans le sens antihoraire jusqu'à la position **HI** (ouverture maximale). Enfoncez et tenez le bouton jusqu'à ce que les flammes s'allument (fig. 2.4). Dans le cas où les conditions d'alimentation en gaz locales rendent difficile l'allumage du brûleur avec le bouton à la position **HI** (ouverture maximale), essayez de nouveau en tournant le bouton à la position **LO** (ouverture minimale).
3. Attendez une dizaine de secondes après avoir allumé le brûleur à gaz avant de relâcher le bouton (délai d'activation du dispositif de sécurité).
4. Ajustez le robinet de gaz à la position désirée.



Si les flammes du brûleur s'éteignent pour quelque raison que ce soit, la soupape de sécurité arrêtera automatiquement l'alimentation en gaz.

Pour rallumer le brûleur, réglez le bouton à la position fermée **OFF**, attendez au moins 1 minute et répétez la procédure d'allumage.

Si l'alimentation en gaz locale rend difficile l'allumage du brûleur lorsque le bouton est à la position d'ouverture maximale, tournez le bouton à la position d'ouverture minimale et répétez l'opération.

N.B. Lorsque vous n'utilisez pas la cuisinière, tournez les boutons d'alimentation en gaz à la position fermée **OFF et fermez le robinet d'arrêt de gaz situé sur le tuyau principal d'alimentation en gaz.**

Attention!

La cuisinière devient très chaude lorsqu'elle fonctionne. Tenez les enfants bien à l'écart.

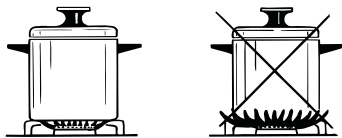


Fig. 2.5

CHOIX DU BRÛLEUR (fig. 2.5)

Les symboles ou les inscriptions imprimées sur le tableau situé au-dessus des boutons de commande indiquent la correspondance entre le bouton et le brûleur :

Vous devez choisir le brûleur le plus approprié en fonction du diamètre et de la capacité de volume du récipient à chauffer.

Il est important que le diamètre des casseroles convienne le mieux possible à la capacité de cuisson des brûleurs de façon à ne pas compromettre l'efficacité des brûleurs et ainsi entraîner un gaspillage de gaz.

Le fait de placer une casserole de petit diamètre sur un grand brûleur ne permet pas nécessairement une ébullition plus rapide.

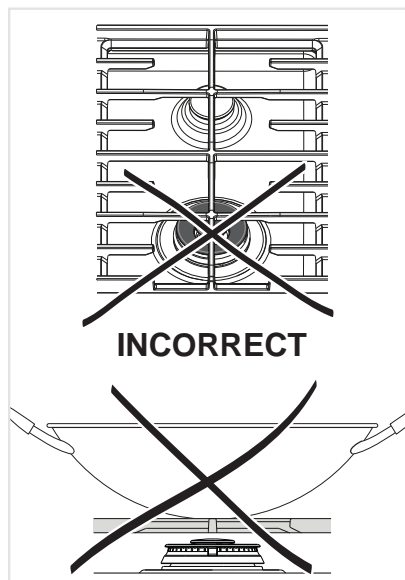


Fig. 2.6a

DIAMÈTRES DES CASSEROLES À UTILISER SUR LES BRÛLEURS DE LA SURFACE DE CUISSON

BRÛLEUR	MINIMUM	MAX.
Semi-rapide	16 cm (6-19/64 po)	24 cm (9-7/16 po)
Double	26 cm (10-3/16 po)	28 cm (11-1/16 po)
Woks minimum 36 cm (14-3/16 po) - max. 40 cm (15-3/4 po)		
N'utilisez pas d'ustensiles à fond concave ou convexe		

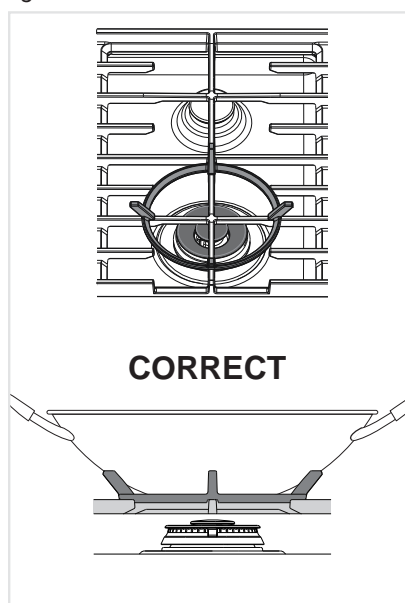


Fig. 2.6b

UTILISATION ADÉQUATE DES BRÛLEURS DOUBLES

(fig. 2.6a, 2.6b)

Vous devez placer les ustensiles à fond plat directement sur le support de plat.

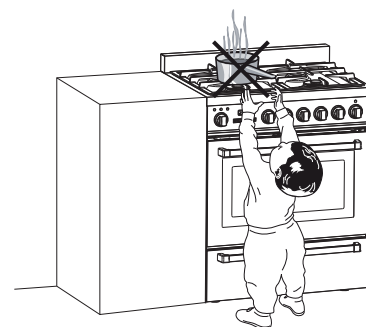
Lorsque vous utilisez un WOK, vous devez placer le support fourni dans le brûleur pour éviter d'endommager le brûleur double (fig. 2.6a, 2.6b).

IMPORTANT:

La grille spéciale conçue pour les woks (fig. 2.6b) **DOIT ÊTRE PLACÉE SEULEMENT** sur le support de plat conçu pour le brûleur double.



Assurez-vous que la poignée des ustensiles ne dépasse pas du rebord de la cuisinière, pour éviter de les renverser par accident. Cette précaution rend aussi l'accès aux ustensiles de cuisson plus difficile pour les enfants.



CARACTÉRISTIQUES GÉNÉRALES

Le tiroir de maintien au chaud est doté d'un élément chauffant (500 W) situé sur le dessus.

La chaleur peut être réglée de 86°F (30°C) [position **LO** min] à 203°F (95°C) [position **HI** max].

UTILISATION DU TIROIR DE MAINTIEN AU CHAUD POUR LA PREMIÈRE FOIS

- Mettez en marche le tiroir de maintien au chaud vide à la puissance maximale pendant environ 2 heures pour éliminer toute trace de graisse ou odeur des composants.
- Une fois le tiroir de maintien au chaud refroidi et la cuisinière débranchée, nettoyez l'intérieur du tiroir à l'aide d'un linge imbibé d'eau et de détergent neutre et séchez-le en totalité.

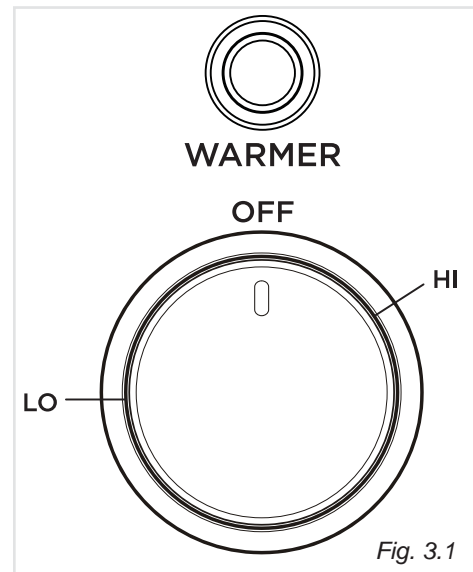
AVERTISSEMENT: Le tiroir est chaud lorsqu'il fonctionne, utilisez la poignée.

UTILISATION DU TIROIR DE MAINTIEN AU CHAUD

- Enfoncez et tournez le bouton de commande à un réglage de température: **LO** (position min), **HI** (position max) ou entre les positions min et max.
- Laissez le temps au tiroir de préchauffer.
- Si vous prévoyez utiliser la grille, laissez-la en place lors du préchauffage.
- Préchauffez un plat de service vide en même temps que vous préchauffez le tiroir.
- Mettez les aliments cuits et chauds dans un ustensile de cuisson ou dans des plats de service qui résistent à la chaleur.
- Les aliments peuvent être conservés au chaud dans le récipient ayant servi à la cuisson ou transférés dans un plat de service résistant à la chaleur.
- Vous pouvez recouvrir les aliments de papier d'aluminium.

UTILISATION ADÉQUATE DU TIROIR DE MAINTIEN AU CHAUD

- Le tiroir de maintien au chaud maintiendra les plats cuits et chauds à la température à laquelle ils seront servis.
- Commencez toujours par des plats chauds.
- Ne l'utilisez pas pour réchauffer des aliments froids, sauf s'il s'agit de faire fermenter de la pâte ou de rendre croustillants des craquelins, des croustilles ou des céréales sèches. Ne l'utilisez pas non plus pour réchauffer des assiettes ou des plats.
- Soyez prudent lorsque vous ouvrez le tiroir. Entrouvrez la porte et laissez l'air chaud ou la vapeur s'échapper avant d'enlever ou de remettre des aliments.
- Ne placez pas de récipients de nourriture fermés dans le tiroir. La pression pourrait s'accumuler et faire exploser le récipient.
- Ne touchez pas la surface intérieure du tiroir lorsque celui-ci fonctionne. L'intérieur du tiroir peut devenir assez chaud pour causer des brûlures.
- N'utilisez que des maniques sèches. Des maniques humides sur des surfaces chaudes pourraient entraîner des brûlures par suite de dégagement de chaleur. N'utilisez pas de serviette ou autre linge épais à la place des maniques. Ne laissez pas les maniques toucher l'élément chauffant situé au-dessus du tiroir.
- N'utilisez pas de papier d'aluminium pour tapisser le tiroir. Le papier d'aluminium est un excellent isolant thermique et retiendra la chaleur. Il entraverait les performances du tiroir et pourrait endommager le revêtement intérieur.
- N'entreposez pas de matériaux inflammables dans le tiroir.
- N'utilisez pas de récipients en plastique. N'utilisez que des récipients résistants à la chaleur.
- N'utilisez pas le tiroir de maintien au chaud comme tiroir de rangement.



AVERTISSEMENT:

Le tiroir de maintien au chaud est conçu pour permettre aux aliments chauds de conserver leur chaleur. Ne l'utilisez jamais pour chauffer une pièce ou chauffer des assiettes.

ATTENTION: Les récipients en plastique ou pellicules plastiques peuvent fondre s'ils sont en contact direct avec le tiroir ou un ustensile chaud. S'ils fondent sur le tiroir, ils ne peuvent être enlevés.

IMPORTANT: Ne faites pas fonctionner le tiroir de maintien au chaud pendant le cycle d'autonettoyage.

Si le bouton de commande du tiroir de maintien au chaud se trouve à une position de marche lors de l'autonettoyage, tournez-le à la position **OFF** (arrêt). Sinon, le tiroir de maintien au chaud se mettra en marche à la fin du cycle d'autonettoyage et après que vous aurez tourné le bouton de commande de sélection du four à la position **OFF** (arrêt).

Position du bouton	°F	°C
LO (min)	86	30
entre LO (min) et HI (max)	de 87 à 202	de 31 à 94
HI (max)	203	95

SÉLECTEUR DE TEMPÉRATURE

Vous pouvez régler la température à n'importe quelle position entre **LO** (min) and **HI** (max).

VOYANT AVERTISSEUR

Le voyant avertisseur est situé au-dessus du bouton de commande et s'allume lorsque le tiroir de maintien au chaud est réglé. Il reste allumé jusqu'à ce que le bouton soit tourné à la position **OFF** (arrêt).

GRILLE RÉVERSIBLE

La grille devrait être placée tel qu'indiqué aux figures 3.2 et 3.3.

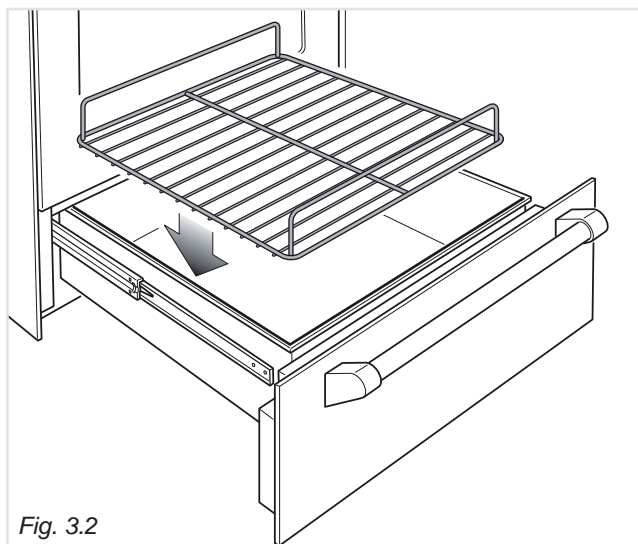


Fig. 3.2

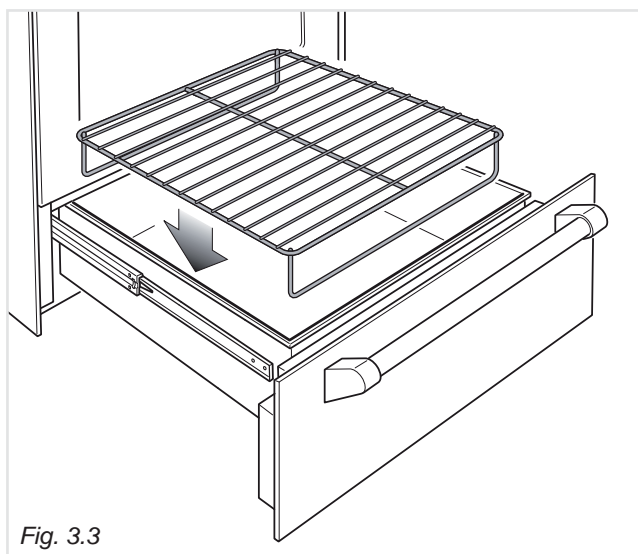


Fig. 3.3

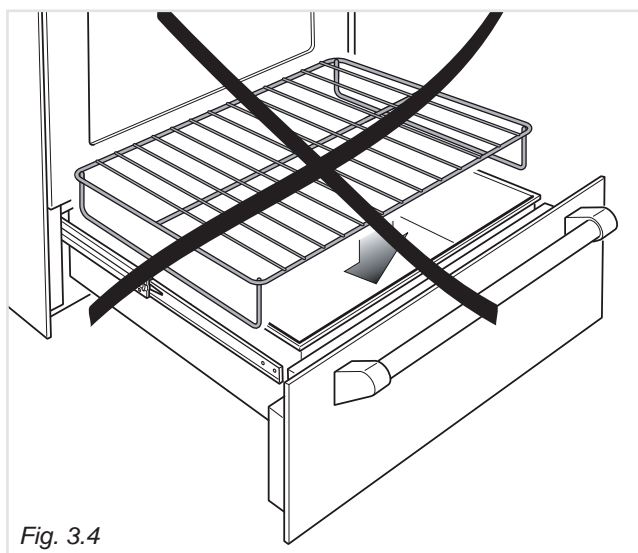


Fig. 3.4

CARACTÉRISTIQUES GÉNÉRALES

Le four comporte des caractéristiques de fonctionnement spéciales.

Cinq fonctions différentes sont mises à votre disposition pour satisfaire tous vos besoins de cuisson. La cuisinière comporte aussi une fonction autonettoyante qui permet de nettoyer la cavité du four à haute température, une fonction de décongélation et une fonction d'éclairage du four.


Ces fonctions sont gérées par un programmeur électronique qui maintient le réglage de température constant à l'intérieur de la cavité du four au moyen d'une sonde.

Les fours comportent les éléments chauffants suivants :



- Élément chauffant inférieur (double) 550 + 1750 W
- Élément chauffant supérieur 1200 W
- Élément chauffant du grill 2850 W
- Élément chauffant circulaire 2450 W

REMARQUES SUR LE FONCTIONNEMENT DU FOUR

Un ventilateur de refroidissement se met en marche automatiquement lorsque vous sélectionnez un mode de cuisson, décongélation ou l'autonettoyage.

Il s'arrête lorsque vous tournez le bouton de sélection de fonction à la position OFF (arrêt) ou  (lampe du four), et que la température interne de la cavité du four descend sous 302°F (150°C).

La fonction de ce ventilateur est de réduire la température à l'intérieur ou à l'extérieur de l'appareil.

Remarque : Lors de la première utilisation du four ou après une panne d'électricité, vous devez mettre en marche le programmeur en appuyant simultanément sur les boutons  et . Consultez la section concernant l'utilisation du programmeur électronique.

UTILISATION DU FOUR POUR LA PREMIÈRE FOIS

- Insérez la grille et le plateau.
- Faites fonctionner le four vide (fonction de cuisson – PAS AUTONETTOYAGE) à puissance maximale pendant environ 2 heures pour retirer toute trace de graisse et odeur des composantes.
- Une fois le four refroidi et la cuisinière débranchée, nettoyez l'intérieur du four à l'aide d'un linge imbibé d'eau et de détergent neutre et séchez-le en totalité.

AVERTISSEMENT :

La porte est chaude, utilisez la poignée.

PRINCIPES DE FONCTIONNEMENT

Le chauffage et la cuisson dans le four autonettoyant multifonction sont ainsi obtenus :

- **par convection naturelle**
La chaleur est produite par les éléments chauffants inférieur et supérieur.
- **par convection semi-forcée**
La chaleur produite par les éléments chauffants supérieur et inférieur est distribuée partout dans le four par le ventilateur.
- **par convection forcée**
La chaleur est produite par l'élément circulaire et diffusée dans le four grâce au ventilateur.
- **par rayonnement**
La chaleur est irradiée par l'élément du grill infrarouge.
- **par rayonnement et ventilation**
La chaleur irradiée produite par l'élément du grill infrarouge est diffusée dans le four grâce au ventilateur.
- **par ventilation**
Les aliments sont décongelés seulement grâce au ventilateur, sans chaleur.
IL NE S'AGIT PAS D'UNE FONCTION DE CUISSON
- **par autonettoyage**
La chaleur produite par les éléments chauffants nettoie la cavité interne du four et élimine les résidus de graisse.

Attention: La porte du four devient très chaude lorsque le four fonctionne.

Tenez les enfants à l'écart.

TRÈS IMPORTANT

Le four doit toujours être utilisé avec la porte du four fermée.

N'UTILISEZ JAMAIS LA CUISINIÈRE LORSQUE LE FOUR EST EN MODE AUTONETTOYAGE. NE FAITES PAS FONCTIONNER LES BRÛLEURS SUPÉRIEURS.

UNE FOIS L'AUTONETTOYAGE COMPLÉTÉ: N'entrez pas tout de suite un nouveau cycle d'autonettoyage. LAISSEZ LA CUISINIÈRE RE-FROIDIR.

IMPORTANT: NE FAITES PAS FONCTIONNER LE TIROIR DE MAINTIEN AU CHAUD PENDANT LE CYCLE D'AUTONETTOYAGE.

Si le bouton de commande du tiroir de maintien au chaud se trouve à une position de marche lors de l'autonettoyage, tournez-le à la position OFF (arrêt). Sinon, le tiroir de maintien au chaud se mettra en marche à la fin du cycle d'autonettoyage et après que vous aurez tourné le bouton de commande de sélection du four à la position OFF (arrêt).



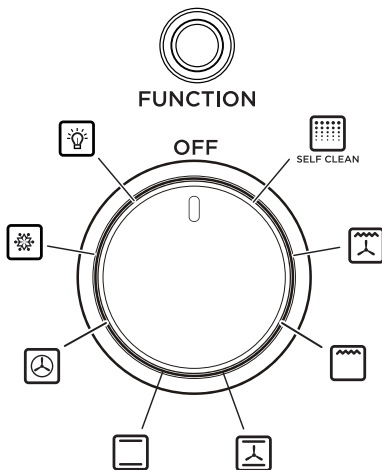



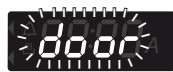
Fig. 4.1

SÉLECTION DES FONCTIONS (figures 4.1, 4.2a, 4.2b)

Vous pouvez sélectionner la fonction en tournant le bouton de sélection de fonction de façon à ce que le marquage sur le bouton corresponde au marque de référence imprimé sur le tableau.

NOTE IMPORTANTE POUR LES FONCTIONS DE CUISSON: Après la sélection de la fonction et de la température (la température clignote sur l'écran d'affichage du programmeur - fig. 4.2a), appuyez sur le bouton **START** ("START", départ) du programmeur pour démarrer la cuisson (la température et le symbole  apparaissent en continu sur l'écran d'affichage du programmeur - fig. 4.2b).

Important: Peu importe la fonction de cuisson utilisée, la PORTE du four doit toujours être FERMÉE.



Si la porte reste ouverte, l'inscription "door" (porte) clignote sur l'écran d'affichage du programmeur et après quelques minutes, un signal sonore se fait entendre pendant environs 30 secondes.

Pour arrêter le signal sonore, appuyez sur n'importe quel bouton du programmeur.

REMARQUE: Les éléments chauffants fonctionnent même lorsque la porte est ouverte et cet avertisseur ne fait que signaler une perte d'énergie et une chaleur excessive aux panneau et boutons de contrôle.

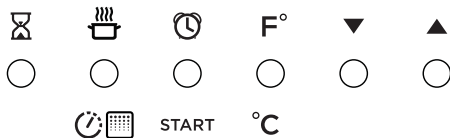
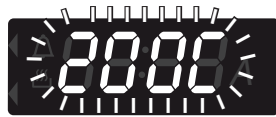


Fig. 4.2a



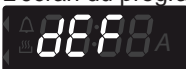
(Lampe du Four - il ne s'agit pas d'une fonction de cuisson)

Lorsque vous tournez le bouton à cette position, seule la lampe du four s'allume. La lampe reste allumée quelle que soit la fonction utilisée (sauf lors du cycle d'autonettoyage).



(Décongélation des Aliments - il ne s'agit pas d'une fonction de cuisson)

Seuls le ventilateur et la lampe du four se mettent en marche. La décongélation est effectuée par le ventilateur, sans chaleur. L'écran du programmeur électronique affiche **DEF**.



Recommandée pour :

Décongeler rapidement des aliments; environ une heure pour 2,2 lb (1 kg).

Le temps de décongélation varie en fonction de la quantité et du type d'aliment à décongeler.

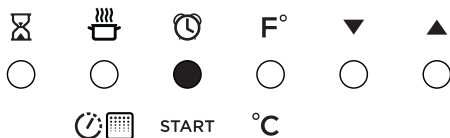


Fig. 4.2b



(Cuisson par Convection Ventilée)

L'élément circulaire et le ventilateur se mettent en marche.

La chaleur provenant de l'arrière est diffusée par ventilo-convection.

La température peut être réglée entre 120°F (50°C) et 535°F (280°C).

Lorsque vous sélectionnez cette fonction, le programmeur électronique commence la cuisson avec une température de préchauffage réglée à 355°F (180°C).

Pour modifier cette température, consultez la section "REGLAGE DE LA CUISSON".

Recommandée pour :

Des aliments de grand volume et en grande quantité qui nécessitent le même degré de cuisson à l'intérieur et à l'extérieur, p. ex. des rôtis roulés, de la dinde, des pilons, des gâteaux, etc.



(Cuisson à Convection Classique)

Les éléments chauffants supérieur et inférieur se mettent en marche.
La chaleur est diffusée par convection naturelle et la température doit être réglée entre 120°F (50°C) et 535°F (280°C).

Lorsque vous sélectionnez cette fonction, le programmateur électronique commence la cuisson avec une température de préchauffage réglée à 390°F (200°C).

Pour modifier cette température, consultez la section "REGLAGE DE LA CUISSON".

Recommandée pour :

Des aliments nécessitant la même température de cuisson tant à l'intérieur qu'à l'extérieur, p. ex. des rôtis, des côtes levées, etc.



(Cuisson par Convection Classique avec Ventilateur)

Les éléments chauffants inférieur et supérieur ainsi que le ventilateur s'allument.

La chaleur du haut et du bas est diffusée par convection ventilée.

La température doit être réglée entre 120°F (50°C) et 535°F (280°C).

Lorsque vous sélectionnez cette fonction, le programmateur électronique commence la cuisson avec une température de préchauffage réglée à 355°F (180°C).

Pour modifier cette température, consultez la section "REGLAGE DE LA CUISSON".

Recommandé pour:

Aliments de grandes dimensions qui nécessitent le même degré de cuisson à l'extérieur et à l'intérieur; par ex. roulés, dindes, gigots, gâteaux, etc.



(Cuisson au Gril)

L'élément chauffant infrarouge se met en marche.

La chaleur est diffusée par rayonnement.

La température peut être réglée entre 120°F (50°C) et 520°F (270°C).

Lorsque vous sélectionnez cette fonction, le programmateur électronique commence la cuisson avec une température de préchauffage réglée à 410°F (210°C).

Pour modifier cette température, consultez la section "REGLAGE DE LA CUISSON".

Pour une utilisation adéquate, consultez la section "CUISSON AU GRIL".

Recommandée pour :

Une action intense de cuisson au gril; pour dorer des plats, pour rendre croustillant, pour griller, pour rôtir, etc.



(Cuisson au Gril Ventilée)

L'élément chauffant infrarouge et le ventilateur se mettent en marche.

La chaleur est diffusée principalement par rayonnement et le ventilateur la distribue dans tout le four.

La température peut être réglée entre 120°F (50°C) et 520°F (270°C).

Lorsque vous sélectionnez cette fonction, le programmateur électronique commence la cuisson avec une température de préchauffage réglée à 430°F (220°C).

Pour modifier cette température, consultez la section "REGLAGE DE LA CUISSON".

Pour une utilisation adéquate, consultez la section "CUISSON AU GRIL VENTILÉE".

Recommandée pour :

La cuisson au gril, lorsqu'il faut dorer rapidement l'extérieur et garder les jus à l'intérieur, p. ex. bifteck de veau, bifteck, galette de boeuf haché, etc.

ATTENTION: Au cours de l'autonettoyage, les pièces accessibles peuvent devenir très chaudes.

Tenez les enfants à l'écart.

N'UTILISEZ JAMAIS LA CUISINIÈRE LORSQUE LE FOUR EST EN MODE AUTONETTOYAGE.

NE FAITES PAS FONCTIONNER LES BRÛLEURS SUPÉRIEURS.

IMPORTANT: NE FAITES PAS FONCTIONNER LE TIROIR DE MAINTIEN AU CHAUD PENDANT LE CYCLE D'AUTONETTOYAGE.

Si le bouton de commande du tiroir de maintien au chaud se trouve à une position de marche lors de l'autonettoyage, tournez-le à la position OFF (arrêt). Sinon, le tiroir de maintien au chaud se mettra en marche à la fin du cycle d'autonettoyage et après que vous aurez tourné le bouton de commande de sélection du four à la position OFF (arrêt).

UNE FOIS L'AUTONETTOYAGE COMPLÉTÉ: Ne procédez pas immédiatement à un nouveau cycle d'autonettoyage du four.

LAISSEZ REFROIDIR CUISINIÈRE.

IMPORTANT: Certains oiseaux sont très sensibles aux vapeurs dégagées pendant l'autonettoyage des fours.

Une exposition à ces vapeurs pourrait causer la mort de certains oiseaux.

Placez toujours les oiseaux dans une autre pièce fermée et bien aérée.



SELF CLEAN

(Fonction Autonettoyage - il ne s'agit pas d'une fonction de cuisson)

REMARQUES IMPORTANTES :


Ce n'est pas une fonction de cuisson; elle ne sert qu'à nettoyer le four.

Avant de démarrer le cycle d'autonettoyage :






- Retirez tous les accessoires du four (lèche-frite et grille).
- Essuyez toute trace de liquide qui aurait débordé.
- Fermez la porte du four et assurez-vous qu'elle est bien fermée.

Si vous apercevez des fêlures ou des défauts sur la vitre de la porte du four (intérieur/extérieur), si les joints sont abîmés ou usés, ou si la porte ne ferme pas correctement, débranchez l'appareil et contactez le Centre de réparation.

RENSEIGNEMENTS GÉNÉRAUX

- Cette fonction permet de pulvériser les résidus de graisse de cuisson accumulés sur les parois de la cavité du four grâce à la température élevée. Les vapeurs produites au cours de cette opération sont filtrées par un catalyseur spécial situé dans la partie supérieure de l'appareil.
- Les odeurs et vapeurs produites au cours de l'autonettoyage ne doivent pas vous inquiéter. Toutefois, la pièce où se trouve la cuisinière devrait être convenablement aérée, par exemple en ouvrant une fenêtre.
- N'attendez pas que le four soit très sale avant de procéder au nettoyage. Toutefois, ne le nettoyez pas après chaque usage, mais seulement lorsque la quantité de saleté le justifie (en moyenne 1 à 2 fois par mois selon l'usage que vous faites de votre four).
- Pour des raisons de sécurité (température élevée de la cavité du four), lorsque l'autonettoyage se met en marche, la porte du four se verrouille automatiquement grâce à un dispositif électronique (après quelques secondes, le voyant de verrouillage de la porte [ - porte verrouillée] s'allume sur le tableau de commande). La porte ne peut désormais plus être ouverte. Elle n'est déverrouillée qu'à la fin du cycle d'autonettoyage ou, si le cycle est arrêté, lorsque la cavité du four a refroidi à une température inférieure à 570°F (300°C).
- Lorsque la fonction d'autonettoyage se met en marche, un ventilateur interne démarre automatiquement pour refroidir les parois du four. Il ne s'arrête qu'à la fin du cycle, lorsque la température de la cavité du four est inférieure à 302°F (150°C).
- Les procédures de démarrage, d'arrêt et de complétion du cycle d'autonettoyage et la procédure à suivre en cas de problèmes sont décrites aux sections suivantes :
 - "COMMENT DÉMARRER L'AUTONETTOYAGE";
 - "PROBLÈMES DE DÉMARRAGE ET DE FONCTIONNEMENT DU CYCLE D'AUTONETTOYAGE";
 - "COMMENT ARRÊTER L'AUTONETTOYAGE";
 - "QUE FAIRE LORSQUE L'AUTONETTOYAGE EST TERMINÉ";
 - "SITUATIONS ANORMALES ET/OU PROBLÈMES DE FONCTIONNEMENT".

SÉLECTION DE °F/°C SUR L'ÉCRAN D'AFFICHAGE








1. Tournez le bouton de sélection de fonction du four à une fonction de cuisson (ex.  - Cuisson à Convection Classique).
2. Appuyez sur le bouton  du programmeur (ou utilisez le bouton de réglage de la température) pour réduire la température jusqu'à atteindre la valeur minimale (120°F/50°C).
3. Appuyez sur le bouton  du programmeur.
4. Maintenez la touche  enfoncée (la température clignote) jusqu'à ce que "°F" ou "°C" clignote; ensuite appuyez sur le bouton  à nouveau pour changer de °C à °F ou vice versa. Lors de la sélection, "°F" ou "°C" clignote.

Après la sélection de °F ou °C, tournez le bouton de sélection de fonction à la position **OFF** (arrêt).

RÉGLAGE DE LA CUISSON (SEULEMENT POUR LES FONCTIONS DE CUISSON)

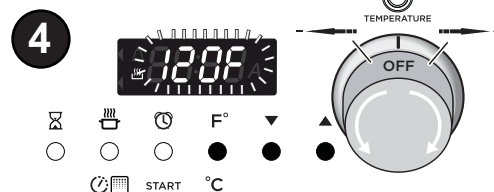
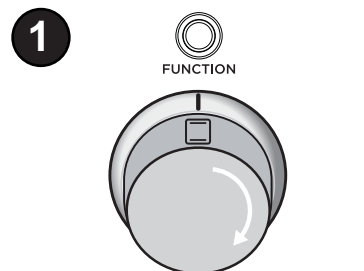
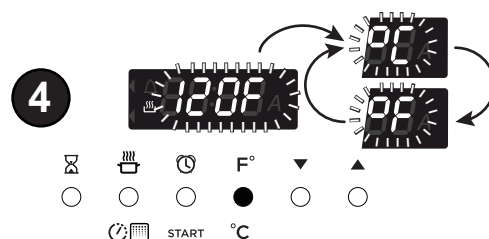
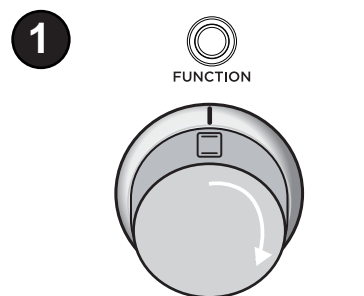
La température réglée est affichée sur l'écran d'affichage du programmeur électronique et peut être modifiée, à intervalles de 5°F (5°C), à l'aide des boutons du programmeur ou de bouton de réglage de la température.

Lors de la cuisson, la température du four (°F ou °C) est mesurée par un capteur situé à l'intérieur de la cavité et est indiquée sur l'écran du programmeur jusqu'à ce que la température réglée soit atteinte. Si la température réglée est inférieure à la température de l'intérieur du four, l'écran affiche la température réglée.

1. **SÉLECTION DE LA FONCTION DE CUISSON**
Tournez le bouton de sélection de fonction à la fonction de cuisson désirée.
2. **SÉLECTION DE LA TEMPÉRATURE DE CUISSON**
La température préréglée apparaît sur l'écran d'affichage du programmeur. Tournez le bouton de réglage de la température vers la droite pour augmenter la température ou vers la gauche pour la réduire. En alternative appuyez sur le bouton  du programmeur pour augmenter la température ou le bouton  pour la réduire.
3. **DÉMARRER LA CUISSON**
Appuyez sur le bouton  du programmeur pour démarrer la cuisson.
IMPORTANT : La cuisson ne démarre pas si le bouton  n'est pas appuyé.
4. **MODIFICATION DE LA TEMPÉRATURE PENDANT LA CUISSON**
La température peut être modifiée en utilisant le bouton de réglage de la température.
En alternative elle peut être modifiée en utilisant le programmeur: appuyez sur le bouton  et ensuite appuyez sur le bouton  du programmeur pour augmenter la température ou le bouton  pour la réduire.
Pendant la régulation, la température clignote sur l'écran d'affichage.
La température minimale est de 120°F (50°C) tandis que la température maximale est de: 520°F (270°C) pour le gril et gril ventilée; 535°F (280°C) pour les autres fonction de cuisson.

ARRÊT

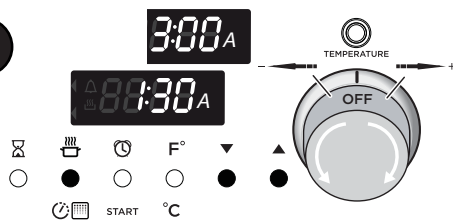
Tournez le bouton de sélection de fonction à la position **OFF** (four ARRÊTÉ). L'écran d'affichage du programmeur affiche l'heure.



2



3



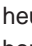


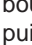



4



COMMENT DÉMARRER L'AUTONETTOYAGE

Important : L'autonettoyage ne doit être effectué que lorsque le four est vide; donc, avant de démarrer le cycle, retirez tous les accessoires (grilles, lèche-frite, ...) de la cavité du four et essuyez toute trace de liquide qui aurait débordé. N'utilisez aucun produit de dégraissage (ex. pulvérisateur dégraissant, détergents, etc.).

1. Fermez la porte du four (si elle est ouverte ou mal fermée, "door" [porte] clignotant sur l'écran d'affichage du programmateur, l'autonettoyage ne démarrera pas).
2. Tournez le bouton de sélection de fonction du four à la position d'autonettoyage  ; "P1:30" (durée de l'autonettoyage, 1 heure et 30 minutes) s'affiche sur l'écran du programmateur électronique et la lettre "P" clignote.
3. Pour augmenter la durée de l'autonettoyage (max. 3 heures), appuyez sur le bouton  du programmateur, puis sur le bouton . Pour réduire la durée à 1 heure et 30 minutes (durée minimale), appuyez sur le bouton , puis sur le bouton . Alternativement appuyez sur le bouton  du programmateur et puis tournez le bouton de réglage de la température vers la droite pour augmenter la durée ou vers la gauche pour la réduire. Lors du réglage "P" disparaît.
4. Appuyez sur le bouton **START** du programmateur pour démarrer le cycle. Cette opération de confirmation combinée offre plus de sécurité pour les enfants; tourner le bouton à la fonction autonettoyage ne produira aucun effet si le bouton **START** du programmateur n'est pas enfoncé. "PH:MM" (H:MM=durée de l'autonettoyage où H=heure/s et MM=minutes) s'affiche sur l'écran du programmateur électronique et la porte se verrouille après quelques secondes. Sur le tableau de commande, le voyant de verrouillage de la porte (**DOOR** porte verrouillée) s'allume pour indiquer que la porte est verrouillée.

L'autonettoyage démarre immédiatement (le symbole  s'allume) et est complété dans le temps programmé. Pendant l'autonettoyage, le programmateur indique le temps (heures et minutes) restant avant la fin du cycle.

TRÈS IMPORTANT :

L'autonettoyage ne démarre que lorsque la porte du four est fermée. Si la porte du four est ouverte ou mal fermée ("door" [porte] clignotant sur l'écran d'affichage du programmateur), le four NE PEUT PAS accomplir le cycle d'autonettoyage; des dispositifs de sécurité électronique empêchent le démarrage du cycle d'autonettoyage.

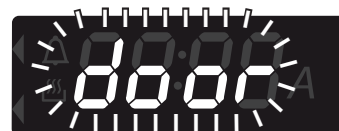
PROBLÈMES DE DÉMARRAGE ET DE FONCTIONNEMENT DU CYCLE D'AUTONETTOYAGE

1. “door” (porte) clignote sur l'écran d'affichage du programmeur

La porte du four était ouverte ou mal fermée lorsque le bouton de sélection de fonction a été tourné à la position d'autonettoyage. Ou la porte a été ouverte avant la confirmation de démarrage du cycle à partir du bouton **START**.

Que faire:

- Fermez la porte et répétez les opérations de démarrage du cycle.



2. “F0E0” et “A” apparaissent sur l'écran d'affichage du programmeur

L'autonettoyage a été arrêté puis redémarré (immédiatement). Le message s'affiche après environ 15 minutes et le cycle d'autonettoyage est annulé.

Que faire:

- Tournez le bouton de sélection de fonction du four à **OFF** (four arrêté).
- Attendez au moins 30 minutes.
- Répétez les opérations de démarrage du cycle d'autonettoyage.
- Si après plusieurs tentatives le message s'affiche toujours, communiquez avec le centre de réparation.



Attention: Il est recommandé de ne pas arrêter le cycle d'autonettoyage pour ensuite le redémarrer lorsque celui-ci n'est pas complété.

3. “Fdor” apparaît sur l'écran d'affichage du programmeur

Mauvais fonctionnement du système de verrouillage porte.

Que faire:

- Tournez le bouton de sélection de fonction du four à **OFF** (four arrêté).
- Attendez que le four ait refroidi complètement et déconnectez la cuisinière de l'alimentation électrique principale.
- Réconnectez la cuisinière à l'alimentation électrique principale.

Si après cette procédure “Fdor” apparaît encore sur l'écran d'affichage:

- Déconnectez la cuisinière de l'alimentation électrique principale.
- Appelez le centre de réparation. Vous ne devez plus utiliser la cuisinière.





COMMENT ARRÊTER L'AUTONETTOYAGE

1. Tournez le bouton de sélection de fonction à **OFF** (four ARRÊTÉ)

Si la température de la cavité du four est supérieure à 570°F (300°C):

- "Hot" (chaud) apparaît sur l'écran d'affichage du programmeur.
- Lorsque la température de la cavité du four descend sous 570°F (300°C):
 - le voyant de verrouillage de la porte s'éteint;
 - la porte se déverrouille et peut être ouverte;
 - l'heure apparaît sur l'écran d'affichage du programmeur.

Si la température de la cavité du four est inférieure à 570°F (300°C):

- L'heure apparaît sur l'écran d'affichage du programmeur.
- Après un temps technique :
 - le voyant de verrouillage de la porte s'éteint;
 - la porte se déverrouille et peut être ouverte.

IMPORTANT : Attendez que le four refroidisse complètement avant d'utiliser une fonction de cuisson.

2. **INTERRUPTION ACCIDENTELLE DU CYCLE D'AUTONETTOYAGE**

Le bouton de sélection de fonction a été réglé sur une fonction de cuisson.

Si la température de la cavité du four est supérieure à 570 °F (300 °C):

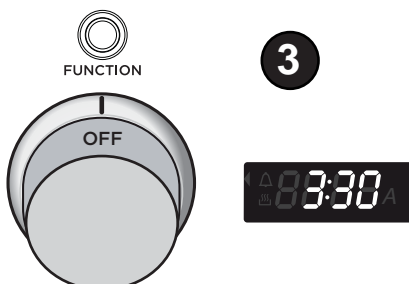
- "Hot" (chaud) apparaît sur l'écran d'affichage du programmeur.
- Lorsque la température de la cavité du four descend sous 570°F (300°C):
 - le voyant de verrouillage de la porte s'éteint;
 - la porte se déverrouille et peut être ouverte;
 - la température pré-réglée de la fonction choisie clignote sur l'écran d'affichage du programmeur.
- Pour revenir aux conditions normales, tournez le bouton de sélection de fonction à **OFF** (four ARRÊTÉ).

Si la température de la cavité du four est inférieure à 570°F (300°C):

- La température pré-réglée de la fonction choisie clignote sur l'écran d'affichage du programmeur.
- Après un temps technique :
 - le voyant de verrouillage de la porte s'éteint;
 - la porte se déverrouille et peut être ouverte.
- Pour revenir aux conditions normales, tournez le bouton de sélection de fonction à **OFF** (four ARRÊTÉ).

L'heure apparaît sur l'écran d'affichage du programmeur.

IMPORTANT : Attendez que le four refroidisse complètement avant d'utiliser une fonction de cuisson.



QUE FAIRE LORSQUE L'AUTONETTOYAGE EST TERMINÉ

1. "P0:00" et "A" apparaissent sur l'écran d'affichage du programmeur ("P" et "A" clignotent)

Attendez que le four refroidisse et que la porte se déverrouille.

Le cycle d'autonettoyage est terminé. La porte reste verrouillée jusqu'à ce que la température de la cavité du four soit inférieure à 570°F (300°C).

2. Le voyant de verrouillage de la porte s'éteint (lorsque la température est inférieure à 570°F - 300°C). La porte se déverrouille et peut être ouverte.
3. Tournez le bouton de sélection de fonction à **OFF** (four ARRÊTÉ). L'heure apparaît sur l'écran d'affichage du programmeur.
4. Attendez que le four ait refroidi complètement.
5. Enlevez la saleté accumulée.
Ouvrez la porte du four et retirez les résidus de saleté accumulés à l'intérieur du four avec un linge humide.

IMPORTANT: Avant de remettre le four en marche, attendez que l'appareil ait refroidi complètement.

SITUATIONS ANORMALES ET/OU PROBLÈMES DE FONCTIONNEMENT - lors de la cuisson ou de l'autonettoyage

1. "F000" ou "F001" s'affiche lors de la cuisson ou de l'autonettoyage

Le capteur de température du four est abîmé ou ne fonctionne pas convenablement. Le ventilateur de refroidissement reste en marche et si l'autonettoyage est en cours, la porte reste verrouillée.

Que faire:

- Tournez le bouton de sélection de fonction du four à **OFF** (four arrêté).
- Attendez que le four ait refroidi complètement et déconnectez la cuisinière de l'alimentation électrique principale.
- Réconnectez la cuisinière à l'alimentation électrique principale.

Si après cette procédure "F000" ou "F001" apparaît encore sur l'écran d'affichage:

- Déconnectez la cuisinière de l'alimentation électrique principale.
- Appelez le centre de réparation. Vous ne devez plus utiliser la cuisinière.

2. "F0E0" et "A" apparaissent sur l'écran d'affichage du programmeur

Cela indique une erreur de mesure de la température par le capteur lors du cycle d'autonettoyage. Cette erreur peut être causée par l'arrêt et le redémarrage du cycle d'autonettoyage alors que celui-ci était presque terminé.

Que faire :

- Tournez le bouton de sélection de fonction du four à **OFF** (four ARRÊTÉ).
- Attendez au moins 30 minutes avant de répéter les opérations de démarrage du cycle d'autonettoyage.
- Si le message s'affiche toujours après plusieurs tentatives, appelez le Centre de réparation.

3. "FPot", "Fdor", "FAdc" ou "FrEL" s'affiche lors de la cuisson ou de l'autonettoyage

Message d'erreur ou de mauvais fonctionnement..

Que faire:

- Tournez le bouton de sélection de fonction du four à **OFF** (four arrêté).
- Attendez que le four ait refroidi complètement et déconnectez la cuisinière de l'alimentation électrique principale.
- Réconnectez la cuisinière à l'alimentation électrique principale.

Si après cette procédure "FPot", "Fdor", "FAdc" ou "FrEL" apparaît encore sur l'écran d'affichage:

- Déconnectez la cuisinière de l'alimentation électrique principale.
- Appelez le centre de réparation. Vous ne devez plus utiliser la cuisinière.

4. Rien ne s'affiche sur l'écran

Le four ne fonctionne pas correctement.

Que faire :

- Tournez le bouton de sélection de fonction à **OFF** (four ARRÊTÉ).
- Attendez que le four ait refroidi complètement et que la porte s'ouvre.
- Éteignez la cuisinière pendant quelques secondes.

Si, après cette procédure, rien n'apparaît encore sur l'écran d'affichage :

- Déconnectez la cuisinière de l'alimentation électrique principale.
- Appelez le centre de réparation. Vous ne devez plus utiliser la cuisinière.






AVERTISSEMENT !!

Il est recommandé d'utiliser des gants de cuisine pour manipuler les accessoires du four.

CONSEILS DE CUISINE

STÉRILISATION

La stérilisation des aliments à conserver dans des pots remplis et hermétiquement fermés se fait comme suit :

- Tournez le bouton à la position  (cuisson par convection ventilée).
- Réglez le thermostat à la position 350°F (175°C) et préchauffez le four.
- Remplissez la lèchefrite d'eau chaude.
- Placez les pots dans la lèchefrite en vous assurant qu'ils ne se touchent pas ni ne touchent la porte. Réglez le thermostat à 260°F (130°C).


Lorsque la stérilisation commence, c'est-à-dire lorsque des bulles se forment dans les pots, éteignez le four et laissez refroidir.

RÔTISSAGE

Pour obtenir un rôtissage classique, vous devez vous rappeler que :

- la température pré-réglée doit être maintenue;
- le temps de cuisson dépend de la quantité et du type d'aliments.


CUISSON SIMULTANÉE DE PLATS VARIÉS

La position  (cuisson par convection ventilée) du bouton de sélection du four MULTIFONCTION permette de cuire différents aliments en même temps. Du poisson, des gâteaux et de la viande peuvent être cuits ensemble sans que les odeurs ni les saveurs ne se mélangent.

Les seules précautions à suivre sont les suivantes :

- Les températures de cuisson des différents aliments doivent être aussi rapprochées que possible et différer au maximum de 70 à 80°F (20 à 25°C).
- Les plats doivent être placés dans le four à des moments différents en fonction du temps de cuisson requis pour chacun d'eux. Ce type de cuisson permet évidemment une économie considérable de temps et d'énergie.

CUISSON AU GRIL VENTILÉE

La cuisson au gril peut être effectuée en sélectionnant  (cuisson au gril ventilée) avec le bouton de sélection de fonction. L'air chaud enveloppe complètement les aliments à cuire.

Réglez la température si une température différente de celle pré-réglée est requise. Introduisez les aliments à cuire en plaçant la lèchefrite le plus près possible de l'élément infrarouge.

Fermez la porte et laissez fonctionner le four jusqu'à ce que la cuisson au gril soit terminée.

Fermez toujours la porte du four lorsque vous utilisez la cuisson au gril.

Important : Portez toujours des gants de cuisine lorsque vous déposez ou retirez la lèchefrite du four (reportez-vous à la page suivante).

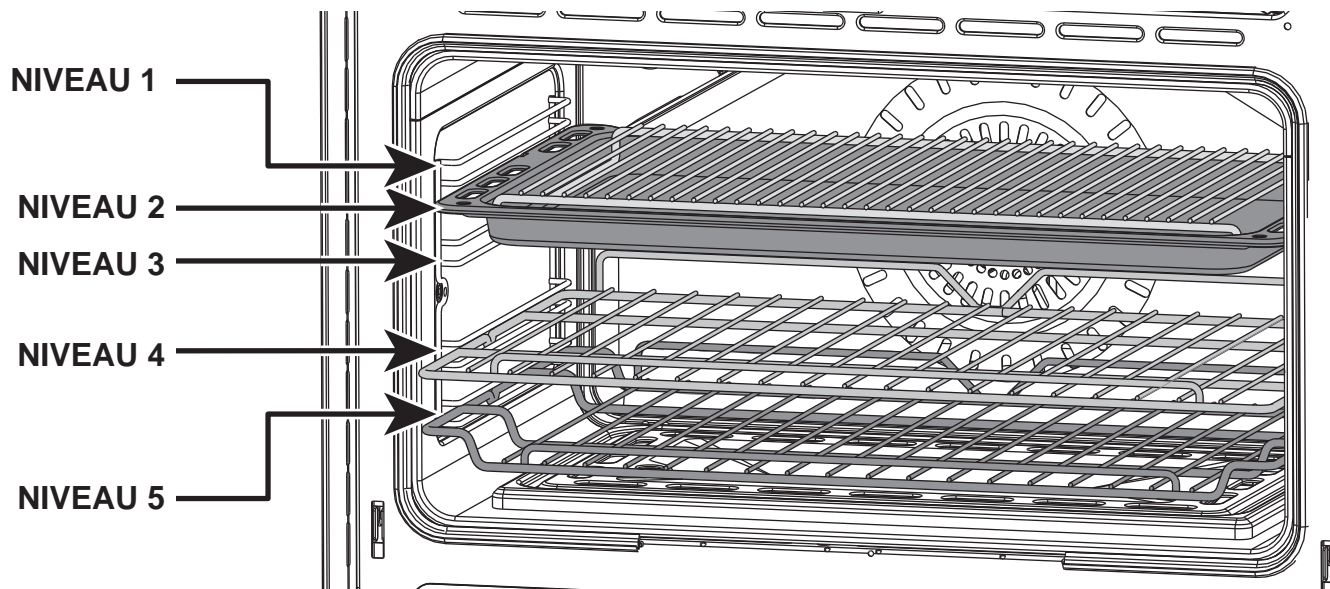


Fig. 4.3

CUISSON AU GRIL

Très important: Vous devez toujours fermer la porte du four lorsque vous utilisez l'élément du gril.

- Positionnez la lèchefrite sur le premier ou le deuxième support à partir du haut (fig. 4.3).
- Allumez l'élément du gril, tel qu'expliqué dans les paragraphes précédents, et laissez-le préchauffer pendant environ 5 minutes en gardant la porte fermée.
- Placez les aliments à cuire sur la lèchefrite.
- Introduisez la lèchefrite (fig. 4.4) dans le four. La lèchefrite devrait être centrée avec l'élément du gril (fig. 4.3).

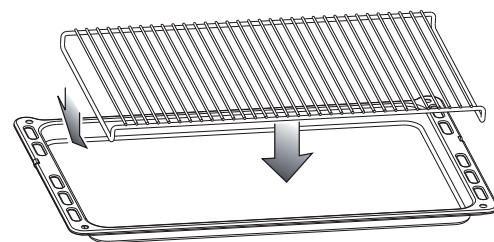


Fig. 4.4

N'utilisez jamais la cuisson au gril sans utiliser de lèchefrite.

Important: Utilisez toujours des gants de cuisine lorsque vous déposez ou retirez du four la lèchefrite, les grilles, les casseroles ou tout autre ustensile de cuisson.

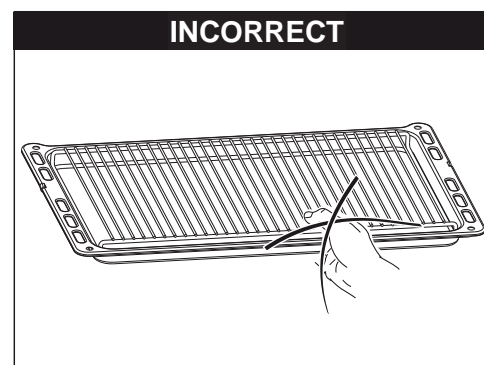


Fig. 4.5

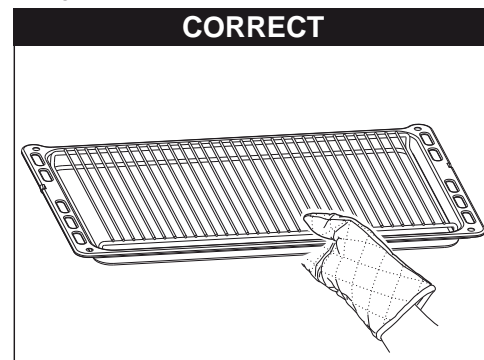


Fig. 4.6

- Le programmateur électronique est un dispositif qui regroupe les fonctions suivantes:
- Horloge sur 12 heures avec affichage lumineux.
 - Minuterie (jusqu'à 3 heures).
 - Programme pour cuisson au four semi-automatique.
 - Programme pour cuisson au four automatique.
 - Gestion des fonctions de cuisson. Le programmateur peut gérer le réglage de la température lors des différentes fonctions de cuisson.
 - Gestion de la fonction d'autonettoyage.

Description des boutons:

		Minuterie (1)
		Temps de cuisson ou d'autonettoyage (2)
	START	Fin de la période de cuisson ou autorisation du démarrage des fonctions de cuisson ou de l'autonettoyage (3)
F°	°C	Réglage de la température du four (4)
	▼	Compte à rebours des chiffres de toutes les fonctions ou de la température à régler (5)
	▲	Progression des chiffres de toutes les fonctions ou de la température à régler (6)

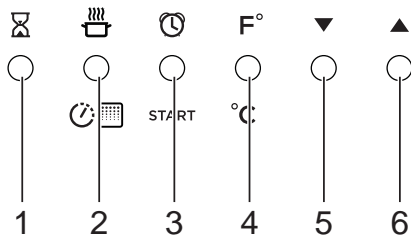
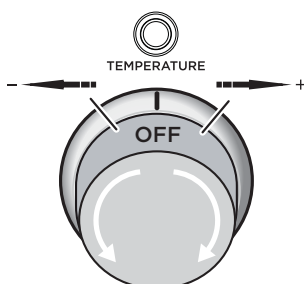
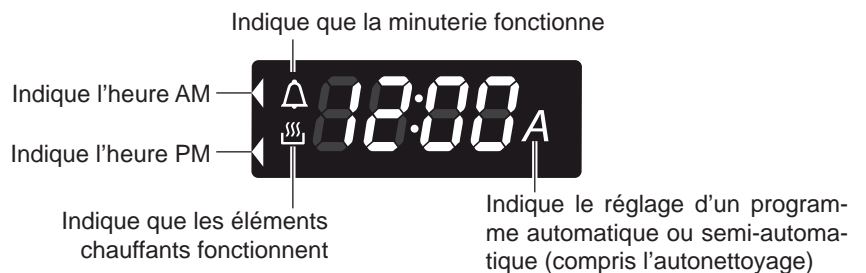


Fig. 5.1

Description des symboles lumineux:



PREMIÈRE UTILISATION OU UTILISATION APRÈS UNE PANNE D'ÉLECTRICITÉ

Après avoir connecté l'appareil à l'alimentation principale ou après une panne d'électricité, le programmateur doit être activé pour fonctionner.

"12:00" clignote sur l'écran d'affichage.

1. Appuyez simultanément sur les boutons et . Le programmateur se met en marche.

RÉGLAGE DE L'HEURE

Le programmateur comprend une horloge (12 heures) munie de chiffres lumineux qui indiquent les heures et les minutes.

Remarque: Il n'est pas possible de régler l'heure pendant une cuisson manuelle ou automatique/semi-automatique.

1. Appuyez simultanément sur les boutons et ; les heures et les minutes clignotera sur l'écran d'affichage.
2. Appuyez sur les boutons ▼ ou ▲ jusqu'à ce que l'heure exacte soit réglée (ou tournez le bouton de réglage de la température vers la droite pour augmenter ou vers la gauche pour réduire). Si vous maintenez les boutons ▼ ou ▲ enfoncés pendant quelques secondes, les chiffres dérouleront plus rapidement.





SIGNAL SONORE

Le signal sonore intermittent se fait entendre lorsque la minuterie s'arrête ou lorsque la cuisson semi-automatique ou automatique est terminée.

Pour arrêter le signal sonore, appuyez sur n'importe quel bouton du programmateur.

MINUTERIE

La fonction de minuterie n'est utilisée que pour compter le temps et n'affecte pas le fonctionnement du four ni tout autre programme réglé ou en cours.






1. Appuyez sur le bouton  - "0:00" apparaît sur l'écran d'affichage du programmeur.
2. Appuyez sur les boutons  et  pour régler le temps voulu (ou tournez le bouton de réglage de la température vers la droite pour augmenter le temps ou vers la gauche pour le réduire). Le symbole de cloche apparaît sur l'écran d'affichage du programmeur.
3. Le décompte se met en marche immédiatement et l'heure réapparaît.
4. Pour voir s'afficher le décompte, appuyez sur le bouton . Le temps sera indiqué en heures et en minutes; les secondes ne sont indiquées qu'au cours de la dernière minute.
5. À la fin du décompte, un signal sonore se fait entendre et le symbole de cloche s'éteint sur l'écran d'affichage. Appuyez sur n'importe quel bouton pour arrêter le signal sonore.

AVERTISSEMENT IMPORTANT: Cette fonction n'est qu'une alarme électronique. Elle **N'ARRÊTE PAS** le four. Rappelez-vous de tourner le bouton de sélection de fonction du four à la position **OFF** (four ARRÊTÉ) à la fin du décompte.

CUISSON AUTOMATIQUE - Commence la cuisson à l'heure programmée et arrête le four automatiquement après le temps de cuisson programmé


OU CUISSON SEMI-AUTOMATIQUE - Commence la cuisson immédiatement et arrête le four automatiquement après le temps de cuisson programmé

Réglage

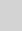
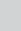
1. Réglez la fonction de cuisson en tournant le bouton de sélection de fonction du four à la fonction désirée.
2. La température de cuisson pré-réglée apparaît sur l'écran d'affichage. Pour la modifier, procédez tel qu'expliqué au chapitre "RÉGLAGE DE LA CUISSON".
3. Appuyez sur le bouton **START** du programmeur pour confirmer la fonction de cuisson.
4. Appuyez sur le bouton : "0:00" apparaît sur l'écran d'affichage. Appuyez sur les boutons  ou  pour régler le temps de cuisson ou tournez le bouton de réglage de la température vers la droite pour augmenter le temps ou vers la gauche pour le réduire (temps de cuisson en heures et minutes: réglez-le à dix minutes de moins que le temps requis; la chaleur emmagasinée complètera la cuisson). "A" apparaît sur l'écran d'affichage.
5. Appuyez sur le bouton **START**; appuyez sur les boutons  et  pour régler le moment où la cuisson devra s'arrêter ou tournez le bouton de réglage de la température vers la droite pour augmenter l'heure de fin de cuisson ou vers la gauche pour la réduire.
6. La température pré-réglée apparaît sur l'écran d'affichage du programmeur.

Cuisson semi-automatique: Si vous êtes déjà chez vous pour allumer le four et vous voulez juste qu'il s'arrête automatiquement, démarrez la cuisson de manière normale, puis suivez l'étape 4 ou l'étape 5 pour régler le temps de cuisson ou une heure d'arrêt du four.

Démarrage de la cuisson

7. Le symbole de cuisson  s'allume. Le four se met en marche et le cycle de cuisson réglé démarre.

Au cours de la cuisson

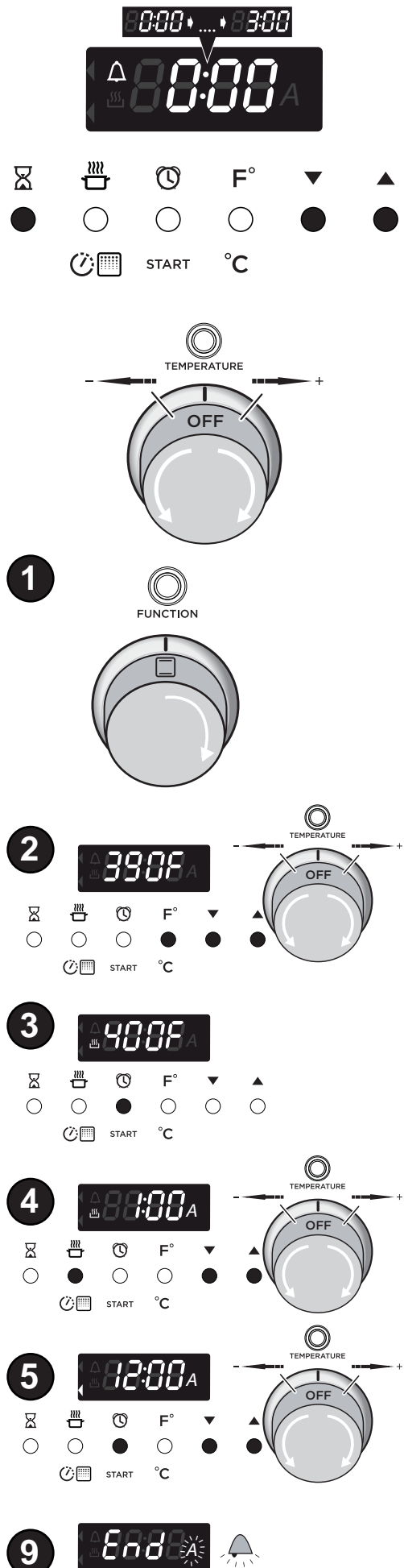
8. Au cours du cycle de cuisson, l'écran affiche la température du four mesurée par la sonde ou la température pré-réglée. Appuyez sur le bouton  pour afficher la durée de cuisson réglée. Appuyez sur le bouton  pour afficher l'heure d'arrêt du four réglée. Le temps et la température de cuisson ainsi que la fin de la période de cuisson peuvent varier à tout moment, comme mentionné plus haut.

À la fin de la cuisson

9. "End" apparaît sur l'écran d'affichage, "A" clignote et le signal sonore se fait entendre. Le cycle de cuisson est terminé et le four est ARRÊTÉ. Appuyez sur n'importe quel bouton pour arrêter le signal sonore.
10. Tournez le bouton de sélection de fonction à **OFF** (four ARRÊTÉ). L'écran du programmeur affiche l'heure.




Remarque : À la fin du programme, tournez toujours le bouton de sélection de fonction à **OFF** (four ARRÊTÉ).

IMPORTANT : Au cours du PROGRAMME DE CUISSON AUTOMATIQUE la lampe du four est toujours allumée, tout comme avant le démarrage (éléments chauffants allumés ou fonctionnant par intermittence) de la cuisson programmée.



ANNULATION D'UN PROGRAMME

Pour annuler un programme appuyez simultanément sur les boutons ▼ et ▲ pour plus de 3 secondes ou tournez simplement le bouton de sélection de fonction à **OFF** (four ARRÊTÉ).

Remarque: Si au cours d'un programme le bouton de sélection de fonction est tourné à  (autonettoyage),  (éclairage du four),  (décongélation des aliments) ou à une autre fonction de cuisson, le programme est annulé.

EXEMPLES DE PROGRAMMATION DE LA CUISSON AUTOMATIQUE

2

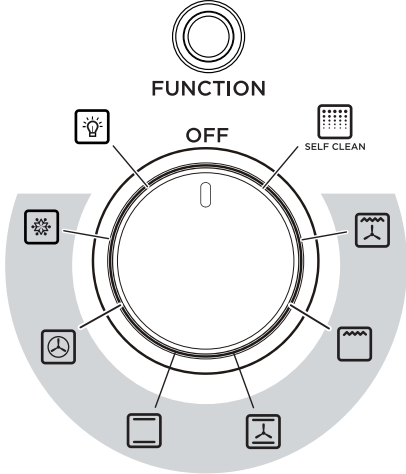
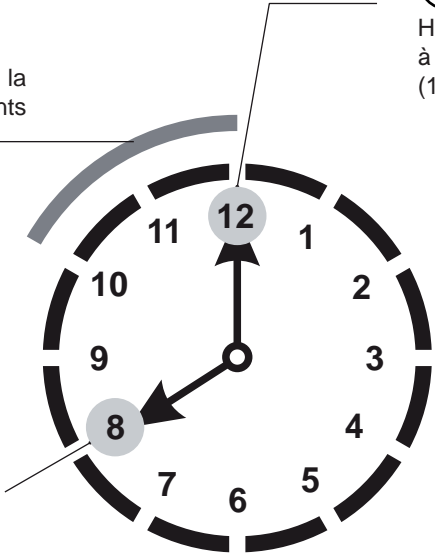
Temps requis pour la cuisson des aliments (2 heures)

3

Heure à laquelle les aliments à cuire doivent être prêts (12:00 PM)

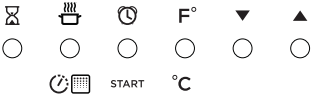
1

Heure à laquelle la cuisson des aliments est programmée (08:00 AM)

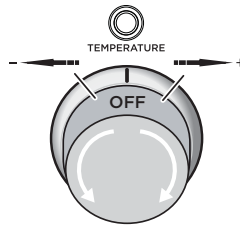


Fonctions programmables

1



2



3

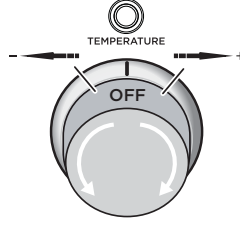


Fig. 5.2

AVERTISSEMENT TRÈS IMPORTANT

Avant toute opération d'entretien, déconnectez l'appareil de l'alimentation électrique.

N'utilisez pas de nettoyeurs à jet de vapeur. L'humidité pourrait s'infiltrer à l'intérieur de l'appareil et le rendre dangereux.

N'utilisez jamais de produits de nettoyage agressifs ou abrasifs ou de grattoirs en métal tranchant pour nettoyer la vitre de la porte du four: ceci risquerait en effet de rayer la surface, ce qui pourrait faire éclater le verre.

RECOMMANDATION GÉNÉRALE

- Important : Avant toute opération de nettoyage et d'entretien, déconnectez l'appareil de l'alimentation électrique.
- Il est recommandé de nettoyer l'appareil lorsqu'il est froid, en particulier pour le nettoyage des pièces émaillées.
- Évitez de laisser des substances alcalines ou acides (jus de citron, vinaigre, etc.) sur les surfaces.
- Évitez d'utiliser des produits nettoyants à base de chlore ou d'acide.
- **IMPORTANT: L'utilisation de vêtements et de gants de protection est recommandée lors du nettoyage et d'entretien de cet appareil.**
- **AVERTISSEMENT**
Lorsqu'il est correctement installé, votre appareil répond à toutes les exigences de sécurité prescrites pour ce type de produit. Toutefois, vous devez porter une attention particulière à l'arrière et au dessous de l'appareil, car ces endroits ne sont pas conçus pour être touchés et certaines parties peuvent s'avérer tranchantes ou rugueuses et peuvent causer des blessures.

PIÈCES ÉMAILLÉES

- Toutes les pièces émaillées doivent être nettoyées avec une éponge imbibée d'eau savonneuse seulement ou avec d'autres produits non abrasifs. Séchez de préférence avec un tissu souple.

PIÈCES PEINTES ET SURFACES IMPRIMÉES PAR SÉRIGRAPHIE

- Nettoyez en utilisant un produit approprié. Séchez bien.

IMPORTANT: Ces pièces doivent être nettoyées très soigneusement afin d'éviter les égratignures et l'abrasion. Il est recommandé d'utiliser un linge doux et un savon neutre.

ÉLÉMENTS EN ACIER INOXYDABLE

- Les pièces en acier inoxydable doivent être rincées avec de l'eau et séchées avec un linge propre et doux ou avec tissu souple.
- Pour la saleté difficile à déloger, utilisez un produit non abrasif spécifique disponible dans le commerce ou un peu de vinaigre chaud.
- **Remarque: Une utilisation régulière pourrait entraîner une décoloration autour des brûleurs en raison de la température élevée.**

INTÉRIEUR DU FOUR

Le four doit être nettoyé chaque fois après utilisation, lorsqu'il est tiède. La cavité doit être nettoyée avec une solution de détergent doux et de l'eau tiède. Des produits chimiques nettoyants peuvent être utilisés après avoir consulté les recommandations du fabricant et après avoir testé un petit échantillon de la cavité du four. Des agents de nettoyage abrasifs ne doivent pas être utilisés sur la surface de la cavité.

REMARQUE: Le fabricant de cet appareil n'acceptera aucune responsabilité pour les dommages causés par l'utilisation des produits chimiques ou abrasifs.

Laisser le four refroidir et faire de l'attention à ne pas toucher les éléments chauffants à l'intérieur du four.

BRÛLEURS ET GRILLES

- Ces pièces peuvent être retirées et nettoyées avec des produits appropriés.
- Après le nettoyage, les brûleurs et leur veilleuse doivent être bien séchés et replacés correctement.
- Il est très important de vérifier que la veilleuse du brûleur et le chapeau ont été remis en place correctement. Si vous ne respectez pas ces consignes, des problèmes graves pourraient survenir.
- Assurez-vous que la sonde "T" (fig. 6.1, 6.3) placée à côté de chaque brûleur est toujours propre pour assurer le bon fonctionnement des soupapes de sécurité.
- Assurez-vous que l'électrode "S" (figs. 6.1, 6.3) de l'allumage électrique placée à côté de chaque brûleur est toujours propre pour faciliter la production d'étincelles.
- Remarque : Pour éviter d'endommager le système d'allumage électrique, n'utilisez pas cette fonction lorsque les brûleurs ne sont pas en place.
- **La sonde et l'électrode d'allumage doivent toujours être nettoyées soigneusement.**

POSITION CORRECTE DES BRÛLEURS SEMI-RAPIDES

Il est très important de vérifier que le diffuseur de flammes "B" et le chapeau "A" ont été correctement positionnés (fig. 6.1 et 6.2). Si vous ne respectez pas cette consigne, des problèmes graves pourraient survenir.

POSITION CORRECTE DES BRÛLEURS DOUBLES

Le brûleur double doit être positionné correctement (fig. 6.3); le diffuseur de flammes "E" doit être positionné comme indiqué par les flèches (fig. 6.4). Placez ensuite le chapeau "C" et la couronne "D" (fig. 6.3 et 6.6). Une brûleur correctement installé ne doit pas tourner (fig. 6.5).

IMPORTANT: Ne JAMAIS dévisser les vis qui fixent le répartiteur de flammes intérieur (fig. 6.7). Le répartiteur de flammes intérieur peut être enlevé SEULEMENT par du personnel autorisé.

Si cette condition n'est pas respectée l'appareil pourrait s'endommager causant des risques graves pour l'utilisateur. Le constructeur décline toute responsabilité pour les dommages résultant du non-respect de cette condition.

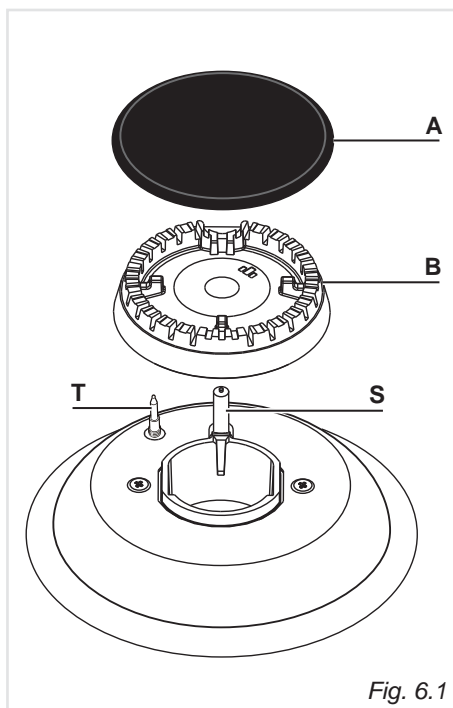


Fig. 6.1

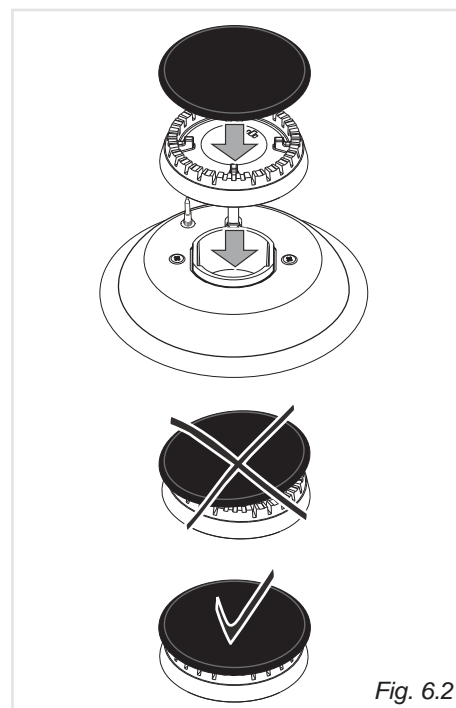


Fig. 6.2

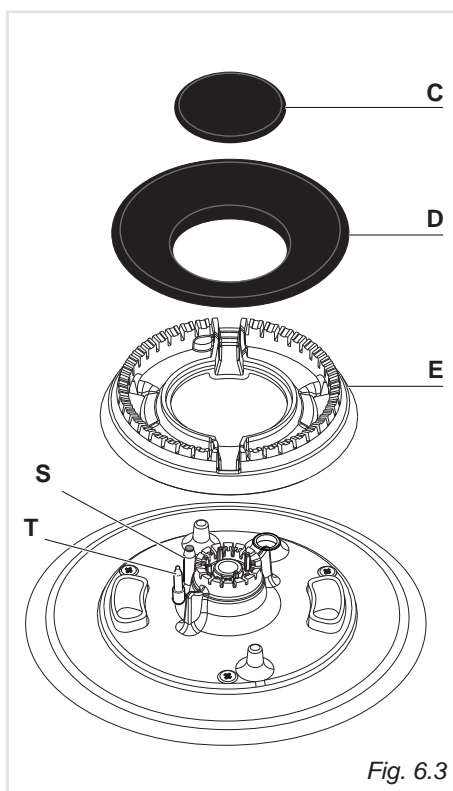


Fig. 6.3

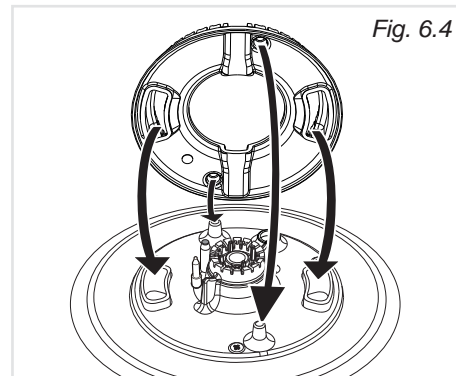
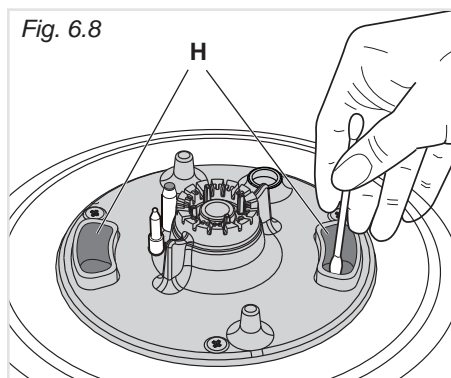
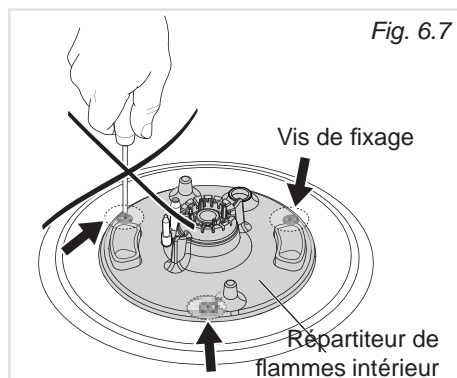
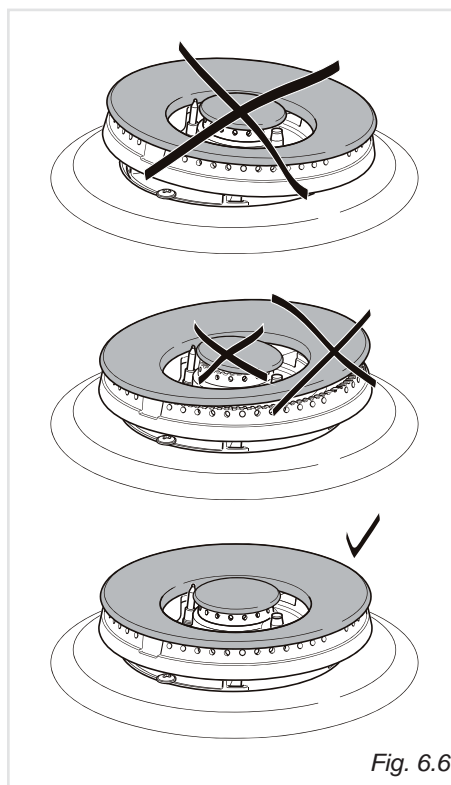
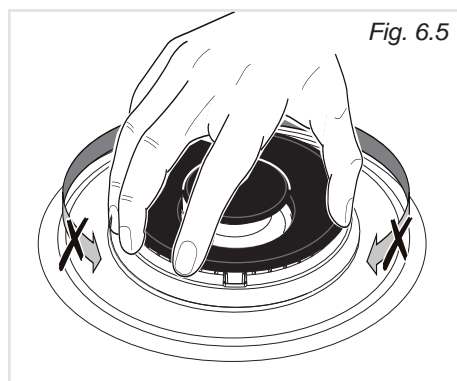


Fig. 6.4

NETTOYAGE DU BRULEUR DOUBLE

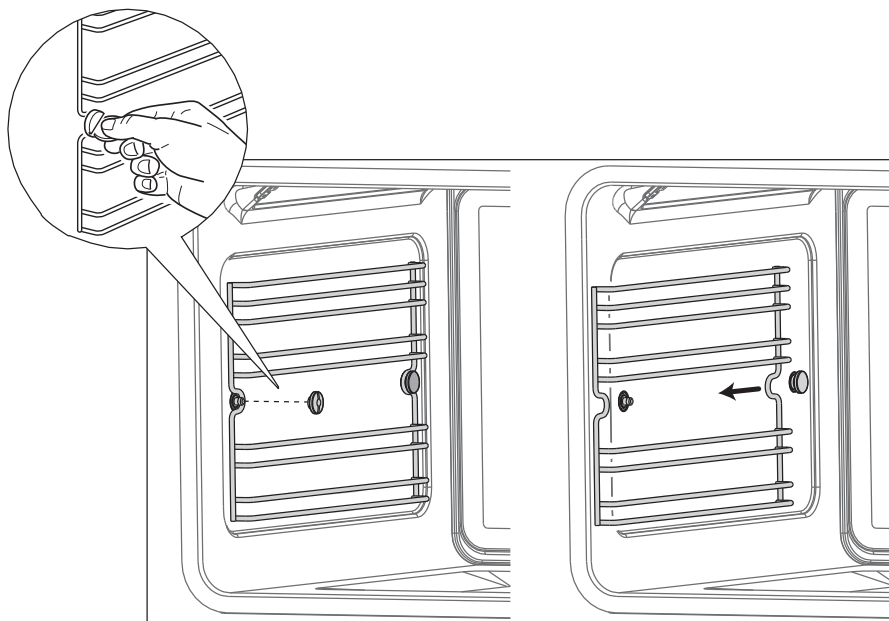
Il faut porter une attention particulière à ce brûleur; les 2 fentes "H" du répartiteur de flammes intérieur (fig. 6.8) doivent toujours être propres. Pour ce faire, enlever le répartiteur de flammes extérieur "E" (fig. 6.3) et avec un instrument approprié (coton tige, petite brosse ou autre) libérer les 2 fentes "H" (fig. 6.8) d'éventuelles incrustations ou saletés qui s'y sont accumulées. Cette opération sert à assurer le fonctionnement correct et sûr de ce brûleur.

Si le brûleur ne fonctionne pas correctement et s'il n'est pas possible de libérer les 2 fentes d'éventuelles incrustations ou saletés, il faut contacter le service Après-Vente.



MONTAGE DES SUPPORTS LATÉRAUX

1. Faites glisser les grilles latérales doucement pour qu'elles s'engagent avec le goujon de verrouillage arrière. Assurez-vous qu'elles sont dans le bon sens, comme dans les illustrations, puis insérez et serrez la vis de fixation avant.
2. S'il n'est pas déjà installé, monter les étagères supports coulissants télescopiques. Voir "MONTAGE ET DÉMONTAGE DES ÉTAGÈRES SUPPORTS COULISSANTS TÉLESCOPIQUES"
DÉMONTAGE DES SUPPORTS LATÉRAUX
3. À l'aide d'une petite pièce de monnaie ou un tournevis à tête plate, desserrer et retirer la vis de fixation avant seulement.
4. Faites glisser les grille latérales claire de l'ergot de verrouillage arrière et les retirer.



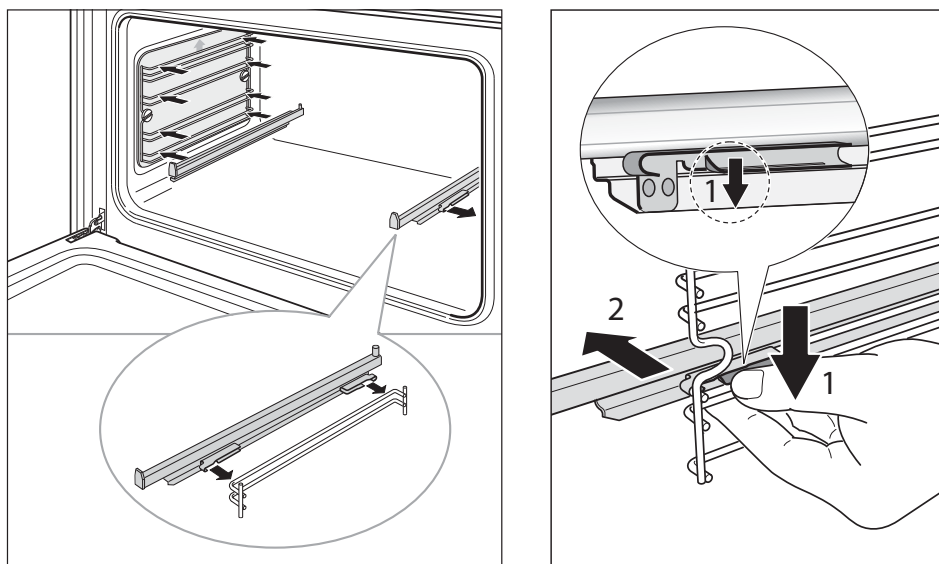
MONTAGE ET DÉMONTAGE DES ÉTAGÈRES SUPPORTS COULISSANTS TÉLESCOPIQUES.

Lors du montage de la étagère coulissante supporte, assurez-vous que vous vous situez:

- Les rails latéraux glisse sur le dessus d'une position de la grilles laterales
- Les deux côtés de chaque paire de glissières les deux faces d'un même niveau.

Important!

Retirez les grilles latérales premier à faire retirer la étagère coulissante supporte plus facile.



INSTALLATION ET RETAIT DE LA GRILLE DU FOUR

La grille du four est munie d'un système de blocage (dispositif de sécurité) qui permet d'éviter qu'elle ne sorte accidentellement du four.

- Faire glisser sur les guides la grille (fig. 6.9); mettre la grille de façon que le barrage de protection (le plus grand) soit tourné vers l'intérieur du four.
- Assurez-vous d'insérer la grille correctement.
- Pour le démontage opérer inversement.

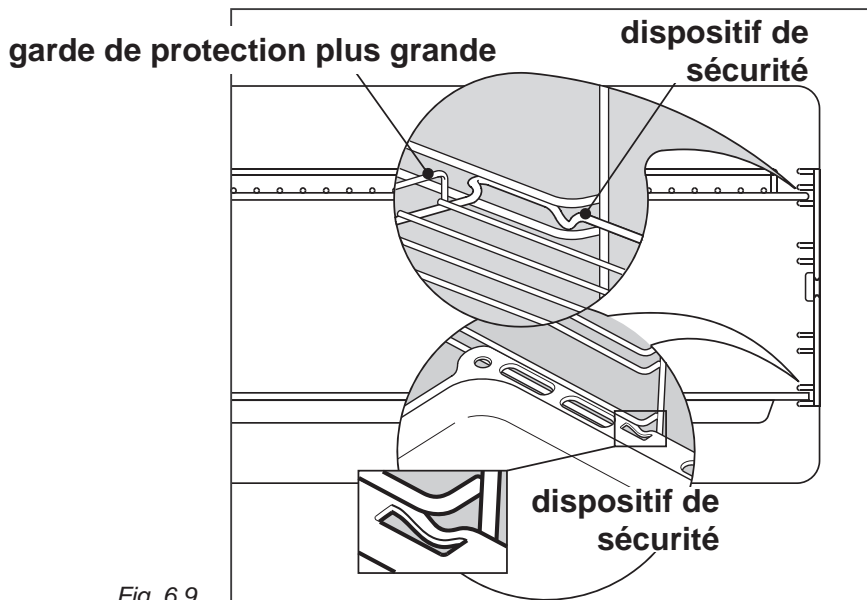


Fig. 6.9

REPLACEMENT DE LA LAMPE DU FOUR (fig. 6.10)

Avant d'entreprendre toute opération d'entretien impliquant des pièces électriques, vous devez déconnecter l'appareil de l'alimentation électrique.

- Laisser refroidir la cavité du four et les éléments chauffants.
- Coupez l'alimentation électrique.
- Retirez le couvercle de protection "A" (fig. 6.10).
- Dévisser la lampe "B" et la substituer par une autre résistante à la température de 300 degrés °C, tension 120 V, 60 Hz, E14 et la même puissance (contrôlez la puissance en watt imprimé dans l'ampoule elle-même) de l'ampoule substituée.
- Remplacez le couvercle de protection.

REMARQUE: Le remplacement de la lampe du four n'est pas couvert par votre garantie.

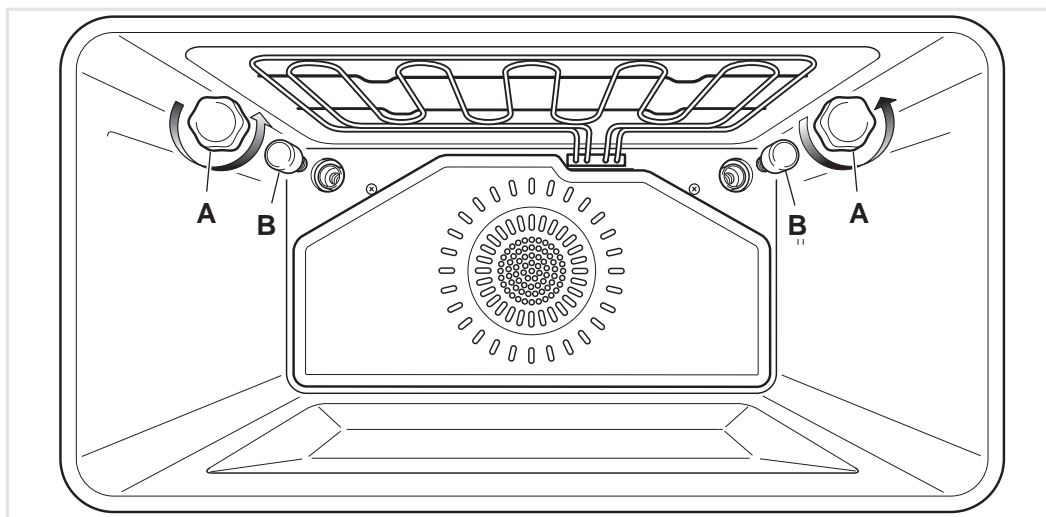


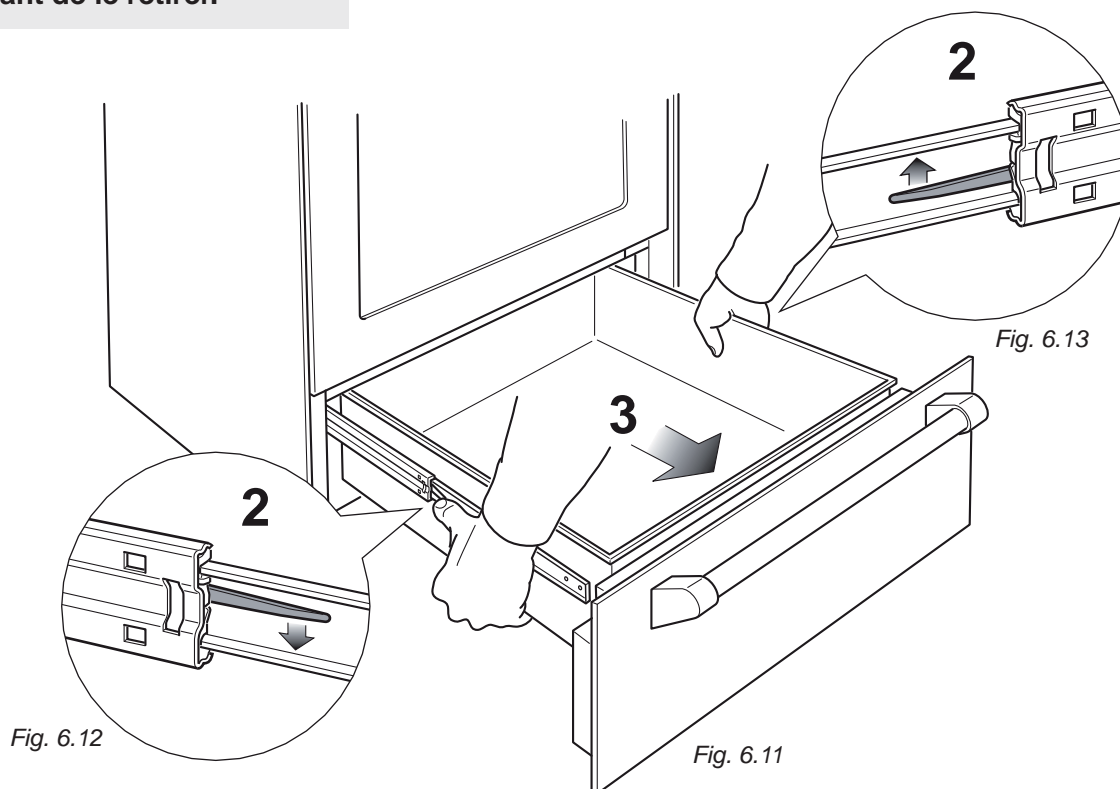
Fig. 6.10

AVERTISSEMENT :

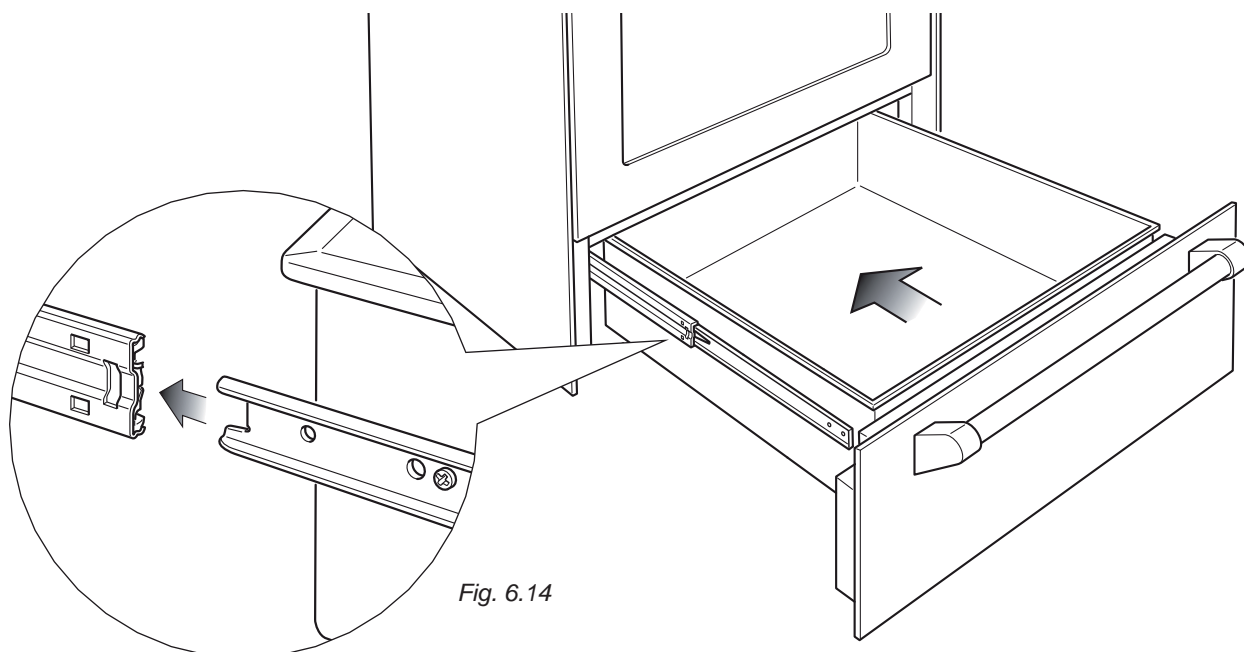
- Ne retirez pas le tiroir lorsqu'il est chaud.
- Ne retirez pas le tiroir lorsqu'il est en marche.
- Assurez-vous que le tiroir est vide avant de le retirer.

RETRAIT DU TIROIR DE MAINTIEN AU CHAUD

1. Ouvrez le tiroir complètement (fig. 6.11).
2. Abaissez le levier de la glissière gauche (fig. 6.12) et levez le levier de la glissière droite (fig. 6.13).
3. Retirez le tiroir; les leviers ne doivent pas bouger (fig. 6.11).

**INSTALLATION DU TIROIR DE MAINTIEN AU CHAUD**

1. Insérez les glissières du tiroir dans les glissières de la cuisinière (fig. 6.14).
2. Refermez le tiroir complètement avec précaution; les dispositifs de sécurité s'accrocheront automatiquement.



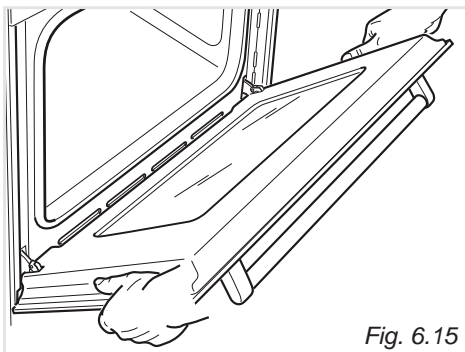


Fig. 6.15

DÉPOSE DE LA PORTE DU FOUR

Vous pouvez facilement enlever la porte du four en procédant comme suit :

- Ouvrez complètement la porte du four (fig. 6.15a).
- Ouvrez complètement le levier "A" sur les charnières gauche et droite (fig. 6.15b).
- Tenez la porte tel qu'indiqué à la fig. 6.15.
- Refermez doucement la porte (fig. 6.15c) jusqu'à ce que le levier "A" des charnières soit accroché à la partie "B" de la porte (fig. 6.15b).
- Retirez les crochets des charnières de leur emplacement en suivant la flèche "C" (fig. 6.15d).
- Déposez la porte sur une surface douce.

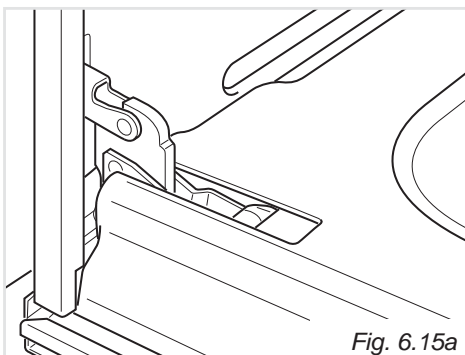


Fig. 6.15a

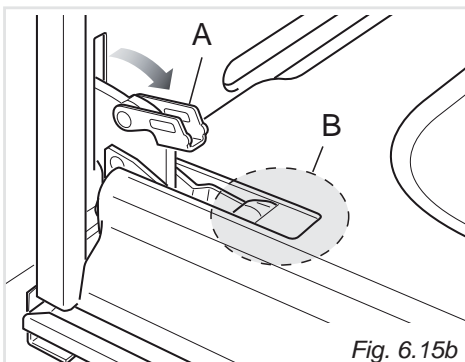


Fig. 6.15b

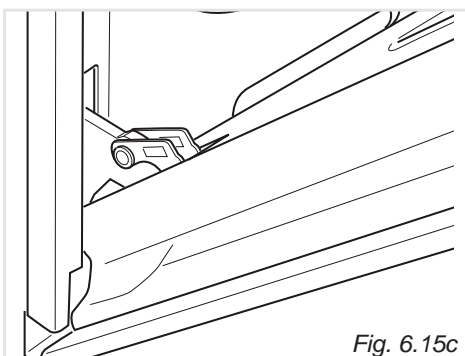


Fig. 6.15c

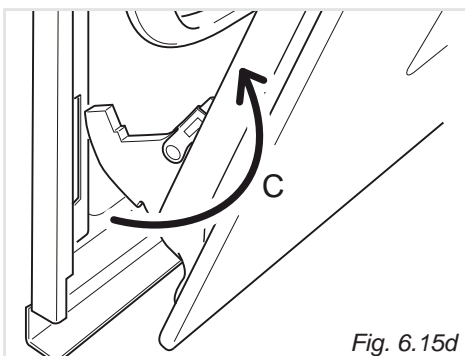


Fig. 6.15d

RÉPOSE DE LA PORTE DU FOUR

- Saisir solidement la porte (fig. 6.15).
- Insérer le crochet des charnières (droite et gauche) dans son emplacement; s'assurer que la rainure soit dans sa logement (fig. 6.16a).
- Ouvrir complètement la porte du four.
- Fermer le levier "A" sur les charnières gauche et droite (fig. 6.16b).
- Fermer la porte du four et en vérifier la fermeture parfaite.

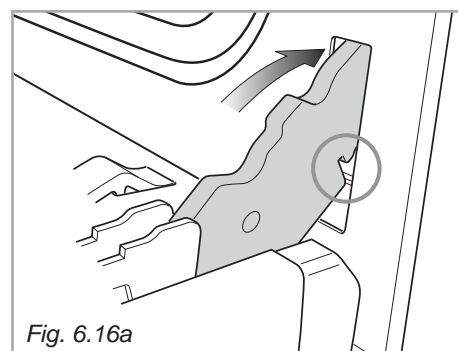


Fig. 6.16a

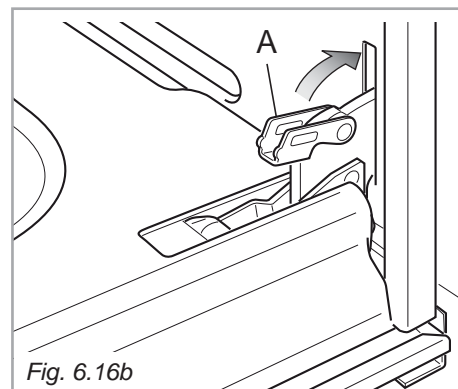


Fig. 6.16b

À FAIRE ET À NE PAS FAIRE

- Fermez toujours la porte du four lorsque vous utilisez le four.
- Lisez attentivement le mode d'emploi avant d'utiliser la cuisinière pour la première fois.
- Laissez chauffer le four deux heures avant de l'utiliser pour la première fois. Vous évacuez ainsi toute odeur provenant de l'isolant du four avant d'introduire des aliments.
- Nettoyez le four régulièrement.
- Essuyez immédiatement toute éclaboussure.
- Utilisez toujours des gants de cuisine lorsque vous retirez des aliments, des grilles et des plateaux du four et du tiroir de maintien au chaud.
- Tenez les enfants à l'écart de la cuisinière lorsque celle-ci fonctionne.
- Ne laissez pas de graisse ou d'huile s'accumuler sur la base de la cavité ou sur les accessoires du four.
- Ne placez pas d'ustensiles de cuisson ou d'assiettes directement sur la base de la cavité du four.
- Ne placez pas de pièces émaillées chaudes dans l'eau. Laissez-les d'abord refroidir.
- Ne laissez pas de vinaigre, café, lait, eau salée, jus de citron ou de tomate en contact avec les pièces émaillées (c'est-à-dire à l'intérieur du four).
- N'utilisez pas de poudres ou de nettoyants abrasifs. Vous égratigneriez l'acier inoxydable et l'émail.
- N'essayez pas de réparer le mécanisme interne de votre cuisinière.
- Retirez la pellicule protectrice avant la première utilisation.
- Risque d'incendie! N'entreposez jamais de matériaux inflammables dans le four, ni dans le tiroir de maintien au chaud.
- Ne placez pas de récipients de nourriture fermés dans le tiroir de maintien au chaud.
- Ne touchez pas la surface intérieure du tiroir de maintien au chaud lorsque celui-ci fonctionne.
- N'utilisez pas de papier d'aluminium pour tapisser le tiroir de maintien au chaud.
- N'utilisez pas de récipients en plastique dans le tiroir de maintien au chaud.
- N'utilisez pas le tiroir de maintien au chaud comme tiroir de rangement.
- N'utilisez pas le four avec la porte du four ouverte.
- N'utilisez pas le tiroir de maintien au chaud pour chauffer des assiettes.
- N'utilisez ni le four ni le tiroir de maintien au chaud pour chauffer une pièce.
- N'utilisez pas la cuisinière lorsque le four est en mode autonettoyage.
- Une fois l'autonettoyage du four terminé, n'entreprenez pas tout de suite un nouveau cycle d'autonettoyage; laissez la cuisinière refroidir.

POUR VOTRE SÉCURITÉ

Les recouvrements externes ne doivent en aucune circonstance être retirés pour entretien ou réparation, excepté par un technicien qualifié.

Avant d'appeler pour demander une réparation ou de l'assistance...

Vérifiez les points que vous pouvez contrôler vous-même. Consultez les instructions d'installation et le guide de l'utilisateur pour vous assurer que :

- 1 Votre produit est installé correctement.
- 2 Vous êtes familier avec son fonctionnement normal.

Si après la vérification de ces points, vous avez toujours besoin d'assistance ou d'une réparation, reportez-vous au livret de service et de garantie pour obtenir les détails sur la garantie et les coordonnées d'un réparateur autorisé ou de l'Assistance à la clientèle, ou contactez-nous par l'entremise de notre site Web, à l'adresse

Pour nous contacter

Un guide sommaire d'entretien est fixé à la face inférieure du produit.

Pour obtenir des pièces de remplacement ou de l'aide au sujet de cet appareil, composez ce numéro :

Sans frais : 1-888-9 FNP USA (1-888-936-7872) ou écrivez à :

**Fisher & Paykel Appliances Inc.
5900 Skylab Road
Huntington Beach, CA 92647
USA**

ou contactez-nous par l'entremise de notre site Web, www.fisherpaykel.com

Le fabricant ne peut être tenu responsable des inexactitudes possibles dues à des erreurs d'impression ou de transcription dans le présent livret.

Le fabricant se réserve le droit d'effectuer sur ses produits toute modification qu'il considère nécessaire, pour la fabrication ou pour des raisons commerciales, à tout moment et sans préavis, sans compromettre les caractéristiques indispensables de fonctionnalité et de sécurité des appareils.

www.fisherpaykel.com

Fisher & Paykel

Copyright © Fisher & Paykel 2013. All rights reserved.

The product specifications in this booklet apply to the specific products and models described at the date of issue. Under our policy of continuous product improvement, these specifications may change at any time. You should therefore check with your Dealer to ensure this booklet correctly describes the product currently available.

Droits réservés © Fisher & Paykel 2013.

Les spécifications du produit contenues dans ce manuel s'appliquent aux modèles et produits spécifiques comme décrits à la date de publication. Dans le cadre de notre politique d'améliorations en permanence de nos produits, ces spécifications pourront être modifiées à tout moment. Nous vous recommandons de vérifier auprès de votre revendeur que ce manuel décrit le produit actuellement disponible.