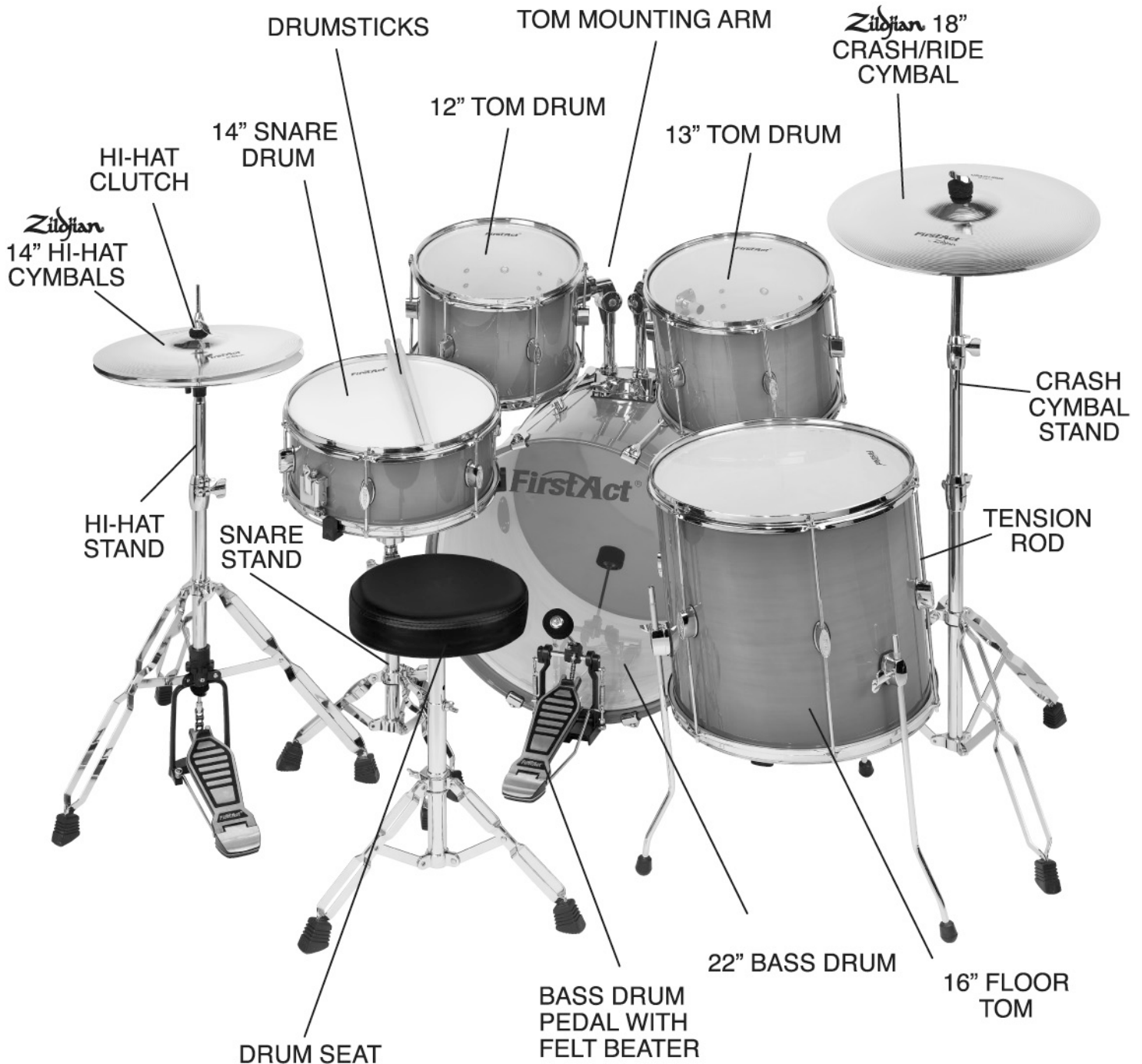


ASSEMBLY INSTRUCTIONS FOR FIRST ACT® MD890 EIGHT PIECE DRUM SET



FirstAct®

© 2004 FIRST ACT INC. ALL RIGHTS RESERVED

MD890

8 PIECE DRUM SET

DRUMS

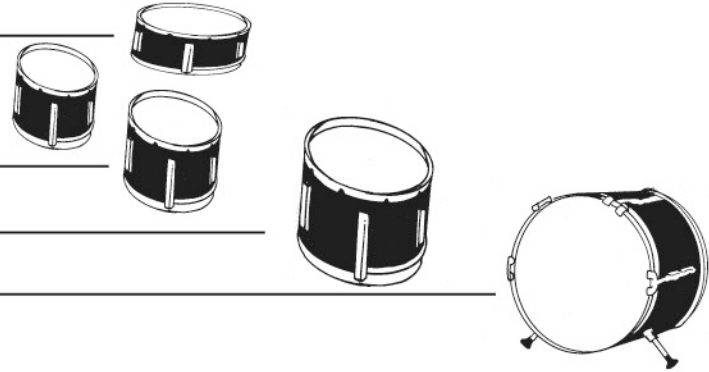
[A] 14" Snare Drum

[B] 12" Tom Drum

[C] 13" Tom Drum

[D] 16" Floor Tom Drum

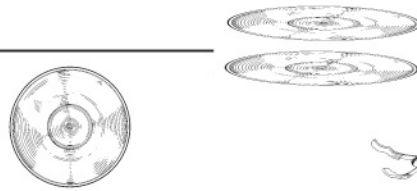
[E] 22" Bass Drum



CYMBALS

[F] *Zildjian* 14" Hi-hat Cymbals (2)

[G] *Zildjian* 18" Crash/Ride Cymbal



STANDS / HARDWARE / DRUM HEADS

[H] Snare Drum Stand

[I] Hi-hat Stand

[J] Cymbal Stand

[K] Bass Drum Pedal

[L] Tom Mounting Arms (2)

[M] Bass Drum Spurs (2) attached to the Bass Drum

[N] Floor Tom Legs (3)

[O] 22cm Bass Drum Tension Rods (16)

[P] Bass Drum Claws w/ Protective Bushing (16)

[Q] 22" Wood Hoop (2)

[R] 12.5cm Drum Tension Rods (12)

[S] 18.5cm Drum Tension Rods (12)

[T] Drum Tuning Key

[U] 22" Ebony Front Side Logo Head

[V] 22" Batter Side Drum Head

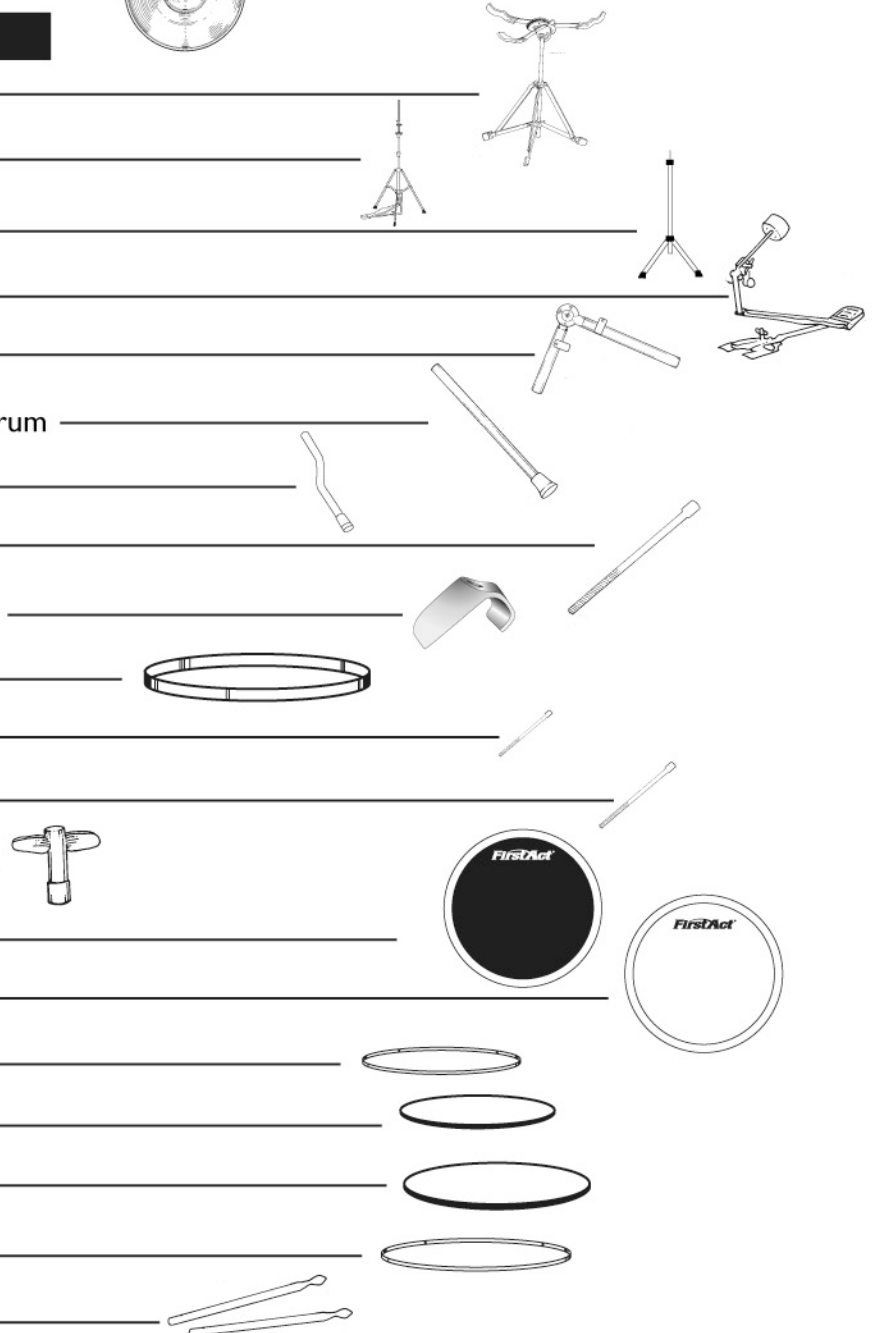
[W] 6 hole 13" Rims (2)

[X] 13" Drum Heads (2)

[Y] 16" Drum Heads (2)

[Z] 6 hole 16" Rims (2)

[AA] 1 pair of 41 cm drumsticks



ASSEMBLY INSTRUCTIONS

FOR FIRST ACT® MD890

EIGHT PIECE DRUM SET

Thank you for purchasing the First Act® MD890 eight piece drum set. By following these simple steps you'll be set up and playing in no time! Be sure to look over the Drum Contents page and identify the parts and hardware that you'll be using to assemble the drum set. Clear an area large enough to unpack the drums from the box and place the components of the set within reach. Make sure to leave a space where you can assemble the drum set. You'll need the drum tuning key to complete set up and tuning. After set up, use the Drum Tuning Diagrams and Instructions below on how to tune your drums.

Assembly Instructions

Lay the 22" bass drum (E) flat on the floor with the side of the bass drum spur mounts and tom mounting brackets closest to the front of drum facing up. Place the 22" ebony front side First Act® bass drum head (U) over the top of the 22" bass drum so it sits evenly on the drum. Be sure and line up the First Act® logo so it is aligned straight across the top of the drum face. Place the 22" wood hoop (Q) on top so it rests on the head. Thread the 8, 22cm bass drum tension rods (O) through the 8 bass drum claws with protective rubber bushing (P) and insert into the 8 lugs and finger tighten. Turn the drum over and repeat same process to install 22" clear batter side head (V). This head is the playing side while the front ebony head is the resonant side. The resonant side head is much thinner and not recommended for playing. The batter side head has a muffle system, so there is no need to "stuff" sound dampening material such as pillows or blankets inside the bass drum. Now adjust the bass drum spurs (M). Spurs should extend out from the bass drum. Just enough to raise the front of the bass drum slightly off the floor when in position. Note the spurs have a retractable rubber tip that when turned expose the spurs spiked tip. Recommended to use this if drums are on a carpet to stop bass drum from creeping. Use rubber tips only on floor surface or scratching of floor surface may occur.

The 12" tom (B) is already assembled in the box. Put this drum aside until you are ready to place the drum on the set.

Place the 13" clear drumhead (X) over the top of the 13" tom (C) so it sits evenly on the drum. Place the 6-hole 13" metal rim (W) on top so it rests on the drumhead. Line up the holes of the rim over the lug mounts and insert 6, 12.5cm tension rods with washers (R) through the rim into the 6 lugs and finger tighten. Turn the drum over and repeat same process to install bottom head. Both heads are the same thickness and weight.

Place the 16" clear drumhead (Y) over the top of the 16" floor tom (D) so it sits evenly on the drum. Place the 6-hole 16" metal rim (Z) on top so it rests on the drumhead. Line up the holes of the rim over the lug mounts and insert 6, 18.5cm tension rods with washers (S) through the rim into the 6 lugs and finger tighten.

Turn the drum over and repeat same process to install bottom head. Both heads are the same thickness and weight. Stand the bass drum upright and be sure that the bass drum spurs are secured and even. Attach the bass drum pedal (K) to the bottom rim of the bass drum hoop. Tighten pedal clamp by the wing nut under the footboard so that it is firmly attached to the hoop. Insert the felt bass drum beater and adjust so the beater strikes the middle of the bass drum head. Tighten with the drum key. Insert the two tom mounting arms (L) into the double tom holder mount on the bass drum and tighten.

Stand behind the bass drum and place the 12" tom on the tom arm to the left. Height and angles may be adjusted and positioned at this time. Once you've got the drum position to your liking simply tighten all wing nuts. Place the 13" tom on the tom arm to the right. Position drum accordingly.

Insert the 3 floor tom legs (N) into the brackets on the 16" floor tom (D) adjust height as necessary and tighten wing nuts. Stand the drum on the floor to the right of the bass drum.

Insert the top snare basket into the tripod base of the snare drum stand (H). Extend the three arms of the basket to cradle the assembled 14" snare drum (A). Adjust height and angle accordingly. Place the stand with the snare drum to the left of the bass drum

Now that the drums are set up and positioned, let's set up the cymbal stands and cymbals!

Spread the legs at the base of the cymbal stand (J) and set evenly on the floor. Insert the middle and top tubes of the cymbal stand into the tripod base. Adjust height as necessary and tighten. Spread tripod legs out evenly. The wider the legs are spread the more stable the stand will be while playing.

Place the ZILDJIAN® 18" Crash ride cymbal (G) over the threaded top of the cymbal stand leaving one washer and one cymbal felt on the underside and one cymbal felt and washer on top. Tighten wing nut leaving enough room for the cymbal to move during play.

Spread the legs at the base of the hi-hat stand (I) and set evenly on the floor. Insert the top center pull rod into the lower pull rod inside the base. Place the upper tube of the hi-hat over the pull rod and into the tripod base, adjust the height and tighten main wing nut.

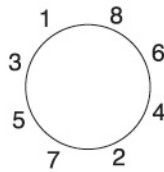
Place the ZILDJIAN® 14" bottom hi-hat cymbal (F) inverted to rest on the felt of the hi-hat cup on the stand. Assemble the hi-hat clutch to the ZILDJIAN® 14" Top hi-hat cymbal by making sure the cymbal is between the two felts on top and bottom of cymbal and tighten bottom nut. Then place the plastic lock nut on the clutch last. Place the top cymbal down over the pull rod and tighten clutch wing nut leaving about 3/4 inch space between the two cymbals.

The seat or drum throne has a black seat cushion that is attached to the top of the seats tripod base. Tighten the wing nut. Extend the tripods legs fully and adjust height that is comfortable for you by inserting the bolt with wing nut through one of the three height settings. See next page for complete diagram instructions.

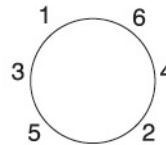
Once seated you can now fully adjust any angles and height of the drums, cymbals, and stands to your liking. Remember there is no limit to your creativity, so feel free to experiment with your set up!

Drum Tuning Diagrams and Instructions

At this point you should have finger tightened the tension rods on all drum heads. Use the drum key (T) to tighten the tension rods and fine-tune the drums. Use the order in the diagrams below. Apply an equal amount of tension to each lug. Turn each lug 1/4 inch turn until pitch and tone of the drum begin to sound. The smaller drums can have a higher pitch and the bass drum would then have the lowest pitch. Again, experiment to what sounds best for you.



Bass



Snare/Tom Tom/Floor Tom

Good luck and drum on!



First Act Inc.
P.O. Box 811
Needham, MA 02494 USA
Model #MD890
www.firstact.com
Drums and hardware made in China
Zildjian® cymbals made in the USA

Colors and specifications depicted in instruction manual may vary slightly from product.
Info@firstact.com
CUSTOMER SERVICE 888-551-1115
© 2004 FIRST ACT INC. ALL RIGHTS RESERVED.
First Act is a registered trademark of First Act Inc.
Zildjian is a registered trademark of Avedis Zildjian Company