

UBs 1.6 / 1.6c



Universal Sheet Metal Shear



SERVICE

Tool service and maintenance must be performed only by qualified repair personnel.

When servicing a tool, only use identical replacement parts available from FEIN.

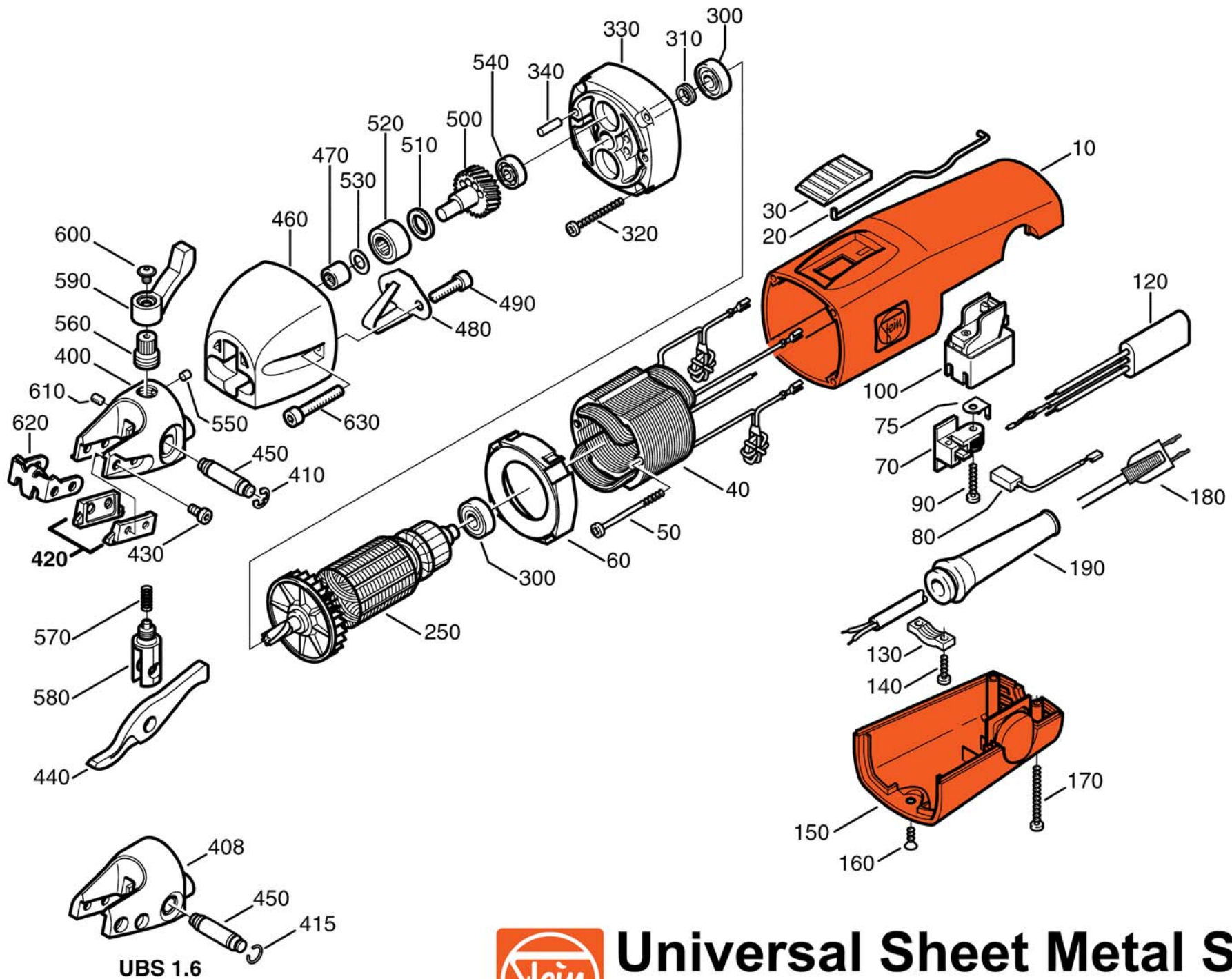
Repairs on FEIN Power Tools required the use of special tools (pulling devices and bearing press). Authorized repair centers have trained repair technicians and equipment necessary to perform these repairs. Service or repairs performed by unqualified persons could result in operator injury.

For the location of the repair center near you, please call 1-800-441-9878. Monday thru Friday, 9AM to 5PM EST. Or, look on our web site at www.feinus.com and follow the link to "Authorized Warranty Repair Centers"

**FEIN Power Tools
1030 Alcon Street
Pittsburgh, PA 15220**

Phone: 412-922-8886 Fax: 412-922-8767 Toll Free: 1-800-441-9878

April 15, 2004



UBS 1.6



Universal Sheet Metal Shear
Model : UBs 1.6 / UBs 1.6c

Fein Power Tools

UBs 1.6 / 1.6c Parts List

<u>Item</u>	<u>Item Number</u>	<u>Description</u>	<u>Reqd.</u>	
10	3-19-01-109-02-4	MOTOR HOUSING	1	_____
20	3-28-16-051-00-1	ROD	1	_____
30	3-28-05-152-00-9	SWITCH BUTTON	1	_____
40	5-1-272-004-11-9	FIELD COIL	1	_____
50	4-30-70-014-00-0	SCREW	2	_____
60	3-14-28-114-00-8	AIR CONDUCTING RING	1	_____
70	3-07-12-087-01-5	BRUSH HOLDER	2	_____
75	3-07-17-193-00-0	BRUSH CAP	2	_____
80	3-07-11-129-00-9	CARBON BRUSH	2	_____
90	4-30-70-015-00-4	SCREW	2	_____
100	3-07-01-060-00-0	REVERSING SWITCH	1	_____
120	3-07-22-178-01-6	CAPACITOR	1	_____
130	3-24-31-026-00-9	CABLE CLAMP	1	_____
140	4-30-70-001-00-6	SCREW	2	_____
150	3-24-27-108-01-6	COVER	1	_____
160	4-30-70-003-00-3	SCREW	1	_____
170	4-30-70-016-00-7	SCREW	2	_____
180	3-07-07-101-01-2	CABLE	1	_____
190	3-14-13-164-00-9	CABLE PROTECTING SLEEVE	1	_____
250	5-3-272-005-11-5	ARMATURE	1	_____
300	4-17-01-001-17-2	BALL BEARING	2	_____
310	3-26-12-125-00-0	PACKING RING	1	_____
320	4-30-70-026-00-6	SCREW	4	_____
330	3-15-06-351-00-0	INTERMEDIATE BEARING	1	_____
340	4-02-01-036-00-6	PIN	1	_____
400	3-13-08-155-00-7	TOOL HOLDER HOUSING (UBS 1.6)	1	_____
	3-13-08-159-00-6	TOOL HOLDER HOUSING (UBS 1.6c)	1	_____
410	4-26-15-142-00-8	RETAINING RING (UBS 1.6)	2	_____
	4-26-34-010-00-6	RETAINING RING (UBS 1.6c)	2	_____
420	3-13-08-153-01-4	CUTTING BAR (UBS 1.6)	1	_____
	3-13-08-153-02-0	CUTTING BAR (UBS 1.6c)	1	_____
430	4-30-33-089-04-8	SCREW (UBS 1.6)	4	_____
	4-30-33-090-04-0	SCREW (UBS 1.6)	4	_____
440	3-13-08-150-00-9	BLADE (UBS 1.6)	1	_____
	3-13-08-151-00-8	BLADE (UBS 1.6c)	1	_____
450	3-13-08-156-00-0	BOLT	1	_____
460	3-13-08-154-00-3	GEAR HOUSING	1	_____
470	4-17-05-006-00-6	NEEDLE BEARING	1	_____
480	3-13-08-157-00-4	PLATE SPRING	1	_____
490	4-30-35-019-05-9	SCREW	2	_____
500	3-13-08-158-01-1	ECCENTRIC SHAFT	1	_____
510	3-24-08-385-00-1	DISC	1	_____
520	4-17-24-003-00-2	BEARING	1	_____
530	3-24-08-386-00-4	DISC	1	_____
540	4-17-01-202-01-8	BALL BEARING	1	_____
550	3-13-08-160-00-8	THRUST PIECE (UBS 1.6c)	1	_____
560	3-13-08-161-00-7	KNURLED SCREW (UBS 1.6c)	1	_____
570	3-09-01-350-00-0	PRESSURE SPRING (UBS 1.6c)	1	_____
580	3-13-08-162-00-0	BLADE HOLDER (UBS 1.6c)	1	_____
590	3-13-08-163-00-4	HANDLE (UBS 1.6c)	1	_____
600	3-13-08-164-00-2	SCREW (UBS 1.6c)	1	_____
610	4-30-45-028-04-6	PIN SCREW (UBS 1.6c)	1	_____
620	3-13-08-165-00-6	CHIP CUTTER (UBS 1.6c)	1	_____
630	4-30-35-016-05-3	SCREW	2	_____