

MSH 636-1



Die Grinder



SERVICE

Tool service and maintenance must be performed only by qualified repair personnel.

When servicing a tool, only use identical replacement parts available from FEIN.

Repairs on FEIN Power Tools required the use of special tools (pulling devices and bearing press). Authorized repair centers have trained repair technicians and equipment necessary to perform these repairs. Service or repairs performed by unqualified persons could result in operator injury.

For the location of the repair center near you, please call 1-800-441-9878. Monday thru Friday, 9AM to 5PM EST. Or, look on our web site at www.feinus.com and follow the link to "Authorized Warranty Repair Centers"

**FEIN Power Tools
1030 Alcon Street
Pittsburgh, PA 15220**

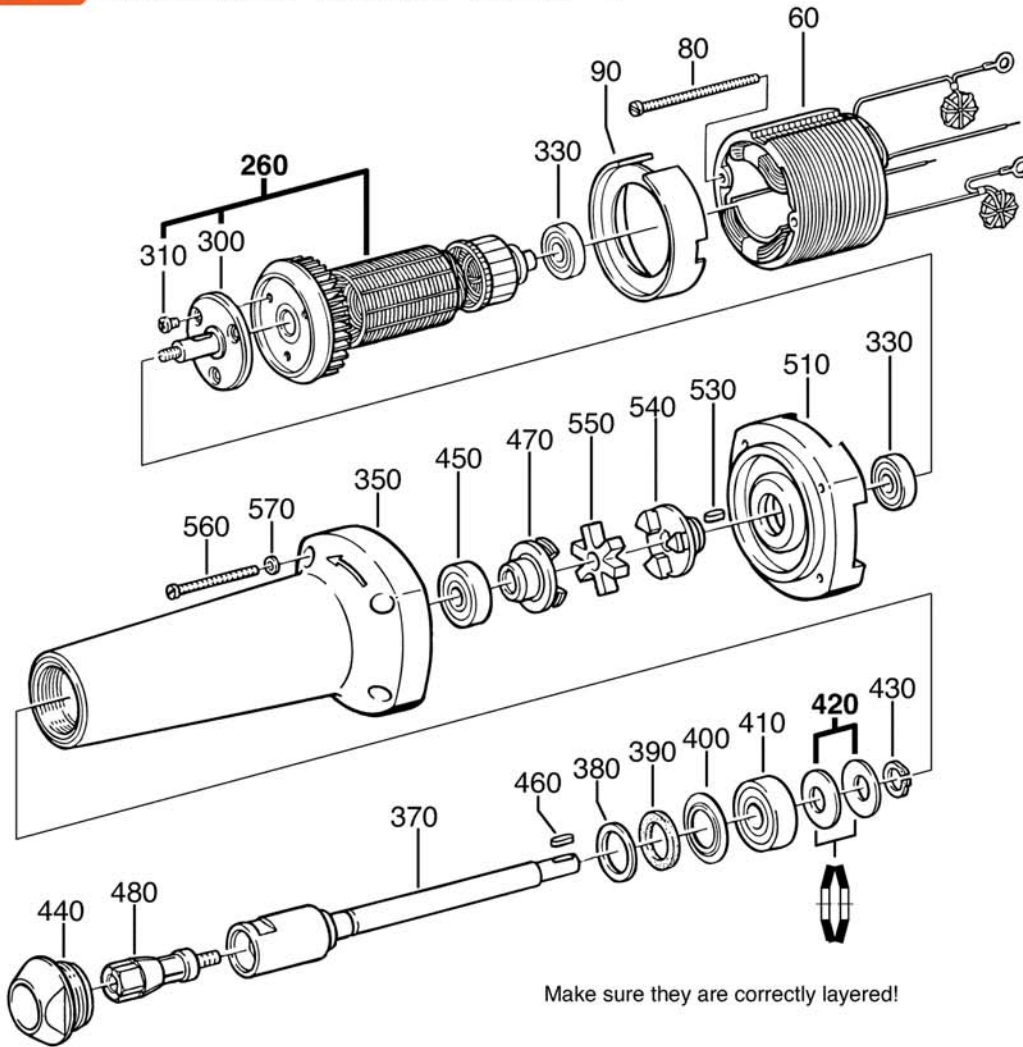
Phone: 412-922-8886 Fax: 412-922-8767 Toll Free: 1-800-441-9878

April 12, 2004

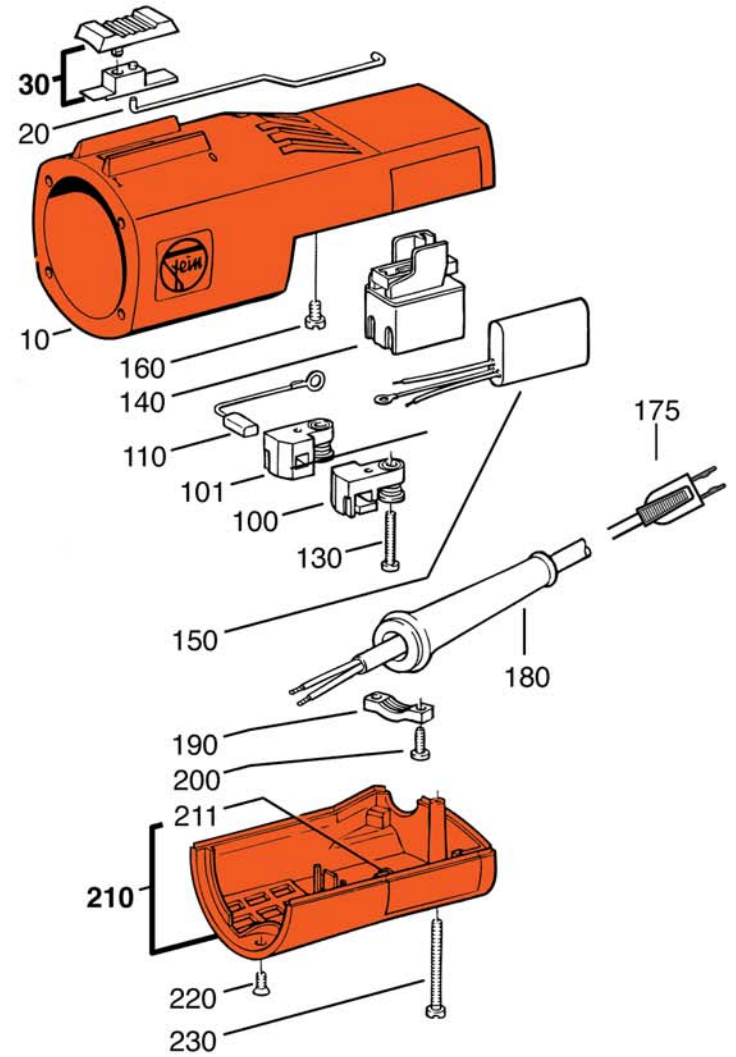


Die Grinder

Model: MSh 636-1



Make sure they are correctly layered!



FEIN Power Tools

MSh 636-1 Parts List

<u>Item</u>	<u>Item Number</u>	<u>Description</u>	<u>Reqd</u>
10	3-19-01-017-00-7	MOTORHOUSING	1
20	3-28-16-025-00-3	SWITCH BAR	1
30,40	3-28-05-118-01-3	SWITCH SLIDE	1
60	5-1-203-004-11-5	FIELD COIL	1
80	4-30-02-025-99-1	SCREW	2
90	3-14-28-007-00-1	AIR CONDUCTING RING	1
100	3-07-12-055-01-1	BRUSH HOLDER (RIGHT)	1
101	3-07-12-056-01-4	BRUSH HOLDER (LEFT)	1
110	3-07-11-062-00-1	CARBON BRUSH	2
130	4-30-41-007-99-0	SCREW	2
140	3-07-01-060-00-0	SWITCH	1
150	3-07-22-037-00-4	CAPACITOR	1
160	4-30-03-013-99-1	CYLINDRICAL SCREW	1
175	3-07-07-101-01-2	CABLE	1
180	3-14-13-142-00-9	CABLE PROTECTING SLEEVE	1
190	3-24-31-021-00-7	CABLE CLAMP	1
200	4-30-41-001-99-4	SCREW	2
210,211	3-24-27-028-00-6	COVER	1
211	3-14-15-042-00-8	SWITCH PADDING	1
220	4-30-66-002-99-2	SCREW	1
230	4-30-03-025-99-2	SCREW	1
260-310	5-3-203-003-11-9	ARMATURE	1
300	3-34-12-026-00-2	CLUTCH SHAFT	1
310	4-30-64-001-99-3	SCREW	3
330	4-17-01-001-17-2	BALL BEARING	2
350	3-15-10-042-00-5	NECK HOUSING	1
370	3-34-03-047-00-6	DRIVE SHAFT	1
380	3-24-08-020-00-8	DISC	1
390	3-06-01-047-00-8	FELT RING	1
400	3-24-11-051-00-7	COVER PLATE	1
410	4-17-01-020-13-0	BALL BEARING	1
420	3-09-05-026-00-6	SPRING	2
430	4-26-16-013-00-1	SNAP RING	1
440	3-05-14-078-00-5	SLEEVE	1
450	4-17-01-204-09-5	BALL BEARING	1
460	4-02-21-001-00-9	FITTING KEY	1
470	3-01-02-045-00-0	CLUTCH	1
480	6-32-07-059-00-6	COLLET 6MM	1
	6-32-07-088-00-9	COLLET 1/4"	1
510	3-15-06-193-00-1	INTERMEDIATE	1
530	4-02-21-001-00-9	FITTING KEY	1
540	3-01-02-045-00-0	CLUTCH	1
550	3-01-02-046-00-3	INTERMEDIATE CLUTCH	1
560	4-30-02-021-99-2	SCREW	4
570	4-24-43-002-99-2	LOCK WASHER	4