

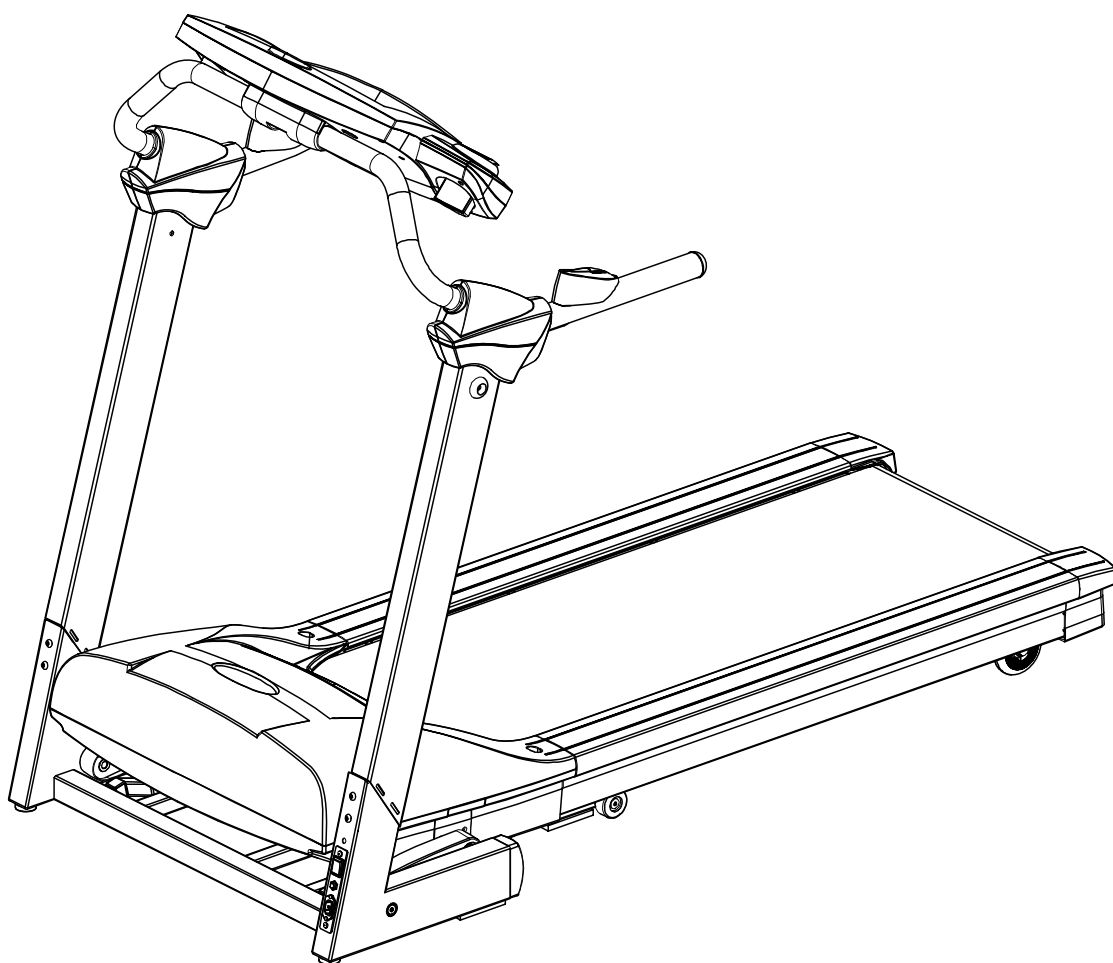
USER'S MANUAL

FX30 MOTORIZED TREADMILL

MODEL NUMBER: FX30



www.evofitness.com



USER WEIGHT LIMITATION: **120kgs.** (264lbs.)

SERIAL NUMBER (found on frame):



PRECAUTIONS

For future service or related questions:

Please staple your receipt and/or write in the name and phone number of the retail store where you purchased your Smooth Fitness treadmill.

Name: _____ Phone Number: _____ Receipt:

Precautions:

WARNING: To reduce the risk of burns, fire, electric shock, or injury to persons, read the following important precautions and information before operating the treadmill. It is the responsibility of the owner to ensure that all users of this treadmill are adequately informed of all warnings and precautions.

- Use the treadmill only as described in this manual.
- Place on a level surface, with 2 meters (6 feet) of clearance behind it. Do not place the treadmill on any surface that blocks air openings. To protect the floor or carpet from damage, place a mat under the treadmill.
- When choosing a location for the treadmill make sure that the location and position permit access to a plug.
- Keep the treadmill indoors, away from moisture and dust. Do not put the treadmill in a garage or covered patio, or near water.
- Do not operate the treadmill where aerosol products are used or where oxygen is being administered.
- Keep children under the age of 12 and pets away from the treadmill at all times.
- The treadmill should not be used by persons weighing more than 120kgs. (264lbs.)
- Never allow more than one person on the treadmill at a time. Wear appropriate exercise clothing when using the treadmill. Do not wear loose clothing that could become caught in the treadmill. Athletic support clothes are recommended for both men and women. Always wear athletic shoes. Never use the treadmill with bare feet, wearing only stockings, or in sandals.
- When connecting the power cord, plug the power cord into a grounded circuit. No other appliance should be on the same circuit.
- Always straddle the belt and allow it to start moving before stepping onto the belt.
- Always examine your treadmill before using to ensure all parts are in working order.
- Allow the belt to fully stop before dismounting.
- Never insert any object or body parts into any opening.
- Follow the safety information in regards to plugging in your treadmill.
- Keep the power cord away from the incline wheels and do not run the power cord underneath your treadmill. Do not operate the treadmill with a damaged or frayed power cord.
- Always unplug the treadmill before cleaning and/or servicing. Service to your treadmill should only be performed by an authorized service representative, unless authorized and/or instructed by the manufacturer. Failure to follow these instructions will void the treadmill warranty.
- Never leave the treadmill unattended while it is running.
- Safety area of 2,000mm X 1,000mm behind the equipment.
- Use "safety key" when operating the treadmill and make sure "safety key" clipped on the cloth.
- Remove the safety key and store it away in a safe place when the treadmill is not in use. Keep the safety key away from children.

POWER REQUIREMENTS

- The emergency dismount function : Please hold the handle bar and step on the foot platform for emergency dismount, the safety key unclipped from the computer automatically. The treadmill power will stop immediately. The running belt will be slowed down, and then user can get off from the treadmill.

Power Requirements:

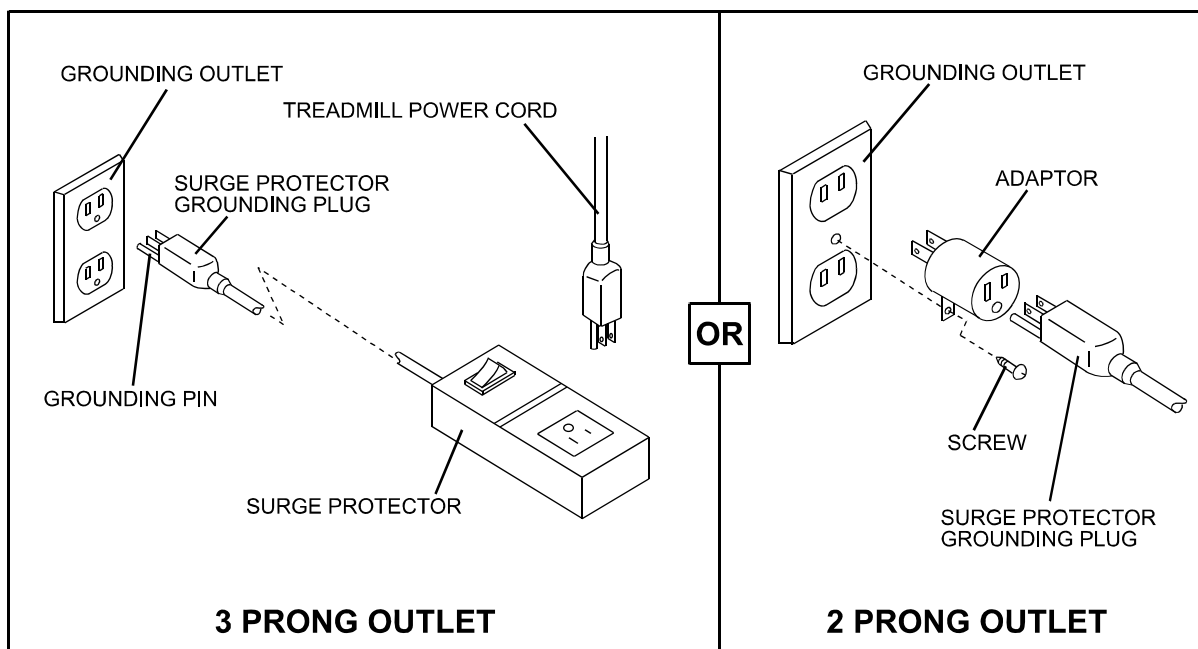
IMPROPER CONNECTION OF THE EQUIPMENT GROUNDING CONNECTOR CAN RESULT IN A RISK OF AN ELECTRIC SHOCK. CHECK WITH A QUALIFIED ELECTRICIAN OR SERVICE MAN IF YOU ARE IN DOUBT AS TO WHETHER THE PRODUCT IS PROPERLY GROUNDING. DO NOT MODIFY THE PLUG PROVIDED WITH THE PRODUCT, IF IT WILL NOT FIT THE OUTLET; HAVE A PROPER OUTLET INSTALLED BY A QUALIFIED ELECTRICIAN.

This treadmill can be seriously damaged by sudden voltage changes in your home's electrical power. Voltage spikes, surges and noise interference can result from weather conditions or from other appliances being turned on or off. To reduce the possibility of treadmill damage, always use a surge protector (not included) with your treadmill.

Surge protectors can be purchased at most hardware stores. The manufacturer recommends a single outlet surge protector with a UL 1449 rating as a Transient Voltage Surge Suppressor (TVSS) with a UL suppressed voltage rating of 400V or less and an electrical rating 220VAC, 15 amps.

This treadmill must be grounded to reduce the risk of electrical shock. Grounding provides a path of least resistance for electric current, should the treadmill malfunction. This treadmill comes with an electrical cord having an equipment-grounding conductor and a grounding plug. Always plug the power cord into a surge protector, and plug the surge protector into an appropriate outlet that is properly installed and grounded in accordance with all local codes and ordinances.

This product is for use on a nominal 220-volt circuit, and has a grounding plug that looks like the plug illustrated in the drawing below.



PREASSEMBLY

Open the boxes:

You are now ready to open the boxes of your new equipment. Make sure to inventory all of the parts that are included in the boxes. Check the Hardware Comparison Chart for a full count of the number of parts included for this product to be assembled properly. If you are missing any parts or have any assembly questions call the manufacturer.

Gather your tools:

Before starting the assembly of your unit, make sure that you have gathered all the necessary tools you may require to assemble the unit properly. Having all of the necessary equipment at hand will save time and make the assembly quick and hassle-free.

Clear your work area:

Make sure that you have cleared away a large enough space to properly assemble the unit. Make sure the space is free from anything that may cause injury during assembly. After the unit is fully assembled, make sure there is a comfortable amount of free area around the unit for unobstructed operation.

Invite a friend:

Some of the assembly steps may require heavy lifting. It is recommended that you obtain the assistance of another person when assembling this product.

User Weight Limitation:

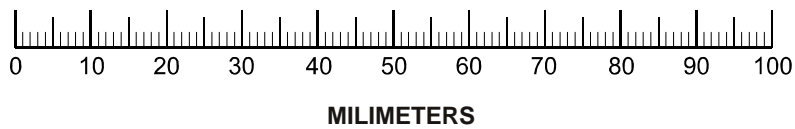
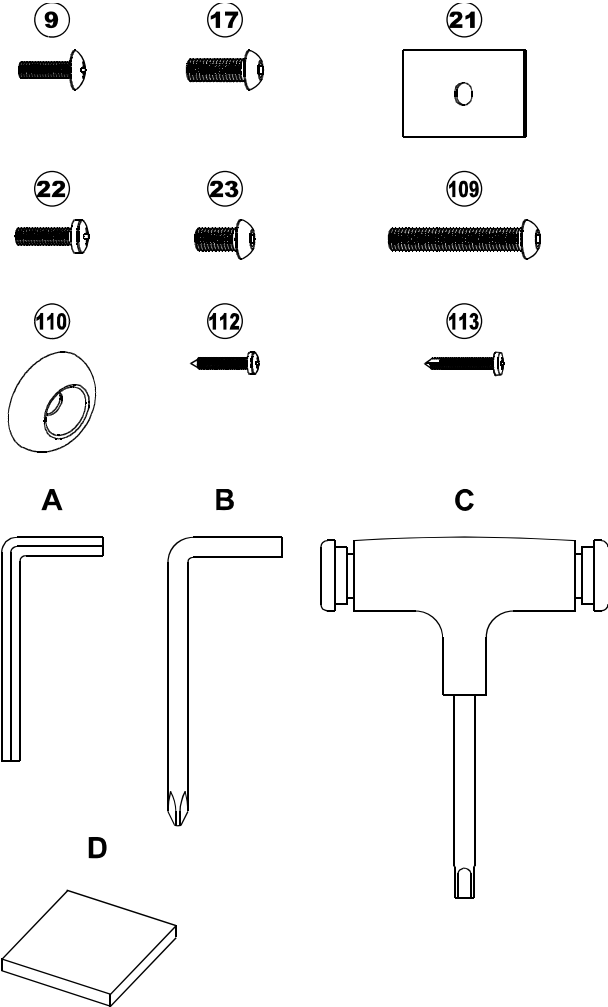
Please note that there is a weight limitation for this product. **If you weigh more than 120kgs (264lbs.) it is not recommended that you use this product. Serious injury may occur if the user's weight exceeds the limit shown here.** This product is not intended to support users whose weight exceeds this limit.

HARDWARE COMPARISON CHART

Hardware chart:

For your convenience, we have identified the hardware used in the assembly of this product. This chart is provided to help you identify those items that may be unfamiliar to you.

NO.	DESCRIPTION	QTY.
9	M6 x 15mm Screw	2
17	M8 x 15mm Allen Head Bolt	4
21	Plastic Cover	2
22	M6 x 20mm Screw	2
23	M8 x 19mm Bolt	4
109	M8 x 76mm Screw	2
110	Metal Cap	2
112	M4 x 20mm Screw	4
113	M8 x 15mm Screw	4
A	Wrench	1
B	Wrench	1
C	Allen Wrench	1
D	Square Cushion	2



FX30 MOTORIZED TREADMILL

PARTS LIST

NO.	DESCRIPTION	QTY.	ORDER NO.	NO.	DESCRIPTION	QTY.	ORDER NO.
1	Computer Frame	1	FX30-01	29	6.5 x 13mm Washer	1	XFIT2-29
2	Console	1	FX30-02	30	Fold Up Lock	1	XFIT2-30
3	Top Console Housing	1	XFIT2-03	31	Spring	1	XFIT2-31
4	Bottom Console Housing	1	XFIT2-04	32	Base Frame End Cap	2	XFIT2-32
5	Wire Protection Ring	1	XFIT2-	33	Level Adjust	2	XFIT2-33
6	Safety Key	1	XFIT2-06	34	Base Frame	1	XFIT2-34
7	M4 x 12mm Screw	17	XFIT2-07	35	Rear Moving Wheel	2	XFIT2-35
8	Console Support Tube	1	XFIT2-08	36	Cushion	4	XFIT2-36
9	M6 x 15mm Screw	2	XFIT2-09	37	Cap	1	XFIT2-37
10	Handlebar Front End Cap	2	XFIT2-10	38	3/8" x 30mm Bolt	1	XFIT2-38
11	Motion Control Sensor	2	XFIT2-11	39	Bushing	1	XFIT2-39
12	Hand Pulse Sensor	2	XFIT2-12	40	Wheel	1	XFIT2-40
13	M8 x 50 Bolt	6	XFIT2-13	41	Deck Frame Support	1	XFIT2-41
14	Handlebar - Left	1	XFIT2-14	42	Shock	1	XFIT2-42
15	Handlebar - Right	1	XFIT2-15	43	C Clip	2	XFIT2-43
16	Plastic Fixing Insert	6	XFIT2-16	44	4.5 x 12mm Washer	8	XFIT2-44
17	#8 x 25 Screw	8	XFIT2-17	45	M8 x 15mm Screw	30	XFIT2-45
18	M5 x 10mm Allen Head Bolt	1	XFIT2-18	46	M10 Nylon Nut	4	XFIT2-46
19	Left Upright	1	XFIT2-19	47	Bushing	2	XFIT2-47
20	Right Upright	1	XFIT2-20	48	M8 x 40mm Bolt	2	XFIT2-48
21	Plastic Cover	2	XFIT2-21	49	M8 Nylon Nut	3	XFIT2-49
22	M6 x 20mm Screw	2	XFIT2-22	50	M10 x 60mm Bolt	2	XFIT2-50
23	M8 x 15mm Bolt	8	XFIT2-23	51	Caster Wheel	2	XFIT2-51
24	M5 x 8mm Bolt	2	XFIT2-24	52	Caster Bracket	2	XFIT2-52
25	Switch Plate	1	XFIT2-25	53	Console Cover - Upper	1	XFIT2-53
26	M14 x 90mm Bolt	2	XFIT2-26	54	Motor Hood Insert	1	XFIT2-54
27	Elevation Support Tube Cover - Right	1	XFIT2-27	55	Motor Hood	1	XFIT2-55
28	M5 x 10mm Screw	1	XFIT2-28	56	M8 x 50mm Screw	2	XFIT2-56

FX30 MOTORIZED TREADMILL

PARTS LIST

NO.	DESCRIPTION	QTY.	ORDER NO.	NO.	DESCRIPTION	QTY.	ORDER NO.
57	6.5 x 13mm Washer	5	XFIT2-57	85	M6 x 70mm Screw	3	XFIT2-85
58	Side Rail	2	XFIT2-58	86	Deck Cushion	8	XFIT2-86
59	Deck End Cap - Left	1	XFIT2-59	87	Front Roller with Flywheel	1	XFIT2-87
60	Deck End Cap - Right	1	XFIT2-60	88	Front Roller Shaft	1	XFIT2-88
61	Running Belt	1	XFIT2-61	89	Fame Cover - Right	1	XFIT2-89
62	Rail Guide	8	XFIT2-62	90	10mm Shaft	1	XFIT2-90
63	M8 x 25mm Screw	8	XFIT2-63	91	Bushing	2	XFIT2-91
64	Running Deck	1	XFIT2-64	92	Plastic Clamp - Top	2	XFIT2-92
65	Washer	2	XFIT2-65	93	Plastic Clamp - Bottom	2	XFIT2-93
66	Rubber Cushion	1	XFIT2-66	94	Bracket	2	XFIT2-94
67	M8 x 135mm Bolt	1	XFIT2-67	95	M10 x 90mm Screw	1	XFIT2-95
68	Motor Bracket	1	XFIT2-68	96	Spring Washer	8	XFIT2-96
69	M8 x 15mm Screw	2	XFIT2-69	97	Rear Roller	1	XFIT2-97
70	Spring Washer	2	XFIT2-70	98	Rear Roller Shaft	1	XFIT2-98
71	8 x 16mm Washer	2	XFIT2-71	99	M8 Nut	8	XFIT2-99
72	M10 x 136mm Hex Bolt	1	XFIT2-72	100	M8 x 19mm Allen Head Bolt	4	XFIT2-100
73	Driving Motor	1	XFIT2-73	101	Deck Wheel	2	XFIT2-101
74	Motor Drive Belt	1	XFIT2-74	102	M8 x 43mm Bolt	2	XFIT2-102
75	Elevation Motor	1	XFIT2-75	103	Motor Belly Pan	1	XFIT2-103
76	Clip	2	XFIT2-76	104	M8 x 35mm Screw	3	XFIT2-104
77	M5 x 12mm Screw	2	XFIT2-77	105	Elevation Support Tube Cover - Left	1	XFIT2-105
78	M10 x 63mm Bolt	1	XFIT2-78	106	Deck Frame	1	XFIT2-106
79	Motor Control Board	1	XFIT2-79	107	Cap	2	XFIT2-107
80	Transformer Board	1	XFIT2-80	108	Rubber Cushion	2	XFIT2-108
81	M10 x 35mm Screw	9	XFIT2-81	109	M8 x 76mm Screw	2	XFIT2-109
82	Elevation Support	1	XFIT2-82	110	Metal Cap	2	XFIT2-110
83	Micro Switch	1	XFIT2-83	111	Cross Brace	1	XFIT2-111
84	Frame Cover - Left	1	XFIT2-84	112	Console Cover - Bottom	1	XFIT2-112

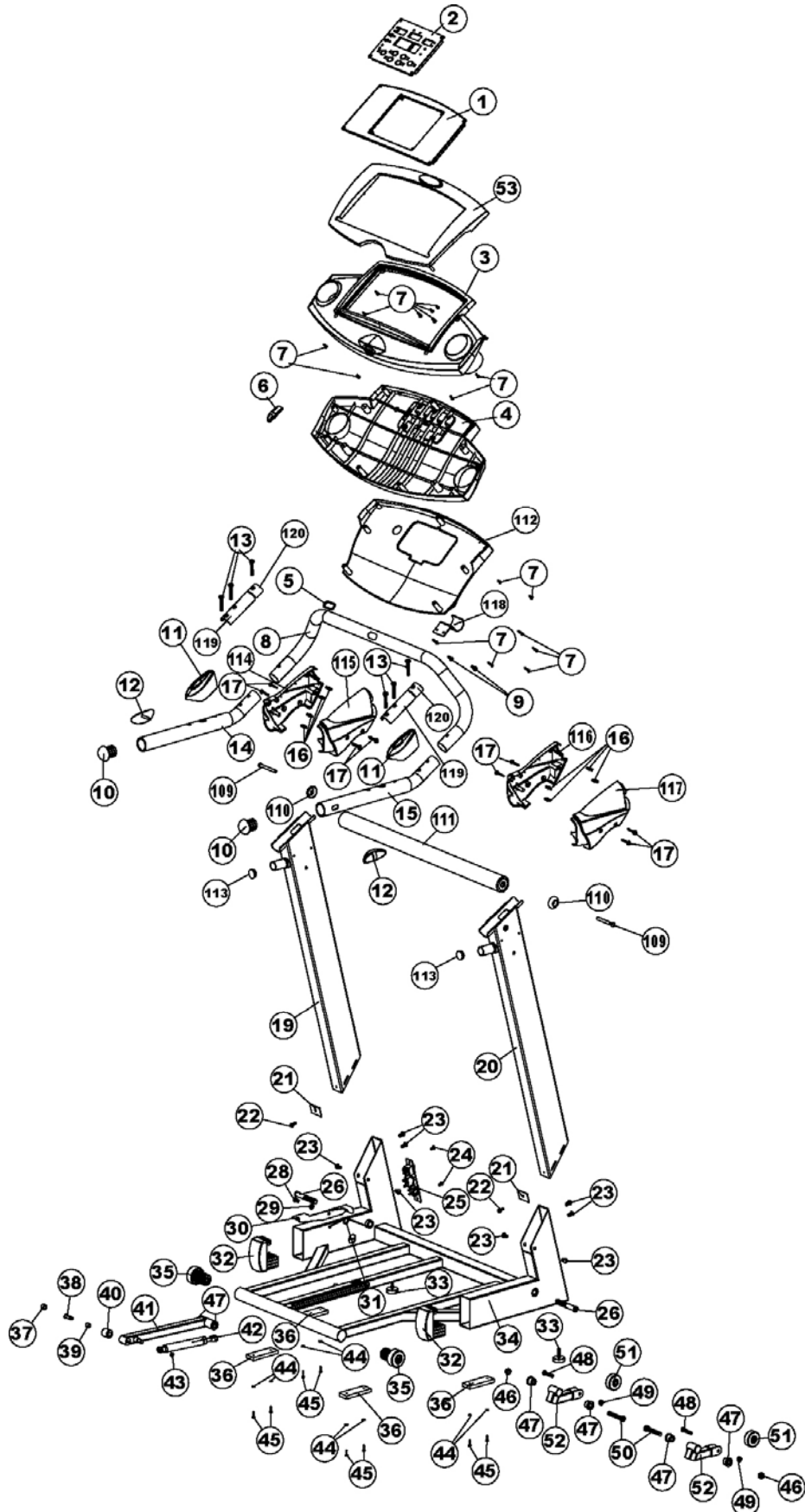
FX30 MOTORIZED TREADMILL

PARTS LIST

NO.	DESCRIPTION	QTY.	ORDER NO.	NO.	DESCRIPTION	QTY.	ORDER NO.
113	M8 x 15mm Screw	4	XFIT2-113				
	Handlebar Rear End						
114	Cap – Left #1	1	XFIT2-114				
	Handlebar Rear End						
115	Cap – Left #2	1	XFIT2-115				
	Handlebar Rear End						
116	Cap – Right #2	1	XFIT2-116				
	Handlebar Rear End						
117	Cap – Right #1	1	XFIT2-117				
	Console Housing						
118	Fixing Plate	1					
	Handlebar Fixing						
119	Plate	2					
	Console Support						
120	Tube Fixing Plate	2					
	Motion Control Wire –						
121	Upper Section	1					
	Motion Control Wire –						
122	Bottom Section	1					
	EKG Pulse Wire –						
123	Upper Section	1					
	EKG Pulse Wire –						
124	Bottom Section	1					

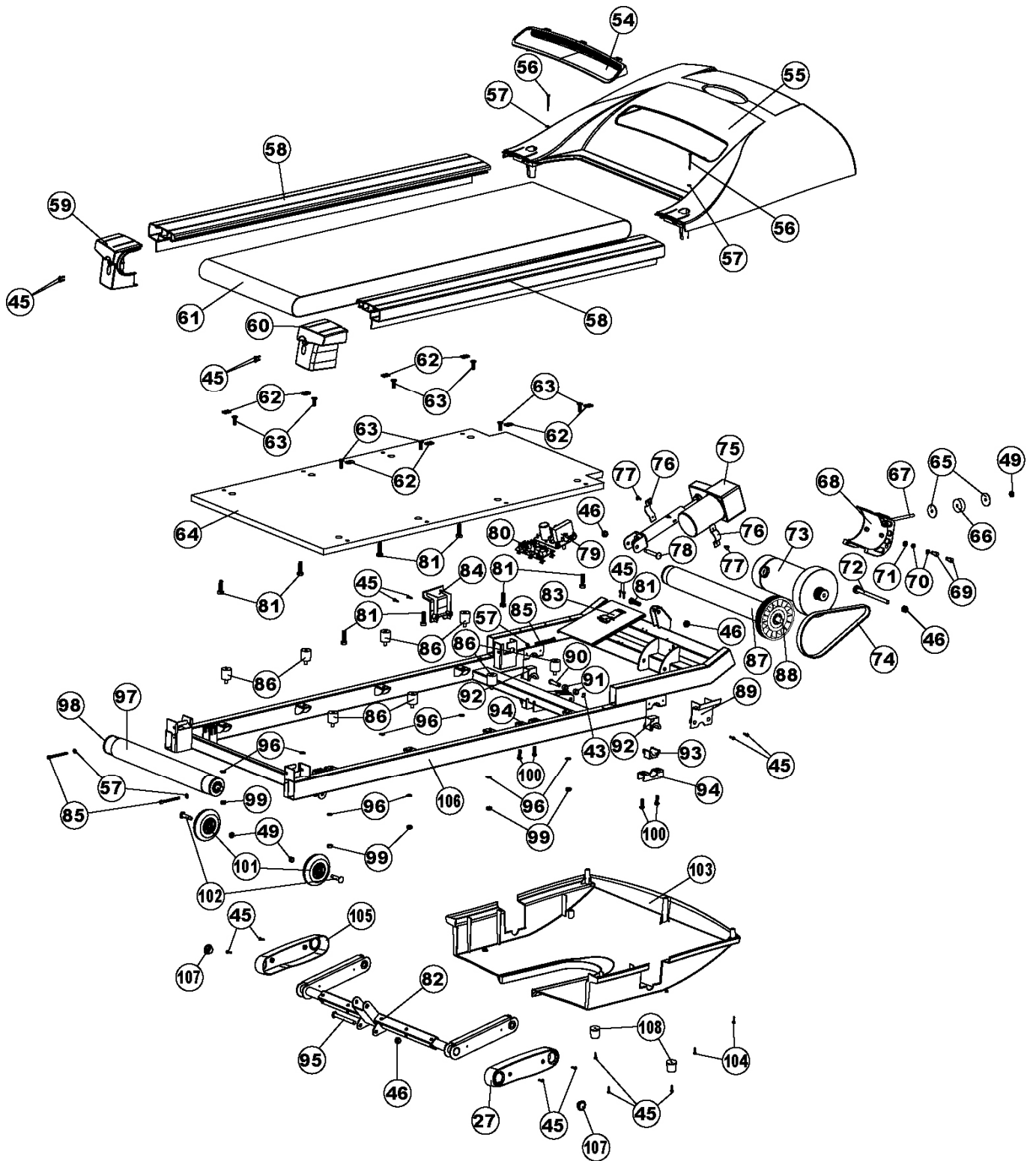
PARTS DIAGRAM

A MAJORITY OF THE PARTS SHOWN HERE HAVE BEEN PREASSEMBLED AT THE FACTORY.



PARTS DIAGRAM

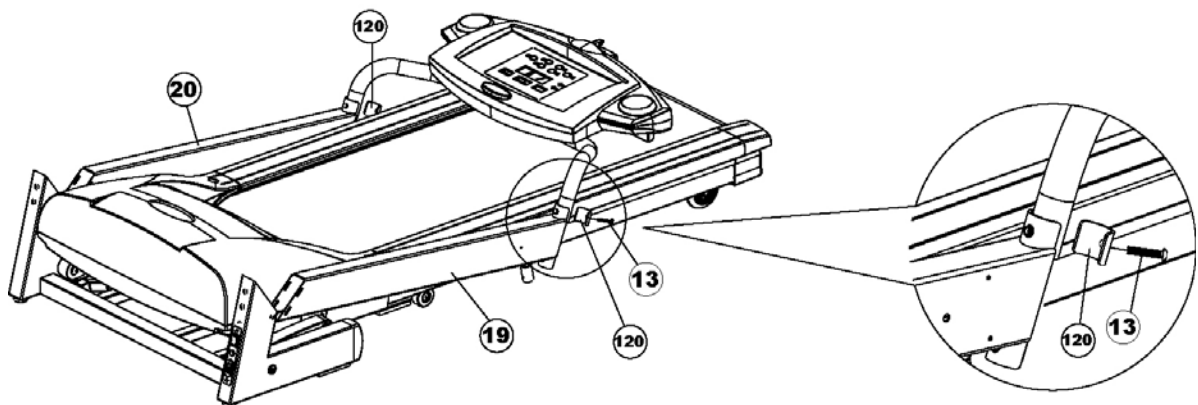
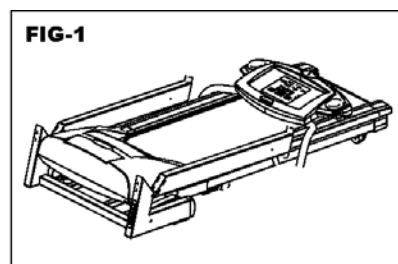
A MAJORITY OF THE PARTS SHOWN HERE HAVE BEEN PREASSEMBLED AT THE FACTORY.



ASSEMBLY**STEP 1:**

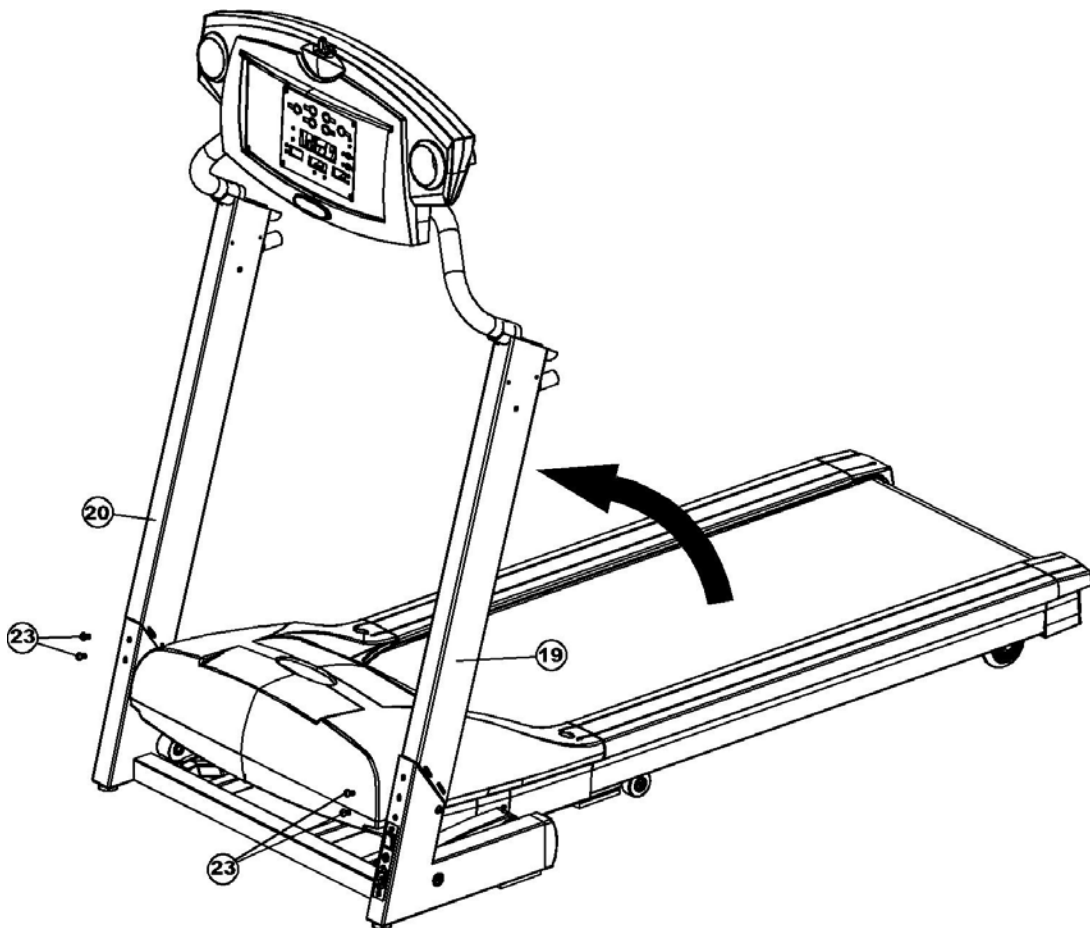
Remove your treadmill from the carton and place it on the floor in an open area as shown in FIG-1.

Attach the Console Support Tube (8) to the Left Upright (19) and Right Upright (20) using Console Support Tube Fixing Plate (120) and M8 x 50 Allen Head Bolt (13).



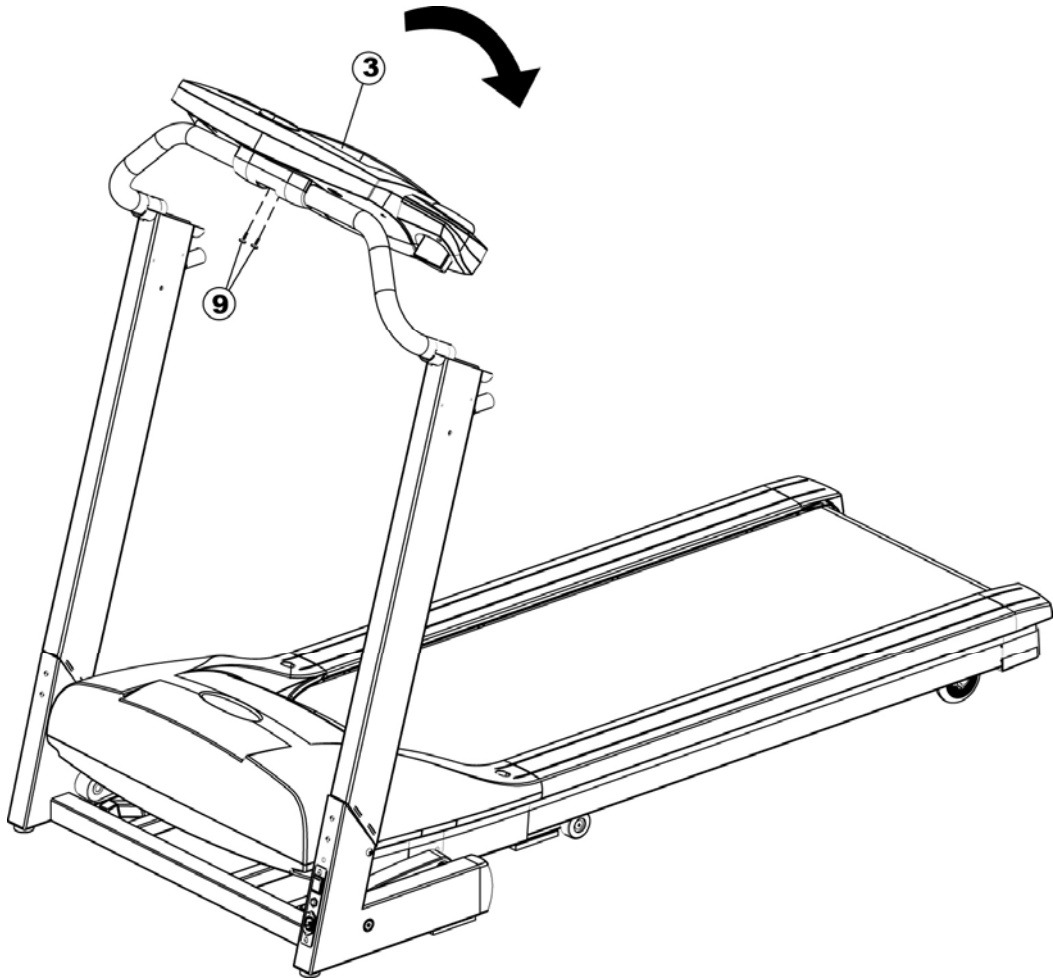
ASSEMBLY**STEP 2:**

Rotate the Left Upright (19) and Right Upright (20) to the correct position as shown and secure in place using four M8 x 15 Bolt (23).



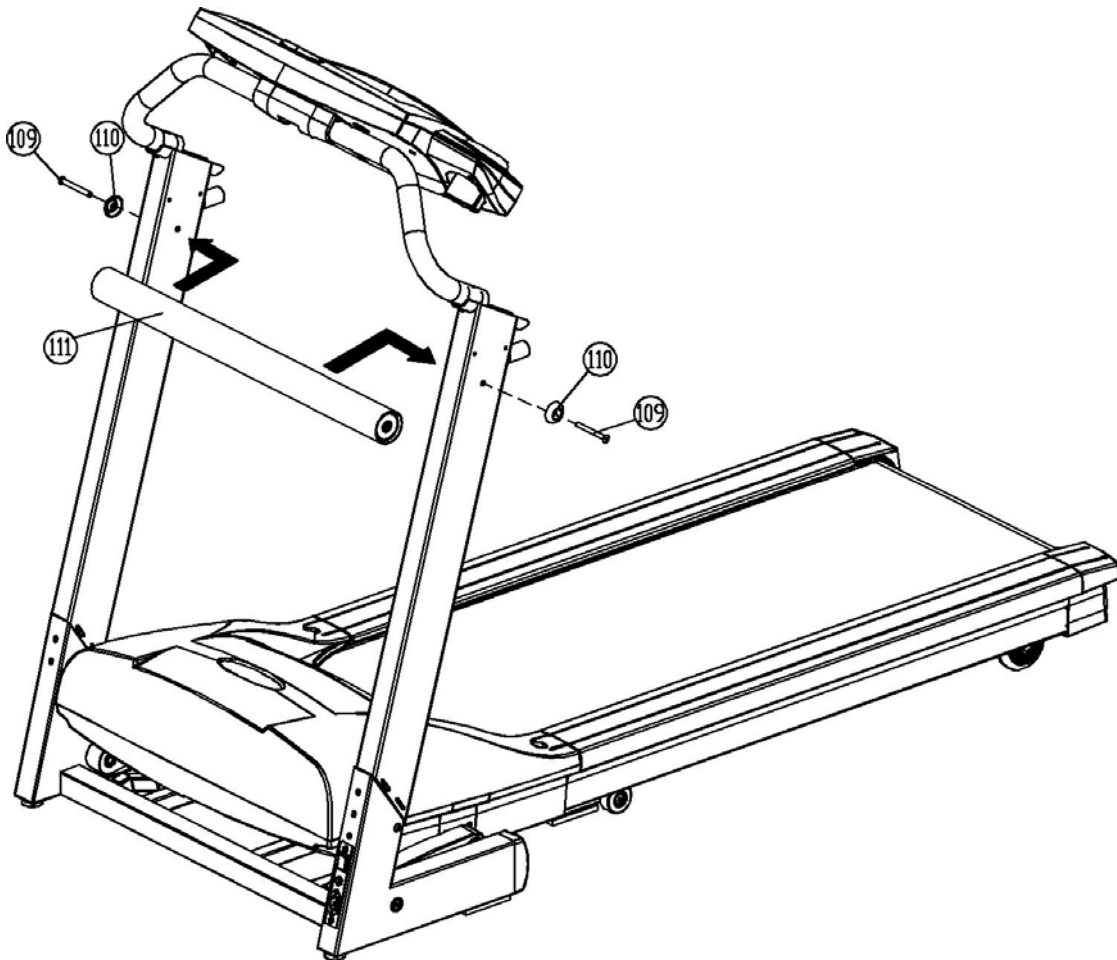
ASSEMBLY**STEP 3:**

Rotate the console up to the correct position as shown and secure in place using two M6 x 15 Screws (9).



ASSEMBLY**STEP 4:**

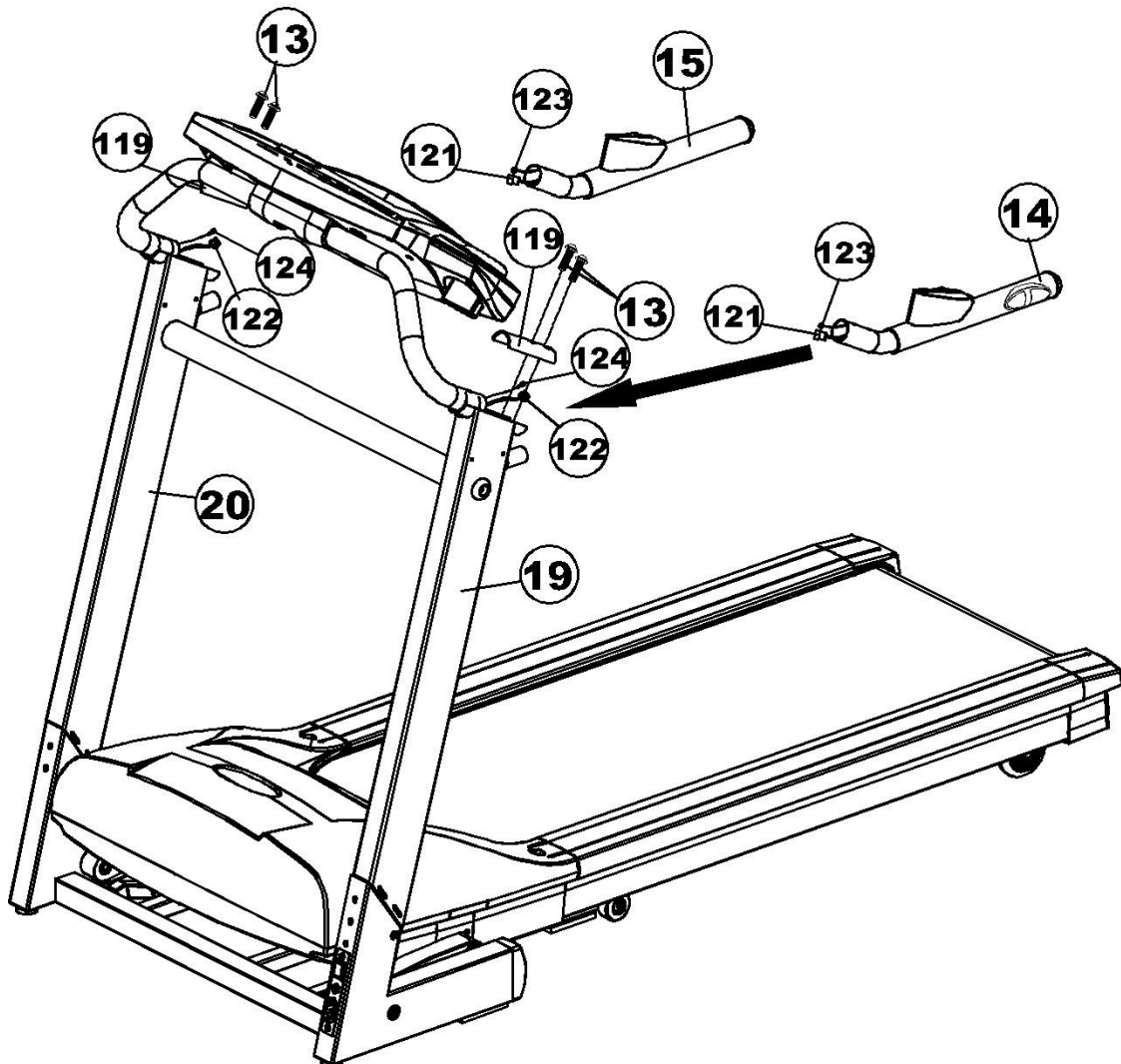
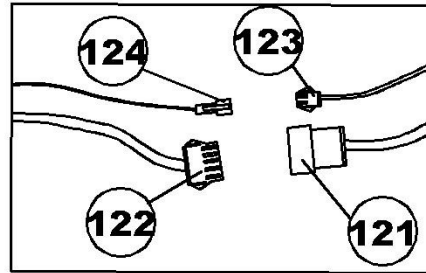
Attach the Cross Brace (111) to Left and Right Upright (19 and 20) with Metal Cap (110) and M8 x 76mm Screw (109).



ASSEMBLY

STEP 5:

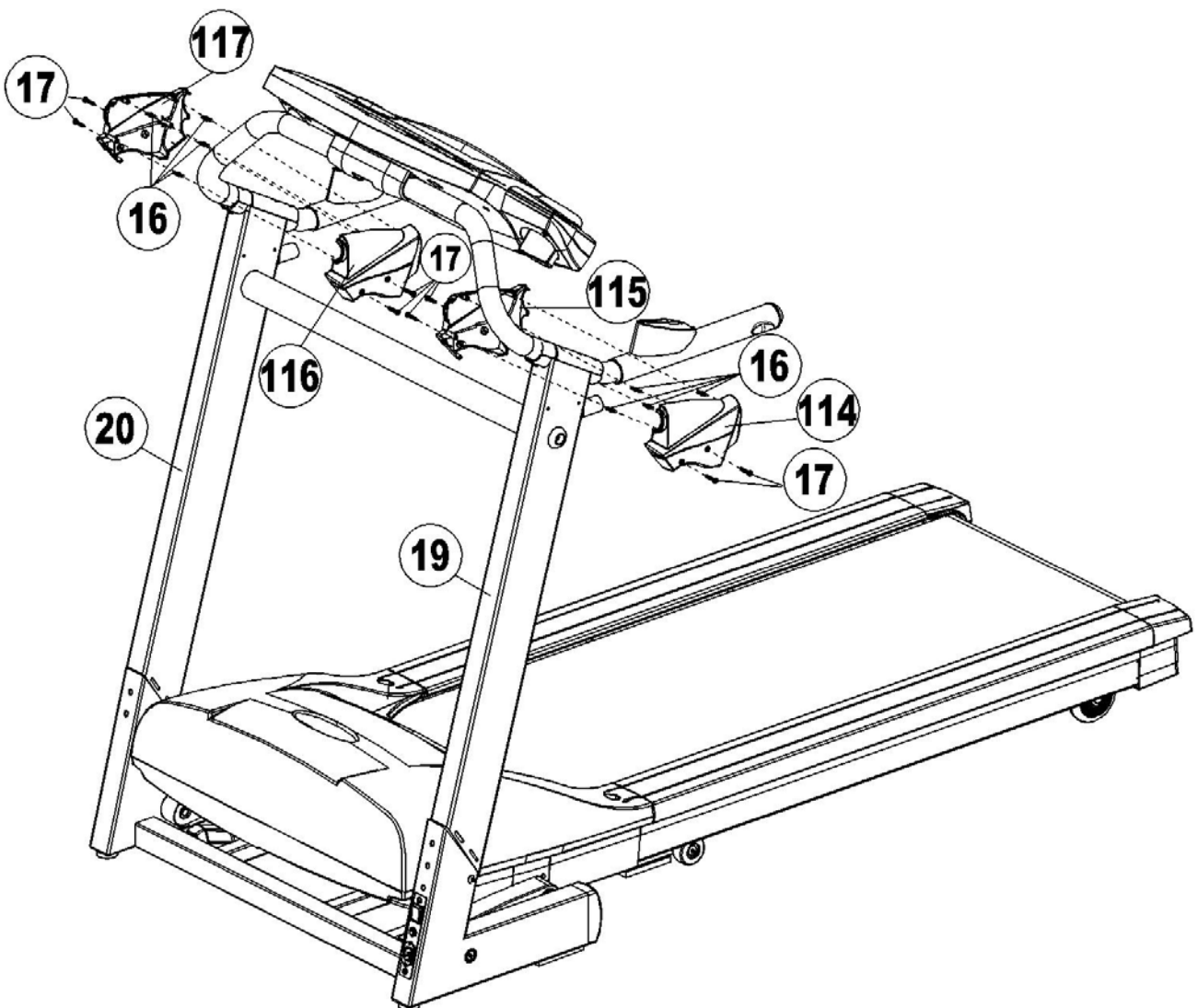
First connect the wires between the Left Handlebar (14) and Left Upright (19) as shown in FIG 2 then attach the Left Handlebar (14) to the Left Upright (19) using two M8 x 50 Bolts (13). Repeat this procedure for the Right Handlebar (15) and Right Upright (20).



ASSEMBLY**STEP 6:**

Attach the Handlebar Rear End Cap – Left #1 (114) and Handlebar Rear End Cap – Left #2 (115) to Left Upright (19) using two Plastic Fixing Insert (16) and four #8 x 18 Screw (17).

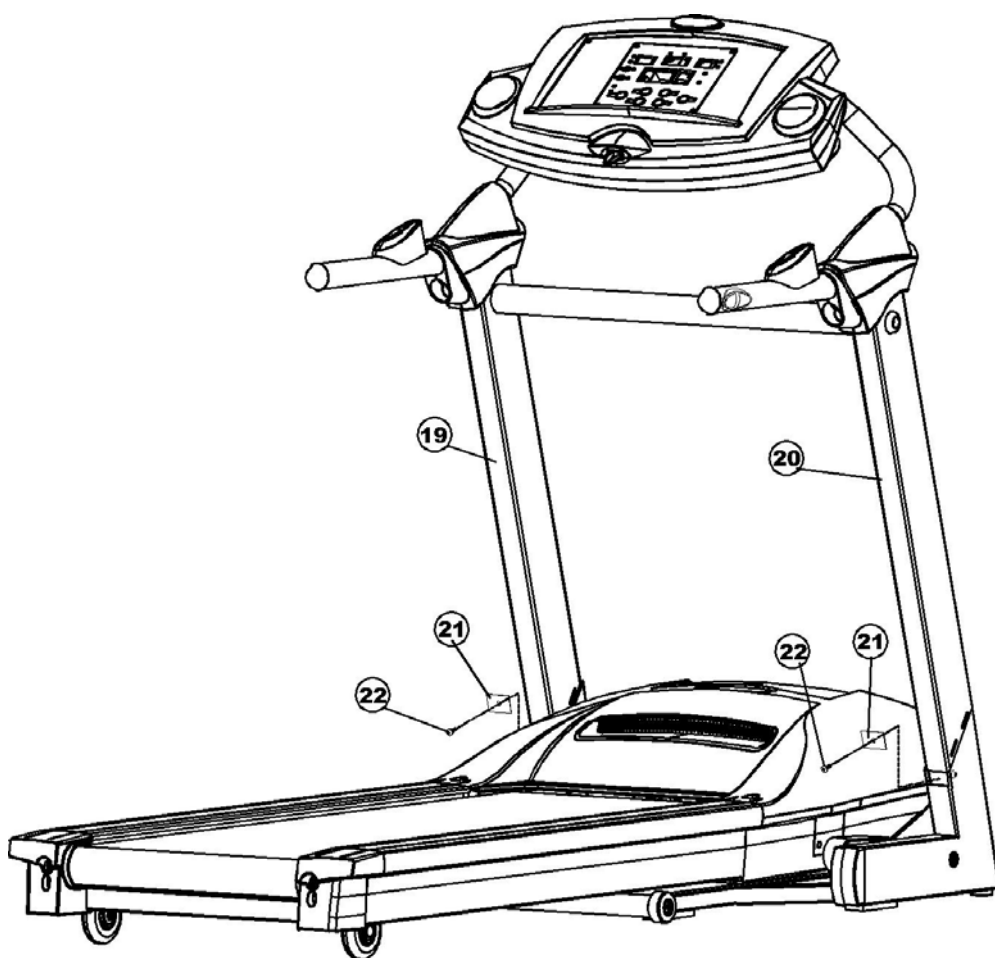
Attach the Handlebar Rear End Cap – Right #1 (117) and Handlebar Rear End Cap – Right #2 (116) to Right Upright (20) using two Plastic Fixing Insert (16) and four #8 x 18 Screw (17).



ASSEMBLY**STEP 7:**

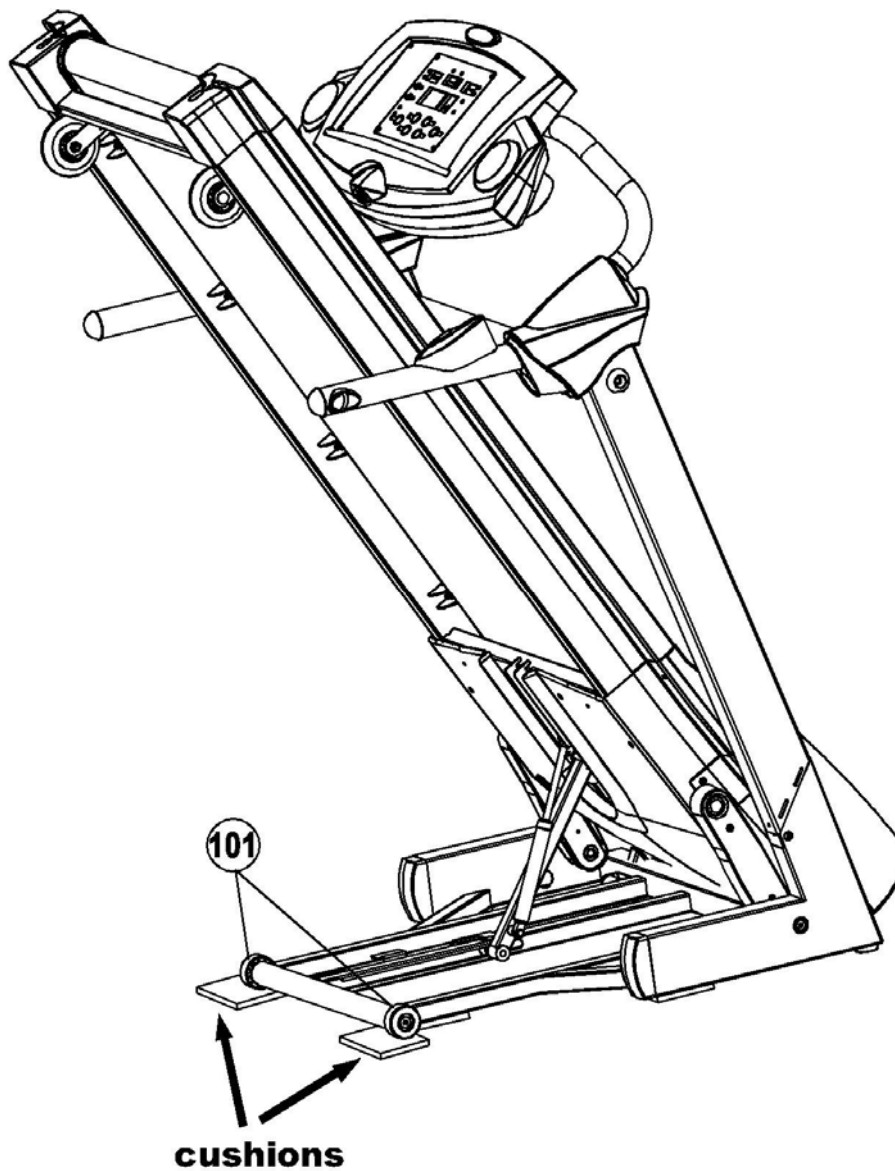
Attach one Plastic Cover (21) to the Left Upright (19) and Right Upright (20) and secure in place using one M6 x 20 Screw (22) for each.

Your FX30 treadmill is now fully assembled.



ASSEMBLY**HOW TO INSTALL THE WHEEL CUSHIONS:**

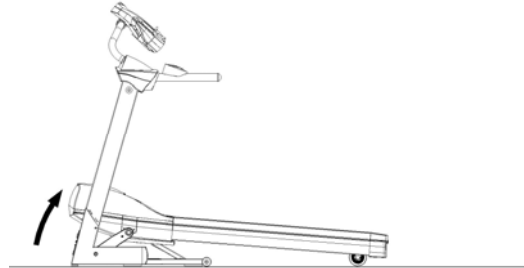
Two Square Cushions have been included with this treadmill. These can be placed under the two Rear Moving Wheels (35) to keep the wheels from vibrating and making noise when exercising. To install the Square Cushions you will need to first fold up the treadmill deck. Follow the instructions found on the FOLDING INSTRUCTIONS page in this manual to fold up the deck. Lift each Rear Moving Wheel (35) up slightly and slide a Square Cushion under each wheel.



STABILIZER ADJUSTMENT**How to level the treadmill:**

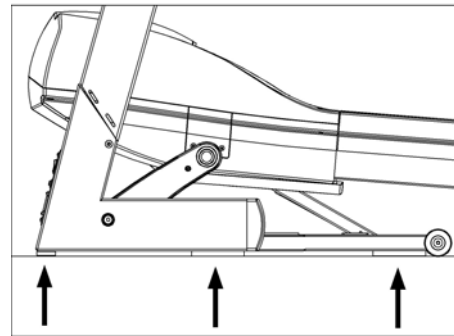
An uneven floor or improper stabilizer level can cause the treadmill to wobble during use as well as the incline adjustment to function incorrectly. Please follow the procedure described below to make sure the treadmill stabilizer is adjusted correctly prior to use. You may need the assistance of another person to perform this adjustment.

1. To perform the stabilizer adjustment you first need to bring the treadmill to the highest incline level as shown in drawing 1. After you've completed the assembly procedure plug in the power cord and switch on the POWER SWITCH. Insert the Safety Key and press the START button to quick start the treadmill. Press the INCLINE UP button until the deck reaches its highest incline level. Now press the STOP button and pull out the Safety Key. Switch off the POWER SWITCH and unplug the power cord.

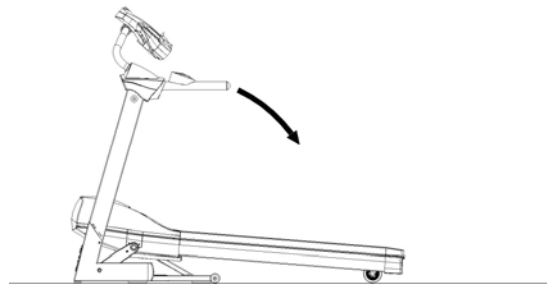


1. Raise deck to highest incline level.

2. Inspect the two stabilizers (one per side) located underneath the base frame. The treadmill should sit on the floor with both stabilizers and all four cushions resting firmly on the floor as shown in drawing 2. Shake the handlebars back and forth to check if they are resting firmly on the floor. If they are not, pull the handlebar backward to adjust the stabilizers as shown in drawing 3. Simply turn the stabilizers like a screw to adjust their heights. Repeat this until the treadmill sits firmly on the floor.



2. Check position of stabilizers and cushions.

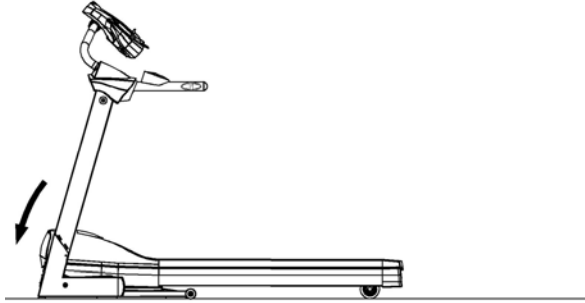


3. Tilt treadmill to access stabilizers.

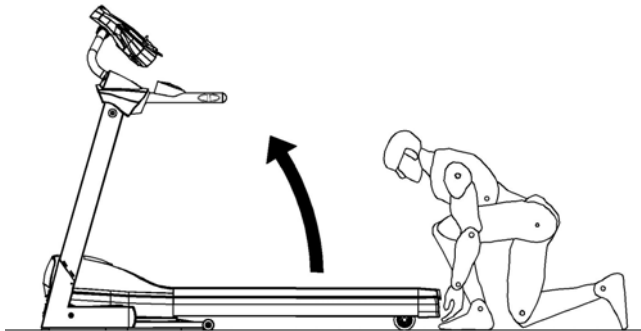
FOLDING INSTRUCTIONS**How to fold up the treadmill:**

Your treadmill can be folded up for space saving storage. To do this follow the instructions here:

1. To fold the deck you first need to bring the treadmill to the lowest incline level.

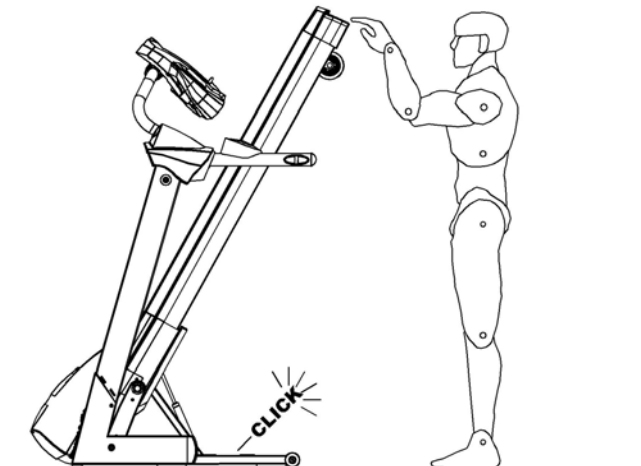


2. Lift the deck up from the rear of the treadmill and fold up until it locks in place. **TO PREVENT INJURY BE SURE YOU HAVE A FIRM HOLD WHEN RAISING THE DECK.**



2. Lift the deck up from the rear.

3. You will hear a "click" sound as the lock engages.



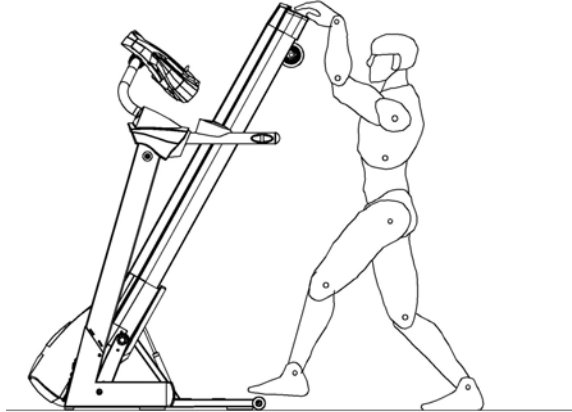
3. You will hear a "click" sound as the lock engages.

UNFOLDING INSTRUCTIONS

How to unfold the treadmill:

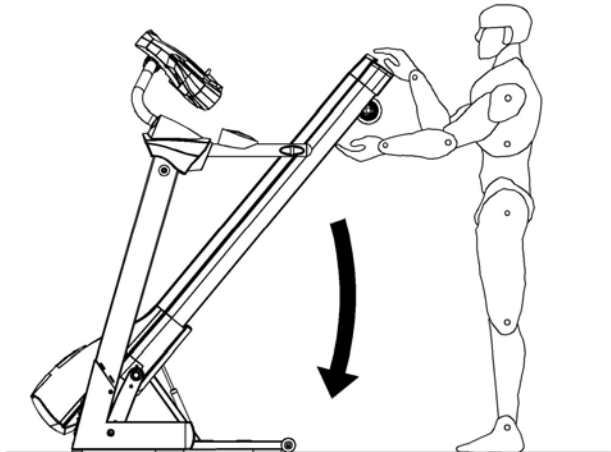
To unfold the treadmill for use follow the instructions here:

1. Begin by standing behind and supporting the deck with your hands. Next release the lock with your foot by stepping on the release lever. **TO PREVENT INJURY BE SURE YOU HAVE A FIRM HOLD ON THE DECK BEFORE RELEASING THE LOCK.**



1. Release the lock with your foot by stepping on the release lever.

2. Slowly lower the deck until it rests securely on the ground.

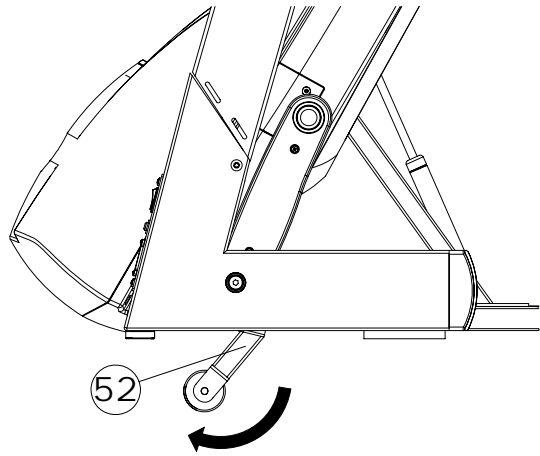


2. Lower the deck until it rests securely on the ground.

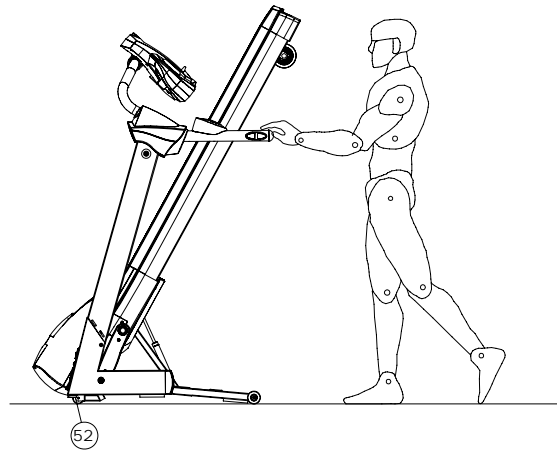
TRANSPORT INSTRUCTIONS

How to transport the treadmill:

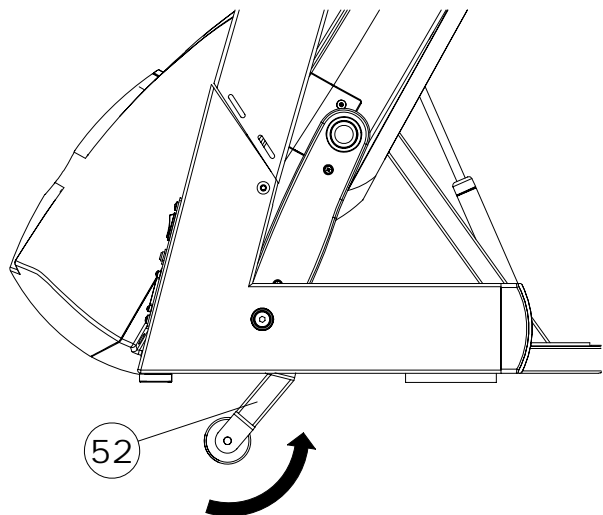
1. After folding the treadmill tilt it to one side (you may need the help of a friend), reach under the base frame and pull down the Caster Bracket (52). Repeat this procedure on the other side.



2. To roll away for storage simply grab the handlebars and push as shown.



3. After moving the treadmill to the desired location, make sure to put the Caster Bracket (52) back into base frame to stabilize the treadmill for use.



MAINTENANCE

HOW TO MAINTAIN YOUR TREADMILL:

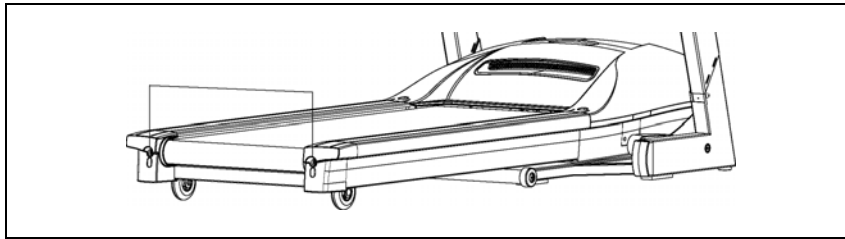
Proper maintenance is very important to ensure your treadmill is always in top working condition. Improper maintenance could cause damage or shorten the life of your treadmill.

- **Important:** Never use abrasives or solvents to clean the treadmill. To prevent damage to the computer, keep liquids away and keep it out of direct sunlight.
- Inspect and tighten all parts of the treadmill regularly. Replace any worn parts immediately.

BELT ADJUSTMENT:

The running belt has been properly adjusted at the factory. However transportation, uneven flooring or other unpredicted reasons could cause the belt to shift off center resulting in the belt rubbing with the plastic side rail or end caps and possibly causing damage. To adjust the belt back to it's proper position please follow the directions below:

1. If your belt tends to walk to the right, rotate the right tension bolt clockwise. We recommend adjustments of 1/4 turn at a time, and follow with a test. If your belt continues to walk to the right, simply adjust the left belt tension bolt by turning it 1/4 turn counterclockwise, and follow with a test.
2. If your belt tends to walk to the left, rotate the left tension bolt clockwise 1/4 turn at a time, and follow with a test. If the belt continues to walk to the left, simply adjust the right tension bolt counterclockwise.
3. If your belt appears to be loose, simply tighten both bolts evenly 1/4 turn. If it appears tight, simply loosen both bolts evenly 1/4 turn.



Right and left tension bolts are located at the rear of the treadmill.

DECK LUBRICATION:

The walking belt has been pre-lubricated at the factory. However, it is recommended that the walking board be checked periodically for lubrication to ensure optimal treadmill performance. Your treadmill should not have to be lubricated usually within the first year or 500 hours of use.

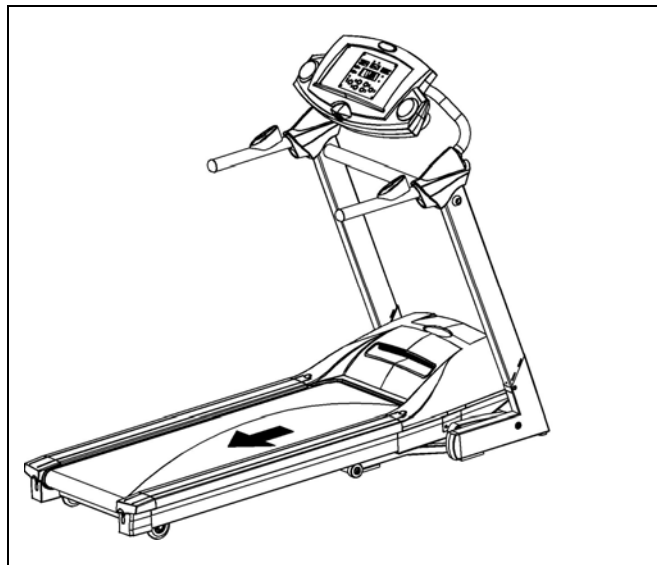
Every 3 months of operation lift the sides of the walking belt and feel the top surface of the walking board as far as you can reach. If you feel signs of silicone, no further lubrication is required. If it feels dry to the touch, follow the instructions below.

Please use a non-petroleum based silicone.

MAINTENANCE

To apply lubricant to the walking belt:

1. Position the walking belt so that the seam is located on top and in center of the walking board.
2. Insert the spray nozzle into the spray head of the lubricant can.
3. While lifting the side of the walking belt, position the spray nozzle between the walking belt and the board approximately 15 cm (6 inches) from the front of the treadmill. Apply the silicone spray to the walking board, moving from the front of the treadmill to the rear. Repeat this on the other side of the belt. Spray approximately 4 seconds on each side.
4. Allow the silicone to "set" for 1 minute before using the treadmill.



Spray lubricant from front to back.

CLEANING:

Routine cleaning of your treadmill will extend the product's life.

- **Warning:** To prevent electrical shock, be sure the power to the treadmill is OFF and the power cord is unplugged from the wall electrical outlet before attempting any cleaning or maintenance.
- **Important:** Never use abrasives or solvents to clean the treadmill. To prevent damage to the computer, keep liquids away and keep it out of direct sunlight.
- **After each workout:** Wipe off the console and other treadmill surfaces with a clean, water dampened soft cloth to remove excess perspiration.
- **Weekly:** Use of a treadmill mat is recommended for ease of cleaning. Dirt from your shoes contacts the belt and eventually makes it to underneath the treadmill. Vacuum underneath treadmill once a week.

WARRANTY

Warranty Coverage: Smooth Fitness, Inc. ("Smooth Fitness") warrants to the original purchaser that each new product to be free from defects in workmanship and material, under normal use and conditions.

Period of Coverage: The Warranty on this product runs from the date of your purchase for a period of LIFETIME on the frame, TEN (10) years on the motor, FIVE (5) years on the belt, deck and rollers, THREE (3) years on the electronics and ONE (1) year on in house labor. Smooth Fitness reserves the right to inspect damaged parts for misuse.

It is recommended that the Original Receipt be kept with the product manual.

Remedy Provided by Smooth Fitness: Smooth Fitness will provide a replacement part free of charge if a defect is found during the Warranty period. You must pay any charges for shipping and handling outside of the Continental United States and for labor. To obtain service call your local Smooth Retailer.

Any redemption may be by repair or replacement of the affected parts and/or product at the sole discretion of Smooth Fitness, by personnel approved by Smooth Fitness. If repairs are required, the unit will be repaired at the location of use or by return to the factory as deemed appropriate by Smooth Fitness.

Parts repaired or replaced pursuant to this Warranty shall be warranted for the unexpired portion of the Warranty applying to the original product. Any technical advice furnished before or after delivery in regard to the use or application of Smooth Fitness products is furnished without charge and on the basis that it represents Smooth Fitness' best judgment under the circumstances but that the advice is used at your sole risk.

Procedure for Obtaining Your Remedy Under This Warranty: To obtain service call your local Smooth Retailer. To help them assist you, please have the following information ready:

Model name or number from the cover of the manual;
Serial number located on the frame of the unit; and
The part description and the order number.

Limitations on Warranty: This Warranty will only apply to the original end user. This Warranty does not cover any problems, damages or failures that are caused by accident, improper assembly, failure to observe cautionary labels on the product, failure to operate the product correctly, abuse or freight damage. Smooth Fitness does not warrant against any damage or defects that may result from repair or alterations made to the product by an unauthorized repair facility.

This Warranty shall terminate if you sell or otherwise transfer this product. This Warranty does not apply to any product shipped or handled outside of the United States or Canada. This Warranty does not apply if the product is used for rental or commercial use. Consequential and incidental damages are not recoverable under this Warranty. (Some states do not allow the exclusion or limitation of incidental or consequential damages, so the above limitation or exclusion may not apply to you.)

THIS WARRANTY IS EXPRESSLY IN LIEU OF ALL OTHER EXPRESS WARRANTIES. ALL IMPLIED WARRANTIES, INCLUDING WARRANTIES OF MERCHANTABILITY OR FITNESS FOR ANY PARTICULAR PURPOSE, ARE LIMITED IN DURATION TO ONE (1) YEAR FROM THE EFFECTIVE DATE OF THIS WARRANTY. SMOOTH FITNESS IS NOT LIABLE FOR CONSEQUENTIAL OR INCIDENTAL DAMAGES RESULTING FROM ANY DEFECT IN PARTS NOR FOR ANY BREACH OF EXPRESS OR IMPLIED WARRANTIES. SMOOTH FITNESS' SOLE LIABILITY UNDER THIS WARRANTY IS LIMITED TO THE TERMS DESCRIBED IN THIS FORM. THIS WARRANTY GIVES YOU SPECIFIC LEGAL RIGHTS, AND YOU MAY ALSO HAVE OTHER RIGHTS WHICH VARY FROM STATE TO STATE.

For assistance with assembly or to order replacement parts, simply call your local Smooth Retailer. To help them assist you, please have the following information ready:

Model name or number from the cover of the manual;
Serial number located on the frame of the unit; and
The part description and order number.

IMPORTANT STEPS

Warning:

Before using this product, please consult your personal physician for a complete physical examination. Frequent and strenuous exercise should be approved by your doctor first. If any discomfort should result from your use of this product, stop exercising and consult your doctor. Proper usage of this product is essential. Please read your manual carefully before exercising.

Please keep all children away from the equipment during use and when equipment is unattended.

Always wear appropriate clothing, including athletic shoes, when exercising. Do not wear loose clothing that could become caught during exercising.

Make sure that all bolts and nuts are tightened when equipment is in use. Periodic maintenance is required on all exercise equipment to keep it in good condition.

Before beginning:

How you begin your exercise program depends on your physical condition. If you have been inactive for several years, or are severely overweight, you must start slowly and increase your time gradually, a few minutes per week.

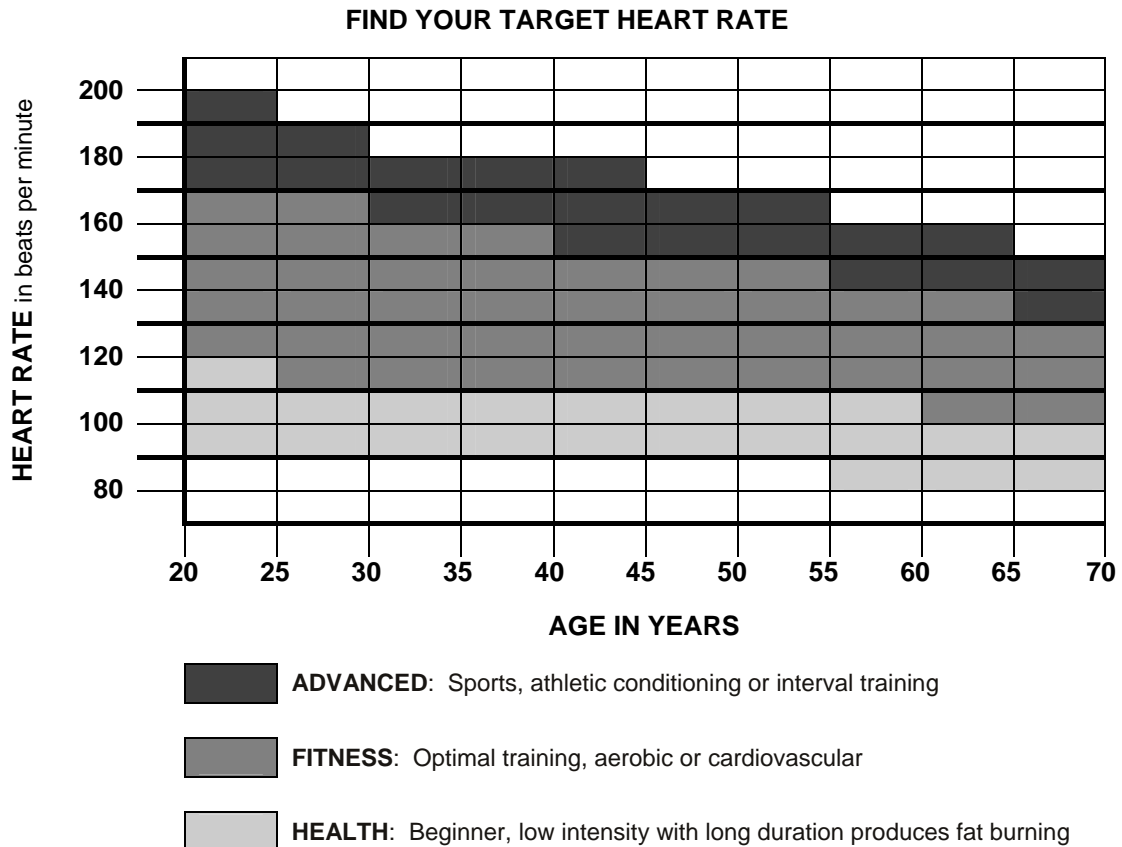
Initially you may be able to exercise only for a few minutes in your target heart rate zone. However, your aerobic fitness will improve over the next six to eight weeks. Don't be discouraged if it takes longer. It's important to work at your own pace. Ultimately, you'll be able to exercise continuously for 30 minutes. And the better your aerobic fitness, the harder you will have to work to stay in your target heart rate zone. But remember these essentials:

- Contact your physician before starting a workout or training program. Have your doctor review your training and diet programs to advise you of a workout routine you should adopt.
- Begin your training program slowly with realistic goals that have been set by you and your doctor.
- Supplement your program with some type of aerobic exercise such as walking, jogging, swimming, dancing and/or bicycling. Monitor your pulse frequently. If you do not have an electronic heart rate monitor, have your physician show you the proper way to manually check your pulse by using your wrist or neck. Establish your target heart rate based on your age and condition.
- Drink plenty of fluids during the course of your routine. You must replace the water content lost from excessive exercising to avoid dehydration. Avoid drinking large amounts of cold liquids. Fluids should be at room temperature when consumed.

TARGET HEART RATE**Finding your pulse:**

To make sure your heart is beating in its target zone, you'll need to know how to monitor your heart rate. The easiest way is to feel the pulse in the carotid artery on either side of your neck, between the windpipe and the large neck muscles. Count the number of beats in ten seconds, and then multiply that number by six. This gives you the number of beats per minute.

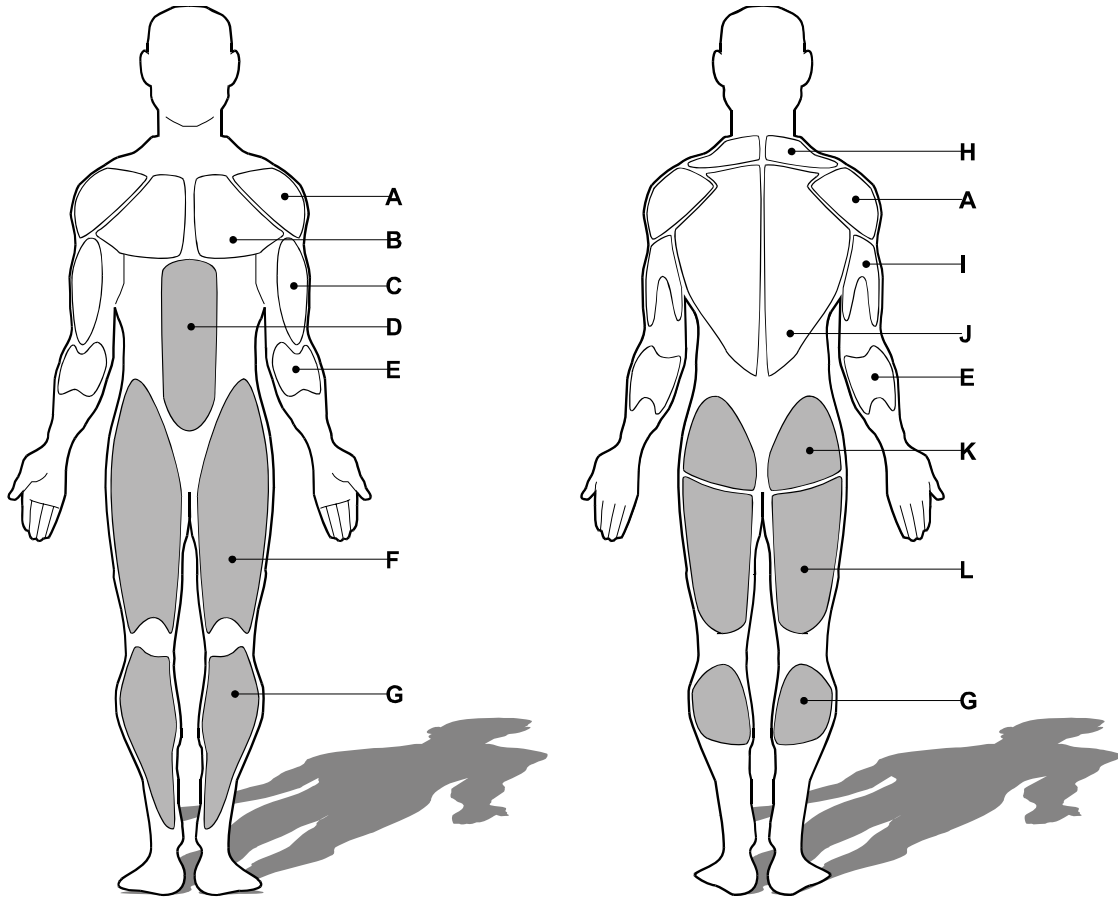
How fast should your heart beat during aerobic exercise? Fast enough to reach and stay in its "target zone," a range of beats per minute that is largely determined by your age and physical condition. To determine your target zone, consult the chart we have provided.

**Aerobic exercise:**

Is any sustained activity that sends oxygen to your muscles via your heart and lungs. It will improve the fitness of your lungs and heart: your body's most important muscle. Aerobic fitness is promoted by any activity that uses your large muscle groups - arms, legs or buttocks, for example. Your heart beats quickly and you breathe deeply. An aerobic exercise should be part of your entire exercise routine.

MUSCLE CHART**Targeted muscle groups:**

The exercise routine that is performed on this product will develop primarily lower body muscle groups. These muscle groups are shown in gray color on the chart below.



Shoulder muscles	<input type="checkbox"/> A	<input type="checkbox"/> B	Pectoral muscles
Bicep muscle	<input type="checkbox"/> C	<input type="checkbox"/> D	Abdominal muscles
Forearm muscles	<input type="checkbox"/> E	<input type="checkbox"/> F	Quadricep muscles
Calf muscles	<input type="checkbox"/> G	<input type="checkbox"/> H	Trapezius muscles
Tricep muscles	<input type="checkbox"/> I	<input type="checkbox"/> J	Back muscles
Gluteal muscles	<input type="checkbox"/> K	<input type="checkbox"/> L	Hamstring muscles

STRETCHING ROUTINE

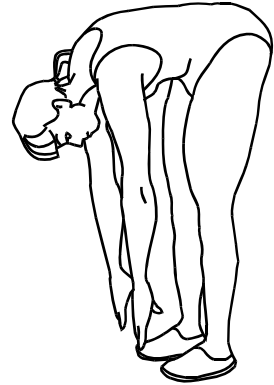
Warm up and cool down:

A successful exercise program consists of a warm-up, aerobic exercise, and a cool-down. Do the entire program at least two or three times a week, resting for a day between workouts. After several months, you can increase your workouts to four or five times per week.

Warming up is an important part of your workout, and should begin every session. It prepares your body for more strenuous exercise by heating up and stretching out your muscles, increasing your circulation and pulse rate, and delivering more oxygen to your muscles. At the end of your workout, repeat these exercises to reduce sore muscle problems. We suggest the warm-up and cool-down exercises on the following pages:

Toe Touch:

Slowly bend forward from your waist, letting your back and shoulders relax as you stretch toward your toes. Reach down as far as you can and hold for 15 counts.



Shoulder Lift:

Lift your right shoulder up toward your ear for one count. Then lift your left shoulder up for one count as you lower your right shoulder.



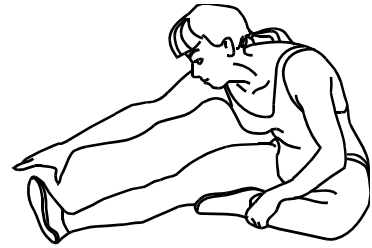
Head Roll:

Rotate your head to the right for one count, feeling the stretch up the left side of your neck. Next, rotate your head back for one count, stretching your chin to the ceiling and letting your mouth open. Rotate your head to the left for one count, and finally, drop your head to your chest for one count.



STRETCHING ROUTINE**Hamstring Stretch:**

Sit with your right leg extended. Rest the sole of your left foot against your right inner thigh. Stretch toward your toe as far as possible. Hold for 15 counts. Relax and then repeat with left leg extended.

**Inner Thigh Stretch:**

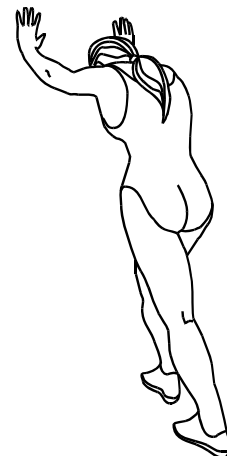
Sit with the soles of your feet together with your knees pointing outward. Pull your feet as close into your groin as possible. Gently push your knees towards the floor. Hold for 15 counts.

**Side Stretch:**

Open your arms to the side and continue lifting them until they are over your head. Reach your right arm as far upward toward the ceiling as you can for one count. Feel the stretch up your right side. Repeat this action with your left arm.

**Calf-Achilles Stretch:**

Lean against a wall with your left leg in front of the right and your arms forward. Keep your right leg straight and the left foot on the floor; then bend the left leg and lean forward by moving your hips toward the wall. Hold, and then repeat on the other side for 15 counts.





Smooth Fitness
112 Gaither Drive
Mt. Laurel, NJ 08054

Toll Free Customer Service:
1.888.800.1167

Website:
www.evofitness.com

