



Ergotron® CRT Monitor Arm Mounting Solutions

Ergonomic solutions for any area of your facility



Ergotron is a registered trademark of Ergotron, Inc.
Reproduction of this material in whole or in part for any purpose
other than that authorized by Ergotron, Inc. is prohibited.

© 2004 Ergotron, Inc. All rights reserved.

Orderguide

CRT Monitor Arm Mounting Solutions

Table of Contents

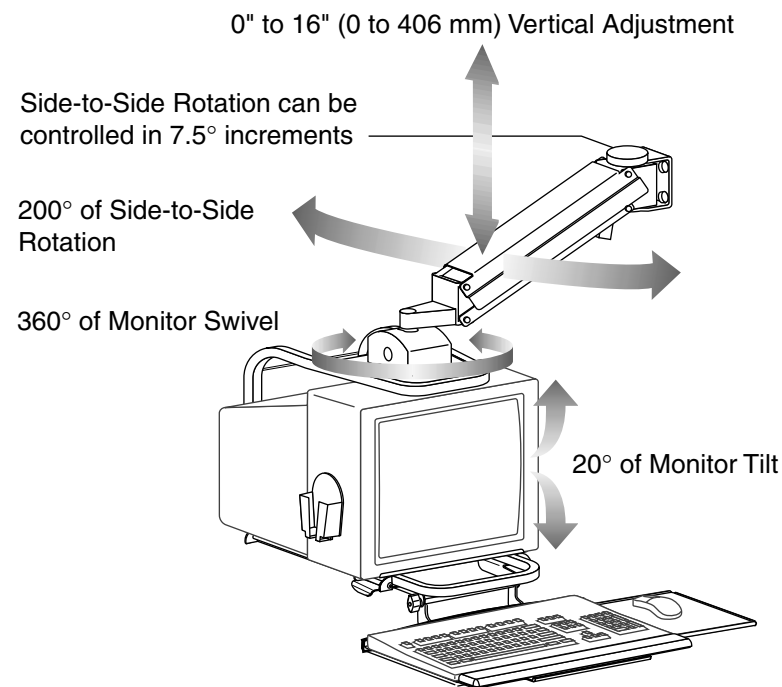
Introduction	4
Product Line Overview	5
Sample Configurations	6
Monitor Arms	8
Fixed Arms	8
6" Suspension Arms	8
10" Lift Arms	9
12" Suspension Arms	9
16" Suspension and Lift Arms	10
N12 Arm for NEMA Environments	11
Extender Arms	11
Arm Components	12
Monitor Caddies	12
Monitor Platforms	12
Rotation Control Kit	12
Mounting Systems	13
Command Posts	13
Wall Tracks	16
Wall Bracket	17
Desk Mounts	17
Keyboard Solutions	18
Keyboard Holders, Trays and Arms	18
Peripherals and Accessories	19
CPU Holders, Shelves and Cabinets	19
Peripheral Table	20
Security Straps	20
Footrests	21
Cable Management	21
Power Strips	21
Appendix	22
Weight Capacity	22
Hole Patterns	23
Computer Carts	24
Other Keyboard/Laptop Mounts	25
Ergonomics Data	26

Introduction

CRT Monitor Arms have the ability to swing, rotate, tilt and lift monitors up to 100 lbs (45.4 kg). These arms offer a wide range of vertical adjustment and horizontal extension capabilities, thus accommodating individual user heights and positioning needs.

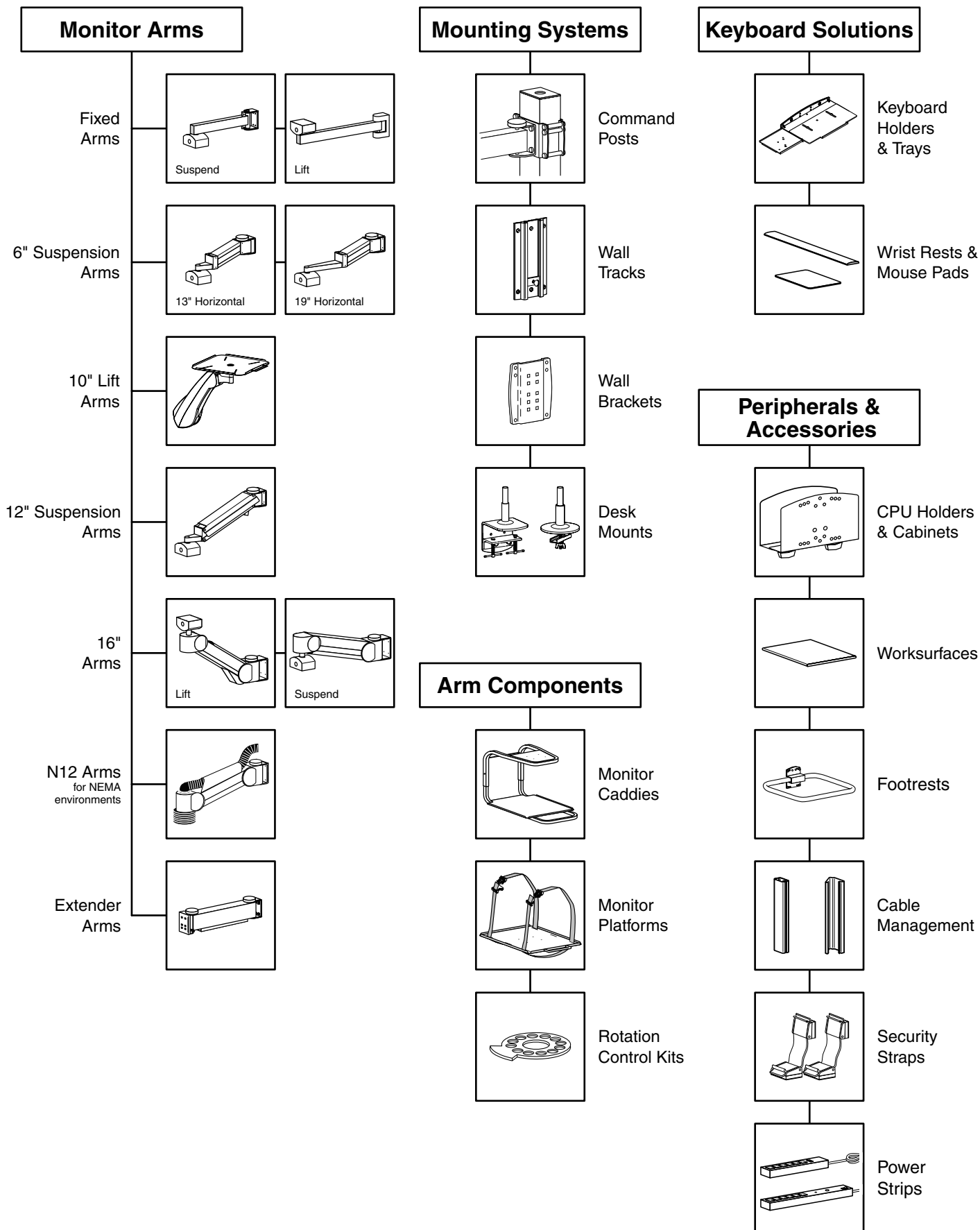
Ergotron's Monitor Arms and Mounting Systems allow installation of a complete computer workstation in tight and congested areas while occupying little or no floor space. Several options are available. Mount your system to a floor, ceiling, wall, machine, workbench, or desktop using Command Posts, Wall Tracks, Wall Brackets or Desk Mounts. A full range of accessories are available to configure a fully-functional system that meets your specific needs.

Example of Monitor Arm Capabilities



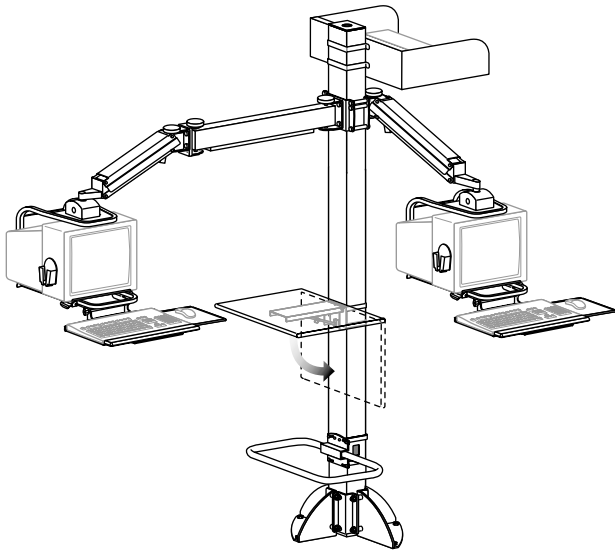
Note: Ergotron also offers a wide variety of mounting systems specially designed for flat panel monitors. For more information, see our Flat Panel Mounting Solutions Orderguide, #870-03-005 on our website, www.ergotron.com.

Product Line Overview



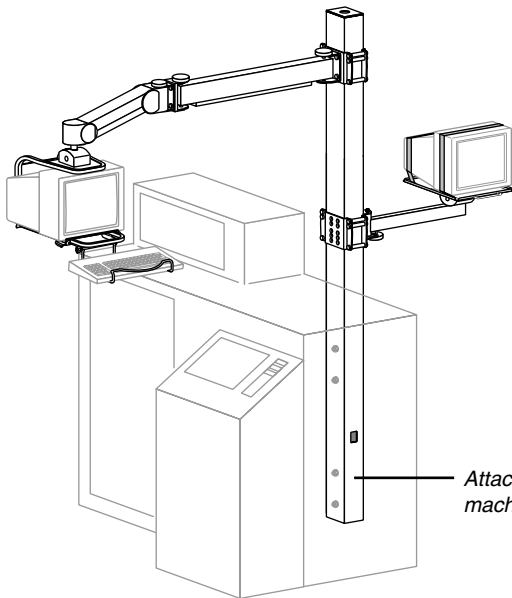
Sample Configurations

Configure your own customized solutions with Ergotron's modular components. Here are some examples of common configurations.



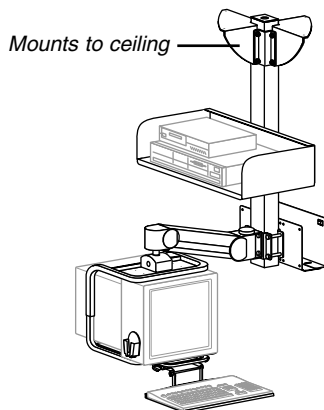
Configuration A

20-078-000	Command Post, 4" x 4" x 96" Post
60-138-000	Base for 4" x 4" Post
60-155-000	Bracket for Arm to 4" x 4" Post
97-095-099	Second Component Fastener Kit
44-316-000	30" Extender Arm
44-308-000	12" Suspension Arm (2)
40-004-000	Monitor Caddy, Type 3 (2)
75-055-009	Adjustable Keyboard Tray Holder (2)
77-050-000	Keyboard Tray w/ Sliding Mouse Tray (2)
85-033-000	Wrist Rest (2)
99-033-078	Mouse Pouch (2)
85-025-079	Mouse Pad (2)
80-061-000	Large Horizontal CPU Holder
60-159-000	Bracket for Peripheral to 4" x 4" Post
55-035-999	Peripheral Table
65-048-000	Fold-Away Underbracing for Peripheral Table
60-159-000	Bracket for Peripheral to 4" x 4" Post
85-023-000	Footrest
60-159-000	Bracket for Peripheral to 4" x 4" Post



Configuration B

20-078-000	Command Post, 4" x 4" x 96" Post
60-155-000	Bracket for Arm to 4" x 4" Post (2)
44-316-000	30" Extender Arm
44-309-000	16" Suspension Arm
40-043-000	Monitor Caddy, Type 3T
44-311-000	20" Fixed Arm without shroud
33-059-000	Monitor Platform
75-053-009	Adjustable Keyboard Holder

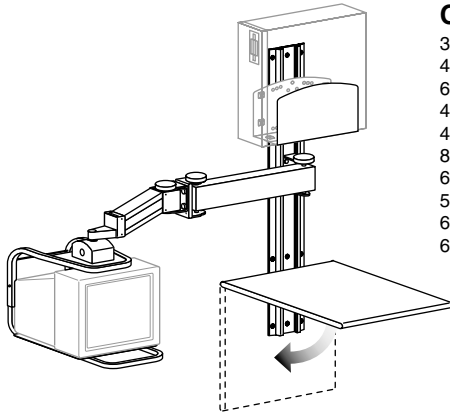


Configuration C

20-075-000	Command Post, 3" x 3" x 48" Post
60-360-000	Base for 3" x 3" Post
60-154-000	Bracket for Arm to 3" x 3" Post
44-309-000	16" Suspension Arm
80-058-000	Medium Vertical CPU Holder
97-097-099	Second Component Fastener Kit
80-060-000	Medium Horizontal CPU Holder
60-158-000	Bracket for Peripheral to 3" x 3" Post
40-043-000	Monitor Caddy, Type 3T
75-055-009	Adjustable Keyboard Tray Holder
77-049-000	Keyboard Tray

Sample Configurations

Configure your own customized solutions with Ergotron's modular components. Here are some examples of common configurations.

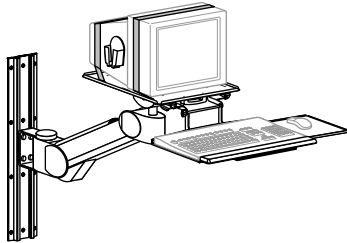
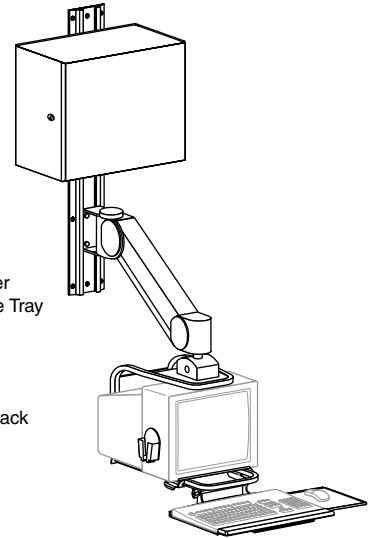


Configuration D

- 31-018-182 Wall Track, 34"L
- 44-314-000 18" Extender Arm
- 60-188-099 Bracket for Arm to Wall Track
- 44-303-000 6" x 13" "B" Suspension Arm
- 40-004-000 Monitor Caddy, Type 3
- 80-058-000 Medium Vertical CPU Holder
- 60-156 Bracket for Peripheral to Wall Track
- 55-035-999 Peripheral Table
- 65-048-000 Fold-Away Underbracing for Peripheral Table
- 60-156 Bracket for Peripheral to Wall Track

Configuration E

- 31-018-182 Wall Track, 34"L
- 44-309-000 16" Suspension Arm
- 60-151-099 Bracket for Arm to Wall Track
- 40-004-000 Monitor Caddy, Type 3
- 75-055-009 Adjustable Keyboard Tray Holder
- 77-050-000 Keyboard Tray w/ Sliding Mouse Tray
- 85-010-087 Wrist Rest
- 99-033-078 Mouse Pouch
- 85-025-079 Mouse Pad
- 80-062-000 CPU Cabinet
- 60-156 Bracket for Peripheral to Wall Track

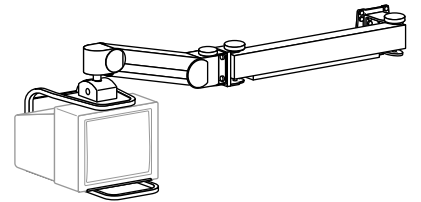


Configuration F

- 31-017-182 Wall Track, 26"L
- 44-307-000 16" Lift Arm
- 60-151-099 Bracket for Arm to Wall Track
- 33-004-000 Monitor Platform for 16" Lift Arm
- 75-055-009 Adjustable Keyboard Tray Holder
- 77-050-000 Keyboard Tray w/ Sliding Mouse Tray
- 85-010-087 Wrist Rest
- 99-033-078 Mouse Pouch
- 85-025-079 Mouse Pad

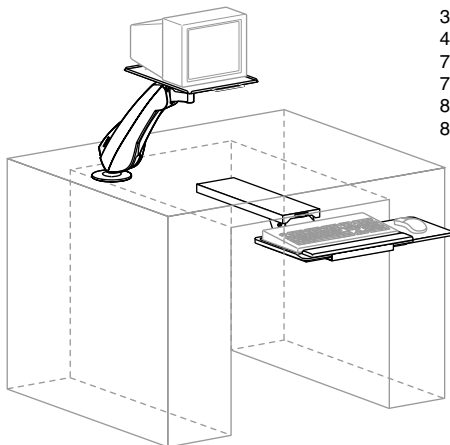
Configuration G

- 60-152-000 Wall Mounting Bracket
- 44-316-000 30" Extender Arm
- 44-309-000 16" Suspension Arm
- 40-004-000 Monitor Caddy, Type 3



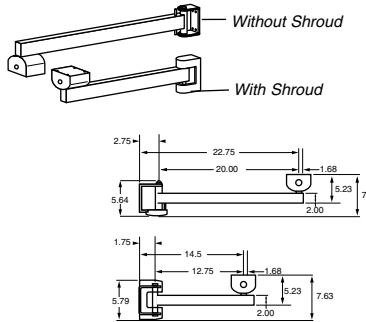
Configuration H

- 33-269-000 Grommet Mount
- 44-343-000 10" Lift Arm
- 75-038 Articulating Keyboard Arm
- 77-026-098 Keyboard Tray w/ Sliding Mouse Tray
- 85-008-098 Wrist Rest for Articulating Arm
- 85-025-079 Mouse Pad



Monitor Arms

Fixed Arms

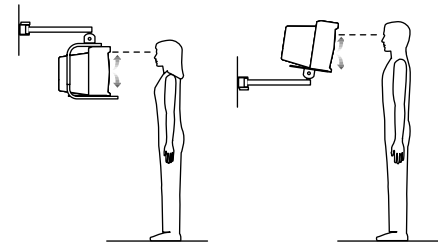


Fixed Arms swing, and rotate monitors to the point of need. Their tilt control extends a monitor's vertical viewing range. These arms can be used with a Monitor Caddy in a suspend mode, or turned over and used with a Monitor Platform in a platform mode.

Part Number	Description	Horizontal Length (pivot point to pivot point)	Weight Capacity
44-311-000	20" Fixed Arm without Shroud	20" (508 mm)	100 lbs (45.4 kg)
44-312-000	13" Fixed Arm without Shroud	12-3/4" (324 mm)	100 lbs (45.4 kg)
44-313-000	20" Fixed Arm with Shroud	20" (508 mm)	100 lbs (45.4 kg)

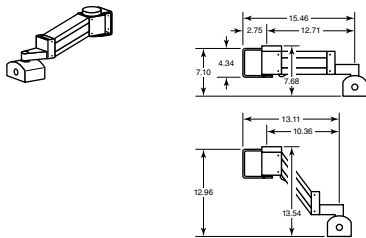
Side-to-Side Range: 200°
Monitor Tilt Adjustment: 20°
Monitor Swivel Adjustment: 360°

Arm Components:	Mounting Systems:
Monitor Caddies12	Command Post13
Monitor Platforms . . .12	Wall Track16
Rotation Control Kit . .12	Wall Bracket17

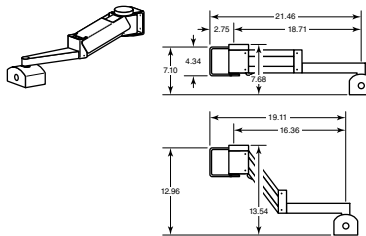


6" Suspension Arms

6" x 13" Suspension Arms



6" x 19" Suspension Arms

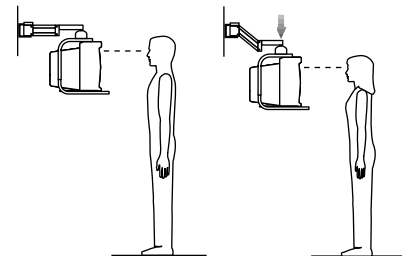


The 6-inch (152 mm) vertical range accommodates average male to female user heights (in either standing or sitting positions). Extend your monitor out up to 13 inches or 19 inches. Swing, tilt, raise or rotate your monitor.

Part Number	Description	Horizontal Length (pivot point to pivot point)	Weight Capacity
44-302-000	6" x 13" "A" Suspension Arm	12-3/4" (324 mm)	15-35 lbs (6.8-15.9 kg)
44-303-000	6" x 13" "B" Suspension Arm	12-3/4" (324 mm)	35-65 lbs (15.9-29.5 kg)
44-304-000	6" x 19" "A" Suspension Arm	18-3/4" (476 mm)	15-35 lbs (6.8-15.9 kg)
44-305-000	6" x 19" "B" Suspension Arm	18-3/4" (476 mm)	35-65 lbs (15.9-29.5 kg)
44-306-000	6" x 19" "C" Suspension Arm	18-3/4" (476 mm)	65-100 lbs (29.5-45.4 kg)

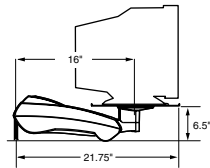
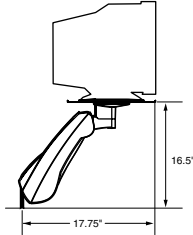
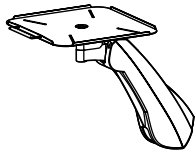
Side-to-Side Range: 200°
Vertical Adjustment Range: 6" (152 mm)
Monitor Tilt Adjustment: 20°
Monitor Swivel Adjustment: 360°

Arm Components:	Mounting Systems:
Monitor Caddies12	Command Post13
Rotation Control Kit . .12	Wall Track16
	Wall Bracket17



Monitor Arms

10" Lift Arm



This versatile arm offers lift, swing and rotate capabilities. It adjusts 10 inches (254 mm) vertically. Includes Monitor Platform and Quick-Release Tabs to secure the monitor in place. Mount to vertical surfaces or to horizontal surfaces. If mounting to a horizontal surface, choose the Desk Clamp, which attaches to an edge up to 3" (76 mm) thick, or the Grommet Mount, which attaches through a hole 3/8" to 3" (10 to 76 mm) wide and up to 4" (102 mm) thick.

Part Number	Description	Horizontal Length (pivot point to pivot point)	Weight Capacity
44-343-000	10" Lift Arm	16" (406 mm)	20-60 lbs (9.1-27.2 kg)
60-257-000	Desk Clamp		
33-269-000	Grommet Mount		
60-378-000	Vertical Mount (see figure below)		

Note: If mounting to a vertical surface, Vertical Mount required. If mounting to horizontal surface, Desk Clamp or Grommet Mount required. Order separately.

Side-to-Side Range: 360°
Vertical Adjustment Range: 10" (254 mm)
Monitor Swivel Adjustment: 360°



Arm Components:	Mounting Systems:
Monitor Platform included with Arm	Command Post13
	Wall Track16
	Wall Bracket17
	Desk Mounts17

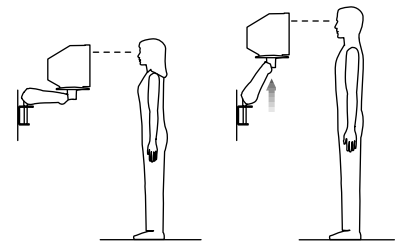
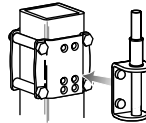
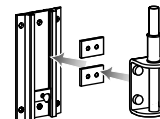


Figure: Vertical Mount Attachment for 10" Lift Arms

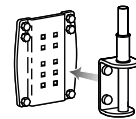
Use Vertical Mount #60-378-000 in tandem with Mounting Systems.



Command Post

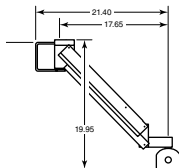
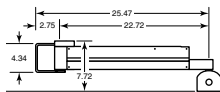
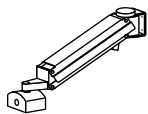


Wall Track



Wall Bracket

12" Suspension Arm

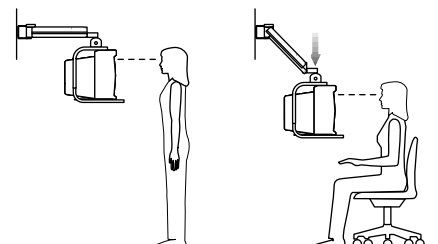


Twelve inches (305 mm) of vertical adjustment provides limited sit-to-stand user adjustability. Extend a monitor out up to 22 inches (559 mm). Raise, swing, tilt and rotate your monitor.

Part Number	Description	Horizontal Length (pivot point to pivot point)	Weight Capacity
44-308-000	12" Suspension Arm without Shroud	22-3/4" (578 mm)	25-100 lbs (11.4-45.4 kg)

Side-to-Side Range: 200°
Vertical Adjustment Range: 12" (305 mm)
Monitor Tilt Adjustment: 20°
Monitor Swivel Adjustment: 360°

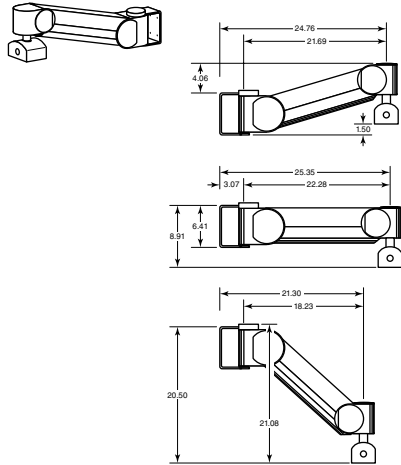
Arm Components:	Mounting Systems:
Monitor Caddies12	Command Post13
Rotation Control Kit . .12	Wall Track16
	Wall Bracket17



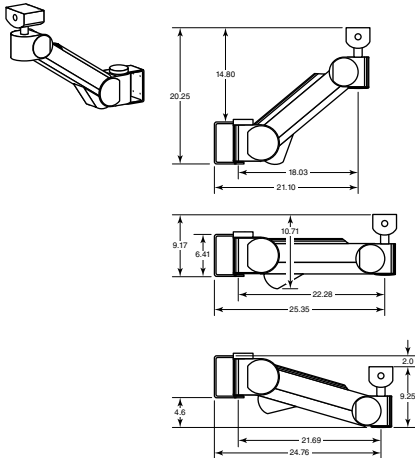
Monitor Arms

16" Suspension and Lift Arms

16" Suspension Arm



16" Lift Arm



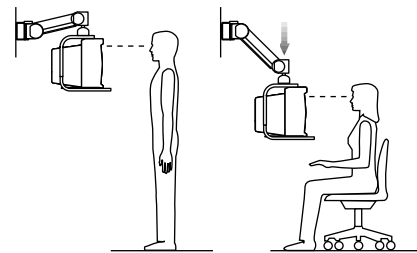
Sixteen inches (406 mm) of vertical movement provides true ergonomic adjustability in sitting or standing applications. It even accommodates the average sit-to-stand height-range. This arm features clean styling and built-in cable management. It's available as a suspension arm (use with Caddy) or a lift arm (use with Platform). Raise, swing, tilt or rotate your monitor.

Part Number	Description	Horizontal Length (pivot point to pivot point)	Weight Capacity
44-309-000	16" Suspension Arm without Shroud	22-1/4" (565 mm)	25-100 lbs (11.4-45.4 kg)
44-307-000	16" Lift Arm	22-1/4" (565 mm)	25-100 lbs (11.4-45.4 kg)

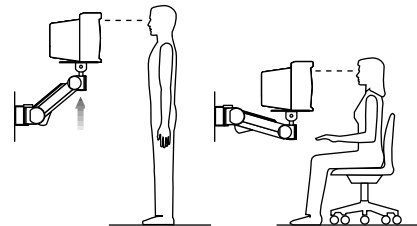
Side-to-Side Range: 200°
Vertical Adjustment Range: 16" (406 mm)
Monitor Tilt Adjustment: 20°
Monitor Swivel Adjustment: 360°

Arm Components:	Mounting Systems:
Monitor Caddies12	Command Post13
Monitor Platforms . . .12	Wall Track16
Rotation Control Kit . .12	Wall Bracket17

16" Suspension Arm

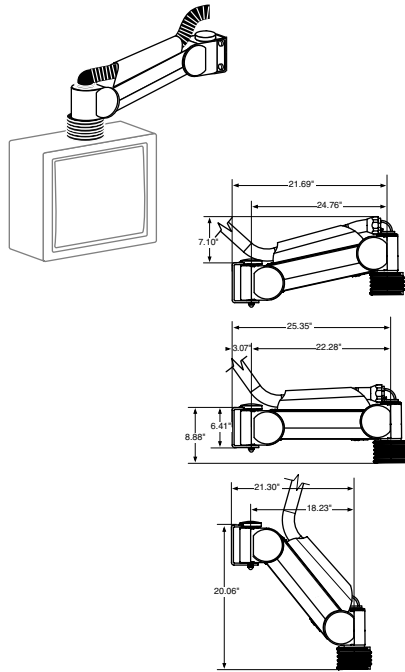


16" Lift Arm



Monitor Arms

N12 Arm for NEMA Environments



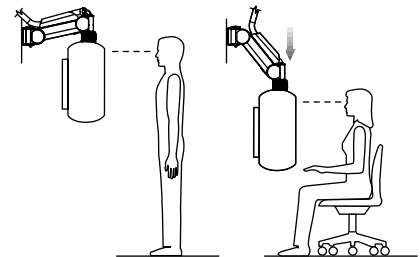
The N12 Suspension Arm meets UL requirements for the NEMA standard, allowing you to mount enclosures in NEMA 12 environments. Features include 16 inches (406 mm) of vertical adjustment and hassle-free cable management. An integrated quick-connect tube offers an industry proven universal connection interface while allowing continuous isolation of cables.

Part Number	Description	Horizontal Length (pivot point to pivot point)	Weight Capacity
44-360-000	N12 Suspension Arm for NEMA environments	22-1/4" (565 mm)	25-100 lbs (11.4-45.4 kg)
97-179-098	Cable Routing Tube for N12 Suspension Arm, 1 foot (305 mm), black, (order in 1-foot increments, minimum 5 feet)		

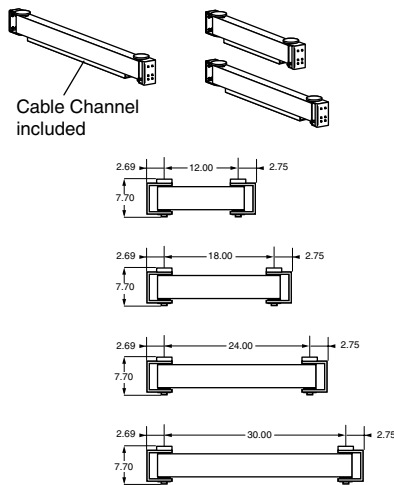
Note: Monitor enclosure not included with N12 Suspension Arm.
Note: Cable Routing Tube for N12 Suspension Arm ordered separately.

Side-to-Side Range: 200°
Vertical Adjustment Range: 16" (406 mm)
Monitor Tilt Adjustment: 20°
Monitor Swivel Adjustment: 360°

Arm Components:	Mounting Systems:
Rotation Control Kit . . .12	Command Post13
Compatible with 3rd-party monitor enclosures	Wall Track16
	Wall Bracket17



Extender Arms



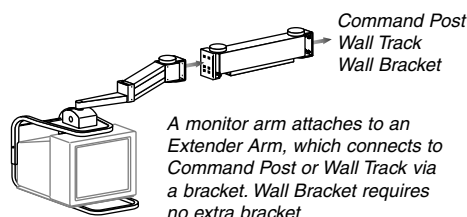
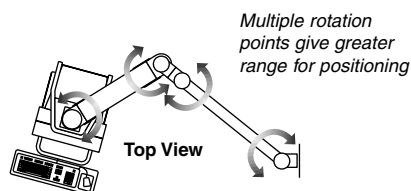
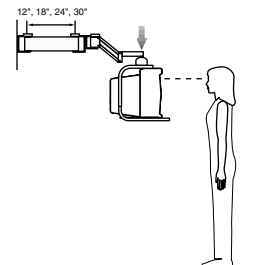
Extender Arms can be used in conjunction with all vertical-mount monitor arms, providing additional placement capabilities. Dual arm adjustability allows monitor positioning at multiple points of use.

Part Number	Description	Horizontal Length (pivot point to pivot point)	Weight Capacity
44-362-000	12" Extender Arm	12" (305 mm)	see table on pg. 22
44-314-000	18" Extender Arm	18" (457 mm)	see table on pg. 22
44-315-000	24" Extender Arm	24" (610 mm)	see table on pg. 22
44-316-000	30" Extender Arm	30" (762 mm)	see table on pg. 22

Note: When mounting to Command Post, use with 4" x 4" Post only.
Note: Refer to page 22 for detailed information regarding weight capacities.

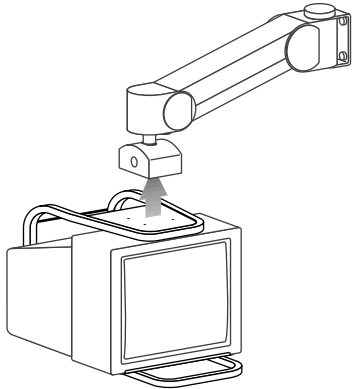
Side-to-Side Range: 200°

Arm Components:	Mounting Systems:
Rotation Control Kit . . .12	Command Post13
	Wall Track16
	Wall Bracket17



Arm Components

Monitor Caddies



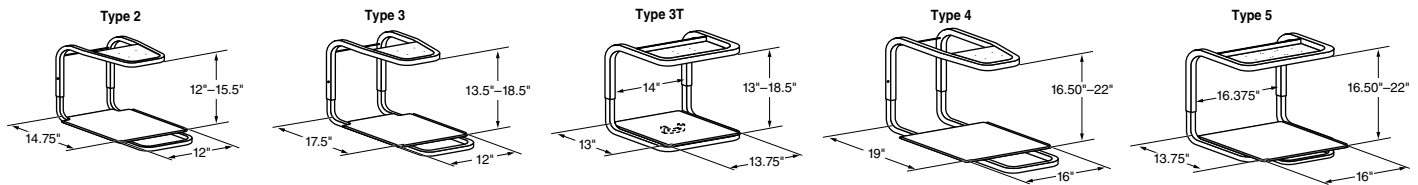
Monitor Caddies are used in conjunction with Suspension and Fixed Arms. A monitor is securely cradled within the Caddy. Choose a Caddy appropriate to your monitor's size. The Caddy's telescoping frame further adjusts to an individual monitor's height.

Part Number	Description	Height Adjustment	Monitor Depth*	Monitor Width*	Weight Capacity*
40-002-000	Type 2 Monitor Caddy	12"-15-1/2" (305-394 mm)	16-1/2" (419 mm)	—	40 lbs (18.2 kg)
40-004-000	Type 3 Monitor Caddy	13-1/2"-18-1/2" (343-470 mm)	19" (483 mm)	—	65 lbs (29.5 kg)
40-043-000	Type 3T Monitor Caddy	13"-18-1/2" (330-470 mm)	—	13-7/8"*** (352 mm)	70 lbs (31.8 kg)
40-008-000	Type 4 Monitor Caddy	16-1/2"-22" (419-559 mm)	22" (559 mm)	—	70 lbs (31.8 kg)
40-013-000	Type 5 Monitor Caddy	16-1/2"-22" (419-559 mm)	—	16-1/4"**** (413 mm)	120 lbs (54.5 kg)

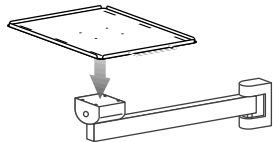
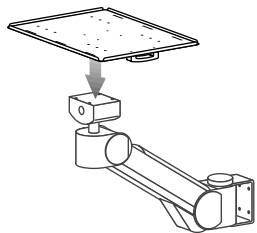
* Monitor depth, width and weight specifications are listed as maximum measurements.

** For wide-backed monitors; maximum rear monitor width is 13-7/8" (352 mm), measured 13" (330 mm) from front of monitor.

*** For wide-backed monitors; maximum rear monitor width is 16-1/4" (413 mm), measured 15" (381 mm) from front of monitor.



Monitor Platforms

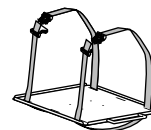


Monitor Platforms are used with 16" Lift and Fixed Arms. Straps are included to secure the monitor in place—order polyurethane for easy cleaning. Part number 33-004-000 features a bottom-mounted handle that is specially suited to the 16" Lift Arm.

Part Number	Description	Dimensions
33-004-000	Platform w/ polyurethane straps for 16" Lift Arm	14" x 14" (356 x 356 mm)
33-056-000	Platform w/ polyurethane straps for Fixed Arms	14" x 14" (356 x 356 mm)
33-059-000	Platform w/ nylon straps for Fixed Arms	14" x 14" (356 x 356 mm)

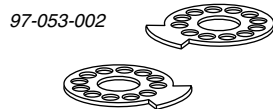


33-004-000 Platform for Lift Arm (includes bottom handle)



33-056-000 Platform for Fixed Arms (includes front handle)

Rotation Control Kit

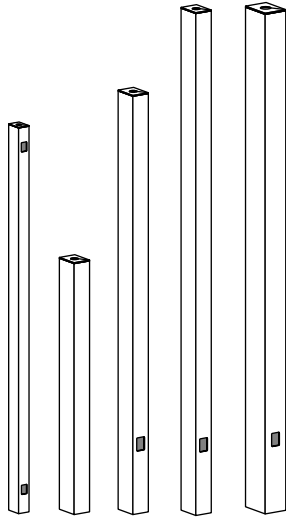


The optional Rotation Control Kit limits the rotation of a monitor arm. This allows the setting of a specific rotation range according to your application. Rotation in both directions is set in 7.5° increments using a standard 5/32" Allen wrench.

Part Number	Description	Adjustment Increments
97-053-002	Arm Rotation Control Kit	7.5° increments

Mounting Systems

Command Posts



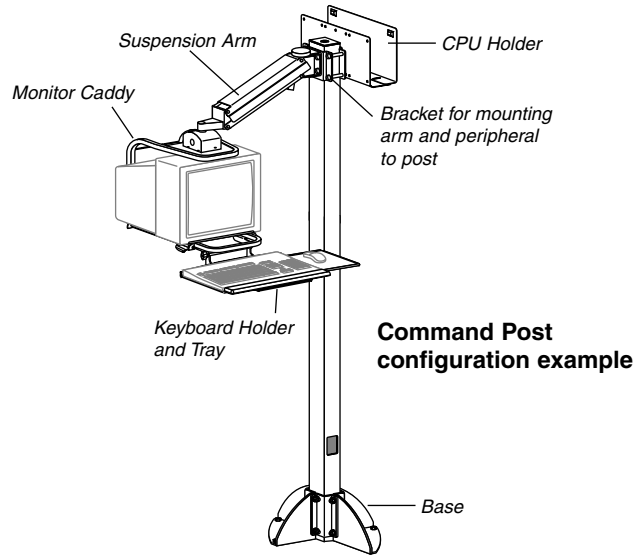
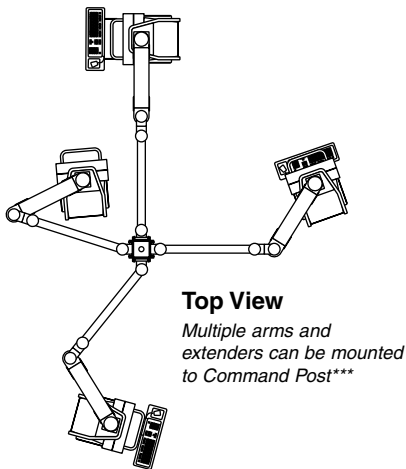
The Command Post uses little or no floor space. Attach to the floor, suspend from the ceiling, or clamp to a machine or workbench (choose appropriate mounting hardware from the table below). It provides one standard interface that will mount multiple components. Choose a length of post that accommodates your monitor requirements and the size/number of components you wish to mount. Brackets are required to mount arms and peripherals to post unless noted otherwise (pgs. 14 & 15).

Part Number	Description	Dimensions H x W x D
20-143-000*	Post, 2" x 2" x 74" 11-gauge steel wall	74" x 2" x 2" (1880 x 51 x 51 mm)
20-075-000	Post, 3" x 3" x 48" 11-gauge steel wall	48" x 3" x 3" (1219 x 76 x 76 mm)
20-076-000	Post, 3" x 3" x 80" 11-gauge steel wall	80" x 3" x 3" (2032 x 76 x 76 mm)
20-077-000	Post, 3" x 3" x 96" 11-gauge steel wall	96" x 3" x 3" (2438 x 76 x 76 mm)
20-078-000**	Post, 4" x 4" x 96" 3/16-gauge steel wall	96" x 4" x 4" (2438 x 102 x 102 mm)

Note: Posts have cable routing access holes to allow cables to pass through them.

Note: Other post lengths can be ordered on a custom basis. Contact your sales representative for more information.

Note: See Mounting Options and Uses Table below to determine which post, base/mounting kit and arm(s) to choose.



Command Post Mounting Options Table

Post P/N	H x W x D	Base / Mounting Kit (page 14)	Floor / Ceiling Mount	Machine / Bench Mount
20-143-000	74" x 2" x 2"	97-012-000	Not recommended*	Arm w/out Ext
20-075-000	48" x 3" x 3"	60-360-000 or 97-011-000	Arm w/out Ext	Arm w/out Ext
20-076-000	80" x 3" x 3"	60-360-000 or 97-011-000	Arm w/out Ext	Arm w/out Ext
20-077-000	96" x 3" x 3"	60-360-000 or 97-011-000	Arm w/out Ext	Arm w/out Ext
20-078-000**	96" x 4" x 4"	60-138-000**	Arm(s) with Ext(s)	Arm(s) with Ext(s)***

Arm = Suspension, Lift or Fixed Arm for CRT monitor (pages 8–11)

Ext = Extender Arm (page 11)

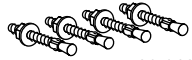
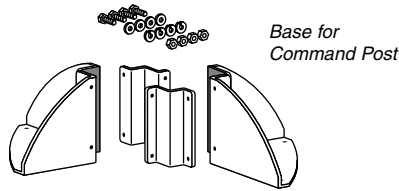
* The 2" x 2" Post should not be mounted to floor or ceiling in applications using CRT Monitor Arms.

** When mounting 4" x 4" Post to machine or bench, fasteners to be supplied by customer.

*** 4" x 4" Post should be employed in applications using Extender Arms, multiple arms, and/or with heavy loads.

Mounting Systems

Bases for Command Posts



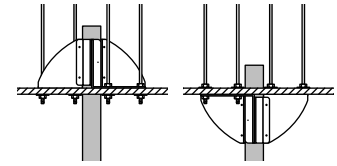
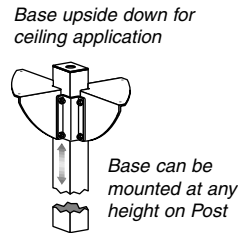
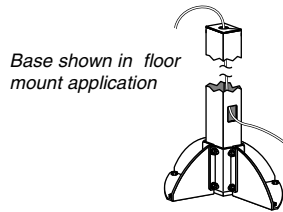
90-018, Hardware Kit for Base for attaching base to concrete surface

Caution: Surface construction varies and the ultimate mounting method you use to attach an Ergotron mounting system is out of Ergotron's control. It is important to consult with the appropriate local engineering, architectural, or construction personnel to ensure that an Ergotron mounting system is mounted properly to handle applied loads.

Select the appropriate Base for your post when mounting to floor or ceiling.

Part Number	Description	Dimensions H x W x D	Compatible with Post(s)...
60-360-000	Base, for 3" x 3" Post	7" x 17" x 17" (178 x 432 x 432 mm)	20-075-000, 20-076-000 20-077-000
60-138-000	Base, for 4" x 4" Post	8" x 18" x 18" (203 x 457 x 457 mm)	20-078-000
90-018	Hardware Kit for Base (4) concrete stud anchors	3/8" dia. x 3-3/4" long (9.5 x 95 mm)	

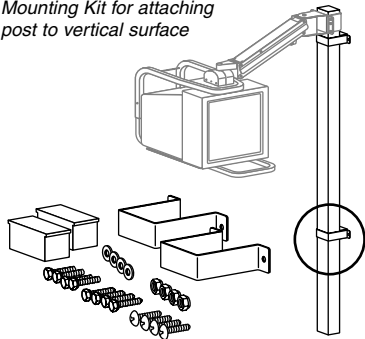
Note: Mounting 2" x 2" Post to floor or ceiling is not recommended in applications using CRT Monitor Arms.
Note: Order the Hardware Kit for Base when attaching to a concrete surface.



Customer provided threaded rod used to anchor Base above or below a false ceiling

Mounting Kits for Command Posts

Mounting Kit for attaching post to vertical surface

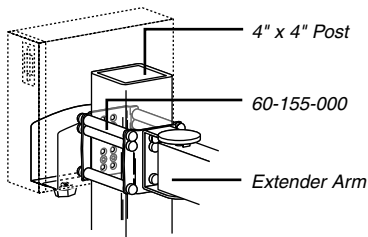
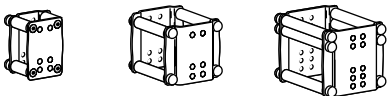


Select the appropriate Mounting Kit when mounting your post to a vertical surface, like a machine or workbench.

Part Number	Description	Compatible with Post(s)...
97-012-000	Mounting Kit, for 2" x 2" Post	20-143-000
97-011-000	Mounting Kit, for 3" x 3" Post	20-075-000, 20-076-000 20-077-000

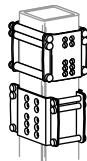
Note: If mounting 4" x 4" Post to a vertical surface, fasteners to be supplied by customer.

Brackets for Mounting Monitor Arms to Command Posts



Brackets are required for mounting monitor arms to posts. All vertical-mount arms are compatible with these brackets. Order brackets according to post size.

Part Number	Description	Dimensions W x H	Arm Mounting Hardware included...
60-153-000	Bracket for Arm, 2" x 2" Post	4-5/8" x 6-1/2" (117 x 165 mm)	(4) 3/8"-16 x 3/4" flat socket head
60-154-000	Bracket for Arm, 3" x 3" Post	5-3/4" x 5-3/8" (146 x 137 mm)	(4) 3/8"-16 x 3/4" flat socket head
60-155-000	Bracket for Arm, 4" x 4" Post	6-7/8" x 6-3/8" (175 x 162 mm)	(6) 3/8"-16 x 3/4" flat socket head

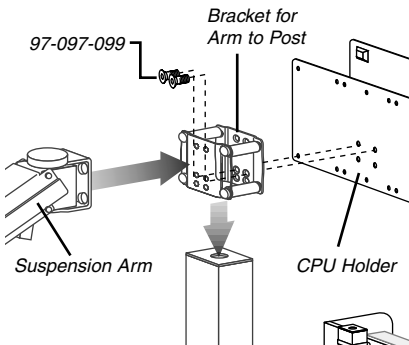


Multiple arms, extenders or components can be mounted to Command Post by stacking and offsetting brackets

Mounting Systems

Second Component Fastener Kits for Command Posts

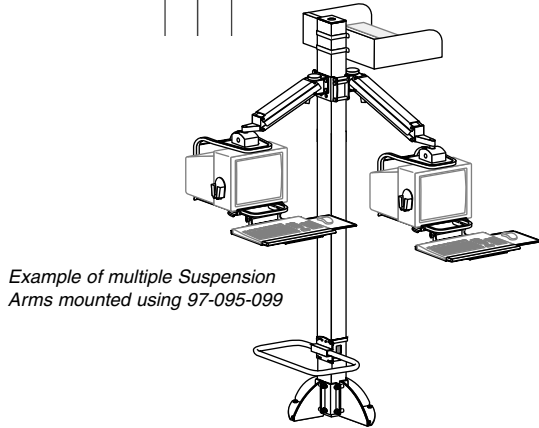
Mount a second component to the 3" x 3" or 4" x 4" Post Brackets by ordering one of these Fastener Kits.



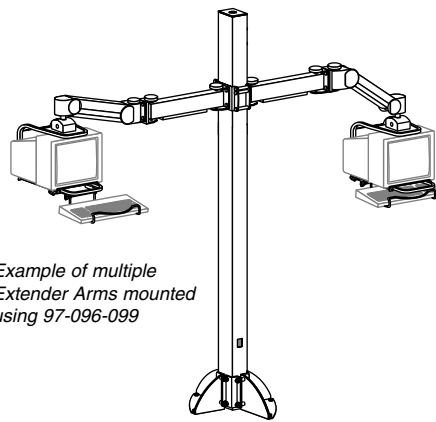
Part Number	Description
-------------	-------------

97-095-099	Fastener Kit, Suspension, Lift or Fixed Arm
97-096-099	Fastener Kit, Extender Arm
97-097-099	Fastener Kit, CPU Holder

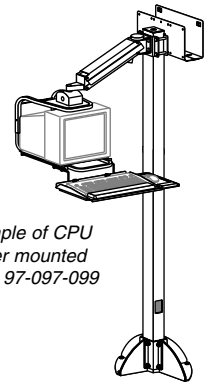
Note: When mounting Extender Arm or multiple monitor arms to Command Post, use 4" x 4" Post only.



Example of multiple Suspension Arms mounted using 97-095-099



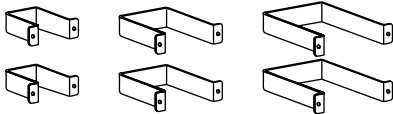
Example of multiple Extender Arms mounted using 97-096-099



Example of CPU Holder mounted using 97-097-099

Brackets for Mounting Peripherals to Command Posts

Peripherals require a bracket (unless noted otherwise) for mounting to a Command Post. Order brackets according to the post size to which you are mounting.

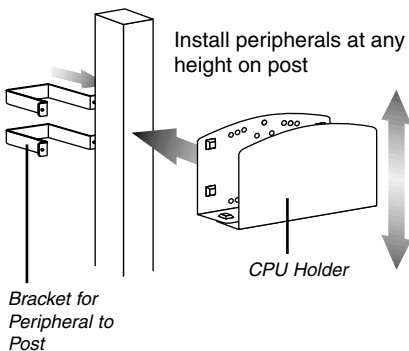


Part Number	Description
-------------	-------------

60-157-000	Bracket for Peripheral, 2" x 2" Post
60-158-000	Bracket for Peripheral, 3" x 3" Post
60-159-000	Bracket for Peripheral, 4" x 4" Post

Note: See the selection of available peripherals on pages 19–21.

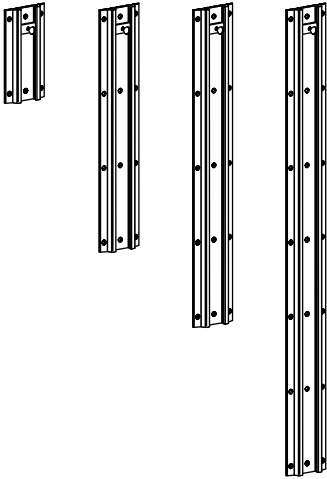
Note: If you plan to mount a monitor arm and peripheral on the same bracket, order Bracket for Arm to Post (previous page) and Fastener Kit #97-097-099 (above).



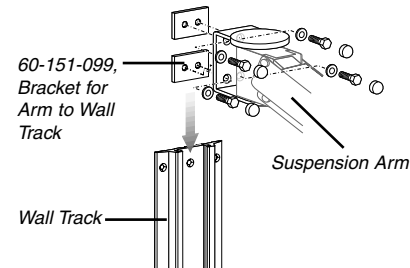
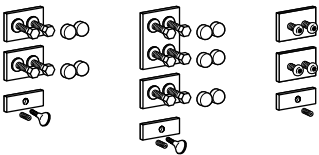
Bracket for Peripheral to Post

Mounting Systems

Wall Tracks



60-151-099 60-188-099 60-156



Caution: Surface construction varies and the ultimate mounting method you use to attach an Ergotron mounting system is out of Ergotron's control. It is important to consult with the appropriate local engineering, architectural, or construction personnel to ensure that an Ergotron mounting system is mounted properly to handle applied loads.

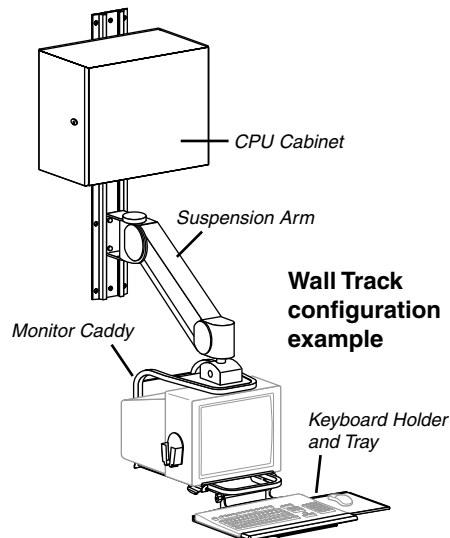
The Wall Track mounting system is a flexible, low-cost mounting method that occupies zero floor space. This system attaches to most vertical surfaces – such as walls, pillars, and machines – and provides one standard interface that will mount multiple Ergotron components anywhere along its length. Choose a length of Wall Track that will accommodate the size and number of components you wish to mount.

Part Number	Description	Dimensions H x W
31-016-182	10" Wall Track	10" x 5" (254 x 127 mm)
31-017-182	26" Wall Track	26" x 5" (660 x 127 mm)
31-018-182	34" Wall Track	34" x 5" (864 x 127 mm)
31-019-182	50" Wall Track	50" x 5" (1270 x 127 mm)

Part Number	Wall Track Mounting Kits	Application...
90-010	Wall Track Mounting Kit (10) Phillips self-tapping 14 x 1.5 LG screw	Sheet metal or wood studs
90-011	Wall Track Mounting Kit (10) Phillips 1/4"-20 x 1.5 LG screw/toggle anchor	Hollow walls

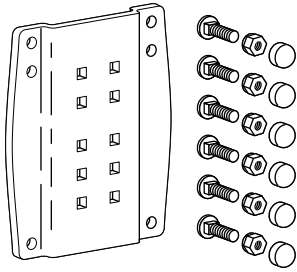
Part Number	Track Mount Bracket Kits	Mounting Screws
60-151-099	Bracket for Suspension, Lift, Fixed Arm to Wall Track	(4) 3/8"-16 x .75" hex head screws
60-188-099	Bracket for Extender Arm to Wall Track	(4) 3/8"-16 x .75" hex head screws
60-156	Bracket for Peripheral to Wall Track	(4) 3/8"-16 x .63" button head screws

Note: See the selection of available peripherals on pages 19–21.



Mounting Systems

Wall Bracket

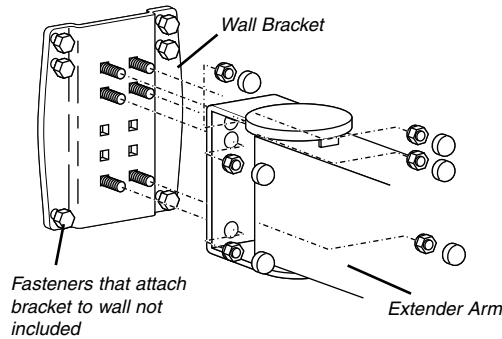


Caution: Surface construction varies and the ultimate mounting method you use to attach an Ergotron mounting system is out of Ergotron's control. It is important to consult with the appropriate local engineering, architectural, or construction personnel to ensure that an Ergotron mounting system is mounted properly to handle applied loads.

The Wall Bracket allows mounting of any monitor arm directly to a wall or solid structure, like a machine or pillar. This economical solution adds the extra support you need.

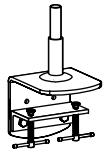
Part Number	Description	Dimensions W x H	Arm Fasteners
60-152-000	Wall Mounting Bracket with arm fasteners	6-5/8" x 8" (168 x 203 mm)	(6) 3/8"-16 x 3/4" carriage bolt

Note: Fasteners that attach Wall Bracket to wall are not supplied by Ergotron.

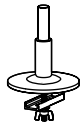


Desk Mounts

Desk Clamp

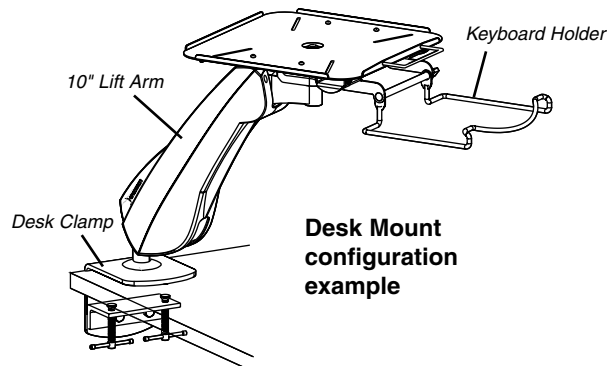


Grommet Mount



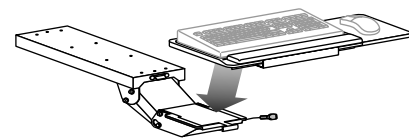
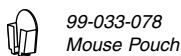
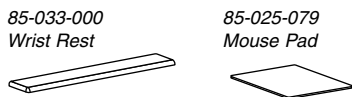
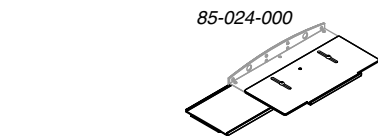
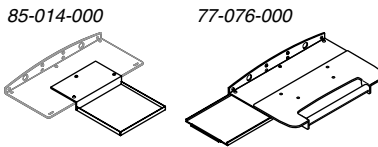
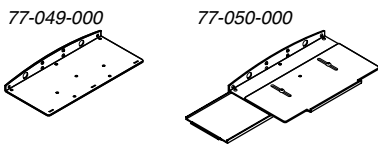
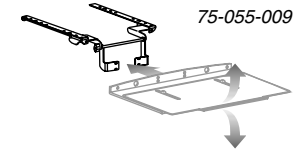
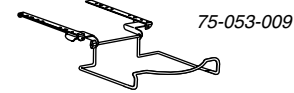
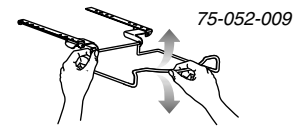
Desk Mounts allow direct attachment of a monitor arm to a horizontal surface, like a tabletop or desk. They are compatible only with the 10" Lift Arm.

Part Number	Description	Attaches to...
60-257-100	Desk Clamp	Horizontal surface at edge $\leq 3"$ (76 mm) thick
33-269-000	Grommet Mount	Horizontal surface through hole 3/8" to 3" (10 to 76 mm) wide, up to 4" (102 mm) thick



Keyboard Solutions

Keyboard Holders, Trays & Arms



Articulating Keyboard Arm, Keyboard Tray w/ Sliding Mouse Tray, and Wrist Rest

Note: See page 25 for information regarding other keyboard mounts.

Wire Keyboard Holders: Store your keyboard out of the way, then pull it out when needed. Tilt up or down in 15° increments. Keyboard Holders mount under Caddies and Platforms.

Part Number	Description	Dimensions W x D x H	Weight Capacity
75-052-009	Wire Keyboard Holder 2" drop, pull-out	12-7/8" x 23-1/2" x 4-1/2" (327 x 597 x 114 mm)	15 lbs (6.8 kg)
75-053-009	Wire Keyboard Holder 4" drop, pull-out	12-7/8" x 23-1/2" x 6-1/2" (327 x 597 x 165 mm)	15 lbs (6.8 kg)
75-064-009	Wire Keyboard Holder 2" drop, pull-out (10" Lift Arm only)	12-7/8" x 23-1/2" x 4-1/2" (327 x 597 x 114 mm)	15 lbs (6.8 kg)
75-065-009	Wire Keyboard Holder 4" drop, pull-out (10" Lift Arm only)	12-7/8" x 23-1/2" x 6-1/2" (327 x 597 x 165 mm)	15 lbs (6.8 kg)

Adjustable Keyboard Tray Holders: Store your keyboard out of the way, then pull it out when needed. Tilt up or down in 15° increments. Keyboard Holders mount under Caddies and Platforms. Use with separately ordered Keyboard/Mouse Trays (see below).

75-054-009	Adj. Keyboard Tray Holder 2.5" drop, pull-out	12-7/8" x 18-3/8" x 4" (327 x 467 x 102 mm)	15 lbs (6.8 kg)
75-055-009	Adj. Keyboard Tray Holder 5" drop, pull-out	12-7/8" x 18-3/8" x 7-1/2" (327 x 467 x 191 mm)	15 lbs (6.8 kg)

Keyboard/Mouse Trays Accessories: Use with the Adjustable Keyboard Tray Holders (see above).

			Use with...
77-001-000	Steel Keyboard/Mouse Tray	26" x 8-1/4" (660 x 210 mm)	75-052, 75-053 75-064 or 75-065
77-049-000	Keyboard Tray	16-1/2" x 7-1/4" x 2" (419 x 184 x 51 mm)	75-054-009 or 75-055-009
77-050-000	Keyboard Tray w/ Sliding Mouse Tray & Wrist Rest Holder	17-1/2" x 9 to 12" x 2-1/2" (445 x 229 to 305 x 64 mm)	75-054-009 or 75-055-009
77-076-000	Keyboard Tray w/ Handle and Sliding Mouse Tray	17-1/2" x 12-1/2" x 3-3/8" (445 x 318 x 86 mm)	75-054-009 or 75-055-009
85-014-000	Front Mouse Tray	7-1/4" x 7-1/8" x 1" (184 x 181 x 25 mm)	77-049-000
85-024-000*	Sliding Mouse Tray and Wrist Rest Holder		77-049-000
85-033	Wrist Rest, black	19" x 3" (483 x 76 mm)	
85-010-087	Wrist Rest, grey, premium, easy-clean	19" x 3" (483 x 76 mm)	
85-025-079	Mouse Pad	7" x 7" (178 x 178 mm)	
99-033-078	Mouse Pouch, grey		

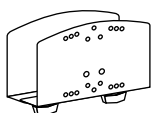
* 85-024-000 converts 77-049-000 into 77-050-000.

Articulating Keyboard Arms & Tray: Mount this arm under almost any worksurface or desktop. Features wide-ranging adjustment: slide forward and back, move up and down 6 inches, rotate 360°, tilt tray to fore and aft. Very smooth motion and durable construction. Color is black.

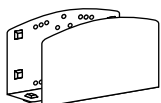
75-038	Articulating Keyboard Arm	L = 16-7/8" (427 mm) – stored position
77-026-098	Keyboard Tray with Sliding Mouse Tray	21" x 10-1/2" x 1-1/2" (533 x 267 x 38 mm)
85-008-098	Wrist Rest for Articulating Arm	19-1/2" x 2" (495 x 51 mm)
85-016-087	Wrist Rest for Art. Arm, grey, premium, easy-clean	19-1/2" x 2" (495 x 51 mm)

Peripherals and Accessories

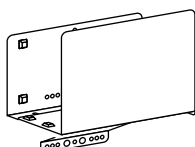
CPU Holders, Shelves and Cabinets



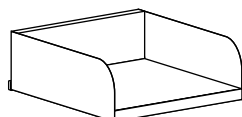
80-063-000
Small CPU Holder



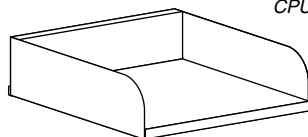
80-058-000
Medium CPU Holder



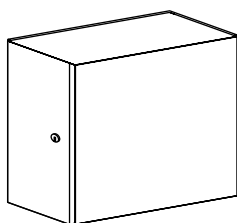
80-059-000
Large CPU Holder



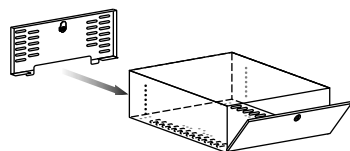
80-060-000
Medium CPU Shelf



80-061-000 Large
CPU Shelf



80-062-000 CPU
Cabinet



CPU Cabinet in horizontal position
with back cover removed

CPU Holders: Mount CPUs in a vertical, tower position. Each holder's width is adjustable. Three sizes are available to accommodate equipment 1-3/8" to 10-3/4" wide. Mount to Command Post, Wall Track, or directly to a vertical surface.

Part Number	Description	Dimensions H x W x D (D = Adjustment Range)	Weight Capacity
80-063-000	CPU Holder, Small	6" x 10" x 1-3/8–3-3/4" (152 x 254 x 35–95 mm)	50 lbs (22.7 kg)
80-058-000	CPU Holder, Medium	6-1/2" x 10" x 3-3/8–7-5/8" (165 x 254 x 86–194 mm)	100 lbs (45.4 kg)
80-059-000	CPU Holder, Large	14-5/8" x 12" x 5–10-3/4" (371 x 305 x 127–273 mm)	150 lbs (68.1 kg)

Note: When mounting to a Command Post or Wall Track, bracket is required. See pages 15–16.
Note: When mounting directly to surface, fasteners are supplied by user.

CPU Shelves: CPU Shelves are available in two sizes. They provide greater surface area to place equipment. Mount to Command Post, Wall Track, or directly to a vertical surface. Cables are routed through a back opening.

80-060-000	CPU Shelf, Medium	17" x 17" x 5" (432 x 432 x 127 mm)	100 lbs (45.4 kg)
80-061-000*	CPU Shelf, Large	22" x 20" x 7-1/2" (559 x 508 x 191 mm)	150 lbs (68.1 kg)

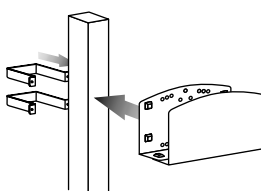
* Do not use CPU Shelf, Large (80-061-000) with the 2" x 2" Command Post (20-143-000).

Note: When mounting to a Command Post or Wall Track, bracket is required. See pages 15–16.
Note: When mounting directly to surface, fasteners are supplied by user.

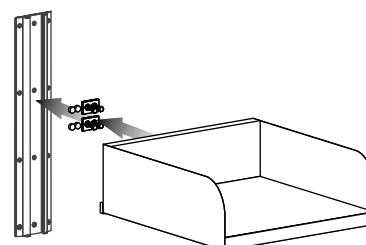
CPU Cabinet: Ergotron's CPU Cabinet provides a secure enclosure to mount and protect equipment up to 18-3/8" wide. It secures with a lockable, hinged front panel and lockable, removable back panel. The bottom and back are vented. Cables pass through routing holes in the bottom.

80-062-000	CPU Cabinet	18-3/8" x 21" x 8" (467 x 533 x 203 mm)	125 lbs (56.7 kg)
65-029-000	Fixed Underbracing for horizontal mounting to 3" x 3" Command Post		
65-088-000	Fixed Underbracing for horizontal mounting to 4" x 4" Command Post		
65-059-000	Fixed Underbracing for horizontal mounting to Wall Track		

Note: To mount CPU Cabinet **vertically** on Command Post or Wall Track, bracket is required. See pages 15–16.
Note: To mount CPU Cabinet **horizontally** on Command Post or Wall Track, order appropriate Fixed Underbracing above. No extra bracket is required.

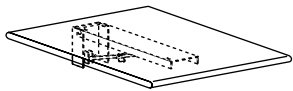


Bracket is required when mounting holder to Command Post or Wall Track

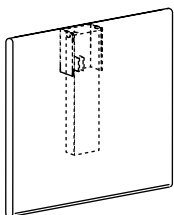


Peripherals and Accessories

Peripheral Table



Fold-Away Underbracing and Peripheral Table shown in up position (above) and down position (below)



The Peripheral Table provides a solid, laminated surface for writing or holding equipment. Comes in Grey Millstone finish. Configure it with either a Fixed or Fold-Away Underbracing. Mount to Command Post, Wall Track, or directly to a vertical surface.

Part Number	Description	Dimensions W x D x H
55-035-999	Peripheral Table, laminated	20" x 18" x 3/4" (508 x 457 x 19 mm)
65-048-000	Fold-Away Underbracing	
65-029-000	Fixed Underbracing for horizontal mounting to 3" x 3" Command Post	
65-088-000	Fixed Underbracing for horizontal mounting to 4" x 4" Command Post	
65-059-000	Fixed Underbracing for horizontal mounting to Wall Track	

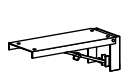
Note: When mounting directly to surface, fasteners are supplied by user.

Note: To mount Fold-Away Underbracing to Command Post or Wall Track, bracket is required. See pages 15–16.

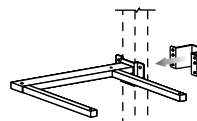
Note: No extra bracket is required for Fixed Underbracing.



55-035-999 Peripheral Table with laminated worksurface



65-048-000 Fold-Away Underbracing



65-029-000 Fixed Underbracing for 3" x 3" Post

Security Straps



97-068, Ergolock PC Kit



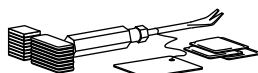
97-069, 4" Straps w/ Fasteners



97-072, Fasteners



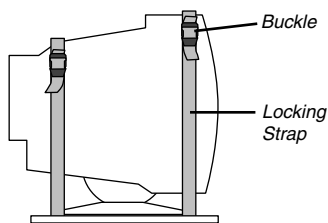
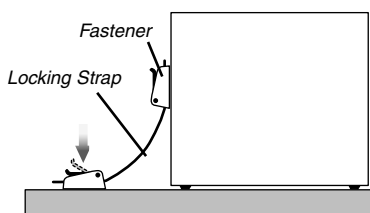
97-073 48" roll of locking Strap



97-074, Ergolock Lift-off Tool

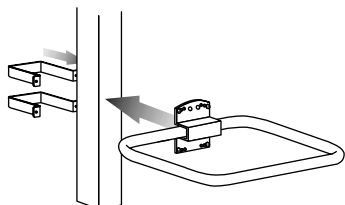
Ergolock Kits are used to further secure equipment. Depending on your application, choose from either the Strap with Buckle Kits or the Locking Strap with Fastener Kits.

Part Number	Description	Includes...	Weight Capacity
97-063	Ergolock Strap and Buckle Kit	8-foot Strap (2) w/ Buckles	
97-068	Ergolock PC Kit	4" Strap (4) w/ Fasteners/Leash	
97-069	Ergolock Strap and Fastener Kit	4" Strap (2) w/ Fasteners	50 lbs (22.7 kg)
97-070	Ergolock Strap and Fastener Kit	4" Strap (2) w/ Fasteners	100 lbs (45.4 kg)
97-071	Ergolock Strap and Fastener Kit	5" Strap (2) w/ Fasteners	200 lbs (90.8 kg)
97-072	Fasteners (4)		100 lbs (each) (45.4 kg)
97-073	48" Roll of Strap		
97-074	Ergolock Lift-off Tool w/ replacement adhesive pads		



Peripherals and Accessories

Footrest



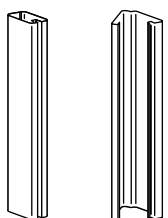
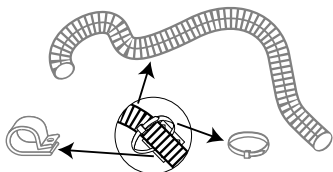
Install the Footrest on the Command Post or directly to a vertical surface to provide more ergonomic comfort to the user.

Part Number	Description	Dimensions W x D	Weight Capacity
85-023-000	Footrest	19" x 9-1/2" (483 x 241 mm)	200 lbs (90.8 kg)

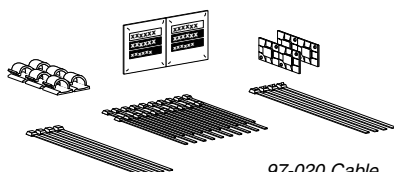
Note: To mount Footrest to Command Post, bracket is required. See page 15.

Cable Management

97-041, Kit includes fasteners and 12-foot flexible tube



Cable Management Channel



97-020 Cable Management Routing Kit

Cable Routing Tubes: The Cable Routing Tube Kit encloses equipment cables in 1-inch diameter flexible tubing. The 12-foot length can be cut down to any size that is required by your application. The N12 Suspension Arm employs a tubing system that conceals and routes cables in NEMA 12 environments – order 97-179-098 when configuring an Ergotron NEMA Arm.

Part Number	Description	Length
97-041	Cable Routing Tube Kit, grey	12 feet (3.7 m)
97-179-098	Cable Routing Tube for N12 Arm, black, (order in 1' increments, minimum 5')	1 foot (305 mm)

Cable Channels: Cable Channels are rigid plastic tubing that can be mounted to provide additional cable management. To use the Channels, simply open, route your cables, then snap the Channel closed. They may be attached by using the supplied tape or screws.

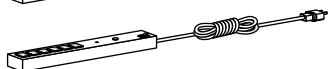
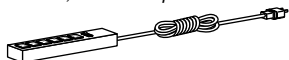
		Dimensions (L x W x D)
70-038-089	12" Cable Management Channel, grey	12" x 1-5/8" x 1" (305 x 41 x 25 mm)
70-008-089	24" Cable Management Channel, grey	24" x 1-5/8" x 1" (610 x 41 x 25 mm)
70-011-089	32" Cable Management Channel, grey	32" x 1-5/8" x 1" (813 x 41 x 25 mm)
70-017-089	12" Cable Management Channel, set of 6, grey	12" x 1-5/8" x 1" (305 x 41 x 25 mm)

Cable Channel Accessories: The Cable Management Routing Kit includes ties and clips that provide additional control and organization of cables.

97-020	Cable Management Routing Kit
--------	------------------------------

Power Strips

83-002, Power Strip



83-006, Surge Suppressor

The Surge Suppressor offers protection against spikes and surges with one-nanosecond response time. The Power Strip is an economical way to provide extra outlets. Both feature sturdy aluminum housing and a 15-foot cord.

Part Number	Description
83-006	Surge Suppressor with 6 outlets (15 AMP)
83-002	Power Strip with 6 outlets (15 AMP)

Appendix

Weight Capacity

Fixed Arms	100 lbs (45.4 kg)
6" Suspension Arms	
6" x 13" "A"	15–35 lbs (6.8–15.9 kg)
6" x 13" "B"	35–65 lbs (15.9–29.5 kg)
6" x 19" "A"	15–35 lbs (6.8–15.9 kg)
6" x 19" "B"	35–65 lbs (15.9–29.5 kg)
6" x 19" "C"	65–100 lbs (29.5–45.4 kg)
10" Lift Arm	20–60 lbs (9.1–27.2 kg)
12" Suspension Arm	25–100 lbs (11.4–45.4 kg)
16" Lift & Suspension Arms	25–100 lbs (11.4–45.4 kg)
N12 Suspension Arm	25–100 lbs (11.4–45.4 kg)
Extender Arms	Varies by arm, see table

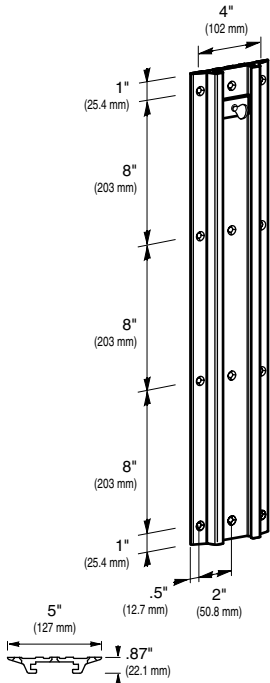
Weight Capacity of Extender Arms				
Extender Arm Length	Suspension Arm Model	Wall Track Capacity	Wall Bracket Capacity	Command Post Capacity
12"	6"V x 13"L	65 lbs (29.5 kg)	65 lbs (29.5 kg)	65 lbs (29.5 kg)
	6"V x 19"L	80 lbs (36.3 kg)	100 lbs (45.4 kg)	100 lbs (45.4 kg)
	10" Lift	60 lbs (27.2 kg)	60 lbs (27.2 kg)	60 lbs (27.2 kg)
	12"V	75 lbs (34.0 kg)	100 lbs (45.4 kg)	100 lbs (45.4 kg)
	16" Lift & Susp.	70 lbs (31.8 kg)	100 lbs (45.4 kg)	100 lbs (45.4 kg)
	N12	70 lbs (31.8 kg)	100 lbs (45.4 kg)	100 lbs (45.4 kg)
18"	6"V x 13"L	65 lbs (29.5 kg)	65 lbs (29.5 kg)	65 lbs (29.5 kg)
	6"V x 19"L	70 lbs (31.8 kg)	100 lbs (45.4 kg)	100 lbs (45.4 kg)
	10" Lift	60 lbs (27.2 kg)	60 lbs (27.2 kg)	60 lbs (27.2 kg)
	12"V	65 lbs (29.5 kg)	100 lbs (45.4 kg)	100 lbs (45.4 kg)
	16" Lift & Susp.	60 lbs (27.2 kg)	100 lbs (45.4 kg)	100 lbs (45.4 kg)
	N12	60 lbs (27.2 kg)	100 lbs (45.4 kg)	100 lbs (45.4 kg)
24"	6"V x 13"L	65 lbs (29.5 kg)	65 lbs (29.5 kg)	65 lbs (29.5 kg)
	6"V x 19"L	60 lbs (27.2 kg)	100 lbs (45.4 kg)	100 lbs (45.4 kg)
	10" Lift	60 lbs (27.2 kg)	60 lbs (27.2 kg)	60 lbs (27.2 kg)
	12"V	55 lbs (25.0 kg)	100 lbs (45.4 kg)	100 lbs (45.4 kg)
	16" Lift & Susp.	50 lbs (22.7 kg)	100 lbs (45.4 kg)	100 lbs (45.4 kg)
	N12	50 lbs (22.7 kg)	100 lbs (45.4 kg)	100 lbs (45.4 kg)
30"	6"V x 13"L	60 lbs (27.2 kg)	65 lbs (29.5 kg)	65 lbs (29.5 kg)
	6"V x 19"L	50 lbs (22.7 kg)	100 lbs (45.4 kg)	100 lbs (45.4 kg)
	10" Lift	50 lbs (22.7 kg)	60 lbs (27.2 kg)	60 lbs (27.2 kg)
	12"V	45 lbs (20.4 kg)	95 lbs (43.1 kg)	95 lbs (43.1 kg)
	16" Lift & Susp.	40 lbs (18.2 kg)	90 lbs (40.9 kg)	90 lbs (40.9 kg)
	N12	40 lbs (18.2 kg)	90 lbs (40.9 kg)	90 lbs (40.9 kg)

Keyboard Holders	15 lbs (6.8 kg)
CPU Holders	
Vertical, Small	50 lbs (22.7 kg)
Vertical, Medium	100 lbs (45.4 kg)
Vertical, Large	150 lbs (68.1 kg)
Horizontal, Medium	100 lbs (45.4 kg)
Horizontal, Large	150 lbs (68.1 kg)
CPU Cabinet	125 lbs (56.7 kg)
Footrest	200 lbs (90.8 kg)
Peripheral Table, Fold-Away Underbracing	50 lbs (22.7 kg)
Peripheral Table, Fixed Underbracing	100 lbs (45.4 kg)

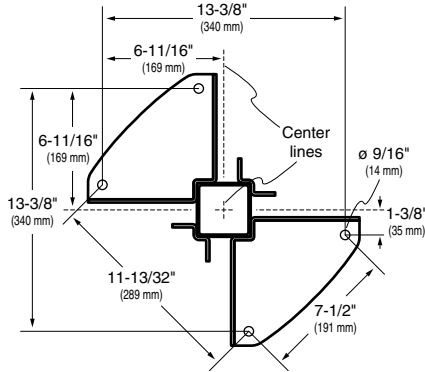
Appendix

Hole Patterns

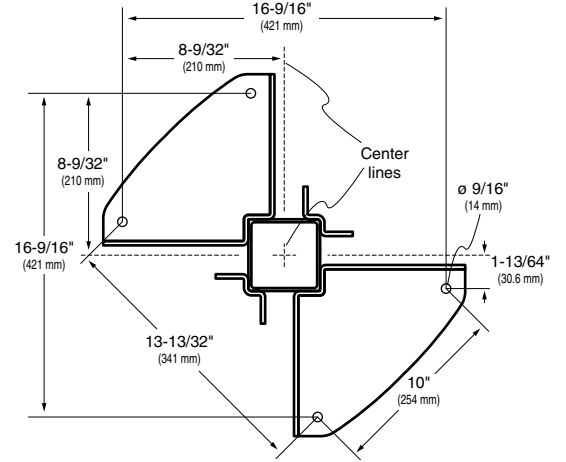
Wall Track Hole Pattern



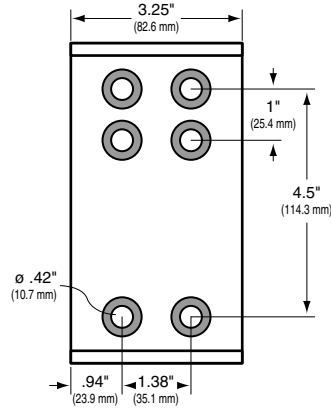
3" x 3" Post Hole Pattern



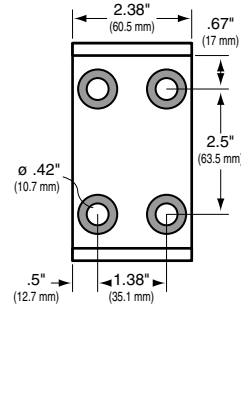
4" x 4" Post Hole Pattern



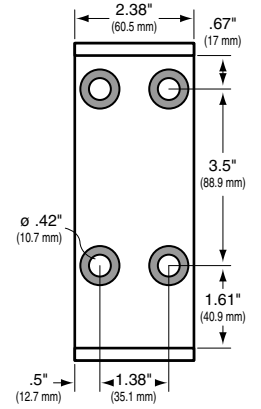
Extender Arms Hole Pattern



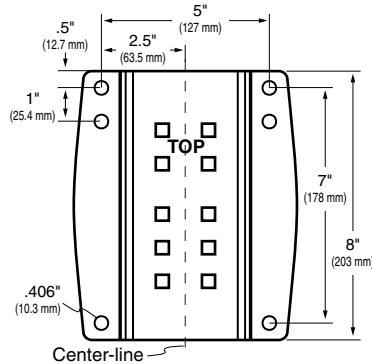
12", 6" and Fixed Arms Hole Pattern



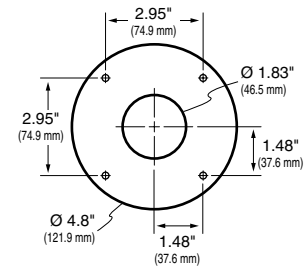
16" and N12 Arms Hole Pattern



Wall Mount Bracket Hole Pattern



Enclosure Interface for N12 Arm



Appendix

Computer Carts



*HD-2 Series –
Flat Panel Monitor
Deluxe Configuration*



*HD-2 Series –
Laptop Deluxe
Configuration*



*Mobile WorkStand
shown with Ergotron's
400 Series Flat Panel
Monitor Arms.*

*Mobile WorkCenter
shown with Ergotron's
300 Series Desk
Mount Flat Panel Arm.*



No matter how demanding the mobile computing application, or what type of computing equipment you need to mobilize, Ergotron has a computer cart to get the job done. Ergonomic design, versatile cable management, high-quality components and rugged construction let you go mobile with confidence and stay mobile over the long term.

HD-2 Series Cart

The HD-2 Series Cart provides easy single-motion adjustment to place your computer where you need it with little effort. Available in Deluxe and Basic models for both flat panel monitors and laptop computer configurations. Consult the HD-2 Series Cart Orderguide, 870-03-025, for ordering information.

Mobile WorkStand

The Mobile WorkStand integrates technology and convenience, allowing the user to move a computer system from room to room. It quickly adjusts to a sitting or standing user height, providing an ergonomically correct work environment at all times. Consult the Flat Panel Mounting Solutions Orderguide, 870-03-005, for ordering information.

Mobile WorkCenter

The Mobile WorkCenter is a complete workstation on wheels, with extra storage space for equipment, tools and supplies. Consult the Mobile WorkCenter Orderguide, 870-03-010, for ordering information.

If you don't see what you need, Ergotron's Custom Solutions Group can design and build custom carts for unique applications.

Appendix

Other Keyboard/ Laptop Mounts

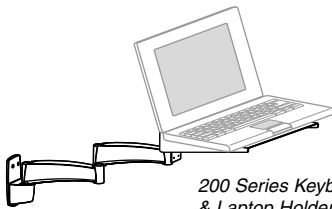
Several keyboard and laptop mounting products are available from Ergotron. Choose from arms and pivots that extend, raise, swing and/or tilt a keyboard to the point of use. Keyboard and Mouse Trays featured on page 18 of this guide are compatible with these products. Use with Command Post, Wall Track and other mounting options. Composed of steel and high-impact plastic, these arms and pivots are built to last.



100 Series Keyboard Pivot & Keyboard Tray

100 Series Pivots

Tilt your keyboard to a comfortable angle. This low-profile mount saves space by folding a keyboard flat against the wall when not in use. Mount them to most any vertical surface. A simple and economical choice.



200 Series Keyboard Arm & Laptop Holder

200 Series Arms

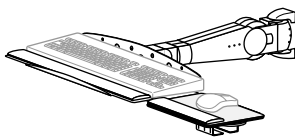
200 Series products provide telescoping motion. Combine these arms together to provide more extension capability. Two 9" Extensions will extend a keyboard out 20 inches, or fold it back out of the way when not in use. Cables are neatly routed through the arm.



300 Series Keyboard Arm with Extension, Keyboard Tray with Sliding Mouse Tray & Wrist Rest

300 Series Vertical Adjustment Arms

300 Series products move a keyboard through a 16-inch vertical range of motion. Use alone or combine with 200 Series Extensions to add telescoping adjustment to your configuration.

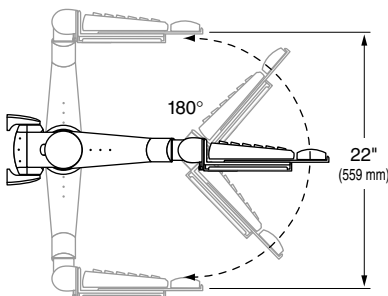


400 Series Keyboard Arm, Keyboard Tray with Sliding Mouse Tray & Wrist Rest, Mouse Pouch

400 Series Vertical Adjustment Arms

Sleek and rugged, the 400 Series Keyboard Arm provides an unparalleled vertical range of motion of 22 inches. That means true sit-to-stand adjustability. Cables are routed and concealed within the arm.

For more information, see the Flat Panel Mounting Solutions Orderguide, 870-03-005, on our website – www.ergotron.com.



400 Series Keyboard Arm – vertical range of motion

Appendix

Ergonomics Data

To obtain optimum performance from a workstation, consider the following topics during installation:

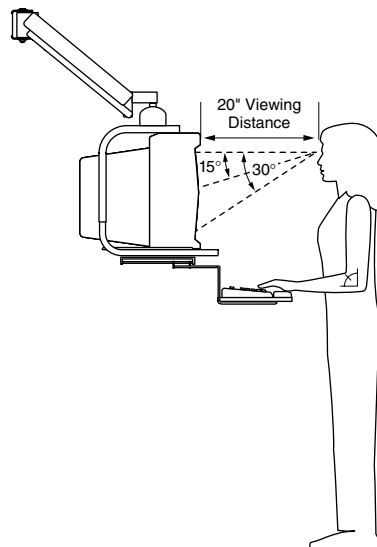
1. The adjustment range of the product.
2. The use-mode of the product...
 - a. Monitoring only?
 - b. Data entry?
 - c. User will be sitting?
 - d. User will be standing?
 - e. User will be sitting and standing at different times?
3. Vertical mounting height of the product in respect to user(s)...
 - a. Female or male only?
 - b. Female and male both?
 - c. Average height of users?

Vertical Positions — The vertical positioning data provided in this guide has been established to optimize the human/machine interface when in the following work modes:

1. **Sitting** — Mounting of the computer workstation in a vertical position to optimize its use by various size personnel when seated in a standard height chair. If the adjustment range of the device is greater than the standard height variance for the range of users, this additional vertical adjustment range can be used to “park” the monitor and/or keyboard out of the way, or provide an increased range of adjustment.
2. **Standing** — Mounting the computer workstation in a vertical position to optimize its use by various size personnel when standing. If the adjustment range of the device is greater than the standard height variance for the range of users, any additional vertical adjustment range can be used to “park” the monitor and/or keyboard out of the way, or provide an increased range of adjustment.
3. **Sit-to-Stand** — Mounting the computer workstation in a vertical position to optimize its use by various size personnel when shifting between a sitting or standing position. Note that only the 12", 16" and N12 Arms have varying degrees of this capability.

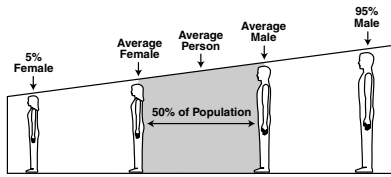
Vertical Height Data — The vertical height data used in this guide is set forth in the following tables and is based on scientific data. In this guide, we have chosen to utilize two primary criteria for determining mounting height of our ergonomic computer workstations:

1. **Eye Height** — The following vertical height mounting tables are based upon the sound ergonomic principal that for optimum viewing comfort and proper posture, the top of the CRT monitor screen should be level with or slightly below the eye height of the user. This provides an approximate 15° viewing angle to the center of the screen at a 20" viewing distance as shown in the figure below.
2. **Elbow/Typing Height** — Another important criteria for determining optimum mounting height of a computer workstation is to provide optimum elbow or typing height for a range of operators. Ergotron offers a variety of keyboard options: some have a fixed descent below the CRT monitor; others provide both vertical and tray tilt adjustability. In all cases an attempt should be made to provide an optimum vertical height relationship between the keyboard tray and the CRT screen.



Appendix

Eye Height/Elbow Height Tables — The following tables provide eye height and elbow height data based on anthropometric data for the US population.



Anthropometric Data for Average Range of Users

Inches

	Eye Height			Elbow Height			Eye/Elbow Height Variance*	
	Stand	Sit	Var.	Stand	Sit	Var.	Stand	Sit
Av. Female	59.4	44.0	15.4	38.8	23.0	15.8	20.6	21.0
Av. Person***	61.7	46.1	15.6***	40.4	24.9	15.5	21.3	21.2
Av. Male	64.4	48.5	15.9	42.5	27.0	15.5	21.9	21.5
Variance F/M**	5.0	4.5	—	3.7	4.0	—	—	—

Millimeters

	Eye Height			Elbow Height			Eye/Elbow Height Variance*	
	Stand	Sit	Var.	Stand	Sit	Var.	Stand	Sit
Av. Female	1509	1118	391	986	584	401	523	533
Av. Person	1567	1171	396	1126	632	394	541	538
Av. Male	1636	1232	404	1080	686	394	556	546
Variance F/M	127	114	—	94	102	—	—	—

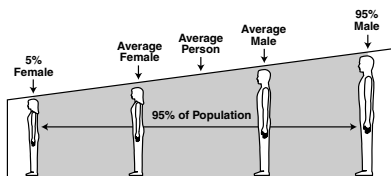
* Eye height/elbow height = distance from top of CRT monitor screen to keyboard tray—roughly 21".

** Workstation with 6" of vertical adjustability can provide optimum viewing height for the average range of female to male operators in either a sitting or standing environment.

*** Workstation with 16" of vertical adjustability can provide a sit-to-stand workstation environment for a range of average height persons. An adjustment range of 20" will cover the sit-to-stand range of average female to average male operators, i.e. 64.4"-44".

The above tables provide mounting height data to set up a workstation for an average range of operators: average female, average person or average male. If increased adjustability ranges are required, reference the tables below, which provide anthropometric data for 90% of US population.

Note: Values do not include shoe height, usually 1" for males and 1/2" for females.



This entry denotes the female who is at the 5% mark of a scale ranging 0% to 100%.

This entry denotes the male who is at the 95% mark of a scale ranging 0% to 100%.

Anthropometric Data for 90% of Population[†]

Inches

	Eye Height			Elbow Height			Eye/Elbow Height Variance**	
	Stand	Sit	Var.	Stand	Sit	Var.	Stand	Sit
5% Female	55.7	40.8***	14.9	36.5	20.8	15.7	19.2	20.0
95% Male	68.6***	52.1	16.5	45.4	29.5	15.9	23.2	22.6
Variance F/M*	12.9*	11.3	—	8.9	8.7	—	—	—

Millimeters

	Eye Height			Elbow Height			Eye/Elbow Height Variance**	
	Stand	Sit	Var.	Stand	Sit	Var.	Stand	Sit
5% Female	1415	1036***	378**	927	528	399	488	508
95% Male	1742***	1323	419	1153	749	404	589	574
Variance F/M	328	287	—	226	221	—	—	—

* Workstation with 12.9" of vertical adjustability can provide optimum viewing height for the 5% female to 95% male population in either a sitting or standing environment.

** Eye/elbow height = top of CRT screen to keyboard tray.

*** To provide a sit-to-stand work environment for the complete 5% female to 95% male population requires a workstation with 27.8" of vertical adjustability.

† "90% of Population" excludes the shortest 5% of females and the tallest 5% of males in the US population.

Maximize the effectiveness of your computer systems with Ergotron Products



Since 1982, Ergotron has designed and engineered products specifically for improving the human interface with computers. Innovative engineering concepts incorporate the human factor into each and every product. With our patented Monitor Suspension technology as the core, Ergotron designs Mounting Solutions that consistently meet the ever changing needs of our customers.

Our experienced Sales Representatives will work with you to define your requirements and custom configure standard components to cost-effectively meet those requirements. If you do not see a product that meets your requirements, call us and we will tailor a solution to your needs.

© 2004 Ergotron, Inc.
rev. 05/13/2004 870-03-018

Ergotron, Inc.: St. Paul, MN; (800) 888-8458;
www.ergotron.com; sales@ergotron.com

Ergotron Europe: Amsterdam, The Netherlands;
Tel. +31 20 312.29.39; info.eu@ergotron.com

Ergotron Canada: Calgary, Alberta;
(800) 267-9912; info.ca@ergotron.com

