



DOCUMENT CAMERA
P100
INSTRUCTION MANUAL

Please read this instruction manual carefully before using this product and keep it for future reference.

IMPORTANT SAFEGUARDS

- **Read Instructions** – All the safety and operating instructions should be read before the appliance is operated.
- **Retain Instructions** – The safety and operating instructions should be retained for future reference.
- **Heed Warnings** – All warnings on the product and in the operating instructions should be adhered to.
- **Follow Instructions** – All operating and use instructions should be followed.
- **Cleaning** – Unplug this product from the wall outlet before cleaning. Do not use liquid cleaners or aerosol cleaners. Use a damp cloth for cleaning.
- **Attachments** – Do not use attachments not recommended by the product manufacturer as they may cause hazards.
- **Water and Moisture** – Do not use this product near water - for example, near a bath tub, wash bowl, kitchen sink, or laundry tub, in a wet basement, or near a swimming pool, and the like.
- **Placement** – Do not place this product on an unstable cart, stand, tripod, bracket, or table. The product may fall, causing serious injury to a child or adult, and serious damage to the product. Use only with a cart, stand, tripod, bracket, or table recommended by the manufacturer, or sold with the product. Any mounting of the product should follow the manufacturer's instructions, and should use a mounting accessory recommended by the manufacturer.
- **Ventilation** – Slots and openings in the cabinet are provided for ventilation and to ensure reliable operation of the product and to protect it from overheating, and these openings must not be blocked or covered. The openings should never be blocked by placing the product on a bed, sofa, rug, or other similar surface. This product should not be placed in a built-in installation such as a bookcase or rack unless proper ventilation is provided or the manufacturer's instructions have been adhered to.
- **Power Sources** – This product should be operated only from the type of power source indicated on the marking label. If you are not sure of the type of power supply to your home consult your appliance dealer or local power company. For products intended to operate from battery power, or other sources, refer to the operating instructions.

■ **Grounding or Polarization** – This product may be equipped with either a polarized 2-wire AC line plug (a plug having one blade wider than the other) or a 3-wire grounding type plug, a plug having a third (grounding) pin. The 2-wire polarized plug will fit into the power outlet only one way. This is a safety feature. If you are unable to insert the plug fully into the outlet, try reversing the plug. If the plug still fails to fit, contact your electrician to replace your obsolete outlet. Do not defeat the safety purpose of the polarized plug. The 3-wire grounding type plug will fit into a grounding type power outlet. This is a safety feature. If you are unable to insert the plug into the outlet, contact your electrician to replace your obsolete outlet. Do not defeat the safety purpose of the grounding type plug.

■ **Power-Cord Protection** – Power-supply cords should be routed so that they are not likely to be walked on or pinched by items placed upon or against them, paying particular attention to cords at plugs, convenience receptacles, and the point where they exit from the product.

■ **Lightning** – For added protection for this product during a lightning storm, or when it is left unattended and unused for long periods of time, unplug it from the wall outlet and disconnect the antenna or cable system. This will prevent damage to the product due to lightning and power-line surges.

■ **Overloading** – Do not overload wall outlets, extension cords, or integral convenience receptacles as this can result in a risk of fire or electric shock.

■ A product and cart combination should be moved with care. Quick stops, excessive force, and uneven surfaces may cause the product and cart combination to overturn.



■ **Object and Liquid Entry** – Never push objects of any kind into this product through openings as they may touch dangerous voltage points or short-out parts that could result in a fire or electric shock. Never spill liquid of any kind on the product.

■ **Servicing** – Do not attempt to service this product yourself as opening or removing covers may expose you to dangerous voltage or other hazards. Refer all servicing to qualified service personnel.

■ **Damage Requiring Service –** Unplug this product from the wall outlet and refer servicing to qualified service personnel under the following conditions:

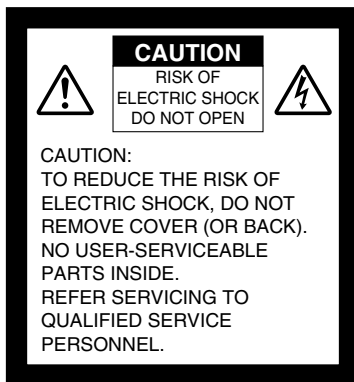
- When the power-supply cord or plug is damaged.
- If liquid has been spilled, or objects have fallen into the product.
- If the product has been exposed to rain or water.
- If the product does not operate normally by following the operating instructions. Adjust only those controls that are covered by the operating instructions as an improper adjustment of other controls may result in damage and will often require extensive work by a qualified technician to restore the product to its normal operation.
- If the product has been dropped or damaged in any way.
- When the product exhibits a distinct change in performance - this indicates a need for service.

■ **Replacement Parts –** When replacement parts are required, be sure the service technician has used replacement parts specified by the manufacturer or have the same characteristics as the original part. Unauthorized substitutions may result in fire, electric shock or other hazards.

■ **Safety Check –** Upon completion of any service or repairs to this product, ask the service technician to perform safety checks to determine that the product is in proper operating condition.

■ **Heat –** The product should be situated away from heat sources such as radiators, heat registers, stoves, or other products (including amplifiers) that produce heat.

■ This product includes a Fluorescent Lamps component that contains mercury. Please consult your state and local regarding proper disposal or recycling, and do not place in the trash.



SA 1965

The lightning flash with arrowhead symbol, within an equilateral triangle, is intended to alert the user to the presence of uninsulated "dangerous voltage" within the product's enclosure that may be of sufficient magnitude to constitute a risk of electric shock to persons. This marking is located at the bottom of product.



SA 1966

The exclamation point within an equilateral triangle is intended to alert the user to the presence of important operating and maintenance (servicing) instructions in the literature accompanying the product.

WARNING:
TO REDUCE THE RISK
OF FIRE OR ELECTRIC
SHOCK, DO NOT
EXPOSE THIS
PRODUCT TO RAIN OR
MOISTURE.

THIS IS A CLASS A
PRODUCT.
IN A DOMESTIC
ENVIRONMENT THIS
PRODUCT MAY CAUSE
RADIO
INTERFERENCE IN
WHICH CASE THE
USER MAY BE
REQUIRED TO TAKE
ADEQUATE MEASURES.

WARNING : Handling the cord on this product or cords associated with accessories sold with this product, will expose you to lead, a chemical known to the State of California to cause birth defects or other reproductive harm.

Wash hands after handling.

FOR UNITED STATES
USERS:

INFORMATION

This equipment has been tested and found to comply with the limits for a Class A digital device, pursuant to Part 15 of the FCC Rules. These limits are designed to provide reasonable protection against harmful interference when the equipment is operated in a commercial environment. This equipment generates, uses, and can radiate radio frequency energy and, if not installed and used in accordance with the instruction manual, may cause harmful interference to radio communications. Operation of this equipment in a residential area is likely to cause harmful interference in which case the user will be required to correct the interference at his own expense.

USER-INSTALLER
CAUTION:

Your authority to operate this FCC verified equipment could be voided if you make changes or modifications not expressly approved by the party responsible for compliance to Part 15 of the FCC rules.

BEFORE YOU USE

- The power cord applicable to the local power specifications is attached. Be sure to use the power cord applicable to your local power specification.
- Do not leave this product under direct sunlight or by heaters, or this product may be discolored, deformed, or damaged.
- Do not place this product in any humid, dusty, windy or vibrating location. Use this product in the following environmental conditions:
 - Temperature: 5°C~40°C (41°F~104°F)
 - Humidity: 30%~85% (No condensation)
- In handling (including setting up and storing) or carrying the camera, be meticulously careful not to give an impact on the camera head.
- To prevent dropping and falling, observe the following:
 - Use the camera on a stable stand, desk or table. Never put the camera on any shaky stand or inclined or instable place.
 - Before using, lay out the power cord, the AC adapter cable and the video cable not to be pulled, and wire them accordingly.
- Use a soft, dry cloth for cleaning. Do not use any volatile solvent, such as thinner or benzene.
- Do not directly point the camera lens into the sun, or the camera may be damaged.
- Caring for the batteries:
 - If this product is not used for a long time, take out the batteries from the wireless remote control.
 - Do not use rechargeable Ni-Cd batteries.
 - Do not use new and old batteries, or batteries of different types together.
 - Do not try to recharge or short-circuit the batteries.
- Luminescent and Black Spots

This camera has a CMOS area image sensor and a color LC panel, which are composed of many pixels. Some of these pixels may not operate normally. As a result, a luminescent spot or a black spot may appear on the output screen. However, this is a phenomenon unique to the CMOS area image sensor and color LC panel and therefore this phenomenon is not faulty.
- Do not press the LC panel strongly or with a sharp-pointed object, or it would cause break or failure to the color LC panel.
- Transfer the data in an SD card to a PC or other data storage means for backup purpose. Note with care that the data in the SD card could be lost due to failure or repair of this product.

**PART NAMES
AND
FUNCTIONS**

SETTING UP

STORING

**OPERATION
PROCEDURE**

**VARIOUS
FUNCTIONS
AND OPERATIONS**

**ABOUT
RS-232C**

TROUBLESHOOTING

SPECIFICATIONS

CONTENTS

PART NAMES
AND
FUNCTIONS

SETTING UP

STORING

OPERATION
PROCEDURE

VARIOUS
FUNCTIONS
AND OPERATIONS

ABOUT
RS-232C

TROUBLESHOOTING

SPECIFICATIONS

1. PART NAMES AND FUNCTIONS

Name of Each Part59
 Appearance59
 Functions60
 Front Operating Panel60
 Rear Panel61
 Side Panel62
 OSD (On-Screen Display)63
 Camera Mode (Menu when camera image is in display)63
 Wireless Remote Control66
 Receivable Range68
 Battery Change68

2. SETTING UP

Setting Up69
 Connecting of Video Cables71

3. STORING

Storing73

4. OPERATION PROCEDURE

Presentation by Using Documents, Films, etc.74
 Presentation using optional SD card (Option)75
 Presentation using the supplied software
 with the USB-connected PC78
 Transferring the images from the SD card
 into the USB-connected PC79
 Shooting off the stage80

5. VARIOUS FUNCTIONS AND OPERATIONS

Lighting81
 Zoom82
 Image Selection83
 Input image signal that can be output from the video
 output terminal [VIDEO OUT] into the analog RGB
 input terminal [RGB IN]84
 Focus85
 Auto Focus85
 Manual Focus86
 Brightness Adjustment87
 Auto Brightness Adjustment87
 Manual Brightness Adjustment87
 State Presetting88
 Presetting88
 Calling88

CONTENTS

6. RS-232C SPECIFICATIONS

Setting Up89

Cable Connection.....89

Data Format Specification.....90

 Operation Command (PC → This product).....90

 Response Data Format (This product → PC).....90

Transmission Specifications91

UART Communication Format91

Connection93

7. TROUBLESHOOTING

Symptoms and Confirmation.....94

Replacement of Lighting Lamp (Fluorescent Lamp).....94

8. SPECIFICATIONS

General95

Main Camera96

Lighting97

Supplied Accessories97

PART NAMES
AND
FUNCTIONS

SETTING UP

STORING

OPERATION
PROCEDURE

VARIOUS
FUNCTIONS
AND OPERATIONS

ABOUT
RS-232C

TROUBLESHOOTING

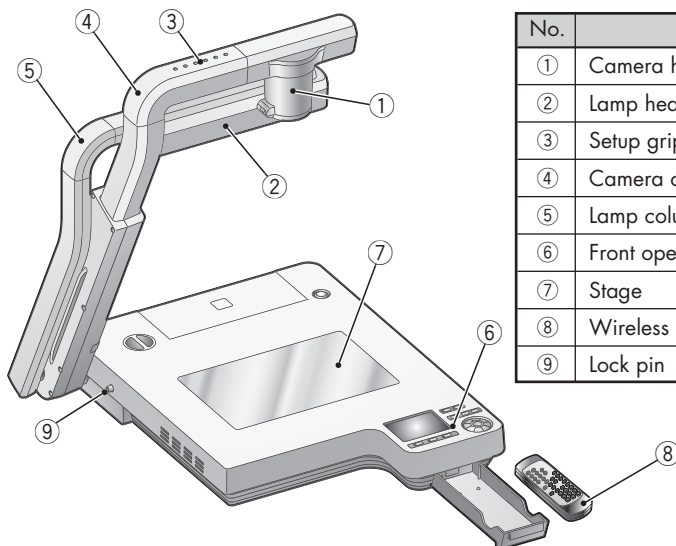
SPECIFICATIONS

1 PART NAMES AND FUNCTIONS

Name of Each Part

■ Appearance

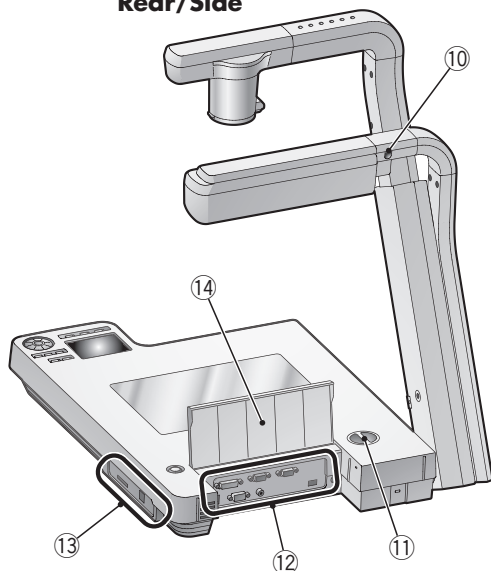
Front




Front

No.	Name
①	Camera head
②	Lamp head
③	Setup grip
④	Camera column
⑤	Lamp column
⑥	Front operating panel P.60
⑦	Stage
⑧	Wireless remote control P.66
⑨	Lock pin

Rear/Side

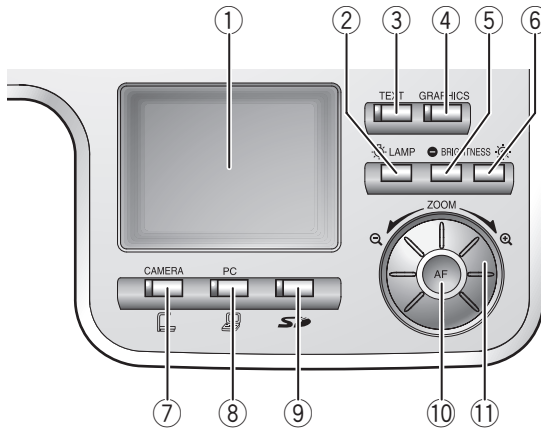


Rear/side

No.	Name
⑩	Infrared sensor The infrared sensor is also available on the front side.
⑪	Safety lock knob P.69
⑫	Rear panel P.61
⑬	Side panel P.62
⑭	Cord cover Open this cover when connecting/disconnecting a cord.  When carrying this product, do not hold this cord cover.

Functions

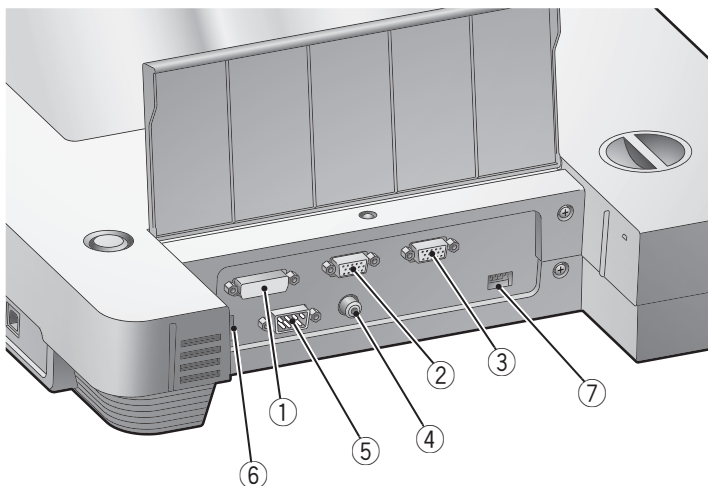
■ Front Operating Panel






* Hereinafter the menu items to be displayed/selected on the monitor or projection screen are referred to as "OSD (On-Screen Display)".

Name		Function
①	LCD panel	To display the output image and the OSD
②	LAMP (Lamp)	To switch the illumination P.81
③	TEXT (Text mode)	To make B&W images of letters or lines sharp in contrast. Use this button to display materials such as documents.
④	GRAPHICS (Color document)	To display color objects such as figures and photos
⑤	BRIGHTNESS (Brightness)	(Light) To lighten the camera image P.87
⑥		(Dark) To darken the camera image P.87
⑦	CAMERA (Camera)	To switch the output image to the camera image P.83
⑧	PC (RGB IN video)	To switch the output image to the RGB IN image P.83
⑨	(SD mode)	To switch the output image mode to the SD mode P.83
⑩	AF (Auto Focus)	To focus the camera automatically P.85
⑪	ZOOM (Zoom)	To operate the zoom function by turning the dial P.82

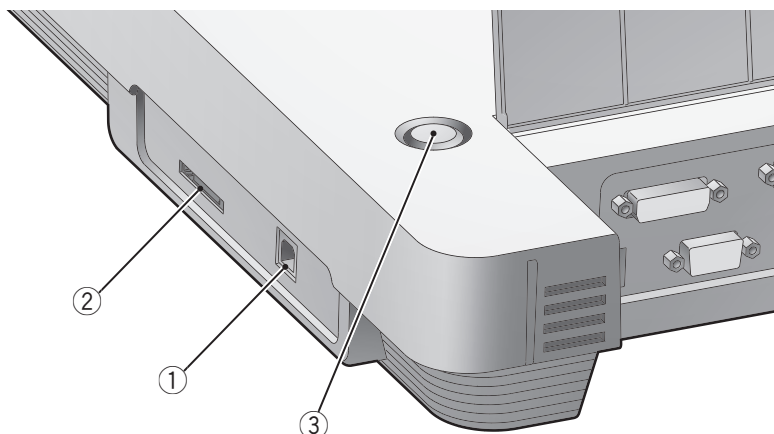
■ Rear Panel






	Name	Function	Image whose display is selectable with image select button																											
①	DVI OUT (DVI Output Terminal)	To output digital video signal to the projector, the PC monitor or other DVI input device P.71	Camera image SD mode																											
②	RGB OUT (Analog RGB Output Terminal)	To output analog video signal to the projector, the PC monitor or other RGB input device P.71	Camera image [RGB IN] image SD mode																											
③	RGB IN (Analog RGB Input Terminal)	Input image is output from the analog RGB output terminal or the video out terminal when RGB IN () is selected with image select button P.72																												
④	VIDEO OUT (Composite Video Output Terminal)	To output image from the RCA pin-jack terminal to the NTSC/PAL-system monitor (e.g., TV monitor) P.72	Camera image [RGB IN] image * SD mode																											
⑤	RS-232C (RS-232C Terminal)	To control the main unit from a PC through the RS-232C cable P.89																												
⑥	12VDC IN (Power Socket)	Socket for the AC adapter																												
⑦	(DIP Switch)	To execute the following switching: [A] and [B] keys: Switch the resolution of the DVI and analog RGB output <table border="1" data-bbox="330 1268 599 1380"> <thead> <tr> <th>Settings</th> <th>[A] key</th> <th>[B] key</th> </tr> </thead> <tbody> <tr> <td>SXGA</td> <td>0</td> <td>0</td> </tr> <tr> <td>XGA</td> <td>1</td> <td>0</td> </tr> <tr> <td>720p</td> <td>0</td> <td>1</td> </tr> <tr> <td>(SXGA)</td> <td>1</td> <td>1</td> </tr> </tbody> </table> [C] key: Switches the VIDEO output type <table border="1" data-bbox="621 1220 868 1292"> <thead> <tr> <th>Settings</th> <th>[C] key</th> </tr> </thead> <tbody> <tr> <td>NTSC</td> <td>0</td> </tr> <tr> <td>PAL</td> <td>1</td> </tr> </tbody> </table> [D] key: Switches the VIDEO screen size <table border="1" data-bbox="621 1332 868 1396"> <thead> <tr> <th>Settings</th> <th>[D] key</th> </tr> </thead> <tbody> <tr> <td>Over scan</td> <td>0</td> </tr> <tr> <td>Under scan</td> <td>1</td> </tr> </tbody> </table>  Display of Rear Panel  When switching the DIP switch key settings, be sure to turn OFF the power supply to the main unit.	Settings	[A] key	[B] key	SXGA	0	0	XGA	1	0	720p	0	1	(SXGA)	1	1	Settings	[C] key	NTSC	0	PAL	1	Settings	[D] key	Over scan	0	Under scan	1	
Settings	[A] key	[B] key																												
SXGA	0	0																												
XGA	1	0																												
720p	0	1																												
(SXGA)	1	1																												
Settings	[C] key																													
NTSC	0																													
PAL	1																													
Settings	[D] key																													
Over scan	0																													
Under scan	1																													

* [Video Out] → [Camera & SD] on the OSD skips [RGB IN] image.

■ Side Panel



	Name	Function
①	USB (Compliant with 2.0)	To enable the image transfer or the main unit control by using the utility software on the supplied CD-ROM when the camera is connected to the PC 
②	 (SD Card Slot)	To insert an SD card To remove the SD card, push it in once 
③	Main Switch	To turn ON/OFF the power supply

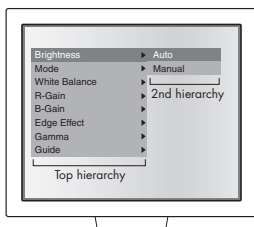
OSD (On-Screen Display)

The menu items displayed/selected on the monitor or the projection screen are referred to as "OSD (On-Screen Display)".

When the **[MENU]** button on the wireless remote control is pressed, the OSD menu appears on the monitor screen. (When this **[MENU]** button is pressed again, the OSD menu disappears.)

Move to the item to be set by pressing the **[▲ ▼ ◀ ▶]** direction buttons on the wireless remote control, and press the **[ENTER]** button to fix the setting. When the **[◀]** direction button is pressed, the OSD menu hierarchy is traced back. When the same button is pressed on the first hierarchy, the OSD menu disappears.

Sample image of the top and 2nd hierarchies



■ Camera Mode (Menu when camera image is in display)

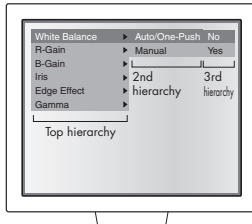
Top hierarchy	Name 2nd hierarchy	Function
Brightness (Brightness)	Auto ✓	To vary the degree of brightness automatically according to the object P.87
	Manual	To fix the image brightness to any level P.87
Mode (Mode)	Text3	Text1, Text2 and Text3 are used to display B&W characters and documents sharply. The larger the number affixed to Text is, the larger the effect is.
	Text2	
	Text1 ✓	Graphics is used to display color figures and photographs cleanly. Only when Graphics is selected, Edge Effect and Gamma can be set.
	Graphics	
White Balance (White Balance)	Auto ✓	To set the white balance to automatic following
	One-Push	To set the white balance to fix
	Manual	To adjust the red intensity and the blue intensity manually
R-Gain	(Displayed in level bar form)	To adjust the red intensity when the white balance is set to manual
B-Gain	(Displayed in level bar form)	To adjust the blue intensity when the white balance is set to manual
Edge Effect (Edge Effect)	3	This can be set only when the mode is set to Graphics. Edge enhancement is provided to the image to make it sharp. The larger this number is, the larger the effect is
	2	
	1 ✓	
	Off	
Gamma (Gamma)	High	To set the gamma curve when the mode is set to Graphics
	Normal ✓	The grayscale can be varied as you like.
	low	
USB Mode (USB Mode Select)	Mass Storage (Transfer)	To transfer the data from an SD card into the USB-connected PC P.79
	Application (Application) ✓	To control the main unit from the USB-connected PC or transfer image into the PC P.78
Guide (Guide)	On ✓	To set whether the operation status of the main unit should be displayed.
	Off	
Video Out (Video Output Set)	All Mode (All mode) ✓	To output the [VIDEO OUT] terminal signal according to all video switching
	Camera & SD (Image of Camera & SD only)	To limit the switching of the [VIDEO OUT] terminal output to the camera video and the SD mode
Call (Setup call)	Default	To reset to the default factory-setting (Excluding USB Mode and Flickerless)

Name		Function
Top hierarchy	2nd hierarchy	
Flickerless (Flicker compensation)	60Hz	To reducer fluorescent lamp flicker due to power supply frequency
	50Hz	

* [✓] indicates the factory default settings. The factory default settings of Flickerless vary according to the destination. The settings of USB Mode and Flickerless retain the last set state.

OSD (On-Screen Display) (Continued)

Sample image of the 1st, 2nd and 3rd hierarchies



■ SD Mode (Menu when image stored in an SD card is in display)

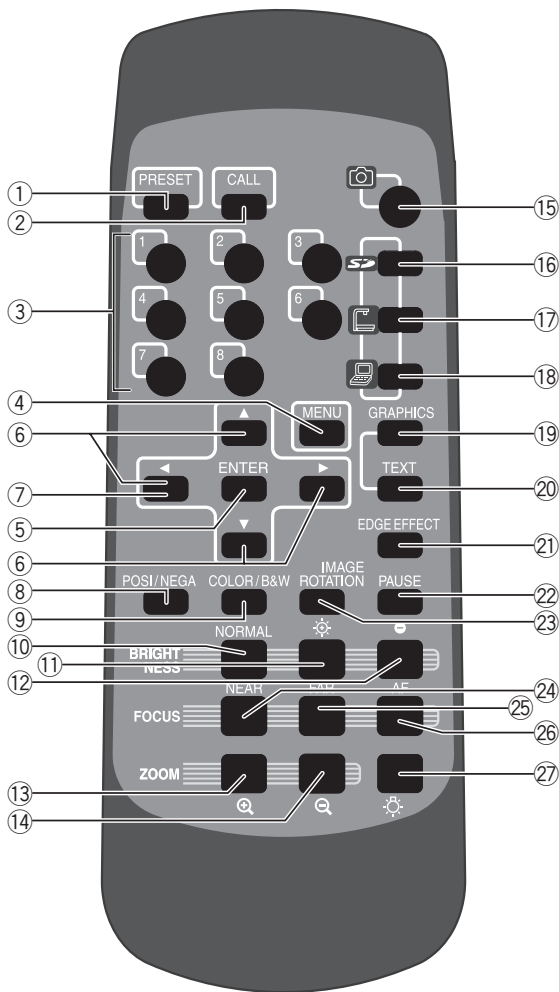
Name			Function
Top hierarchy	2nd hierarchy	3rd hierarchy	
Delete (Delete)	Current (Selected Image)	No	To cancel the delete
		Yes	To delete the image in display on the full screen or the image selected from the split screen. Locked image can not be deleted.
	All (All images)	No	To cancel the delete
		Yes	To delete all images
Lock (Lock)	Current (Selected image)		To lock the image in display on the full screen or the image selected from the split screen. Can set the image not to be deleted or select image for slide-show. On the split screen, a green frame appears on the locked image.
		All (All Images)	To lock all image files. Can select the delete-protected image or the image to be displayed on the slide show
Unlock (Lock Release)	Current (Selected Image)		To release the lock of the image in display on the full screen or the image selected from the split screen
		All (All Images)	To release the lock of all image files
Format Media (Initialize)	Format (Initialize)	No	To cancel the format
		Yes	To format the SD card Since all records in the SD card will be cleared, use this function carefully.

Name			Function	
Top hierarchy	2nd hierarchy	3rd hierarchy		
Slide Show Settings (Slide Show Set)	Interval (Interval of Image Feed)	3 Sec	✓	To set the interval of slide show until displaying the next image from 3 to 30 sec
		5 Sec		
		10 Sec		
		15 Sec		
	Effect (Effect of Image Feed)	30 Sec		
		Left to right		To slide from left to right
		LT to RB		To slide diagonally from left top to right bottom
		RT to LB		To slide diagonally from right top to left bottom
	Select (Object File)	None	✓	To show no visual effect
		All	✓	To set the slide-show objects to all displayable images in an SD card
	Order (Order of Image Feed)	Locked Only		To set the slide-show objects only to the locked image files
Forward		✓	To give slide show in order of file name serial No. from the smallest to the largest	
Repeat (Repeat)	Backward		To give slide show in order of file name serial No. from the largest to the smallest	
	Off	✓	To set whether the slide show should be played repeatedly or not	
On				
Start Slide Show (Slide Show Start)			To start the slide show	
Display (Display)	Single		To set the number of the images in an SD card to be displayed on the split screen	
	3×3	✓		
	4×4			











* [✓] indicates the factory settings.

Wireless Remote Control

PART NAMES
AND
FUNCTIONS



	Name	Function
①	PRESET (State Save)	To save the current setting state of the unit Use this function together with the memory No. P.88
②	CALL (State Call)	To call the setting state Use this function together with the memory No. P.88
③	(Memory No.)	To indicate the memory No.

		Name	Function	
④	Operation)	MENU (Menu)	To display/cancel the OSD	P.63
⑤		ENTER (Input)	To fix the OSD item	P.63
⑥		▲ ▼ ◀ ▶ (Directions)	To select the OSD item, and scroll the LCD monitor when the digital zoom is used	P.63
⑦		◀ (Menu Cancel)	To cancel the OSD from the screen when the top OSD item is resumed	P.63
⑧	POSI/NEGA (Posi/Nega)		To switch the posi/nega of the camera image	
⑨	COLOR/B&W (Color/Black and White)		To switch the Color/Black and White of the camera image Use this function to make the black-and-white document easy-to-read	
⑩	BRIGHTNESS (Brightness adjustment)	NORMAL (Normal)	To return the automatic brightness adjustment level to the standard level	P.87
⑪		 (Bright)	To brighten the camera image	P.87
⑫		 (Dark)	To darken the camera image	P.87
⑬	ZOOM (Zoom)	 (Telescopic)	To zoom in	P.82
⑭		 (Wide-angle)	To zoom out	P.82
⑮	 (Image Save)		To save the image in an SD card	
⑯	 (SD mode)		To switch the output image mode to the SD mode	P.83
⑰	 (CAMERA)		To switch the output image to the camera image	P.83
⑱	 (PC)		To switch the output image to the RGB IN image	P.83
⑲	GRAPHICS (Color documents)		To switch the mode to Graphics To display color objects, such as figures and photos	
⑳	Text (Text Mode)		To switch the mode to Text1 To sharpen the image with black-and-white characters and lines Use this function to shoot the document or the like	
㉑	EDGE EFFECT (Edge Enhancement)		To switch the 1/2/3/OFF of the edge enhancement The edge effect is applied to the image for sharpening This function is enabled when the mode is set to Graphics	
㉒	PAUSE (Pause)		To pause the camera image. When this button is pressed again, the moving image is restored  <i>The paused image cannot be processed in any other way.</i>	
㉓	IMAGE ROTATION (Image Turn)		To turn the camera image by 180°	
㉔	FOCUS (Focus)	NEAR	To move the focus near	P.86
㉕		FAR	To move the focus far	P.86
㉖		AF (Auto Focus)	To focus the camera automatically	P.85
㉗	 (Lamp)		To switch ON/OFF the lighting	P.81

■ Receivable Range



Point the infrared emitting part of the wireless remote control at the infrared sensor of the main unit, and press the button for desired function.

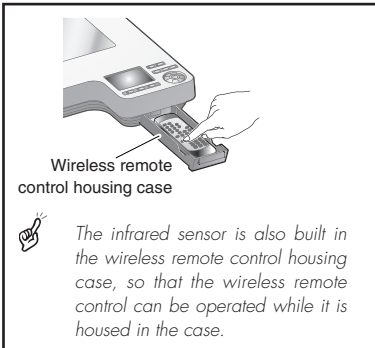
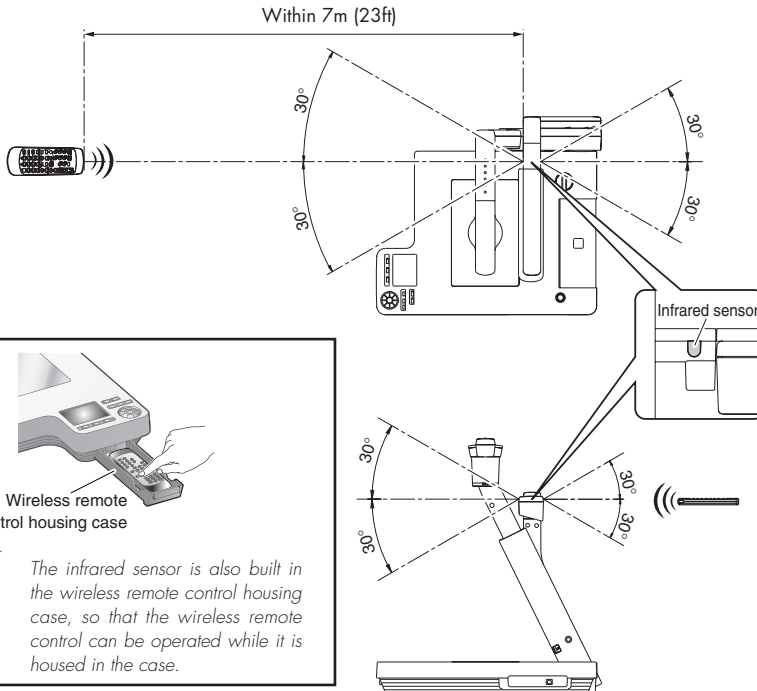
The receiving range may be reduced when the main unit is placed in direct sunlight, near an inverter fluorescent lamp or in any other unfavorable surroundings.

Depending on the conditions of fluorescent lamps, etc., the sensor may fail to receive the infrared light. In such case, relocate the main unit, or take other countermeasures.

• Receivable range

Distance: Approx. 7m (23ft) or less from the front of the infrared sensor

Angle: Approx. 30° or less to the rightward, leftward, upward and downward, respectively, from the infrared sensor



■ Battery Change

Remove the battery case cover on the rear side by pressing down the [↓ OPEN] mark part in the direction as indicated by the arrow.

Install 2 batteries (Type R03, AAA) in the battery case in the direction as indicated.



Install the batteries with the correct polarity.



Although the battery life depends on the operating conditions and battery type, the batteries are recommended to be changed once a year.

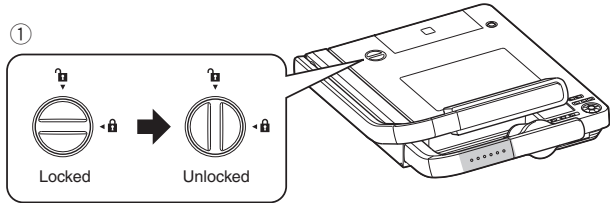


The supplied batteries are only for use in initially confirming the operation of this product. Therefore, it is not guaranteed that these batteries remain alive for the validated period.

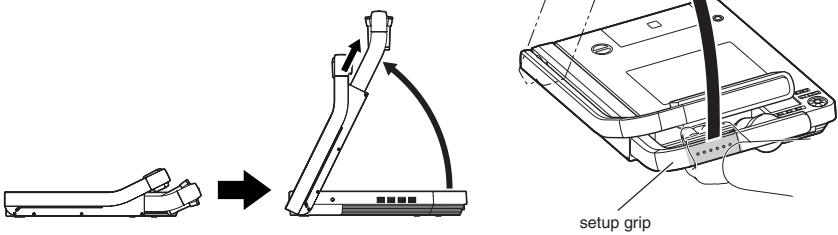
2 SETTING UP

Setting Up

- (1) Release the lock by turning the security lock.



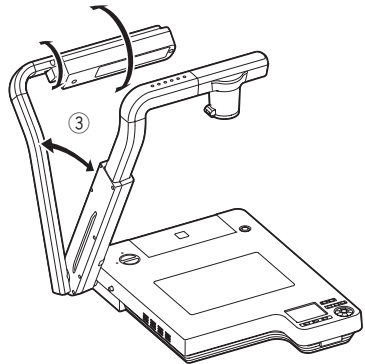
- (2) As shown in the right figure, hold the setup grip and raise the camera column. At this time, the camera head slides up in conjunction with the rise of the camera column. The lamp column also rises together.



- (3) If necessary, move the lamp column and the lamp head to an appropriate position as shown in the right figure.



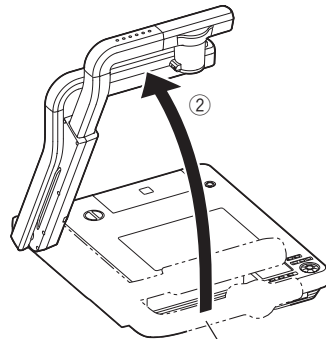
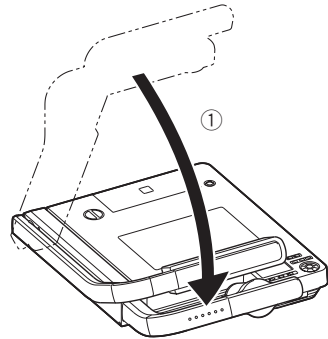
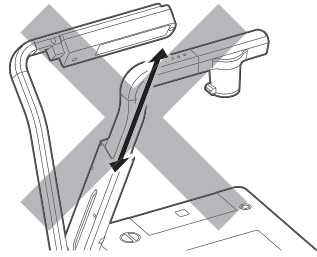
When using a glossy paper, the document could reflect the illumination to disable normal display. In this case, adjust the lamp position to a position in which such reflection can be avoided.





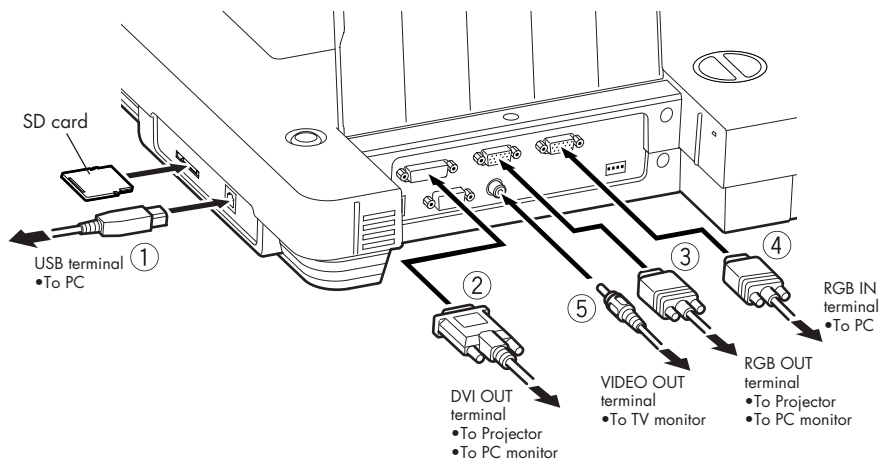
If the camera column is pulled or pushed forcibly, the camera might be pushed out of position by a function not to break mechanical parts, and the camera image might be displaced from the display center. In this case, initialize the camera position as follows:

- (1) Fold the camera column on the stage. When the camera column is folded in the storage position, the camera position is initialized.
- (2) Then, raise the camera column.



setup grip

Connecting of Video Cables



To protect this product and the peripheral units to be connected to this product, be sure to turn OFF the power supply to all units beforehand.

When plugging in/out the connection cable, hold the plug part of the cable.

① Connecting to the PC with a USB cable

Connect a USB cable to the [USB] terminal on the side panel.

The USB cable compliant with USB2.0 is recommended.

If you plug into a USB cable with power on, PC may not recognize this product.

Depending on the USB environment used by the PC or the influence of peripheral units, the video transfer could be disturbed.

This does not guarantee the normal operation in any environment.

② Connecting to the unit having the DVI input terminal

Connect the DVI cable to the [DVI OUT] terminal on the rear panel.

③ Connecting to the unit having the analog RGB input terminal

Connect the analog RGB cable to the [RGB OUT] terminal on the rear panel.

The display position may be displaced from the center of the screen. In such case, adjust the horizontal and vertical positions manually from the connected device.

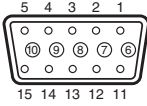
Vertical stripes may appear on the LCD projector screen or the monitor screen. This phenomenon can be mitigated by adjusting the dot clock manually from the connected device.

④ **Connecting to the unit having the analog RGB output terminal**

Connect the analog RGB cable to the [RGB IN] terminal on the rear panel.

- Specifications of the analog RGB input terminal of this product

Signal allocation



DSUB 15P shrink terminal (Female)

Video signal :

Analog 0.7V(p-p) 75Ω terminated

Horizontal synchronized signal :

TTL level (Positive/negative polarity)

Vertical synchronized signal :

TTL level (Positive/negative polarity)

Pin assignment

Pin No.	Name	Pin No.	Name	Pin No.	Name
1	Video signal (Red)	6	GND (Red)	11	GND
2	Video signal (Green)	7	GND (Green)	12	N.C
3	Video signal (Blue)	8	GND (Blue)	13	Horizontal synchronized signal
4	N.C	9	N.C	14	Vertical synchronized signal
5	GND	10	GND	15	N.C

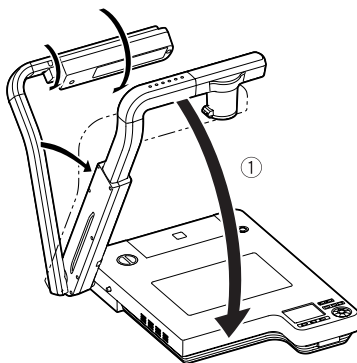
⑤ **Connecting to the unit having the composite video input terminal**

Connect the video cable with RCA pin plug to the [VIDEO OUT] terminal on the rear panel.

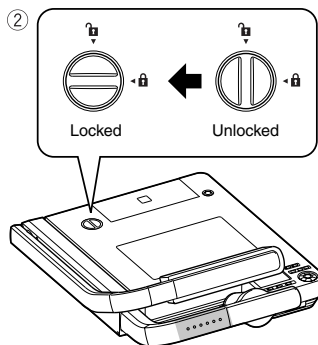
3 STORING

Storing

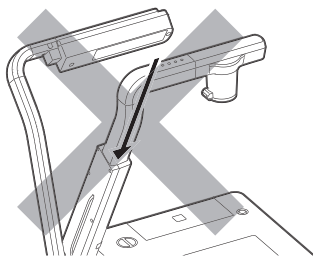
- (1) Return the lamp to the original position. Then, hold the setup grip of the camera column and fold the camera column. At this time, the camera head slides down and the lamp column also folds.



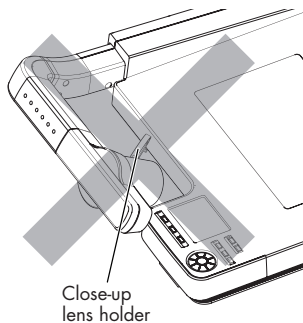
- (2) Lock the camera column and the lamp column by turning the security lock.



Do not force down the camera column and the lamp column when folding them.



Do not fold the camera column when the close-up lens holder remains open, or the close-up lens could be damaged.

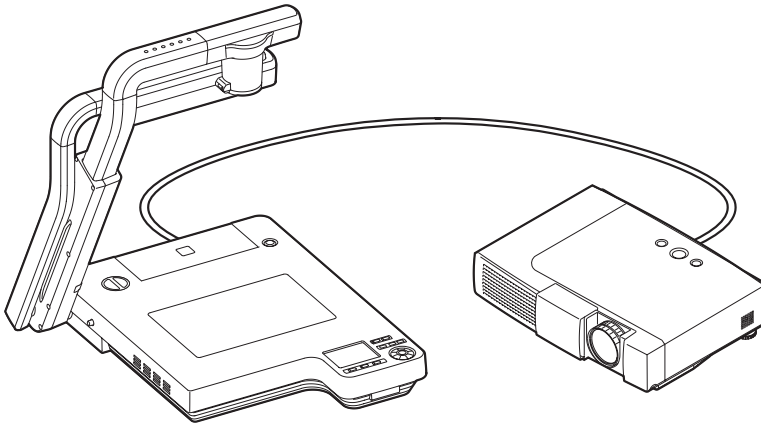


4 OPERATION PROCEDURE



When connecting this product and the peripheral units, be sure to turn OFF the power supply to all units beforehand.

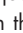

Presentation by Using Documents, Films, etc.



① Setting the main unit

Set the main unit as show in the above figure, connect the main unit to the projector or the PC monitor, and then turn ON the power supply.



② Adjusting the size


Place an object on the stage, and adjust the position of the object with the zoom dial **[ZOOM]** on the front operating panel or the zoom button ([], []) on the wireless remote control so that the part of the object to be viewed can fit the screen size. [P.82](#)

③ Adjusting the focus

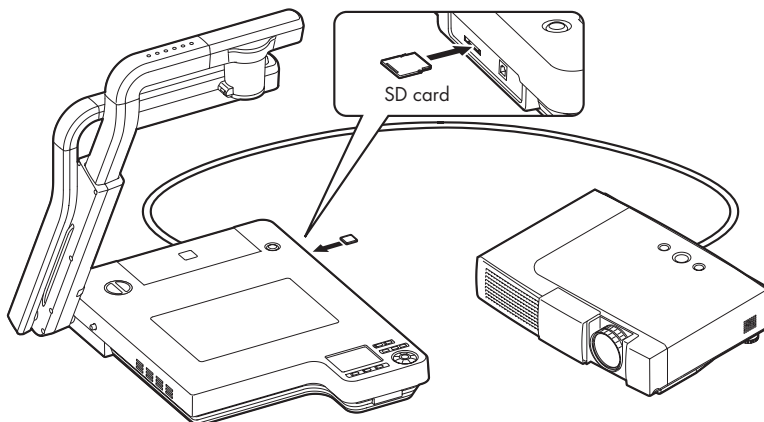
Press the **[AF]** button on the front operating panel or wireless remote control to focus the camera on the object. [P.85](#)

④ Adjusting the brightness











Press the **[BRIGHTNESS •  • ]** button on the front operating panel or wireless remote control to adjust the brightness of the image by the lens iris. [P.87](#)

When the illumination is switched by pressing the []: **LAMP]** button, the light distribution according to the material can be achieved. [P.81](#)

Presentation using optional SD card (Option)



OPERATION
PROCEDURE

-  Before starting the operation, insert an optional SD card (Option) into the SD card slot on the side panel. Push it again to remove the SD card.
-  When loading or unloading the SD card or the power is turned off, be sure to select the camera image by pressing the camera button  on the front operation panel or wireless remote control and confirm that the output image has been turned to the camera image beforehand. Otherwise, the SD card contents could be broken or failure could be caused to the camera.
-  The SD card is composed of parts vulnerable to static electricity. Therefore, due to the impact of static electricity, the SD card could malfunction or its contents could be destroyed. When handling the SD card, take care to avoid static electricity.
-  The image data viewable on this camera is limited to the image data saved in this camera and the image data converted on the conversion software attached to this camera.
-  If the data of the system that is not compatible with this product, a black or gray image will be displayed.
-  If the image conversion to the image in the SD card is tried without inserting the SD card, a black image will be displayed.
-  After using the SD card, do not leave it inside this product but be sure to remove it.
-  As an SD card, Panasonic 256MB or 512MB is recommended.
The resolutions of the image to be stored are 1280 × 1024 (SXGA output), 1280 × 720 (HDTV output) and 1280 × 960 (XGA output).
This product can store images up to 2048 pcs.
-  ELMO is not liable for any damage caused by the loss of the data in the SD card or passive damage.

Presentation using optional SD card (Option) (Continued)

■ Saving the Image

- (1) Press the [] button on the front operating panel or wireless remote control to switch the image mode to the Camera mode.
- (2) Press the [] button on the wireless remote control.
- (3) When the [] mark lights up on the screen, the image saving starts. When this mark goes out, the image saving is completed.



Be sure to try shooting and confirm the normal saving of the image beforehand. If the image should be unable to be saved normally due to some problem with this camera or the SD card, we are not liable to compensate for such failure.



The [] mark on the screen is displayed only when the [Guide] menu is set to ON.



When the SD card is write-protected, the image cannot be saved in the SD card.



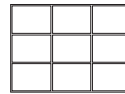
When the capacity of the SD card becomes full and no more images can be saved, the [] mark does not light up. Then, delete unnecessary images or use a new SD card.



When the SD card is in the read/write mode, do not remove the SD card, or failure could occur with this product.

■ Displaying the image

- (1) When the [] button on the operating panel or the wireless remote control is pressed to switch the mode to the SD mode, the images saved on the SD card are displayed on the split-screen. The number of divisions can be changed by changing the OSD [Display] setting, which is 3×3 by default.
- (2) Move the selection frame (cursor) of the recorded image to the desired image by using the direction buttons [] on the wireless remote control, and press the **[ENTER]** button on the wireless remote control to display the selected image on the full-screen.



3 × 3



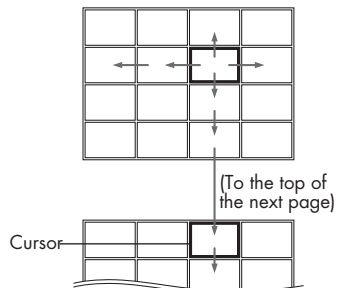
4 × 4

- When the images are displayed on the split screen (3×3, 4×4)

Move the selection frame (cursor) of the recorded image to the desired image by using the direction buttons [] on the wireless remote control, and press the **[ENTER]** button on the wireless remote control to display the selected image on the full-screen. When the direction button [] is held down, the selection frame (cursor) keeps downward movement as shown in the right figure.

- When the images are displayed on the full-screen
When the direction button [] or [] on the wireless remote control is pressed, the next image is displayed. When the direction button [] or [] is pressed, the previous image is displayed again.

The image displayed on the full-screen can be zoomed in/out by using the zoom dial on the front operating panel or the zoom button on the wireless remote control. When the image is zoomed in, the displayed part of the image can be scrolled by using the direction buttons [].



■ Deleting the Image

- (1) Press the [**SD**] button on the front operating panel or wireless remote control to display the images stored in the SD card in the full screen display mode or the divided screen display mode.
- (2) Select the image to be deleted by using the direction buttons [**▲ ▼ ◀ ▶**] on the wireless remote control.
- (3) Press the [**MENU**] button on the wireless remote control, and select the [Delete] menu of the OSD. To delete only the selected image, select [Current]. To delete all images, select [All].

When [Yes] is selected by pressing the [**ENTER**] button on the wireless remote control, the deletion is executed. (To cancel the deletion, select [No].)

■ Slide show

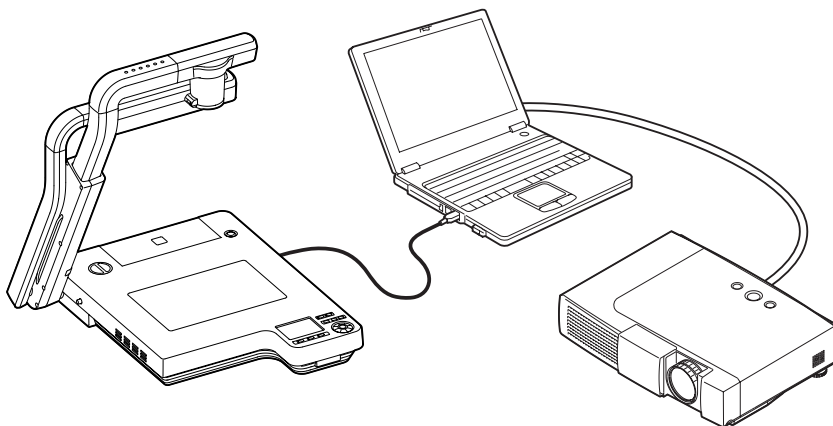
- (1) Press the [**SD**] button on the front operating panel or wireless remote control, and switch the output image mode to the SD mode.
- (2) Display the OSD by pressing the [**MENU**] button on the wireless remote control. When the [**START SLIDE SHOW**] menu is selected, the slide show starts.
- (3) The direction buttons on the wireless remote control are disabled by selecting the [**ENTER**] button.
 - [Effect] (visual effect), [Interval] (display interval) and [Repeat] (repetition) can be set from the [Slide Show Settings] menu of the OSD.

■ Formatting the SD card

When the SD card is formatted, insert the SD card into this product, and execute formatting.

- (1) Press the [**SD**] button on the front operating panel or wireless remote control, and switch the output image mode to the SD mode.
- (2) Display the OSD by pressing the [**MENU**] button on the wireless remote control, and select [Format Media].
- (3) Now, [Format] starts.

Presentation using the supplied software with the USB-connected PC



Set [USB Mode] to [Application] on the OSD.

"Utility Software" is available from the supplied CD-ROM supplied from us.

"Utility Software" contains PC link software "Image Mate for Presentation" and TWAIN driver "ELMO TWAIN DS" (VHN) to allow the following operation:

- Transfer of moving/still images to the PC
- Operation of this product from the PC

A PC that Microsoft Windows2000 (SP4 or newer) or XP (SP2 or newer) has been installed is recommended.

For details, refer to the "Utility Software" Installation Manual and the help folder with the software.



When the front operating panel or the wireless remote control is in operation, do not connect/disconnect the USB cable, or malfunction will be caused to this product.



The USB cable compliant with USB2.0 is recommended.



When this camera is connected with the PC with a USB cable, the camera image frame rate lowers.

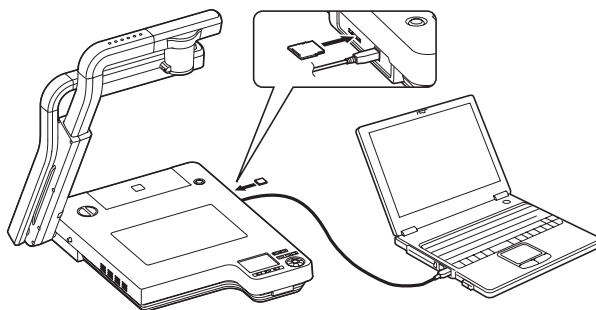


Depending on the USB environment used by the PC or the influence of peripheral units, the video transfer could be disturbed.



This does not guarantee the normal operation in any environment.

Transferring the images from the SD card into the USB-connected PC



Set [USB Mode] to [Mass Storage] on the OSD.

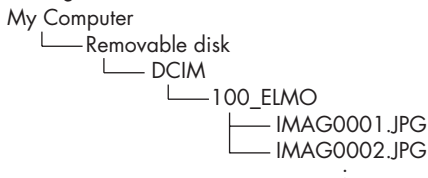
When this product is USB-connected to the PC, image data in the SD card can be transferred into the PC. The Operating System (OS) of the connected PC should be Microsoft Windows 2000(SP4 or newer)/XP(SP2 or newer).

- (1) Turn ON the power supply to this product and to the PC.
- (2) Connect this product to the PC with the supplied USB cable.

When this product is connected to the PC for the first time, the required drivers are installed automatically due to the plug-and-play function of Windows. For the second time and thereafter, the drivers are no longer installed.

- (3) This product is recognized as a removable disk. The image data in an SD card can be viewed by using the viewer software of the PC.

- The image data are stored in JPEG format in the following folders:



An SD card set in this product cannot be formatted or written, deleted, locked, and unlocked with image data from the PC.

The image data cannot be recorded with the correct date and time.

When the front operating panel or wireless remote control is in operation, do not connect/ disconnect the USB cable, or malfunction will be caused to this product.

Do not switch [USB Mode] on the OSD when this product is in USB-connection.

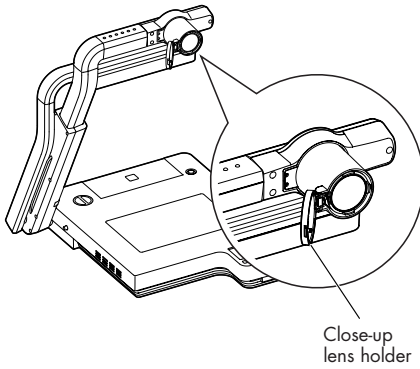
The USB cable compliant with USB2.0 is recommended.

When this camera is connected with the PC with a USB cable, the camera image frame rate lowers.

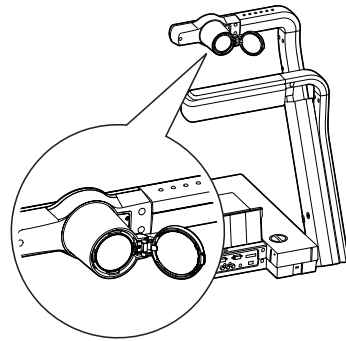
Depending on the USB environment used by the PC or the influence of peripheral units, the video transfer could be disturbed.

This does not guarantee the normal operation in any environment.

Shooting off the stage



<Forward shooting>

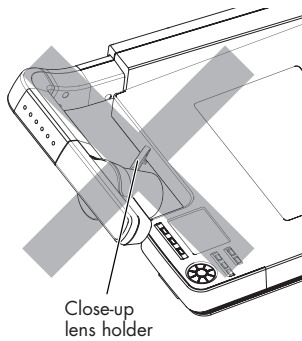


<Backward shooting>

When the camera head is set in the horizontal direction, walls, distant views, etc. can be shot. When the object is distant, open the close-up lens holder.



Do not fold the camera column when the close-up lens holder remains open, or the close-up lens could be damaged.



When the camera head is set horizontally for shooting ahead of this camera, the image can be rotated automatically by 180°.

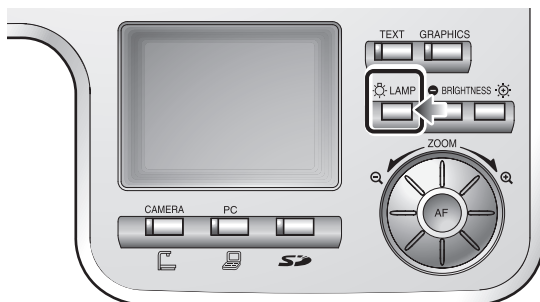


Shooting area when the close-up lens holder is opened:
 TELE (Telescopic): 500mm – ∞ from the zoom lens
 WIDE (Wide-angle): 100mm – ∞ from the zoom lens

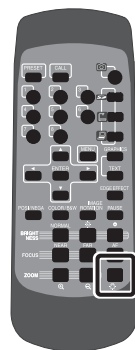
5 VARIOUS FUNCTIONS AND OPERATIONS

Lighting

Front operating panel



Wireless remote control



This camera is equipped with material illumination for presenting materials, such as printed matter, and base illumination for transparent materials, such as slide films and negative films.

When the [: **LAMP**] button on the front operating panel or wireless remote control is pressed, the fluorescent lamp lights up in 1 – 3 seconds.

- Each time the [: **LAMP**] button is pressed, the material illumination lights up → the base illumination lights up → both illuminations go out in this order.



Both the material illumination and the base illumination cannot be extinguished together.



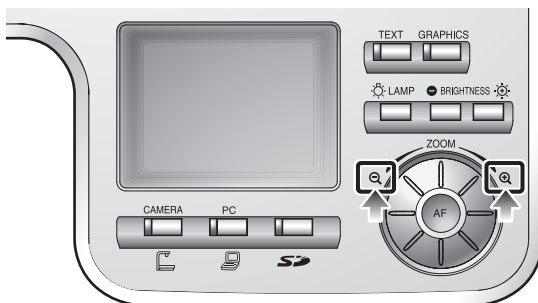
The illumination lamp helps obtain sharp display with good color rendering when it is used for a material surface with low brightness or for a three-dimensional object.

Wireless remote control

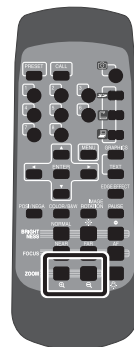


Zoom

Front operating panel



Wireless remote control



When the zoom dial [,] on the front operating panel is turned or the zoom button [,] on the wireless remote control is pressed, the document display range can be adjusted.

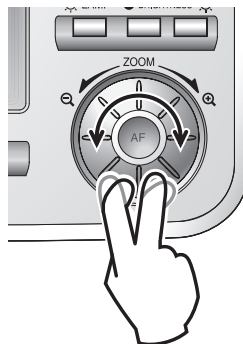
According to the zoom dial turning angle, the zooming speed varies in 3 steps (3-step speed change).

● **Zoom magnification in the Camera mode**

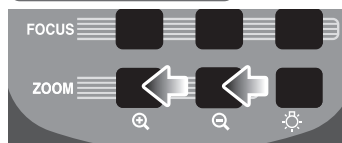
When the optical zoom is maximized (about 16x), the digital zoom is activated and the image can be zoomed in further up to 4x (about 64x combined with the optical zoom).

- Within the digital zoom range, the image quality is degraded.
- Within the digital zoom range, the zoom speed is locked.
- When the digital zoom is use, the LCD monitor can be scrolled by using the direction button [] on the wireless remote control.
- When the image is in transmission through the USB cable, the digital zoom speed get slow.

Front operating panel



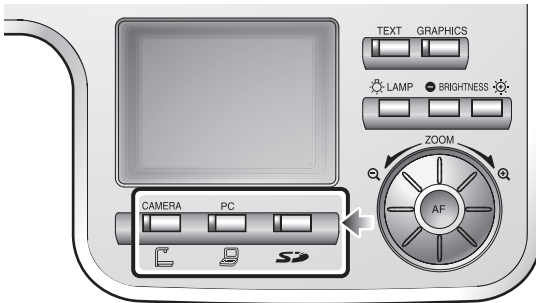
Wireless remote control



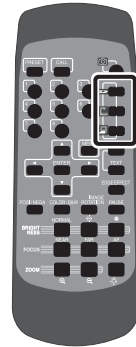
VARIOUS FUNCTIONS AND OPERATIONS

Image Selection

Front operating panel



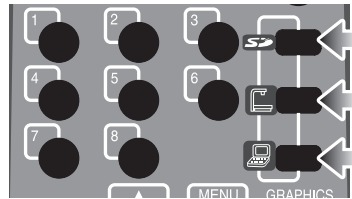
Wireless remote control



Each time the [], [] button and [] button on the front operating panel or wireless remote control are pressed, the image is switched among the camera image, the image inputted in the analog RGB input terminal [RGB IN] and the image stored in the SD card.

When the PC or other unit is connected to the analog RGB input terminal [RGB IN], the output image can be switched without spending time and labor exchanging the connection cables.

Wireless remote control



- The image from the DVI output terminal [DVI OUT] cannot be switched to [RGB IN] image. **P.61**
- The display mode of the image from the video output terminal [VIDEO OUT] cannot be switched when [Video Out] is set to [Camera & SD] on the OSD.
- If the image mode switching is tried to the SD mode when an SD card is not in this product, the screen will turn black.
- By setting [Guide] to [On] on the OSD, the setting contents are displayed on the screen.

VARIOUS FUNCTIONS AND OPERATIONS

■ Input image signal that can be output from the video output terminal [VIDEO OUT] into the analog RGB input terminal [RGB IN]

Signal Mode name	Frequency			Resolution (Number of lines)		Polarity of synchronized signal (P: Positive, N: Negative)
	Horizontal kHz	Vertical Hz	Pixel clock MHz	Horizontal	Vertical	
VGA1	37.861	84.889	31.500	640	350	P / N
VGA2	37.861	85.080	31.500	640	400	N / P
VGA3	37.927	85.039	35.500	720	400	N / P
VGA@60Hz	31.469	59.941	25.175	640	480	N / N
VGA@72Hz	37.861	72.809	31.500	640	480	N / N
VGA@75Hz	37.500	75.000	31.500	640	480	N / N
VGA@85Hz	43.269	85.008	36.000	640	480	N / N
SVGA@56Hz	35.156	56.250	36.000	800	600	P / P
SVGA@60Hz	37.879	60.317	40.000	800	600	P / P
SVGA@72Hz	48.077	72.188	50.000	800	600	P / P
SVGA@75Hz	46.875	75.000	49.500	800	600	P / P
SVGA@85Hz	53.674	85.061	56.250	800	600	P / P
XGA@60Hz	48.363	60.004	65.000	1024	768	N / N
XGA@70Hz	56.476	70.069	75.000	1024	768	N / N
XGA@75Hz	60.023	75.029	78.750	1024	768	P / P
XGA@85Hz	68.677	84.997	94.500	1024	768	P / P
SXGA1	67.500	75.000	108.000	1152	864	P / P
SXGA2	60.000	60.000	108.000	1280	960	P / P
SXGA3	85.938	85.003	148.500	1280	960	P / P
SXGA@60Hz	63.981	60.020	108.000	1280	1024	P / P
SXGA@75Hz	79.976	75.025	135.000	1280	1024	P / P
SXGA@85Hz	91.146	85.024	157.500	1280	1024	P / P
UXGA@60Hz	75.000	60.000	162.000	1600	1200	P / P
UXGA@65Hz	81.250	65.000	175.500	1600	1200	P / P
UXGA@70Hz	87.500	70.000	189.000	1600	1200	P / P
UXGA@75Hz	93.750	75.000	202.500	1600	1200	P / P
UXGA@85Hz	106.250	85.000	229.500	1600	1200	P / P
Mac 13	35.000	66.667	30.240	640	480	N / N
Mac 16	49.725	74.550	57.283	832	624	N / N
Mac 19	60.241	74.927	80.000	1024	768	N / N
Mac 21	68.681	75.062	100.000	1152	870	N / N
PC98	24.825	56.420	21.052	640	400	N / N



This product may not accommodate any signal other than those listed in the above table.



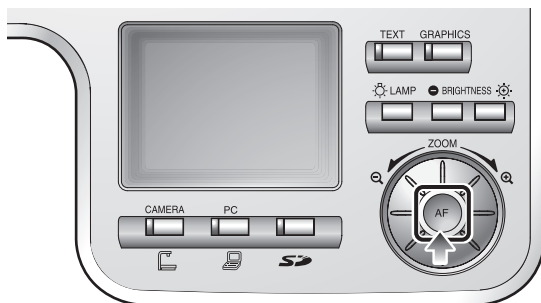
Depending on the input signal, the image may not be outputted in full size.



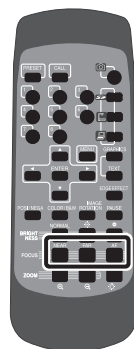
This product does not accommodate such synchronized signal as composite and SyncOnGreen.

Focus

Front operating panel



Wireless remote control



The focus on the object is adjusted.

■ Auto Focus

When the [AF] button on the front operating panel or wireless remote control is pressed, the camera is focused automatically. This product is of one-shot auto focus type. That is, once the camera is focused, the auto focus operation is released, and then focus position is maintained.



The objects listed below may not be brought into focus in the auto focus. In such case, use the manual focus mode.

- Objects having little contrast
- Objects with fine repeated patterns, such as lateral stripes and cross stripes
- Objects glittering or reflecting strong light
- Objects with bright background or excessive contrast
- Objects that are entirely dark
- Objects located near and far away at the same time
- Objects in motion



If the manual focus button [FOCUS • NEAR] or [FOCUS • FAR] on the wireless remote control is pressed when the auto focus is in operation, the auto focus operation will be cancelled.



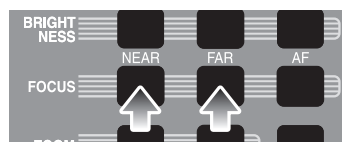
Limit of focus adjustment:

- With close-up lens
 - TELE (Telescopic) : 250 – 410mm (9.8 – 16.1 in) from close-up lens
 - WIDE (Wide-angle) : 85 – 410 mm (3.3 – 16.1 in) from close-up lens
- Without close-up lens
 - TELE (Telescopic) : 500mm – ∞ (19.7 in – ∞) from zoom lens
 - WIDE (Wide-angle) : 100mm – ∞ (3.9 in – ∞) from zoom lens

Wireless remote control



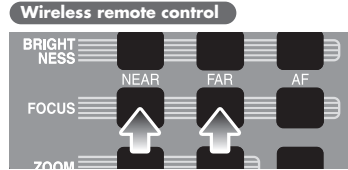
Wireless remote control



Manual Focus

When the focus button **[FOCUS • NEAR]** or **[FOCUS • FAR]** on the wireless remote control is pressed, the height on which the camera is focused changes.

This function is used for focusing the camera on any portion of a 3D object or the like.

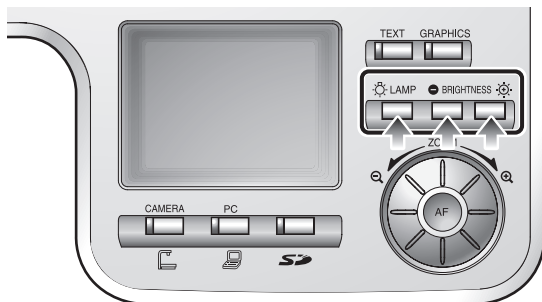


Limit of focus adjustment:

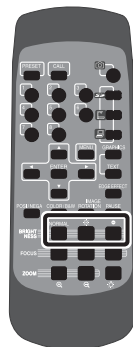
- With close-up lens
 - TELE (Telescopic) : 250 – 410mm (9.8 – 16.1 in) from close-up lens
 - WIDE (Wide-angle) : 85 – 410 mm (3.3 – 16.1 in) from close-up lens
- Without close-up lens
 - TELE (Telescopic) : 500mm – ∞ (19.7 in – ∞) from zoom lens
 - WIDE (Wide-angle) : 100mm – ∞ (3.9 in – ∞) from zoom lens

Brightness Adjustment

Front operating panel

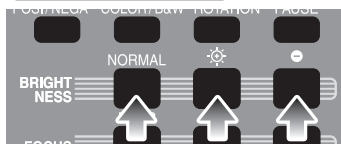


Wireless remote control



When the **[BRIGHTNESS • ☀ • ●]** button on the front operating panel or wireless remote control is pressed, brightness of the image is adjusted through the adjustment of the lens iris. Two adjustment modes are available for this adjustment. Each mode is set by the **[BRIGHTNESS]** item of the OSD.

Wireless remote control



■ Auto Brightness Adjustment

([Brightness] is set to [Auto] on the OSD.)

It is so set that the brightness to be tracked automatically can be adjusted.

When the **[☀]** button and **[●]** button on the front operating panel are pressed together or **[NORMAL]** is selected in **[BRIGHTNESS]** on the wireless remote control, the current settings are reset to the default settings.

■ Manual Brightness Adjustment

([Brightness] is set to [Manual] on the OSD.)

It is set so that the brightness can be locked to any level.

The default setting is [Auto] (Auto Brightness Adjustment).

In the Manual Brightness Adjustment, the brightness is locked and the change in the object brightness is not tracked.

When adjusting the brightness in the manual mode, pressing the **[BRIGHTNESS • ☀ • ●]** buttons on the front operation panel together or pressing the **[NORMAL]** button on the wireless remote control does not work.

When [Guide] is set to [On] on the OSD, the setting contents are displayed on the screen.

State Presetting

The setting position of this product can be saved/called. Up to 8 positions can be saved. The presets that can be saved are as follows:

- Current zoom field angle (Optical zoom range)
- Brightness status
- White Balance state
- R-Gain (When the white balance is set to Manual)
- B-Gain (When the white balance is set to Manual)
- Edge Effect settings (When Graphics mode is selected)
- Gamma value settings (When Graphics mode is selected)
- Lighting ON/OFF
- Color/B&W selection settings
- Image Rotation state
- Mode settings
- Posi/Nega settings



The saved state can be retained even if the power supply is turned OFF.



Rotated position cannot be saved to "Power On" setting. (Memory No.8 on remote control)

■ Presetting

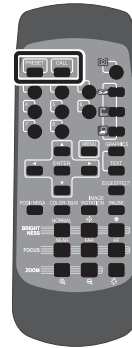
When the **[PRESET]** button on the wireless remote control is pressed and then "within 4 seconds", the memory number button on the wireless remote control is pressed, the present camera using status is memorized in the selected memory number.

When the **[PRESET]** button on the wireless remote control is pressed and then the memory number **[8]** button on the wireless remote control is pressed, the contents of this setting are called when the power is turned on the next time.

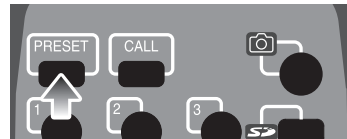
■ Calling

When the **[CALL]** button on the wireless remote control is pressed and then "within 4 seconds", the memory number button on the wireless remote control is pressed, the settings of the selected memory number are called. When [Call] → [Default] on the OSD are selected, the factory-set settings are called.

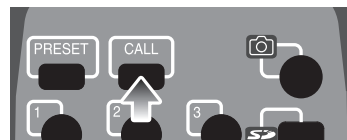
Wireless remote control



Wireless remote control



Wireless remote control



6 RS-232C SPECIFICATIONS

This product can be controlled from a PC connected to this product through the RS-232C terminal [RS-232C].

Setting Up

- 1 Connect this product to a PC with an RS-232C cable.



When using an RS-232C cable available on the market, make sure that pin connections are the same as below.



To protect this product and the PC, be sure to turn OFF the power supply to all units before starting the connection work.

- 2 Start the PC, and set the communication mode of the RS-232C to the communication mode of this product.



For the information how to set the communication mode of the RS-232C, refer to the instruction manual of the PC.

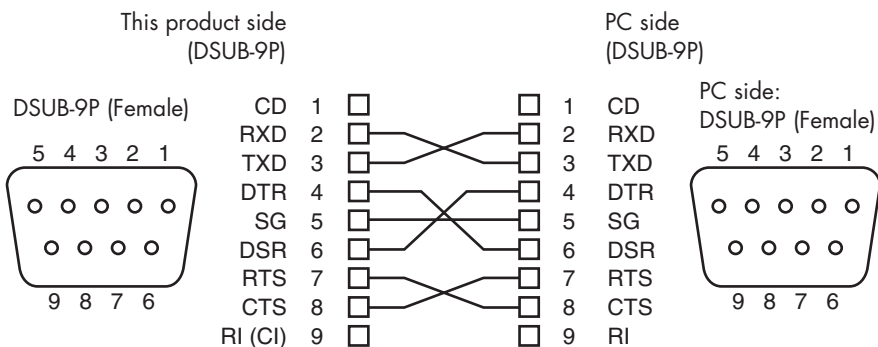
- 3 Start the PC program to operate this product.

- 4 Control through the RS-232C will start.



For communication control, be sure to take the above steps for settings.

Cable Connection



Data Format Specification

This command is executed in the form of 1-command/1-packet. The next command is not accepted until the previous processing is completed.

- The communication command always starts with STX (Start of Text), and ends with ETX (End of Text).
- If the communication format of command name is wrong, NAK (Negative Acknowledge) will be sent from this product as a result of failing to receive correctly.
- When communication format is received correctly, this product sends ACK (Normal Acknowledge).

■ Operation Command (PC → This product)

Each operation command is executed in ASCII code, and transmitted in a set of 7 bytes as follows:

(PC)	S T X	Command	Parameter	Data	E T X
------	-------------	---------	-----------	------	-------------

(This product) → ACK

■ Response Data Format (This product → PC)

All response data is transmitted as ASCII code, corresponding to the parameters in the operation command table.

- Status 0

S T X	Lighting	Input selection	Posi/Nega	Color/B&W	Camera Mode /SD Mode	Display	Pause	Flickerless	E T X
-------------	----------	-----------------	-----------	-----------	----------------------	---------	-------	-------------	-------------

- Status 2

S T X	Iris mode	Gamma selection	Image rotation	Edge effect	White balance	Text	Monitor output	USB Mode	E T X
-------------	-----------	-----------------	----------------	-------------	---------------	------	----------------	----------	-------------

- ROM Ver0 (MASTER)

S T X	V 56H	H 48H	N 4EH	* * H	* * H	* * H	E T X
-------------	----------	----------	----------	-------	-------	-------	-------------

- ROM Ver1 (SLAVE)

S T X	V 56H	H 48H	N 4EH	* * H	* * H	* * H	E T X
-------------	----------	----------	----------	-------	-------	-------	-------------

- ROM Ver2 (LENS)

S T X	V 56H	H 48H	N 4EH	* * H	* * H	* * H	E T X
-------------	----------	----------	----------	-------	-------	-------	-------------

- ROM Ver3 (MAIN) . . . Upper 6 bytes

S T X	* * H	* * H	* * H	* * H	* * H	* * H	E T X
-------------	-------	-------	-------	-------	-------	-------	-------------

- ROM Ver4 (MAIN) . . . Lower 4 bytes

S T X	* * H	* * H	* * H	* * H	20H	20H	E T X
-------------	-------	-------	-------	-------	-----	-----	-------------

Transmission Specifications

- Full duplex start-stop sync. mode
- Start bit : 1 bit
- Data bit : 8 bits
- Stop bit : 1 bit
- Parity bit : None
- X parameter : None
- Baud rate (Communication speed) : 9600bps

UART Communication Format

Commands, parameters and data are all transmitted in ASCII code.

Function	Command	Parameter	Data	Contents
Auto Focus	AF	0	■■	To perform the one-shot auto focus
Focus adjustment	FO	+ (Near)	■■	To adjust the focus
		- (Far)		
		0 (Stop)		
Zoom adjustment	ZO	+ (Tele)	■■	To adjust the zoom
		- (Wide)		
		0 (Stop)		
Iris adjustment	IR	+ (Open)	■■	To adjust the iris
		- (Close)		
		0 (Stop)		
		1 (Auto)		
		2 (Manual)		
Lighting selection	PL	0 (OFF)	■■	To turn ON/OFF the lighting
		1 (BASE)		
		2 (UPPER)		
Display mode selection	AV	0 (Camera)	■■	To switch the display mode
		1 (RGB IN)		
		2 (SD)		
Video output selection	MO	0 (All Mode)	■■	To switch the video output
		1 (Camera & SD)		
Direction	KE	0 (Menu)	■■	To scroll in the direction indicated by arrow when the digital zoom is in operation To select and determine an image on the split screen
		1 (Enter)		
		2 (→)		
		3 (←)		
		4 (↑)		
		5 (↓)		
Pause	FZ	0 (OFF)	■■	To freeze the image
		1 (ON)		
Guide	GU	0 (OFF)	■■	To set whether the main unit operation state should be displayed on the screen or not
		1 (ON)		
Display	DP	0 (Single)	■■	To select whether the images in the SD card mode should be displayed on the split screen or not
		1 (3×3)		
		2 (4×4)		
Slide show	SS	0 (Stop)	■■	To start/stop the slide show
		1 (Start)		

Function	Command	Parameter	Data	Contents
Slide-show image feed effect	SE	0 (Left to right)	■■■	To set the visual effect of the slide show
		1 (LT to RB)		
		2 (RT to LB)		
		3 (None)		
Slide-show object file	ST	0 (All)	■■■	As a slide show target, select all images stored on the SD card or only the locked image files
		1 (Locked)		
Slide-show feed order	SO	0 (FWD)	■■■	To set whether the slide show should be proceeded in the ascending order or in the descending order
		1 (BWD)		
Slide-show image feed interval	SI	0 (3s)	■■■	To set the interval of the image switching in the slide show
		1 (5s)		
		2 (10s)		
		3 (15s)		
		4 (30s)		
Slide-show repeat	SR	0 (OFF)	■■■	To proceed the slide show repeatedly
		1 (ON)		
File delete	DE	0 (Current)	■■■	To delete an image file in the SD card
		1 (All)		
File lock	SL	0 (Current)	■■■	To lock an image file in the SD card
		1 (All)		
File unlock	SU	0 (Current)	■■■	To unlock the locked image file in the SD card
		1 (All)		
Format	SF	0	■■■	To format the SD card
Image save	CA	0	■■■	To save the image in the SD card
USB mode	UM	0 (Mass Storage)	■■■	To switch the USB mode
		1 (Application)		
Gamma setting	GM	0 (High)	■■■	To set the gamma value of the image
		1 (Normal)		
		2 (Low)		
Flickerless	FL	0 (60Hz)	■■■	To set the flickerless
		1 (50Hz)		

Function	Command	Parameter	Data	Contents
Image rotation	RO	0 (0°)	■■	To turn the image
		1 (180°)		
Edge effect	AP	0 (OFF)	■■	To set the edge enhancement
		1 (Low)		
		2 (Mid)		
		3 (High)		
White balance	AW	0 (Manual)	■■	To switch the white balance mode
		1 (Auto)		
		2 (One Push)		
		3 (R_Up)		
		4 (R_Down)		
		5 (B_Up)		
Text	CT	0 (GRAPHICS)	■■	To set the contrast
		1 (TEXT1)		
		2 (TEXT2)		
		3 (TEXT3)		
Posi/Nega	NP	0 (Posi)	■■	To set the Posi/Nega
		1 (Nega)		
Color/B&W	CB	0 (Color)	■■	To set the Color/B&W
		1 (B&W)		
Local lockout	LL	0 (OFF)	■■	To invalidate the operation of the front operating panel and wireless remote control
		1 (ON)		
Default	DF	0	■■	To reset to the default settings
Status request	QS	0	■■	To inquire about the unit state
		2		
ROM version	QR	0	■■	To inquire about the ROM version
		1		
		2		
		3		
		4		
ACK check	SA	0 (OFF)	■■	To switch the ACK check mode
		1 (ON)		
CR addition	SC	0 (OFF)	■■	To switch the CR addition settings
		1 (ON)		



For "■■" in the data column, transmit the SPACE [20H] twice.

Connection


If the RS-232C cable is not connected correctly between this product and the PC, no acknowledgement is transmitted.

Connect the RS-232C cable correctly, and fix it firmly with the connector set screws before starting the operation.

7 TROUBLESHOOTING

Symptoms and Confirmation

Check the following items. If any abnormality is found, consult the seller from whom you have purchased this product or our branch/office near your location.

Symptom	Check this item
No image is displayed on the TV monitor.	<ul style="list-style-type: none"> The cable is not connected correctly to the video-in terminal of the monitor. The power cord is disconnected from the wall AC outlet. The plug is disconnected from the power cord receptacle of this presenter. The power switch is not ON. Zoom is set at the TELE side, displaying only the white/black part of the document. The power switch is turned ON immediately after it is turned OFF. In this case, this product may not start immediately. Wait for several seconds after turning OFF the power switch, and then turn it ON.
The image is out of focus.	<ul style="list-style-type: none"> The document (object) is too close to the lens. Zoom is at the TELE side after focusing at a wide angle (at the WIDE side). Focus on the point of max. at the TELE side. In the auto focus, focusing is difficult in some cases.
The lamp does not light up quickly.	<ul style="list-style-type: none"> For the protection purpose, the lamp is arranged to light up after preheating for 2 seconds. This is not a fault.
The video output image is disarrayed.	<ul style="list-style-type: none"> The video output is set to the PAL system. If this product, set to the PAL system, is connected to the monitor specially designed for the NTSC system, the video image may not be outputted normally but be disarrayed or in black and white. In such case, switch the system of the video output by referring to "DIP Switch" at P. 61.
The image is too dark.	<ul style="list-style-type: none"> The intensity of the lighting is not sufficient. Press the  button on the front operating panel or wireless remote control to turn ON the lamp. The iris is adjusted to the CLOSE side. Adjust the iris to the OPEN side.
The image is striped.	<ul style="list-style-type: none"> This may be interference fringes between dots of printed matter and TV scanning lines or CMOS pixels. This may be mitigated by changing the projection range. When using an LCD projector, vertical stripes may appear on the screen. This may be mitigated by manually adjusting the dot clock frequency on the projector side.
The brightness tone is out of order.	<ul style="list-style-type: none"> This may be mitigated by switching gamma settings.
The material (object) does not come to the center of the display	<ul style="list-style-type: none"> Initialize the camera position by referring to P. 70.

Replacement of Lighting Lamp (Fluorescent Lamp)

The lighting lamps (fluorescent lamps) are expendables. When any of them begins to shimmer or dim, replace it.



For the replacement of the lamp, consult the dealer from whom you have purchased this product or our branch/office near your location.

8 SPECIFICATIONS

■ General

Item	Specifications	
Power source	12VDC (AC adapter: 100 ~ 240VAC)	
Power consumption	30W (AC adapter included)	
Outside dimensions	457×562×138mm (18.0×22.1×5.4 in) (When folded)	
	457×519×587mm (18.0×20.4×23.1 in) (When set up)	
Weight	Approx. 8.5kg (18.7 lbs) (Main body only)	
Input selection	Main body / External one system	
Output terminal	DVI output	DVI-D 24P connector, female ×1
	RGB output	Mini DSUB 15P connector, female ×1
	Composite video output	RCA pin jack / 75Ω unbalanced (NTSC/PAL) ×1
Input terminal	RGB input	Mini DSUB 15P connector, female ×1
Ext. control terminal	RS-232C	Dsub 9P connector, male ×1
	USB (2.0 compliant)	Type B receptacle ×1
Memory interface	SD card slot	×1

■ Main Camera

Item	Specifications
Lens	f = 4.9 ~ 78.4mm (16-time zoom), F = 2.7
Shooting speed	30 frames/sec
Shooting area	SXGA 405×324mm (15.9×12.8 in) max. 30×24mm (1.2×0.9 in) min. HDTV 405×224mm (15.9×8.8 in) max. 30×17mm (1.2×0.7 in) min. XGA 405×303mm (15.9×11.9 in) max. 30×23mm (1.2×0.9 in) min.
Limit of focus adjustment	With close-up lens: TELE side : 250 ~ 410mm (9.8 ~ 16.1 in) from close-up lens WIDE side : 85 ~ 410mm (3.3 ~ 16.1 in) from close-up lens Without close-up lens: TELE side : 500mm ~ ∞ (19.7 in ~ ∞) from zoom lens WIDE side : 100mm ~ ∞ (3.9 in ~ ∞) from zoom lens
Optical zoom	16×
Digital zoom	4×
Focus	Auto/Manual
Iris	Auto (Level adjustable) / Manual
Image pick-up element	1/3" 1.3M CMOS
Total picture elements	Horizontal 1312, Vertical 1032 ... Approx. 1,350,000 pixels
Effective picture elements	SXGA Horizontal 1280, Vertical 1024 HDTV Horizontal 1280, Vertical 720 XGA Horizontal 1280, Vertical 960
Synchronizing system	Internal
Resolution	Analog RGB output: Horizontal 800TV lines or more Vertical 800TV lines or more Video output: Horizontal 450TV lines or more
DVI output	TMDS data signal 0.5 (Vp-p) 50Ω (Terminated)
Analog RGB output	0.7 (Vp-p) 75Ω unbalanced, Synchronized signal: SXGA Positive polarity HDTV Negative polarity XGA Negative polarity
Composite video output	Compliant with NTSC/PAL
White balance	Full auto / One-push / Manual
Video output selection	Provided (NTSC/PAL)
Posi/Nega conversion	Provided
Color/B&W selection	Provided
Image rotation	Provided (0°/180°, Automatic rotation by 180° for forward shooting)
Text mode	Text1 / Text2 / Text3 / GRAPHICS
Gamma setting	Provided (GRAPHICS mode only)
Edge enhancement	Provided (GRAPHICS mode only)
Pause	Provided
Image recording	Provided (SD card)
Split display	Provided (SD card image / 9-splits / 16-splits)
Slide show	Provided (SD card image)

SXGA: Horizontal frequency 63.98kHz; Vertical frequency 60.02Hz (1280×1024 at 60Hz); Compliant with VESA
HDTV: Horizontal frequency 44.7kHz; Vertical frequency 60Hz (1280×720 at 60Hz); Compliant with HDTV
XGA: Horizontal frequency 48.363kHz; Vertical frequency 60.004Hz (1024×768 at 60Hz); Compliant with VESA

■ Lighting

Item	Specifications
Lighting	High frequency lighting mode, twin fluorescent lamp, Type 9 (Model: FPL9EX-N)
Base illumination	Cold-cathode tube

■ Supplied Accessories

Name	Quantity
Power adapter	1
Power cord (1.5m)	1
Video cable (RCA pin connector) (3m)	1
Analog RGB cable (DSUB 15P connector) (2m)	1
DVI cable (2m)	1
Infrared wireless remote control	1
Batteries (Type R03, AAA)	2
Instruction Manual for P100	1
Warranty Card for P100	1
USB cable (1.8m)	1
Utility Software Installation Manual	1
Utility Software CD-ROM	1



For the RCA pin, use a pin plug compliant with EIAJ RC-6703.



The above specifications are subject to change without notice.

Trademark Acknowledgements

ELMO is a trademark of ELMO Co., Ltd.

VESA and SVGA are registered trademarks of Video Electronics Standards Association.

SXGA, VGA and XGA are trademarks or registered trademarks of International Business Machines Corporation.



: SD logo is a trademark.

Any other company names and product names appeared in this manual are trade names, trademarks or registered trademarks of the respective relevant companies.