

**thermaline S90****PASTA COOKER, GAS - PASTA COOKER POUR GAZ**

**Doc.**  
**62.9680.01\_UL**  
**Edition 1**  
**01.2006**

**US**  
**FR**

**INSTALLATION- AND OPERATING INSTRUCTIONS**  
**INSTRUCTIONS D'INSTALLATION ET D'EMPLOI**

**page 3**  
**page 13**

**FOR YOUR SAFETY**

Do not store or use gasoline or other flammable vapors or liquids in the vicinity of this or any other appliance.

**POUR VOTRE SÉCURITÉ**

Ne déposez pas ou n'employez pas l'essence ou d'autres vapeurs ou liquides inflammables à proximité de ceci ou d'aucun autre appareil.

**WARNING**

Improper installation, adjustment, alteration, service or maintenance can cause property damage, injury or death. Read the installation, operating and maintenance instructions thoroughly before installing or servicing this equipment.

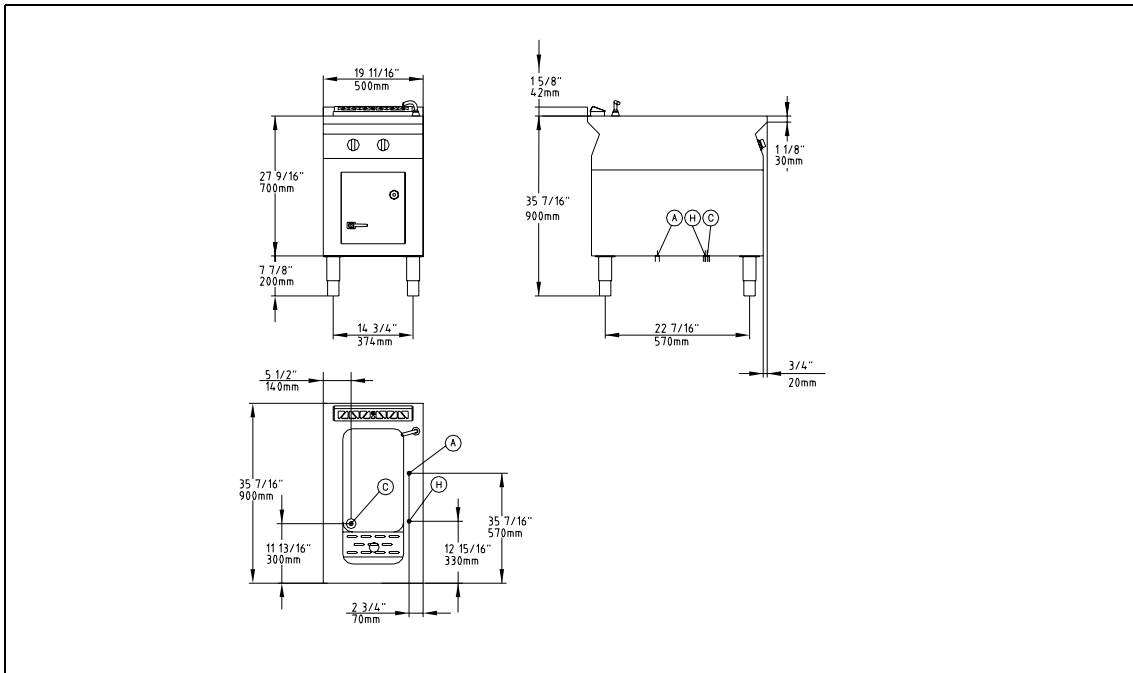
**AVERTISSEMENT**

L'installation inexacte, l'ajustement, le changement, le service ou l'entretien peuvent causer des blessures matériels, des dommages ou la mort. Lisez les instructions d'installation, d'opération et d'entretien complètement avant d'installer ou entretenir cet équipement.

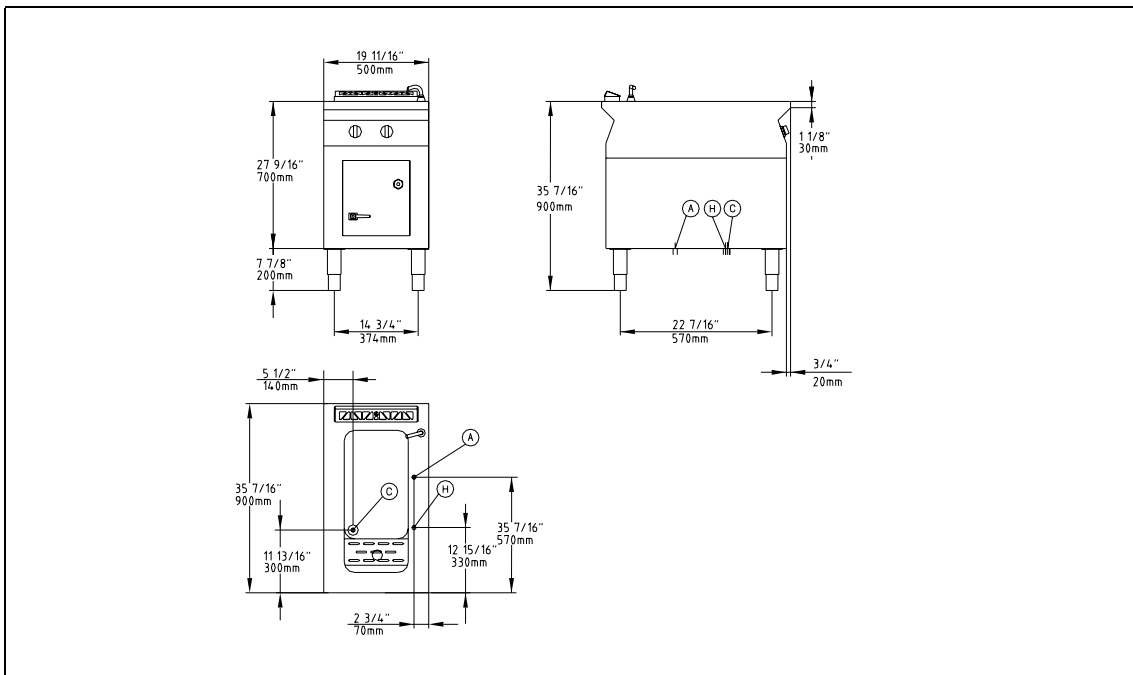
**INSTRUCTION**

Post in a prominent location instructions to be followed if the user smells gas. Consult the local gas supplier to obtain the information.

Présentez dans des instructions en avant d'un endroit d'être suivi si l'utilisateur sent le gaz. Consultez le fournisseur local de gaz pour obtenir l'information.



**Against wall - contre une paroi**



**Free standing - isolé**

**Connections - Raccordement**

Ⓜ Gas - Gaz

**Fig.1 INSTALLATION DRAWINGS - PLANS D'INSTALLATION**

## CONTENTS

I. GENERAL INFORMATION .....	3
II. INSTALLATION INSTRUCTIONS .....	5
III. OPERATING INSTRUCTIONS .....	10

## SOMMAIRE

IV. INSTRUCTIONS GÉNÉRALES .....	13
V. INSTRUCTIONS RELATIVES À L'INSTALLATION .....	15
VI. INSTRUCTIONS DE FONCTIONNEMENT .....	20

## APPENDIX


VII. Table of nozzle - Tableau de gicleur	
---	--




## I. GENERAL INFORMATION

### 1. INSTRUCTIONS FOR SAFETY AND USE


#### 1.1 INSTALLATION AND INITIAL OPERATION

- ▲ The installation, adjustment and initial operation of the appliance must be carried out according to the manufacturer's instructions and may only be done by an authorised specialist. 
- ▲ Installations for the supply of electricity and gas must be carried out by approved specialists in compliance with specific national and local regulations. They bear the responsibility.
- ▲ The installation must conform with local codes, or in the absence of local codes, with the National Fuel Gas Code, **ANSI Z223.1/NFPA 54**, or the Natural Gas and Propane Installation Code, **CSA B1 49.1**.
- ▲ The appliance and its individual shutoff valve must be disconnected from the gas supply piping system during any pressure testing of that system at pressures in excess of 1/2 psi (3.5 kPa)
- ▲ The appliance must be isolated from the gas supply piping system by closing its individual manual shutoff valve during any pressure testing of the gas supply piping system at test pressures equal to or less than 1/2 psi (3.5 kPa)


#### 1.2 OPERATOR'S OBLIGATIONS

- ▲ The manager is responsible for ensuring that all components relevant to safety are in perfect working order at all times. The operating condition of these components must be examined by an authorised specialist at least once a year and any defects remedied if required. 
- ▲ The operator of this appliance is responsible for total observation of the national regulations concerning operating safety.
- ▲ Remain the manual for future reference.

#### 1.3 USE AS PRESCRIBED

- ▲ Closed containers (jars, cans, bottles, tubes, etc.) must not be heated owing to the danger of bursting and injuries. 

#### 1.4 SAFETY-CONSCIOUS WORKING

- ▲ Baskets filled with food must be placed slowly in the full water trough, so the the hot water does not overflow. - **Danger of burning!** 
- ▲ Ensure that no substances are put into the water bath that could cause excess foaming when boiling. - **Danger of burning!**
- ▲ The trough heating must not be switched on if there is no water in the trough or the water level has fallen below the minimum level. - **Risk of fire.**
- ▲ The escape of burnable gases represents a fire and explosion hazard. Action in the case of a gas leak and a smell of gas:
  - No smoking, no fire
  - Do not operate electric switches or bells.
  - Do not operate the piezo igniter
  - Close gas cylinder valves and the main gas valve on the appliance.
  - Ventilate the room thoroughly
  - Place the leaking gas cylinders upright in the open with valves closed.
- ▲ The waste-gas outlets of the pasta cooker become hot. Avoid touching them.
- ▲ The waste-gas outlets of the pasta cooker are not to be covered by any objects.
- ▲ Spraying the appliance or parts of it with a **high-pressure cleaning device** may cause malfunctions and is not to be done.
- ▲ Keep the appliance area free and clear from combustibles
- ▲ Do not obstruct the flow of combustion and ventilation air.
- ▲ For appliances with a downpipe, the hose should lead into a drain opening which is covered by a grating such that it cannot be kicked or tipped, or a drain gutter should run underneath the appliance.
- ▲ Devices on wheels set up in block configuration must be checked before each start-up whether the potential equalization is connected with the neighbour equipment. The connection may be done only by authorized technical personnel.
- ▲ Appliances on wheels must be fastened to the building.

**1.5 AFTER-SALES SERVICE AND REPAIR**

▲ In the event of a permanent fault which interferes with operation, the appliance must be switched off and disconnected from the power supply.



▲ To perform maintenance and repairs contact the factory, the factory representative or a local service company.

▲ Repair, maintenance work and other adjustments are only to be carried out by an authorised specialist. The valid local and national regulations must be observed. This applies especially to burners, ignition, safety and control elements. Parts requiring replacement are only to be replaced by original spare parts. **Periodic tests for gas leaks must be carried out. A service contract is therefore recommended.**

▲ Cleaning and maintenance must be done only when the heating surfaces are cold. Do not use inflammable liquids to clean the appliance.

▲ **An obligatory service check is required annually.**

**2. TECHNICAL DATA**

PNC Appliances	Appliance type	Width Depth Height	Base feet height	Trough capacity	Power Gas consumption
		in mm		in Liter	
9CHG584138	WKGROFOOOO	500 900 700	200	1 x 40	14.3 kW 49000 BTU
9CHG584139	WKGROAOOOO				

**3. PACKAGING**

All the packaging materials used are environmentally friendly. They may be burnt at an incineration plant or sent for recycling.

**4. TESTS / CERTIFICATES**

All gas appliances are tested according to the standard ANSI Z83.11-2002 and CSA 1.8-2002 of Gas Food Service Equipment.

**5. SPECIFICATION PLATE**

The specification plate (E) is located in each case inside and outside on the right of the operator panel (C) (Fig. 5).

The serial number is marked on the type plate. The 8 digits give following information:

- Y                    last digit of the year of production
- WW                week of production
- XXXXX            running number

## II . INSTALLATION INSTRUCTIONS

### 1. INSTALLATION

The appliance is designed for connection to fixed lines. The appliances are suitable for setting up as single appliances or as a group of appliances. They can be set up freely in the room, side by side, at the side and/or at the back against a wall.

Gaps between two appliances or appliance and sidewall should be filled with a FDA approved silicone such as Samco RTV103.

#### 1.1 DISTANCES

If an appliance is set up next to or against temperature-sensitive furniture or similar, a safety gap of approximately 6" (150 mm) should be maintained or some form of heat insulation fitted.

The walls must be made up of non-combustible material like tiles or steel.

#### 1.2 HEIGHT ADJUSTMENT

Appliance on feet: Alignment is carried out by screwing the lower foot parts in or out.

Appliance on steel plinth: Irregularities or differences in height can be equalized by inserting one or several strips of chrome nickel steel.

#### Appliance on feet.

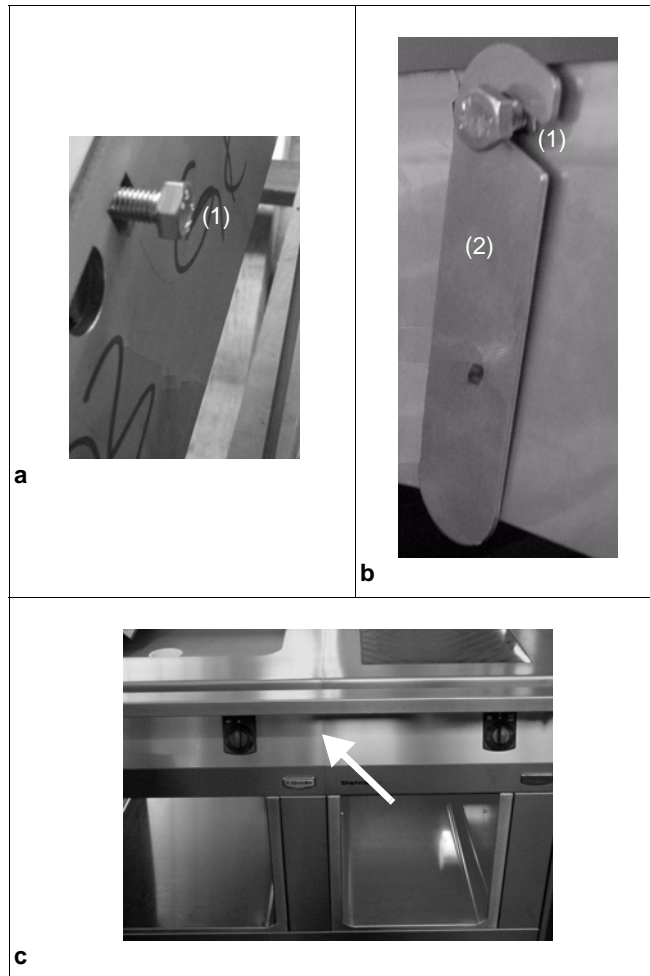
⇒ Turn the lower part of the feet to adjust the appliance high. The feet are adjustable from 4" to 8" (100 to 200 mm). A high of 8" (200 mm) can be recommended and results in an appliance high of 35.4" (900 mm).

#### Note:

**Adjustment of the legs shall provide an unobstructed clearance of minimal 6" (150 mm) and maximal 8" (200 mm) beneath the unit due to sanitary and stability aspects.**

**The lower part of the foot must not be unscrewed too far. The exposure of threads is prohibited.**

### 1.3 ASSEMBLING TWO APPLIANCES



**Fig.1 Lateral connection**

The assembly kit contains two of each of the following: caged nuts (1 / Fig.1) pre-assembled on the right-hand side of the appliance, hexagonal screws M8x25 (1 / Fig.1) and mounting links (2 / Fig.1)

- ⇒ Remove the control panels from both appliances as in 2.2
- ⇒ Remove the front panels from both appliances as in 2.1
- ⇒ Keeping the screw (1 / Fig.1) loose, turn it until it is approximately 5 mm deep in the caged nut.

Positioning the appliances:

- ⇒ Place the appliances next to one other.
- ⇒ Align for position and height.

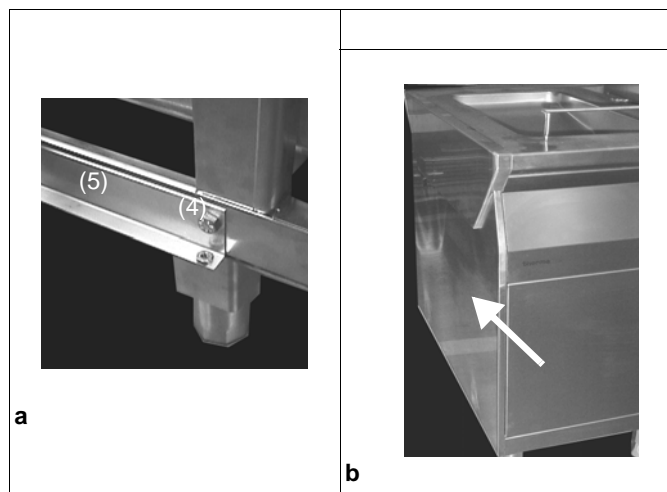
Connect the appliances:

- ⇒ Fit the mounting link (2 / Fig.1) into the inside of the second appliance's left connecting plate.
- ⇒ Tighten the screws.

#### Note

If required, the caged nuts can also be fitted on the other side of the appliance.

**1.4 SIDEWALL (D)**

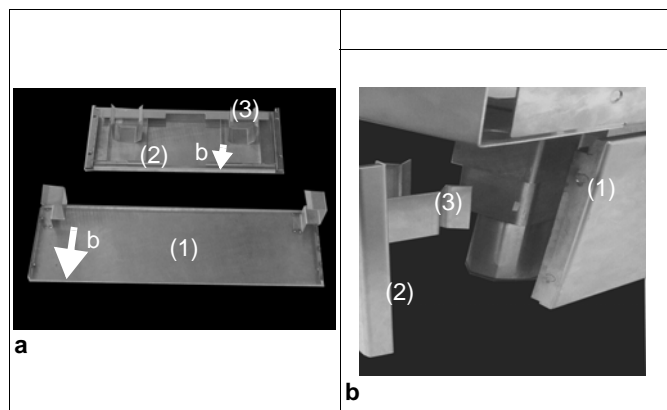


**Fig.2 Assemblage of sidewall**

The assembly kit contains two of each of the following: hexagonal screws M8x25 (1 / Fig.1), bolts with retaining rings (2 / Fig.1), mounting links (3 / Fig.1), hexagonal screws M8x16 with serrated washers and hexagonal nuts M8, hexagonal screws M5 with serrated washers (4 / Fig.2) and a fastening angle (5 / Fig.2).

- ⇒ Insert the bolts with the retaining rings (2 / Fig.1a) from outside into the guide in the sidewall.
- ⇒ Keeping the screw (1 / Fig.1a) loose, turn it until it is approximately 5 mm deep in the pre-assembled caged nuts in the sidewall.
- ⇒ Attach the fastening angle (5 / Fig.2b) to the bottom of the frame using the screws, serrated washers and nuts.
- ⇒ (4 / Fig.2).
- ⇒ Position the sidewall and screw it on from below using two hexagonal screws and the serrated washers.
- ⇒ Fit the mounting link (3 / Fig.1b) into the inside of the appliance's connecting plate.
- ⇒ Align the sidewall and firmly tighten all screws.

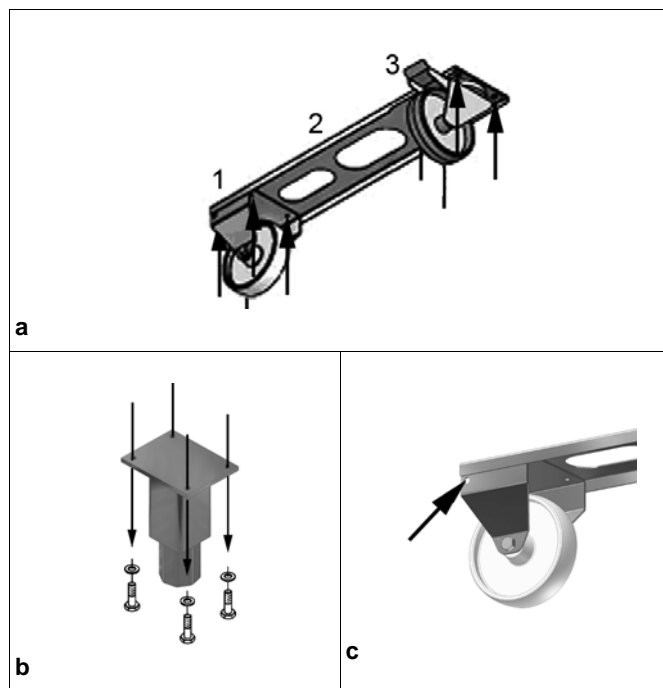
**1.5 STEEL PLINTH**



**Fig.3 Plinth assembly**

- To assemble the plinth you will need:
- Right and left side plinth (1 / Fig.3).
  - Plinth for the front and, for free-standing appliances, for the rear also (2 / Fig.3).
- ⇒ Push the side plinth (1 / Fig.3) onto the legs from front to rear using the fastener. The larger gap (b / Fig.3) on the fastener must be at the bottom.
  - ⇒ Affix the fasteners (3 / Fig.3) to the plinth (2 / Fig.3).
  - ⇒ The larger gap (b / Fig.3) on the fastener must be at the bottom.
  - ⇒ Attach the plinth with the fasteners (3 / Fig.3) onto the feet.

**1.6 ASSEMBLING ON CASTORS**



**Fig.4 Assemblage on castors**

The assembly kit for mounting on castors contains two cross bars (2/ Fig.4a) each with a fixed rear wheel (1/ Fig.4a) and a turnable front wheel (3/ Fig.4a).

Mounting the castors:

- ⇒ Put the appliance on supports.
- ⇒ Remove the feet; each is tightened with four screws (Fig.4b).
- ⇒ Bring the two cross bars into the correct position below the appliance and fasten it with 8 screws arrows (Fig.4a).
- ⇒ Remove the supports.
- ⇒ Fasten the appliance to the building. Use the hole to attach a chain descending from the wall (arrow/ Fig.4c). Making sure the chain is shorter than the gas and electric connections.

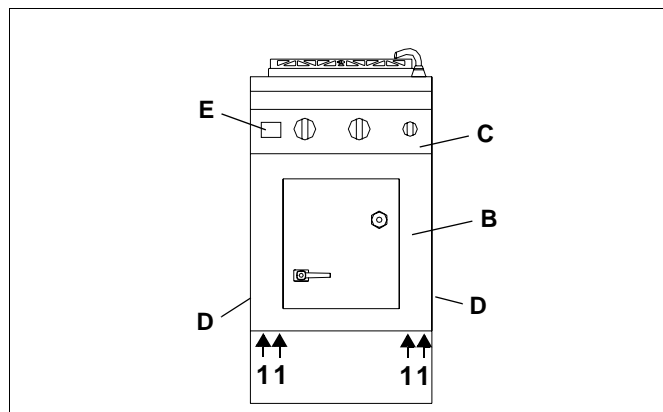
**Note:**

**Appliances on wheels must be secured by fasten it to the building.**

**2. ACCESS TO INTERIOR**

**Note:**

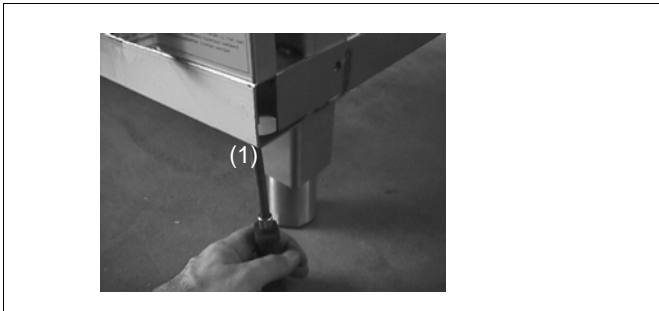
Only authorized technicians may access the interior.



**Fig.5 General view**



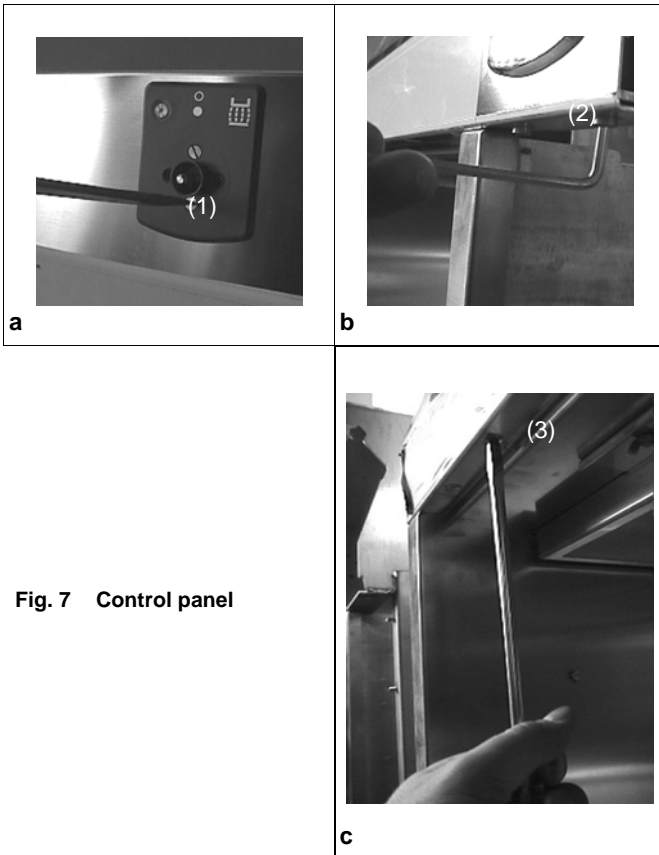
**3. FRONT PANELS (A) and (B)**



**Fig.6 Front panel**

- ⇒ Unscrew screws (1 or 3). Also, in the case of a built-in oven, unscrew screws (2 and/or 4) on the inside of the oven.
- ⇒ Pull the panel away forwards and downwards.

**3.1 CONTROL PANEL (C)**



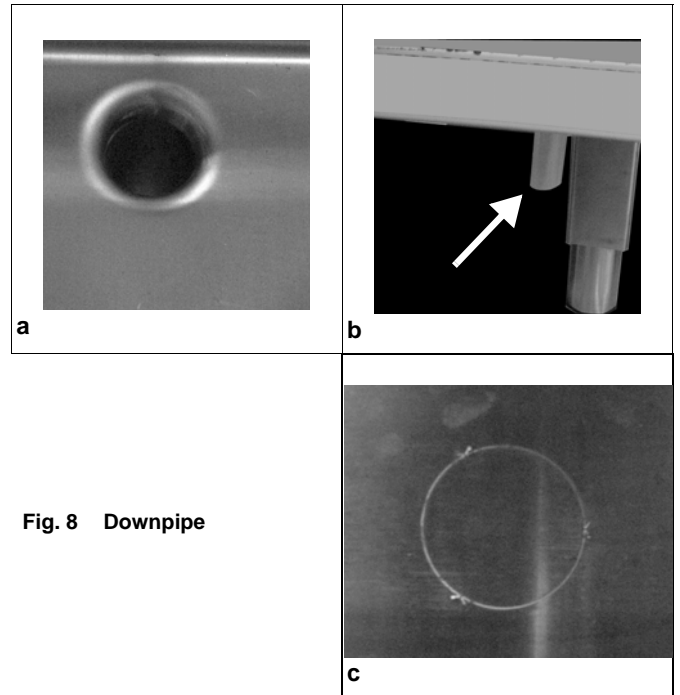
**Fig. 7 Control panel**

- ⇒ Remove the knob.
- ⇒ Loosen the screws underneath (1 / Fig.7a) and remove the base plate.
- ⇒ Loosen the screws (2 / Fig.7b) and 3 / Fig.7c)
- ⇒ Remove the panel.

**3.2 OVEN, STORAGE SPACE, HOT CABINET**

- ⇒ Remove panels A, B and C.
- ⇒ Undo screws (5).
- ⇒ Pull out element.

**4. DOWNPIPE**



**Fig. 8 Downpipe**

Work surfaces with a downpipe (Fig.8a) have the downpipe opening on the right-hand side of the appliance. A flexible silicon hose when installed in the standard manner ends underneath and to the right, 20 mm behind the front of the appliance (Fig.8b).

- ⇒ Alternatively, the hose can be relocated to the rear and be routed through other pre-cut openings (Fig.8c).

**5. GAS CONNECTION**

The installation of the gas connection, as well as the laying of the customer's gas line, is only to be carried out by an authorised specialist subject to the relevant national and local regulations.

**NOTE**

- The gas appliance may only be installed in an adequately ventilated location.
- Appliances are set up for natural gas. The type of gas, gas pressure and gas category are entered on the specification plate. Prior to connection, check that the appliance is set up for the type of gas available on site. To do this, compare the details on the specification plate with the existing gas data.
- If this is not the case, the appliance must be converted or adapted by the service personnel responsible to suit local conditions. The following points should be noted:
  - Has the appliance been tested for the new gas data?
  - Conversion in accordance with the Service Manual.
  - A new specification plate or a durable marking with the new gas data must be affixed to the appliance.

**5.1 CONNECTION**

Gas-only appliances as well as combination electric and gas appliances require a gas connection.

The gas connection is located under the appliance on the right hand side. For all types the gas connection is NPT 3/4".

The installation of a dirt trap in the gas supply line by the owner is recommended.

After connection, all lines carrying gas must be tested for leaks at operating pressure by painting with non-corrosive foam-forming media, (e.g. soapy water or leak spray).

**5.2 GAS PRESSURE**

The current gas pressure should be measured at the Mertik regulator with a liquid U-tube manometer (scale at least 0.1 mbar = 1 mm water column).

- ⇒ Remove the control panel. The measuring nipple is located in downwards direction at the gas supply pipe before the two gas valves.
- ⇒ Close off the mains gas leading to the appliance.
- ⇒ The measuring nipple is provided at the left side of the regulator. The incoming pressure is measured in front, the outgoing pressure behind.
- ⇒ Loosen the slotted screw (1 turn) in the measuring nipple. Then connect the pressure gauge by attaching a flexible tube to the nipple (out-side diameter 8 mm).
- ⇒ Open the main gas leading to the appliance.
- ⇒ Run all burners on the appliance at full output.
- ⇒ Check whether the connection pressure is in permitted tolerance.
- ⇒ Turn off the appliance again.
- ⇒ Close the main gas valve.

⇒ Retighten the slotted screw in the measuring nipple. Gas pressure deviation tolerances are laid down by EN 203. If the existing gas pressure is outside the given tolerances, correct combustion can no longer be ensured. Compulsory measures: pressure adjustment by the gas works or conversion of the range by the service personnel. Please refer to "Conversion to another gas type".

**Gas pressure tolerances**

Gas pressure variation tolerances are as follows: mbar					
Gas type		Normal pressure		Min. pressure	
		inch water g.	mbar	inch water g.	mbar
Natural gas USA	A	7	17.4	3.5	8.7
Liquid gas Propane USA	E	11	27.4	8.0	20

## 6. WATER CONNECTIONS

### 6.1 DRINKING WATER CONNECTION

- Before connecting the appliance, flush the water pipes and fittings and clean out any dirt.
- The appliance is designed for connection to fixed lines.
- Metal installation pipes may not protrude more than 3.9" (10 cm) from the floor or the wall.
- The maximum water pipe pressure must not exceed 87 psi (600 kPa).
- A mechanical filter, a shutoff valve and a non-return valve should be built into the customer fresh water feed pipe.
- In general, all national and local water regulations must be observed.
- The appliance is to be connected to the sanitation system in accordance with the valid installation connection plans and diagrams.

#### 6.1.1 FREE-STANDING INSTALLATION

The water connections come up from the floor.

- ⇒ Make corresponding openings in the base of the frame to lead the hoses through.
- ⇒ Remove front panel (B) (see Chapter 3. on page 7).
- ⇒ Dismantle the storage space or hot cabinet if necessary.
- ⇒ Connect the flexible hoses (5), with a G ½" inside thread, with or without fitting a stop valve, to the customer-supplied water pipes protruding from the floor.

#### 6.1.2 FITTING AGAINST A WALL

The water connections come up from the floor or out of the wall. For floor connection (see Chapter 6.1.1 on page 9).

- ⇒ Pull the flexible hoses (5) out of the open rear wall and connect to the customer-provided water pipes protruding from the wall with a G ½" inside thread, with or without fitting a stop valve.
- ⇒ Position the appliance against the wall.

### 6.2 WASTE WATER

The appliance outlet pipe must be taken through a sufficiently large waste water opening.

#### Note

Ensure accurate measurement of the waste water collecting point and the exact positioning of the appliance.

**III . OPERATING INSTRUCTIONS**

**1. GENERAL**

The Pasta Cooker is used for boiling pasta of all types, rice, noodles, dumplings, vegetables and soups. The desired temperature can be adjusted between 50 and 100 °C.

The water trough has a capacity of 40 litres and is operated by a 13 kW output bar burner.

In the front part of the water trough there is a standing surface for parking and draining off the baskets. Excess water or foam can run off through a water overflow under the standing surface.

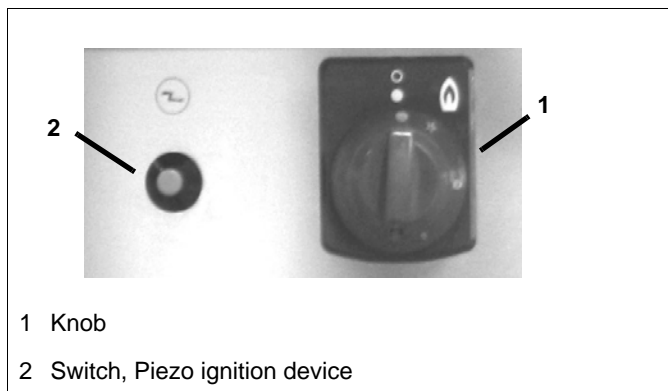
The water trough is seamlessly integrated into the appliance cover. Sharply rounded corners and edges facilitate easy cleaning. All parts of the appliance are made of corrosion-resistant stainless steel.

Recommended accessories:

- rectangular baskets, 1 x GN 1/1, 2 x GN 1/2 or 3 x GN 1/3
- round baskets, 3
- Base insert to stand round baskets on.
- Cover

**2. OPERATION**

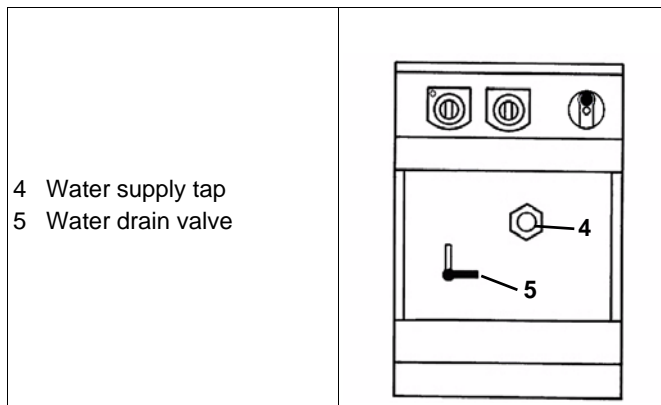
- ⇒ Turn on main gas tap (1/ Fig.9).  
0 = Off  
1 = On
- ⇒ For liquid gas operation also open the bottle or tank valve.
- ⇒ Switch on gas burner (Chapters 2.1 and 2.2)
- ⇒ Turn on the water supply tap (4/ Fig.9) until the trough is full.
- ⇒ Switch on trough heating (Chapters 2.3 and 2.4).
- ⇒ Water loss in the trough can be replaced by turning on the tap (4/ Fig.10).



**Fig.9 Control panel**

The knob (2/ Fig.9) has four main settings:

- Off
- ★ Igniting the pilot burner
- 🔥 High setting
- 🔥 Low setting



**Fig.10 Front view**

**2.1 IGNITING THE PILOT BURNER**

- ⇒ Push the knob (2/ Fig.9) fully in.
- ⇒ Turn it anti-clockwise to the pilot burner ignition (★) position.
- ⇒ Hold the knob (2/ Fig.9) fully pressed in.
- ⇒ At the same time, ignite the gas escaping at the pilot burner with the piezo ignition device. The burner is ignited by turning the knob (3) clockwise or anti-clockwise.
- ⇒ After lighting the pilot burner, keep the rotary switch pushed in for about 15 seconds. It is only after this period of time that the pilot light will burn after the rotary switch is released.
- ⇒ If the pilot light extinguishes, repeat the whole process.

**2.2 IGNITING THE MAIN BURNER**

- ⇒ Press the knob (2/ Fig.9) in lightly and turn it from the pilot burner ignition position (★) anti-clockwise to the high (🔥) position.  
The high position (🔥) equates to the maximum burner power or rated thermal load.

**2.3 TEMPERATURE SELECTION**

The intensity of the flame can be adjusted between the "high position" (🔥) and the "low position" (🔥).

- ⇒ Push the knob (2/ Fig.9) fully in and turn it anti-clockwise from the high setting (🔥) towards the lowest (🔥) setting. The flame becomes smaller and smaller. In the lowest setting (🔥) the main burner has the lowest output.
- ⇒ To return from the lowest setting (🔥) towards the highest setting (🔥), push the knob (2 / Fig.9) fully in and turn it clockwise.

**Note:**

Do not switch on the trough heating or leave it switched on, if the water level falls below the marking on the trough wall. Non-observance of these instructions can cause severe damage to the boiling trough and the appliance operating elements.

**2.4 INITIAL OPERATION**

Before initial operation of the appliance, the trough and the baskets must be thoroughly cleaned of the protective industrial grease by carrying out a boiling procedure without food and with the addition of neutral soap.

**2.4.1 STANDBY**

The water must always be at the correct level, clean and always able to be kept at the boil.

**Check before each use:**

- ⇒ The water trough overflow must not be blocked.
- ⇒ The operating elements must not be damaged.

## 2.4.2 WORKING RULES

- ⇒ Turn the switch (2/Fig.9) to the highest setting (Ⓐ).
- ⇒ As soon as the water in the trough has reached boiling point, add salt and ingredients. The use of fine salt is recommended, to prevent corrosion of the trough base. If this is not available, dissolve the salt beforehand in a separate container of water.
- ⇒ Place the baskets with the food to be cooked slowly in the trough.  
The overflow pipe ensures control of the maximum amount of water and the escape of any foam that occurs during cooking.
- ⇒ Set the appropriate cooking temperature with the switch (2/Fig.9), according to the quantity and quality of the food to be cooked.

## 2.5 SWITCHING OFF THE OVEN

### 2.5.1 MAIN BURNER

- ⇒ Turn the knob (2/Fig.9) back clockwise from the highest setting (Ⓐ) to pilot burner ignition (★).  
The gas supply to the main burner is stopped and the main flame is shut down. The flame of the pilot burner keeps on burning and is available for further main burner ignitions.

### 2.5.2 PILOT BURNER FLAME

- ⇒ Press the knob (2/Fig.9) lightly and turn it clockwise from pilot burner ignition to Off.  
The complete gas supply is cut off and the pilot light extinguishes.  
● = Off
- ⇒ Ignition can only start again when the heating element has cooled down.

### 2.5.3 WATER DRAIN

- ⇒ Drain the water from the trough by opening the water outlet valve (5/Fig.10) (turn the handle anti-clockwise into the vertical position).
- ⇒ Clean any food residues from the trough and the baskets.

### 2.5.4 LONG SHUT-DOWNS

The following should be observed when shutting down for a long period:

- ⇒ When operating with liquid gas, also turn off the bottle or tank valve.
- ⇒ Never store the appliance where the temperature can drop below 32°F (0 °C).
- ⇒ Do not leave the troughs full of water, since this prevents the normal passivation of the steel and the surfaces are thus less resistant to corrosion.
- ⇒ Rub all chrome nickel steel surfaces with a cloth soaked in vaseline oil, to lay down a thin protective coating.
- ⇒ Air the installation site regularly.
- ⇒ Turn off the water supply.

## 3. CLEANING

The appliance should be cooled before every cleaning operation.

Clean at least once daily after use:

- ⇒ Shut off all the gas taps and control valves on the range.
- ⇒ Drain water from the trough.
- ⇒ Clean outlet nozzles with a brush.
- ⇒ Remove the outlet strainer of the floor of the water trough (snap fastening) and clean.
- ⇒ Clean the outlet on the base of the trough as well as the overflow (8) with a bottle brush.

- ⇒ Using a brush, wash the water trough with hot soapy water to which a fat-dissolving agent has been added.
- ⇒ Then rinse with hot water and rub dry with a cloth or absorbent paper.
- ⇒ Wash rust-resistant chrome nickel steel panels with hot soapy water to which a fat-dissolving agent has been added and rub them dry.

Water containing cooking salt or food should not dry in the boiler, to prevent the danger of corrosion.

### Note

- ⇒ The appliance must not be sprayed with a water jet or high-pressure cleaner.
- ⇒ The floor directly in front of, near and behind the appliance must be cleaned normally without a high-pressure cleaner.
- ⇒ When cleaning the outlet pipe, do not use any sharp objects that might damage the rubber hose.
- ⇒ Never use inflammable liquids to clean the appliance interior.
- ⇒ Never use **steel wool, spatulas or ordinary steel** wire brushes for cleaning the surfaces, since the deposition of steel particles can lead to rust formation. Stainless steel wool can possibly be used, but only in the grinding direction.
- ⇒ Never use chloric products (bleaching dye, hydrogen chloride etc.) for cleaning chrome nickel steel, even if they are diluted.
- ⇒ Never use corrosive substances for cleaning the floor under the appliance (e.g. hydrochloric acid). Clean the appliance with commercial cleaning agents.

### 3.1 GAS BURNER

So far as is necessary, the pilot burner and main burner are cleaned by after-sales service.

### 3.2 FLAME

In a visual check, the flames must be dark blue without any upper yellow or orange tips; they must be stable and soot-free and adhere firmly to the outlets.

If there is a lack of primary air, the flame has yellow streaks and tips; if there is too much primary air, the flame is short, transparent and tends to lift off the burner.

When the flame is correctly adjusted, it must not lift off or backfire when the burner is cold as well as warm.

The flame will backfire into the inside of the burner when the speed of the gas-air mixture through the burner outlets is too low, particularly when the air passages are dirty.

The different ignition processes must also take place without any delays. This concerns: ignition, arc-through and extending the flame over the whole burner area.

If the flame fails to meet all the requirements, cleaning or maintenance is necessary.

**4. MALFUNCTION**

<b>Malfunction</b>	<b>Possible cause</b>	<b>Remedy</b>
Pasta Cooker overheats; the power is too weak.	<ul style="list-style-type: none"> <li>• Water level too low.</li> </ul>	- Top up with water.
Flame smokes.	<ul style="list-style-type: none"> <li>• Gas mix too rich.</li> <li>• Partially blocked burner gaps.</li> </ul>	- Inform Customer Service.
Long yellow flame tips	<ul style="list-style-type: none"> <li>• Mixing tube narrowed by dirt.</li> </ul>	- Inform Customer Service.
Flame lifts off.	<ul style="list-style-type: none"> <li>• Exit velocity too high due to blocked burner gaps.</li> <li>• Pressure regulator on gas cylinder not operating correctly.</li> </ul>	- Inform Customer Service.
Flame flashes back.	<ul style="list-style-type: none"> <li>• Mixture too lean.</li> <li>• Insufficient exit velocity at burner gaps.</li> <li>• Soiled airways</li> <li>• Blocked nozzle.</li> </ul>	- Inform Customer Service.
No flame or flame too small.	<ul style="list-style-type: none"> <li>• Blocked nozzle or mixer tube</li> <li>• Blocked gas tap.</li> <li>• No gas.</li> <li>• Insufficient gas pressure.</li> </ul>	- Inform Customer Service. - Check gas tap setting.
No flame at low setting.	<ul style="list-style-type: none"> <li>• Blocked low setting nozzle.</li> </ul>	- Inform Customer Service.
<b>Pilot burner</b>		
No flame.	<ul style="list-style-type: none"> <li>• Blocked burner gaps.</li> <li>• Blocked nozzle.</li> </ul>	- Clean pilot burner cap.
Flame goes out after control valve release.	<ul style="list-style-type: none"> <li>• Thermo-element insufficiently heated (dirty?)</li> <li>• Defective thermo-element</li> <li>• Defective pilot burner</li> </ul>	- Remove dirt; do not use abrasive paper! - Inform Customer Service.
Flame too small or too large.	<ul style="list-style-type: none"> <li>• Primary air ratio adjusted.</li> <li>• Nozzle blocked.</li> </ul>	- Inform Customer Service.

## I. INSTRUCTIONS GÉNÉRALES

### 1. CONSIGNES DE SÉCURITÉ ET D'UTILISATION

#### 1.1 INSTALLATION ET MISE EN SERVICE

- ▲ Le montage, le réglage et la première mise en service de l'appareil doivent s'effectuer conformément aux instructions du fabricant et être confiés exclusivement à un technicien agréé.
- ▲ Les raccordements au réseau électrique et de distribution du gaz doivent être réalisés par du personnel agréé, dans le respect des dispositions locales en vigueur dans le pays d'installation. Celui-ci sera tenu pour responsable en cas d'installation incorrecte.
- ▲ L'installation doit être conforme aux codes en vigueur localement, ou, en l'absence de ceux-ci, au code national du gaz combustible, **ANSI Z223.1/NFPA 54**, ou au code d'installation du gaz naturel et du propane, **CSA B1 49.1**.
- ▲ Il faut que l'appareil et la vanne d'arrêt automatique relative soient déconnectés du système de tuyauterie d'alimentation du gaz lors de tout test de pression effectué sur ce système à des pressions supérieures à 1/2 psi (3,5 kPa).
- ▲ L'appareil doit être isolé du système de tuyauterie d'alimentation du gaz en fermant manuellement la vanne d'arrêt automatique lors de tout test de pression effectué sur ce système à des pressions de test équivalentes ou inférieures à 1/2 psi (3,5 kPa).
- ▲ L'utilisateur ne doit pas mettre l'appareil en marche avant de s'être familiarisé avec son fonctionnement. Il est impératif de suivre les instructions et les consignes de sécurité indiquées dans la Notice d'emploi. Respecter rigoureusement les signaux d'avertissement et de mise en garde appliqués sur les appareils.



#### 1.2 OBLIGATIONS DE L'UTILISATEUR

- ▲ Il incombe à l'utilisateur de garantir l'efficacité permanente de toutes les pièces importantes pour la sécurité de l'appareil. Il convient de faire contrôler le bon fonctionnement de ces pièces au moins une fois par an par un technicien agréé et de les remettre à neuf, si nécessaire.
- ▲ L'utilisateur est pleinement tenu de se conformer à la réglementation nationale en matière de sécurité de fonctionnement de ces appareils.
- ▲ Le mode d'emploi doit être conservé pour toute consultation ultérieure.



#### 1.3 UTILISATION CORRECTE

- ▲ Les récipients hermétiques ne doivent pas être chauffés sous peine de les faire exploser et de provoquer des blessures.



#### 1.4 TRAVAILLER EN TOUTE SÉCURITÉ

- ▲ La plongée des paniers remplis d'aliments dans la cuve doit se faire lentement, de manière que l'eau chaude ne déborde pas. - **Danger de brûlures**
- ▲ Il faut faire attention à ne pas introduire de substances générant une trop forte mousse dans l'eau lorsqu'elle bout. - **Danger de brûlures.**
- ▲ Le chauffage de la cuve ne doit pas être enclenché ou laissé, si le niveau d'eau de la cuve descend au-dessous du repère indiqué contre sa paroi. **Risque d'incendie**
- ▲ Les fuites de gaz combustible sont source de risque d'incendie et d'explosion. Comportement à adopter en cas de fuite ou d'émanations de gaz :
  - Évitez de fumer et d'allumer du feu
  - N'actionnez ni interrupteurs ni sonneries électriques ni piezo
  - N'actionnez pas piezo-allumeur
  - Fermez les valves des bouteilles de gaz et le robinet à gaz principal sur l'appareil
  - Aérez soigneusement la pièce
  - Transportez les bouteilles de gaz défectueuses en plein air, fermez le robinet et laissez-les en position verticale.
- ▲ Les orifices prévus pour les gaz d'échappement du four deviennent chauds lorsque le four est en service ; évitez de les toucher.
- ▲ Évitez d'obstruer les orifices prévus pour les gaz d'échappement du four avec des objets.
- ▲ L'aspersion de l'appareil ou de ses éléments à l'aide d'**appareils de nettoyage sous pression** est à proscrire, car ceux-ci peuvent engendrer des défauts de fonctionnement.
- ▲ Ne rangez pas de matériaux combustibles à proximité de l'appareil.
- ▲ Veillez à ce que l'évacuation des produits de la combustion ne soit pas entravée et que les bouches d'aération ne soient pas obstruées.
- ▲ Sur les appareils équipés d'une sortie, il convient soit de raccorder le flexible à l'orifice de sortie muni d'une grille résistante avec couvercle anti-usure et anti-basculement ou de disposer une rigole de déversement au-dessous de l'appareil.
- ▲ Les appareils sur roues installés dans une configuration multiple doivent être contrôlés avant chaque démarrage si le conducteur d'équipotentialité est reliée à l'installation du voisin. La connexion doit exclusivement être confiée à des techniciens agréés.
- ▲ Les appareils sur roues doivent être fixés au mur.
- ▲ **L'appareil doit faire l'objet d'une révision générale à une fréquence annuelle.**



**1.5 SERVICE-APRÈS-VENTE ET RÉPARATION**

- ▲ Si un problème persistant empêche le fonctionnement correct de l'appareil, mettez-le hors tension et débranchez-le.
- ▲ Pour toute opération d'entretien ou de réparation, adressez-vous au fabricant, à un représentant agréé ou au Service Après-vente local.
- ▲ Toute opération de réparation, d'entretien et de réglage doit être effectuée par un technicien agréé, en respectant les dispositions locales en vigueur dans le pays d'installation. Ceci concerne en particulier les dispositifs des brûleurs, d'allumage, de sécurité et de réglage. Les pièces défectueuses doivent être remplacées par des pièces d'origine. **L'étanchéité du dispositif d'arrivée du gaz doit faire l'objet de contrôles réguliers. Par conséquent, il est recommandé de stipuler un contrat d'entretien pour votre appareil.**
- ▲ Les opérations de nettoyage et d'entretien de votre appareil doivent s'effectuer lorsque les surfaces chauffantes sont froides. N'utilisez jamais de liquides inflammables pour nettoyer votre appareil.


**2. DONNÉES TECHNIQUES**

Appareil PNC	Modèle de l'appareil	Largeur	Socle	Super-	Puissance
		Profondeur	Pieds	ficie	
		Hauteur			Consommation
		en mm			de gaz
					en kW
9CHG584138	WKGROFOOOO	500	200	1 x 40	14.3 kW 49000 BTU
9CHG584139	WKGROAOOOO	900 700			

**3. EMBALLAGE**

Tous les matériaux d'emballage utilisés sont non polluants. Ils peuvent être brûlés dans une installation d'incinération ou recyclés.

**4. TESTS / CERTIFICATS**

Tous les appareils à gaz sont testés conformément aux standards ANSI/NSF 4 - 2002, Commercial Cooking, Rethermalization, and Powered Hot Food Holding and Transport Equipment et ANSI Z83.11-2002 et CSA1.8-2002, Gas Food Service Equipment.

**5. PLAQUE SIGNALÉTIQUE**

La plaque signalétique (E) figure à l'intérieur et à l'extérieur du panneau de commandes (C), à droite (Fig.5).

Le numéro à 8 chiffres de la plaque signalétique est composé comme suit:

Y                    dernier chiffre de l'année de fabrication  
 WW                semaine de fabrication  
 XXXXX            numéro d'ordre



## II . INSTRUCTIONS RELATIVES À L'INSTALLATION

### 1. MISE EN PLACE

Cet appareil est conçu pour être raccordé à des conduites fixes. Les appareils peuvent être montés individuellement ou en groupe. Ils peuvent être installés de façon indépendante, côte à côte, avec un côté et/ou la partie arrière de l'appareil reposant contre une paroi.

Les interstices entre deux appareils ou entre un appareil et le mur latéral doivent être comblés avec du silicone homologué par le FDA tel que Samco RTV103.

#### 1.1 DISTANCES

Si l'appareil doit être monté au-dessus ou à côté de meubles sensibles à la température, il convient de prévoir un espace de 6" (150 mm) environ entre l'appareil et le meuble ou d'appliquer un panneau d'isolation thermique.

Les parois doivent être fabriquées en un matériau non combustible, tel que carreaux ou revêtement en acier.

#### 1.2 RÉGLAGE DE LA HAUTEUR

Appareil muni de pieds : Le réglage s'effectue en vissant ou en dévissant la partie inférieure des pieds.

Appareil installé sur un socle en acier : Si le sol présente des irrégularités ou des dénivellations, corrigez celles-ci en plaçant une ou plusieurs tôles en nichrome en dessous de l'appareil.

#### Appareil sur des pieds.

⇒ Tournez la partie plus inférieure de l'alimentation pour ajuster la haute d'appareils.

L'alimentation sont réglable de 4" à 8" (100 à 200 mm). Une haute de 8" (200 mm) peut être recommandée et des résultats dans une haute d'appareils de 35,4" (900 mm).

#### Note :

L'ajustement des pieds fournira un dégagement dégagé des 6" (150 mm) minimaux et des 8" (200 mm) maximaux sous l'unité due aux aspects sanitaires et de stabilité.

La partie plus inférieure du pied ne doit pas être dévissée trop loin. L'exposition des fils est interdite.

### 1.3 ASSEMBLAGE DE DEUX APPAREILS

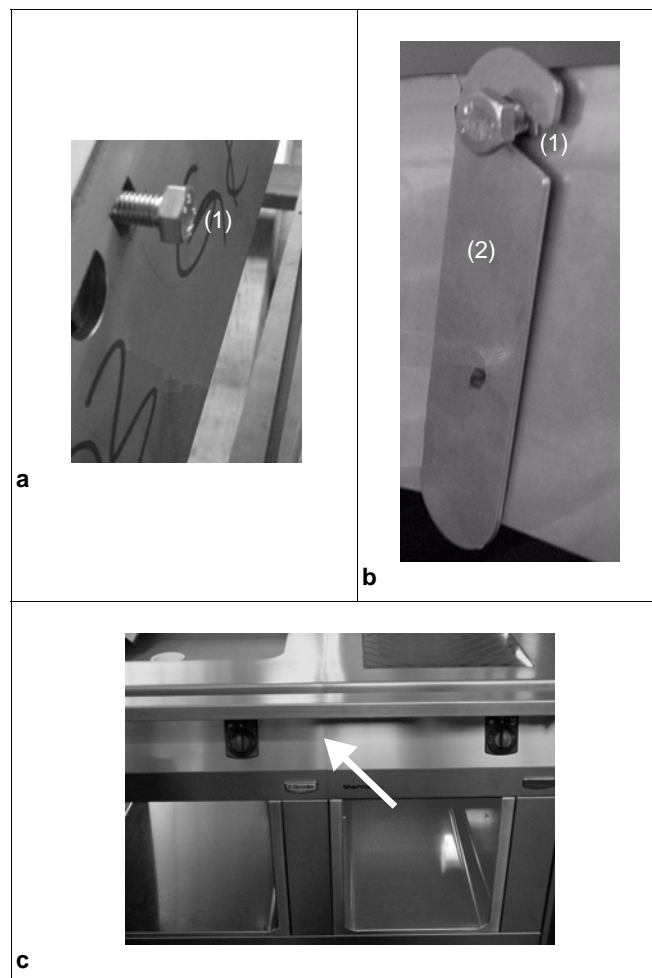


Fig.1 Raccordement latéral

Chaque kit d'assemblage comprend respectivement deux écrous en cage (1 / Fig.1) pré-montés à l'avant droit de l'appareil et des éclisses (2 / fig 1),

⇒ Retirez les panneaux de commande des deux appareils comme indiqué en 2.2

⇒ Retirez les panneaux avant des deux appareils comme indiqué en 2.1

⇒ Vissez la vis (1 /fig. 1) à env. 5 mm de profondeur dans l'écrou en cage.

Positionnement des appareils :

⇒ Placez les deux appareils l'un à côté de l'autre.

⇒ Ajustez la position et la hauteur :

Assemblage des appareils :

⇒ Insérez l'éclisse (2 / fig. 1) à l'intérieur sur la plaque d'assemblage droite du deuxième appareil.

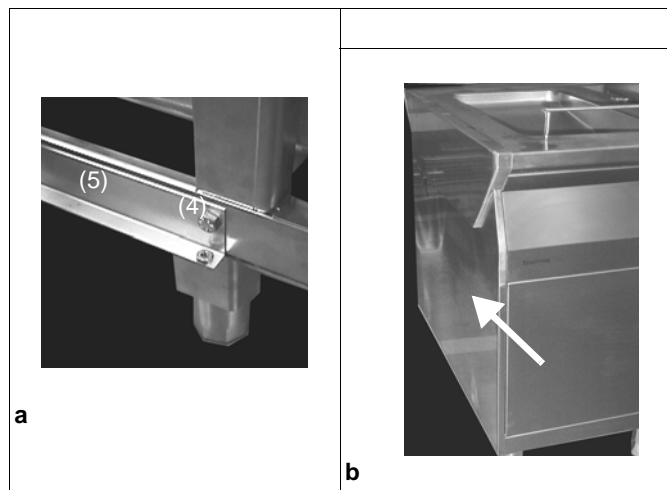
⇒ Serrez fermement les vis.

#### N.B. :

Au besoin, les écrous en cage peuvent également être appliqués sur l'autre côté de l'appareil.

Le raccordement de deux appareils (fig. 1c, flèche) doit correspondre aux règlements hygiéniques respectifs le standard NSF/ANSI 4. Tout le résulter joint et des coutures dans une zone exposée aux projections seront scellées et lissier.

**1.4 PAROI LATÉRALE (D)**



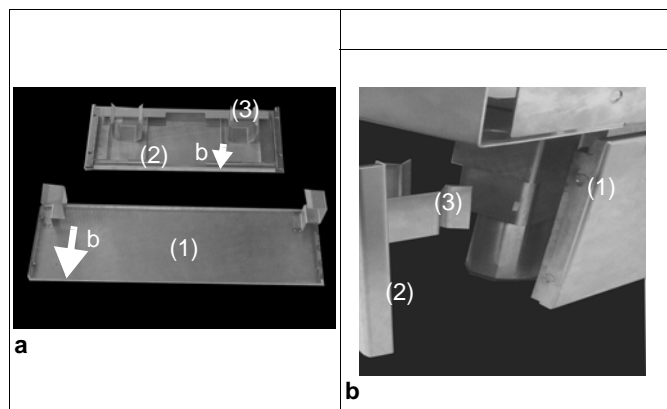
**Fig.2 Montage du paroi latérale**

Chaque kit d'assemblage comprend respectivement deux vis hexagonales M8 x 25 (1 / Fig.1), des boulons avec circlip (2 / Fig.1), des éclisses (3 / Fig.1), des vis hexagonales M8 x 16 avec rondelles à denture intérieure et des vis hexagonales M8, des vis hexagonales M5 avec rondelles à denture intérieure (4 / Fig.1)

et une équerre de fixation (5 / Fig.2).

- ⇒ Insérez les boulons avec circlip (2 / Fig.1a) depuis l'extérieur dans l'orifice prévu à cet effet dans la paroi latérale.
- ⇒ Vissez la vis (3 / Fig.1) à env. 5 mm de profondeur dans l'écrou en cage pré-monté dans la paroi latérale.
- ⇒ Fixez l'équerre de fixation (5 / Fig.2b) à l'aide des vis, des rondelles à denture intérieure et des écrous en bas du châssis. (4 / Fig.2)
- ⇒ Positionnez la paroi latérale et vissez le bas à l'aide des deux vis hexagonales et des rondelles à denture intérieure.
- ⇒ Insérez l'éclisse (3 / Fig.1a) à l'intérieur de l'appareil sur la plaque d'assemblage.
- ⇒ Ajustez la paroi latérale et serrez toutes les vis.

**1.5 SOCLE EN ACIER**

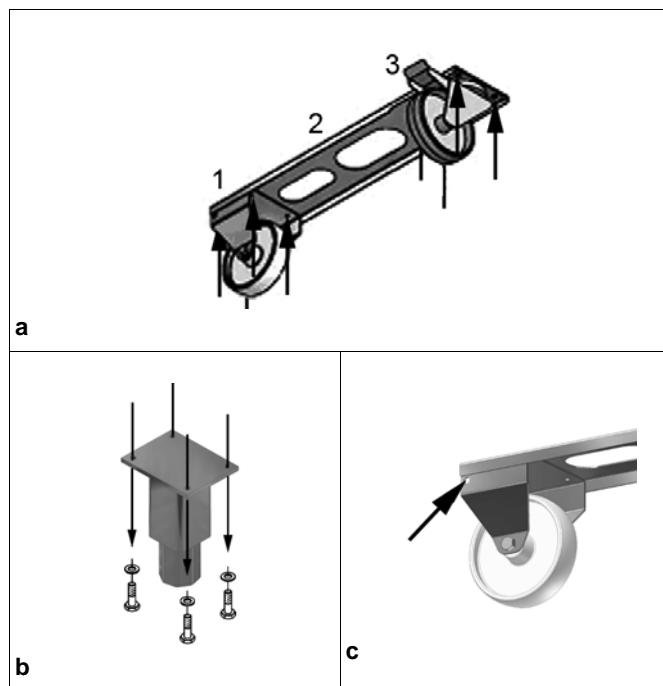


**Fig.3 montage du socle**

Éléments requis pour le montage du socle :

- Socles latéraux droit et gauche (1 / Fig.3).
- Socle pour panneau avant et, pour les appareils autonomes, pour panneau arrière également (2 / Fig.3).
- ⇒ Poussez les pieds du socle latéral (1 / Fig.3) d'avant en arrière à l'aide de l'attache. L'intervalle le plus grand avec l'attache (b / fig. 3) doit se situer en bas.
- ⇒ Placez les attaches (3 / fig. 3) sur le socle (2 / Fig.3).
- ⇒ L'intervalle le plus grand avec l'attache (b / Fig.3) doit se situer en bas.
- ⇒ Placez le socle sur les pieds à l'aide des attaches (3 / Fig.3).

**1.6 ASSEMBLAGE SUR ROULETTES**



**Fig.4 Assemblage sur roulettes**

Le kit de montage sur roulettes contient deux barres transversales (2/ Fig.4a) respectivement fixées sur une roue arrière fixe (1/ Fig.4a) et une roue avant pivotante (3/ Fig.4a).

Montage des roulettes :

- ⇒ Mettre l'appareil sur des supports.
- ⇒ Enlever les pieds respectivement fixés avec quatre vis (Fig.4b).
- ⇒ Mettre les deux barres transversales dans la bonne position au-dessous de l'appareil et le fixer avec 8 vis repérées par les flèches (Fig.4a).
- ⇒ Enlever les supports.
- ⇒ Fixer l'appareil au bâtiment. Utiliser le trou pour fixer une chaîne descendant du mur (flèche Fig.4c). S'assurer que la chaîne est plus courte que les raccordements de gaz et d'électricité.

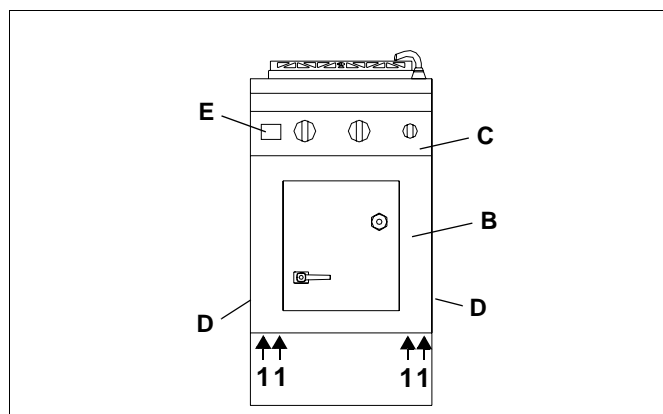
**N.B. :**

**Les appareils sur roulettes doivent être bloqués en les fixant au bâtiment.**

**2. ACCÈS À L'INTÉRIEUR**

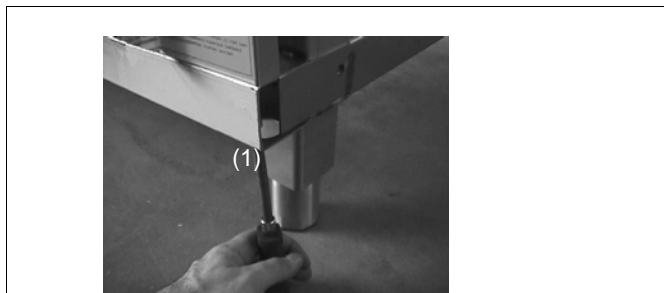
**N.B.:**

Seulement les techniciens autorisés peuvent accéder à l'intérieur.



**Fig.5 Vue d'ensemble**

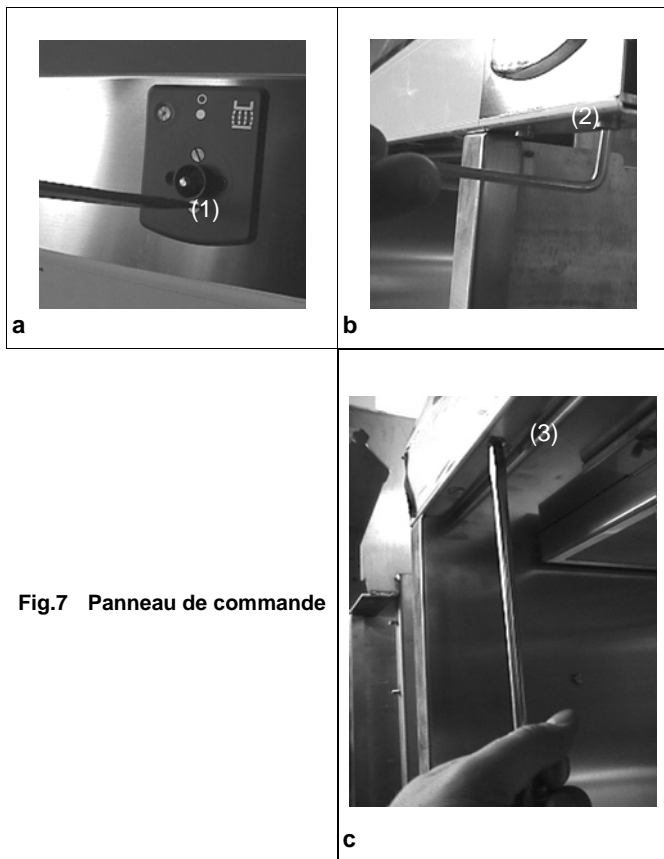
## 2.1 PANNEAU AVANT (A) et (B)



**Fig.6 Panneau avant**

- ⇒ Desserrez les vis (1 et 3, Fig.6). Si le four est encastré, desserrez
- ⇒ Extrayez le panneau vers l'avant et le bas.

## 2.2 PANNEAU DE COMMANDE (C)



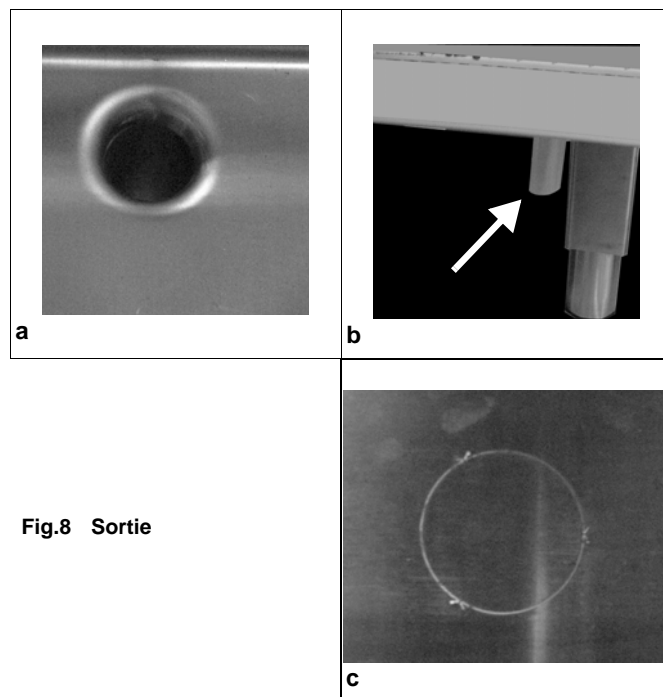
**Fig.7 Panneau de commande**

- ⇒ Enlever l'interrupteur rotatif.
- ⇒ Dévissez les vis placées au-dessous (1 / fig. 7a) et enlevez la plaque support.
- ⇒ Dévissez les vis (2 / fig. 7b) et 3 / fig. 7c)
- ⇒ Enlevez le panneau de commande.

## 2.3 FOUR À CUIRE, ESPACE DE RANGEMENT, ARMOIRE DE MAINTIEN AU CHAUD

- ⇒ Retirez les panneaux A, B et C.
- ⇒ Desserrez les vis (5 / Fig. 5).
- ⇒ Extrayez l'élément.

## 3. SORTIE



**Fig.8 Sortie**

Les plans de travail avec sortie (fig. 8a) sont pourvus d'un orifice de sortie à droite de l'appareil. Un flexible en silicone installé en série débouche en bas à droite, 20 mm derrière le panneau avant de l'appareil (fig. 8b). Le flexible peut, au choix, être placé à l'arrière.

- ⇒ Dans ce cas, on le fait passer à travers d'autres orifices pré-perforés (fig. 8.c).

#### 4. RACCORDEMENT AU GAZ

Le raccordement au gaz, de même que la pose de la conduite d'arrivée de gaz doivent être réalisés exclusivement par un spécialiste agréé, dans le respect des dispositions nationales et locales en vigueur.

##### INSTRUCTIONS

- L'appareil à gaz doit impérativement être installé dans une pièce suffisamment ventilée.
- Les appareils sont prévus pour fonctionner avec du gaz naturel. Le type, la pression et la catégorie du gaz sont spécifiés sur la plaque signalétique. Avant d'effectuer le raccordement, il y a lieu de contrôler si l'appareil est réglé pour le type de gaz disponible. Pour ce faire, comparez les données figurant sur la plaque signalétique avec celles relatives au gaz.
- Si les données ne correspondent pas, le personnel du Service Après-Vente responsable devra procéder à la conversion ou à l'adaptation de l'appareil en fonction des conditions locales. Il conviendra dans ce cas de respecter les points suivants :
  - L'appareil est-il homologué par rapport aux nouvelles données du gaz ?
  - La conversion doit être réalisée conformément au manuel d'entretien.
  - Une nouvelle plaque signalétique ou une indication indélébile présentant les nouvelles caractéristiques du gaz doit être appliquée sur l'appareil.

##### 4.1 RACCORDEMENT

Les appareils fonctionnant uniquement au gaz tout comme les appareils mixtes fonctionnant à l'électricité et au gaz doivent être branchés au gaz.

Le raccordement de gaz se trouve sous l'appareil, à droite. Pour tous les modèles, le raccordement de gaz est de type NPT 3/4".

Nous vous conseillons de demander à l'installateur de poser un collecteur d'impuretés à l'intérieur de la conduite de gaz.

Une fois le raccordement effectué, toutes les tuyauteries du gaz doivent être contrôlées à la pression de fonctionnement afin de s'assurer de leur étanchéité, en les badigeonnant d'agents mousseux non corrosifs (eau savonneuse ou vaporisateur de détection des fuites, par ex.).

##### 4.2 PRESSION DE GAZ

La pression instantanée de gaz devrait être mesurée au régulateur Mertik à l'aide d'un manomètre à tube en U (échelle minimum 0.1 mbar = colonne d'eau de 1 mm).

- ⇒ Retirer le panneau de contrôle. La prise de pression est située vers le bas, sur le conduit d'arrivée du gaz, avant les deux robinets de gaz.
- ⇒ Fermer le conduit de gaz principal menant à l'appareil.
- ⇒ La prise de pression est située sur le côté gauche du régulateur. La pression d'entrée est mesurée à l'avant et la pression de sortie à l'arrière.
- ⇒ Desserrer la vis à fente (1 tour) dans la prise de pression. Connecter ensuite la jauge de pression en fixant un tube flexible à la prise (diamètre externe 8 mm).
- ⇒ Ouvrir le conduit de gaz principal menant à l'appareil.
- ⇒ Faire fonctionner tous les brûleurs de l'appareil à plein débit.
- ⇒ Vérifier si la pression de connexion ne dépasse pas le seuil de tolérance admis.
- ⇒ Eteindre à nouveau l'appareil.
- ⇒ Fermer le robinet de gaz principal.

⇒ Resserrer la vis à fente dans la prise de mesure. Les écarts de tolérance de la pression de gaz sont stipulés dans l'EN 203. Si la pression de gaz existante dépasse les tolérances prescrites, une combustion correcte ne peut plus être garantie. Mesures obligatoires : ajustement de la pression par l'usine à gaz ou conversion de la cuisinière par le personnel qualifié. Veuillez vous référer au point " Conversion à un autre type de gaz ".

##### Tolérances pour la pression de gaz

Les tolérances pour les variations de pression de gaz sont les suivantes : mbar					
Type de gaz		Pression normale		Pression min.	
		inch water g.	mbar	inch water g.	mbar
Gaz naturel USA	A	7	17.4	3.5	8.7
Gaz liquide Propane USA	E	11	27.4	8.0	20

## 5. RACCORDEMENT À L'ARRIVÉE D'EAU

### 5.1 RACCORDEMENT À L'EAU POTABLE

- Avant de raccorder l'appareil, nettoyez à fond les conduites d'eau et la robinetterie pour les débarrasser de toute impureté.
- L'appareil est conçu pour être raccordé à des conduites fixes.
- Les conduites métalliques de l'installation ne doivent pas dépasser de plus de 10 cm du sol ou du mur.
- La pression maximum de l'eau dans la conduite ne doit pas dépasser 6 bar (600 kPa).
- Le tuyau d'alimentation du client doit être équipé d'un filtre mécanique, d'un robinet de sectionnement et d'un clapet anti-retour.
- En général, il est obligatoire de se conformer aux réglementations locales et nationales en matière de raccordement de l'eau.
- L'appareil doit être raccordé au système de nettoyage conformément aux plans et schémas de raccordement.

#### 5.1.1 MONTAGE AUTONOME

Les raccordements d'eau sortent du sol.

- ⇒ Pratiquez dans le fond du socle des ouvertures pour permettre le passage des tuyaux flexibles.
- ⇒ Détachez le panneau avant (B) (voir Chapitre 2.1, page 17).
- ⇒ Si nécessaire, démontez l'espace de rangement ou l'armoire de maintien au chaud.
- ⇒ Raccordez les tuyaux flexibles (5) aux conduites d'eau montées par l'installateur et qui sortent du sol, à l'aide d'un filet intérieur de G 1/2" et en installant ou non une soupape d'arrêt.

#### 5.1.2 MONTAGE MURAL

Les raccordements d'eau sortent du sol ou du mur. Si le raccordement s'effectue au sol (voir Chapitre 5.1.1, page 19).

- ⇒ Tirez les tuyaux flexibles (5) à travers la paroi arrière ouverte et raccordez-les aux conduites d'eau montées par l'installateur et qui sortent du mur, à l'aide d'un filet intérieur de G 1/2" et en installant ou non une soupape d'arrêt.
- ⇒ Positionnez l'appareil contre le mur.

### 5.2 EAUX USÉES

Le tuyau de vidange de l'appareil doit être placé sur une bonde pour eaux usées suffisamment grande.

#### N.B

Bien s'assurer que la bouche d'évacuation de l'eau est suffisamment grande et que l'appareil est correctement positionné.

**III . INSTRUCTIONS DE FONCTIONNEMENT**

**1. GÉNÉRALITÉS**

Pasta Cooker sert à cuire des pâtes alimentaires de toute nature, du riz, des knödel, des boulettes, des légumes ainsi que des soupes. La température désirée peut être ajustée entre le °C 50 et 100.

La cuvette de l'eau a une capacité de 40 litres et est fonctionnée par un brûleur de barre de rendement de 13 kilowatts. Une surface plate est prévue sur la partie avant de la cuve d'eau; elle sert à entreposer et à faire égoutter les paniers.

L'écoulement du trop-plein de la cuve se trouve sous la surface d'entreposage; il sert à l'évacuation de l'eau excédentaire ou de la mousse dans la canalisation au sol.

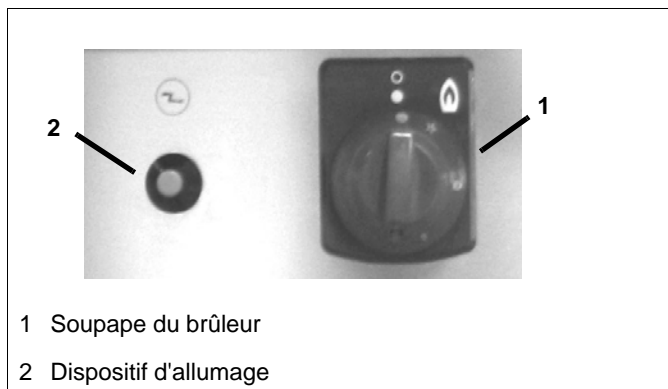
La cuve d'eau ne possède par de joints; elle est intégrée dans le recouvrement de l'appareil. Les coins et arrêtes sont fortement arrondis permettent un nettoyage facile. Toutes les pièces de l'appareil sont en acier inoxydable résistant à la corrosion.

Accessoires conseillés:

- paniers rectangulaires, 1 x GN 1/1, 2 x GN 1/2 or 3 x GN 1/3
- paniers ronds, 3
- Insert pour poser les paniers ronds au fond.
- couvercle

**2. COMMANDE**

- ⇒ En cas d'utilisation de gaz liquide, ouvrez la valve de la bouteille ou du réservoir de gaz.
- ⇒ Alimenter le brûleur à gaz (chapters 2.1 et 2.2).
- ⇒ Ouvrez le robinet d'approvisionnement en eau (4/ Fig. 10) jusqu'à ce que la cuvette soit pleine.
- ⇒ Alimenter le chauffage de cuvette (2.3 and 2.4).
- ⇒ La perte d'eau dans la cuvette peut être remplacée en ouvrant le robinet (4/ Fig. 10).



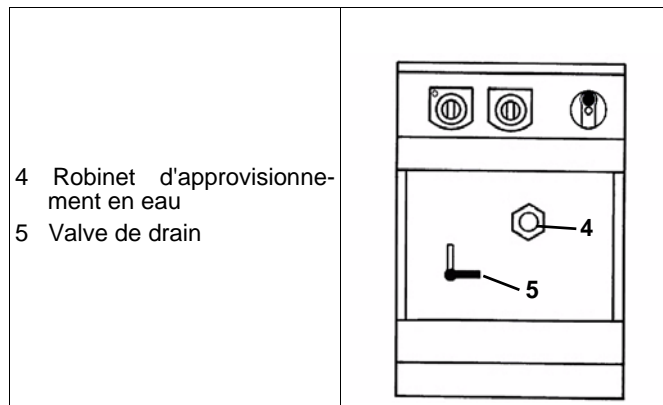
1 Soupape du brûleur  
2 Dispositif d'allumage

**Fig.9 Panneau de commandes**

Les boutons de commande (2/ Fig.2) peuvent prendre quatre positions principales :

- Arrêt
- ★ Allumage du dispositif d'allumage
- 🔥 Puissance maximum
- 🔥 Puissance minimum

**2.1 ALLUMAGE DU DISPOSITIF D'ALLUMAGE**



**Fig. 10 Vue de front**

- ⇒ Appuyez à fond sur (2/ Fig.9) le bouton de commande.
- ⇒ Tournez la manette du dispositif d'allumage dans le sens inverse des aiguilles d'une montre jusqu'à la position (★).
- ⇒ Maintenez le (2 / Fig.9) bouton de commande enfoncé.
- ⇒ Allumez simultanément le gaz qui s'échappe du dispositif d'allumage de piezo. Le brûleur est mis à feu en tournant le bouton (3) dans le sens des aiguilles d'une montre ou dans le sens contraire des aiguilles d'une montre.
- ⇒ Maintenez le bouton de commande enfoncé pendant encore 15 secondes environ, jusqu'à ce que le dispositif d'allumage soit allumé. Une fois ce temps écoulé, lorsque vous relâchez le bouton, la flamme reste allumée.
- ⇒ Si la flamme s'éteint, répétez l'opération décrite ci-dessus.

**2.1.1 ALLUMAGE DU BRÛLEUR PRINCIPAL**

- ⇒ Tournez le (2 / Fig.9) bouton de commande dans le sens inverse des aiguilles d'une montre, de la position d'allumage (★) vers la position haute (🔥).
- La position haute (🔥) correspond à la puissance maximum du brûleur ou à la puissance calorifique nominale.

**2.1.2 RÉGLAGE**

- L'intensité de la flamme peut être réglée entre la position haute (🔥) et la position basse (🔥).
- ⇒ Appuyez à fond sur le (2 / Fig.9) bouton de commande et tournez-le dans le sens inverse des aiguilles d'une montre, de la position haute (🔥) vers la position basse (🔥). La flamme se réduit progressivement. En position basse (🔥), le brûleur principal est à la puissance minimum.
- ⇒ Pour passer de la position basse (🔥) à la position haute (🔥), appuyez à fond (2 / Fig.9) sur le bouton de commande et tournez-le dans le sens des aiguilles d'une montre.

**NB:**

Ne pas enclencher, ou ne pas laisser le chauffage de la cuve enclenché si le niveau d'eau descend au-dessous de repère indiqué sur sa paroi. L'inobservation de cette instruction peut occasionner de graves dommages à la cuve et aux éléments de commande de l'appareil.

**2.2 PREMIÈRE MISE EN SERVICE**

Avant de mettre l'appareil en service, la cuve, les paniers et l'accumulateur doivent être nettoyés à fond, pour enlever la graisse industrielle qui les enduit; pour cela on effectue une cuisson sans aliments, mais avec adjonction d'un savon neutre.

**MISE EN TEMPÉRATURE**

L'eau doit toujours être à un niveau correct; elle doit être propre et peut être constamment maintenue à l'état d'ébullition.

**Avant chaque utilisation contrôler :**

- ⇒ Que le trop-plein (8) de la cuve ne soit pas bouché.
- ⇒ Que les organes de commande ne soient pas endommagés

**2.3 RÈGLES DE TRAVAIL**

- ⇒ Tourner le sélecteur (2/ Fig.9) sur la position haute (A).
- ⇒ Dès que l'eau de la cuve a atteint son point d'ébullition : Ajouter le sel et les ingrédients. Pour éviter la corrosion sur le fond de la cuve, il est recommandé d'utiliser du sel de cuisine raffiné. Si vous n'en disposez pas, dissoudre préalablement du sel dans un récipient d'eau séparé.
- ⇒ Plonger lentement les paniers remplis d'aliments à cuire dans la cuve.  
Le tube de trop-plein garantit le contrôle du remplissage maximum en eau et celui de l'apparition de mousse qui se forme durant la cuisson.
- ⇒ Réglez la température appropriée de cuisine avec le sélecteur (2/ Fig.9), selon la quantité et la qualité de la nourriture à faire cuire.

**2.4 EXTINCTION****2.4.1 BRÛLEUR PRINCIPAL**

- ⇒ Tournez à nouveau la poignée (1/ Fig. 10) dans le sens des aiguilles d'une montre, de la position haute (A) vers la position d'allumage du dispositif d'allumage (★)..  
L'amenée de gaz vers le brûleur principal est interrompue et la flamme principale s'éteint. La flamme du dispositif d'allumage continue de brûler, dans l'attente de l'allumage éventuel du brûleur principal.

**2.4.2 FLAMME DU DISPOSITIF D'ALLUMAGE**

- ⇒ Appuyez légèrement sur la poignée (2/ Fig. 10) et tournez-la dans le sens des aiguilles d'une montre, de la position d'allumage du dispositif d'allumage vers la position d'Arrêt. L'amenée du gaz est interrompue et la flamme s'éteint.
- ⇒ ● = Off
- ⇒ Un nouvel allumage sera possible uniquement lorsque l'élément chauffant sera refroidi.

**2.4.3 VIDANGE DE L'EAU**

- ⇒ Évacuer l'eau du bac en ouvrant le robinet de vidange (5/ Fig. 10) (tourner la manette vers la gauche pour l'amener en position verticale).
- ⇒ Nettoyer les résidus d'aliments dans le bac et les paniers.

**2.4.4 MISE HORS SERVICE**

Lorsque l'appareil est mis hors service pendant une longue période, il convient d'observer ce qui suit :

- ⇒ Fermez le robinet à gaz principal (1 / Fig. 9).  
En cas d'utilisation de gaz liquide, fermez également la valve de la bouteille ou du réservoir à gaz.
- ⇒ N'entreposez jamais l'appareil dans un lieu où la température peut descendre en dessous de 32°F (0°C).
- ⇒ Ne laissez pas la cuve remplie d'eau, car cela empêche une passivation normale de l'acier, ce qui rend les surfaces moins résistantes à la corrosion.
- ⇒ Appliquez un peu d'huile de vaseline à l'aide d'un torchon humide sur toutes les surfaces en nichrome, afin de former une fine couche de protection.
- ⇒ Aérez régulièrement la pièce où est installé l'appareil.
- ⇒ Arrêtez l'approvisionnement en eau.

**3. NETTOYAGE**

Avant de procéder au nettoyage de l'appareil, attendez qu'il soit froid.

Au moins une fois par jour après emploi :

- ⇒ Arrêtez tous les robinets de gaz et soupapes de commande de l'appareil.
- ⇒ Vider l'eau de la cuve.

- ⇒ Nettoyer les gicleurs de sortie à l'aide d'une brosse.
- ⇒ Retirer le filtre sur le fond du bac d'eau (décrocher l'agrafe) et le nettoyer.
- ⇒ À l'aide d'un écouvillon, nettoyer la sortie sur le fond du bac et le trop-plein (8).
- ⇒ En utilisant une brosse, laver le bac à l'eau savonneuse additionnée d'un produit dégraissant.
- ⇒ Rincer ensuite à l'eau chaude et bien essuyer avec un torchon propre ou du papier absorbant.
- ⇒ Nettoyez les revêtements en nichrome anti-rouille à l'eau savonneuse, additionnée d'un peu de détergent à vaisselle, et essuyez soigneusement.

Ne pas sécher l'eau contenant du sel de cuisine ou des aliments dans la chaudière pour éviter les risques de corrosion.

**NB:**

- ⇒ Ne nettoyez jamais l'appareil à l'aide d'un jet d'eau ou d'un appareil de nettoyage sous pression.
- ⇒ Nettoyez le sol tout autour de l'appareil selon la méthode traditionnelle, à savoir sans utiliser d'appareil de nettoyage sous pression.
- ⇒ Ne pas utiliser d'objets pointus ou coupants pour le nettoyage du tuyau de vidange car ils pourraient endommager le caoutchouc.
- ⇒ Ne jamais utiliser de liquides inflammables pour nettoyer l'intérieur de l'appareil.
- ⇒ N'utilisez en aucun cas de la **laine de fer**, des **spatules** ou des **brosses métalliques** en acier non traité pour nettoyer les surfaces, car les particules de fer susceptibles de s'y déposer pourraient entraîner la formation de rouille. Vous pouvez éventuellement utiliser de la laine en acier allié, en la faisant toutefois glisser dans le sens de l'abrasion.
- ⇒ Pour le nettoyage des parties en nichrome, n'utilisez jamais de produits à base de chlore (eau de Javel, produit contenant de l'eau chlorurée, etc.), même sous une forme diluée.
- ⇒ Ne nettoyez en aucun cas le fond extérieur de l'appareil au moyen de substances corrosives (acide muriatique, par ex.), mais utilisez les produits de nettoyage disponibles dans le commerce.

**3.1 BRÛLEUR**

Des brûleurs d'allumage et des brûleurs principaux deviennent, pour autant que nécessairement, nettoyés du service Après-vente.

**3.2 FLAMMES**

A l'œil nu, les flammes doivent être de couleur bleu foncé sans pointe jaune ou orange et stables. Elles ne doivent pas produire de suie et doivent adhérer, en outre, correctement aux ouvertures de sortie.

En l'absence d'air primaire, la flamme présente des veines et des pointes jaunes ; si la quantité d'air primaire est trop importante, la flamme est courte, transparente et tend à se détacher du brûleur.

Lorsque la flamme est réglée correctement, elle ne doit pas se détacher du brûleur, que celui-ci soit froid ou chaud, et ne doit pas donner de retours.

Un retour de flamme se produit à l'intérieur du brûleur lorsque la vitesse du mélange gaz-air à travers les ouvertures du brûleur devient insuffisante, principalement suite à l'encrassement des voies d'air.

En outre, les processus d'allumage doivent se produire sans retards. En particulier, au moment de l'allumage du dispositif d'allumage et de la propagation de la flamme sur toute la zone du brûleur.

Si la flamme ne répond pas à tous ces critères, il est nécessaire de procéder à un nettoyage ou à un entretien.

**4. PROBLÈME**

<b>Problème</b>	<b>Cause</b>	<b>Solution</b>
Le Pasta Cooker surchauffe; la puissance est trop faible.	<ul style="list-style-type: none"> <li>Niveau de l'eau trop bas.</li> </ul>	- Remplissez avec de l'eau.
La flamme produit beaucoup de suie.	<ul style="list-style-type: none"> <li>Le mélange gazeux est trop épais.</li> <li>Les orifices du brûleur sont partiellement bouchés.</li> </ul>	- Adressez-vous au Service Après-vente
La pointe des flammes est longue et de couleur jaune.	<ul style="list-style-type: none"> <li>La section du tuyau de mélange est rétrécie en raison de la présence de salissures.</li> </ul>	- Adressez-vous au Service Après-vente
La flamme s'éteint.	<ul style="list-style-type: none"> <li>La vitesse de refoulement est trop élevée suite à l'encrassement des orifices du brûleur.</li> <li>Le régulateur de pression du gaz en bouteille est défectueux.</li> </ul>	- Adressez-vous au Service Après-vente
Il y a des retours de flamme.	<ul style="list-style-type: none"> <li>Le mélange de gaz est trop pauvre.</li> <li>La vitesse de refoulement au niveau des orifices du brûleur est insuffisante.</li> <li>Les voies d'aération sont encrassées</li> <li>L'injecteur est obstrué.</li> </ul>	- Adressez-vous au Service Après-vente
Il n'y a pas de flamme ou l'intensité de la flamme est trop faible	<ul style="list-style-type: none"> <li>L'injecteur ou le tuyau de mélange est obstrué.</li> <li>Le tuyau d'arrivée du gaz est obstrué.</li> <li>Il n'y a pas de gaz.</li> <li>La pression du gaz est trop basse.</li> </ul>	<ul style="list-style-type: none"> <li>- Adressez-vous au Service Après-vente</li> <li>- Vérifiez l'installation du tuyau d'arrivée du gaz.</li> </ul>
Il n'y a pas de flamme lorsque le réglage est au ralenti.	<ul style="list-style-type: none"> <li>L'injecteur du ralenti est obstrué.</li> </ul>	- Adressez-vous au Service Après-vente
<b>Dispositif d'allumage</b>		
Il n'y a pas de flamme.	<ul style="list-style-type: none"> <li>Les orifices du brûleur sont obstrués.</li> <li>L'injecteur est obstrué.</li> </ul>	- Nettoyez la calotte du dispositif d'allumage.
La flamme s'éteint après le relâchement de la soupape de régulation.	<ul style="list-style-type: none"> <li>Le thermoélément ne chauffe pas suffisamment (est-il encrassé ?)</li> <li>Le thermoélément est défectueux.</li> </ul>	- Adressez-vous au Service Après-vente.
La flamme est trop ou pas assez puissante.	<ul style="list-style-type: none"> <li>Le rapport d'air primaire est dérégulé.</li> <li>L'injecteur est bouché.</li> </ul>	- Adressez-vous au Service Après-vente.



62.8504.11 Table of nozzle - Tableau de gigueur **thermaline S90 Gas Pasta Cooker (14.3 kW)**

		Gas type	±1% Nominal pres- sure with burner in operation		±1% Pressure after the pressure regulator with burner in opera- tion		Category	Main flame			Small flame			Ignitions burner			Air adjustment Distance X	
			inch Water Gauche	mbar	inch Water Gauche	mbar		in	mm	No.	in	mm	No.	No.	No.	in	mm	
Natural gases	21	Natural gas USA	7.0	17.4	6.0	15	A	0.116	2.95	72.7803.18	0.071	1.80	712 345064.36	0.98	25	1 106 1234	1.18	30
	22																	
	23																	
	24																	
Liquid gases	25	Propane gas USA	11.0	27.4	10.0	25	E	0.079	2.00	72.7803.12	0.047	1.20	712 345064.21	0.94	24	1 106 1235	1.18	30
	26																	
	27																	
	28																	

