

Item
Model
ProjectName



601188

BMXE80

Professional 80 litre capacity planetary mixer to perform all the functions of a beater mixer: kneading all types of doughs and pastries, mixing semi-liquids, emulsions and various sauces. With the BMXE80, the professional user has a very wide range of speeds, from very slow to ultra-quick, and an extensive choice in between.

FEATURES

- The BMXE80 has a two level speed variator which provides a speed from 20 to 180 rpm.
- The speed variator is controlled by an electric motor. The speed is varied by means of two continuous pressure push buttons, one for increasing and the other for reducing the speed.
- 18/8 stainless steel 80 litre bowl.
- Stainless steel spiral kneading hook, designed to stop the pastry from rising up.
- Protected bowl.
- Geared reducer for the raising and lowering of the bowl.
- Bowl trolley with bumpers and swivelling castors.

Planetary mixers



DITO**Electrolux**

Specifications

MODEL	BMXE80S 601188	BMXE80AS 601189
External dimensions - mm		
width	685	685
depth	1030	1030
height	1445	1445
Working capacity - kg of flour		
Choux pastry	12.5	12.5
Shortcrust pastry	20	20
Cold water paste	25	25
Sweet pastry	20	20
Croissant	23	23
Brioche	23	23
Meat kg	38	38
Puree - kg of potatoes	38	38
Power - kW		
installed-electric	2	2
Net weight - kg.	340	310
Supply voltage	230/400 V, 3, 50	230/400 V, 3, 50
Accessory Hub		✓



DITO**Electrolux**

Included accessories

CODE	DESCRIPTION	BMXE80S 601188	BMXE80AS 601189
653132	BOWL FOR 80LT MIXER	1	1
653585	BOWL TROLLEY-40/60/80LT PLANETARY MIXERS	1	1
653133	DOUGH HOOK FOR 80LT MIXER	1	1
653135	PADDLE FOR 80LT MIXER	1	1
653134	WHISK FOR 80LT MIXER	1	1

Optional accessories

CODE	DESCRIPTION	BMXE80S 601188	BMXE80AS 601189
653034	40L BOWL,HOOK,PADDLE,WHISK FOR 60L MIXER	✓	✓
653085	60L BOWL,HOOK,PADDLE,WHISK FOR 80L MIXER	✓	✓
653132	BOWL FOR 80LT MIXER	✓	✓
653443	BOWL SCRAPER 80LT	✓	✓
653585	BOWL TROLLEY-40/60/80LT PLANETARY MIXERS	✓	✓
653133	DOUGH HOOK FOR 80LT MIXER	✓	✓
653433	ELECTRIC HEATING FOR 60/80L PLANET.MIXER	✓	✓
653482	HEAVY DUTY HOOK FOR 80LT PLANETARY MIXER	✓	✓
653016	MEATMINCER 70MM-H HUB-ENTERPR.CUT+3DISCS		✓
653135	PADDLE FOR 80LT MIXER	✓	✓
653226	PLANETARY MIXER 10L-H HUB-DISCONN.DRIVE		✓
653187	PUREE STRAINER FOR H HUB WITH 3 GRIDS		✓
653232	S/S MEATMINCER 82MM-H HUB-ENTERPR+1 DISC		✓
653062	SHARPENING GRINDSTONE FOR H HUB		✓
653225	VEGETAB.CUTTER H HUB+EJECTOR-DISCONNECT.		✓
653015	VEGETABLE CUTTER H HUB WITH EJECTOR		✓
653134	WHISK FOR 80LT MIXER	✓	✓

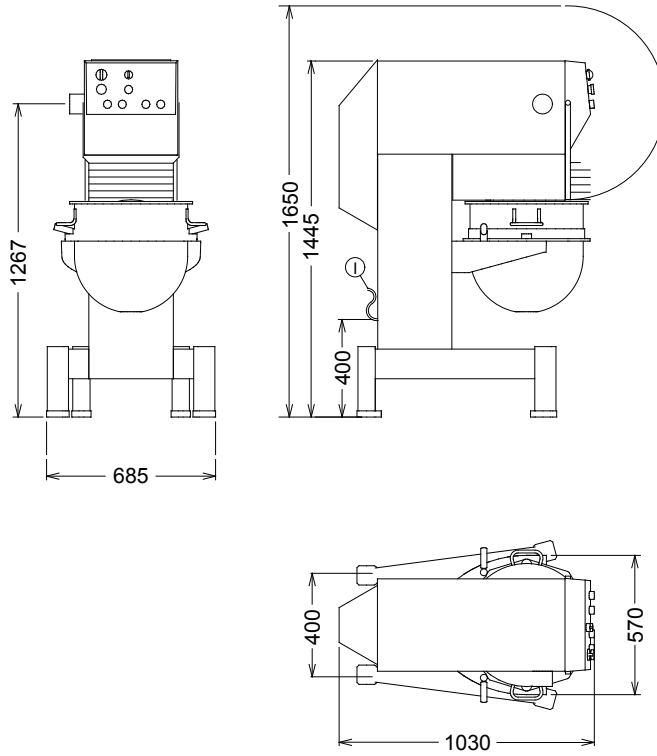


DITO

Electrolux

Installation drawings

601188, 601189



MODEL

I - Electrical connection

BMXE80S
601188

230/400 V, 3, 50

BMXE80AS
601189

230/400 V, 3, 50

The manufacturer reserves the right to modify and make improvements to the products without giving prior warning. Dimensions, illustrations, technical data, weights, etc. are given as an indication only.



www.dito-electrolux.com

Planetary mixers

ADAM010

