

fridge - freezer

ENB 39405 W
ENB 40405 W
ENB 35405 W
ENB 40405 S

We were thinking of you
when we made this product

Welcome to the world of Electrolux

Thank you for choosing a first class product from Electrolux, which hopefully will provide you with lots of pleasure in the future. The Electrolux ambition is to offer a wide variety of quality products that make your life more comfortable. You find some examples on the cover in this manual. Please take a few minutes to study this manual so that you can take advantage of the benefits of your new machine. We promise that it will provide a superior User Experience delivering Ease-of-Mind. Good luck!

Before installing and using the appliance read this user's instruction book carefully. It contains safety precautions, hints, information and ideas. If the refrigerator is used in compliance with these instructions, it will operate properly and provide you with the greatest satisfaction.

The symbols below help you to find things more easily:



Safety precautions

Warnings and information at this symbol serve safety for you and your appliance.



Hints, useful information



Environmental information



Symbol for ideas

At this symbol ideas can be found according to food and its storing.



The symbol on the product or on its packaging indicates that this product may not be treated as household waste. Instead it should be taken to the appropriate collection point for the recycling of electrical and electronic equipment. By ensuring this product is disposed of correctly, you will help prevent potential negative consequences for the environment and human health, which could otherwise be caused by inappropriate waste handling of this product. For more detailed information about recycling of this product, please contact your local council; your household waste disposal service or the shop where you purchased the product.

IMPORTANT SAFETY INSTRUCTIONS

These warnings are provided in the interests of your safety. Ensure that you understand them all before installing or using this appliance. Your safety is of paramount importance. If you are unsure about any of the meanings or these warnings contact the Customer Care Department.

Prior to installation

- Check the appliance for transport damage. Under no circumstances should a damaged appliance be installed. In the event of damage please contact your retailer.

Installation

- This appliance is heavy. Care should be taken when moving it.
- It is dangerous to alter the specifications or attempt to modify this product in any way.
- Ensure that the appliance does not stand on the electrical supply cable. If the supply cable is damaged, it must be replaced by a cable available from your local Service Force Centre.
- **Make sure that the power plug has not been squashed or damaged during transit.**
 - A damaged power plug may overheat and cause a fire.
- **As you unpack the appliance, check carefully for any signs of transit damage.**
- **Do not place heavy articles or the fridge/freezer itself on the power cord.**
 - There is a risk of a short circuit and fire.
- **Do not remove the power cord by pulling on its lead, particularly when the fridge/freezer is being pulled out of its niche.**
 - Damage to the cord may cause a short-circuit, fire and/or electric shock.
 - If the power cord is damaged, it must be replaced by a certified

service agent or qualified service personnel.

- **If the power plug socket is loose, do not insert the power plug.**
 - There is a risk of electric shock or fire.
- Any electrical work required to install this appliance should be carried out by a qualified electrician or competent person.
- Parts which heat up should not be exposed. Whenever possible, the back of the appliance should be close to a wall, but leaving the required distance for ventilation, as stated in the installation instructions.
- The appliance should be left for 2 hours after installation before it is turned on, in order to allow the refrigerant to settle.

Child Safety

- Do not allow children to tamper with the controls or play with the product.
- Keep packaging materials away from children, to prevent the risk of suffocation!
- This appliance is not intended for use by persons (including children) with reduced physical, sensory or mental capabilities, or lack of experience and knowledge, unless they have been given supervision or instruction concerning use of the appliance by a person responsible for their safety. Children should be supervised to ensure that they do not play with the appliance.

Safety precautions for isobutane

Warning

- The refrigerant isobutane (R 600a) is contained within the refrigerant circuit of the appliance, a natural gas with a high level of environmental compatibility, which is nevertheless flammable.
- Keep ventilation openings, in the appliance enclosure or in the built-in structure, clear of obstruction.
- Do not use mechanical devices or other means to accelerate the defrosting process, other than those recommended by the manufacturer.
- Do not damage the refrigerant circuit.
- Do not use electrical appliances inside the food storage compartments of the appliance.

During Use

- This appliance is designed for domestic use only, specifically for the storage of edible foodstuffs. It is not intended for commercial or industrial use.
- Containers with flammable gases or liquids can leak at low temperatures. Do not store any containers with flammable materials, such as spray cans, fire extinguisher refill cartridges etc. in the appliance.
- Frozen food should not be refrozen once it has thawed out.
- Do not place carbonated or fizzy drinks in the freezer compartment.
- Ice lollies can cause 'frost/freezer burns' if consumed straight from the freezer.
- Do not remove items from the freezer compartment if your hands are damp/wet, as this could cause skin abrasions or frost/freezer burns.
- Bottles and cans must not be placed in the freezer compartment they can burst when the contents freeze.

- Manufacturers' recommended storage times should be adhered to. Refer to relevant instructions.

Maintenance and Cleaning

- Before cleaning, always switch off the appliance and disconnect from the electrical supply.
- When unplugging always pull the plug from the mains socket, do not pull on the cable.

Servicing


- This product should be serviced by an authorised engineer and only genuine spare parts should be used.
- Under no circumstances should you attempt to repair the appliance yourself. Repairs carried out by inexperienced persons may cause injury or serious malfunctioning. Contact your local Service Force Centre.

At the end of the Appliance Life

- When disposing of your appliance use an authorised disposal site.
- Remove the plug and ensure that any locks or catches are removed, to prevent young children being trapped inside.



The Appliance and the Environment

This appliance does not contain gases which could damage the ozone layer. Avoid damaging the cooling unit. The packaging used on this appliance marked with the  symbol is recyclable.

Keep this instruction book for future reference and ensure it is passed on to any new owner.

Contents

Instructions for the User

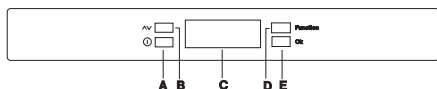
Important safety information	5
Instructions for the User	9
General information.....	9
Use	9
Control panel	9
Display	9
First switch on	9
Switching off	10
Functions Menu	10
Select / Switch off / Switch on each compartment	10
Temperature selection.....	10
Ambient Temperature Function	11
Child lock Function	11
Use of the fridge compartment	11
How to use the refrigerator.....	11
Temperature regulation.....	11
Holiday Function	11
Shopping Function	12
Eco mode Function	12
Drinks Chill Function.....	12
Air Filter	13
Drawer	13
The Refrigerator	13
Storage Shelves.....	14
Storage Times	14
How to use the water dispenser with BRITA MAXTRA filter cartridge	14
BRITA water filter unit	14
INITIAL OPERATIONS TO USE YOUR WATER DISPENSER	15
WATER DISPENSER CLEANING PROCEDURE	15
STEP 1: PREPARING THE CARTRIDGE	16
STEP 2: INSERT IN THE WATER TANK	16
STEP 3: RINSE CARTRIDGE	16
STEP 4: REFILL WATER TANK.....	16
REMOVE CARTRIDGE WITH RING PULL HANDLE	17
THE BRITA MEMO	17
IMPORTANT INFORMATION	18
Use of the freezer compartment	19
Storage of frozen food	19
Temperature regulation.....	19
Excessive temperature alarm	20
Freezing fresh food	20
Storing in the freezer	21

Frozen Food Storage	21
Removal of freezing baskets from the freezer	21
Thawing	22
To Make Ice Cubes	22
Hints & Tips	22
Normal Operating Sounds	22
Food Storage	22
Energy Saving Advice	23
In the Event of a Power Failure	23
Maintenance and Cleaning	23
External Cleaning	24
When the Appliance is not in Use	24
Changing the Carbon Filter	24
Defrosting	24
To Change the Light Bulb	24
Something Not Working	26
Service and Spare Parts	27
Customer Care Department	27
Guarantee Conditions	28
Instructions for the Installer	30
Technical data	30
Installing the appliance	31
Transportation, unpacking	31
Cleaning	31
Location	31
Levelling the Appliance	32
Ventilation Requirements	32
Removal of glass shelf blockers from the product	32
Installation of the Carbon Filter	33
Door reversal	33
Electrical Connection	36
Storage time chart	37

Instructions for the User

Use

Control panel



- A - Appliance button ON/OFF
- B - Temperature regulation button
- C - Temperature and function indicator
- D - Function button
- E - Confirmation button

DISPLAY



- if on the indicated compartment is on;
- if on the indicated temperature is that of the relative compartment

if it flashes the operations corresponds to the relative compartment

- Excessive temperature alarm

- If on the temperature indicated is the ambient temperature

- Positive or negative Temperature indicator

Temperature indicator

- If on the child lock function is on

If on the timer function is on

- If on the shopping function is on
- If on the Drinks Chill function is on
- If on the fast freeze function is on
- If on the Eco mode function is on

First switch on

After connecting the appliance to the mains supply, if the display is not illuminated, press key (A), to turn the appliance on.

As soon as the appliance is turned on, it is in alarm condition, the temperature flashes and you will hear a buzzer.

Press key (E) and the buzzer will go off (also see the section on "excessive temperature alarm") the icon still flashes and on the indicator will appear the warmest temperature reached.

For the correct storage of the food select the Eco mode function that guarantee the following temperatures are set:

+5°C in the fridge

-18°C in the freezer

- Wait until the inside temperature reaches -18°C, before putting food in the freezer compartment.
- To select a different temperature see "Temperature regulation".



Important

If the door remains ajar for some minutes, the internal lighting will turn off electronically; after this, the lighting function will be reset by closing and opening the door.

Switching off

The appliance is shut off by pressing key (A) for more than 1 second. After this, a countdown of the temperature from -3 -2 -1 will be shown.

When the appliance is shut off, the ambient temperature is shown and the corresponding icon is lit.

Functions Menu

The functions menu is activated by pressing the key D. Each function could be confirmed by pressing button E. If there is no confirmation after some seconds the display will go out from the menu and return to normal condition.

The following functions are indicated:



Select/Switch off/Switch on fridge compartment



Select/Switch off/Switch on freezer compartment



Ambient Temperature



Child lock function



Shopping function



Eco mode function



Fast freeze function



Drinks Chill function

Select /Switch off /Switch on each compartment

Temperature selection

The temperature may be regulated by pressing the key (D) to select the compartment and than the key (B) to set the desired temperature.


By pressing the key (B) the current temperature setting flashes on the indicator. To confirm the choice of the temperature press the key (E).

You will hear the buzzer for few seconds and the indicator displays the newly selected temperature for a few seconds, then shows again the inside compartment temperature.

The newly selected-temperature will be reached after 24 hours.

After a long period out of use it is not necessary to set the temperature again because it remains stored.

Ambient Temperature Function


The ambient temperature function is activated by pressing key D (several times if necessary) until the corresponding icon appears .

In this condition the selected temperature is the ambient temperature.

You must confirm the choice by pressing key E within few seconds. You will hear the buzzer and the icon remains lit.

It is possible to de-activate the function at any time by pressing key D until the corresponding icon flashes and then key E.

Child lock Function

The child lock function is activated by pressing key D (several times if necessary) until the corresponding icon appears .


You must confirm the choice by pressing key E within few seconds. You will hear the buzzer and the icon remains lighted.


In this condition any possible operation through the keys does not cause any change as long as this function is activated.

It is possible to de-activate the function at any time by pressing key D until the corresponding icon will flash and then key E.


Use of the fridge compartment

How to use the refrigerator

 Sufficient air circulation is required for the proper operation of this appliance. For this reason you are asked not to cover the air circulation gaps behind the shelves (e.g. with tray etc.).

 **Do not put hot food into the refrigerator. Allow it to reach room temperature naturally. In this**

way unnecessary frost building up can be avoided.

 **Food odours can be transferable, so it is essential to put foods in closed dishes or wrap them in cellophane, aluminium foil, grease-proof paper or cling film before placing them into the refrigerator. This way foods will keep their moisture e.g. vegetables will not dry out after some days.**

Temperature regulation

The temperature of this compartment may be regulated between +2°C and +8°C.

During normal functioning the indicator shows the temperature inside the fridge.



Attention!

A Difference between the temperature displayed and the actual temperature is normal. Especially when:

- a new setting has recently been selected
- the door has been left open for a long time
- warm food has been placed in the compartment.

Holiday Function "H"

The holiday function sets the temperature at + 15°C.

This function allows you to keep the refrigerator shut and empty during a long holiday period (e. g. the summer holidays) without the formation of a bad smell.

1. To turn on the holiday function modify the selected temperature. The temperature indicator can modify the displayed temperature up to + 8 °C, 1 °at a time. + 2 °C will be followed by the letter "H ". Press key E to confirm.

Now the refrigerator is in the "holiday function" in the energy- saving mode.




Attention!

The fridge compartment must be empty with holiday function on.

Shopping Function

If you need to insert a large amount of warm food, for example after doing the grocery shopping, we suggest activating the Shopping function to chill the products more rapidly and to avoid warming the other food which is already in the refrigerator.

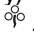
The shopping function is activated by pressing key D (several times if necessary) until the corresponding icon appears .

You must confirm the choice by pressing key E within few seconds. You will hear the buzzer and the icon remains lit.

The shopping function shuts off automatically after approximately 6 hours.

It is possible to de-activate the function at any time by pressing key D until the corresponding icon flashes and then key E.

Eco mode Function


The Eco mode function is activated by pressing key D (several times if necessary) until the corresponding icon appears .

You must confirm the choice by pressing key E within few seconds. You will hear the buzzer and the icon remains lit.

In this condition the chosen temperatures are automatically set (+ 5°C e - 18°C), in the best conditions for storing food. It is possible to de-activate the function at any

time by changing the selected temperature in one of the compartment.



Drinks Chill Function

The Drinks Chill function, designed for the rapid cooling of the drinks in the freezer compartment, is activated by pressing key D (several times if necessary) until the corresponding icon appears .

You must confirm the choice by pressing key E within few seconds. You will hear the buzzer and the icon remains lit.

In this condition it operates a timer with a default value of 30 min and it could change from 1 to 90 min, by pressing key B you select the desired time in minutes.

At the end of the selected time there are the following indications:

- on the indicator the symbol flashing ;
- the icon flashing .
- the icon flashing .
- sounding of an acoustic alarm until key E is pressed.

At this point bear in mind to remove the drinks contained in the freezer compartment.

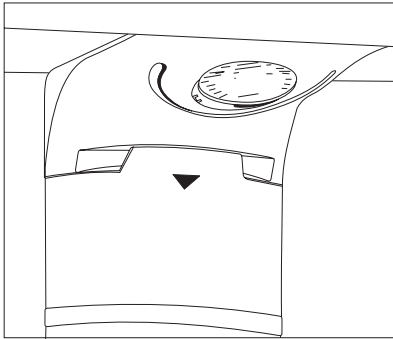
It is possible to de-activate the function at any time by pressing key D until the corresponding icon flashes and then key E.

Air Filter

Your appliance is equipped with a carbon filter behind a flap in the rear wall of the air distributing box.

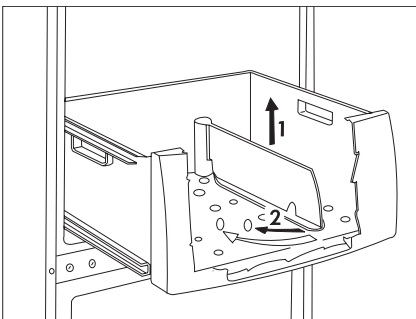
The filter purifies the air from unwanted odours in the fridge compartment meaning that the storage quality will be further improved.

Note: Always keep the air ventilation flap closed.



Drawer

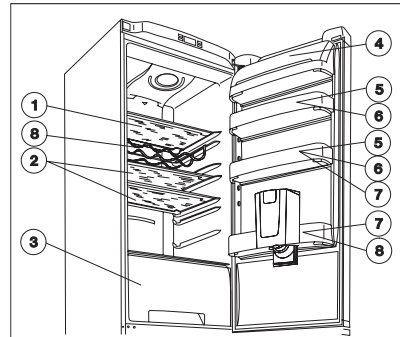
The drawer is suitable for storing fruit and vegetables. There is a separator inside the drawer that can be placed in different positions to allow you to separate food if necessary.



The Refrigerator

Below is the recommended storage positions for various food types:

1. Ready-cooked foods, fresh meat, cold cuts.
2. Milk, dairy products.
3. Fruits, vegetables, salads.
4. Cheese, butter.
5. Eggs.
6. Yoghurt, sour cream.
7. Small bottles, drinks.
8. Large bottles, drinks.



ENB 39405 S

Storage Shelves

The shelves in the refrigerator compartment are adjustable to allow for the storage of large items.

To re-arrange the shelves, open the door to 90°.

Storage Times

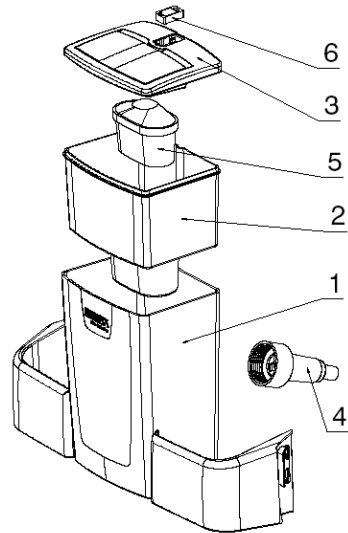
The storage chart at the end of the instruction book gives information on storage times in the refrigerator compartment. The storage times quoted are intended as a guide only.

- Do not cover the shelves with paper or trays etc. as this will affect the air circulation within the refrigerator compartment.
- Do not put hot foods in the refrigerator, allow hot foods to reach room temperature naturally before placing in the refrigerator.
- Cover foods, or place in closed dishes before placing them in the refrigerator, this prevents any transference of food smells.

How to use the water dispenser with BRITA MAXTRA filter cartridge

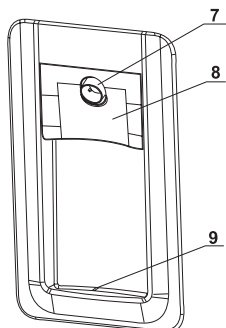
BRITA water filter unit

Internal components:



1. water tank
2. funnel
3. tank lid
4. valve + gasket
5. including BRITA MAXTRA filter cartridge
6. BRITA Memo - the electronic cartridge exchange indicator

External components:



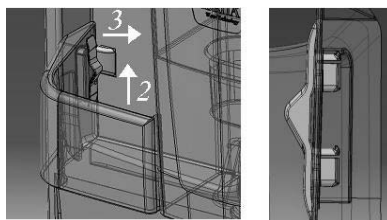
- 7. Dispenser
- 8. Water Lever
- 9. Water drop tray

INITIAL OPERATIONS TO USE YOUR WATER DISPENSER

1. Remove every tape and other protection system from the tank assembly;
2. Clean the components as described in the WATER DISPENSER CLEANING PROCEDURE section in order to remove eventual residues;

WATER DISPENSER CLEANING PROCEDURE

1. Unblock the two stopping elements on the sides of the tank as shown in the pictures;
 - Take out the BRITA MAXTRA cartridge from the water filter unit
 - Press the retainer in the middle and move it up.
 - Move the retainer into direction of the central tank



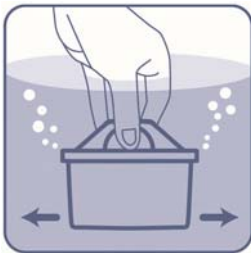
2. Push up the tank along the direction of the Valve
3. Remove the lid and the funnel
4. Unscrew the valve in a counter clockwise direction (pay particular attention not to lose the Valve Gasket).
5. Clean the tank lid, the valve and the gasket with a solution of warm water and neutral soap. Rinse it and put it inside the door hole during the cleaning of the other components (in order to avoid cold air leakage from the fridge);
6. Clean the tank and funnel in the dishwasher or with a solution of warm water and neutral soap and rinse them;
7. After cleaning the tank components remove the valve from the fridge door and assemble the tank in the reverse order (4;3;2;1) of disassembly (pay attention to the positioning of the valve gasket)
8. Put the assembled tank on the door along the valve direction;
9. Replace the retainers in the reverse order of removal;

10. Insert again the BRITA MAXTRA cartridge in the funnel as described in section "How to change the BRITA MAXTRA cartridge".

How to use the BRITA MAXTRA filter cartridge

STEP 1: PREPARING THE CARTRIDGE

To prepare your BRITA filter cartridge, please remove protective wrapper (note: cartridge and inside wrapper may appear moist, this is simply condensation). Immerse cartridge in cold water and shake it gently to remove any air bubbles. The filter now is ready to use. As required for other water filter cartridges, there is no need to pre-soak the new Maxtra Cartridge.



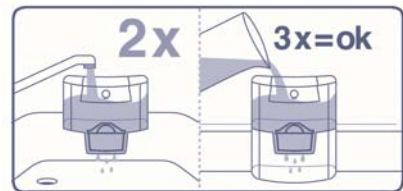
STEP 2: INSERT IN THE WATER TANK



Remove the tank lid. Before inserting the cartridge, remove the funnel and

clean it thoroughly by rinsing it and wiping it dry. Then thoroughly clean the inside of the water tank with a damp cloth and wipe it dry as well. Place the cartridge into the filter tank and push downwards until it 'clicks' firmly into place. The cartridge should stay in place if the funnel is turned upside down.

STEP 3: RINSE CARTRIDGE



Take the funnel out of the BRITA water filter unit, fill it under the tap with cold tap water and allow it to filter through. Discard the first two fillings into the sink. These first two fillings are used to flush the filter cartridge.

Then place the funnel back into BRITA water filter unit.

Place the cover back onto the jug and press it carefully downwards to ensure it fits correctly into place.

STEP 4: REFILL WATER TANK

To fill the tank with cold water, simply open the flip top lid, take a jug of tap water and pour it inside the tank through the cover as shown into the picture (use the lid every time that you want to filter your water).



Important!

In order to avoid risk of spillage of water during closing and opening of the

refrigerator door, we recommend to not fill completely the water tank but leave a head space of air.

NOTE: IF YOU HAVE NOT USED ALL FILTERED WATER IN THE WATER TANK WITHIN 1-2 DAYS PLEASE DISCARD ANY WATER LEFT INSIDE THE BRITA WATER FILTER UNIT BEFORE REFILLING IT.



Allow the water to filter through and repeat STEP 4 as many times as you want until the BRITA water filter unit is filled up;

REMOVE CARTRIDGE WITH RING PULL HANDLE



To exchange the cartridge after four weeks, simply use the ring pull handle on the top of the cartridge to remove it from the funnel, and repeat steps 1 - 3 above;

THE BRITA MEMO

For maximum filter performance and optimum taste, it is important to change your BRITA cartridge regularly. BRITA recommends that you replace the cartridge in the BRITA unit of your fridge every four weeks.

BRITA Memo automatically reminds you when to change the cartridge.



The unique BRITA Memo measures the recommended time of use of your cartridge. Memo is easy to use and automatically reminds you when to change your cartridge. The BRITA Memo is located on the lid of the water tank. Operation is really simple.

Start the Memo display:

To start Memo please press and hold down the start button on the lid until all four bars appear in the display and flash twice. The Memo is now set.



Functional control:

The flashing dot in the bottom right corner of the Memo indicates that the Memo is working.



Change display:



Every week one bar will disappear to show the remaining cartridge life. After four weeks all four bars will disappear. This, and a flashing arrow indicate that the cartridge should now be changed. Insert a new cartridge according to the instructions and reactivate the Memo as described above.

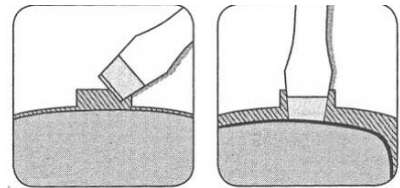


NOTE: When only one bar is showing, you should just check whether you have a new BRITA MAXTRA filter cartridge to hand.

Important: The Memo is only designed to be used with BRITA filter cartridges. BRITA "MEMO" - The electronic cartridge exchange indicator has a life of approximately 5 years. At the end of the "MEMO's" life please remember that it is an electronic device and to dispose on the "MEMO" according to all applicable provisions and regulations.

To remove the exhausted "MEMO" place a screwdriver in the notch next to the "MEMO" and push it out.

Please note that the "MEMO" should not be removed for any other reason than to dispose of it.



IMPORTANT INFORMATION


- The fridge door valve hole **MUST BE CLOSED** with the **WATER VALVE** during the regular functioning of the appliance
- Use only drinking water. The use of any other drink type can leave residues, taste or odour in the reservoir and in the tap
- It is possible to hear noises when air enters and water leaves the reservoir
- In case the water does not flow well, press the driving lever once again. Keep the glass below the tap for a little while, to ensure that all the water is collected.

- Do not use carbonated liquids, such as fizzy drinks. The drink can leak due to the gas pressure
- Please consume filtered water within one to two days.
- Should your BRITA water filter unit not be in use for a prolonged period (e.g. vacation), we recommend that you discard any water left inside the system and leave the cartridge inside the filter tank. Before using the system again take out the cartridge and repeat steps 1 to 4 of How to use the BRITA MAXTRA water filter cartridge.
- The BRITA water filter unit is designed for use only with municipally treated tap water (note: this water is constantly controlled and according to legal regulations safe to drink) or with water from private supplies which has been tested safe to drink. If an instruction is received from the authorities that mains water must be boiled, the BRITA filtered water should also be boiled. When the instruction to boil water is no longer in force, the entire filter system must be cleaned and a new cartridge inserted.

 **You can purchase new BRITA filter cartridges and 'Memo' through consumer your local Service Force Centre or BRITA.**

More information on the use of BRITA filter cartridges and the 'Memo' can be found in the BRITA information guide.

Use of the freezer compartment

The freezer is provided with the symbol  which means that it is suitable for freezing fresh food and for long term storage of frozen and deep-frozen food.

Storage of frozen food

Before first use or after a period out of use, before putting the products in the compartment let the appliance run for at least 12 hours.

Temperature regulation

The temperature may be regulated between -15°C and -24°C .

We suggest setting the internal temperature of approximately -18°C , which guarantees proper freezing and conservation of the frozen foods.



Attention!

During the stability period when the appliance is first switched on, the temperature displayed will not correspond to the actual temperature.



Attention!

A difference between the temperature displayed and the actual temperature is normal. Especially when:

- a new setting has recently been selected
- the door has been left open for a long time
- warm food has been placed in the compartment

A difference up to 5°C inside the compartment are quite normal.

During normal operation the indicator shows the warmest temperature inside the compartment.





Important

In the event of accidental defrosting, for example due to a power failure, if the power has been off for longer than the value shown in the technical data chart under "rising time", the defrosted food must be consumed quickly or cooked immediately and then refrozen (after cooling).


Excessive temperature alarm

An increase in the temperature in the freezer compartment (for example due to a power failure) is indicated by:

- flashing temperature;
- freezer compartment flashing ;
- flashing of the icon ;
- sounding of buzzer.

When normal conditions are restored:

- the acoustic signal shuts off;
- the temperature value continues to flash;

When you press key "E" to de-activate the alarm, the highest temperature reached in the compartment appears on indicator  for some seconds. Then it returns to normal operation showing the temperature of the selected compartment.

During the alarm phase, the buzzer can be switched off by pressing key E.

Freezing fresh food


The freezer compartment is suitable for long term storage of commercially frozen and deep-frozen food, and for freezing fresh food.


The maximum quantity of foods to freeze

in 24 hours is shown on the rating plate.

To freeze the amount of food indicated on the rating plate, place the food directly in touch with the cooling surface (remove the drawer or basket).

In case the food is frozen inside the drawers or baskets, the maximum quantity is slightly reduced.

Place the food to be frozen in the  compartment, as this is the coldest point.

To freeze fresh foods, you will need to activate the fast freeze function. Press key D (several times if necessary) until the corresponding icon appears .

You must confirm the choice by pressing key E within few seconds. You will hear the buzzer and some animation with lines will appear on the display.

After a pre-cooling period of 24 hours, place the foods in the freezer.

The freezing process takes 24 hours. During this period do not put other foods in the freezer.

This function stops automatically after 52 hours.

It is possible to de-activate the function at any time by pressing key D until the corresponding icon flashes and then key E.

Frozen Food Storage

When first starting the freezer or if the freezer has been out of use for some time, we advise you to run your appliance for at least 2 hours before storing frozen food.

Do not exceed the storage period indicated by the manufacturer.

Do not open the door frequently or leave it open longer than is necessary.

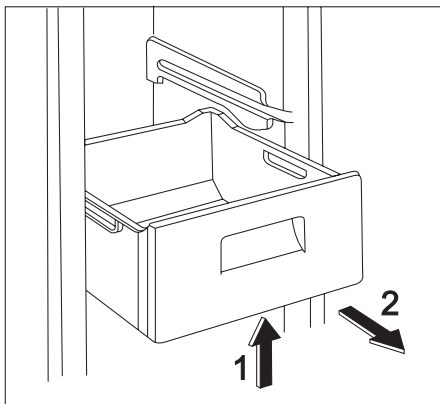
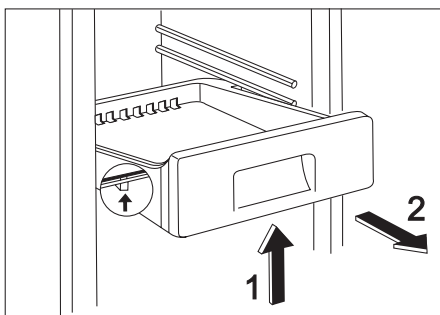
You can replace frozen products into the basket(s) after freezing has finished. This will enable you to make room in the freezing compartment for other food. Intermediate freezing does not deteriorate foods already stored.

If large quantities of food are to be stored, remove the baskets except the lowest one from appliance and place food on the shelves.

Removal of freezing baskets from the freezer

The freezing baskets have a limit stop to prevent their accidental removal or falling out. To remove from the freezer, pull the basket towards yourself and, upon reaching the end point, remove the basket by tilting its front upwards.

To put it back, slightly lift the front of the basket to insert it into the freezer. Once you are over the end points, push the baskets back in their position.



Important

Do not put carbonated liquids in the freezer.

Ice lollies, if consumed immediately after

removal from the freezer can cause a low temperature skin burn.

In the event of a power cut the food in the freezer will not be affected if the power cut is short and the freezer is full. Do not open the door. Should the food begin to thaw it must be consumed quickly and must not be re-frozen. (See Hints and Tips)

Do not remove items from the freezer if your hands are damp/wet, as this could cause skin abrasions or frost/freezer burns.

Thawing

Deep frozen or frozen food, prior to being used, can be thawed in the fridge or at room temperature, depending on the time available. Small food items may even be cooked from frozen, in this case cooking will take longer.

Any frozen food which is thawed accidentally should either be eaten as soon as possible, or thrown away. Alternatively, if the food is uncooked and has not been completely defrosted it can be cooked and then refrozen.



Defrosted cooked food must never be refrozen.



To Make Ice Cubes

1. Fill the ice cube tray $\frac{3}{4}$ full with cold water, place in the freezing compartment and leave to freeze.
2. To remove the cubes twist the tray or hold it under running water for a few seconds.



Never try to free an ice tray that is frozen to the freezer compartment by using pointed or sharp edged objects.

Hints & Tips

Normal Operating Sounds

- You may hear faint gurgling or bubbling sounds when the refrigerant is pumped through the coils or tubing.
- When the compressor is on, the refrigerant is being pumped round and you will hear a whirring sound or pulsating noise from the compressor.
- A thermostat controls the compressor and you will hear a faint 'click' when the thermostat cuts in and out.

Food Storage

To obtain the best performance from your freezer:

- Do not store warm food or evaporating liquid.
- Avoid buying frozen food if you cannot store it straight away. The use of an insulated container is advisable. When you arrive home, place the frozen food in the freezer immediately.
- Do not push food together too much, try to allow air to circulate around each item.
- Do not store food uncovered.
- Ensure that food placed in the freezer is dated and labelled and used in date order to ensure that food is consumed at its best.
- Lean food keeps better and longer than fatty food, salt reduces the storage time.
- Wrap the food in polythene or aluminium freezing bags or foil so that

they adhere to the food and provide an airtight seal.

- Packaging which is swollen or has traces of refrozen water droplets on the pack could indicate that the product has not been kept at a suitable temperature and that it may have lost its original quality. Partially thawed food must not be refrozen, it must be consumed within 24 hours. Never exceed the storage times indicated by the manufacturer.

Energy Saving Advice

- Do not install the appliance close to sources of heat, such as a boiler or radiator.
- Locate the appliance in a cool well ventilated room and make sure that the air openings of the appliance are not obstructed.
- Avoid unnecessary frosting in the cabinet by packing all foodstuffs into airtight packages before placing them in the freezer.
- Food which is to be frozen (when cool) should be placed in the fridge before being transferred to the freezer.
- Try to avoid keeping the door open for long periods or opening the door too frequently as warm air will enter the cabinet and cause the compressor to switch on unnecessarily often.
- Ensure there are no obstructions preventing the door from closing properly.

In the Event of a Power Failure

If there is a power failure during the storage of frozen foods, keep the door closed. If the temperature within your

freezer should rise, do not refreeze the food without checking its condition. The following guidelines should assist you:

Ice Cream: Once thawed should be discarded.

Fruits & Vegetables: If soft should be cooked and used up.

Breads & Cakes: Can be refrozen without danger.

Shellfish: Should be refrigerated and used up quickly.

Cooked Dishes: i.e. casseroles should be refrigerated and used up.

Large Pieces of Meat: Can be refrozen providing there are still ice crystals remaining within them.

Small Joints: Should be cooked and can then be refrozen as cooked dishes.

Chicken: Should also be cooked and refrozen as a fresh dish.

Maintenance and Cleaning



Before any maintenance or cleaning is carried out you must DISCONNECT the appliance from the electricity supply.

Internal Cleaning

Clean the inside and accessories with warm water and bicarbonate of soda (5 ml to 0.5 litre of water).

Rinse and dry thoroughly.



NEVER use detergents, abrasive powders, highly perfumed cleaning products or wax polishes to clean the interior as these will damage the surface and leave a strong odour.

External Cleaning

Wash the outer cabinet with warm soapy water.

Once or twice a year dust the condenser (black grille) and the compressor at the back of the appliance with a brush or vacuum cleaner, as an accumulation of dust will affect the performance of the appliance and cause excessive electricity consumption.

When the Appliance is not in Use

When the appliance is not in use for long periods, disconnect from the electricity supply, empty all foods and clean the appliance, leaving the door open to prevent unpleasant smells.

Changing the Carbon Filter

To maintain the best performance the carbon filter should be changed every year.

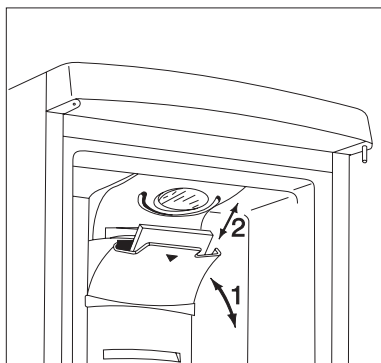
New carbon filters can be purchased from your local Service Force Centre.

1. Pull the flap outwards. (1)
2. Remove the filter from the plastic bag. (2)
3. Replace the filter in the slot found in the back of the flap cover (2).
4. Close the flap cover.

Note: the carbon filter is a consumable accessory and not covered by the guarantee.

i During operation, always keep the air ventilation flap closed.

i The filter should be handled carefully so fragments do not loosen from the surface.



Defrosting

Defrosting is automatic in this model.

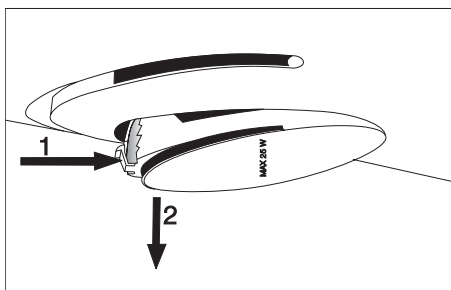
To Change the Light Bulb

Should the light fail to work you can change the bulb as below:

Unplug the appliance from the mains supply.

Press the rear hook (1) of the lampcover by a screwdriver and at the same time pull and rotate the cover in the direction indicated by the arrow (2). So the bulb can be replaced. (Bulb type: T25 230-240 V, 25 W, E 14 thread)

After changing the bulb replace the cover, snap it in place and apply voltage to the appliance.



Something Not Working

If the appliance is not working correctly, please carry out the following checks before contacting your local Service Force Centre.

Symptom	Cause	Solution
It is too warm in the refrigerator.	Temperature control can be set incorrectly. If products are not cold enough or placed incorrectly. The door does not close tightly or it is not shut properly.	Set higher temperature. Place the products to the appropriate place. Check if the door closes well and the gasket is undamaged and clean.
It is too warm in the freezer.	Temperature control can be set incorrectly. The door does not close tightly or it is not shut properly. Products in big quantity to be frozen were put in. Products to be frozen are placed too closely to each other.	Set higher temperature. Check if the door closes well and the gasket is undamaged and clean. Wait some hours and then check the temperature again. Place the products in a way so that cold air could circulate among them.
Water flows into the chamber. Water flows onto the floor.	The outlet of the chamber can be clogged up. Products placed in can prevent water from flowing into the collector. The melting water outlet flows not into the evaporative tray above the compressor.	Clean the outlet. Replace the products so that they can not touch the back plate directly. Put the melting water outlet to the evaporative tray.
There are too much frost and ice.	Products are not wrapped properly. Doors are not shut properly or do not close tightly.	Wrap the products better. Check if the doors close well and the gaskets are undamaged and clean.
The compressor operates continually.	Doors are not shut properly or do not close tightly. Products in big quantity to be frozen were put in. Too warm food was put in. The appliance is in too warm place.	Check if the doors close well and the gaskets are undamaged and clean. Wait some hours and then check the temperature again. Put food at max. room temperature. Try to reduce the temperature in the room where the appliance stands.
The appliance does not work at all. Neither cooling, nor lighting works.	Plug is not connected to the mains socket properly. The fuse burnt out. There is no voltage in the mains socket. (Try to connect another appliance into it.)	Connect the mains plug properly. Change the fuse. Start the appliance according to instructions in chapter 'Putting it into use'. Call an electrician.
The appliance is noisy.	The appliance is not supported properly.	Check if the appliance stands stable (all the four feet should be on the floor).

If after the above checks your appliance still does not operate correctly, contact your local Service Force Centre.

Please note that it will be necessary to provide proof of purchase for any in-guarantee service calls.

In-guarantee customers should ensure that the above checks have been made, as the engineer will make a charge if the fault is not a mechanical or electrical breakdown.

Service and Spare Parts

In the event of your appliance requiring service, or if you wish to purchase spare parts please contact your local Electrolux Service Force Centre by telephoning:

0870 5 929929

Your call will be routed the Service Force Centre covering your post code area.

For the address of your local Service Force Centre and further information about Service Force, please visit the website at www.serviceforce.co.uk

For service in the **Republic of Ireland** contact Electrolux
Long Mile Road
Dublin 12

Telephone: 01 4090752.

Before calling out an engineer, please ensure you have read the details under the heading „Something Not Working?“.

When you contact the Service Centre you will need to give the following details:

1. Your name, address and post code
2. Your telephone number
3. Clear and concise details of the fault
4. The model and serial number of the appliance (found on the rating plate)
5. The purchase date

Customer Care Department

For general enquiries concerning your Electrolux appliance or for further information on Electrolux products, please contact our Customer Care Department by letter or telephone at the addresses below or visit our website at www.electrolux.co.uk

Customer Services Department

Electrolux Major Appliances

Addington Way

Luton

Bedfordshire

LU4 9QQ

08705 950 950 (*)

*calls to this number may be recorded for training purposes.

Guarantee Conditions

We Electrolux undertake that if within 12 months of the date of the purchase this ELECTROLUX appliance or any part thereof is proved to be defective by reason only of faulty workmanship or materials, the company will, at our option repair or replace the same FREE OF CHARGE for labour, materials or carriage on condition that:

- The appliance has been correctly installed and used only on the electrical supply stated on the rating plate.
- The appliance has been used for normal domestic purposes only, and in accordance with the manufacturer's instructions.
- The appliance has not been serviced, maintained, repaired, taken apart or tampered with by any person not authorised by us.
- All service work under this guarantee must be undertaken by a Service Force Centre.
- Any appliance or defective part replaced shall become the Company's property.

Home visits are made between **8.30am** and **5.30pm Monday to Friday**. Visits may be available outside these hours in which case a premium will be charged.

EXCLUSIONS

This Guarantee does not cover:

Damage or calls resulting from transportation, improper use or neglect, the replacement of any light bulbs or removable parts of glass or plastic.

- Costs incurred for calls to put right an appliance improperly installed or

calls to appliances outside the United Kingdom.

- Appliances found to be in use within a commercial environment, plus those which are the subject of rental agreements.
- Products of Electrolux manufacture which are not marketed by Electrolux.

The guarantee is in addition to your statutory and legal rights.

EUROPEAN GUARANTEE

If you should move to another country within Europe then your guarantee moves with you to your new home subject to the following qualifications:

- The guarantee starts from the date you first purchased your product.
- The guarantee is for the same period and to the same extent for labour and parts as exists in the new country of use for this brand or range of products.
- This guarantee relates to you and cannot be transferred to another user.
- Your new home is within the European Community (EC) or European Free Trade Area.
- The product is installed and used in accordance with our instructions and is only used domestically, i.e. a normal household.
- The product is installed taking into account regulations in your new country.

Before you move please contact your

nearest Customer Care Centre, listed below, to give them details of your new home. They will then ensure that the local Service Organisation is aware of your move and able to look after you and your appliances.

France Senlis

+33 (0) 344 62 29 29

Germany Nuremberg

+49 (0) 800 234 7378

Italy Pordenone

+39 (0) 0434 39 4700

Sweden Stockholm

+46 (0) 8 672 53 90

UK Luton

+44 (0) 8705 950 950

Ireland Dublin

+353 (0)1 4090751

Instructions for the Installer

Technical data

Model	ENB 39405 W
Gross capacity (l)	Refrigerator: 293 Freezer: 91
Net capacity (l)	Refrigerator: 281 Freezer: 78
Width (mm)	595
Height (mm)	2010
Depth (mm)	632
Energy consumption (kWh/24h) (kWh/year)	1,084 396
Energy class, according to EU standards	A
Freezing capacity (kg/24h)	10
Rising time (h)	16
Rated current (A)	0,7
Noise Lc (dB)	42
Weight (kg)	76
Number of compressors	1

Model	ENB 40405 W ENB 40405 S
Gross capacity (l)	Refrigerator: 251 Freezer: 91
Net capacity (l)	Refrigerator: 240 Freezer: 109
Width (mm)	595
Height (mm)	2010
Depth (mm)	632
Energy consumption (kWh/24h) (kWh/year)	1,12 409
Energy class, according to EU standards	A
Freezing capacity (kg/24h)	10
Rising time (h)	16
Rated current (A)	0,7
Noise Lc (dB)	42
Weight (kg)	77
Number of compressors	1

Model	ENB 35405 W
Gross capacity (l)	Refrigerator: 251 Freezer: 91
Net capacity (l)	Refrigerator: 240 Freezer: 78
Width (mm)	595
Height (mm)	1850
Depth (mm)	632
Energy consumption (kWh/24h)	1,027
(kWh/year)	375
Energy class, according to EU standards	A
Freezing capacity (kg/24h)	10
Rising time (h)	16
Rated current (A)	0,7
Noise Lc (dB)	42
Weight (kg)	73
Number of compressors	1

Installing the appliance

Transportation, unpacking

The appliance and the interior fittings are protected for transport.

- Remove all packaging and any adhesive tape.
- Any remnants of adhesive can be removed using white spirit.
- After transportation the appliance must not be switched on for 2 hours. This is to allow the refrigerant to settle.

Cleaning

Clean the accessories and the inside of the appliance with warm water and bicarbonate of soda (5 ml to 0.5 litres of water). Rinse and dry thoroughly.

Do not use detergents, abrasive powders, highly perfumed cleaning products, wax polishes or cleaning products containing bleach or alcohol.

Location

The appliance should be positioned in a well ventilated, dry room.

Energy use is affected by the ambient temperature.

The appliance should therefore:

- not be installed next to radiators, cookers or other sources of heat
- only be installed at a location where the ambient temperature corresponds to the climate classification, for which the appliance is designed.

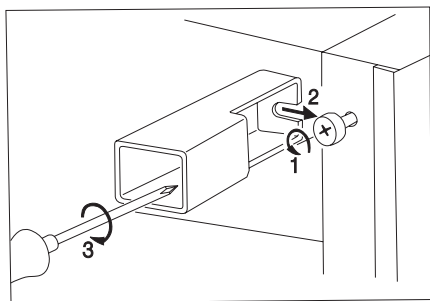
The climate classification can be found on the rating plate.

The following table shows which ambient temperature is correct for each climate classification:

Climate Classification	Ambient Temperature
SN	+10 to +32 °C
N	+16 to +32 °C
ST	+18 to +38 °C

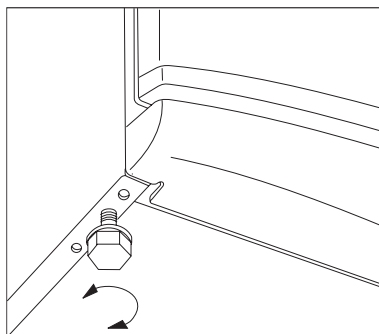
In the bag of the accessories there are two spacers which must be fitted in the two top corners.

Slacken the screws and insert the spacer under the screw head, the re-tighten the screws.



Levelling the Appliance

When placing the appliance ensure that it



stands level. This can be achieved by two adjustable feet at the bottom in front.

Do not stand the appliance next to a source of heat such as a radiator or cooker.

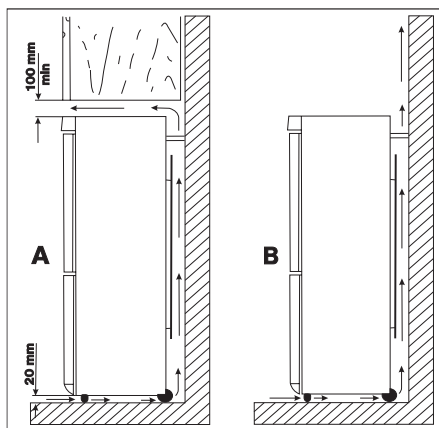
Ventilation Requirements

The appliance must have adequate ventilation to ensure correct operation.

Diagram shows the ventilation requirements when installed:

A Under a cupboard.

B When freestanding



Removal of glass shelf blockers from the product

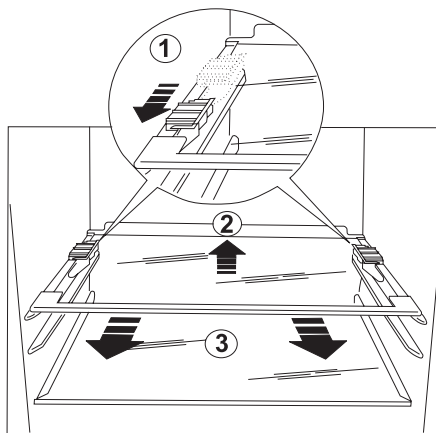
The glass shelf blockers are used to fix the shelves into position during product transport. These blockers will not be necessary for the further operation of the product.

Open the refrigerator door as wide as possible.

1 Slide the blocker tabs to the front of the shelf.

2 Lift the back of the shelf from its nest and then pull it towards yourself by tilting its front upwards/downwards.

3 Remove the blocker tabs.



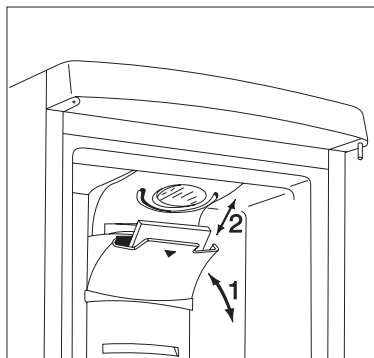
Installation of the Carbon Filter

On delivery the carbon filter is in a plastic bag to maintain its duration and characteristics. The filter should be placed behind the flap before the appliance is turned on.

1. Pull the flap outwards. (1)
2. Remove the filter from the plastic bag.
3. Insert the filter in the slot found in the back of the flap cover (2).
4. Close the flap cover.

i During operation, always keep the air ventilation flap closed.

i The filter should be handled carefully so fragments do not loosen from the surface.



Door reversal

Should the location demand it, the opening direction of the door can be changed.

The appliances are delivered with the door opening to the right.

Carry out the steps as per the pictures and the instructions.

- We recommend that you have another person to help you who can safely hold the doors of the appliance secure.
- Disconnect the appliance from the electrical supply.

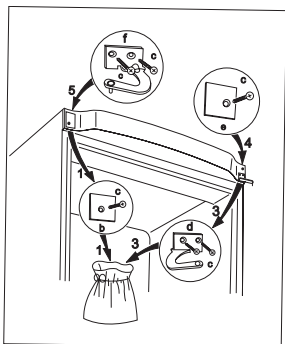


Fig. 1

- Open the door of the fridge, dismantle the top cover (j) by removing the 2 screws (a), then close the door (Fig. 2).
- Move the panel (g) from one side of the top cover (2) to the other (Fig. 2).

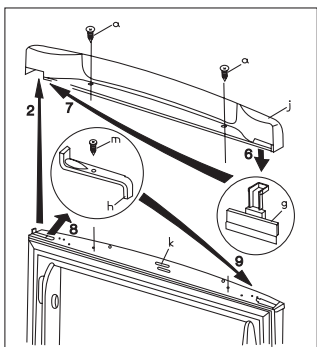


Fig. 2

- Unscrew the 2 screws (c), remove the door mount at the top right-hand side (d), and unscrew the screw on the other side (c), remove the panel (b) and place in an empty plastic bag.
- Lift the fridge door up slightly and remove.
- Unscrew the screw (m), remove the door stopper (h) and attach reversed on the other side (Fig. 2).

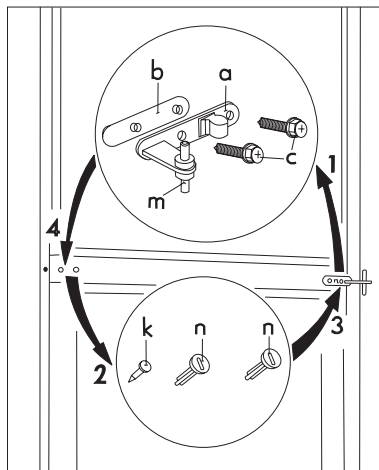


Fig. 3

- Remove double door mount (a, b, c) from the body of the appliance in steps. Please make sure the plastic spacer (b) under the door mount is also removed (Fig. 3).
- Lift the freezer door up slightly and remove.
- Remove stops in both doors (t, z) (Fig. 5).
- Lift out the insert for the lower covering grid (e) using a screw driver (Fig. 4).
- Unscrew the bottom door retaining pin for the freezer door (h, f) and then screw in on the other side. Don't forget the spacer (h) (Fig. 4).
- Insert the insert for the lower covering grid (e) on the other side.

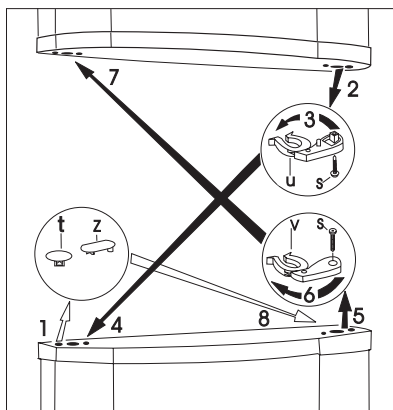


Fig. 4

- Remove the left-hand cover pin of the double door mount (3 pieces, n, k) and move to the other side (Fig. 3).
- Disassemble the door locking elements (u, v) by unscrewing the screw (s) (Fig. 3).
- Reverse the door locking elements (u, v), move to the other side of the other door and fix by screwing in the screw (s).
- Re-insert the stoppers (t, z) on the other side of the doors.

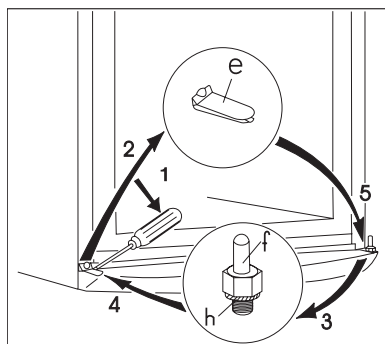


Fig. 5.

- Fit the pin of the double door mount (m) into the left-hand hole of the freezer door (Fig. 3).

- Place the freezer door on the lower door retaining pin (f) (Fig. 4).
- Open doors and fix the double door mount with 2 screws (c) on the left-hand side. Don't forget the plastic spacer under the door (b) as well. The edges of the doors must run parallel to the side edge of the appliance.
- Place the fridge door on the double door retaining pin.
- Remove the top left-hand side door mount (f) and the panel (c) from the plastic bag and attach using the screws (c) (Fig. 1).
- Open the fridge door, attach the top cover (j) using 2 screws (a); at the same time pay attention to the repositioning of the magnet (k), then close the door (Fig. 2).
- Put the appliance into position, ensure it is level and connect to the electrical supply.

If you do not want to carry out these steps yourself, please contact your local Service Force Centre.

The engineer will carry out the door reversal at your cost.

Electrical Connection



Any electrical work required to install this appliance should be carried out by a qualified electrician or competent person.

This appliance must be earthed.


The manufacturer declines any liability should these safety measures not be observed.

Electrical Requirements

Before switching on, make sure the electricity supply voltage is the same as that indicated on the appliance rating plate.

The appliance is supplied with a 13 amp plug fitted. In the event of having to change the fuse in the plug supplied, a 13 amp ASTA approved (BS 1362) fuse must be used. Should the plug need to be replaced for any reason. The wires in the mains lead are coloured in accordance with the following code:

Green and Yellow:	Earth
Blue:	Neutral
Brown:	Live

The wire coloured green and yellow must be connected to the terminal marked with the letter "E" or by the earth symbol  or coloured green and yellow.

The wire coloured blue must be connected to the terminal "N" or coloured black.

The wire coloured brown must be connected to the terminal marked "L" or coloured red.

Upon completion there must be no cut, or stray strands of wire present and the cord clamp must be secure over the outer sheath.



Important!

The plug must still be accessible after the appliance has been installed.


The appliance should not be connected to the electrical supply by means of an extension cable.

In case that the electrical cable has to be replaced, please contact your local Service Force Centre.

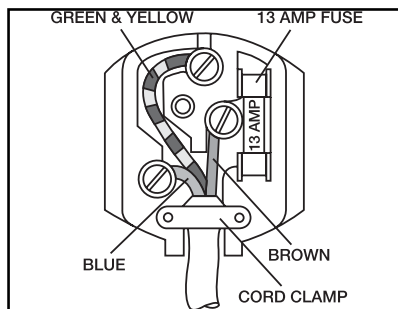


Warning!

A cut off plug inserted into a 13 amp socket is a serious safety (shock) hazard. Ensure that it is disposed of safely.

 This appliance complies with the following E.E.C. Directives:

- **73/23 EEC** of 19.02.73 (Low Voltage Directive) and subsequent modifications,
- **89/336 EEC** of 03.05.89 (Electromagnetic Compatibility Directive) and subsequent modifications.
- **96/57 EEC** - 96/09/03 (Energy Efficiency Directive) and its subsequent amendments



Storage time chart

Time and method of storage of fresh foods in the refrigerator

Foods	Storage time in days							Method of packaging
	1	2	3	4	5	6	7	
Raw meat	X	X	x	x	x			cling film, airtight
Cooked meat	X	X	X	x	x	x		dish covered
Roasted meat	X	X	X	x	x			dish covered
Raw minced meat	X							dish covered
Roasted minced meat	X	X	x	x				dish covered
Cold cuts, Vienna sausage	X	X	x	x				cling film, cellophane, grease-proof paper
Fresh fish	X	x	x					cling film, airtight
Cooked fish	X	X	x	x				dish covered
Fried fish	X	X	x	x	x			dish covered
Tinned fish, open	X	x	x					dish covered
Fresh chicken	X	X	X	x	x	x		cling film, airtight
Fried chicken	X	X	X	x	x	x		dish covered
Fresh hen	X	X	x	x	x			cling film, airtight
Boiled hen	X	X	x	x	x			dish covered
Fresh duck, goose	X	X	X	x	x	x		cling film, airtight
Roasted duck, goose	X	X	X	X	x	x	x	dish covered
Butter unopened	X	X	X	X	X	X	X	original packaging
Butter opened	X	X	x	x	x	x	x	original packaging
Milk in a plastic bag	X	X	X	x	x			original packaging
Cream	X	X	x	x				plastic box
Sour cream	X	X	X	X	x	x	x	plastic box
Cheese (hard)	X	X	X	X	X	X	X	aluminium foil
Cheese (soft)	X	X	X	X	x	x	x	cling film
Curds	X	X	X	X	x	x	x	cling film
Egg	X	X	X	X	X	X	X	
Spinach, sorrel	X	X	x	x				cling film
Green peas, green beans	X	X	X	X	x	x	x	cling film
Mushroom	X	X	x	x	x			cling film
Carrot, roots	X	X	X	X	X	X	X	cling film
Bell-pepper	X	X	x	x	x			cling film
Tomato	X	X	X	X	X	X	X	cling film
Cabbage	X	X	X	X	X	x	x	cling film
Quickly rotting fruits (strawberry, raspberry, etc.)	X	X	X	x	x			cling film
Other fruits	X	X	X	X	x	x	x	cling film
Tinned fruits opened	X	X	X	x	x			dish covered
Cakes filled with cream	X	X	x	x				dish covered

Notation:

X usual storage time

x possible storage time (concerns to really fresh product only)



Albania	+35 5 4 261 450	Rr. Pieter Bogdani Nr. 7 Tirane
Belgique/België/Belgien	+32 2 363 04 44	Bergensesteenweg 719, 1502 Lembeek
Česká republika	+420 2 61 12 61 12	Budějovická 3, Praha 4, 140 21
Danmark	+45 70 11 74 00	Sjællandsgade 2, 7000 Fredericia
Deutschland	+49 180 32 26 622	Muggenhofer Str. 135, 90429 Nürnberg
Eesti	+37 2 66 50 030	Mustamäe tee 24, 10621 Tallinn
España	+34 902 11 63 88	Carretera M-300, Km. 29,900 Alcalá de Henares Madrid
France	www.electrolux.fr	
Great Britain	+44 8705 929 929	Addington Way, Luton, Bedfordshire LU4 9QQ
Helias	+30 23 10 56 19 70	4, Linnou Str., 54627 Thessaloniki
Hrvatska	+385 1 63 23 338	Slavonska avenija 3, 10000 Zagreb
Ireland	+353 1 40 90 753	Long Mile Road Dublin 12
Italia	+39 (0) 434 558500	C.so Lino Zanussi, 26 - 33080 Porcia (PN)
Latvija	+37 17 84 59 34	Kr. Barona iela 130/2, LV-1012, Rīga
Lietuva	+370 5 2780609	Verkių 29, LT-09108 Vilnius
Luxembourg	+35 2 42 43 13 01	Rue de Bitbourg, 7, L-1273 Hamm
Magyarország	+36 1 252 1773	H-1142 Budapest XIV, Erzsébet királyné útja 87
Nederland	+31 17 24 68 300	Vennootsweg 1, 2404 CG - Alphen aan den Rijn
Norge	+47 81 5 30 222	Risløkkvn. 2, 0508 Oslo
Österreich	+43 18 66 400	Herziggasse 9, 1230 Wien
Polska	+48 22 43 47 300	ul. Kolejowa 5/7, Warsaw
Portugal	+35 12 14 40 39 39	Quinta da Fonte - Edifício Gonçalves Zarco - Q 35 -2774-518 Paço de Arcos
Romania	+40 21 451 20 30	Str. Garii Progresului 2, S4, 040671 RO
Schweiz - Suisse	+41 62 88 99 111	Industriestrasse 10, CH-5506 Mägenwil
Slovenija	+38 61 24 25 731	Tržaška 132, 1000 Ljubljana
Slovensko	+421 2 43 33 43 22	Electrolux Slovakia s.r.o., Electrolux Domáce spotrebiče SK, Seberínho 1, 821 03 Bratislava
Suomi	+35 8 26 22 33 00	Konepajaranta 4, 28100 Pori
Sverige	+46 (0)771 76 76 76	Electrolux Service, S:t Göransgatan 143, S-105 45 Stockholm
Türkiye	+90 21 22 93 10 25	Tarlabası caddesi no : 35 Taksim Istanbul
Россия	+7 095 937 7837	129090 Москва, Олимпийский проспект, 16, БД "Олимпик"

www.electrolux.com

925 034 242

925 034 421

925 034 422

925 034 052

925 034 214

925 034 406

925 034 407

925 034 015 - 00 - 200371447