

FEATURES

Heavy-duty 14 gauge steel heat exchanger with a durable ceramic fiber combustion chamber

Easy access large diameter clean out ports in heat exchanger

Foil-faced high density fiberglass insulation in cabinet reduces heat loss and sound

Cabinet has pre-painted steel for maximum durability

Internal filter included

Direct drive models have slide-out blower design blower for easy cleaning and service

4-speed PSC direct drive blower assemblies are dynamically balanced with resilient motor mounts for smooth and quiet operation

Belt drive models have permanently lubricated split phase blower motor, adjustable pulley and sheave

High quality Beckett Flame Retention burner for efficient combustion

High efficiency air flow system to provide consistent operation through all operating conditions

Honeywell 7184B primary control with 15 second pre purge, interrupted ignition, limited reset, and LED diagnostics

Solid state ignition with 20KV output voltage

PSC burner motor with low amp draw and ball bearings for long life

40 VA transformer (Direct drive only)

Transformer and cooling fan relay are factory wired for easy add-on cooling installation (Direct drive only)

Limited life-time warranty on heat exchanger and five year limited warranty on all parts

Ducane Oil Furnace

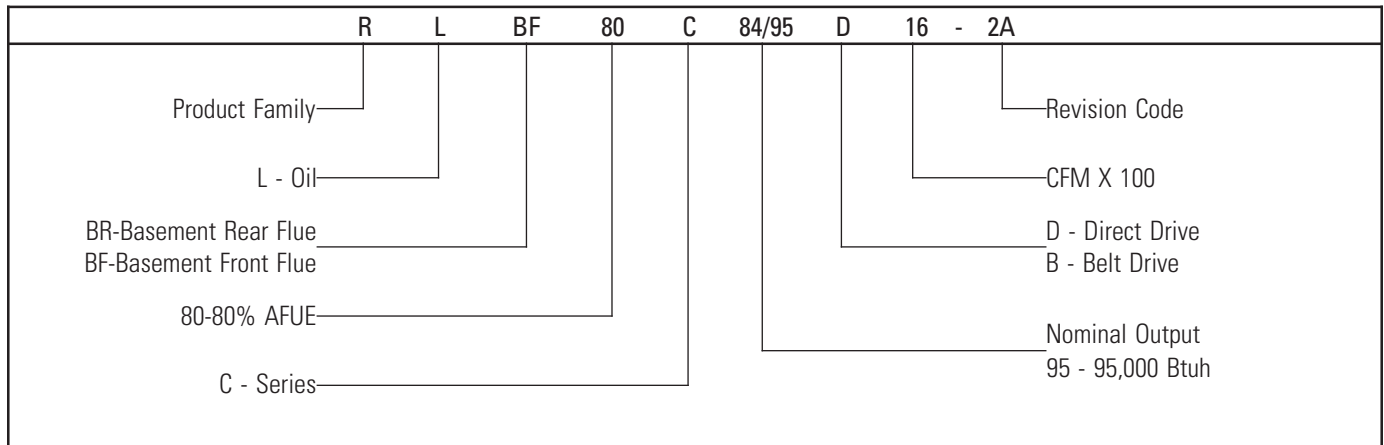
RLBF/R80C



Ducane[®]
AIR CONDITIONING
AND HEATING



Model Number Guide



Physical and Electrical

Model	Nozzle Size	Input (Btuh)	Output (Btuh)	AFUE	Nom. Cooling Cap.	Flue Dia. (in.)	Filter Size (in.)	Volts/Hz/Phase	Max. Time Delay Breaker or Fuse (amp)	Trans. (V.A.)	Weight (lb.)
RLBF80C57/72D12	.50GPH-80°A	70,000	57,000	83	2.0-3.0	6	18 x 19	120/60/1	15	40	250
	.65GPH-80°B	90,000	74,000								
RLBF80C84/95D16	.65GPH-80°B	105,000	85,000	81	2.5-4.0	6	18 x 19	120/60/1	15	40	250
	.75GPH-80°B	119,000	97,000								
RLBF80C112/125D20	.85GPH-80°B	140,000	113,000	81	3.0-5.0	6	19 x 21	120/60/1	15	40	285
	1.00GPH-80°B	154,000	125,000								
RLBR80C57/72D12	.50GPH-80°A	70,000	57,000	83	1.5-3.0	6	18 x 19	120/60/1	15	40	250
	.65GPH-80°B	90,000	74,000								
RLBR80C84/95D16	.65GPH-80°B	105,000	85,000	81	2.5-4.0	6	18 x 19	120/60/1	15	40	255
	.75GPH-80°B	119,000	97,000								
RLBR80C112/125D20	.85GPH-80°B	140,000	113,000	81	3.0-5.0	6	19 x 21	120/60/1	15	40	290
	1.00GPH-80°B	154,000	125,000								
RLBR80C140/168D20	1.10GPH-80°B	175,000	140,000	80	3.5-5.0	6	20 1/8 x 22 7/16	120/60/1	15	40	295
	1.25GPH-80°B	210,000	168,000								
RLBF80C57B08	.50GPH-80°A	70,000	57,000	82	2.0-2.5 ¹	6	18 x 19	120/60/1	15	12 ²	255
RLBF80C84/95B10	.65GPH-80°B	105,000	85,000	81	2.0-3.0 ¹	6	18 x 19	120/60/1	15	12 ²	255
	.75GPH-80°B	119,000	96,000	81							
RLBF80C112/125B16	.85GPH-80°B	140,000	113,000	81	3.0-5.0 ¹	6	19 x 21	120/60/1	20	12 ²	290
	1.00GPH-80°B	154,000	125,000	81							
RLBR80C57B08	.50GPH-80°A	70,000	57,000	82	2.0-2.5 ¹	6	18 x 19	120/60/1	15	12 ²	260
RLBR80C84/95B10	.65GPH-80°B	105,000	85,000	81	2.0-3.0 ¹	6	18 x 19	120/60/1	15	12 ²	260
	.75GPH-80°B	119,000	97,000	81							
RLBR80C112/125B16	.85GPH-80°B	140,000	113,000	81	3.0-5.0 ¹	6	19 x 21	120/60/1	20	12 ²	295
	1.00GPH-80°B	154,000	125,000	81							
RLBR80C196B24	1.50GPH-80°B	245,000	196,000	80	5.0-6.0	8	24 5/8 x 24 3/8	120/60/1	20	12 ²	390

¹See Table for Alternate Motors for Cooling Combinations

²12 Volt heating only. Additional transformer required for cooling applications.

NOTE: All models are rated at 140 psi pump pressure except the RLBF/R 57/72 which is rated at 100 psi.

Blower Performance - Direct Drive

Model	Motor Size (hp)	Blower Size	Temp. Rise (°F)	Blower Speed	CFM @ ext. static pressure - in. W.C.							
					.20	.30	.40	.50	.60	.70	.80	.90
RLBF80C57/72D12	1/3	10 x 8	45 - 75	High	1,400	1,350	1,307	1,250	1,187	1,105	1,027	914
				Med High	1,136	1,130	1,103	1,075	1,027	967	895	765
				Med	930	917	903	867	843	798	728	632
				Low	783	773	753	732	706	663	604	518
RLBF80C84/95D16	1/2	10 x 9	45 - 75	High	1,760	1,670	1,599	1,550	1,410	1,315	1,170	998
				Med High	1,603	1,415	1,459	1,394	1,307	1,190	1,080	936
				Med	1,373	1,345	1,300	1,259	1,188	1,075	975	832
				Low	1,162	1,150	1,130	1,105	1,033	955	853	650
RLBF80C112/125D20	3/4	12 x 10	45 - 75	High	2,160	2,080	2,010	1,969	1,850	1,735	1,627	1,510
				Med High	1,850	1,810	1,744	1,670	1,580	1,510	1,403	1,305
				Med	1,650	1,600	1,580	1,490	1,430	1,370	1,310	1,236
				Low	1,480*	1,470*	1,445*	1,380*	1,330*	1,276*	1,197*	1,090*
RLBR80C57/72D12	1/3	10 x 8	45 - 75	High	1,400	1,350	1,307	1,250	1,187	1,105	1,027	914
				Med High	1,136	1,130	1,103	1,075	1,027	967	895	765
				Med	930	917	903	867	843	798	728	632
				Low	783	773	753	732	706	663	604	518
RLBR80C84/95D16	1/2	10 x 9	45 - 75	High	1,760	1,670	1,599	1,550	1,410	1,315	1,170	998
				Med High	1,603	1,415	1,459	1,394	1,307	1,190	1,080	936
				Med	1,373	1,345	1,300	1,259	1,188	1,075	975	832
				Low	1,162	1,150	1,130	1,105	1,033	955	853	650
RLBR80C112/125D20	3/4	12 x 10	45 - 75	High	2,221	2,124	2,029	1,980	1,835	1,730	1,575	1,514
				Med High	1,815	1,755	1,704	1,625	1,549	1,454	1,350	1,250
				Med	1,564	1,525	1,501	1,435	1,369	1,279	1,206	1,114
				Low	1,360*	1,355*	1,310*	1,260*	1,205*	1,150*	1,087*	998*
RLBR80C140/168D20	3/4	12 x 10	45 - 75	High	2,245	2,138	2,034	1,985	1,833	1,750	1,690	1,550
				Med High	1,835	1,780	1,729	1,670	1,609	1,523	1,415	1,318
				Med	1,620	1,590	1,540	1,490	1,435	1,335	1,269	1,188
				Low	1,460*	1,435*	1,400*	1,320*	1,280*	1,200*	1,132*	1,050*

*Not recommended for heating. Temperature rise may be outside acceptable range.

Blower Performance - Belt Drive

Model	Motor Size (hp)	Blower Size	Motor Pulley (in.)	Motor Pulley Adjustment	Blower Pulley (in.)	Belt Size (in.)	Temp. Rise (°F)	CFM @ .20 ext. static pressure - in. W.C.
RLBF80C57B08	1/6	10 x 8	3 1/4	1 Turn	7	40	45 - 75	980
RLBF80C84/95B10	1/4	10 x 8	4	Closed	7	41	45 - 75 ¹ 55 - 85 ²	1300
RLBF80C112/125B16	3/4	12 x 9	4	Closed	7	42	50 - 80 ¹ 55 - 85 ²	1750
RLBR80C57B08	1/6	10 x 8	3 1/4	1 Turn	7	40	50 - 80	860
RLBR80C84/95B10	1/4	10 x 8	4	Closed	7	41	50 - 80 ¹ 55 - 85 ²	1220
RLBR80C112/125B16	3/4	12 x 9	4	Closed	7	42	55 - 85 ¹ 60 - 90 ²	1700
RLBR80C196B24	3/4	12 x 12	6	Closed	3 1/2	42	65 - 95	2660

¹ Low Fire Nozzle

² High Fire Nozzle

Alternate Motors for Cooling Combinations - Belt Drive

Model	Nominal Cooling Capacity	Motor Size (in.)	Blower Size (in.)	Motor Pulley (in.)	Motor Pulley Adjustment	Blower Pulley (in.)	Belt Size (in.)	CFM @ ext. static pressure - in. W.C.			
								.20	.30	.40	.50
RLBF80C57B08	2.0 - 2.5	1/4	10 x 8	7	Closed	4	41	1,340*	1,320*	1,180	1,080
RLBF80C84/95B10	2.0 - 3.5	1/2	10 x 8	6	Closed	4	40	1,770	1,680	1,560	1,430
RLBF80C112/125B16	4.0 - 5.0	3/4	12 x 9	5	Closed	3 1/4	38	2,050	2,000	1,930	1,880
RLBR80C57B08	2.0 - 2.5	1/4	10 x 8	7	Closed	4	41	1,260	1,185	1,095	1,000
RLBR80C84/95B10	2.0 - 3.5	1/2	10 x 8	6	Closed	4	40	1,600	1,540	1,480	1,400
RLBR80C112/125B16	4.0 - 5.0	3/4	12 x 9	5	Closed	3 1/4	38	2,020	1,980	1,910	1,860
RLBR80C196B24	5.0 - 6.0	3/4	12 x 12	6	Closed	3 1/2	42	2,660	2,575	2,450	2,350

*Not recommended for heating. Temperature rise may be outside acceptable range.

Note: Field converted with different size motor for cooling applications.

Accessories

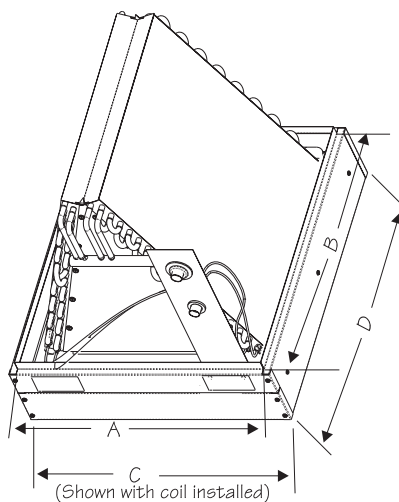
Description	Used with	Kit Number
Clean Out Kit	All models	ABRSH380-3
Tjernlund Side Wall Vent Kit ¹	All models	ASVNT522
Field Controls Side Wall Vent Kit ²	All models	ASVNT523
Evaporator Coil Cabinet	RLBF-R8084/95 to 15 1/2" - 17" wide coil	ACOILKDCC19
Evaporator Coil Cabinet	RLBF-R8084/95 & LBF-R112/125 to 21" wide coil	ACOILKDCC22
Evaporator Coil Cabinet	RLBF-R112/125 to 21"-23" wide coil	ACOILKDCC27
Combustion Air Kit	All models	ABOOT571
Clean Out Cap Kit	All models	ACAP570

¹ This can be ordered from Tjernlund, part number SSII.

² This can be ordered from Field Controls, part number SWG-5-CK61.

Evaporator Coil Cabinet

Model	A	B
ACOILKDCC19	19 1/2	22 1/8
ACOILKDCC22	22 1/2	23 1/4
ACOILKDCC27	24	24 1/4



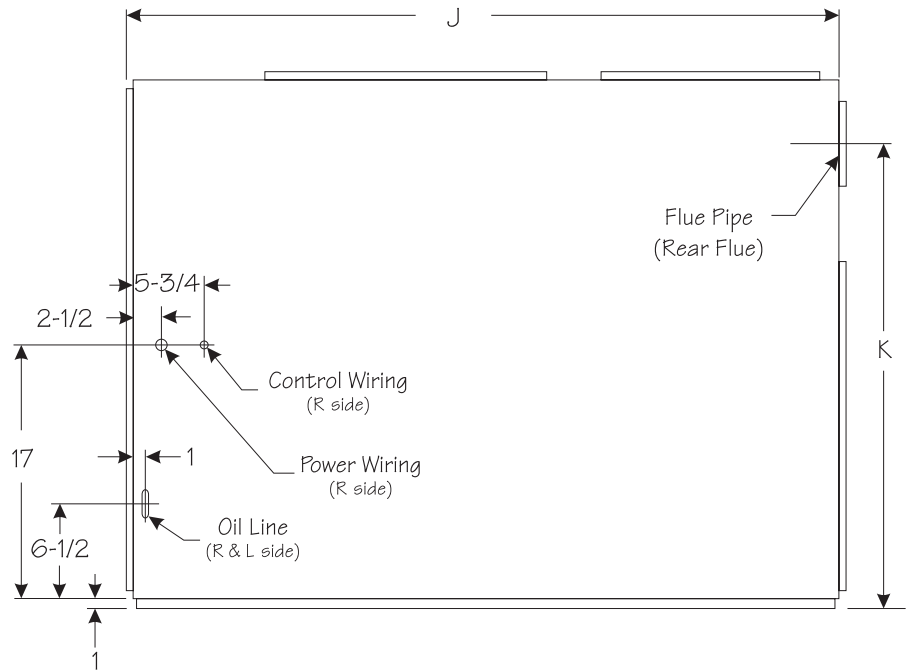
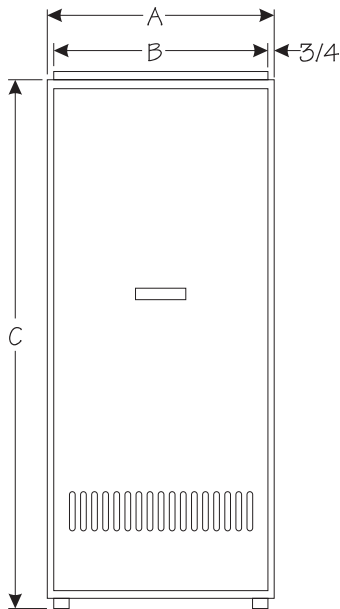
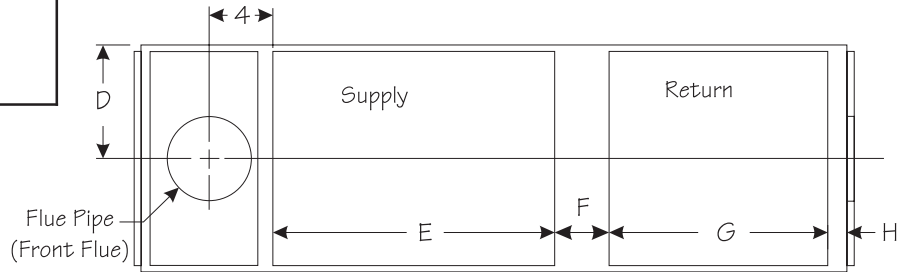
Dimensions (in.)

Model	A	B	C	D	E	F	G	H	J	K
RLBF80C57/72	19 1/2	18	37	9 3/4	21	3 1/4	16	1 1/2	52 1/8	N/A
RLBF80C84/95										
RLBF80C112/125	22 1/2	21	37	11 1/4	21	3 1/4	16	1 1/2	52 1/8	N/A
RLBR80C57/72	19 1/2	18	37	9 3/4	21	3 1/4	16	1 1/2	52 1/8	27
RLBR80C84/95										
RLBR80C112/125	22 1/2	21	37	11 1/4	21	3 1/4	16	1 1/2	52 1/8	29
RLBR80C140/168	24	22 1/2	39	12	23 1/8	2 1/4	18	1	54 3/4	29
RLBR80C196	26	24 1/2	42	13	24 1/2	2 7/16	23	7/8	61 1/8	32

Clearances (in.)

Model	Front*	Sides	Rear
RLBF80C57/72	4	6	24
RLBF80C84/95			
RLBF80C112/125			
RLBR80C57/72			
RLBR80C84/95			
RLBR80C112/125			
RLBR80C140/168			
RLBR80C196			

*Clearance from combustibles.



All specifications and illustrations subject to change without notice and without incurring obligations..

www.ducanehvac.com
For more information, contact your local Ducane distributor.

