

FEATURES

Heavy duty, high efficiency scroll compressor

High quality condenser coil with copper tubing and enhanced fin for maximum heat transfer capacity

Insulated cabinet to minimize heat loss

Aluminized steel tubular heat exchanger

Wire guard coil protection

Weather protected heavy-duty condenser fan motor

One-piece no leak top design

Easy service access

Insulated blower compartment to reduce sound

Easy service split-ring design blower with quick plug in wiring

PSC prelubricated motor for low maintenance and maximum efficiency

Dynamically balanced blower wheel with resilient motor mounts for smooth, quiet operation

Solid state integrated blower control/ignition control board with L.E.D. diagnostics

Horizontal or down discharge

Rectangular duct covers

Warranties: 5 year parts; 5 year compressor; 20 year heat exchanger (see warranty certificate for details)

Ducane Package Gas/Electric

2SG13B

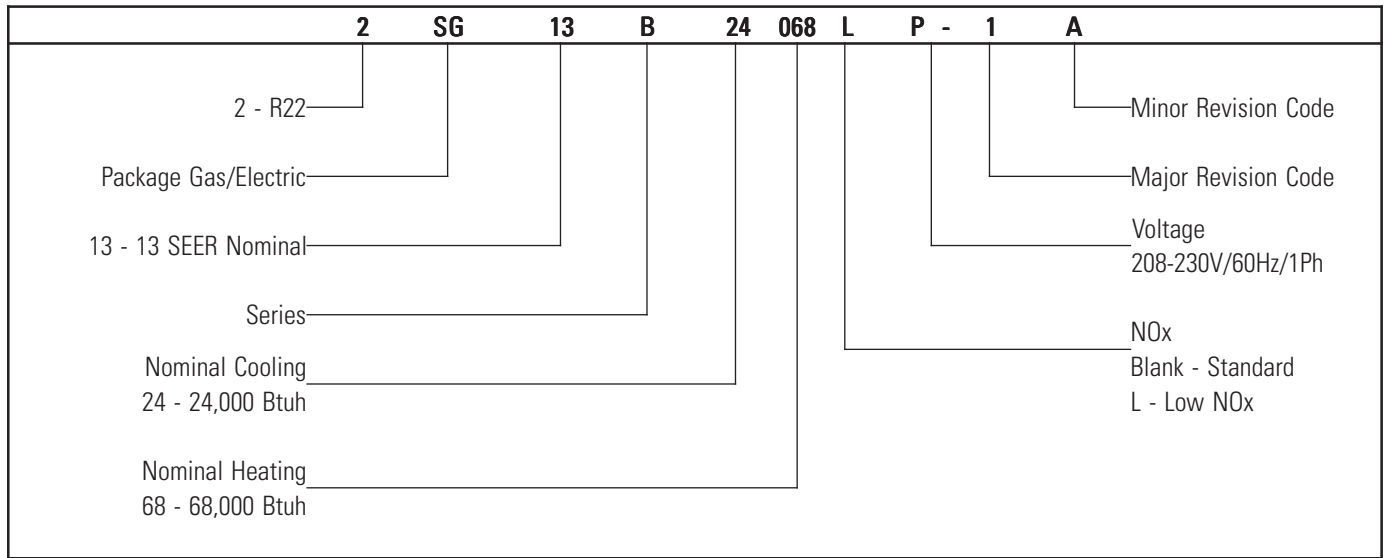


GAS-FIRED



Ducane[®]
AIR CONDITIONING
AND HEATING

Model Number Guide



Physical and Electrical

Model	Voltage/Hz/ Phase	Voltage Range	Min. Circ.- Amp.	Max. Over current Device (amps)	Compressor		Fan Motor			Indoor Blower		Exhaust Motor		Weight (lbs.)
					Rated Load (amps)	Locked Rotor (amps)	Rated Load (amps)	Rated HP	Nom. RPM	Rated Load (amps)	Rated HP	Rated Load (amps)	Rate- d HP	
2SG13B24068P	208-230/60/1	197-253	17.0	20	10.4	45	1.1	1/5	1075	2.2	1/2	0.7	1/30	390
2SG13B30068P	208-230/60/1	197-253	21.0	25	14.1	68	1.1	1/5	1075	2.2	1/2	0.7	1/30	390
2SG13B36(068,090)P	208-230/60/1	197-253	21.0	25	14.4	77	1.1	1/5	1075	2.2	1/2	0.7	1/30	415
2SG13B42(083,110)P	208-230/60/1	197-253	29.0	35	19.2	104	1.6	1/4	825	3.6	3/4	0.7	1/30	560
2SG13B48(083,110,138)P	208-230/60/1	197-253	29.0	35	19.2	97	1.6	1/4	825	3.6	3/4	0.7	1/30	570
2SG13B60(083,110,138)P	208-230/60/1	197-253	30.0	40	19.9	137	1.6	1/4	825	3.6	3/4	0.7	1/30	595

Performance

Model	SEER	EER	Rated ARI Capacity ¹	Rated Sensible Capacity	CFM	Input Btuh	Output Btuh	AFUE	Temp. Rise °F
2SG13B24068(L)P	13.00	11.50	23,000	17,700	800	67,500	54,000	80%	35-65
2SG13B30068(L)P	13.00	11.50	28,800	22,200	1000	67,500	54,000	80%	35-65
2SG13B36068(L)P	13.00	11.50	36,000	27,000	1200	67,500	54,000	80%	35-65
2SG13B36090P						90,000	72,000		35-65
2SG13B42083(L)P	13.00	11.50	41,000	30,800	1400	82,500	66,000	80%	30-60
2SG13B42110P						110,000	88,000		45-75
2SG13B48083(L)P	13.00	11.50	47,000	35,700	1600	82,500	66,000	80%	30-60
2SG13B48110P						110,000	88,000		45-75
2SG13B48138P						137,500	110,000		45-75
2SG13B60083(L)P	13.00	11.05	55,500	41,000	1800	82,500	66,000	80%	30-60
2SG13B60110P						110,000	88,000		45-75
2SG13B60138P						137,500	110,000		45-75

¹Certified in accordance with Unitary Air Conditioner Certification Program, which is based on ARI Standard 210/240.

Blower Performance

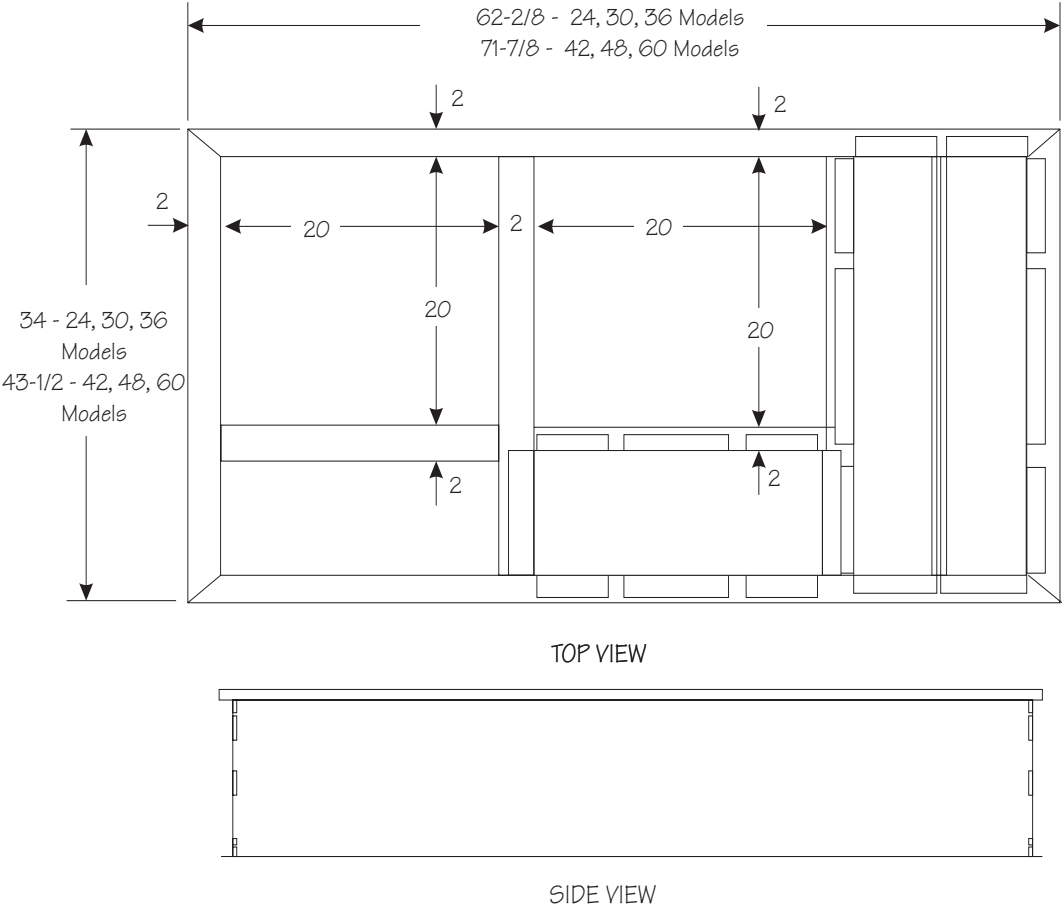
Model	Blower Speed	CFM @ ext. static pressure in in. w.g.						
		.20	.30	.40	.50	.60	.70	.80
2SG13B24	High	1470	1420	1360	1290	1220	1140	1050
	Med	1070	1060	1020	1000	950	900	830
	Low	880	870	850	820	790	740	690
2SG13B30	High	1470	1420	1360	1290	1220	1140	1050
	Med	1070	1060	1020	1000	950	900	830
	Low	880	870	850	820	790	740	690
2SG13B36	High	1510	1460	1400	1330	1250	1180	1100
	Med	1060	1050	1030	990	950	900	850
	Low	870	860	840	820	790	750	680
2SG13B42	High	2090	2000	1930	1820	1710	1590	1480
	Med	1820	1780	1730	1650	1570	1480	1370
	Low	1520	1480	1450	1440	1410	1360	1260
2SG13B48	High	2090	2000	1930	1820	1710	1590	1480
	Med	1820	1780	1730	1650	1570	1480	1370
	Low	1520	1480	1450	1440	1410	1360	1260
2SG13B60	High	2090	2000	1930	1820	1710	1590	1480
	Med	1820	1780	1730	1650	1570	1480	1370
	Low	1520	1480	1450	1440	1410	1360	1260

Cooling Performance Extended Ratings

Model	Indoor Temp DB/WB °F	Outdoor Temp - DB°F														
		65			82			95			105			115		
		Btuh	S/T	kW	Btuh	S/T	kW	Btuh	S/T	kW	Btuh	S/T	kW	Btuh	S/T	kW
2SG13B24068P	85/72	27,147	.66	1.72	25,108	.68	1.82	24,686	.71	2.04	22,903	.74	2.22	21,119	.77	2.42
	80/67	25,300	.73	1.56	24,212	.73	1.77	23,000	.78	2.00	20,725	.83	2.20	18,450	.88	2.39
	75/63	24,162	.74	1.54	23,025	.73	1.74	20,717	.82	1.97	18,557	.88	2.16	16,398	.93	2.36
2SG13B30068P	85/72	33,993	.65	2.15	31,439	.67	2.27	30,911	.70	2.55	28,678	.73	2.77	26,445	.76	3.02
	80/67	31,680	.72	1.95	30,317	.72	2.22	28,800	.77	2.50	25,951	.82	2.74	23,103	.87	2.99
	75/63	30,254	.73	1.92	28,832	.72	2.17	25,941	.81	2.46	23,237	.86	2.71	20,533	.92	2.95
2SG13B36(068,090)P	85/72	42,491	.63	2.78	39,299	.65	2.93	38,639	.68	3.28	35,847	.71	3.57	33,056	.74	3.89
	80/67	39,600	.70	2.51	37,897	.70	2.85	36,000	.75	3.22	32,439	.80	3.54	28,878	.85	3.85
	75/63	37,818	.71	2.48	36,040	.71	2.80	32,426	.79	3.17	29,046	.84	3.49	25,666	.89	3.80
2SG13B42(083,110)P	85/72	48,392	.63	3.08	44,757	.65	3.25	44,005	.68	3.64	40,826	.71	3.96	37,647	.74	4.31
	80/67	45,100	.71	2.78	43,160	.70	3.17	41,000	.75	3.57	36,945	.80	3.92	32,889	.85	4.27
	75/63	43,071	.71	2.75	41,045	.71	3.11	36,930	.79	3.51	33,080	.84	3.86	29,231	.89	4.21
2SG13B48(083,110,138)P	85/72	55,474	.64	3.53	51,307	.66	3.72	50,445	.69	4.17	46,801	.72	4.54	43,156	.75	4.94
	80/67	51,700	.71	3.19	49,476	.71	3.63	47,000	.76	4.09	42,351	.81	4.49	37,702	.86	4.89
	75/63	49,374	.72	3.15	47,052	.71	3.56	42,334	.80	4.03	37,921	.85	4.43	33,509	.91	4.83
2SG13B60(083,110,138)P	85/72	65,507	.63	4.33	60,586	.64	4.57	59,568	.67	5.12	55,265	.70	5.57	50,961	.73	6.06
	80/67	61,050	.70	3.92	58,424	.69	4.45	55,500	.74	5.02	50,010	.79	5.51	44,521	.83	6.00
	75/63	58,303	.71	3.86	55,562	.70	4.37	49,991	.78	4.94	44,780	.83	5.43	39,569	.88	5.93

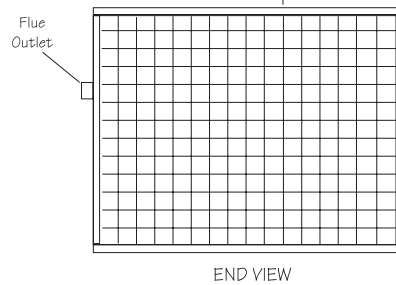
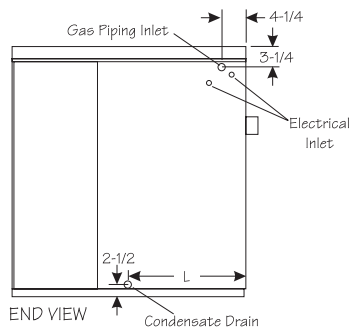
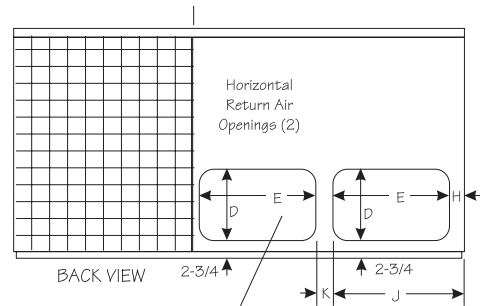
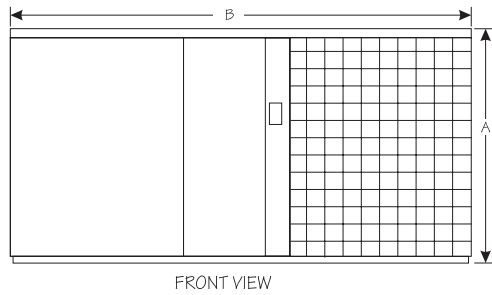
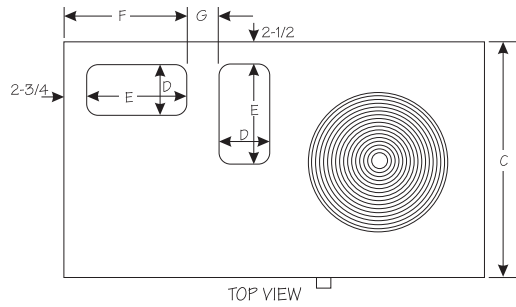
Accessories

Kit Number	Description	Used With
92M51	Lifting Brackets	All 2SG13B
92M54	Internal Filter Kit	2SG13B 24, 30, 36
92M55	Internal Filter Kit	2SG13B 42, 48, 60
92M57	LP Conversion Kit	2SG13B 68 and 90
92M58	LP Conversion Kit	2SG13B 83, 110, and 138
92M99	Roof Curb 8 inch height	2SG13B 24, 30, 36
93M00	Roof Curb 14 inch height	2SG13B 24, 30, 36
93M01	Roof Curb 8 inch height	2SG13B 42, 48, 60
93M02	Roof Curb 14 inch height	2SG13B 42, 48, 60



Dimensions (in.)

Model	A	B	C	D	E	F	G	H	J	K	L
2SG13B24	34 1/4	65 3/8	36 1/2	11 1/4	17 1/4	20	8 1/2	3	20 1/4	4 1/2	19
2SG13B30											
2SG13B36											
2SG13B42	38 1/4	75	46	11 1/4	19 1/4	22	9 1/4	3 1/4	22 1/4	4	16 1/4
2SG13B48											
2SG13B60											



All specifications and illustrations subject to change without notice and without incurring obligations..

www.ducanehvac.com
For more information, contact your local Ducane distributor.

