

DLS5240

DLS6540

DLS6840

DLS6940



DLS SERIES

INSTALLATION/OWNER'S MANUAL

Car Audio Speakers



Safety Guidelines

Thank you for purchasing the DLS Series car speakers. Although Dual has attempted to make sure all of the information contained within this manual is accurate, please be aware that any part of it is subject to change without notice.



CAUTION

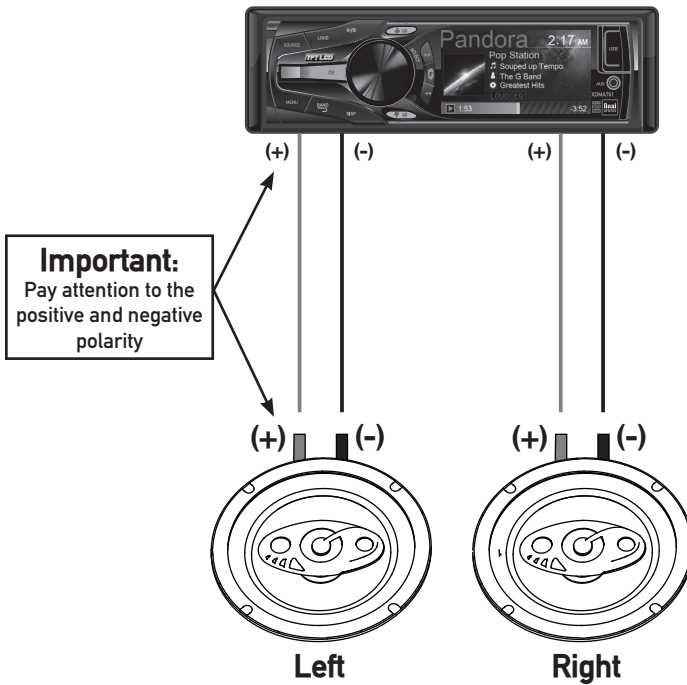
The following instructions should be used as a general guideline only. If you are unsure about performing any of the procedures listed below, please consult a professional car audio installation center.

Before installation, please follow these guidelines:

1. Be sure to carefully read and understand the instructions before attempting to install this product.
2. For safety, disconnect the negative terminal from the battery prior to beginning the installation.
3. Use the highest quality connectors for a reliable installation and to minimize signal or power loss.
4. Use caution before you drill or cut! Be careful not to cut or drill into gas tanks, fuel lines, brake or hydraulic lines, vacuum lines or electrical wiring when working on any vehicle.
5. Never run speaker wires underneath your vehicle. Running speaker wires inside the vehicle provides the best protection from exhaust heat and environmental elements.
6. Avoid running wires over, near, or through sharp edged surfaces. Use rubber grommets to protect any wires routed through metal.
7. When running the speaker cable from the amplifier, avoid running it near sources of high current (i.e. wiring harnesses, battery cables).

INSTALLATION

Wiring



- Connect the speaker outputs from the head unit to the speakers.
- In some vehicles, it may be possible to utilize the existing speaker wiring. When doing this, be cautious of the polarity (+/-) of the speaker wires, as these wire colors vary for each vehicle.

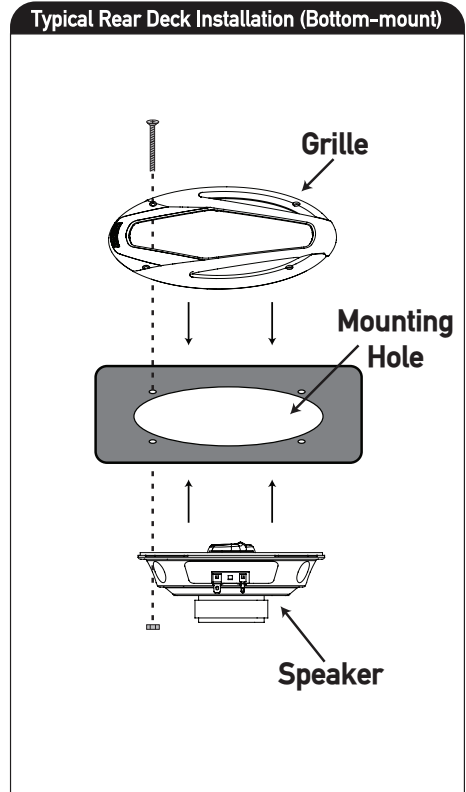
Tip: Using factory wiring harness adapters for the head unit and speakers can help eliminate wiring issues.

- In some vehicles, it may be necessary to run new speaker wire throughout the vehicle. Observe caution when routing wires.
- Always use quality connectors that fit tightly, or solder each connection. It may be necessary to waterproof connections made inside door panels.
- Wiring speakers out-of-phase (the polarity of one speaker is wrong) **will** cause the speakers to sound poor, and have very little bass response.

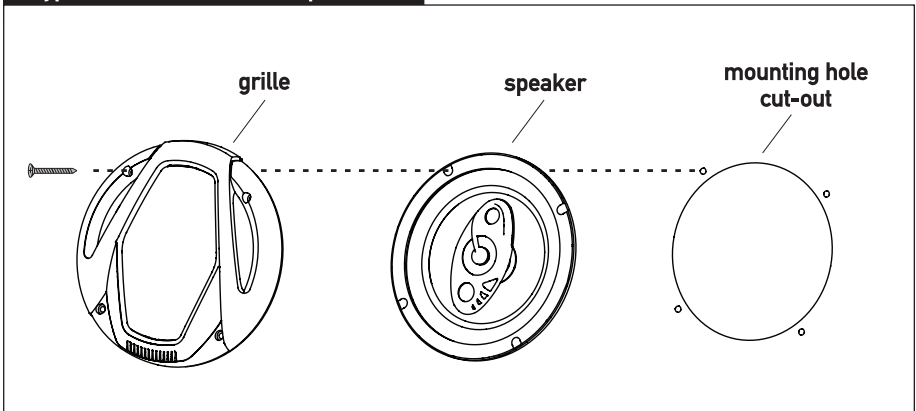
INSTALLATION

Mounting

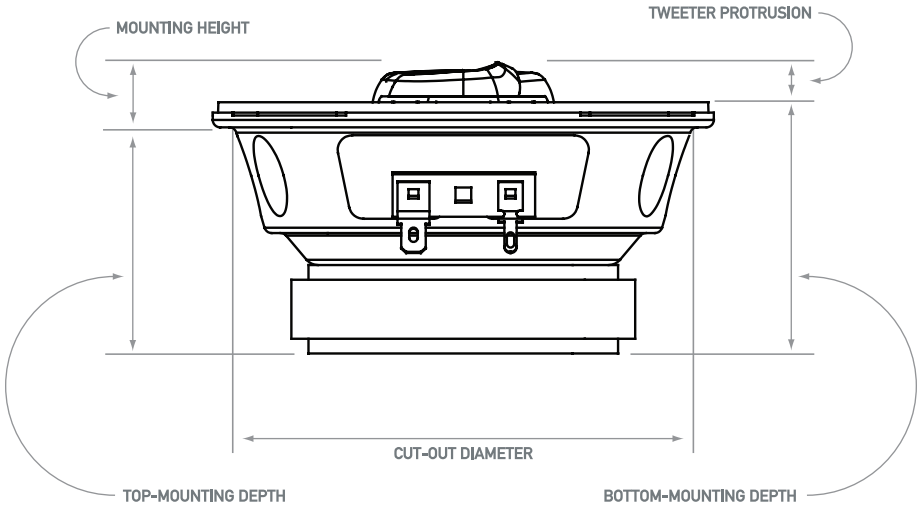
1. Determine where the speakers will be mounted. Make sure the area is large enough for the speaker to mount evenly. Also ensure the mounting location is deep enough for the speaker to fit.
2. Refer to the specification chart to determine the proper diameter hole to cut for your speaker model.
3. If needed, use the grille as a template to mark the locations for the mounting screws. Drill the holes with a 3/32" bit.
4. Fit the speaker to the hole cut-out. Mount the speaker using the supplied screws. If the speaker grill is to be used, insert 4 screws into the grill holes and then mount the speaker.



Typical Door Installation (Top-mount)



Specifications



The above diagram is to be used with the specifications matrix guide below. Design and specifications subject to change without notice.

Model	Size	Type	Power Rating (RMS/Peak)	Sensitivity	Frequency Response	Cutout Diameter	Top Mounting Depth	Bottom Mounting Depth	Mounting Height	Tweeter Protrusion
DLS6940	6x9"	4-Way	50W/400W	89dB	60Hz-20kHz	6" x 8.58"	3.07"	3.54"	0.87"	0.55"
DLS6840	6x8"	4-Way	40W/320W	87dB	70Hz-20kHz	5" x 7.10"	2.28"	2.60"	0.67"	0.35"
DLS6540	6.5"	4-Way	40W/300W	88dB	70Hz-20kHz	5.60"	2.17"	2.36"	0.79"	0.59"
DLS5240	5.25"	4-Way	30W/200W	85dB	75Hz-20kHz	4.50"	1.97"	2.20"	0.39"	0.51"



Limited One-Year Warranty

This warranty gives you specific legal rights. You may also have other rights which vary from state to state. Dual Electronics Corp. warrants this product to the original purchaser to be free from defects in material and workmanship for a period of one year from the date of the original purchase.

Dual Electronics Corp. agrees, at our option, during the warranty period, to repair any defect in material or workmanship or to furnish an equal new, renewed or comparable product (whichever is deemed necessary) in exchange without charges, subject to verification of the defect or malfunction and proof of the date of purchase. Subsequent replacement products are warranted for the balance of the original warranty period.

Who is covered?

This warranty is extended to the original retail purchaser for products purchased from an authorized Dual dealer and used in the U.S.A.

What is covered?

This warranty covers all defects in material and workmanship in this product. The following are not covered: software, installation/removal costs, damage resulting from accident, misuse, abuse, neglect, product modification, improper installation, incorrect line voltage, unauthorized repair or failure to follow instructions supplied with the product, or damage occurring during return shipment of the product. Specific license conditions and copyright notices for the software can be found via www.dualav.com.

What to do?

1. Before you call for service, check the troubleshooting guide in your owner's manual. A slight adjustment of any custom controls may save you a service call.
2. If you require service during the warranty period, you must carefully pack the product (preferably in the original package) and ship it by prepaid transportation with a copy of the original receipt from the retailer to an authorized service center.
3. Please describe your problem in writing and include your name, a return UPS shipping address (P.O. Box not acceptable), and a daytime phone number with your shipment.
4. For more information and for the location of the nearest authorized service center please contact us by one of the following methods:

- Call us toll-free at 1-866-382-5476
- E-mail us at cs@dualav.com

Exclusion of Certain Damages: This warranty is exclusive and in lieu of any and all other warranties, expressed or implied, including without limitation the implied warranties of merchantability and fitness for a particular purpose and any obligation, liability, right, claim or remedy in contract or tort, whether or not arising from the company's negligence, actual or imputed. No person or representative is authorized to assume for the company any other liability in connection with the sale of this product. In no event shall the company be liable for indirect, incidental or consequential damages.



DLS Series

OPERATION

Registration

For Your Records

Please keep your original sales receipt and be prepared to provide it in the event you require service. Your original receipt is considered the best proof of purchase and indicates the date you purchased your Dual product.

Dealer Name _____

Dealer Phone _____

Purchase Date _____

Register Your Product

Register your product online at www.dualav.com



Dual Electronics Corporation
Toll Free: 1-866-382-5476

www.dualav.com
©2013 Dual Electronics Corp. All rights reserved.
NSA0313-V1
Printed in China