

DREMEL PARTS LIST

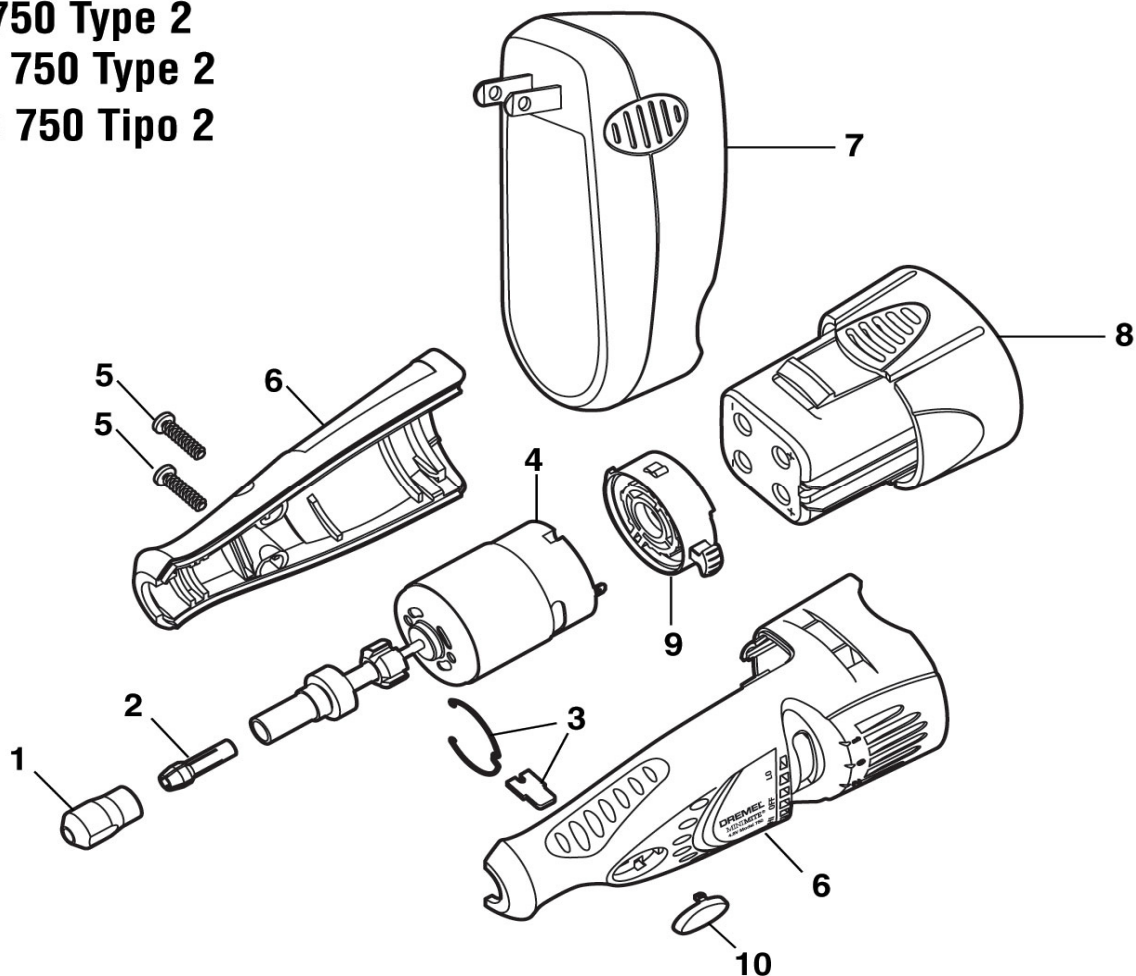
MODEL 750-2- 7.2V CORDLESS ROTARY TOOL

CODE	PART NO.	DESCRIPTION	PRICE	QTY.	TOTAL
1	2615297355	Collet Nut	\$1.25		
2	2615000480	1/8" Collet (In Tool)	\$2.95		
3	2610917263	Shaft Lock Assembly	\$0.85		
4	2610916207	Motor & Shaft Assembly	\$8.85		
5	2615302400	Screw (2)	\$1.25		
6	2610917264	Housing Set	\$3.35		
7	26150756AA	Charger	\$9.50		
8	26150755AA	Battery Pack	\$18.60		
9	2610916208	Switch Assembly	\$3.90		
10	2610916357	Glamour Cap	\$0.85		
TOTAL					

Note: Number in "()" indicates the number of parts needed for each unit - NOT the number of parts per package.

QUESTIONS? CALL TOLL-FREE: 800-437-3635

MODEL 750 Type 2
MODÈLE 750 Type 2
MODELO 750 Tipo 2



DREMEL

Copyright © 2007 Robert Bosch Tool Corporation
 Prices subject to change without notice.



SERVICE PARTS ORDER FORM

ORDERS - CUSTOMER SERVICE - TECHNICAL ASSISTANCE

<u>In the USA</u>	<u>BY PHONE</u>	<u>BY FAX</u>	<u>SERVICE CENTER</u>	<u>BY MAIL</u>	<u>HOURS</u>
Wisconsin	1-800-437-3635 1-262-554-1390	1-262-554-4389	Dremel Service Center	4915 21st. Street Racine Racine, WI 53406	M-F, 7am - 7pm CST
California	1-800-275-2052 1-760-327-3003	1-760-322-3972	Dremel Authorized Service	4631 E. Sunny Dunes Palm Springs, CA 92264	M-F, 7am - 4:30pm PST

In CANADA

Ontario	1-416-287-3000	1-416-287-3005	Giles Tool Agencies	47 Granger Avenue Scarborough, ON M1K 3K9	M-F, 8:30am - 5pm EST
Quebec (Quebec City)	1-418-877-3371	1-418-877-3958	Clinique D'Outils M.P.	3075 boul. Hamel, Suite 107 Quebec, QC G1P 4C8	M-F, 8am - 12pm, 1-5pm EST
Quebec (St. Lambert)	1-450-466-1173 1-866-466-1173	1-450-466-8980	Service D'Outils ACM	2071 Victoria Street St. Lambert, QC J4S 1H1	M-F, 7:30am - 6pm EST
British Columbia	1-604-873-5394	1-604-873-5313	Westcoast Tool	4008 Myrtle Street Burnaby, BC V5C 4G2	M-F, 8am - 4:30pm PST

GENERAL INFORMATION

- To place an order, please have item numbers ready.
- Listed prices valid in USA only.
- Prices are subject to change without notice.
- Please have your credit card number ready
- Please allow 2-4 weeks for delivery.
- Canadian prices may be higher.
- No C.O.D. orders.

PAYMENT METHOD

<input type="checkbox"/> CHECK	CARD NUMBER _____
<input type="checkbox"/> MONEY ORDER	EXPIRATION DATE _____
<input type="checkbox"/> CREDIT CARD	SIGNATURE _____
<input type="checkbox"/> OTHER	
SHIP TO NAME _____	
STREET ADDRESS _____	
CITY, STATE, ZIP/POSTAL CODE _____	
DAYTIME PHONE _____	

DREMEL 2007 PARTS ORDER FORM
Prices effective March 12, 2007.

Parts Subtotal	US\$.
Your State Sales Tax	US\$.
Shipping & Handling	\$4.00
Total Remittance (USA only)	US\$.