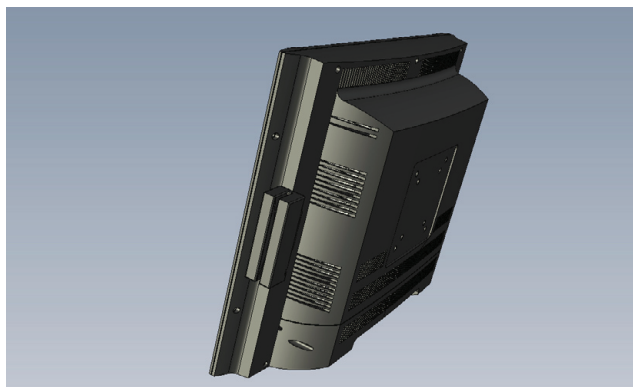
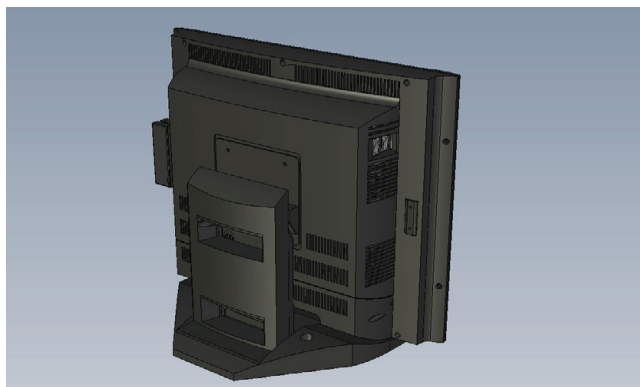
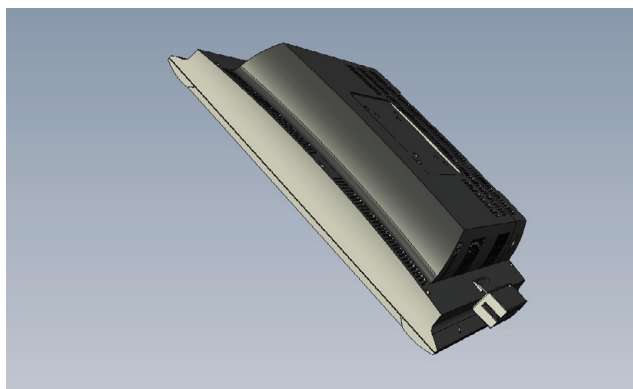
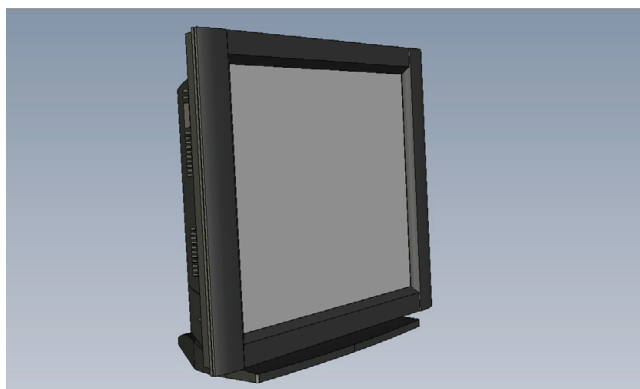


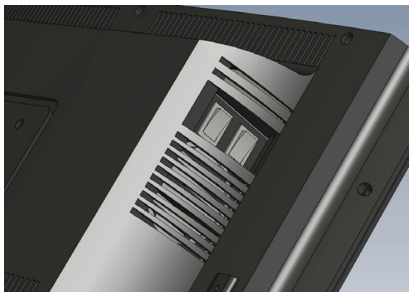
## DFI PPC Workstation 19



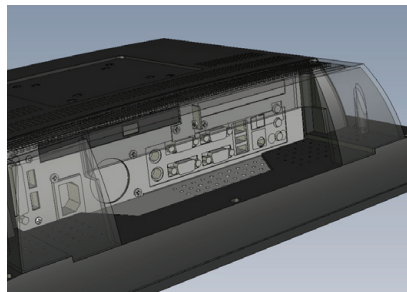
- 19" Touchscreen LCD Panel PC
- Injection Molded ABS+Polycarbonate Enclosure
- Revision Control and Long Term Supply
- From Low-Power to High-Performance
- VESA 75 and VESA 100 Compatible
- Internal 110/220V AC Power Supply
- Semi-Hidden I/O Ports
- Active Cooling and Ventilation
- NEMA 4 Front Bezel
- Built-in Audio Speakers
- Optional Magnetic Card Reader
- Optional Desktop Stand or Wallmount Kit
- Optional Security Covers for I/O Ports and Switches
- Equipment Integrators Can Design Various Floor Stands



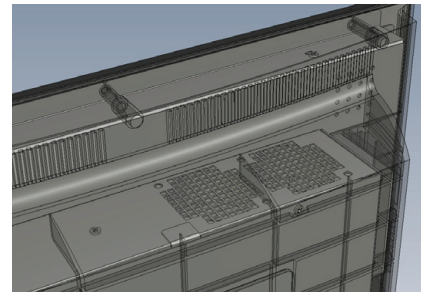
	PPC Workstation 19 480	PPC Workstation 19 485
Enclosure	Internal aluminum and galvanized steel. External ABS with Polycarbonate - Charcoal gray color	
LCD Panel	19" TFT, 1280x1024, 300 nits, 700:1 Contrast, Windows True Color	
Touchscreen	Elo AccuTouch 5-Wire Resistive, Elo IntelliTouch Surface Wave, 3M ClearTek II Capacitive, or without touchscreen	
Main Board	DFI-ACP G5C100-N	DFI-ACP SR100-N
Processor Type	Intel Celeron M, Core Solo, Core Duo or Core 2 Duo (Mobile type)	Intel Core 2 Duo (Mobile type)
Processor FSB	533 / 667	533 / 800
Main Chipsets	Intel 945GME + ICH7M + GMA 950	Intel GME965 + ICH8M + GMA X3100
PCI Slot	One Full-height, Half-length PCI Card Support	
HDD and Optical Drive Bays	Typical Configuration: 1 Notebook-type Shockmounted HDD and 1 Notebook-type Optical Drive Without Optical Drive: Up to 2 Notebook-type Shockmounted HDDs	
PS/2 Keyboard and Mouse Ports	1 pair	1 pair
DB-9 Serial Port	3	2
Video Port	1x DB-15	1x DB-15 + 1x DVI-D
RJ45 LAN Port	2x (10/100/1000)	2x (10/100/1000)
USB Ports	6	6
Audio Jacks	3	3
Internal CF Card Slot	1	0
Speakers	2 (Stereo, Amplified)	
Ventilation	Two 60 mm enclosure fans	
Dimension (W x H x D)	Touchscreen Panel PC (main unit): 19.29" x 14.90" x 4.65" (489.9 x 378.5 x 118.0 mm) Main unit with optional card reader: 19.70" x 14.90" x 4.65" (500.4 x 378.5 x 118.0 mm) Main unit with optional stand: 19.29" x 15.66" x 9.99" (489.9 x 397.8 x 253.8 mm)	
Weight	Main computer: Approximately 24.5 lbs (11.1 kg) Optional desktop stand: Approximately 3.9 lbs (1.8 kg)	
Power Supply	Internal auto-110/220V 200W power supply with power factor correction and noise killer feature.	
Operating Temperature	Ambient: 0°C - 37°C (32°F - 99°F), 10% - 90% RH. Note: The operating temperature is limited by the LCD's thermal specs.	
Optional Items	Notebook-type CD, CD R/W, DVD or DVD R/W Optical Drive, or Compact Flash Drive Kit Magnetic Card Reader (left side or right side mount) Desktop Stand with Adjustable 0°-45° Angle, or Wallmount Kit Security Cover for I/O Ports Security Cover for Power and Brightness Switches Keyboard and Mouse	



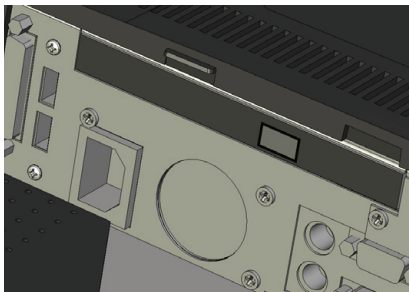
Speaker, Power Switch and Brightness Adjustment



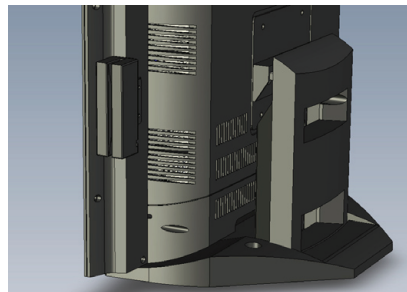
Semi-Hidden I/O Ports - Under Access Cover



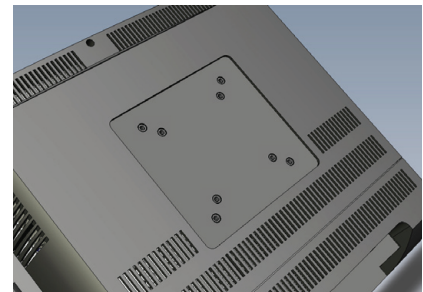
Active Cooling and Ventilation



Internal AC Power Supply and Optional Optical Drive



Optional Magnetic Card Reader and Desktop Stand



VESA 75 and VESA 100 Compatible Mount

All pictures are conceptual and subject to change. The I/O port arrangement and motherboard inside will differ depending on the configuration.