

*If you have questions or comments, contact us.
Pour toute question ou tout commentaire, nous contacter.
Si tiene dudas o comentarios, contáctenos.*

1-800-4-DEWALT • www.dewalt.com

**INSTRUCTION MANUAL
GUIDE D'UTILISATION
MANUAL DE INSTRUCCIONES**

INSTRUCTIVO DE OPERACIÓN, CENTROS DE SERVICIO Y PÓLIZA
DE GARANTÍA. **ADVERTENCIA:** LÉASE ESTE INSTRUCTIVO ANTES
DE USAR EL PRODUCTO.

DEWALT®

**DW030
Laser Distance Measurer (LDM)
Appareil de mesure laser (AML)
Láser para medir distancia (LDM)**



Definitions: Safety Guidelines

The definitions below describe the level of severity for each signal word. Please read the manual and pay attention to these symbols.

▲ DANGER: Indicates an imminently hazardous situation which, if not avoided, **will** result in **death or serious injury**.

▲ WARNING: Indicates a potentially hazardous situation which, if not avoided, **could** result in **death or serious injury**.

▲ CAUTION: Indicates a potentially hazardous situation which, if not avoided, **may** result in **minor or moderate injury**.

NOTICE: Used without the safety alert symbol indicates a potentially hazardous situation which, if not avoided, **may** result in **property damage**.

IF YOU HAVE ANY QUESTIONS OR COMMENTS ABOUT THIS OR ANY DEWALT TOOL, CALL US TOLL FREE AT: **1-800-4-DEWALT (1-800-433-9258)**.



WARNING! Read and understand all instructions.
Failure to follow all instructions listed below may result in electric shock, fire and/or serious personal injury.

SAVE THESE INSTRUCTIONS

Safety Instructions for Lasers

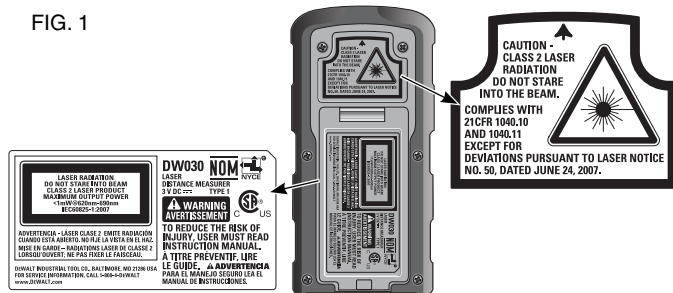
- **Use the laser only with the specifically designated batteries.** Use of any other batteries may create a risk of fire.
- **Store idle laser out of reach of children and other untrained persons.** Lasers are dangerous in the hands of untrained users.
- **Use only accessories that are recommended by the manufacturer for your model.** Accessories that may be suitable for one laser, may create a risk of injury when used on another laser.
- **Laser service MUST be performed only by qualified repair personnel.** Repairs, service or maintenance performed by unqualified personnel may result in injury. To locate your nearest DEWALT service center call 1-800-4-DEWALT (1-800-433-9258) or go to <http://www.dewalt.com> on the Internet.
- **Do not use optical tools such as a telescope or transit to view the laser beam.** Serious eye injury may result from staring at the beam.
- **Do not place the laser in a position which may cause anyone to intentionally or unintentionally stare into the laser beam.** Serious eye injury may result from staring at the beam. Whenever possible, laser beam should be well above or well below eye level.
- **Do not position the laser near a reflective surface which may reflect the laser beam toward anyone's eyes.** Serious eye injury could result.
- **Turn the laser off when it is not in use.** Leaving the laser on increases the risk of staring into the laser beam.
- **Do not operate the laser around children or allow children to operate the laser.** Serious eye injury may result.
- **Do not remove or deface warning labels.** If labels are removed user or others may inadvertently expose themselves to laser radiation.
- **Do not open the device by using tools, such as but not limited to, screwdrivers, etc.**
- **Always post a laser warning sign in work areas where lasers are located.**

⚠ WARNING: Use of controls or adjustments or performance of procedures other than those specified herein may result in hazardous radiation exposure.

⚠ WARNING! DO NOT DISASSEMBLE THE DEVICE. There are no user serviceable parts inside. Disassembling this device will void all warranties on the product. Do not modify the product in any way. Modifying the tool may result in hazardous laser radiation exposure.

- The label on your tool may include the following symbols.
 V_{DC} volts, direct current nm..... wavelength in nanometers
 mWmilliwatts * ... laser warning symbol

FIG. 1



- For your convenience and safety, the following labels are on your laser (Fig. 1).

CAUTION: CLASS 2 LASER RADIATION. DO NOT STARE INTO THE BEAM.

Laser Information

The DW030 is listed as a CLASS 2 LASER PRODUCT and complies with the applicable requirement of title 21 of the Code of Federal Regulations set forth by: the Department of Health, Education, and Welfare; the Food and Drug Administration; the Center for Devices and Radiological Health.

These devices comply with Part 15 of the FCC Rules. Operation is subject to the following two conditions: (1) this device may not cause harmful interference, and (2) this device must accept any interference received, including interference that may cause undesired operation.

NOTE: This equipment has been tested and found to comply with the limits for a Class B digital device, pursuant to Part 15 of the FCC Rules. These limits are designed to provide reasonable protection against harmful interference in a residential installation. This equipment generates, uses and can radiate radio frequency energy and, if not installed and used in accordance with the instructions, may cause harmful interference to radio communications. However, there is no guarantee that interference will not occur in a particular installation. If this equipment does cause harmful interference to radio and television reception, which can be determined by turning the equipment off and on, the user is encouraged to try to correct the interference by one or more of the following measures:

- Reorient or relocate the receiving antenna.
- Increase the separation between the equipment and receiver.
- Consult the dealer or an experienced radio/TV technician for help.

These Class B digital devices comply with Canadian ICES-003.

SPECIFICATIONS	
Laser Power	< 1 mw, CLASS 2 LASER PRODUCT
Range [at 70°F (22°C)]	1'-100' (300 mm-30 m)
Accuracy [at 70°F (22°C)]	± 1/8" (3 mm)
Power Source	two AAA (LR03) size batteries
Battery Voltage	2 x 1.5 V _{DC}
Storage Temperature	20°F to 160°F (-7°C to 70°C)
INTENDED OPERATING CONDITIONS	
Environmental	Indoor and Outdoor Water resistant
Temperature	20°F to 120°F (-7°C to 50°C)
Relative Humidity	≤ 85%
Air Quality	Pollution Degree 3
Altitude	≤ 11,500' (3,500 m)

LASER OPERATION

- To extend battery life per charge, turn the laser off when it is not in use.
- To ensure the accuracy of your work, check the laser calibration often. Refer to **Field Calibration Check** under **Laser Maintenance**.
- Before attempting to use the laser, make sure the device does not show any defects and is in proper working order.
- Extreme temperature changes can cause movement or shifting of building structures, metal tripods, equipment, etc., which can affect accuracy. Check your accuracy often while working.
- If the device is dropped or has suffers a sharp blow, have the unit checked by a qualified service center before using the laser.

Important Safety Instructions for Batteries

⚠WARNING: Batteries can explode, or leak, and can cause injury or fire. To reduce this risk:

- Carefully follow all instructions and warnings on the battery label and package.
- Always insert batteries correctly with regard to polarity (+ and -), marked on the battery and the equipment.
- Do not short battery terminals.
- Do not charge batteries.
- Do not mix old and new batteries. Replace all of them at the same time with new batteries of the same brand and type.
- Remove dead batteries immediately and dispose of per local codes.
- Do not dispose of batteries in fire.
- Keep batteries out of reach of children.
- Remove batteries if the device will not be used for several months.

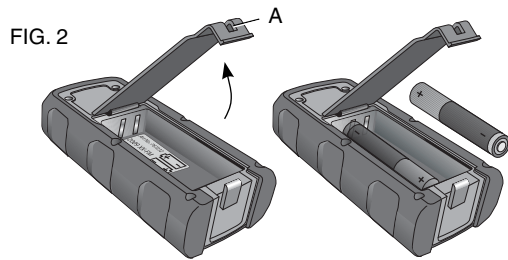
SAVE THESE INSTRUCTIONS FOR FUTURE USE

Installing and Removing Battery (Fig. 2)

NOTE: This Laser Distance Measurer (LDM) is powered by two AAA (LR03) size 1.5 V_{DC} batteries.

INSTALLING THE BATTERY PACK

1. Lift up the battery compartment cover (A) as shown in Figure 2.



2. Insert two AAA (LR03) size batteries into the compartment, placing the batteries according to + and – icons on the inside of the compartment.

NOTE: When the battery icon flashes in the LCD display, replace battery with 2 fresh AAA (LR03) batteries.

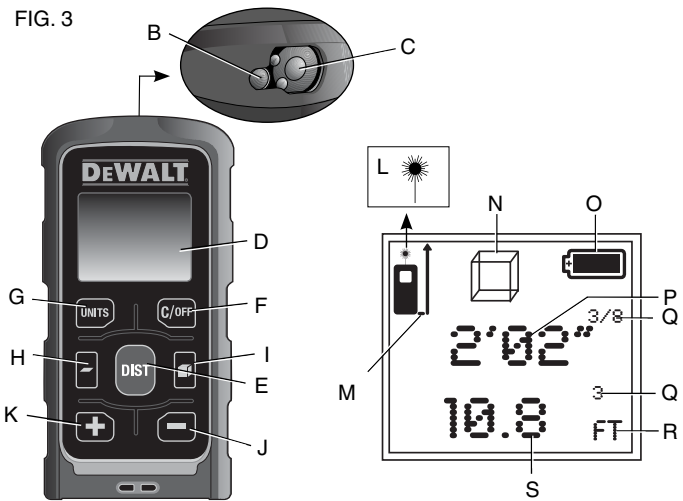
COMPONENTS (Fig. 2, 3)

- A. Battery compartment cover
- B. Laser emitter
- C. Receiver lens
- D. LCD display
- E. DIST (ON) button
- F. C/OFF button
- G. UNITS button
- H. Area button
- I. Volume button
- J. Subtract button
- K. Addition button

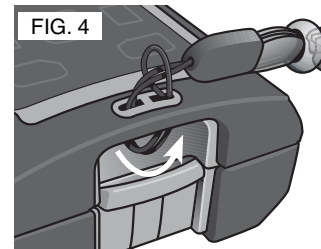
Laser Display

- L. Laser indicator
- M. Measuring plane indicator
- N. Area/Volume indicator
- O. Battery indicator
- P. Additional reading line (upper)
- Q. Units with fraction/exponents

- R. Units indicator
- S. Main reading line (lower)



Attachment of Wrist Strap (Fig. 4)



OPERATION

CAUTION: To reduce the risk of personal injury or property damage and to ensure consistent, high-quality readings, control measurements should be performed periodically and before and after important measurements. Refer to **Field Calibration Check** under **Laser Maintenance**.

IMPORTANT NOTE: All measurements are relative to the base of the LDM.

Laser Control Panel

TO TURN THE LASER DISTANCE MEASURER (LDM) ON (FIG. 2, 3)

1. Insert two AAA size battery as previously directed. Be sure that the battery door (A) is securely latched.
2. Press DIST (ON) to power the LDM. A red laser dot will illuminate where the LDM is pointed.

NOTE: Battery icon appears when the LDM is turned on and displays until a measurement is taken.

TO TURN THE LASER DISTANCE MEASURER (LDM) OFF

Press and hold the C/OFF button (F) until the LDM turns off.

AUTOMATIC SHUT DOWN

The LDM will automatically shut down if no button is pressed for 3 minutes.

FIG. 5



TO CLEAR A MEASUREMENT

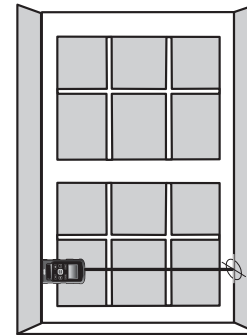
Press the C/OFF button (F) once to clear the last measurement.

Measurements

SINGLE DISTANCE MEASURING (FIG. 6)

1. Press the DIST (ON) button (E) once to turn the LDM on.
2. Aim the LDM at the desired target.
3. Press the DIST (ON) button (E) once to record the measurement in the LCD display (D).

FIG. 6



CONTINUOUS DISTANCE MEASURING (FIG. 6)

1. Press the DIST (ON) button (E) once to turn the LDM on.
2. Aim the LDM at the desired target.
3. Press and hold the DIST (ON) button (E) for three seconds to activate Continuous Distance Measuring mode. Move the LDM to measure desired distance. The letters 'trc' (tracking) will flash on the LCD display.
4. Press the DIST (ON) button (E) once to stop continuous measuring.

NOTE: When the LDM is in Continuous Distance Measuring mode, the laser indicator (L) turns on steady.

Functions

TO ADD OR SUBTRACT MEASUREMENTS

1. Turn the LDM on.

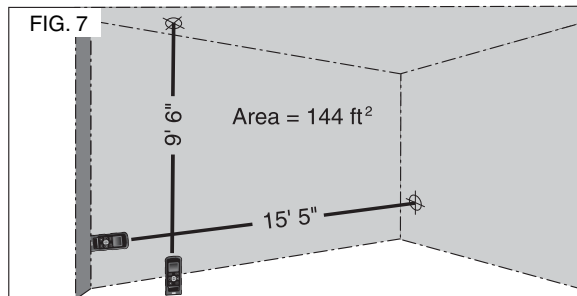
2. Aim the LDM at the desired target.
3. Press the DIST (ON) button (E) once to measure the first distance.
4. Press the + or – button (K, J) to activate the add or subtract function. The + or – will show in the display.
5. Press the DIST (ON) button again to add or subtract the second measurement. The calculated results show in the main reading line. The second measurement will show in the additional reading line.

TO SELECT UNITS OF MEASURE (FIG. 3)

The LDM switches to the next unit of measure each time the button is pressed.

TO MEASURE AREA (FIG. 7)

1. Turn the LDM on.
2. Press the area measure button (I). The area icon will display.



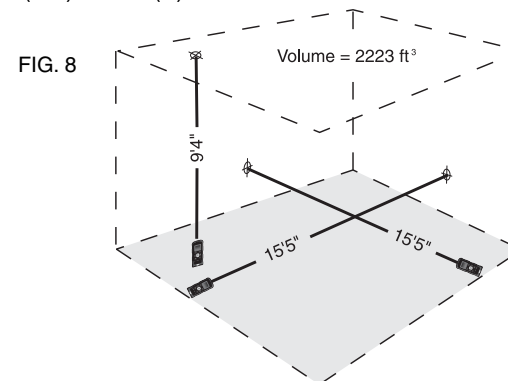
3. Aim the LDM at the first desired target, as shown. Press the DIST (ON) button (E) once to record the first distance.

4. Aim the LDM at the second desired target and press the DIST (ON) button (E) once to record the second distance.
5. The calculated area is displayed in the main reading line (S). The second measurement is displayed in the additional reading line (P).

NOTE: The final measurement is displayed as square feet or square meters.

TO MEASURE ROOM VOLUME (FIG. 8)

1. Turn the LDM on.
2. Press the volume measure button (H). The volume icon will display.
3. Aim the LDM at the first desired target, as shown. Press the DIST (ON) button (E) once to record the first distance.



4. Aim the LDM at the second desired target and press the DIST (ON) button (E) once to record the second distance.

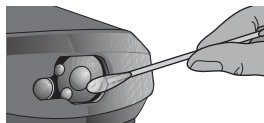
5. Aim the LDM at the third desired target and press the DIST (ON) button (E) once to record the third distance.
6. The calculated volume is displayed in the main reading line (S). The third measurement is displayed in the additional reading line (P).

NOTE: The final measurement is displayed as cubic feet or cubic meters.

LASER MAINTENANCE

- Under some conditions, the lens of the laser emitter and the receiver may collect some dirt or debris. This will affect beam quality and operating range. The lens should be cleaned with a cotton swab moistened with water as shown in Figure 9.

FIG. 9



⚠ WARNING: DO NOT turn the LDM on while cleaning the lens. *Serious eye injury may result from staring at the beam.*

- The housing can be cleaned with a wet lint-free cloth such as a cotton cloth. **USE WATER ONLY** — **DO NOT** use cleansers or solvents. Allow the LDM to air dry before storing.
- To maintain the accuracy of your readings, perform control measurements periodically. Refer to **Field Calibration Check**.
- If your LDM requires repair, contact your local DEWALT service center.
- When the LDM is not in use, store it in the pouch provided.
- Do not store your LDM in the pouch if it is wet. Dry exterior parts with a soft, dry cloth and allow the LDM to air dry.
- Do not store your LDM at temperatures below 20°F (−7°C) or above 160°F (70°C).

⚠ CAUTION: *Never use solvents or other harsh chemicals for cleaning the non-metallic parts of the laser. These chemicals may*

weaken the materials used in these parts. Use a cloth dampened only with water and mild soap. Never let any liquid get inside the unit; never immerse any part of the unit into a liquid. Never use compressed air to clean the laser.

Field Calibration Check

Measure a known distance [within a 10–30' (3–10 m) range] with the LDM to confirm that the LDM is functioning properly.

Troubleshooting

If measurement conditions do not permit an accurate measurement, an error code will appear on the LCD display. For an error code description refer to the following table.

Code	Description	Correction
204	Calculation error	Repeat the measurement
252	LDM too hot	Let the LDM cool down
253	LDM too cold	Warm the LDM up
255	Weak signal	Change the target surface (e.g., put white paper on glass door)
256	Incorrect reading	Change the target surface (e.g., put white paper on glass door)
257	Too much background light	Shadow the target area
258	Outside of range	Stay within the working range
260	Laser beam interrupted	Repeat the measurement

Laser Accessories

Recommended accessories for use with your LDM are available at extra cost from your local service center.

⚠WARNING: *Since accessories, other than those offered by DEWALT, have not been tested with this product, use of such accessories with this tool could be hazardous. To reduce the risk of injury, only DEWALT, recommended accessories should be used with this product.*

If you need assistance in locating any accessory, please contact DEWALT Industrial Tool Co., 701 East Joppa Road, Baltimore, MD 21286, call 1-800-4-DEWALT (1-800-433-9258) or visit our website www.dewalt.com.

⚠DANGER: TO REDUCE THE RISK OF SERIOUS PERSONAL INJURY, NEVER STARE DIRECTLY INTO THE LASER BEAM, WITH OR WITHOUT SAFETY GLASSES.

Repairs

IMPORTANT: Disassembling the LDM will void all warranty on the product.

To assure product SAFETY and RELIABILITY, repairs, maintenance and adjustments should be performed by a DEWALT factory service center, a DEWALT authorized service center or other qualified service personnel. Always use identical replacement parts.

Three Year Limited Warranty

DEWALT will repair, without charge, any defects due to faulty materials or workmanship for three years from the date of purchase. This warranty does not cover part failure due to normal wear or tool abuse. For further detail of warranty coverage and warranty repair information, visit www.dewalt.com or call 1-800-4-DEWALT (1-800-433-9258). This warranty does not apply to accessories or damage

caused where repairs have been made or attempted by others. This warranty gives you specific legal rights and you may have other rights which vary in certain states or provinces.

In addition to the warranty, DEWALT tools are covered by our:

1 YEAR FREE SERVICE

DEWALT will maintain the tool and replace worn parts caused by normal use, for free, any time during the first year after purchase.

90 DAY MONEY BACK GUARANTEE

If you are not completely satisfied with the performance of your DEWALT Power Tool, Laser, or Nailer for any reason, you can return it within 90 days from the date of purchase with a receipt for a full refund – no questions asked.

LATIN AMERICA: This warranty does not apply to products sold in Latin America. For products sold in Latin America, see country specific warranty information contained either in the packaging, call the local company or see website for warranty information.

FREE WARNING LABEL REPLACEMENT: If your warning labels (Fig. 1) become illegible or are missing, call 1-800-4-DEWALT (1-800-433-9258) for a free replacement.

Définitions : Consignes de sécurité

Les définitions ci-après décrivent le degré de sévérité assigné à chaque terme. Veuillez lire ce manuel et prêter attention à ces symboles.

⚠ DANGER : Indique une situation de danger imminent qui, si rien n'est fait pour l'éviter, aura comme conséquences **la mort ou des dommages corporels graves**.

⚠ AVERTISSEMENT : Indique une situation de danger potentiel qui, si rien n'est fait pour l'éviter, **pourra** avoir comme conséquences **la mort ou des dommages corporels graves**.

⚠ ATTENTION : Indique une situation de danger potentiel qui, si rien n'est fait pour l'éviter, **pourra** avoir comme conséquences **des dommages corporels mineurs ou modérés**.

AVIS : Toute utilisation sans les symboles de sécurité indique une situation de danger potentiel qui, si rien n'est fait pour l'éviter, **pourrait** avoir comme conséquences **des dommages matériels**.

POUR TOUTE QUESTION OU TOUT COMMENTAIRE RELATIF À CET OUTIL OU À PROPOS DE TOUT AUTRE OUTIL DEWALT, COMPOSER SANS FRAIS LE : **1-800-4-DEWALT (1-800-433-9258)**.



AVERTISSEMENT : Lire et comprendre toutes les directives. Le non-respect des directives suivantes comporte des risques de chocs électriques, d'incendie et/ou de blessures graves.

CONSERVER CES CONSIGNES

Consignes de sécurité pour les lasers

- **Utiliser le laser uniquement avec les piles spécialement conçues à cet effet.** L'utilisation de toute autre pile peut comporter des risques d'incendie.
- **Ranger le laser hors de la portée des enfants ou de toute personne non familière avec cet outil.** Les lasers peuvent être dangereux entre les mains d'utilisateurs inexpérimentés.
- **N'utiliser que des accessoires recommandés par le fabricant de votre modèle particulier.** Les accessoires propres à un modèle de laser peuvent comporter des risques de blessure, lorsqu'utilisés avec un modèle différent.
- **Le laser DOIT être entretenu ou réparé exclusivement par du personnel qualifié.** Tout entretien ou maintenance effectué par une personne non qualifiée comporte des risques de blessure. Pour trouver le centre de réparation DEWALT le plus proche, composer le 1-800-4-DEWALT (1-800-433-9258) ou se rendre sur le site Internet <http://www.dewalt.com>.
- **Ne pas utiliser d'outils optiques comme les télescopes ou télescopes transit pour observer le faisceau laser.** Des lésions oculaires graves pourraient en résulter.
- **Ne pas disposer le laser de façon à permettre à quiconque de regarder, délibérément ou non, directement le faisceau laser.** Des lésions oculaires graves pourraient en résulter. Chaque fois que possible, installer le faisceau laser bien au-dessus ou au-dessous du niveau des yeux.
- **Ne pas disposer le laser à proximité d'une surface réfléchissante qui pourrait refléter le faisceau laser dans les yeux d'un individu.** Des lésions oculaires graves pourraient en résulter.

- **Arrêter le laser en fin d'utilisation.** Le fait de le laisser en marche augmente les risques que le regard d'un individu croise le faisceau laser.
- **Ne pas utiliser le laser à proximité d'enfants ou permette à un enfant de l'utiliser.** Des lésions oculaires graves pourraient en résulter.
- **Ne pas retirer ou abîmer les étiquettes d'avertissement.** Des étiquettes manquantes pourraient faire que des individus soient exposés involontairement à des radiations laser.
- **Ne pas ouvrir l'appareil à l'aide d'outils tels, mais sans s'y limiter, les tournevis, etc.**
- **Afficher systématiquement un panneau d'avertissement sur les lieux de travail où se trouvent des lasers.**

⚠️AVERTISSEMENT : Toute utilisation de commandes ou réglages ou exécution des procédures non conformes aux spécifications incluses dans ce document comporte des risques d'exposition à des radiations laser dangereuses.

⚠️AVERTISSEMENT : NE PAS DÉMONTER L'APPAREIL. Il ne comporte à l'intérieur aucune pièce réparable par l'utilisateur. Le fait de démonter l'appareil annule toute garantie inhérente à ce produit. Ne modifier ce produit en aucune façon. Le fait de modifier cet outil comporte des risques d'exposition à des radiations laser dangereuses.

- L'étiquette apposée sur votre outil peut inclure les symboles suivants.

V_{DC} volts, courant continu

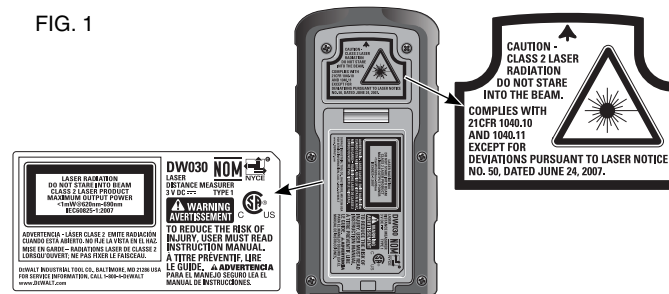
nm.....longueur d'onde en nanomètres

mWmilliwatts

☀️symbole d'avertissement laser

- Pour des raisons de fonctionnalité et de sécurité, les étiquettes suivantes figurent sur votre laser (fig. 1).

FIG. 1



ATTENTION : EXPOSITION À DES RADIATIONS LASER DE CLASSE 2. NE JAMAIS FIXER LE FAISCEAU LASER DES YEUX.

Informations relatives au laser

Le laser DW030 est un APPAREIL LASER DE CLASSE 2, et se conforme aux normes en vigueur du paragraphe 21 du Code de la Réglementation Fédérale énoncée par le Département de la Santé, de l'Éducation et de l'Aide Sociale, la Food and Drug Administration (Administration régissant les aliments et les médicaments) et le Centre des Appareils et Radiologie pour la Santé.

Ces appareils se conforment au paragraphe 15 du règlement du FCC. Son utilisation est sujette aux deux conditions suivantes : (1) Ce dispositif ne doit pas causer d'interférences nuisibles, et (2) ce dispositif doit accepter toute interférence reçue, y compris toute interférence pouvant causer un fonctionnement indésirable.

REMARQUE : Cet équipement a été testé et jugé conforme aux limites d'un appareil numérique de Classe B, conformément au Paragraphe 15 du règlement du FCC. Ces limites sont destinées à offrir une protection raisonnable contre les interférences nuisibles d'une installation résidentielle. Cet équipement produit, utilise et peut émaner des ondes radiofréquences et, s'il n'est pas installé

et utilisé conformément aux directives du fabricant, peut causer des interférences nuisibles aux communications radio. En fonction des installations réalisées, il n'est cependant pas garanti que toute interférence soit exclue. Si cet équipement devait causer des interférences nuisibles à toute réception radio ou télévision, ce qui peut être déterminé en allumant et éteignant l'équipement, l'utilisateur est encouragé à tenter de corriger ces interférences en prenant l'une ou plusieurs des mesures suivantes :

- Réorienter l'antenne de réception ou en changer l'emplacement.
- Augmenter la distance entre l'équipement et le récepteur.
- Contacter le détaillant ou consulter un technicien radio/télé qualifié.

Ces appareils numériques de Classe B se conforment à ICES-003 Canadien.

CARACTÉRISTIQUES TECHNIQUES	
Puissance du laser	< 1 mw, APPAREIL LASER DE CLASSE 2
Plage de fonctionnement [à 22°C (70°F)]	300 mm–30 m (1 pi–100 pi)
Précision [à 22°C (70°F)]	± 3 mm (1/8 po)
Source de courant	deux piles AAA (LR03)
Tension à la pile	2 x 1,5 V _{DC}
Température de rangement	de -7°C à 70°C (de 20°F à 160°F)
CONDITIONS D'UTILISATION PRÉVUES	
Environnement	Intérieur et extérieur Résistant à l'eau
Température	de -7°C à 50°C (de 20°F à 120°F)
Humidité relative	≤ 85%
Qualité de l'air	Degré de pollution 3
Altitude	≤ 3 500 m (11 500 pi)

UTILISATION DU LASER

- Pour augmenter la durée de vie des piles par charge, arrêtez le laser en fin d'utilisation.
- Pour assurer la précision de votre travail, vérifiez souvent le calibrage du laser. Se reporter au paragraphe **Vérification du calibrage** de la section **Maintenance du laser**.
- Avant toute utilisation du laser, vérifiez que l'appareil ne présente aucun défaut et fonctionne correctement.
- Tout changement extrême de température peut causer des mouvements ou changements au niveau de la structure des constructions, des trépieds métalliques, de l'équipement, etc., pouvant affecter la justesse. Vérifiez souvent le calibrage pendant le travail.
- Si l'appareil est tombé ou a subi un choc, faites-le vérifier chez un centre de réparation qualifié avant toute réutilisation.

Directives de sécurité importantes propres aux piles

⚠ AVERTISSEMENT : Les piles sont susceptibles d'exploser ou fuir, et posent des risques de dommages corporels ou d'incendie. Pour réduire ces risques :

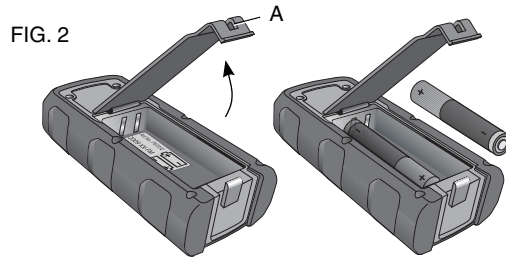
- Suivre soigneusement toute instruction ou tout avertissement inclus sur l'étiquette ou l'emballage des piles.
- Lors de l'installation des piles, respecter systématiquement la polarité (+ et -) inscrite sur les piles et l'appareil.
- Ne pas court-circuiter les bornes.
- Ne pas recharger les piles.
- Ne pas mélanger des piles neuves avec des piles usagées. Les remplacer toutes en même temps par des piles neuves de la même marque et du même type.

- Retirer toute pile usagée immédiatement et s'en débarrasser conformément à la réglementation locale.
- Ne pas jeter de piles au feu.
- Conserver les piles hors de la portée des enfants.
- Retirer les piles lorsque l'appareil n'est pas utilisé pendant plusieurs mois.

CONSERVER CES CONSIGNES POUR UTILISATION ULTÉRIEURE

Installation et retrait du bloc-piles (fig. 2)

REMARQUE : L'appareil de mesure laser (AML) fonctionne avec deux piles AAA (LR03) de 1,5 V_{DC}.



INSTALLATION DES PILES

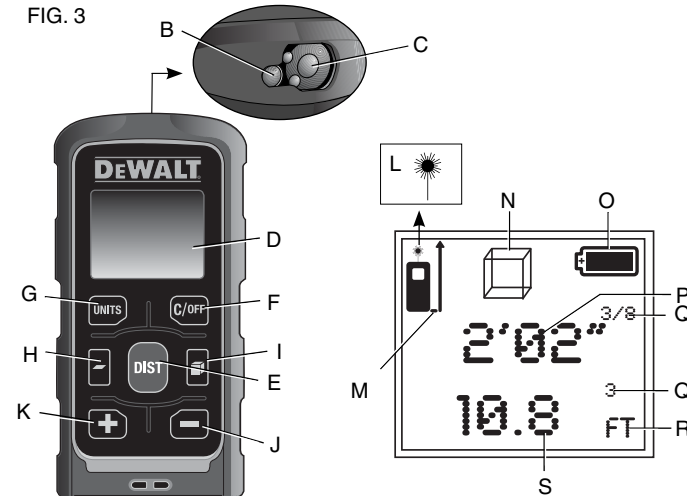
1. Ouvrez le clapet du boîtier des piles (A) comme illustré en figure 2.
2. Insérez deux piles AAA (LR03) dans leur compartiment, en respectant les polarités + et - sur les icônes à l'intérieur.

REMARQUE : Lorsque l'icône des piles clignote sur l'écran LCD, remplacez celles-ci par 2 piles AAA (LR03) neuves.

DESCRIPTION (FIG. 2, 3)

- | | |
|---|---------------------------------|
| A. Clapet de fermeture du boîtier des piles | F. Bouton C/OFF (Effacer/ARRÊT) |
| B. Émetteur laser | G. Bouton d'UNITÉS |
| C. Lentille de réception | H. Bouton de surface |
| D. Affichage LCD | I. Bouton de volume |
| E. Bouton DIST (ON) | J. Bouton de soustraction |
| [Distance (MARCHE)] | K. Bouton d'addition |

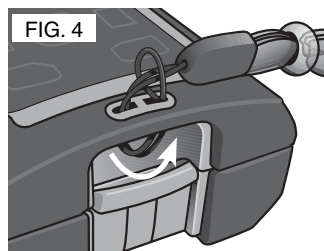
FIG. 3



Affichage laser

- L. Voyant laser
- M. Voyant de plan de mesure
- N. Voyant de surface/volume
- O. Voyant des piles
- P. Ligne de lecture additionnelle (supérieure)
- Q. Unités avec fractions/exposants
- R. Voyant d'unités
- S. Ligne de lecture principale (inférieure)

Installation de la dragonne (fig. 4)



FONCTIONNEMENT

ATTENTION : Pour réduire tout risque de dommages corporels ou matériels, et assurer des lectures cohérentes et de haute précision, des mesurages de contrôle doivent être effectués périodiquement ainsi qu'avant et après toute

FIG. 5



prise de mesure importante. Se reporter au paragraphe **Vérification du calibrage** de la section **Maintenance du laser**.

REMARQUE IMPORTANTE : Toutes les mesures sont prises à partir de la base de l'AML.

Panneau de contrôle du laser

MISE EN MARCHÉ DE L'APPAREIL DE MESURE LASER (AML) (FIG. 2, 3) **DIST**

1. Insérez deux piles AAA, comme indiqué ci-dessus. Assurez-vous que le clapet de fermeture du bloc-piles (A) est bien verrouillé.
2. Appuyez sur DIST (ON) pour allumer l'AML. Un point laser rouge illuminera l'endroit sur lequel l'AML pointera.

REMARQUE : L'icône de pile s'affiche lorsque l'AML est allumé et reste affichée jusqu'à la première prise de mesure.

ARRÊT DE L'APPAREIL DE MESURE LASER (AML) **DIST**

Maintenir appuyé le bouton C/OFF (F) jusqu'à ce que l'AML s'éteigne.

ARRÊT AUTOMATIQUE

L'AML s'arrêtera automatiquement après 3 minutes si aucun bouton n'est poussé.

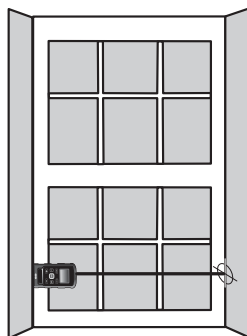
POUR EFFACER UNE MESURE

Appuyez une fois sur le bouton C/OFF (F) pour effacer la dernière mesure.

Mesures

MESURE D'UNE SEULE DISTANCE (FIG. 6)

FIG. 6



1. Appuyez une fois sur le bouton DIST (ON) (E) pour allumer l'AML.
2. Visez la cible désirée avec l'AML.
3. Appuyez une fois sur le bouton DIST (ON) (E) pour enregistrer la mesure prise sur l'affichage LCD (D) de l'AML.

MESURE DE DISTANCES EN CONTINU (FIG. 6)

1. Appuyez une fois sur le bouton DIST (ON) (E) pour allumer l'AML.
2. Visez la cible désirée avec l'AML.
3. Maintenez appuyé trois secondes le bouton DIST (ON) (E) pour activer le mode Mesure de distances en continu. Déplacez l'AML pour mesurer la distance suivante désirée. Les lettres « trc » (tracking : pistage) clignoteront sur l'affichage LCD.

REMARQUE : Lorsque l'AML est en mode de mesure de distances en continu, le voyant laser (L) reste allumé.

4. Appuyez une fois sur le bouton DIST (ON) (E) pour arrêter de mesurer en continu.

Fonctions

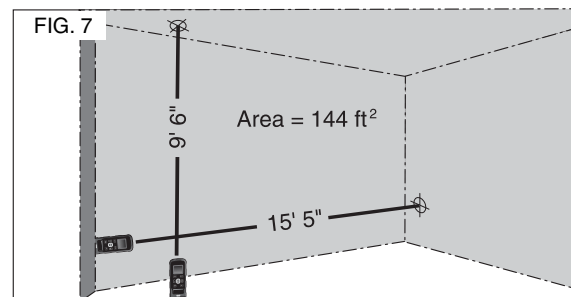
ADDITION OU SOUSTRACTION DE MESURES

1. Mettez l'AML en marche.

2. Visez la cible désirée avec l'AML.
3. Appuyez une fois sur le bouton DIST (ON) (E) pour mesurer la première distance.
4. Appuyez sur les boutons + ou - (K, J) pour activer la fonction d'addition ou de soustraction. Le signe + ou - s'affichera sur l'écran.
5. Appuyez une fois de plus sur le bouton DIST (ON) pour ajouter ou soustraire la seconde mesure. Le résultat sera affiché sur la ligne de lecture principale. La seconde mesure sera affichée sur la ligne de lecture additionnelle.

SÉLECTION DE L'UNITÉ DE MESURE (FIG. 3)

L'AML change automatiquement d'unité de mesure chaque fois qu'on appuie sur le bouton.

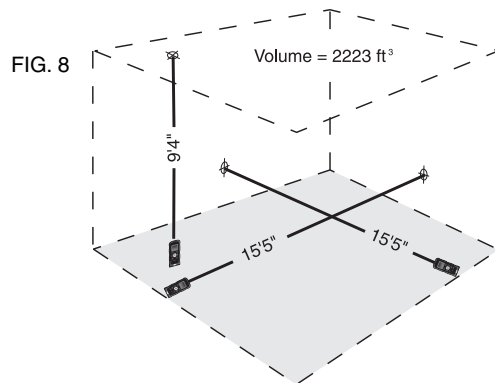


MESURE D'UNE SURFACE (FIG. 7)

1. Mettez l'AML en marche.
2. Appuyez sur le bouton de mesure de surface (I). L'icône de surface s'affichera.

3. Visez la première cible désirée avec l'AML, comme illustré. Appuyez une fois sur le bouton DIST (ON) (E) pour enregistrer la première distance.
4. Visez la seconde cible avec l'AML puis appuyez une fois sur le bouton DIST (ON) (E) pour enregistrer la seconde distance.
5. La surface calculée s'affichera sur la ligne principale de lecture (S). La seconde mesure sera affichée sur la ligne de lecture additionnelle (P).

REMARQUE : La mesure finale est affichée soit en pieds carrés soit en mètres carrés.



MESURE DU VOLUME D'UNE PIÈCE

(FIG. 8)

1. Mettez l'AML en marche.
2. Appuyez sur le bouton de mesure de volume (H). L'icône de volume s'affichera.

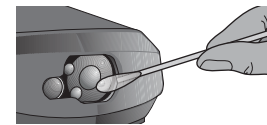
3. Visez la première cible désirée avec l'AML, comme illustré. Appuyez une fois sur le bouton DIST (ON) (E) pour enregistrer la première distance.
4. Visez la seconde cible avec l'AML puis appuyez une fois sur le bouton DIST (ON) (E) pour enregistrer la seconde distance.
5. Visez la troisième cible avec l'AML puis appuyez une fois sur le bouton DIST (ON) (E) pour enregistrer la troisième distance.
6. Le volume calculé s'affichera sur la ligne principale de lecture (S). La troisième mesure sera affichée sur la ligne de lecture additionnelle (P).

REMARQUE : La mesure finale est affichée soit en pieds cubes soit en mètres cubes.

MAINTENANCE DU LASER

- Sous certaines conditions, la lentille de l'émetteur et du récepteur laser peut accumuler des saletés ou débris. Cela affectera la qualité du faisceau et sa plage de fonctionnement. La lentille doit être nettoyée avec un coton-tige humide comme illustré en figure 9.

FIG. 9



⚠ AVERTISSEMENT : NE PAS allumer l'AML lors de l'entretien de la lentille. Des lésions oculaires graves pourraient en résulter.

- Le boîtier peut être nettoyé avec un chiffon humide en tissu non pelucheux comme le coton. N'UTILISEZ QUE DE L'EAU — N'UTILISEZ JAMAIS de nettoyants ou solvants. Laissez l'AML sécher à l'air libre avant de l'entreposer.

- Pour maintenir la précision des lectures, effectuez des mesurages de contrôle périodiquement. Se reporter au paragraphe **Vérification du calibrage**.
- Si des réparations s'avéraient nécessaires, veuillez contacter votre centre de réparation DEWALT local.
- Après toute utilisation, entreposez l'AML dans la sacoche fournie à cet effet.
- N'entreposez pas l'AML dans sa sacoche s'il est encore humide. Séchez les parties externes à l'aide d'un chiffon sec et doux et le laisser sécher à l'air libre.
- Ne pas entreposer l'AML à des températures inférieures à -7°C (20°F) ou supérieures à 70°C (160°F).

⚠ATTENTION : Ne jamais utiliser de solvants ou tout autre produit chimique décapant pour nettoyer les parties non métalliques du laser. Ces produits chimiques pourraient en attaquer les matériaux utilisés. Utiliser un chiffon humidifié avec de l'eau et un savon doux. Protéger l'appareil de tout liquide. N'immerger aucune partie de l'appareil dans un liquide. Ne jamais utiliser d'air comprimé pour nettoyer le laser.

Vérification du calibrage

Mesurez une distance connue [entre 3 à 10 m (10 à 30 pi)] à l'aide de l'AML pour vérifier qu'il fonctionne correctement.

Guide de dépannage

Si les conditions de mesurage ne permettent pas une mesure précise, un code d'erreur s'affichera sur l'affichage LCD. Le tableau suivant présente la description des codes d'erreurs.

Code	Description	Correction
204	Erreur de calcul	Reprendre la mesure
252	AML trop chaud	Laisser refroidir l'AML
253	AML trop froid	Réchauffer l'AML
255	Signal faible	Changer la surface cible (Apposer du papier blanc sur une porte en verre par ex.)
256	Lecture incorrecte	Changer la surface cible (Apposer du papier blanc sur une porte en verre par ex.)
257	Arrière-plan trop lumineux	Faire de l'ombre sur la cible
258	Hors portée	Rester au sein de la plage de fonctionnement
260	Faisceau laser non continu	Reprendre la mesure

Accessoires laser

Les accessoires recommandés avec l'AML sont vendus séparément chez votre centre de réparation local.

⚠AVERTISSEMENT : Comme les accessoires autres que ceux offerts par DEWALT n'ont pas été testés avec ce produit, leur utilisation avec cet appareil pourrait comporter un danger. Pour réduire tout risque de dommages corporels, seuls des accessoires DEWALT recommandés doivent être utilisés avec cet appareil.

Si vous avez besoin d'aide pour localiser ces accessoires, veuillez contacter DEWALT Industrial Tool Co., 701 East Joppa Road, Baltimore, MD 21286 ou appeler 1-800-4-DEWALT (1-800-433-9258) ou vous rendre sur notre site www.dewalt.com.

⚠ DANGER : POUR RÉDUIRE TOUT RISQUE DE DOMMAGES CORPORELS GRAVES, NE JAMAIS FIXER DES YEUX LE FAISCEAU LASER, ET CE, AVEC OU SANS LUNETTES DE SÉCURITÉ.

Réparations

IMPORTANT : Le fait de démonter l'AML annule toute garantie inhérente à ce produit.

Pour assurer votre SÉCURITÉ et la FIABILITÉ du produit, toute réparation, toute maintenance et tout réglage doivent être effectués par un centre de réparation en usine DEWALT, un centre de réparation DEWALT autorisé ou tout autre personnel de réparation qualifié. Utilisez systématiquement des pièces de rechange d'origine.

Garantie limitée de trois ans

DEWALT réparera, sans frais, tout produit défectueux causé par un défaut de matériel ou de fabrication pour une période de trois ans à compter de la date d'achat. La présente garantie ne couvre pas les pièces dont la défectuosité a été causée par une usure normale ou l'usage abusif de l'outil. Pour obtenir de plus amples renseignements sur les pièces ou les réparations couvertes par la présente garantie, visiter le site www.dewalt.com ou composer le 1 800 433-9258 (1 800 4-DEWALT). Cette garantie ne s'applique pas aux accessoires et ne vise pas les dommages causés par des réparations effectuées par un tiers. Cette garantie confère des droits légaux particuliers à l'acheteur, mais celui-ci pourrait aussi bénéficier d'autres droits variant d'un état ou d'une province à l'autre.

En plus de la présente garantie, les outils DEWALT sont couverts par notre :

CONTRAT D'ENTRETIEN GRATUIT D'UN AN

DEWALT entretiendra l'outil et remplacera les pièces usées au cours d'une utilisation normale et ce, gratuitement, pendant une période d'un an à compter de la date d'achat.

GARANTIE DE REMBOURSEMENT DE 90 JOURS

Si l'acheteur n'est pas entièrement satisfait, pour quelque raison que ce soit, du rendement de l'outil électrique, du laser ou de la cloueuse DEWALT, celui-ci peut le retourner, accompagné d'un reçu, dans les 90 jours à compter de la date d'achat pour obtenir un remboursement intégral, sans aucun problème.

AMÉRIQUE LATINE : Cette garantie ne s'applique aux produits vendus en Amérique latine. Pour ceux-ci, veuillez consulter les informations relatives à la garantie spécifique présente dans l'emballage, appeler l'entreprise locale ou consulter le site Web pour les informations relatives à cette garantie.

REPLACEMENT GRATUIT DES ÉTIQUETTES D'AVERTISSEMENT : Si les étiquettes d'avertissement (fig. 1) deviennent illisibles ou sont manquantes, composer le 1-800-4-DEWALT (1-800-433-9258) pour en obtenir le remplacement gratuit.

Definiciones: Pautas de seguridad

Las siguientes definiciones describen el nivel de gravedad indicado por cada palabra. Por favor lea el manual y preste atención a aquellos lugares donde aparezcan estos símbolos.

▲ PELIGRO: Indica una situación de peligro inminente la cual, de no evitarse, **resultará en muerte o lesiones graves.**

▲ ADVERTENCIA: Indica una situación potencialmente peligrosa la cual, de no evitarse, **puede resultar en muerte o lesiones graves.**

▲ ATENCIÓN: Indica una situación potencialmente peligrosa la cual, de no evitarse, **podría resultar en lesiones menores o moderadas.**

NOTA: Si es utilizada sin el símbolo de alerta por seguridad, indica una situación potencialmente peligrosa la cual, de no evitarse, **podría resultar en daños a la propiedad.**

SI TIENE ALGUNA DUDA O ALGÚN COMENTARIO SOBRE ÉSTA U OTRA HERRAMIENTA DEWALT, LLÁMENOS AL NÚMERO GRATUITO: 1-800-4-DEWALT (1-800-433-9258)



¡ADVERTENCIA! Lea todas las instrucciones hasta comprenderlas. El incumplimiento con cualquiera de las instrucciones siguientes podría resultar en descarga eléctrica, incendio y/o lesiones corporales graves.

GUARDE ESTAS INSTRUCCIONES

Instrucciones de seguridad para láseres

- **Sólo utilice el láser con las pilas específicamente indicadas.** El uso de cualquier otro tipo de pilas podría producir un riesgo de incendio.

- **Cuando no esté en uso, almacene el láser fuera del alcance de niños y otras personas no capacitadas para operarlo.** Los láseres son peligrosos en manos de usuarios no capacitados.
- **Use sólo los accesorios recomendados por el fabricante para su modelo.** Algunos accesorios pueden ser apropiados para un modelo de láser pero podrían producir un riesgo de lesión cuando se utilizan con otro modelo.
- **El mantenimiento del láser DEBE ser realizado sólo por personal de reparación calificado.** Las reparaciones, el servicio o mantenimiento realizados por personal no calificado podrían resultar en lesiones. Para ubicar su centro de servicio DEWALT más cercano, llame al 1-800-4-DEWALT (1-800-433-9258) o vaya a <http://www.dewalt.com> en la Internet.
- **No use herramientas ópticas tales como telescopios o teodolitos para ver el rayo láser.** Podría resultar en una lesión grave a los ojos.
- **No sitúe el láser en una posición que pudiera resultar, ya sea intencionadamente o sin querer, en que alguien mire directamente al rayo láser.** Podría resultar en una lesión grave a los ojos. Siempre que se pueda, el rayo láser debería apuntarse bastante por encima o por debajo del nivel de los ojos.
- **No sitúe el láser cerca de una superficie reflectante que pudiera reflejar el rayo láser hacia los ojos de alguna persona.** Puede resultar en una lesión grave a los ojos.
- **Apague el láser cuando no esté en uso.** Si lo deja encendido, aumenta el riesgo de que alguien mire directamente al rayo láser.
- **No opere el láser en la presencia de niños ni permita que un niño opere el láser.** Podría resultar en una lesión grave a los ojos.

- **No quite ni escriba sobre las etiquetas de advertencia.** Si se quitan las etiquetas, el usuario u otras personas podrían quedar expuestos a radiación sin saberlo.
- **No abra el dispositivo usando herramientas como destornilladores y otras.**
- **Siempre ponga un cartel de advertencia en las áreas de trabajo en las que se utilicen láseres.**

⚠ADVERTENCIA: El uso de controles, los ajustes o la ejecución de procedimientos diferentes a los aquí especificados, podría resultar en una exposición peligrosa a radiación.

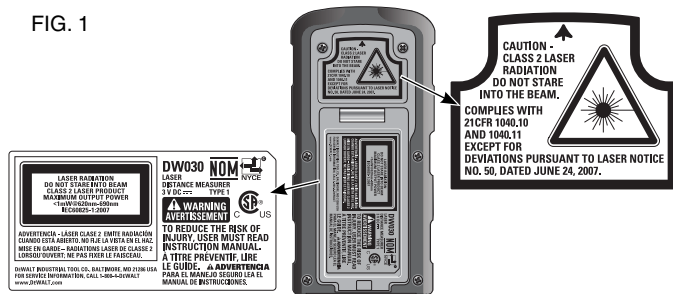
⚠¡ADVERTENCIA! NO DESARME EL DISPOSITIVO. No contiene piezas que el usuario pueda reparar. Si este dispositivo es desarmado, la garantía del producto quedará nula. No modifique el producto de ninguna forma. La modificación de la herramienta podría resultar en una exposición peligrosa a radiación láser.

- La etiqueta de su herramienta puede incluir los siguientes símbolos.

V_{DC} ... voltios, corriente continua nm... longitud de onda en nanómetros
mW... milivatios

* — ... símbolo de advertencia de láser

FIG. 1



- Para su conveniencia y seguridad, su láser tiene las siguientes etiquetas (Fig. 1).

ATENCIÓN: RADIACIÓN LÁSER CLASE 2 NO FIJE SU MIRADA EN EL RAYO LÁSER.

Información sobre el láser

El DW030 está catalogado como un PRODUCTO LÁSER DE CLASE 2 y cumple con el requisito aplicable del título 21 del Código de Reglamentación Federal presentado por: el Ministerio de Salud, Educación y Bienestar; la Administración de Drogas y Alimentos; el Centro para Dispositivos y Salud Radiológica.

Estos dispositivos cumplen con la Parte 15 del Reglamento de la FCC. Su operación está sujeta a las siguientes dos condiciones: (1) este dispositivo no puede causar interferencia dañina y (2) este dispositivo debe aceptar cualquier interferencia que reciba, incluyendo aquella interferencia que podría producir una operación no deseada.

NOTA: Este equipo ha sido probado y se ha encontrado que cumple con los límites establecidos para dispositivos digitales Clase B, en conformidad con la Parte 15 del Reglamento de la FCC. Estos límites están diseñados para ofrecer un nivel razonable de protección contra la interferencia dañina en instalaciones residenciales. Este equipo genera, utiliza y puede emitir energía de radiofrecuencia y, si no se instala y utiliza de acuerdo a las instrucciones proporcionadas, puede producir una interferencia dañina a la comunicación radial. Sin embargo, no existen garantías de que no ocurra interferencia alguna en una instalación en particular. Si este equipo produce interferencia dañina a su recepción radial y de televisión, lo que puede ser determinado al apagar y volver a encender el equipo, se pide al usuario que corrija la interferencia implementando una o más de las siguientes medidas:

- Cambie la orientación o el lugar donde está ubicada la antena receptora.
- Aumente el espacio que separa al equipo del receptor.
- Consulte con el concesionario o con un técnico de radio y televisión con experiencia que pueda ayudarle.

Estos dispositivos digitales de Clase B cumplen con ICES-003 del Ministerio de la Industria de Canadá.

ESPECIFICACIONES	
Potencia del láser	< 1 mw, PRODUCTO LÁSER CLASE 2
Límites [a 22°C (70°F)]	300 mm–30 m (1 pie–100 pies)
Precisión [a 22°C (70°F)]	± 3 mm (1/8 pulg.)
Fuente de alimentación	dos pilas AAA (LR03)
Batería Voltaje	2 x 1,5 V _{DC}
Temperatura de almacenamiento	–7°C a 70°C (20°F a 160°F)
CONDICIONES DE OPERACIÓN INDICADAS	
Entorno	Interior y exterior Resistente al agua
Temperatura	–7°C a 50°C (20°F a 120°F)
Humedad relativa	≤ 85%
Calidad del aire	Grado de polución 3
Altitud	≤ 3 500 m (11 500 pies)

Funcionamiento del láser

- Para prolongar la duración de la carga de las pilas, apague el láser cuando no esté en uso.
- Para asegurar la precisión de su trabajo, revise con frecuencia que el láser esté calibrado. Remítase a **Control de calibrado en el campo**, bajo **Mantenimiento del láser**.

- Antes de intentar utilizar el láser, verifique que el dispositivo no tenga defectos y que esté en buenas condiciones para su operación.
- Los cambios extremos de temperatura pueden causar el movimiento o desplazamiento de las estructuras edificadas, los trípodes metálicos y equipos, etc. lo cual puede afectar la precisión. Compruebe con frecuencia el nivel de precisión mientras trabaja.
- Si el láser se cae o recibe un golpe fuerte, mande a examinar la unidad a un centro de servicio calificado antes de utilizar el láser.

Instrucciones de seguridad importantes para pilas

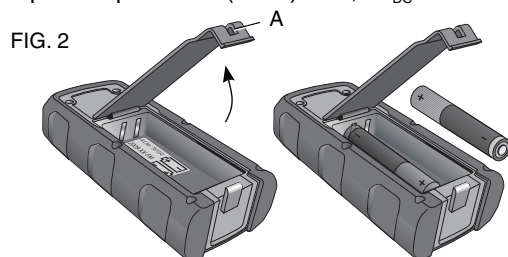
⚠ADVERTENCIA: Las pilas pueden explotar o tener fugas y pueden causar lesiones o incendios. Para reducir este riesgo:

- Siga bien todas las instrucciones y advertencias en la etiqueta y el paquete de la pila.
- Siempre inserte las pilas correctamente, fijándose que los terminales estén alineados correctamente con la polaridad (+ y –) marcada en la pila y el equipo.
- No haga cortocircuito con los terminales de la pila.
- No cargue las pilas.
- No mezcle pilas viejas con pilas nuevas. Cámbielas todas al mismo tiempo por pilas nuevas de la misma marca o del mismo tipo.
- Si las pilas se gastan completamente, retírelas de inmediato y disponga de ellas de acuerdo con los códigos locales.
- No queme las pilas.
- Mantenga las pilas fuera del alcance de niños.
- Si el dispositivo no será utilizado por varios meses, retire las pilas.

GUARDE ESTAS INSTRUCCIONES PARA FUTURAS CONSULTAS

Cómo instalar y retirar las pilas (Fig. 2)

NOTA: Este láser para medir distancia (o LDM en inglés) es alimentado por dos pilas AAA (LR03) de 1,5 V_{DC}.



CÓMO INSTALAR LAS PILAS

1. Levante la tapa del compartimento de pilas (A), como lo muestra la Figura 2.
2. Inserte dos pilas AAA (LR03) en el compartimento, orientando los polos + y - de las pilas de acuerdo a lo indicado en el interior del compartimento.

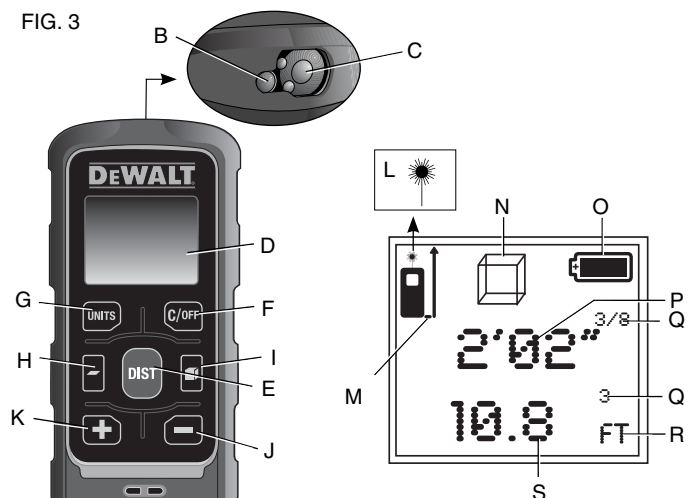
NOTA: Cuando el ícono de carga de las pilas pestañee en la pantalla de cristal líquido, cambie las pilas por 2 pilas AAA (LR03) nuevas.

PIEZAS (FIG. 2, 3)

- | | |
|--|--------------------------------|
| A. Cubierta del compartimento de pilas | F. Botón C/OFF (BORRAR/APAGAR] |
| B. Emisor del láser | G. Botón UNITS (UNIDADES) |
| C. Lente receptor | H. Botón de área |

- | | |
|---|---------------------|
| D. Pantalla de cristal líquido | I. Botón de volumen |
| E. Botón DIST (ON [DISTANCIA (ENCENDER)]) | J. Botón de resta |
| | K. Botón de suma |

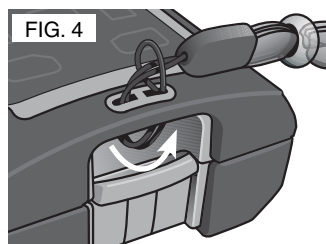
FIG. 3



Pantalla del láser

- | | |
|--|--|
| L. Indicador del láser | Q. Unidades con fracciones o exponentes |
| M. Indicador del plano de medición | R. Indicador de unidades |
| N. Indicador de área o volumen | S. Línea de lectura principal (inferior) |
| O. Indicador de carga de las pilas | |
| P. Línea de lectura adicional (superior) | |

Para instalar la pulsera de sujeción (Fig. 4)



FUNCIONAMIENTO

⚠ ATENCIÓN: Para reducir el riesgo de lesiones corporales o daños a la propiedad, y para garantizar que las lecturas sean de la más alta calidad y coherencia, deberían tomarse medidas de control en forma periódica, y antes y después de tomar medidas importantes. Remítase a **Control de calibrado en el campo, bajo Mantenimiento del láser.**

NOTA IMPORTANTE: Todas las medidas tomadas son en relación a la base de la unidad.

FIG. 5



Panel de control del láser

PARA ENCENDER EL LÁSER PARA MEDIR DISTANCIAS (LDM) (FIG. 2, 3) **DIST**

1. Inserte dos pilas AAA, como se indicó anteriormente. Verifique que la cubierta del compartimento de las pilas (A) esté bien cerrada y asegurada.
2. Oprima el botón DIST (ON) para encender el LDM. Un punto de láser rojo iluminará el lugar a dónde apunte el LDM.

NOTA: El ícono de carga de las pilas aparece cuando el LDM se enciende y hasta que se toma una medida.

PARA APAGAR EL LÁSER PARA MEDIR DISTANCIAS (LDM) **C/OFF**

Oprima y mantenga oprimido el botón C/OFF (F) hasta que se apague la unidad.

APAGADO AUTOMÁTICO

El LDM se apagará automáticamente si no se presiona ningún botón durante 3 minutos.

PARA BORRAR UNA MEDIDA

Oprima el botón C/OFF (F) una vez para borrar la última medida tomada.

Medidas

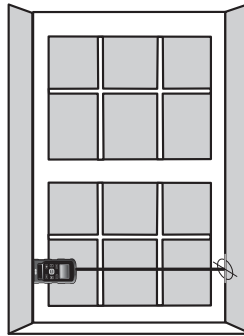
MEDICIÓN SIMPLE DE DISTANCIA (FIG. 6) **DIST**

1. Oprima el botón DIST (ON) (E) una vez para encender el LDM.
2. Apunte el LDM al punto objetivo.
3. Oprima el botón DIST (ON) (E) una vez para registrar la medida en la pantalla de cristal líquido (D).

MEDICIÓN CONTINUA DE DISTANCIA (FIG. 6)

DIST

FIG. 6



1. Oprima el botón DIST (ON) (E) una vez para encender el LDM.
2. Apunte el LDM al punto objetivo.
3. Oprima y mantenga oprimido el botón DIST (ON) (E) por tres segundos para activar la modalidad de medición continua de distancia. Mueva el LDM para medir la distancia deseada. Las letras 'trc' (tracking: rastreando) destellarán en la pantalla de cristal líquido.

NOTA: Cuando el LDM está en modalidad de medición continua de distancia, el indicador del láser (L) se enciende y mantiene encendido.

4. Oprima el botón DIST (ON) (E) una vez para detener la medición continua.

Funciones

PARA SUMAR O RESTAR MEDIDAS



1. Encienda el LDM.
2. Apunte el LDM al punto objetivo.
3. Oprima el botón DIST (ON) (E) una vez para medir la primera distancia.
4. Oprima el botón + ó - (K, J) para activar la función de suma o resta. En la pantalla aparecerá el signo + ó el signo -.

5. Oprima el botón DIST (ON) otra vez para tomar la segunda medida a sumar o restar. El resultado del cálculo aparecerá en la línea de lectura principal. La segunda medida aparecerá en la línea de lectura adicional.

PARA SELECCIONAR UNIDADES DE MEDICIÓN (FIG. 3)

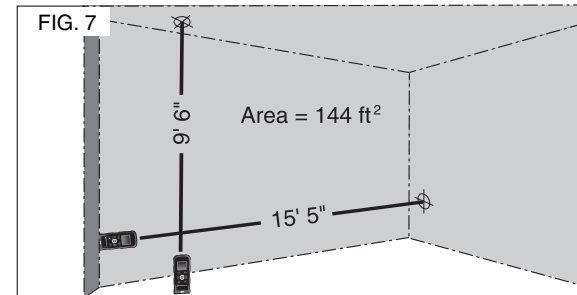
UNITS

El LDM cambia a la siguiente unidad de medición cada vez que se oprime el botón.

PARA MEDIR UN ÁREA (FIG. 7)



1. Encienda el LDM.
2. Oprima el botón para medir área (I). Aparecerá el ícono de área.



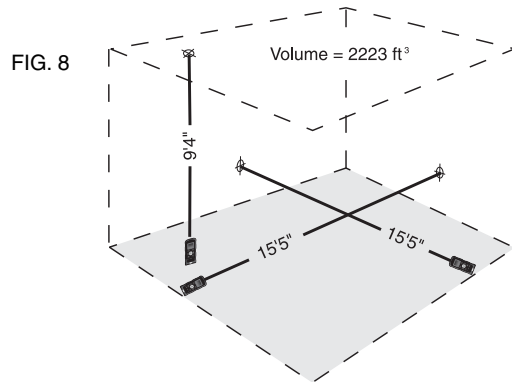
3. Apunte el LDM al primer punto objetivo, como aparece ilustrado. Oprima el botón DIST (ON) (E) una vez para medir la primera distancia.
4. Apunte el LDM al segundo punto objetivo deseado y oprima el botón DIST (ON) (E) una vez para registrar la segunda distancia.

5. El área calculada aparecerá en la línea de lectura principal (S). La segunda medida aparecerá en la línea de lectura adicional (P).

NOTA: La medida final aparecerá en pies cuadrados o metros cuadrados.

PARA MEDIR EL VOLUMEN DE UNA HABITACIÓN (FIG. 8)

1. Encienda el LDM.
2. Oprima el botón de medida de volumen (H). Aparecerá el ícono de volumen.
3. Apunte el LDM al primer punto objetivo, como aparece ilustrado. Oprima el botón DIST (ON) (E) una vez para medir la primera distancia.

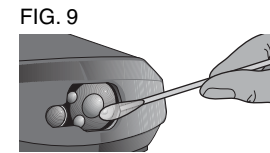


4. Apunte el LDM al segundo punto objetivo deseado y oprima el botón DIST (ON) (E) una vez para registrar la segunda distancia.
5. Apunte el LDM al tercer punto objetivo deseado y oprima el botón DIST (ON) (E) una vez para registrar la tercera distancia.
6. El volumen calculado aparecerá en la línea de lectura principal (S). La tercera medida aparecerá en la línea de lectura adicional (P).

NOTA: La medida final aparecerá como pies cúbicos o metros cúbicos.

MANTENIMIENTO DEL LÁSER

- En algunas condiciones es posible que se acumule tierra o polvo en el lente del emisor de láser y el receptor. Esto afectará la calidad del rayo y los límites de funcionamiento. El lente debería ser limpiado con un hisopo de algodón humedecido con agua, como lo muestra la Figura 9.



⚠ADVERTENCIA: **NO** encienda el LDM mientras limpie el lente. Podría resultar en una lesión grave a los ojos.

- El exterior de la unidad puede limpiarse con un paño mojado sin pelusas, como uno de algodón. USE SÓLO AGUA - NO use limpiadores o solventes. Permita que el LDM se seque al aire antes de almacenarlo.
- Para mantener la precisión de su lectura, tome medidas de control periódicas. Remítase a **Control de calibrado en el campo**.

- Si su LDM necesita ser reparado, comuníquese con su centro de servicio DEWALT local.
- Si no se utilizará el LDM, almacénelo en el estuche que viene incluido.
- No almacene su LDM en el estuche si está mojado. Seque las piezas externas con un paño suave y seco y permita que el **LDM** se seque al aire.
- No almacene su **LDM** a temperaturas menores que $-7\text{ }^{\circ}\text{C}$ (20°F) o mayores que $70\text{ }^{\circ}\text{C}$ ($160\text{ }^{\circ}\text{F}$).

⚠ATENCIÓN: Nunca utilice solventes u otros químicos fuertes cuando limpie las piezas no metálicas del láser. Estos químicos podrían debilitar los materiales utilizados en estas piezas. Use un paño humedecido con agua y jabón suave. Jamás deje que le entre líquido a la unidad; nunca sumerja ninguna parte de la unidad. Nunca use aire comprimido para limpiar el láser.

Control de calibrado en el campo

Mida una distancia conocida [dentro de un límite de 3 a 10 m (10 a 30 pies)] con el LDM para confirmar que esté funcionando debidamente.

Resolución de problemas

Si las condiciones no permiten tomar una medida precisa, aparecerá un código de error en la pantalla de cristal líquido. Para obtener una descripción de los códigos de error, remítase a la siguiente tabla.

Código	Descripción	Corrección
204	Error de cálculo	Repita la medida
252	LDM demasiado caliente	Deje que el LDM se enfríe
253	LDM demasiado frío	Deje que el LDM se caliente
255	Señal débil	Cambie la superficie objetivo (por ejemplo, si es una puerta de vidrio, pegue un papel blanco al vidrio)
256	Lectura incorrecta	Cambie la superficie objetivo (por ejemplo, si es una puerta de vidrio, pegue un papel blanco al vidrio)
257	Demasiada luz de fondo	Genere sombra para el área objetivo
258	Fuera del límite	Manténgase dentro del límite de funcionamiento
260	Rayo láser interrumpido	Repita la medida

Accesorios para el láser

Los accesorios recomendados para su LDM están disponibles con un cargo adicional en su centro de servicio local.

⚠ADVERTENCIA: Como otros accesorios fuera de los ofrecidos por DEWALT no han sido probados con este producto, el uso de tales accesorios con esta herramienta puede ser peligroso. Para reducir el riesgo de lesiones, sólo se deberían usar los accesorios recomendados por DEWALT con este producto.

Si necesita ayuda para ubicar algún accesorio, por favor póngase en contacto con DEWALT Industrial Tool Co., 701 East Joppa Road, Baltimore, MD 21286, llame al 1-800-4-DEWALT (1-800-433-9258) o visite nuestro sitio Web www.dewalt.com.

⚠ PELIGRO: PARA REDUCIR EL RIESGO DE LESIONES CORPORALES GRAVES, NUNCA MIRE DIRECTAMENTE AL RAYO LÁSER, CON O SIN GAFAS DE SEGURIDAD.

Reparaciones

IMPORTANTE: Si se desarma el LDM, la garantía del producto quedará nula.

Las reparaciones, el mantenimiento y los ajustes de este producto deberían ser realizados por un centro de servicio de fábrica DEWALT, un centro de servicio autorizado por DEWALT u otro personal de servicio calificado para garantizar la SEGURIDAD y FIABILIDAD del producto. Siempre utilice repuestos idénticos.

Póliza de Garantía

IDENTIFICACIÓN DEL PRODUCTO:

Sello o firma del Distribuidor.

Nombre del producto: _____ Mod./Cat.: _____

Marca: _____ Núm. de serie: _____

(Datos para ser llenados por el distribuidor)

Fecha de compra y/o entrega del producto: _____

Nombre y domicilio del distribuidor donde se adquirió el producto: _____

Este producto está garantizado por un año a partir de la fecha de entrega, contra cualquier defecto en su funcionamiento, así como en materiales y mano de obra empleados para su fabricación. Nuestra garantía incluye la reparación o reposición del producto

y/o componentes sin cargo alguno para el cliente, incluyendo mano de obra, así como los gastos de transportación razonablemente erogados derivados del cumplimiento de este certificado.

Para hacer efectiva esta garantía deberá presentar su herramienta y esta póliza sellada por el establecimiento comercial donde se adquirió el producto, de no contar con ésta, bastará la factura de compra.

EXCEPCIONES

Esta garantía no será válida en los siguientes casos:

- Cuando el producto se hubiese utilizado en condiciones distintas a las normales;
- Cuando el producto no hubiese sido operado de acuerdo con el instructivo de uso que se acompaña;
- Cuando el producto hubiese sido alterado o reparado por personas distintas a las enlistadas al final de este certificado.

Anexo encontrará una relación de sucursales de servicio de fábrica, centros de servicio autorizados y franquiciados en la República Mexicana, donde podrá hacer efectiva su garantía y adquirir partes, refacciones y accesorios originales.

Garantía limitada por tres años

DEWALT reparará, sin cargo, cualquier falla que surja de defectos en el material o la fabricación del producto, por hasta tres años a contar de la fecha de compra. Esta garantía no cubre fallas de las piezas causadas por su desgaste normal o abuso a la herramienta. Para mayores detalles sobre la cobertura de la garantía e información acerca de reparaciones realizadas bajo garantía, visítenos en www.dewalt.com o dirígase al centro de servicio más cercano. Esta garantía no aplica a accesorios o a daños causados por reparaciones realizadas o intentadas por terceros.

Esta garantía le otorga derechos legales específicos, además de los cuales puede tener otros dependiendo del estado o la provincia en que se encuentre.

Además de la garantía, las herramientas DEWALT están cubiertas por:

1 AÑO DE SERVICIO GRATUITO

DEWALT mantendrá la herramienta y reemplazará las piezas gastadas por su uso normal, sin cobro, en cualquier momento durante un año a contar de la fecha de compra. Los artículos gastados por la clavadora, tales como la unidad de hoja y retorno del impulsador, no están cubiertas.

GARANTÍA DE REEMBOLSO DE SU DINERO POR 90 DÍAS

Si no está completamente satisfecho con el desempeño de su máquina herramienta, láser o clavadora DEWALT, cualquiera sea el motivo, podrá devolverlo hasta 90 días de la fecha de compra con su recibo y obtener el reembolso completo de su dinero – sin necesidad de responder a ninguna pregunta.

AMÉRICA LATINA: Esta garantía no se aplica a los productos que se venden en América Latina. Para los productos que se venden en América Latina, debe consultar la información de la garantía específica del país que viene en el empaque, llamar a la compañía local o visitar el sitio Web a fin de obtener esa información.

REEMPLAZO GRATUITO DE LAS ETIQUETAS DE ADVERTENCIAS: Si sus etiquetas de advertencia (Fig. 1) se vuelven ilegibles o faltan, llame al 1-800-4-DEWALT (1-800-433-9258) para que se le reemplacen gratuitamente.

PARA REPARACIÓN Y SERVICIO DE SUS HERRAMIENTAS ELÉCTRICAS, FAVOR DE DIRIGIRSE AL CENTRO DE SERVICIO MÁS CERCANO

CULIACAN, SIN Blvd.Emiliano Zapata 5400-1 Poniente Col. San Rafael	(667) 717 89 99
GUADALAJARA, JAL Av. La Paz #1779 - Col. Americana Sector Juárez	(33) 3825 6978
MEXICO, D.F. Eje Central Lázaro Cárdenas No. 18 Local D, Col. Obrera	(55) 5588 9377
MERIDA, YUC Calle 63 #459-A - Col. Centro	(999) 928 5038
MONTERREY, N.L. Av. Francisco I. Madero 831 Poniente - Col. Centro	(818) 375 23 13
PUEBLA, PUE 17 Norte #205 - Col. Centro	(222) 246 3714
QUERETARO, QRO Av. San Roque 274 - Col. San Gregorio	(442) 2 17 63 14
SAN LUIS POTOSI, SLP Av. Universidad 1525 - Col. San Luis	(444) 814 2383
TORREON, COAH Blvd. Independencia, 96 Pte. - Col. Centro	(871) 716 5265
VERACRUZ, VER Prolongación Díaz Mirón #4280 - Col. Remes	(229) 921 7016
VILLAHERMOSA, TAB Constitución 516-A - Col. Centro	(993) 312 5111

PARA OTRAS LOCALIDADES:

Si se encuentra en México, por favor llame al (55) 5326 7100

Si se encuentra en U.S., por favor llame al

1-800-433-9258 (1-800 4-DEWALT)

Español

SOLAMENTE PARA PROPÓSITO DE MÉXICO:
IMPORTADO POR: DEWALT S.A. DE C.V.
BOSQUES DE CIDROS, ACCESO RADIATAS NO.42
3A. SECCIÓN DE BOSQUES DE LAS LOMAS
DELEGACIÓN CUAJIMALPA,
05120, MÉXICO, D.F.
TEL. (52) 555-326-7100
R.F.C.: BDE810626-1W7

Para servicio y ventas consulte
"HERRAMIENTAS ELECTRICAS"
en la sección amarilla.



Español



DEWALT Industrial Tool Co., 701 East Joppa Road, Baltimore, MD 21286 (APR09) Part No. N032139 DW030 Copyright © 2009 DEWALT
The following are trademarks for one or more DEWALT power tools: the yellow and black color scheme; the “D” shaped air intake grill; the array of pyramids on the handgrip; the kit box configuration; and the array of lozenge-shaped humps on the surface of the tool.