

DELPHI SERIES



FEATURES

- ◆ High efficiency: 86.5% @ 12V/1.25A
- ◆ Standard footprint
- ◆ Surface mountable
- ◆ Industry standard pin out
- ◆ Low profile: 0.48"
- ◆ Fixed frequency operation
- ◆ Input UVLO, Output OCP, OVP
- ◆ No minimum load required
- ◆ 2:1 input voltage range
- ◆ ISO 9001, TL 9000, ISO 14001, QS 9000, OHSAS 18001 certified manufacturing facility
- ◆ UL/cUL 60950 (US & Canada) Recognized, and TUV (EN60950) Certified
- ◆ CE mark meets 73/23/EEC and 93/68/EEC directives

Delphi Series S48SS, 15W Family DC/DC Power Module: 48V in, 12V/1.25A out

The Delphi Series S48SS, surface mountable, 48V input, single output, isolated DC/DC converter, is the latest offering from a world leader in power system and technology and manufacturing— Delta Electronics, Inc. This product family provides up to 15 watts of power or up to 4.5A of output current (for 3.3V and below) in an industry standard footprint. With creative design technology and optimization of component placement, the Delphi Series Small Power converters possess outstanding electrical and thermal performance, as well as extremely high reliability under highly stressful operating conditions. All models are protected from abnormal input/output voltage and current conditions. An encapsulated version is available for the most robust performance in harsh environments.

Applications

- ◆ Telecom/DataCom
- ◆ Wireless Networks
- ◆ Optical Network Equipment
- ◆ Server and Data Storage
- ◆ Industrial/Test Equipment

TECHNICAL SPECIFICATIONS

(T_A=25°C, airflow rate=300 LFM, V_{in}=48Vdc, nominal V_{out} unless otherwise noted.)

PARAMETER	NOTES and CONDITIONS	S48SS12001NRFA			
		Min.	Typ.	Max.	Units
ABSOLUTE MAXIMUM RATINGS					
Input Voltage					
Continuous				80	Vdc
Transient (100ms)	100ms			100	Vdc
Operating Temperature	Refer to Figure 12 for the measuring point	-40		100	°C
Storage Temperature		-55		125	°C
Input/Output Isolation Voltage	1 minute	1500			Vdc
INPUT CHARACTERISTICS					
Operating Input Voltage		36	48	75	V
Input Under-Voltage Lockout					
Turn-On Voltage Threshold		33.8	34.5	35.8	V
Turn-Off Voltage Threshold		32.0	33.5	34.5	V
Lockout Hysteresis Voltage		0.5	1.5	2.5	V
Maximum Input Current	100% Load, 36Vin			0.6	A
No-Load Input Current			25		mA
Off Converter Input Current			1		mA
Inrush Current(I _t)			0.01		A ² s
Input Reflected-Ripple Current	P-P thru 12µH inductor, 5Hz to 20MHz		5		mA
Input Voltage Ripple Rejection	120 Hz		55		dB
OUTPUT CHARACTERISTICS					
Output Voltage Set Point	V _{in} =48V, I _o =50% I _{o,max} , T _c =25°C	11.76	12.00	12.24	V
Output Voltage Regulation					
Over Load	I _o =I _{o,min} to I _{o,max}		±12	±60	mV
Over Line	V _{in} =36V to 75V		±12	±36	mV
Over Temperature	T _c =-40°C to 100°C		100	300	ppm/°C
Total Output Voltage Range	Over sample load, line and temperature	TBD		TBD	V
Output Voltage Ripple and Noise	5Hz to 20MHz bandwidth				
Peak-to-Peak	Full Load, 1µF ceramic, 10µF tantalum		50	100	mV
RMS	Full Load, 1µF ceramic, 10µF tantalum		15	25	mV
Operating Output Current Range		0		1.25	A
Output DC Current-Limit Inception	Output Voltage 10% Low	1.5	2	2.5	A
DYNAMIC CHARACTERISTICS					
Output Voltage Current Transient	48V, 10µF Tan & 1µF Ceramic load cap, 0.1A/µs				
Positive Step Change in Output Current	50% I _o , max to 75% I _o , max		100	240	mV
Negative Step Change in Output Current	75% I _o , max to 50% I _o , max		100	240	mV
Setting Time to 1% of Final Value			600		µs
Turn-On Transient					
Start-Up Time, From On/Off Control			35	50	ms
Start-Up Time, From Input			35	50	ms
Maximum Output Capacitance	Full load; 5% overshoot of V _{out} at startup			47	µF
EFFICIENCY					
100% Load		84	86.5		%
ISOLATION CHARACTERISTICS					
Isolation Voltage		1500			V
Isolation Resistance		100			MΩ
Isolation Capacitance			500		pF
FEATURE CHARACTERISTICS					
Switching Frequency			260		kHz
ON/OFF Control, (Logic Low-Module ON)					
Logic Low	V _{on/off} at I _{on/off} =1.0mA	0		0.8	V
Logic High	V _{on/off} at I _{on/off} =0.0 µA			15	V
ON/OFF Current	I _{on/off} at V _{on/off} =0.0V			1	mA
Leakage Current	Logic High, V _{on/off} =15V			50	µA
Output Voltage Trim Range	Across Trim Pin & +V _o or -V _o , P _{out} ≤ max rated power	-10		+10	%
Output Over-Voltage Protection	Over full temp range; % of nominal V _{out}	115	125	140	%
GENERAL SPECIFICATIONS					
Calculated MTBF	I _o =80% of I _o , max; T _c =40°C		3		M hours
Weight			12.5		grams



ELECTRICAL CHARACTERISTICS CURVES

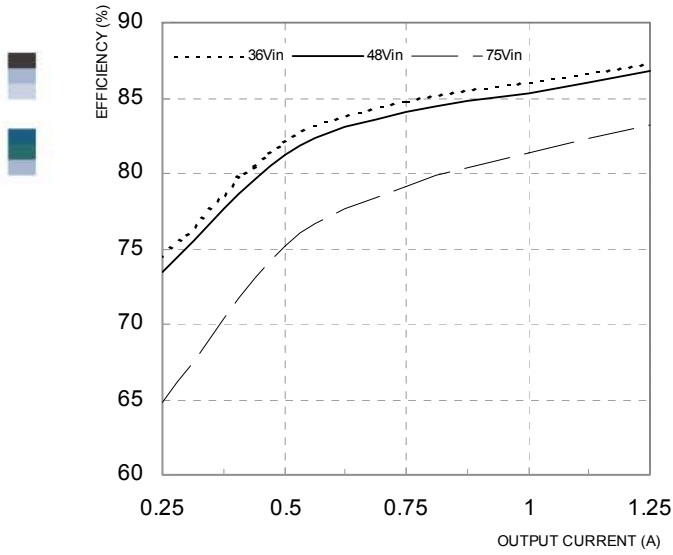


Figure 1: Efficiency vs. load current for minimum, nominal, and maximum input voltage at 25°C.

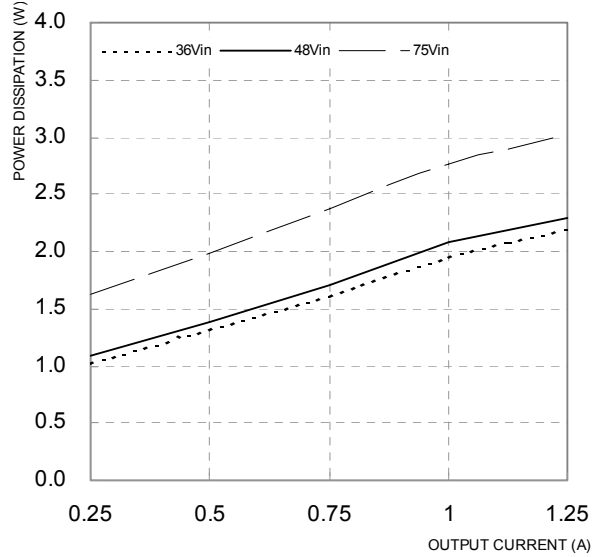


Figure 2: Power dissipation vs. load current for minimum, nominal, and maximum input voltage at 25°C.

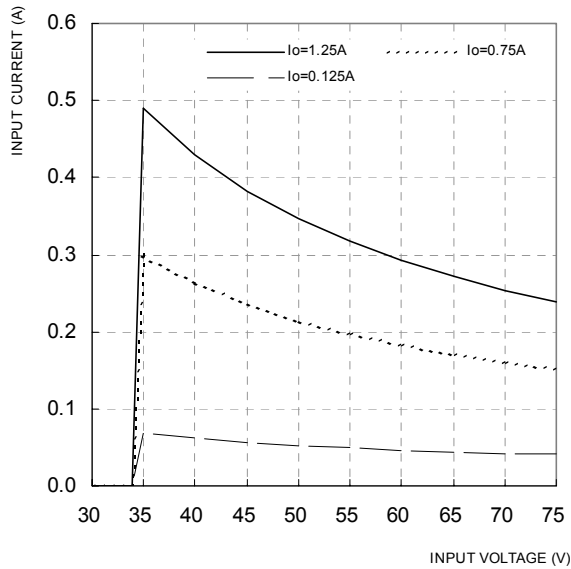


Figure 3: Typical input characteristics at room temperature.

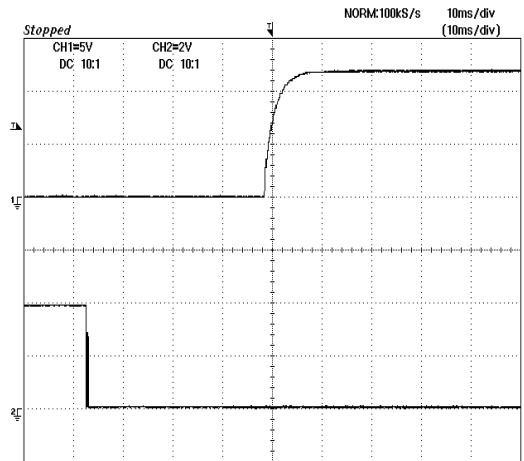


Figure 4: Turn-on transient at full rated load current (resistive load) (10 ms/div). Top Trace: Vout (5V/div); Bottom Trace: ON/OFF Control (2V/div).

ELECTRICAL CHARACTERISTICS CURVES

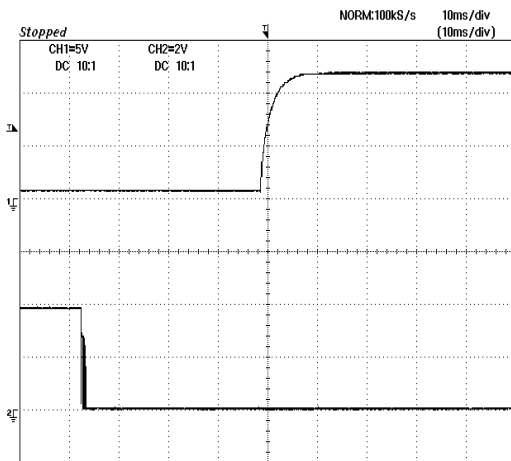


Figure 5: Turn-on transient at zero load current (10 ms/div). Top Trace: V_{out} (5V/div); Bottom Trace: ON/OFF Control (2V/div).

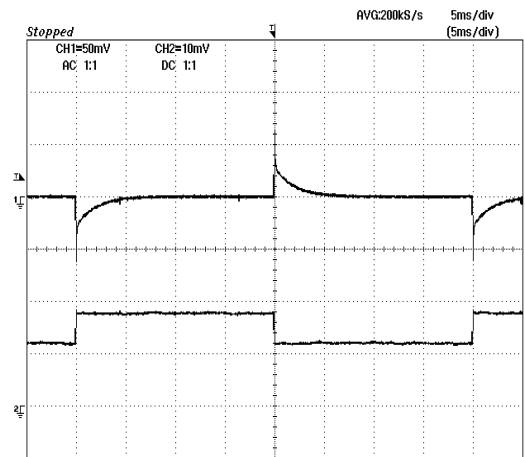


Figure 6: Output voltage response to step-change in load current (50%-75%-50% of $I_{o, max}$; $di/dt = 0.1A/\mu s$). Load cap: $10\mu F$, $100\ m\Omega$ ESR tantalum capacitor and $1\mu F$ ceramic capacitor. Top Trace: V_{out} (50mV/div), Bottom Trace: I_{out} (0.5A/div).

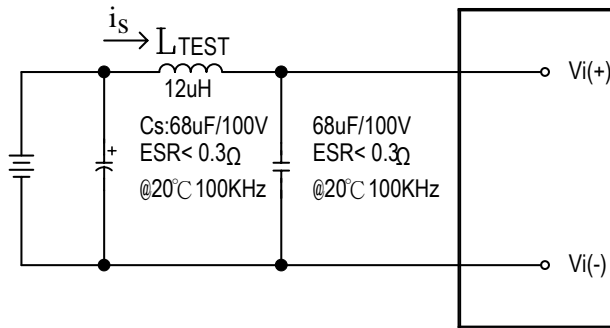


Figure 7: Test set-up diagram showing measurement points for Input Reflected Ripple Current (Figure 8). Note: Measured input reflected-ripple current with a simulated source Inductance (L_{TEST}) of $12\ \mu H$. Capacitor C_s offset possible battery impedance.

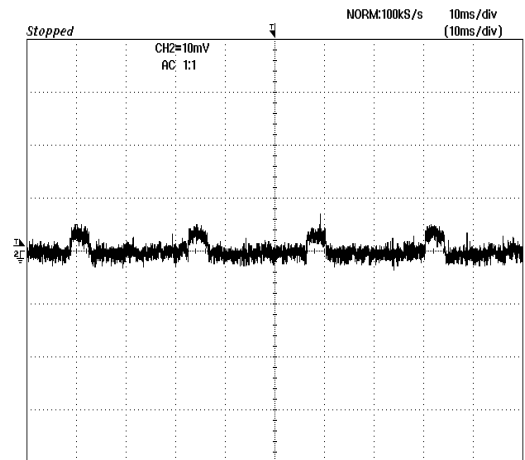


Figure 8: Input Reflected Ripple Current, i_s , at full rated output current and nominal input voltage with $12\mu H$ source impedance and $68\mu F$ electrolytic capacitor (2 mA/div)

ELECTRICAL CHARACTERISTICS CURVES

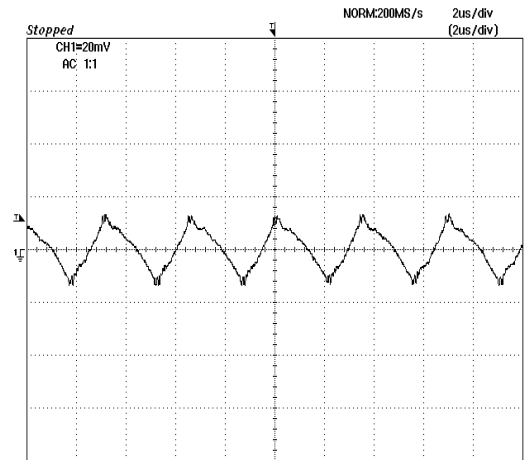
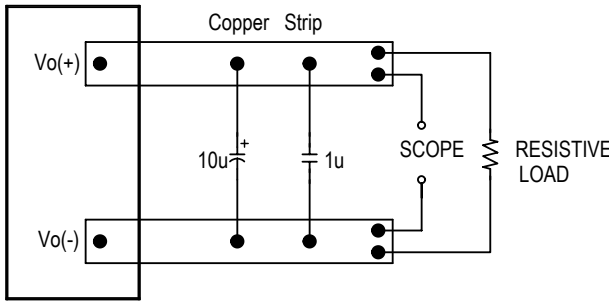


Figure 9: Output voltage noise and ripple measurement test setup. Scope measurement should be made using a BNC cable (length shorter than 20 inches). Position the load between 51 mm to 76 mm (2 inches to 3 inches) from the module.

Figure 10: Output voltage ripple at nominal input voltage and rated load current (20 mV/div). Load capacitance: 1µF ceramic capacitor and 10µF tantalum capacitor. Bandwidth: 20 MHz.

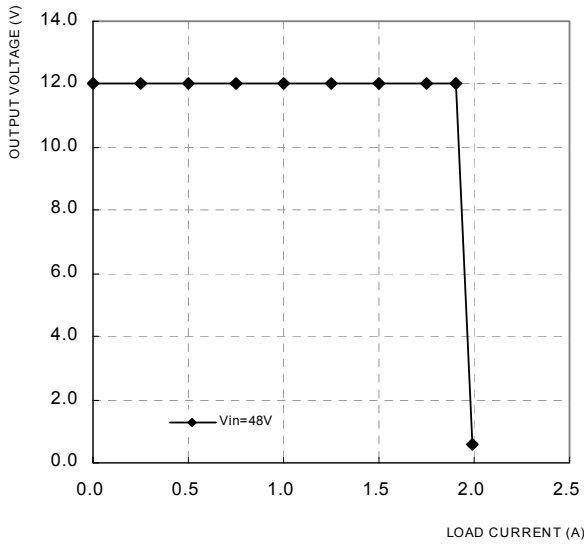
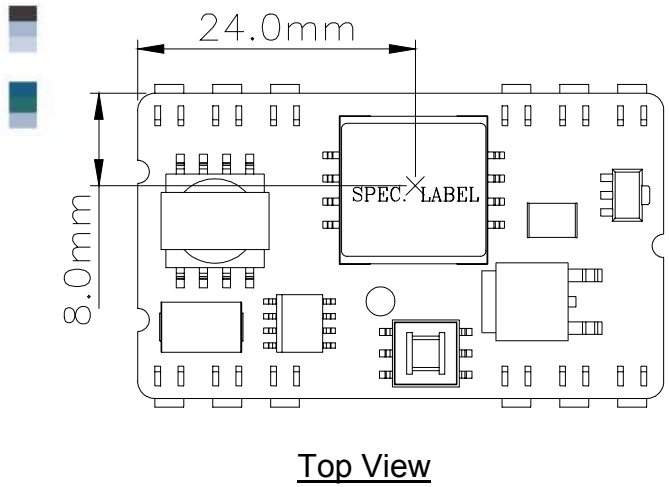


Figure 11: Output voltage vs. load current showing typical current limit curves and converter shutdown points.

THERMAL CURVES:



Top View

Figure 12: Case temperature measurement location. Pin locations are for reference only.

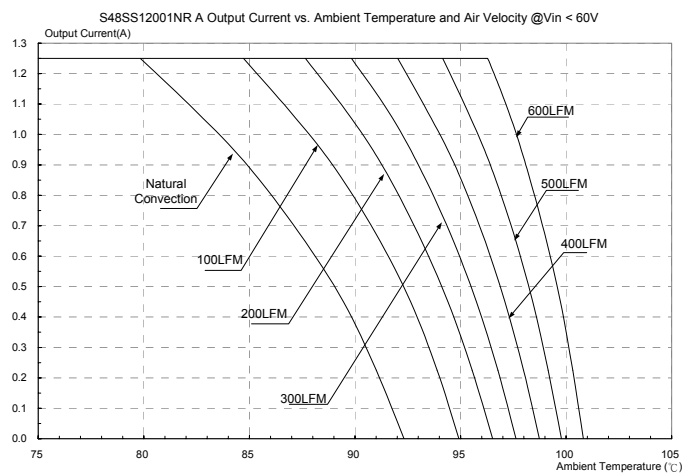


Figure 13: Output current vs. ambient temperature and air velocity (Vin < 60V)

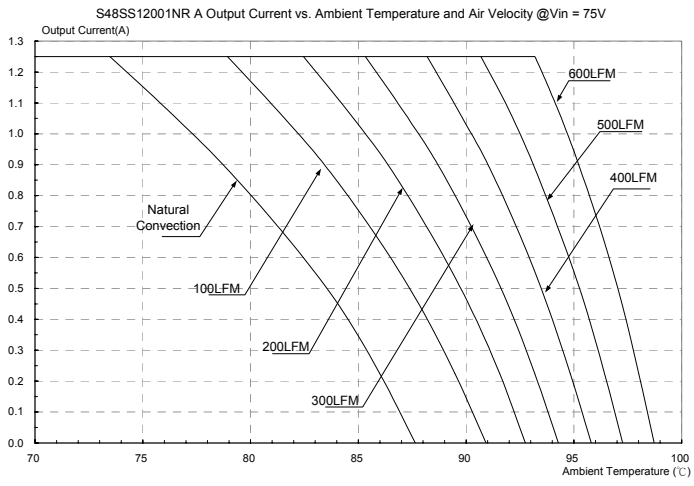


Figure 14: Output current vs. ambient temperature and air velocity (Vin=75V)

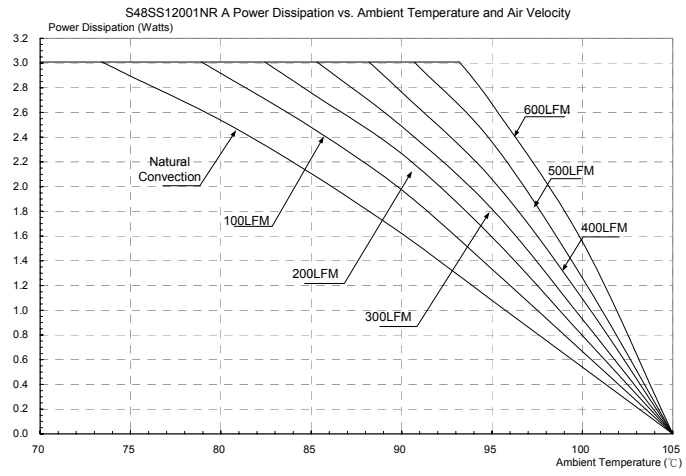


Figure 15: Power dissipation vs. ambient temperature and air velocity.

DESIGN CONSIDERATION

Input Source Impedance

The impedance of the input source connecting to the DC/DC power modules will interact with the modules and affect the stability. A low ac-impedance input source is recommended. If the source inductance is more than a few μH , we advise adding a 10 to 100 μF electrolytic capacitor ($\text{ESR} < 0.7 \Omega$ at 100 kHz) mounted close to the input of the module to improve the stability.

Layout and EMC Considerations

Delta's DC/DC power modules are designed to operate in a wide variety of systems and applications. For design assistance with EMC compliance and related PWB layout issues, please contact Delta's technical support team. An external input filter module is available for easier EMC compliance design. Application notes to assist designers in addressing these issues are pending release.

Safety Considerations

The power module must be installed in compliance with the spacing and separation requirements of the end-user's safety agency standard if the system in which the power module is to be used must meet safety agency requirements.

When the input source is 60Vdc or below, the power module meets SELV (safety extra-low voltage) requirements. If the input source is a hazardous voltage which is greater than 60 Vdc and less than or equal to 75 Vdc, for the module's output to meet SELV requirements, all of the following must be met:

- The input source must be insulated from any hazardous voltages, including the ac mains, with reinforced insulation.
- One V_i pin and one V_o pin are grounded, or all the input and output pins are kept floating.
- The input terminals of the module are not operator accessible.
- A SELV reliability test is conducted on the system where the module is used to ensure that under a single fault, hazardous voltage does not appear at the module's output.

Do not ground one of the input pins without grounding one of the output pins. This connection may allow a non-SELV voltage to appear between the output pin and ground.

This power module is not internally fused. To achieve optimum safety and system protection, an input line fuse is highly recommended. The safety agencies require a normal-blow fuse with 1A maximum rating to be installed in the ungrounded lead. A lower rated fuse can be used based on the maximum inrush transient energy and maximum input current.

Soldering and Cleaning Considerations

Post solder cleaning is usually the final board assembly process before the board or system undergoes electrical testing. Inadequate cleaning and/or drying may lower the reliability of a power module and severely affect the finished circuit board assembly test. Adequate cleaning and/or drying is especially important for un-encapsulated and/or open frame type power modules. For assistance on appropriate soldering and cleaning procedures, please contact Delta's technical support team.



FEATURES DESCRIPTIONS

Over-Current Protection

The modules include an internal output over-current protection circuit, which will endure current limiting for an unlimited duration during output overload. If the output current exceeds the OCP set point, the modules will automatically shut down (hiccup mode).

The modules will try to restart after shutdown. If the overload condition still exists, the module will shut down again. This restart trial will continue until the overload condition is corrected.

Over-Voltage Protection

The modules include an internal output over-voltage protection circuit, which monitors the voltage on the output terminals. If this voltage exceeds the over-voltage set point, the module will shut down and latch off. The over-voltage latch is reset by cycling the input power or by toggling the ON/OFF signal for one second.

Output Voltage Adjustment (TRIM)

To increase or decrease the output voltage set point, the modules may be connected with an external resistor between the TRIM pin and either the Vo+ or Vo -. The TRIM pin should be left open if this feature is not used.

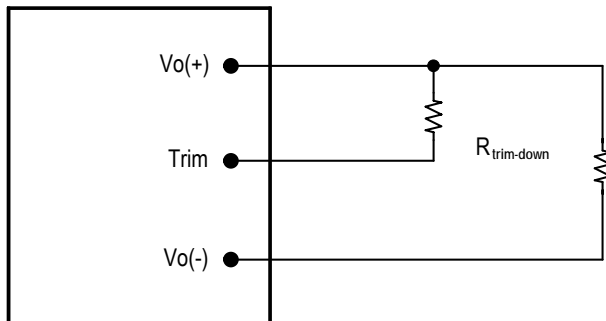


Figure 16: Circuit configuration for trim-down (decrease output voltage)

If the external resistor is connected between the TRIM and Vo+ pins, the output voltage set point decreases. The external resistor value required to obtain a percentage of output voltage change $\Delta Vo\%$ is defined as:

$$R_{\text{trim-down}} = \frac{222.732 - 248.4\Delta Vo}{12\Delta Vo + 0.07} - 3.32 [\text{K}\Omega]$$

Ex. When trim-down -10% ($12\text{V} \times 0.9 = 10.8\text{V}$)

$$R_{\text{trim-down}} = \frac{222.732 - 248.4 \times 0.1}{12 \times 0.1 + 0.07} - 3.32 = 152.50 [\text{K}\Omega]$$

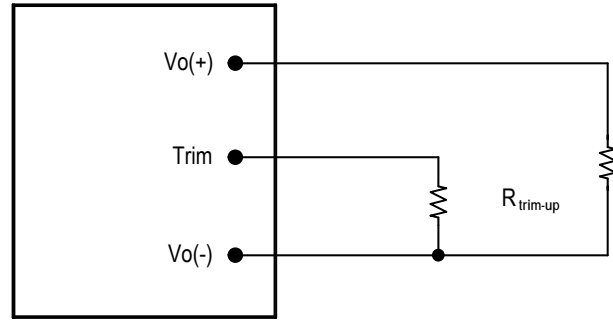


Figure 17: Circuit configuration for trim-up (increase output voltage)

If the external resistor is connected between the TRIM and Vo - the output voltage set point increases. The external resistor value required to obtain a percentage output voltage change $\Delta Vo\%$ is defined as:

$$R_{\text{trim-up}} = \frac{25.668}{12\Delta Vo - 0.07} - 3.32 [\text{K}\Omega]$$

Ex. When trim-up $+10\%$ ($12\text{V} \times 1.1 = 13.2\text{V}$)

$$R_{\text{trim-up}} = \frac{25.668}{12 \times 0.1 - 0.07} - 3.32 = 19.39 [\text{K}\Omega]$$

Care should be taken to ensure that the maximum output power of the module remains at or below the maximum rated power.

Remote ON/OFF

The remote on/off feature on the module can be either negative or positive logic. Negative logic turns the module on during a logic low and off during a logic high. Positive logic turns the modules on during a logic high and off during a logic low. Remote on/off can be controlled by an external switch between the on/off terminal and the Vi(-) terminal. The switch can be an open collector or open drain. If the remote on/off feature is not used, please short the on/off pin to Vi(-) for negative logic and let the pin open for positive logic.

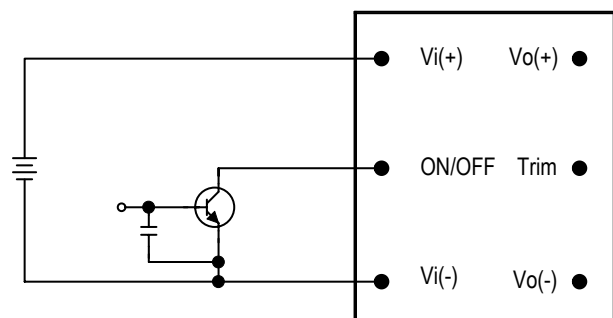


Figure 18: Circuit Configuration for Remote ON/OFF



THERMAL CONSIDERATIONS

Thermal management is an important part of the system design. To ensure proper, reliable operation, sufficient cooling of the power module is needed over the entire temperature range of the module. Convection cooling is usually the dominant mode of heat transfer.

Hence, the choice of equipment to characterize the thermal performance of the power module is a wind tunnel.

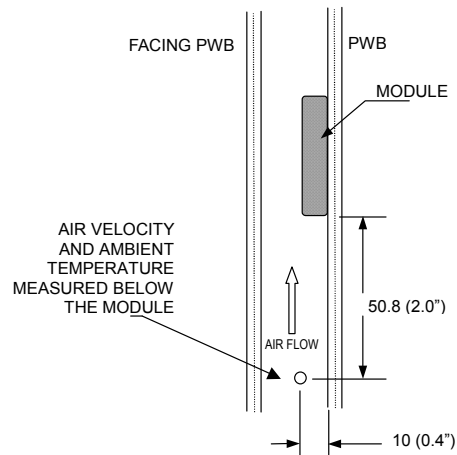
Thermal Testing Setup

Delta's DC/DC power modules are characterized in heated vertical wind tunnels that simulate the thermal environments encountered in most electronics equipment. This type of equipment commonly uses vertically mounted circuit cards in cabinet racks in which the power modules are mounted.

The following figure shows the wind tunnel characterization setup. The power module is mounted on a test PWB and is vertically positioned within the wind tunnel. The space between the neighboring PWB and the top of the power module or a heat sink is 6.35mm (0.25").

Thermal Derating

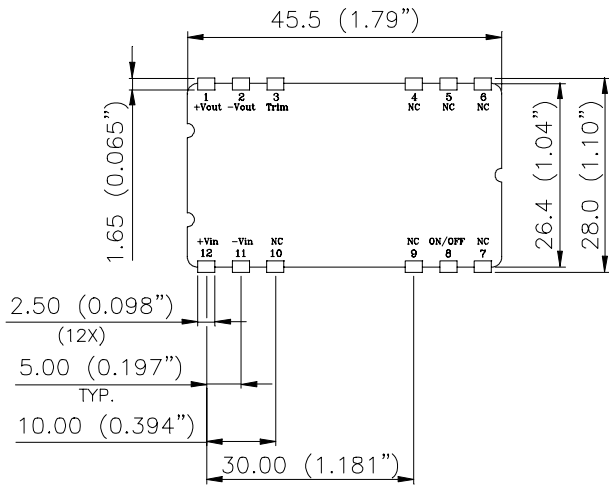
Heat can be removed by increasing airflow over the module. Figure 13 and 14 show maximum output is a function of ambient temperature and airflow rate. The module's maximum case temperature is +100°C. To enhance system reliability, the power module should always be operated below the maximum operating temperature. If the temperature exceeds the maximum module temperature, reliability of the unit may be affected.



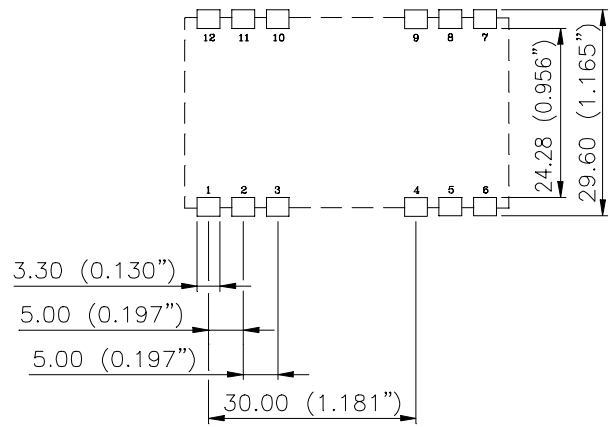
Note: Wind Tunnel Test Setup Figure Dimensions are in millimeters and (Inches)

Figure 19: Wind tunnel test setup

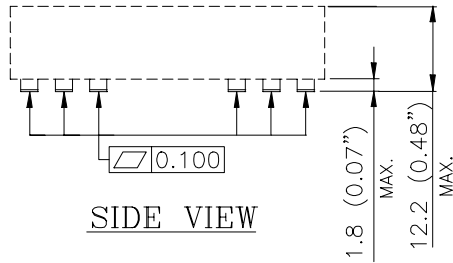
MECHANICAL DRAWING



BOTTOM VIEW



RECOMMENDED PWB LAYOUT



SIDE VIEW

NOTES:
 DIMENSIONS ARE IN MILLIMETERS AND (INCHES)
 TOLERANCES: X.Xmm±0.5mm(X.XX in.±0.02 in.)
 X.XXmm±0.25mm(X.XXX in.±0.010 in.)

Pin No.	Name	Function
1	+Vout	Positive output voltage
2	-Vout	Negative output voltage
3	Trim	Output voltage trim
4	NC	No Connection
5	NC	No Connection
6	NC	No Connection
7	NC	No Connection
8	ON/OFF	ON/OFF Logic
9	NC	No Connection
10	NC	No Connection
11	-Vin	Negative input voltage
12	+Vin	Positive input voltage

PART NUMBERING SYSTEM

S	48	S	S	120	01	N	R	F	A
Form Factor	Input Voltage	Number of Outputs	Product Series	Output Voltage	Output Current	ON/OFF Logic	Pin Length		Option Code
S- Small Power	48V-36V~75V	S- Single	S- SMD	120- 12.0V	01- 1.25A	N- Negative P- Positive	R- SMD Pin	F- RoHS 6/6 (Lead Free)	A- Standard Function

MODEL LIST

MODEL NAME	INPUT		OUTPUT		EFF @ 100% LOAD
S48SS1R805NRFA	36V~75V	0.5A	1.8V	5.0A	80.0%
S48SS2R504NRFA	36V~75V	0.5A	2.5V	4.5A	83.0%
S48SS3R303NRFA	36V~75V	0.5A	3.3V	3.0A	84.0%
S48SS3R304NRFA	36V~75V	0.6A	3.3V	4.5A	86.0%
S48SS05002NRFA	36V~75V	0.5A	5.0V	2.0A	84.0%
S48SS05003NRFA	36V~75V	0.6A	5.0V	3.0A	86.5%
S48SS12001NRFA	36V~75V	0.6A	12V	1.25A	86.5%

CONTACT: www.delta.com.tw/dcdc

USA:

Telephone:
East Coast: (888) 335 8201
West Coast: (888) 335 8208
Fax: (978) 656 3964
Email: DCDC@delta-corp.com

Europe:

Phone: +41 31 998 53 11
Fax: +41 31 998 53 53
Email: DCDC@delta-es.com

Asia & the rest of world:

Telephone: +886 3 4526107 ext 6220
Fax: +886 3 4513485
Email: DCDC@delta.com.tw

WARRANTY

Delta offers a two (2) year limited warranty. Complete warranty information is listed on our web site or is available upon request from Delta.

Information furnished by Delta is believed to be accurate and reliable. However, no responsibility is assumed by Delta for its use, nor for any infringements of patents or other rights of third parties, which may result from its use. No license is granted by implication or otherwise under any patent or patent rights of Delta. Delta reserves the right to revise these specifications at any time, without notice.