



INSTALLATION and SERVICE INSTRUCTIONS  
USE and CARE INSTRUCTIONS

**DS 61 GW**  
DUAL FUEL COOKER



distributed by  
**DèLonghi**  
Pty Ltd

***Dear Customer,***

*Thank you for having purchased and given your preference to our product.*

*The safety precautions and recommendations reported below are for your own safety and that of others. They will also provide a means by which to make full use of the features offered by your appliance.*

*Please keep this booklet in a safe place. It may be useful in future, either to yourself or to others in the event that doubts should arise relating to its operation.*

***This appliance must be used only for the task it has explicitly been designed for, that is for cooking foodstuffs. Any other form of usage is to be considered as inappropriate and therefore dangerous.***

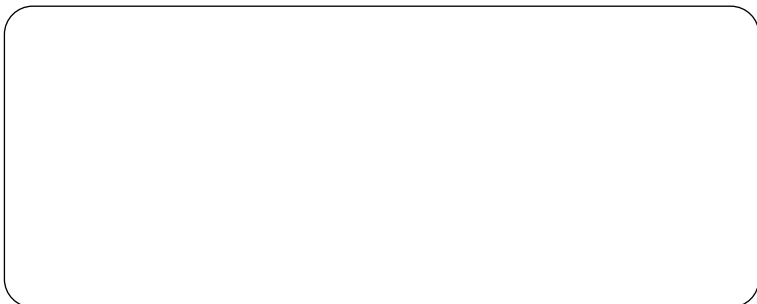
***The manufacturer declines all responsibility in the event of damage caused by improper, incorrect or illogical use of the appliance or by faulty installation.***

**Important:**

This appliance is designed and manufactured solely for the cooking of domestic (household) food and is not suitable for any non domestic application and therefore should not be used in a commercial environment.

The appliance guarantee will be void if the appliance is used within a non domestic environment i.e. a semi commercial, commercial or communal environment.

**PRODUCT LABEL**



## FIRST TIME USE THE OVEN

It is advised to follow these instructions:

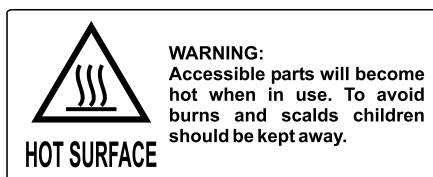
- Clean the interior of the oven with cloth soaked in water and detergent (neutral) then dry carefully.
- Fit the wire racks as described at chapter “Use and care”.
- Insert shelves and tray.
- Switch on the empty oven on max to eliminate grease tracks from the heating elements.

## IMPORTANT PRECAUTIONS AND RECOMMENDATIONS FOR USE OF ELECTRICAL APPLIANCES

Use of any electrical appliance implies the necessity to follow a series of fundamental rules. In particular:

- Never touch the appliance with wet hands or feet;
- do not operate the appliance barefooted;
- The appliance is not intended for use by young children or infirm persons with supervision
- Young children should be supervised to ensure they do not play with the appliance

The manufacturer cannot be held responsible for any damages caused by improper, incorrect or illogical use of the appliance.



## IMPORTANT PRECAUTIONS AND RECOMMENDATIONS

After having unpacked the appliance, check to ensure that it is not damaged.

In case of doubt, do not use it and consult your supplier or a professionally qualified technician.

Packing elements (i.e. plastic bags, polystyrene foam, nails, packing straps, etc.) should not be left around within easy reach of children, as these may cause serious injuries.

- Do not attempt to modify the technical characteristics of the appliance as this may become dangerous to use.
- Do not carry out cleaning or maintenance operations on the appliance without having previously disconnected it from the electric power supply.
- After use, ensure that the knobs are in off position.
- Do not allow children or other incapable people to use the appliance without supervision.
- During and after use of the cooker, certain parts will become very hot. Do not touch hot parts.
- Keep children away from the cooker when it is in use.
- Some appliances are supplied with a protective film on steel and aluminium parts. This film must be removed before using the appliance.
- Fire risk! Do not store flammable material in the oven, and in the accessory drawer.
- Make sure that electrical cables connecting other appliances in the proximity of the cooker cannot come into contact with the hob or become entrapped in the oven door.
- Do not line the oven walls with aluminium foil. Do not place baking trays or the drip tray on the base of the oven chamber.
- The manufacturer declines all liability for injury to persons or damage to property caused by incorrect or improper use of the appliance.
  
- **IMPORTANT NOTE: This appliance shall not be used as a space heater, especially if installed in marine craft or caravans.**

---

This cooker has been designed and constructed in accordance with the following codes and specifications:

AGA101 (AS 4551)	Approval Requirements for Domestic Gas cooking appliances
AS/NZS 3350-1	General Requirements for Domestic electrical appliances
AS/NZS 3350-2-6	Particular Requirements for Domestic electrical cooking appliances
AS/NZS 1044	Electromagnetic Compatibility Requirements.

---

# INSTALLATION

## CAUTION:

- This appliance must be installed in accordance with these installation instructions.
- This appliance shall only be serviced by authorized personnel.
- This appliance is to be installed only by an authorised person.
- Incorrect installation, for which the manufacturer accepts no responsibility, may cause personal injury or damage.
- Always disconnect the cooker from mains power supply before carrying out any maintenance operations or repairs.
- In the room where the cooker is installed, there must be enough air to allow the gas to burn correctly, according to the current local regulations.

## ELECTRICAL REQUIREMENTS

- The appliance must be connected to the mains checking that the voltage corresponds to the value given in the rating plate and that the electrical cable sections can withstand the load specified on the plate.
- The plug must be connected to an earthed socket in compliance with safety standards.
- If the appliance is supplied without a plug, fit a standard plug which is suitable for the power consumed by the appliance.
- The appliance must be connected directly to the mains placing a two pole switch with minimum opening between the contacts of 3 mm between the appliance and the mains.
- The power supply cable must not touch the hot parts and must be positioned so that it does not exceed 50°C above ambient.
- Once the appliance has been installed, the switch or socket must always be accessible.
- **If the supply cord is damaged it must be replaced by the manufacturer or its Service Agent or a similarly qualified person in order to avoid a hazard.**

**WARNING: This cooker must be connected to electrical supply using V105 insulated cable.**

**N.B. The connection of the appliance to earth is mandatory.**

If the installation requires alterations to the domestic electrical system call a qualified electrician. He should also check that the socket cable section is suitable for the power drawn by the appliance.

# CLEARANCES

Installation clearances and protection of combustible surfaces shall comply with the current local regulations eg. AG 601 (AS 5601) Gas Installations code. Installation shall comply with the dimension in Fig 1 bearing in mind that

## Overhead Clearances

In no case shall the clearances between the highest part of the cooker be less than 600mm or for an overhead exhaust fan 750mm. All other downward facing combustible surfaces less than 600mm above the cooker surface shall be protected for the full width of the cooking surface in accordance with the standards noted above. In no case shall the clearance be less than 450mm.

## Rear and Side Clearances

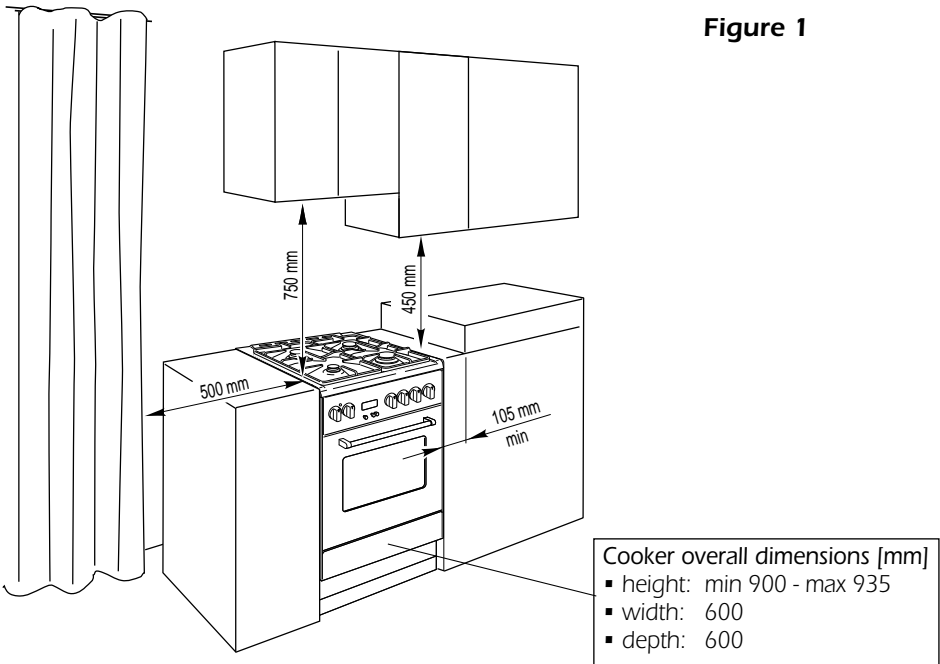
Where the dimensions from the periphery of the nearest burner to any vertical combustible surface is less than 200mm the surface shall be protected in accordance with the standards to a height of not less than 150mm above the cooking surface for the full width or depth of the cooking surface

Where the dimensions from the periphery of the nearest burner to any horizontal combustible surface is less than 200 mm, the horizontal surface shall be greater than 10 mm below the surface of the hob, or the horizontal surface requirement above.

## Protection of combustible surfaces.

The standards above specify that where required protection shall ensure that the surface temperature of the combustible surface does not exceed 65°C above room temperature.

If the cooker is located on a pedestal it is necessary to provide safety measures to prevent falling out.



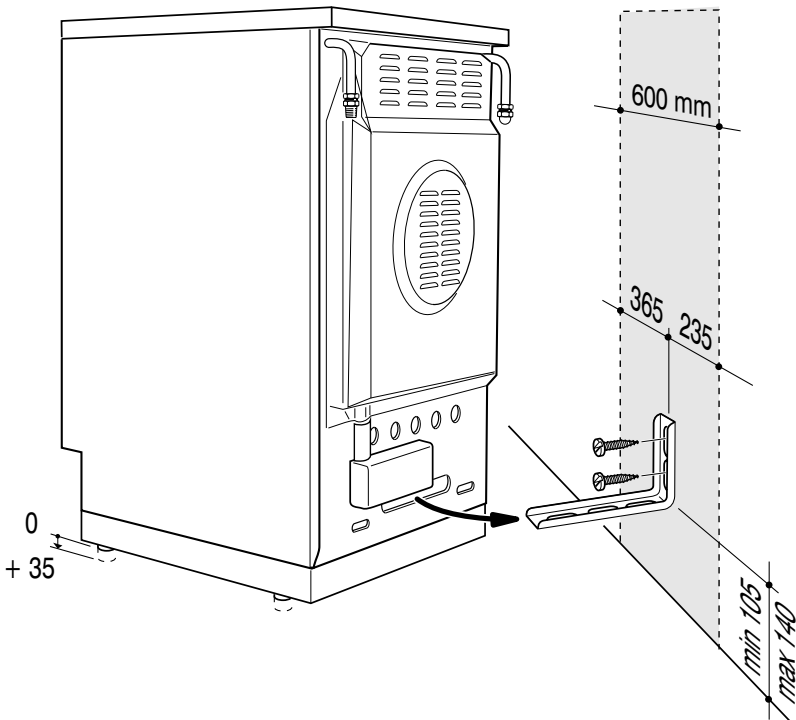
## ANTI-TILT BRACKET

**Warning:** This appliance must be restrained to prevent accidental tipping by fitting a bracket to the rear of the appliance and securely fixing it to the wall.

Fixing the anti-tilt bracket:

- After you have located where the cooker is to be positioned mark, on the wall, the place where the 2 screws of the anti-tilt bracket have to be fitted. Please follow the indications given in the drawing below.
- Make two holes of diameter 8mm diameter on the wall and insert the plastic plugs.
- Attach the anti-tilt bracket loosely by means of 2 screws.
- Move the cooker to the wall and adjust the height of the anti-tilt bracket so that it can engage in one slot of the cooker back.
- Attach the anti-tilt bracket tight.
- Push the cooker against the wall so that the anti-tilt bracket is fully inserted in one slot of the cooker back.

**Figure 2**

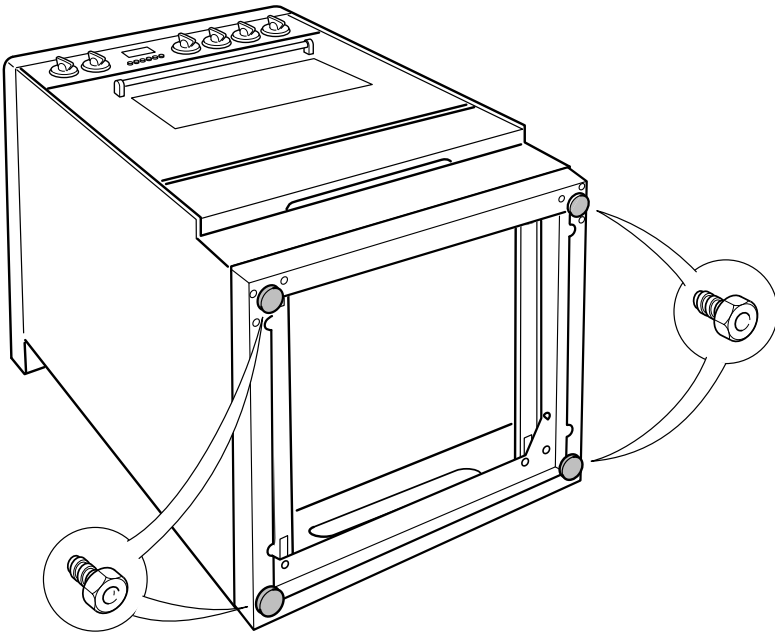


## LEVELLING

The cooker is equipped with 4 levelling feet which must be fitted to the base of the cooker in the following manner:

- Place the cooker on its back as shown in the figure 3.
- Screw the 4 leveling feet to the cooker.
- Stand the cooker and level it by screwing or unscrewing the feet with a spanner.

**Figure 3**

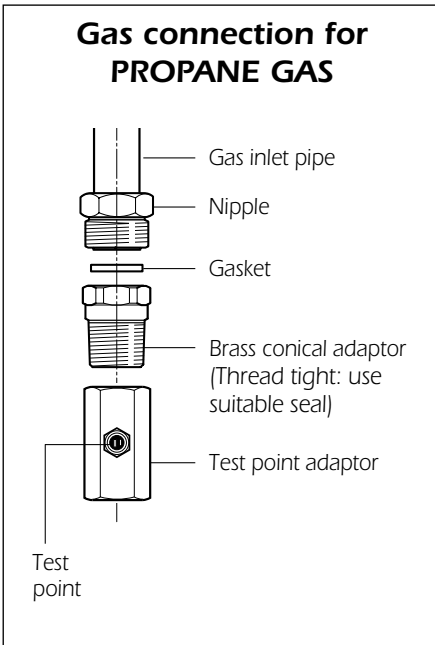




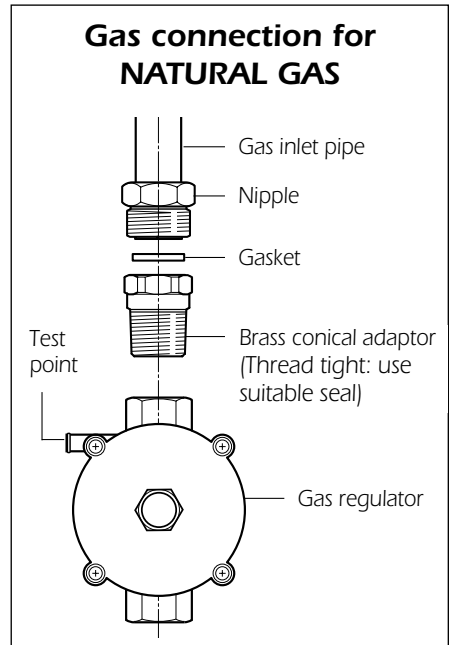
## GAS SUPPLY:

- The connection must be performed by an authorised person according to the relevant standards.
- Before connecting the appliance to the gas main, mount the brass conical adaptor onto the gas inlet pipe, upon which the gasket has been placed (figs. 4-5).  
Conical adaptor and gasket are supplied with the appliance (packed with conversion kit for use with Natural gas or Propane gas).
- This appliance is suitable for use with Natural Gas or Propane gas. (Check the “gas type” sticker attached to the appliance).
- For Natural Gas models the gas supply is connected to the pressure regulator which is supplied with the appliance (fig. 5). Adjust the regulator to obtain a test point pressure of 1 kPa with the two semi-rapid (SR) burners operating at maximum.
- For Propane gas models the gas supply is connected to the test point adaptor which is supplied with the appliance (fig. 4) and ensure that the supply pressure is regulated to 2.75 kPa.
- The connection must be made at the rear of appliance (left or right); the pipe does not cross the cooker.
- The inlet not used must be closed off with the cap and sealing gasket supplied.
- **IMPORTANT:** Use two spanners to tighten or loosen the connecting pipe (fig. 6)

**Figure 4**



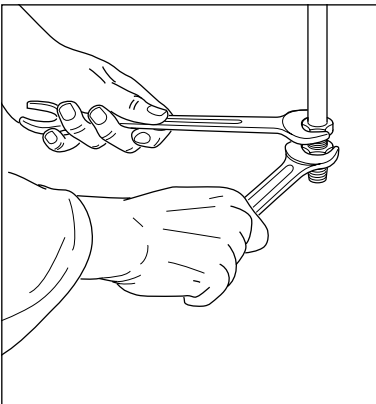
**Figure 5**



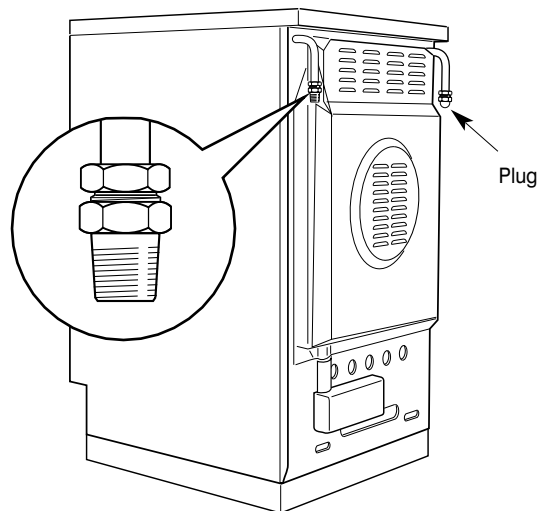
1. After connecting the gas supply, check the piping and connections for leaks using a soap and water solution. The presence of bubbles indicates a leak, tighten or replace connections as appropriate.  
**Warning:** Do not use any naked flame to check for leaks.
2. Adjust the test point pressure or supply pressure to the value which is appropriate for the gas type.
3. The operation of the appliance must be tested when installation is completed.
4. Turn on the appliance gas controls and light each burner individually and in combination. Check for a well defined blue flame without any yellow tipping. If any abnormality is evident then check that the burner cap is located properly and the injector nipple is aligned correctly.
5. Check the minimum burner setting by quickly rotating the gas control knob from the maximum to the minimum position, the flame must not go out. If adjustment is required carry out the "minimum burner setting adjustment" procedure described
6. If satisfactory performance cannot be obtained, the installer shall check the installation and notify the local gas supply authority for a gas supply problem, or if it is an appliance problem, our Customer Service Centre should be called to obtain the nearest authorized Delonghi Service Agent.

**WARNING,** This appliance **IS NOT SUITABLE** for installation with a hose assembly.

**Figure 6**



**Figure 7**



## CONVERSION PROCEDURE (to convert to LPG Propane) REPLACING THE INJECTORS

This appliance is suitable for use with Natural gas or Propane gas (check the “gas type” sticker attached to the appliance). A label stating the type of gas used after replacing the injectors must be attached at the rear of the appliance, in proximity of the gas inlet connection. The nominal gas consumption and injector size details are provided in table at page 13.

To replace the injectors proceed as follows:

- Remove pan supports and burners from the cooktop.
- Using a spanner, remove the injector J (fig. 8a, 8b) and replace it with one according to the gas type (see following tables - page 13).
- Affix to the rear of the appliance, in proximity of the gas inlet connections, the warning label (supplied with the conversion kit) stating that the cooker has been converted for use with Propane gas / Natural gas.

### IMPORTANT

- If the cooker is suitable for use with Natural gas and must be converted for use with Propane gas, before connecting to gas main remove the appliance gas regulator and replace with test point adaptor (see fig. 4-5)
- If the cooker is suitable for use with Propane gas and must be converted for use with Natural gas, before connecting to the gas main remove the appliance test point adaptor and replace with gas regulator (see figs. 4-5).

### NOTE:

Gas regulator and test point adaptor are supplied with the appliance (packed with conversion kit)

**The burners are designed so that regulation of primary air is not required.**

Figure 8a

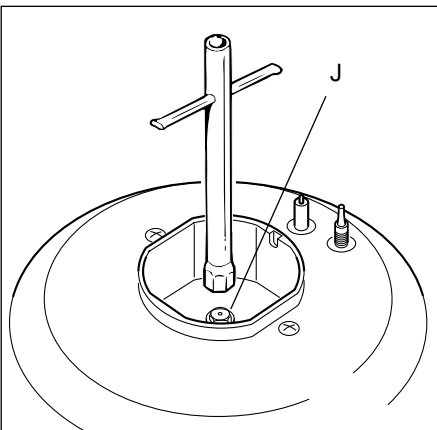
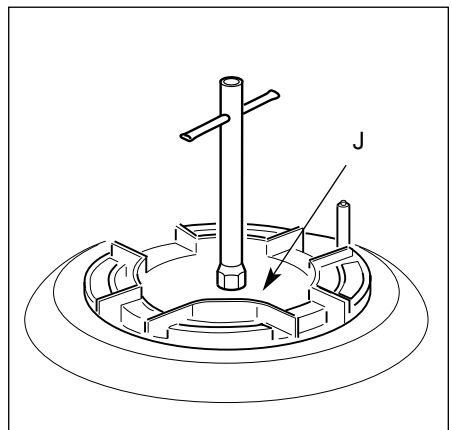


Figure 8b



## MINIMUM BURNER SETTING ADJUSTMENT

Check whether the flame spreads to all burner ports when the burner is lit with the gas tap set to the minimum position. If some ports do not light, increase the minimum gas rate setting.

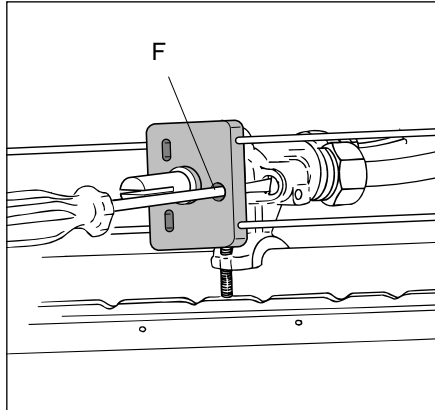
Check whether the burner remains lit even when the gas tap is turned quickly from the maximum to the minimum position. If the burner does not remain lit, increase the minimum gas rate setting.

The procedure for adjusting the minimum gas rate setting is described below.

- Turn on the burner
- Turn the tap to the MINIMUM position
- Take off the knob
- With a small flat screwdriver turn the screw "F" (fig. 9) to the correct regulation.

Normally for Propane gas, the regulation screw is tightened up.

**Figure 9**



## TABLE FOR THE CHOICE OF THE INJECTORS

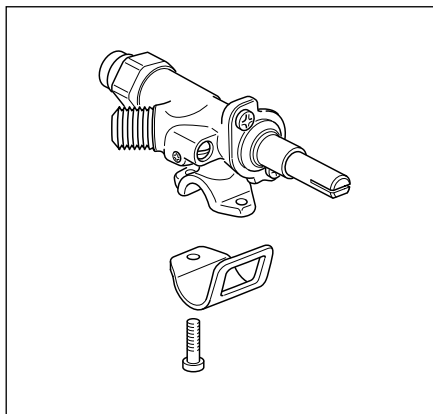
	Natural gas		Propane gas	
Test Point Pressure [kPa]	1.0		2.75	
BURNER	Injector Orifice Dia.	Gas Consumption	Injector Orifice Dia.	Gas Consumption
	[mm]	[MJ/h]	[mm]	[MJ/h]
Auxiliary (A)	0.85	3.60	0.53	3.60
Semi-rapid (SR)	1.12	6.30	0.70	6.30
Triple ring (TC)	1.65	13.30	0.95	11.90

## LUBRICATION OF THE GAS TAPS

If the gas tap becomes stiff, it is necessary to dismantle it carefully and clean it with petroleum spirit. Specialist high temperature resistant grease should be used to lubricate the tap before replacing.

The operations must be carried out by an authorised person/service agent.

**Figure 10**



# USE and CARE

## CAUTION:

- This appliance must be used only for the task it has explicitly been designed for, that is for domestic cooking of foodstuffs. Any other form of usage is to be considered as inappropriate and therefore dangerous.
- Do NOT place combustible materials or products on this appliance at any time.
- Do NOT spray aerosols in the vicinity of this appliance while it is in use.

## SLIDING SHELVES

- They facilitate the insertion and removal shelves during cooking. These shelves support all accessories and the dishwarmer safe.
- The shelves block when pulled to the maximum position.
- The sliding shelves can be removed easily by lifting slightly and detaching them from the oven walls.
- Removing the sliding shelves improves access to the oven ceiling for cleaning (after the grill heating element has been lowered).

Figure 11

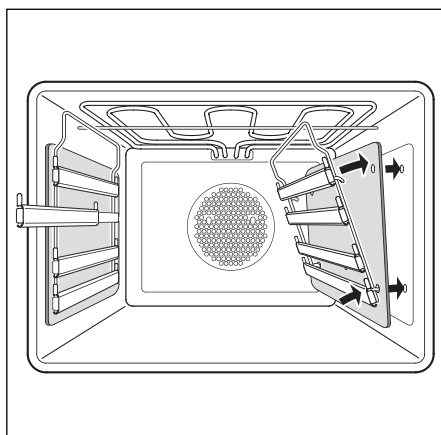
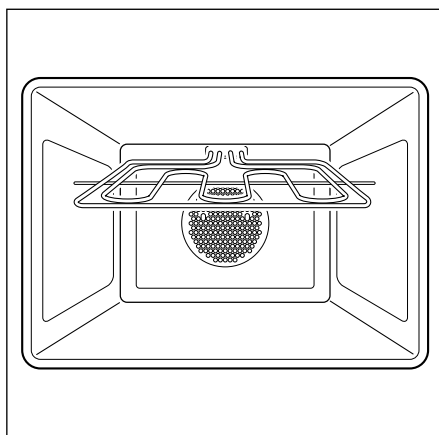





Figure 12



## USING THE OVEN FOR THE FIRST TIME

- Slide off the sliding shelves and the catalytic liners to the oven wall as in Fig. 11. The grill is secured to the rear wall of the oven on a hinge system that allows it to be lowered to allow proper access when cleaning the oven ceiling (fig. 12).
- Clean the inside of the oven with a cloth soaked in water and neutral detergent and dry thoroughly.
- Slide in the catalytic liners and sliding shelves on the oven wall as in Fig. 11.
- Slide in the grease filter on the back of the oven as in Fig. 13b.
- Position the shelf and tray on the sliding shelves.
- To eliminate traces of grease in manufacture it is necessary to pre-heat the oven at the maximum temperature.
  - For 60 minutes in the  position, for 30 minutes in the  position and for another 15 minutes in the  position.

## GREASE FILTER

- A special screen is provided at the back of the oven to catch grease particles, mainly when meat is being roasted (fig. 13b).
- When baking pastry etc. this filter should be removed.
- Always clean the filter after cooking as any solid residues on it might adversely affect the oven performance.

Figure 13a

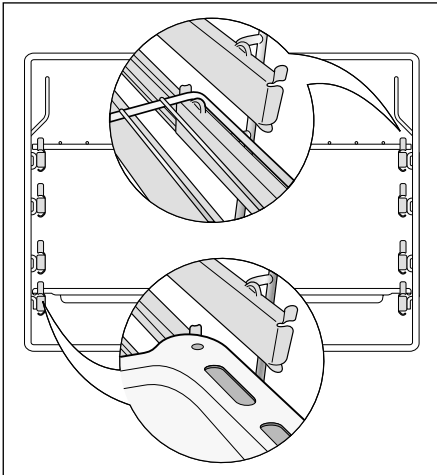
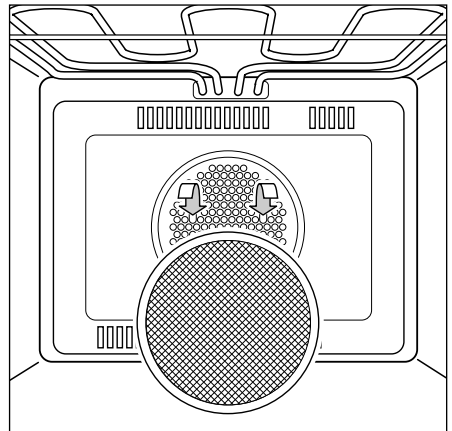
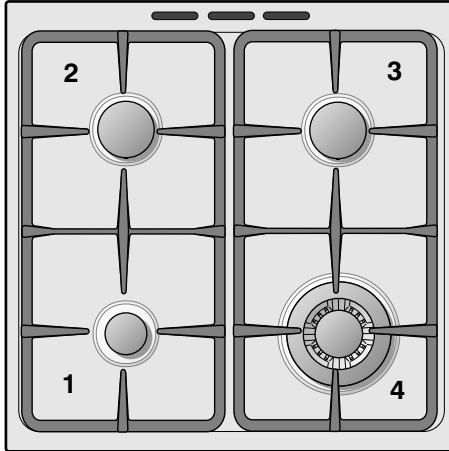


Figure 13b



# GAS HOB

Figure 14



## GAS BURNERS

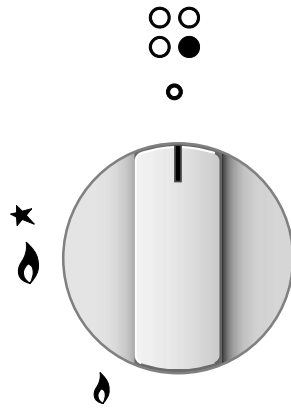
	Natural Gas MJ/h	Propane gas MJ/h
1. Auxiliary burner (A)	3.6	3.6
2. Semi-rapid burner (SR)	6.3	6.3
3. Semi-rapid burner (SR)	6.3	6.3
4. Triple ring burner (TC)	13.3	11.9






# LIGHTING GAS BURNERS

## FITTED WITH SAFETY VALVE DEVICE AND ELECTRONIC IGNITION

- Check that the electricity is switched on to allow spark ignition.
- Make sure that all controls are turned to zero.
- The gas flow to the burner is controlled by taps with safety cutout device. If the burner flame should go out, the safety cut-off valve will automatically stop the gas flow. The switch for the electric ignition is incorporated in the knobs.



**Figure 15**

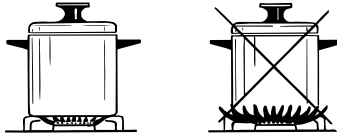
- You control the flow by turning the knob indicator to line up with the following symbols:
  - Symbol  : tap closed (burner off)
  - Symbol  : High (maximum)
  - Symbol  : Low (minimum)
- To ignite automatically, push the required knob down and turn it to maximum, keeping the knob down until the burner lights. When the flame is lit, wait for about ten second with the knob down (safety cut-off activation delay).
- You can control the temperature by the knob to “High” from “minimum”.
- To switch off, turn the knob clockwise until you hear the safety click.
- Note that, if you are using a burner at the minimum setting, you turn the knob clockwise past the maximum setting before reaching the off position.
- Whenever the lighting of the burners is difficult due to peculiar conditions of the gas features or supply, it is advised to repeat the ignition with the knob on “minimum” position.
- If when lighting any of the burners an abnormal flame appears, switch the burner off and relight using the minimum setting.
- If the flame is still not correct, turn the burner off and call our Customer Service center for your nearest Authorized Delonghi Service Agent.
- In the case of a mains failure light the burner with a match or lighted taper.

## CHOICE OF BURNER

The burner must be chosen according to the diameter of the pans and energy required.

For optimum efficiency use a wok or pan no smaller than 230mm diameter.

Figure 16



**do not use pans with concave or convex bases**

Burners	Pan diameter
Auxiliary	12 - 14 cm
Semi-rapid	16 - 24 cm
Triple ring	26 - 28 cm
Wok	max 36 cm

Saucepans with handles which are excessively heavy, in relationship to the weight of the pan, are safer as they are less likely to tip.

Pans which are positioned centrally on burners are more stable than those which are offset.

It is far safer to position the pan handles in such a way that they cannot be accidentally knocked.

When deep fat frying fill the pan only one third full of oil.

**DO NOT** cover the pan with a lid and **DO NOT** leave the pan unattended. In the unfortunate event of a fire, leave the pan where it is and turn off all controls.

Place a damp cloth or correct fitting lid over the pan to smother the flames.

**DO NOT** use water on the fire.

Leave the pan to cool for at least 30 minutes.

## CORRECT USE OF TRIPLE-RING BURNER

- The flat-bottomed pans are to be placed directly onto the pan-support.
- To use the WOK, you must place the wok stand in the CORRECT position as shown in Fig. 17-18.

Figure 17

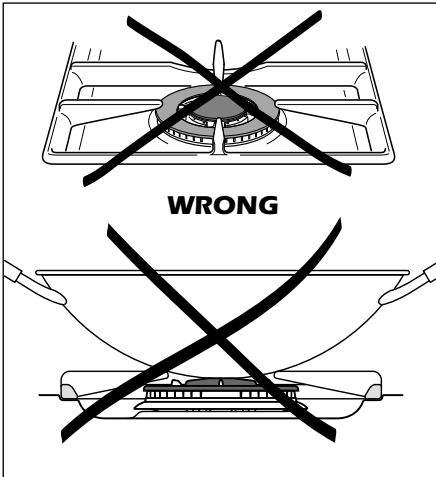
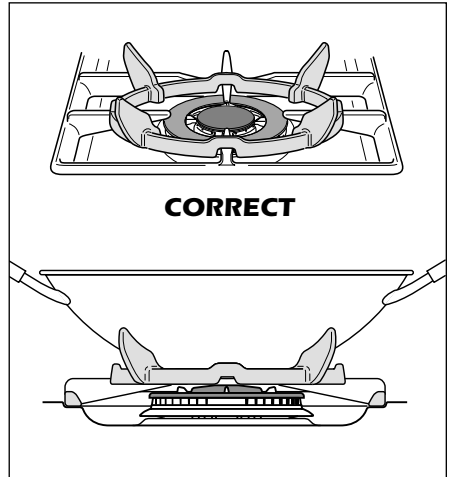
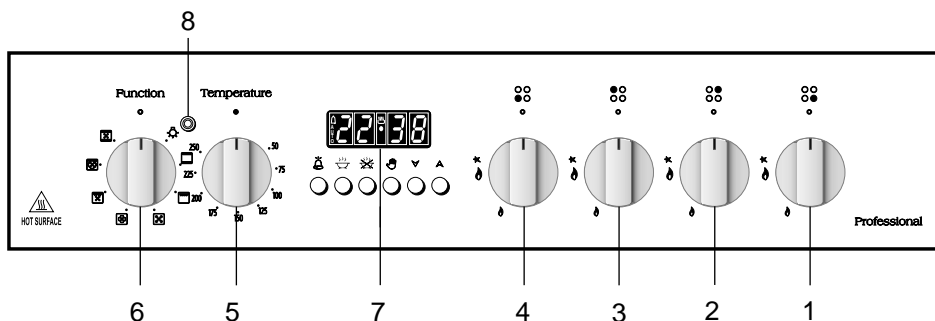


Figure 18



# MULTIFUNCTION OVEN

Figure 19



## CONTROL PANEL - Controls description

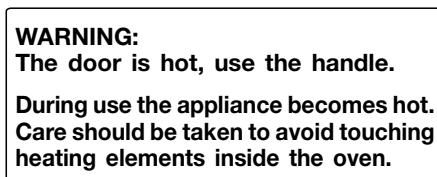
1. Front right burner control knob
2. Rear right burner control knob
3. Rear left burner control knob
4. Front left burner control knob
5. Multifunction oven thermostat knob
6. Multifunction oven switch knob
7. Electronic programmer



Note: The electric ignition of the hob burners is incorporated in the knobs.

## Pilot lamp:

8. Oven thermostat indicator light



## GENERAL FEATURES

With your new Multi-Function oven it is possible to cook a variety of food using the 7 different cooking functions.

These 7 functions are obtained using a combination of the 4 different heating elements plus a defrost function using the fan only.

**Please note:** This appliance incorporates a safety cooling fan which you will hear operating whenever the oven or grill are in use. This fan is to reduce the external temperature of the appliance and cool the internal components.

## OPERATING PRINCIPLES

Heating and cooking in the MULTI-FUNCTION oven are obtained in the following ways:

a. **by normal convection**

The heat is produced by the upper and lower heating elements.

b. **by forced convection**

The fan draws in air contained within the oven housing at the rear of the oven and forces it over the circular heating element. The hot air envelops the food in the oven giving faster and more even cooking before it is drawn back into the housing to repeat the cycle. It is possible to cook several dishes simultaneously due to the even distribution of heat within the oven.

c. **by forced semi-convection**

The heat produced by the top and bottom heating elements is distributed throughout the oven by the fan.

d. **by radiat heat**

The food is grilled by the infra red grill element.

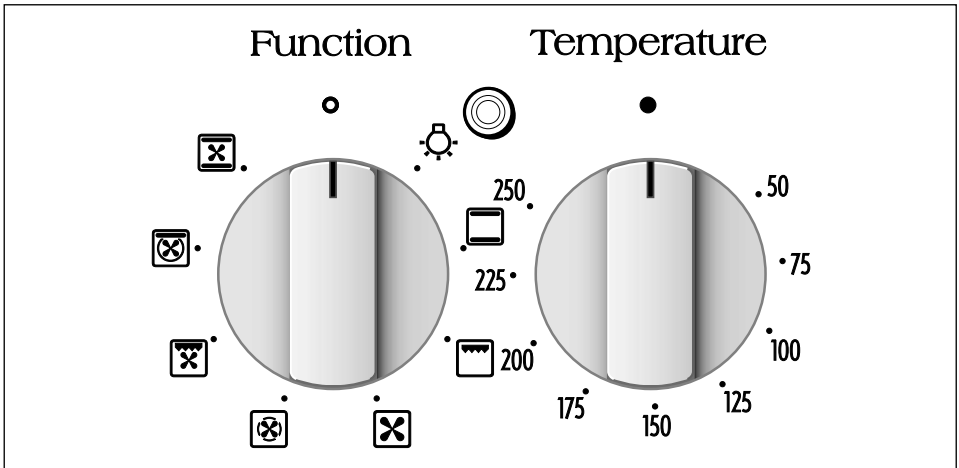
e. **by radiat heat and ventilation**

The food is grilled by the grill element is distributed throughout the oven

f. **by ventilation**

The food is defrosted by using the fan only function without heat.

Figure 20



### FUNCTION SELECTOR KNOB

Rotate the knob clockwise to set the oven for one of the following functions.

### THERMOSTAT KNOB

This only sets the cooking temperature and does not switch the oven on. Rotate clockwise until the required temperature is reached (from 50 to 250°C).



## OVEN LIGHT

By setting the knob to this position, only the oven light comes on (15 W). It remains on in all the cooking modes.



## TRADITIONAL BAKE

The upper and lower heating elements come on. The heat being dispersed by natural convection. The temperature range must be set between 50°C and 250°C using thermostat.

The oven must be preheated before cooking.

Ideal for:

Food that requires the same degree of cooking both inside and out, for example roasts, spare pork ribs, meringues etc.



## GRILLING

The infrared grill element at the top of the oven comes on. The heat is dispersed by radiation.

Use with the **oven door closed** and the thermostat knob to position **225°C** for max 15 minutes, then to position **175°C**.

For cooking hints, see the chapter "USE OF THE GRILL".

Ideal for:

Intense grilling, browning, cooking au gratin and toasting etc.

**It is recommended that you do not grill for longer than 30 minutes at any one time.**

**Attention: the oven door becomes very hot during operation.**

**Keep children away.**



## DEFROST

Only the oven fan comes on. Use with the thermostat knob set to "●" - other temperature have no effect. The food is thawed by ventilation without heating.

Ideal for:

Quick thawing of frozen foods; one kg requires approximately 1 hour.

Thawing times vary according to the quantity and type of food to be thawed.



## FAN FORCED

The circular element and fan come on. The heat is dispersed by forced convection and the temperature can be varied to between 50° and 250°C via the thermostat knob. The oven does not require preheating.

### Recommended for:

Food which has to be well-cooked outside and soft or rosy inside, for example lasagne, lamb, roast beef, whole fish etc.



## FAN GRILL

Both the grill and the fan come on. Most of the cooking is done by grilling and then the hot air circulated around the oven. The oven door should be kept **closed**.

The temperature can be set between 50°C and 175°C maximum.

The oven should be preheated for 5 minutes before cooking. For further cooking hints see "GRILLING AND AU GRATIN".

### Ideal for:

Quick sealing in of food juices for example such as hamburger, chicken pieces, chops.

**It is recommended that you do not grill for longer than 30 minutes at any one time.**

**Attention: the oven door becomes very hot during operation.**

**Keep children away.**



## MAINTAINING TEMPERATURE AFTER COOKING OR SLOWLY HEATING FOODS

The upper element, the circular element and the fan come on.

The heat is circulated by forced convection with greater intensity in the upper part.

The temperature can be set to between 50° and 150°C via the thermostat knob.

### Recommended for:

Keeping food warm after any type of cooking. Slow heating of cooked food.



## MULTI-FUNCTION

The upper and lower heating elements come on and the fan come on - the heat from the element being circulated by the fan.

The temperature range can be set to between 50° and 250°C using the thermostat.


### Idea for:

Large bulky quantities of food that require even cooking throughout for example large roasts, turkey, roast turkey, cakes etc.

## COOKING ADVICE

### STERILIZATION


Sterilization of foods to be preserved, in full and hermetically sealed jars, is done in the following way:

- Set the switch to position .
- Set the thermostat knob to position 185 °C and preheat the oven.
- Fill the dripping pan with hot water.
- Set the jars onto the dripping pan making sure they do not touch each other and the door and set the thermostat knob to position 135 °C.


When sterilization has begun, that is, when the contents of the jars start to bubble, turn off the oven and let cool.

Check your recycle book for full instructions.

### SIMULTANEOUS COOKING OF DIFFERENT FOODS

The oven set on position  can cook several different foods together. Foods as diverse as fish and cakes can be cooked together without the cross transference of flavours. This is because the fats and cooking smell that would normally be deposited on the different foods are oxidised and are not absorbed by the foods. The cooking temperature of the foods, however must be within 20°-25°C of each other. The food with the longest cooking time will be put into the oven first and the other foods are added as necessary according to their cooking times.

### GRILLING AND “AU GRATIN”

As the hot air completely covers the food to be cooked, grilling may be done with the food on rack in the oven. The knob should be switched to position .

The thermostat should be set to **175 °C** and the oven pre-heated.

The food should be placed on a rack in the oven for the required cooking time.

Adding a few dabs of butter before the end of the cooking time gives the golden “au gratin” effect.

**It is recommended that you do not grill for longer than 30 minutes at any one time.**

### ROASTING

To obtain classical roasting, it is necessary to remember:

- that it is advisable to maintain a temperature between 180° and 200 °C.
- that the cooking time depends on the quantity and the type of foods.

### USE OF THE GRILL

Preheat the oven for about 5 minutes with the door closed.

Introduce the food to be cooked, positioning the rack as close to the grill as possible.

The dripping pan should be placed under the rack to catch the cooking juices and fats.



## RECOMMENDED COOKING TEMPERATURE

Food	°C	°F	Gas Mark	Shelf Position*	Cooking Time (approx)
<b>CAKES</b>					
Victoria sandwich	190	375	5	2 or 3	20-25 mins
Small cakes/buns	190	375	5	1 and 2	15-20 mins
Maidera cake	180	350	4	2 or 3	20 mins
Fruit cake	170	325	3	3	1¾ hours
Rich fruit cake	150	300	2	3 or 4	2½ hours
Scones	225	425	8-9	2	8-10 mins
<b>PASTRY</b>					
Puff	225	425	8-9	2	10-20 mins
Short crust	200	400	6	2	20-30 mins
Plate tarts	200-210	400-410	6	1 or 2	30-35 mins
Quiches and flans	200-210	400-410	6	1 or 2	40-45 mins
<b>YEAST</b>					
Bread loaf	225	425	7-8	2	35-55 mins
Bread rolls	220	425	7	1 or 2	15-20 mins
Pizza dough	230	450	8	2	20 mins
<b>ROAST MEAT</b>					
Beef – Medium	190	375	5	2 or 3	20 mins/lb + 20 mins
Lamb	190	375	5	2 or 3	25-30 mins/b + 25 mins
Pork	190-200	375-400	5-7	2 or 3	30 mins/lb + 30 mins
Veal	190	375	5	2 or 3	30 mins/b + 30 mins
Chicken	190	375	5	2 or 3	30 mins/b + 30 mins
Turkey up to 10lb	180	350	4	2 or 3	18-20 mins/b + 20 mins
Stews/casseroles	150-170	300-325	2-3	2 or 3	1½-2 hours

**N.B.** For fan ovens reduce the temperature by 10-20°C. For any dish taking one hour or over to cook, reduce the cooking time by 10 minutes per hour.

\* Shelf positions have been counted from the top of the oven to the base. A fan oven creates more even temperature throughout, therefore the shelf positions are not as critical.

# ELECTRONIC PROGRAMMER

The electronic programmer is a device which groups together the following functions:

- 24 hours clock with illuminated display
- Timer (up to 23 hours and 59 minutes)
- Program for automatic oven cooking
- Program for semi-automatic oven cooking

## Description of the buttons:

- 🕒 Timer
- 👤 Cooking time
- 🚫 End of cooking time
- 👉 Manual position and cancellation of the inserted cooking program
- ⬆️ Plus function to increase the number shown on the display
- ⬇️ Minus function to decrease the number shown on the display or to change the buzzer frequency

## Description of the illuminated symbols:

**AUTO** -flashing - Programmer in automatic position but not programmed

**AUTO** - always illuminated - Programmer in automatic position with program inserted.

👤 Automatic cooking taking place

🕒 Timer in operation

👤 and **AUTO** - flashing - Program error.

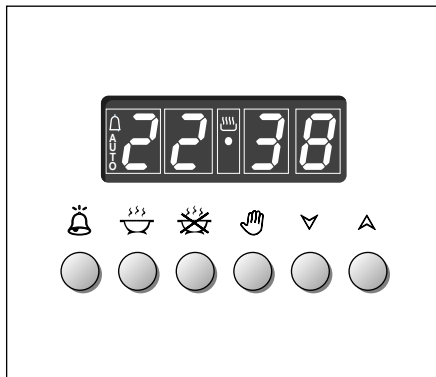
(The time of day lies between the calculated cooking start and end time).

## Note:



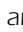
Select a function by the respective button and, in 5 seconds, set the required time with the ⬆️ / ⬇️ buttons ("one-hand" operation).

A power cut makes the clock go to zero and cancels the set programs.



Figure 21




## ELECTRONIC CLOCK (fig. 22)

The illuminated figures on the clock represent hours and minutes on 24 hour clock. When first connected, or after a power failure, three zeros will flash on the display. To set the time press the  button and then the  or . Please note that changing the hour button deletes any cooking program.

## NORMAL COOKING WITHOUT THE USE OF THE PROGRAMMER

To manually use the oven without the aid of the programmer, it is necessary to cancel the flashing AUTO by pushing the button  (AUTO will be switched off and the symbol  will come on - Fig. 23).

**Attention:** If the **AUTO** symbol is steady a cooking program has already been programmed, by pushing the button  you have cancelled of the program and the switched to manual.

If the oven is switch on, you must switch off manually.

Figure 22

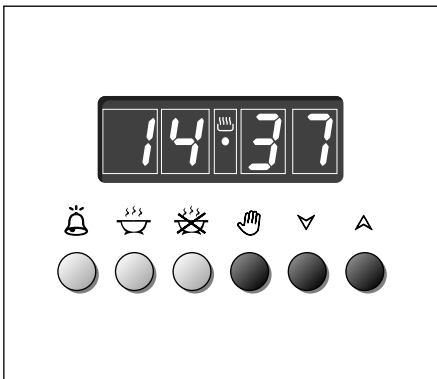
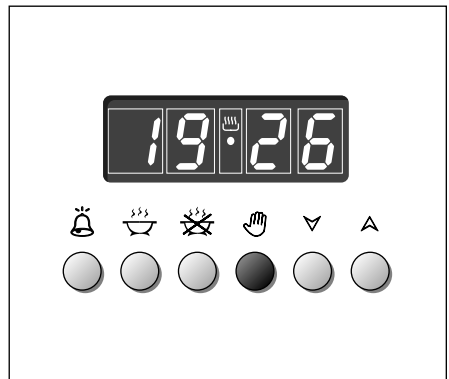








Figure 23




## ELECTRONIC TIMER

The timer program consists only of a buzzer which may be set for a maximum period of 23 hours and 59 minutes. If **AUTO** is flashing on the panel, push the  button. To set the time, push the  button and the  or  until you obtain the desired time in the panel (fig. 24).

Having finished the setting, the clock hour will appear on the panel and the  symbol will be lighted.

The countdown will start immediately and may be seen at any moment on the panel by simply pressing the button .

At the end of the time, the  symbol will be switched off and an intermittent buzzer will go off; this can be stopped by pressing any of the buttons.

## SETTING THE FREQUENCY OF THE AUDIBLE SIGNAL


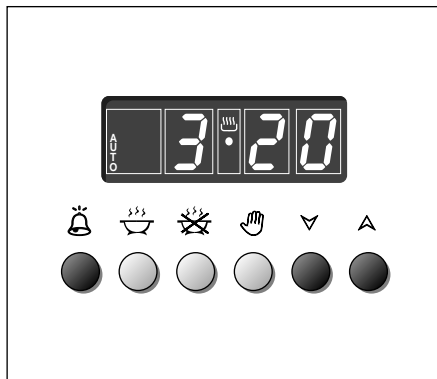
The selection from 3 possibilities of sound can be made by pressing the  button.

Figure 24



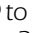







# AUTOMATIC OVEN COOKING



To cook food automatically in the oven, it is necessary to:

1. Set the length of the cooking time
2. Set the end of the cooking time
3. Set the temperature and the oven cooking program.


These operations are performed as follows:

1. Set the length of the cooking time by pushing the  button and the  button to advance, or  to go back if you have passed the desired time (fig. 25).  
The **AUTO** and the  symbol will be on
2. Set the end of the cooking time by pressing the  button (the cooking time already added to the clock time will appear), and the  button (fig. 26); if you pass the desired time you may get back by pushing the  button.  
After this setting, the  symbol will go off. If after this setting, the **AUTO** flashes on the panel and a buzzer sounds, it means there was an error in the programming. In this case, modify the end of cooking time or the cooking time itself by following again the mentioned instructions above.
3. Set the temperature and the cooking program by using the switch and thermostat knobs of the oven (see specific chapters).

The oven is now set to turn on and off at the programmed times.

During cooking, the  symbol remains on. By pushing the  button you can see the time that remains until the end of cooking.

The cooking program may be cancelled in any time by pushing .

At the end of the cooking time the oven will turn off automatically, the  symbol will turn off, **AUTO** will flash and a buzzer will sound, which can be turned off by pushing any of the buttons.

Turn the temperature and thermostat knobs to zero and set the programmer to "manual" by pressing the .

**Attention:** A power failure makes the clock go to zero and cancels the set programs. After a power failure, three zeros will flash on the panel.

Figure 25

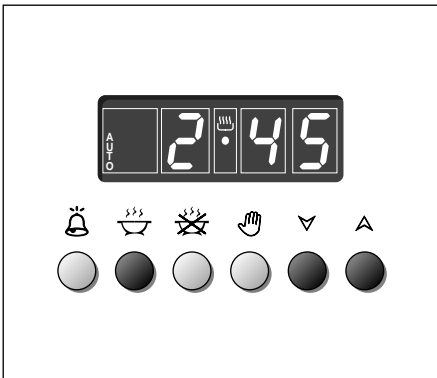
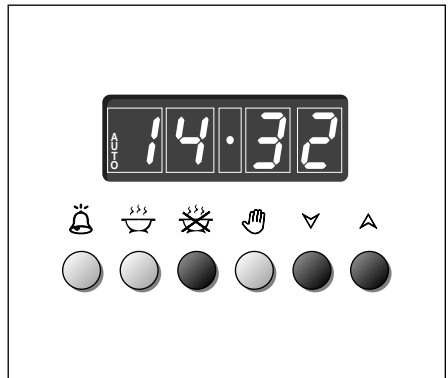





Figure 26


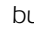
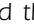



## SEMI - AUTOMATIC COOKING

This function is only used to set the END of the cooking time of the oven. There are two ways of setting this function.

1. Set the length of the cooking time by pushing the  button and the  button to advance, or  to go backwards (Fig. 27). This sets the desired "stop" time.



**or**


2. Set the end of the cooking time by pushing the  button and the  button to advance, or  to go backwards if you have passed the desired time (Fig. 28).


**AUTO** and the  symbol will be on.

Then set the temperature and the cooking program using the oven switch and thermostat knob (see relevant sections for details).

The oven is switched on and it will be switched off automatically at the end of the desired time.

During cooking, the  symbol remains on and by pressing the button  you can see the time that remains till the end of the cooking.

The cooking time can be cancelled at any time by pushing the  button.

At the end of the cooking, the  symbol will turn off, the **AUTO** will flash and a buzzer will sound. The buzzer can be cancelled by pressing any of the buttons.

Turn the temperature and thermostat knobs to zero and set the programmer to "manual" by pressing the  button.

Figure 27

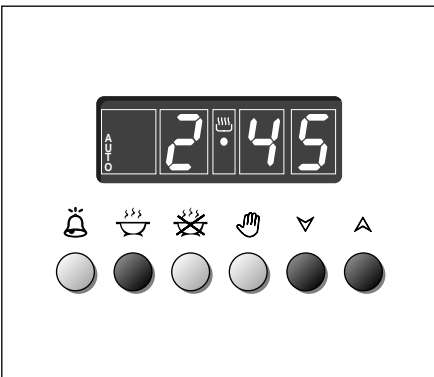
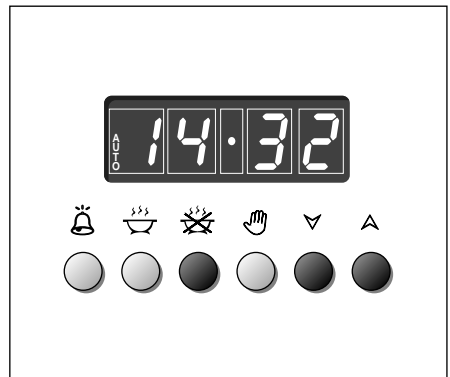


Figure 28



# Cleaning and Maintenance

Maintenance Period	Description
Daily	<ul style="list-style-type: none"><li>▪ Clean gas cooktop as per instructions below</li></ul>
Monthly	<ul style="list-style-type: none"><li>▪ Remove burner caps, burner rings &amp; base and clean using non abrasive detergent &amp; rinse in cold water &amp; dry thoroughly before replacing back on hob</li><li>▪ Clean ignitor tip &amp; thermocouple using damp soapy cloth and dry thoroughly</li></ul>
3 - 4 Yearly	<ul style="list-style-type: none"><li>▪ Contact your local authorized gas Service Agent to perform a thorough check on all gas components on the gas cooker</li></ul>

## GENERAL ADVICE

- **Before you begin cleaning, you must ensure that the appliance is switched off.**
- It is advisable to clean when the appliance is cold and especially when cleaning the enamelled parts.
- Avoid leaving alkaline or acidic substances (lemon juice, vinegar, etc.) on the surfaces.
- Avoid using cleaning products with a chlorine or acidic base.
- **Do not use a steam cleaner because the moisture can get into the appliance thus make it unsafe.**

## ENAMELLED PARTS

All of the enamelled parts must be washed only with a sponge and soapy water or with non-abrasive products.

Dry, preferably, with chamois.

## STAINLESS STEEL SURFACES

The stainless steel front panels on this cooker (facia, oven door, drawer) are protected by a finger-print proof lacquer. To avoid damaging this lacquer, do not clean the stainless steel with abrasive cleaners or abrasive cloths or scouring pads.

**ONLY SOAP/WARM WATER MUST BE USED TO CLEAN THE STAINLESS STEEL SURFACES.**

## BURNERS

They can be removed and washed only with soapy water. Detergents can be used but must not be abrasive or corrosive.

Do not use abrasive sponges or pads.

Do not put in dishwasher.

After each cleaning, make sure that the burner-caps, as well as the burners, have been well wiped off and **CORRECTLY POSITIONED**.

It is essential to check that the burner flame distributor **F** and the cap **C** has been correctly positioned (see fig. 29) - failure to do so can cause serious problems.

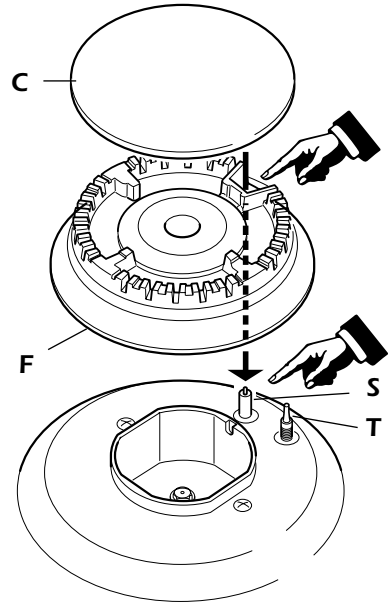
Check that the electrode **S** (fig. 29) is always clean to ensure trouble-free sparking.

Check that the probe **T** (fig. 29) next to each burner is always clean to ensure correct operation of the safety valves. Both the probe and ignition plug must be very carefully cleaned.

### Note:

**The electrode S must be very carefully cleaned. To avoid damage to the electric ignition do not use it when the burners are not in place.**

Figure 29



## TRIPLE RING BURNER

The triple ring burner must be correctly positioned (see fig. 30); the burner rib must be located in position as shown by the arrow.

The burner correctly positioned must not rotate (fig. 31).

Then position the cap **A** and the ring **B** (fig. 31).

Figure 30

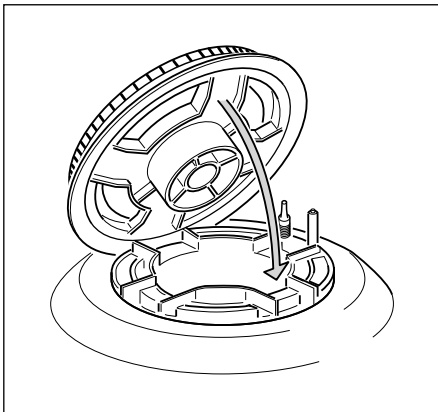
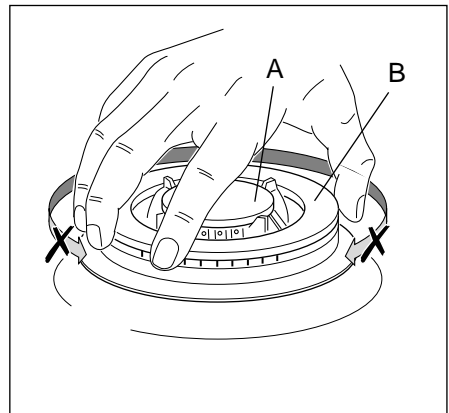


Figure 31





## OVEN

- The oven should always be cleaned after use when it has cooled down. The cavity should be cleaned using a mild detergent solution and warm water. Suitable proprietary chemical cleaners may be used after first consulting with the manufacturers recommendations and testing a small sample of the oven cavity. Abrasive cleaning agents or scouring pads/cloths should not be used on the cavity surface.
- **NOTE: The manufacturers of this appliance will accept no responsibility for damage caused by chemical or abrasive cleaning.**

### **Advice for use and maintenance of catalytic panels**

The catalytic panels are covered with special microporous enamel which absorbs and does away with oil and fat splashes during normal baking over 200°C. If, after cooking very fatty foods, the panels remain dirty, operate the oven “idling” on max temperature for about 30 minutes. These panels do not require to be cleaned, however it is advised to periodically remove them from the oven (at least the side panels) and to wash them with tepid soapy water and then wipe off with a soft cloth.

**DO NOT CLEAN OR WASH THEM WITH ABRASIVE PRODUCTS OR WITH PRODUCTS CONTAINING ACIDS OR ALKALIS.**

The side panels are reversible and when the catalytic microporous enamel degrades, they can be turned to the other side.

## GRILL HEATING ELEMENT

- The heating element is self-cleaning and does not require maintenance. The grill is secured to the rear wall of the oven on a hinge system that allows it to be lowered to allow proper access when cleaning the oven ceiling (fig. 12 at page 14).

## GREASE FILTER

- Clean the filter after any cooking! The grease filter can be removed for cleaning and should be washed regularly in hot soapy water (fig. 13b).
- Always dry the filter properly before fitting it back into the oven.

## GAS TAPS

If the gas taps are not working properly, call our Customer Service Centre to obtain the nearest Authorized Delonghi Service Agent.

## REPLACING THE OVEN LIGHT

**Before any maintenance is started involving electrical parts of the appliance, it must be disconnected from the power supply.**

The bulb must be a type resistant to high temperatures (300° C).

## OVEN DOOR AND DRAWER

The internal glass of the oven door can be easily removed for cleaning by unscrewing the two lateral fixing screws (fig. 32).

The drawer (fig. 33) comes out like a normal drawer.

**Attention: Do not store flammable material in the oven, or the accessory drawer.**

Figure 32

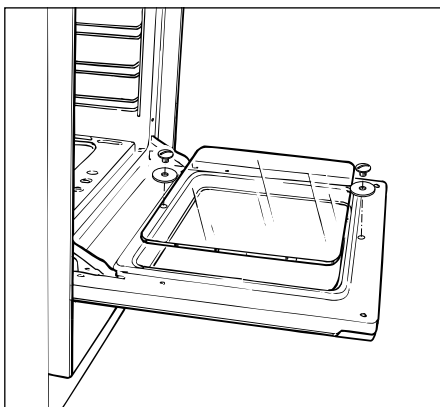
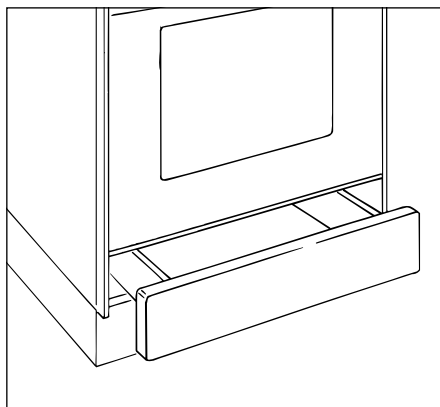


Figure 33



## REMOVING THE OVEN DOOR - Type "A"

The oven door can easily be removed as follows:

- Open the door to the full extent (fig. 35).
- Attach the retaining rings to the hooks on the left and right hinges (fig. 36).
- Hold the door as shown in fig. 34.
- Gently close the door and withdraw the lower hinge pins from their location (fig. 37).
- Withdraw the upper hinge pins from their location (fig. 38).
- Rest the door on a soft surface.
- To replace the door, repeat the above steps in reverse order.

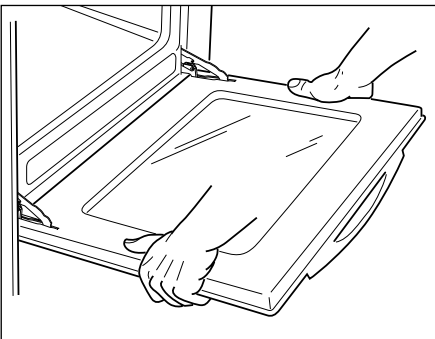


Figure 34

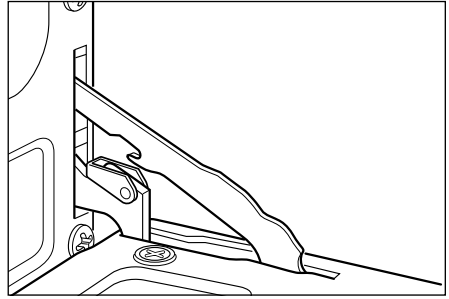


Figure 35

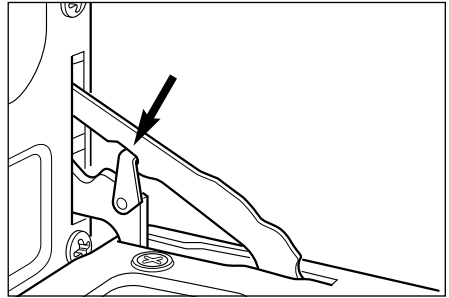


Figure 36

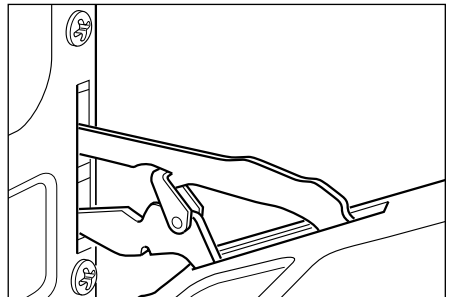


Figure 37

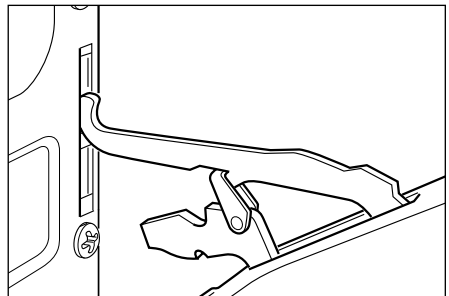


Figure 38

## REMOVING THE OVEN DOOR - Type "B"

To facilitate oven cleaning, it is possible to remove the door.

Please follow the instructions carefully:

- Open the door completely.
- Push down the lever "L" (fig. 39) and, keeping it in this position, slowly close the door in order to block the hinge.
- Grip the door (as indicated in fig. 40) and, while closing it, release the two hinges as shown in fig. 41.

Figure 39

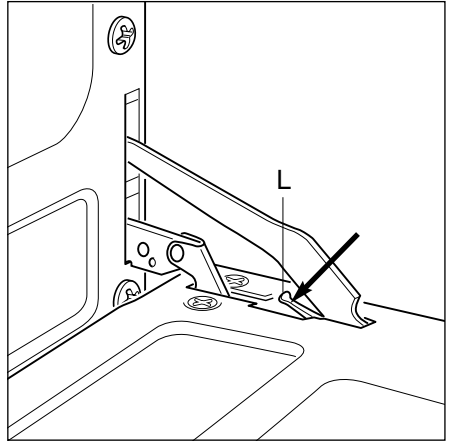
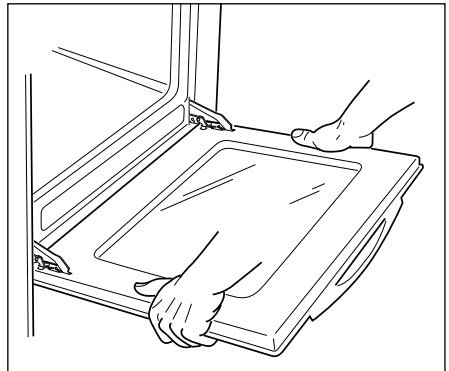


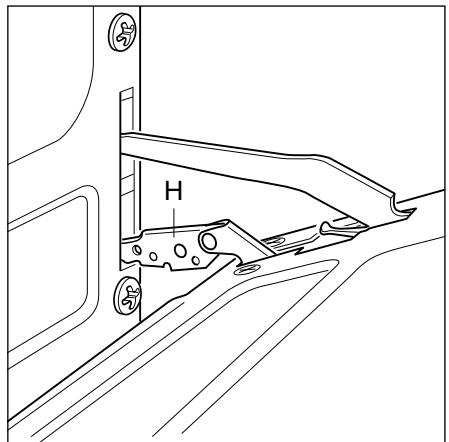
Figure 40



## DOOR ASSEMBLY

- Grip the door with your hands placed near the hinges and raise the levers "H" with your forefingers (fig. 41).
- Insert the hinges in their position until levers "H" are hooked.
- Open the door completely to obtain the release of levers "L".

Figure 41



## Service and Maintenance

If the ignition spark fails to ignite or does not light the gas, check the following items before calling our Customer Service Centre to obtain the nearest Authorised Service Agent:

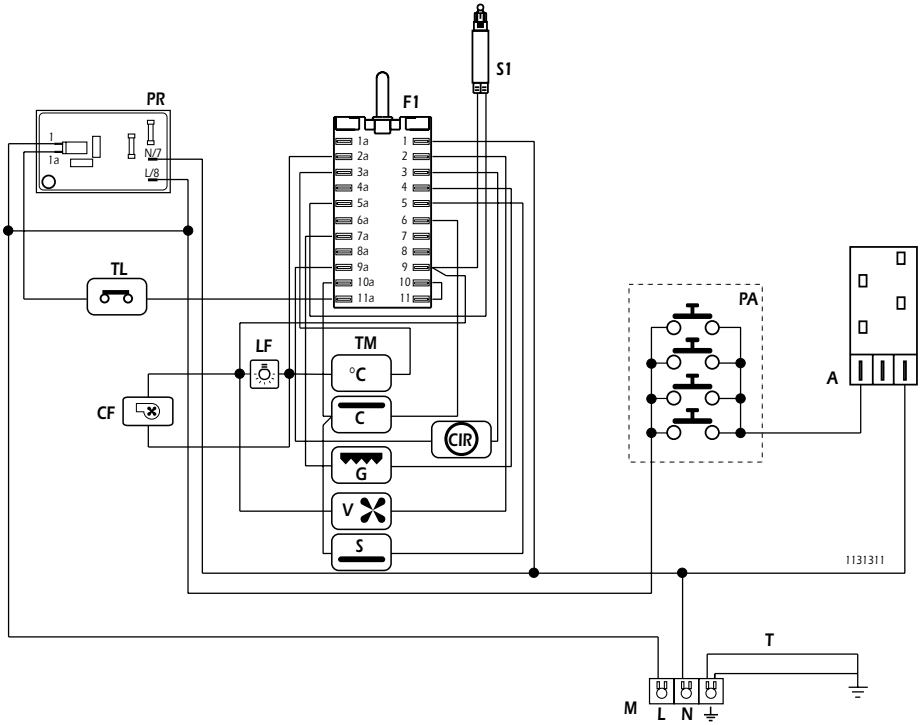
- Burner is reassembled and located correctly.
- Spark electrode and white ceramic are clean and dry.
- 240 VAC power supply is connected.

Contact the local gas utility or our Customer Service Centre to obtain the nearest Authorized Service Agent.

- You can smell gas when all burners are turned on.
- The burners do not remain alight at the minimum marked setting.
- The burner flame is yellow or emits an unusual odour.

Note that a bi-annual inspection of the appliance by an authorized service agent or your local gas utility will ensure many years of trouble free operation of your appliance.

# WIRING DIAGRAM



## ELECTRIC DIAGRAM KEY

- F1 Oven switch
- TM Oven thermostat
- PR Electronic programmer
- S1 Thermostat pilot lamp
- LF Oven lamp
- C Top element
- G Grill element
- V Fan
- S Bottom element
- TL Thermal overload
- CIR Circular element
- PA Ignition switches
- A Ignition coil
- M Terminal block
- T Earth connection
- CF Cooling fan

Descriptions and illustrations in this booklet are given as simply indicative. The manufacturer reserves the right, considering the characteristics of the models described here, at any time and without notice, to make eventual necessary modifications for their construction or for commercial needs.



*Living innovation*

cod. 1102921 - B1