

**OWNER'S MANUAL  
2 PLATE CERAN HOB  
STAINLESS STEEL  
MODEL: DHD 318**

**CONTENT**

- 2 Introduction.
- 2 Unpacking.
- 2 Know your product.
- 3 Installation.
- 3 Electrical installation.
- 4 Safety advice.
- 4 Technical specifications.
- 5 Ceran smooth top hob.
- 6 Cleaning.
- 6 Owner's responsibility.
- 6 Problem check.
- 7 Care guide for stainless steel.
- 8 Service Centres.
- 8 Warranty.

**For future reference, record the listed information in the space below. The Serial number may be found on the bottom of the hob.**

**SERIAL No.....**

**DATE OF PURCHASE.....**

**PURCHASED FROM.....**

Part Number 067 800



You can rely on Defy. To simplify

**DOMINO RANGE**



The Manufacturer strives for continuous improvements. For this reason, the text and illustrations in this book are subject to change without notice.

Please register your product at [www.defy.co.za](http://www.defy.co.za)

# Introduction

Congratulations on the purchase of this quality appliance.

We trust that you will enjoy many years of trouble free use. Please read these instructions carefully before using the hob. This book will provide you with information on how to operate and care for your appliance in order that you gain the maximum benefit from it.

# Unpacking

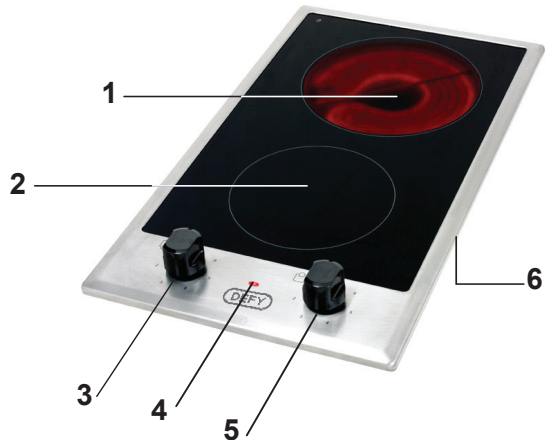
- Remove all packaging material and dispose of it in a responsible manner.
- Plastic bags should be cut up to prevent children playing with them and accidentally suffocating.
- If the appliance is damaged in any way, do not use it. Report the damage to your dealer, who will take the necessary corrective action.

**To avoid accidental injury, extreme care should be taken when handling the hob prior to installation as the exposed edges are very sharp**



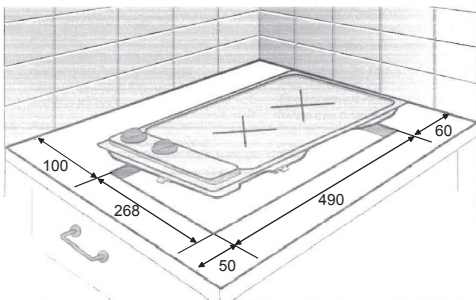
# Know your product

- 1 Rear hot plate
- 2 Front hot plate
- 3 Front plate control
- 4 Indicator light
- 5 Rear plate control
- 6 Base cover underneath

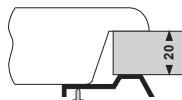


## Installation

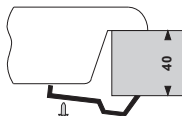
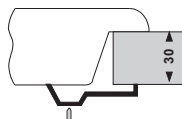
- The hob should be installed in a ventilated cupboard fitted with a sturdy worktop.
- Surfaces, adhesives and laminates must heat resistant and be able to withstand 100°C.
- Cut the aperture so that a safe distance is left between the hob, kitchen walls and furniture. (see sketch) Allow an unrestricted air space of at least 75mm underneath the underside of the hob for ventilation and cooling purposes.
- The hob must be secured using the fixing brackets provided. (see sketch)
- To avoid liquid spills penetrating between the hob and the worktop, please apply the putty supplied to the contour of the housing before installation ensuring that the putty does not overlap.



Aperture (268 mm x 490 mm)

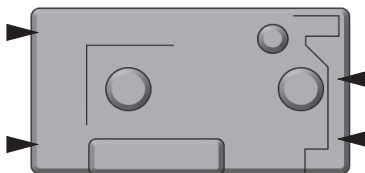


**Fixing method  
for countertops  
between  
20mm and 40 mm  
thick.**



**For 40mm thick  
countertops, use the  
second set of fixing  
holes.**

**Bottom view (clamp location holes)**



## Electrical connection

**This appliance must be earthed and the manufacturer and the seller do not accept responsibility for any damage due to incorrect installation or electrical connection.**

**The mains supply must correspond with the data specified on the rating plate located at the rear housing of the hob.**

- The hob is supplied with a mains lead and a fitted 15A earthed plug.
- Insert the plug into an earthed 15 Amp wall socket which is easily accessible but not located directly above the hob.
- The mains lead must not be clamped, bent or trapped. Nor should it come into contact with hot parts of the hob. If the mains lead is damaged it should be replaced by a qualified electrician.
- The appliance is not intended to be operated by means of an external timer or separate remote-control system.

## Safety advice

This appliance is not intended for use by persons (including children) with reduced physical, sensory or mental capabilities, or lack of experience and knowledge, unless they have been given supervision or instruction concerning use of the appliance by a person responsible for their safety. Children should be supervised to ensure that they do not play with the appliance.

- Always keep children and infirm persons away from the product when it is in use.
- Only use the hob for preparing food.
- Be careful when using alcoholic drinks in your food as these evaporate at high temperatures and could ignite if they came into contact with a hot surface.
- Always switch the product off after use.
- Use a deep pan, large enough to cover the appropriate burner
- Always dry food thoroughly before placing it in hot oil or fat. Frozen food in particular will spit and splatter if added too quickly.
- Never fill the pan more than one third full of fat or oil.
- Never heat fat or fry with a lid on the pan.
- Do not fry too much food at once. This lowers the temperature of the oil or fat and results in fatty foods.
- Do not leave hot fat or oil unattended. If overheating occurs, these could catch fire.

### In the event of a pan fire

- Switch off the electrical supply
- Smother the flames with a blanket or damp cloth.
- Burns and injuries are usually caused by picking up the burning pan and rushing outside with it.
- **Do NOT use water to extinguish an oil or fat fire.**

## Technical specifications

Voltage / frequency	220-240 V ~ 50 Hz
Cable type / section	H05RR-FG 3 x 1.5 mm <sup>2</sup>
Cable length	Max. 2 m
Total power consumption	2.9 kW
External dimensions. H x W x D	75mm x 288mm x 510mm
Aperture W x D	268mm x 490 mm
Front hot plate	140mm / 1200 W
Rear hot plate	180mm / 1700 W

# Ceran® smooth top

**WARNING** In the unlikely event of the Ceran sustaining accidental damage or cracks, switch off the appliance at the mains to avoid electric shock and have the panel replaced before further use.

## Plate controls

- Select the heat level by turning the relevant plate control knob to the required setting. The higher the number selected, the hotter the temperature of the plate will be.
- The plate indicator light will glow when the plate is switched on.

## Caring for the Ceran hob

- Ceran is a tough, durable material, which provides a beautiful, functional and long lasting cooking surface. To keep it looking good, it needs to be treated with care and cleaned regularly.
- Spillage should be wiped off as soon as possible with a damp cloth, preferably while the hob is still warm.
- Clean the hob with a nylon pad and ‘Smooth top cleaner’, available from all Defy Service Centres.
- **DO NOT USE A STEAM CLEANER.**
- If necessary stubborn spills may be removed using a blade scraper.
- Do not use metal scourers or coarse abrasive powders as these could scratch the Ceran.
- Regular cleaning after use will prevent dirt build up and ensure that the hob remains bright and attractive.
- Wipe the hob surround with a damp hot soapy cloth and dry.

## Recommendations

- Use only pots with a solid level base. An uneven base will prolong cooking time and waste energy.
- Use pots with a base diameter slightly larger than that of the thermal area. This will ensure even heat distribution and prevent spillage from dripping onto and staining the hot zone.
- Always cover the pot with a lid. This will conserve energy and minimize spillage.
- Save energy by switching the plate off 5 to 10 minutes before the end of a lengthy cooking period. The Ceran hob will retain sufficient residual heat to complete the cooking process.
- A pot with rough edges could scratch the Ceran if it were dragged across the surface of the hob.
- Any spillage of sugar solution such as jam, must be removed immediately. If allowed to cool on the Ceran it could pit and damage the surface.
- Do not cover the Ceran with aluminium foil and do not use poor quality aluminium pots. These will leave unsightly deposits which in time, could adhere to the Ceran.

## Cleaning

**Switch the product off at the wall before cleaning any part of the appliance**

**Never immerse the hob in water.**

### Cleaning the hob

Stainless steel is not adversely affected by normal household use but because of its reputation for durability, it is sometimes assumed to be indestructible, and therefore subjected to misuse or even abuse. Care should be taken to avoid such 'abnormal' use.

#### Do Use

- A soft cloth or synthetic sponge.
- Soap, or mild household detergent.
- Diluted ammonia in warm water.
- A nylon bristle brush.
- Cleaners labelled "Suitable for stainless steel".

#### Do Not Use

- Acids.
- A steam cleaner.
- Coarse abrasive cleaning powders.
- Metallic scourers, steel wool or metal scrapers.
- Wire brushes or emery paper.
- So called 'silver cleaners'.
- Kitchen scourers / foam pads.

### Cleaning procedure

- Frequent cleaning is recommended rather than an occasional aggressive clean.
- Routine cleaning will preserve the corrosion resistance and appearance of the stainless steel for many years.
- Clean the stainless steel as often as necessary ( ie. when noticeably dull or dirty ) and use the simplest cleaning method that will effectively do the job.
- **Always wipe in the direction of the brushed texture on the stainless steel.**
- **See The cleaning guide on the following page**

## Owner's responsibility

**Since the following are not factory faults, they are the owner's responsibility.**

- Damage to exterior finish.
- Breakage of components.
- Damage through improper use or installation of the appliance.
- Damage caused by moving the appliance.
- Rusted or corroded solid plates.

## Problem check if the hob fails to operate....

**Do not attempt to repair the hob yourself. There are no customer service items inside the hob. But, before calling a service technician to assist with a problem, please check:**

- The mains distribution board for tripped circuit breakers
- The wall switch is on.
- **Remember that you may be charged for a service call even during the warranty period if the fault is due to or caused by any of the above.**

# Care guide for stainless steel

Condition	Action	Notes and comments
Requires routine cleaning	Mild detergent solution applied with soft sponge or cloth. Rinse and wipe dry.	If possible use warm to hand-hot water. A 5% addition of ammonia is beneficial.
Finger prints	Pre-treat finger marks with alcohol or an organic solvent. Follow immediately with routine cleaning.	Minimize re-occurrence by applying a wax or silicone based household polish to the clean dry surface.
	Wipe with a little baby oil and a soft lint free cloth. Buff to shine.	Apply whenever necessary.
Stubborn stains and discolouration	Use a little Ceran cleaning paste. (available from Defy Service Centres) Rinse and dry.	Repeat several times rather than resorting to a single aggressive cleaning method.
Grease and fat splatter.	Wipe off excess with a soft cloth or paper towel. Use a water borne degreasing agent ( dishwashing liquid ).Follow up by routine cleaning.	
Scratches on the brushed finish.	For slight scratches, use a nylon pad loaded with an iron free abrasive polishing compound. Follow the direction of the original texture. Follow up with routine cleaning. For deep scratches use a coarser abrasive initially and follow up as for light scratches.	Deep scratches will be difficult to remove completely. Do not use steel wool or metal scourers unless they are made from stainless steel.

**It must be appreciated that some of the above suggested procedures will alter the surface appearance of the treated area.**

**They should therefore only be applied with due consideration and care.**

## Service Centres

If you have followed the instructions and still have a problem, contact the nearest Defy Service Centre. They will be able to advise you on any aspect of the product or send a qualified technician to repair it.

### BLOEMFONTEIN

160 Long Street, Hilton,  
Bloemfontein 9301.  
Tel. 051 400 3900

[Bloemfontein.Service@defy.co.za](mailto:Bloemfontein.Service@defy.co.za)

### CAPE TOWN

5A Marconi Rd.  
Montague Gardens, 7441.  
Tel. 021-526 3000

[CapeTown.Service@defy.co.za](mailto:CapeTown.Service@defy.co.za)

### DURBAN

35 Intersite Avenue,  
Umgeni Business Park, Durban  
4051.

Tel. 031 268 3300

[Durban.Service@defy.co.za](mailto:Durban.Service@defy.co.za)

### EAST LONDON

16 Bowls Rd. Arcadia,  
East London 5201.  
Tel. 043 743 7100

[EastLondon.Service@defy.co.za](mailto:EastLondon.Service@defy.co.za)

### POLOKWANE

87 Nelson Mandela Drive.  
Superbia 0699.  
Tel. 0152 92 1166 / 7 / 8 / 9.

[Polokwane.Service@defy.co.za](mailto:Polokwane.Service@defy.co.za)

### PORT ELIZABETH

112 Patterson Road,  
North End, Port Elizabeth 6001.  
Tel. 041 401 6400

[PortElizabeth.Service@defy.co.za](mailto:PortElizabeth.Service@defy.co.za)

### JOHANNESBURG

Commercial Head Office,  
Administration, Distribution,  
National Groups, Tel. Sales,  
Contracts and Credit.  
Cnr. Mimetes & Kruger Sts.

Denver ext.12  
Johannesburg. 2094.  
Tel. 011 621 0200 or 011 621  
0300

[Gauteng.Service@defy.co.za](mailto:Gauteng.Service@defy.co.za)

### PRETORIA.

Block A1 Old Mutual Industrial  
Park.

Cnr. D.F.Malan Drive & Moot Str.  
Hermanstad. 0082.

Tel. 012 377 8300

[Pretoria.Service@defy.co.za](mailto:Pretoria.Service@defy.co.za)

Other areas are serviced by over 200 authorised agents. Consult the nearest regional Service Centre for details.

## Warranty

This certificate is issued by DEFY APPLIANCES LIMITED manufacturers of Defy and Ocean products, hereinafter the Company, to the original purchaser only, of the appliance described on the certificate and shall constitute the only warranty given in respect of this appliance.

The Company warrants to the original purchaser that for a period of TWO YEARS from date of purchase the appliance is free from defect under normal domestic use, both in workmanship and material, subject to the following conditions.

1. Repair or replacement of any part of this appliance, found by the Company to be defective, shall be at the election of the Company. The Company reserves the right to effect such service through any of its Service Divisions or Authorised Service Dealers. The cost of such service shall be borne by the Company in full, provided that the appliance is located no further than 50 km from a Company Service Centre or an Authorised Service Dealer. Where the appliance is located beyond the 50 km radius, the purchaser shall be liable for the standard travelling charges, as determined by the Company.

CARRY IN SERVICE Microwave ovens, Compact cookers and small appliances are repaired in our service centres and are not collected from the customers home. Faulty units should be delivered to the purchasing dealer or to the nearest Company Service Centre for warranty repairs.

2. Rusted or corroded solid plates, vitreous enamelware, fuses and lamps are specifically excluded from these warranties. It is an express condition of these warranties that the purchaser takes due care and attention in the use and maintenance of the appliance. Abuse, misuse in conflict with operating instructions, connection to incorrect voltages and subjection to commercial use shall release the Company from its obligations.

3. This warranty shall become void and cease to operate if the appliance is dismantled by, or any repairs to the appliance are effected by any persons not duly authorised by the Company, or if substitute parts not approved by the Company are used in the appliance, or if the serial number of the appliance is removed.

4. The Company shall not be responsible for damages resulting from fire, flood, civil disturbances or any Act of God. The Company shall not, in terms of these warranties be responsible nor held liable for any consequential loss or damage of any kind caused by or due to the failure or malfunction of the appliance.

5. The Company shall not be responsible for transportation or other costs other than those incurred within the provisions of Point 1 of this Certificate.

6. These warranties shall not apply to the appliance if it is purchased or used beyond the borders of the Republic of South Africa, Namibia, Botswana, Swaziland and Lesotho.

7. Where service is requested under warranty and no fault or defect can be found by the Company, all costs incurred will be for the purchaser's account.

8. This Certificate as well as your invoice will serve as proof of purchase. For the purpose of warranty, it will be essential to produce this Certificate and invoice. Failure to do so, will render the purchaser liable for service costs.

**KEEP THIS CERTIFICATE AND SALES INVOICE AS PROOF OF PURCHASE FOR WARRANTY PURPOSES.**