



OKUR

A775.4

A7125.4

A7300.2

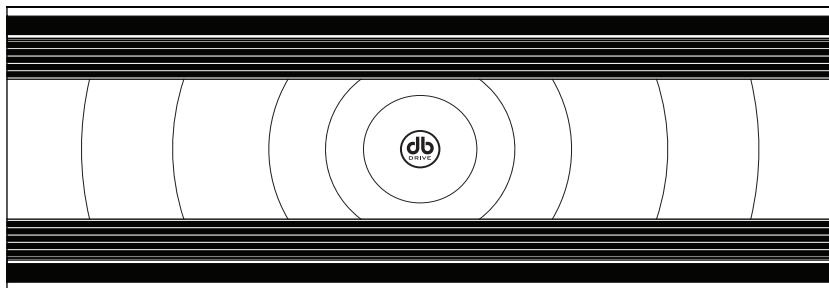
A7750.1

A71100.1

A71500.1

A72000.1

A72500.1



User Manual

• Installation Instructions / Owners Manual •

Due to continuous improvement of the product the Specifications are subject to change without notice.

OKUR

1. OKUR AMPLIFIER'S SPECIFICATION

1-1. OKUR digital monoblock amplifiers

Load	Voltage & THD	A7 750.1	A71100.1	A7 1500.1	A7 2000.1	A7 2500.1
4ohm	14.4 volts & 1%	1 X 175	1 X 225	1 X 375	1 X 740	1 X 1300
2ohm	14.4 volts & 1%	1 X 375	1 X 550	1 X 750	1 X 1300	1 X 2350
1ohm	14.4 volts & 1%	1 X 750	1 X 1100	1 X 1500	1 X 2200	1 X 4300

Working Voltage	8.5~16 Volts
Frequency Response	20Hz ~ 250Hz
Signal to Noise Ratio	< 100dB
Damping Factor	250 <
Low Level Input	6V ~ 0.2V
Low Pass Filter (@ 24dB Slope)	Variable 35Hz ~ 250Hz
Bass Boost @ 45Hz	Vairable 0 ~ 9dB
Subsonic Filter (@ 24dB slope)	Variable 10Hz ~ 50Hz
Phase Shift	Variable 0 ~ 180 degree
Master/slave (Linkable)	Yes
Remte Level Control	Yes
RCA line Output	Yes
Minimum working impedance	1 ohm for single unit 2 ohm for linked

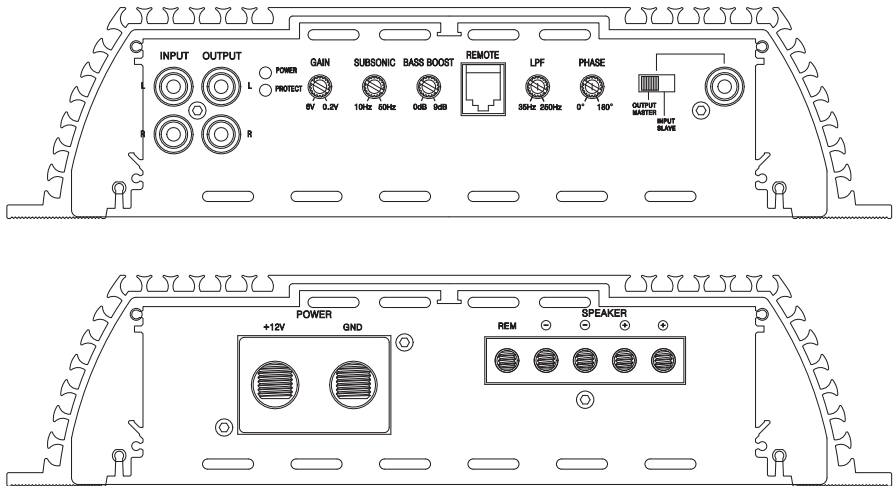
1-2. OKUR 2 and 4channel class AB amplifiers

Load	Voltage & THD	A7 75.4	A7 125.4	A7 300.2
4ohm	14.4 volts & 1%	4 X 60	4 X 110	2 x 300
2ohm	14.4 volts & 1%	4 X 90	4 X 170	2 x 450
4ohm bridegd	14.4 volts & 1%	2 X 180	2 X 340	1 x 600

Frequency Response	20Hz ~ 30KHz
Signal to Noise Ratio	105dB
Damping Factor	200 <
Low Level Input	6V ~ 0.2V
High Pass Filter (@ 18dB Slope)	Variable 50Hz ~ 5KHz
Crossover Selector	HP-FULL-LP / BP
Low Pass Filter (@ 18dB Slope)	Vairable 50Hz ~ 500Hz
Bass Boost @ 45Hz	Variable 0 ~ 18dB
Input Mode Selector	CH2 - CH4
Remote Level Control	Yes
RCA line Output	Yes
Minimum working impedance	2 ohm stereo or 4 ohm mono.

2. OKUR AMPLIFIER'S CONTROL & CONNECTION.

2-1. OKUR digital monoblock amplifiers



INPUT

Connect RCA output cables from the headunit to OKUR digital amplifiers' RCA Input.

OUTPUT

Is used when connecting multiple amplifiers

POWER & PROTECTION INDICATOR

Power LED - Green-lit shows normal operation
Protect LED - RED-lit shows general malfunction, faulty connection or thermal protection

GAIN (6V ~ 0.2V)

Matching the output voltage of the headunit's RCA line-outs to OKUR amplifiers' input section.

SUBSONIC FILTER (10Hz ~ 50Hz @ 24dB/Oct)

Control the high Pass point for the speaker outputs to eliminate extreme low frequencies that can damage your subwoofers.

BASS BOOST (0~9dB @ 45Hz)

It boosts the bass 0 ~ 9dB

REMOTE LEVEL CONTROL PORT

This port is for connecting remote gain level control.

LOW PASS FILTER (35Hz ~ 250Hz @ 24dB/Oct)

Controls the low pass point for the speaker outputs.

PHASE (0 ~ 180 degree)

It control phase from 0 ~ 180 degree

OUTPUT MASTER / INPUT SLAVE

OUTPUT MASTER / INPUT SLAVE connection makes OKUR digital amplifiers as daisy chain connection to 2 ohm.

+12V (POWER CONNECTION)

This must be connected to the fuse positive terminal (+12V) of the battery.

Recommended wire is 4 gauge for **A7750.1** & **A71100.1** and 0 gauge for **A71500.1**, **A72000.1**, **A72500.1** check the battery voltage

GND (GROUND CONNECTION)

It is connected to the Negative or ground cables of the Vehicle.

Recommended wire is 4 gauge for **A7750.1** & **A71100.1** and 0 gauge for **A71500.1**, **A72000.1**, **A72500.1**

REM (REMOTE)

It is connected to switched +12V with a Trigger cable coming from the head unit

SPEAKER OUTPUTS

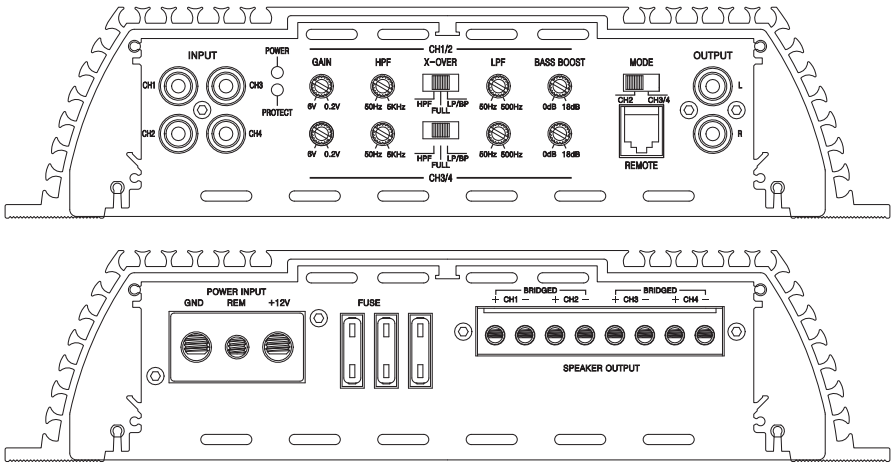
it connects amplifier's terminals to subwoofer speakers.

Minimum speaker wire is 12 gauge.

Minimum impedance is 1 ohm for single unit.

Linked connection's minimum impedance is 2 ohm.

2-2. OKUR 2 and 4channel class AB amplifiers



INPUT

Connect the RCA output cables from the headunit to OKUR amplifiers' RCA Input.

POWER & PROTECTION INDICATOR

Power LED - Green-lit shows normal operation
Protect LED - RED-lit shows general malfunction, faulty connection or thermal protection

GAIN (6V ~ 0.2V)

The gain control matches the voltage of the headunit's RCA line-outs to OKUR amplifiers' input section.

HIGH PASS FILTER (50Hz ~ 5KHz @ 18dB/Oct)

Controls the high pass point for the speaker outputs.

CROSSOVER SELECTOR

Selectable @ HP-FULL-LP / BP

LOW PASS FILTER (50Hz ~ 500Hz @ 18dB/Oct)

Controls the low pass x-over point for the speaker outputs.

BASS BOOST (0~18dB @ 45Hz)

Variable @ 0 ~ 18dB

MODE (CH2 / CH 4)

Selectable input setting

REMOTE LEVEL CONTROL PORT

This port is for connecting the remote gain level control.

3. INSTALLATION

In case you install the OKUR amplifiers by yourself, please read owner's manual very carefully.

Before you start your installation, please take all steps into consideration.

or, you can have DB Drive or DB Reseach's authorized dealer to check installation and set your car audio systems.

OUTPUTS

Is used when connecting multiple amplifier to the same RCA signal

GND (GROUND CONNECTION)

It is connected to the Negative or ground cables of the Vehicle.

Recommended wire is 4 gauge for **A7300.2** , **A775.4** & **A7125.4**

REM (REMOTE)

Connected to switched +12V remote cable from the head unit.

+12V (POWER CONNECTION)

This must be connected to a fused positive terminal (+12V) of the battery.

Recommended wire is 4 gauge for **A7300.2** , **A775.4** & **A7125.4**

FUSES

Protect the amplifiers power supply from any shorts. Any use of overvalued fuses will void all warranty.

SPEAKER OUTPUTS

The minimum recomended speaker wire is 12 gauge.

The minimum impedance is 2 ohm stereo or 4 ohm mono.

3-1. MOUNTING PREPARATION

Disconnect the negative (–) battery cable before mounting your OKUR amplifier or making any connections. Check the battery and alternator ground (–) connections. Make sure they are properly connected and Free of corrosion before selecting a mounting location. Please take some concerns into consideration with cooling efficiency and safety.

3-2. MOUNTING PREPARATION

The OKUR amplifier uses a specially designed heat radiation heatsink to avoiding excessive heat from OKUR circuitry.

But for better heat disipation, It is good to find the mounting location where you can install OKUR vertically with the heatsink fins and better air flow around heat sink.

For the safety, you have to find dry and well ventilated location and make sure any cables and drilling car equipment are not interfaced with mounting location.

Be sure the mounting location and drilling of pilot cables will not present a hazard to any cables, control cables, fuel lines, Fuel tanks, hydraulic lines or other vehicle systems or components.

3-3. +12V, GND, REM CONNECTION

12V (POWER CONNECTION)

Before mounting Platinum series, disconnect the negative (–) wire from battery to protect any accidental damage to amplifier and audio system.

A775.4 , **A7125.4**, **A7300.2** ,**A7750.1** ,**A71100.1** and **A71500.1** are designed to use minimum 4 gauge power and ground cables **A72000.1**, **A72500.1**, are designed to use minimum 0 gauge cables.

Connect the power cables to power terminal labeled as + 12V.

A775.4 , **A7125.4**, **A7300.2**, **A7750.1** ,**A71100.1** and **A71500.1** have built-in fuses. **A72000.1**, and **A72500.1** are not euipped with fuses so you need to install external fuses.

In order to install external fuses, connect one end of fuse holder to the power cable and the other end of fuse holder to positive battery within 18in of the same cable gauge.

This fuse location will protect the system and the vehicle against the possibility of a short circuit in the power cable.

Be sure to use fuses and fuse holder adequate for the current draw application

GND (GROUND CONNECTION)

Locate a secure grounding connection as close to platinum series as possible.

Make sure the location is clean and provides a direct electrical connection to the frame of the vehicle.

Connect one end of a short piece of the same gauge cable as the power cable to the grounding point.

Run the one end of the cable to the grounding point.

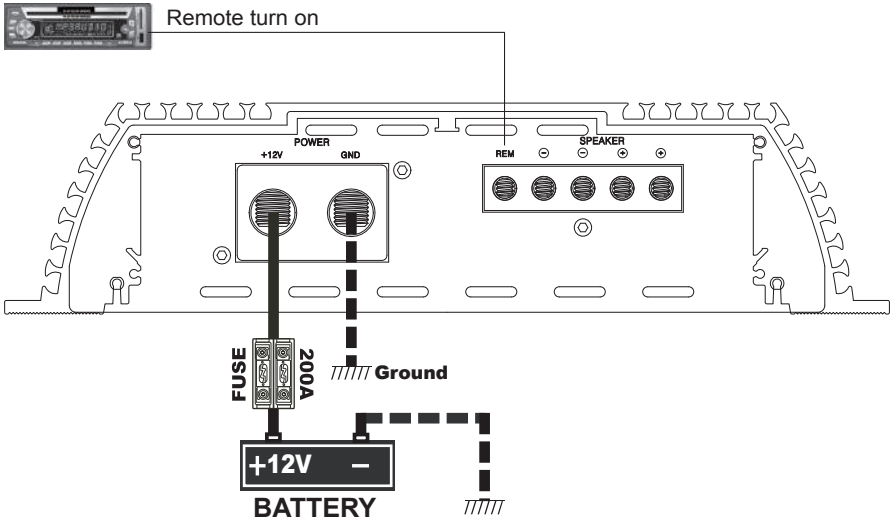
Run the other end of the cable to the mounting location

Connect the ground cable to the screw terminal labeled as GND.

REM (REMOTE CONNECTION)

Run a remote turn on cable from the head units remote switched + 12V output.

OKUR +12V, GROUND, REMOTE CONNECTION DIAGRAM



3-4. SPEAKER CONNECTION

DB Drive recommends to use minimum 12 gauge speaker connecting cables. Run 12 gauge speaker connecting cables from your speakers to OKUR amplifier's mounting location

Keep speaker cables away from power cables and OKUR amplifier's input cables.

Use grommets anywhere the cables have to pass through the holes in the metal frame or sheet metal.

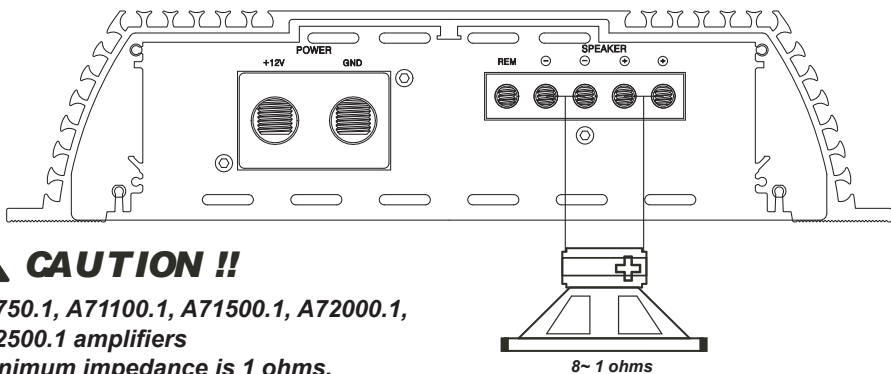
Connect to the speakers according to the type of the terminals on each speaker.

Strip 3/8" of insulation from the end of each cable and twist the cables strands together tightly. Make sure there are no stray strands that might touch other cables or terminals and cause a short circuit.

Crimp spade lugs over the cable ends or tin the ends with solder to provide a secure termination.

Connect the cable ends to Platinum series amplifiers as speaker system diagram

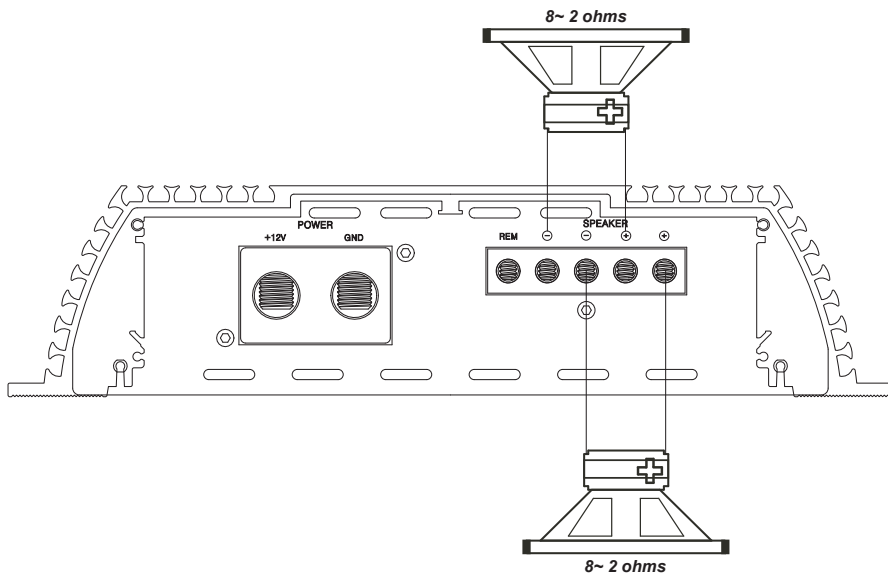
OKUR DIGITAL AMPLIFIERS' SPEAKER CONNECTION DIAGRAM 1.



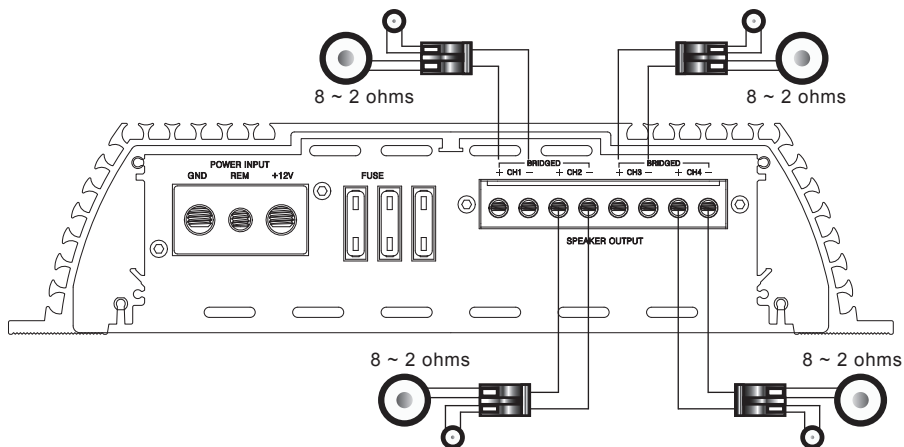
CAUTION !!

**A7750.1, A71100.1, A71500.1, A72000.1,
A72500.1 amplifiers
minimum impedance is 1 ohms.
Linked minimum impedance is 2 ohms.**

OKUR AMPLIFIERS' SPEAKER CONNECTION DIAGRAM 2.



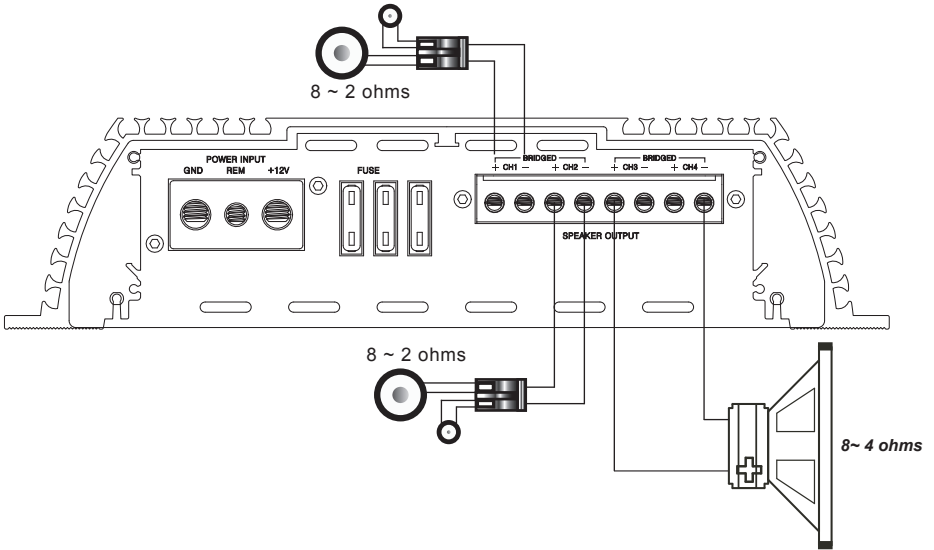
OKUR 4CHANNEL AMPLIFIERS' SPEAKER CONNECTION DIAGRAM 1.



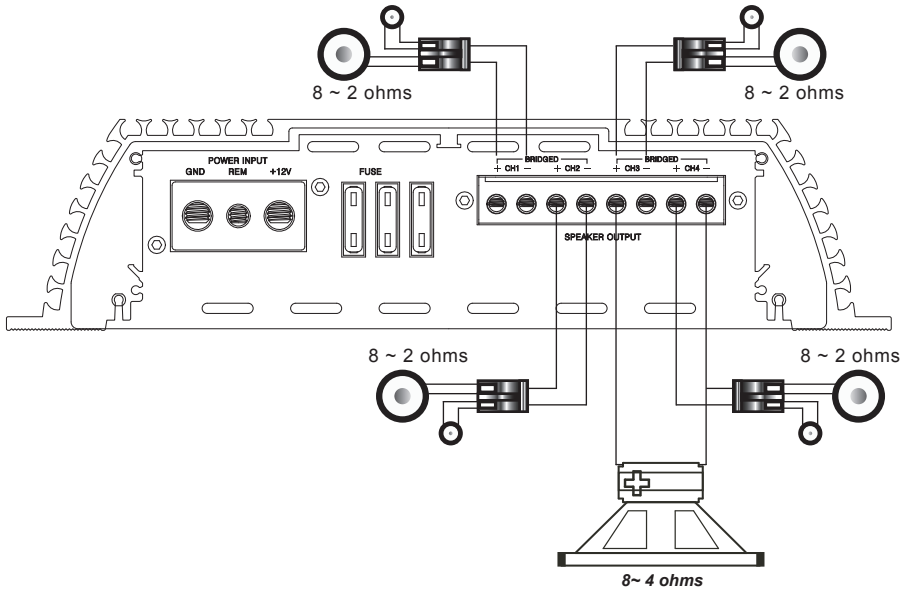
⚠ CAUTION !!

A7300.2, A775.4 & A7125.4 Amplifiers' minimum impedance is 2 ohms stereo or 4 ohm mono

OKUR 4CHANNEL AMPLIFIERS' SPEAKER CONNECTION DIAGRAM 2.



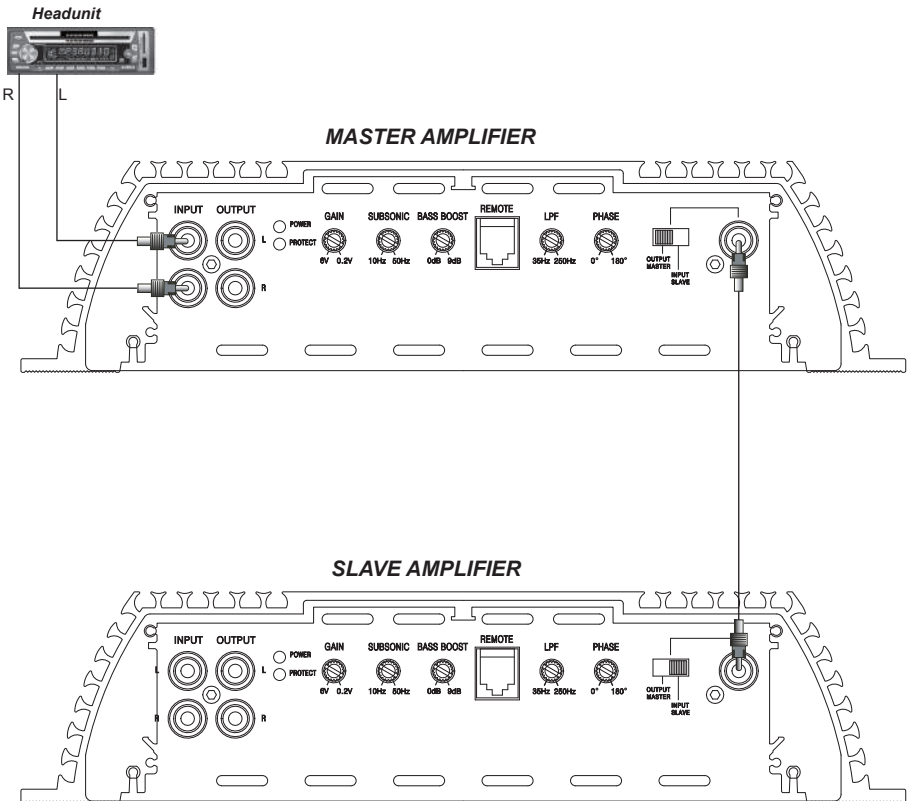
OKUR 4CHANNEL AMPLIFIERS' SPEAKER CONNECTION DIAGRAM 3.



3-5. OKUR DIGITAL AMPLIFIER'S MULTI-LINKING CONNECTION

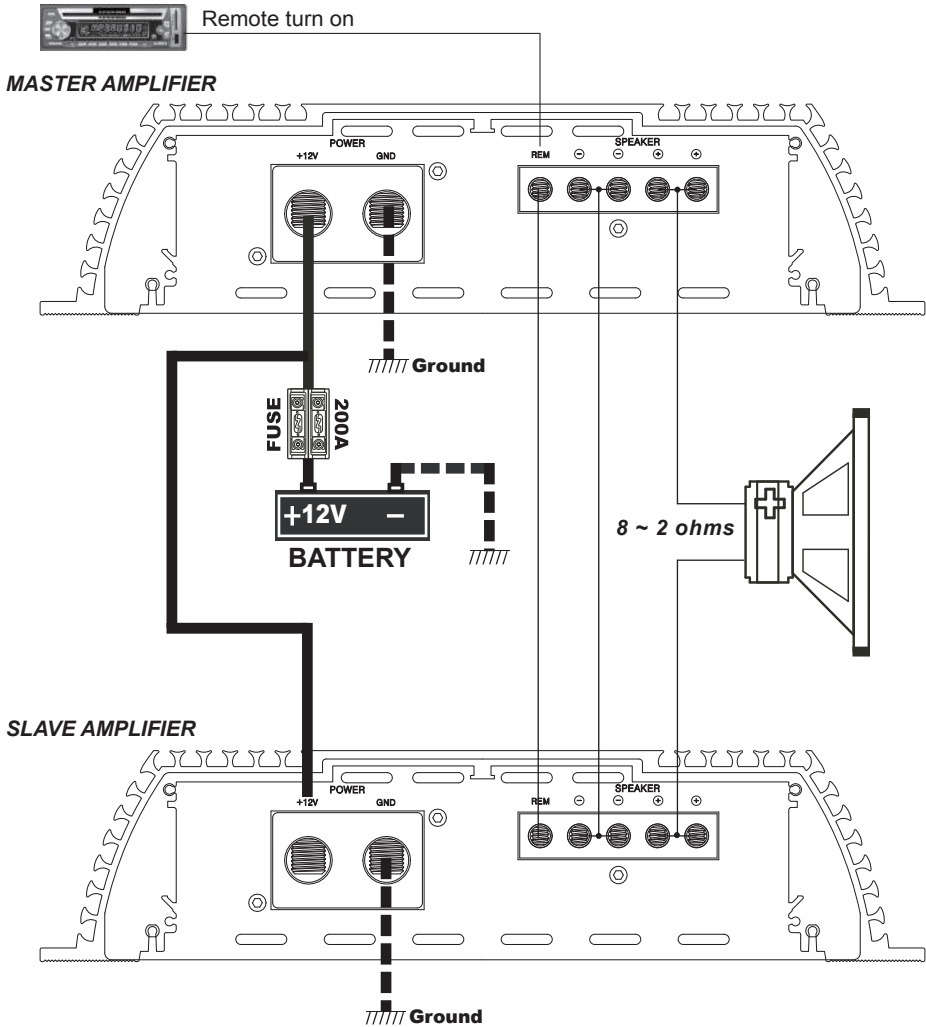
Multi-linking connection allows linking of 2 digital amplifiers to work as 1.
Please read the following connection diagram cautiously to ensure the correct connection.

- Step 1. Connect the master amplifier to the head-unit and set its output master and input slave switch to output master position.
- Step 2. Connect the master and slave amplifiers in daisy chain Rca jack as shown in the diagram.
- Step 3. Set slave amplifier output master & input slave switch to slave input position.
- Step 4. Connect speaker cable (+) on master amplifier to subwoofer (+)
- Step 5. Connect speaker cable (+) on slave amplifier to subwoofer (-)
- Step 6. Connect speaker cable (-) on master amplifier to speaker cable (-) on slave amplifier



⚠ CAUTION !!

A7750.1, A71100.1, A71500.1, A72000.1 & A72500.1 Amplifiers'
Linked minimum impedance is 2 ohms.



⚠ CAUTION !!

*A7750.1, A71100.1, A71500.1, A72000.1, & A72500.1 Amplifiers'
Linked minimum impedance is 2 ohms.*

4. TROUBLE SHOOTING

NO SOUND (NO OUTPUT)

- 1) Please check all connections, cables' routing, short and voltage at OKUR amplifiers and headunit
- 2) Please check built-in or external fuses ,If it is blown, pls replace with new one.
- 3) Please check whether speakers work well, you can test speakers by connecting to another amplifier

PROTECTION

- 1) Please check overload, overheat (thermal), short, voltage and DC offset.
- 2) Minimum working impedance for 2 and 4 channel amplifiers is 2 ohm stereo or 4 ohm mono
Minimum working impedance for all Class D mono amplifiers is
1 ohm for single unit and 2 ohm for linked operation.
- 3) If the OKUR amplifiers are shut down due to overheat, Reset by turning off the remote input and allowing time to cool down.
Please make sure there are no airflow obstructions around OKUR amplifiers to prevent thermal protection
- 4) A7750.1, A71100.1, A71500.1, A72000.1 and A72500.1 have voltage protection as 8.5V~16V
If Voltage is out of range as above, Platinum series amplifiers will be protected.

POOR BASS RESPONSE

- 1) Please check speaker polaritys .

WHINING NOISE

- 1) Engine noise is caused by poor grounding of OKUR amplifiers, headunit, other components, battery or alternator, so please check all grounding connection.

LIMITED WARRANTY

DB DRIVE warrants the OKUR amplifiers for a period of 1 year from the date of original sales invoice. This warranty applies to the original purchase only. The OKUR amplifiers must be purchased directly from an authorized DB Drive dealer or DB Research.

This limited warranty does not extend to units that have been subjected to misuse, abuse, neglect, or accident. Products that in DB DRIVE's judgment shows evidence of having been altered, modified, abused or serviced without DB DRIVE's authorization, will be ineligible under this warranty. The original sales invoice must be presented at the time any warranty claim is made. All OKUR amplifiers returned for warranty will be inspected before any warranty agreement is issued.

For any questions about the warranty service please contact DB Research.



DB Research L.L.P.

302 Hanmore Industrial Parkway // Harlingen, TX 78550
ph: 877.787.0101 // www.dbdrive.net