

ESG366, ESG486

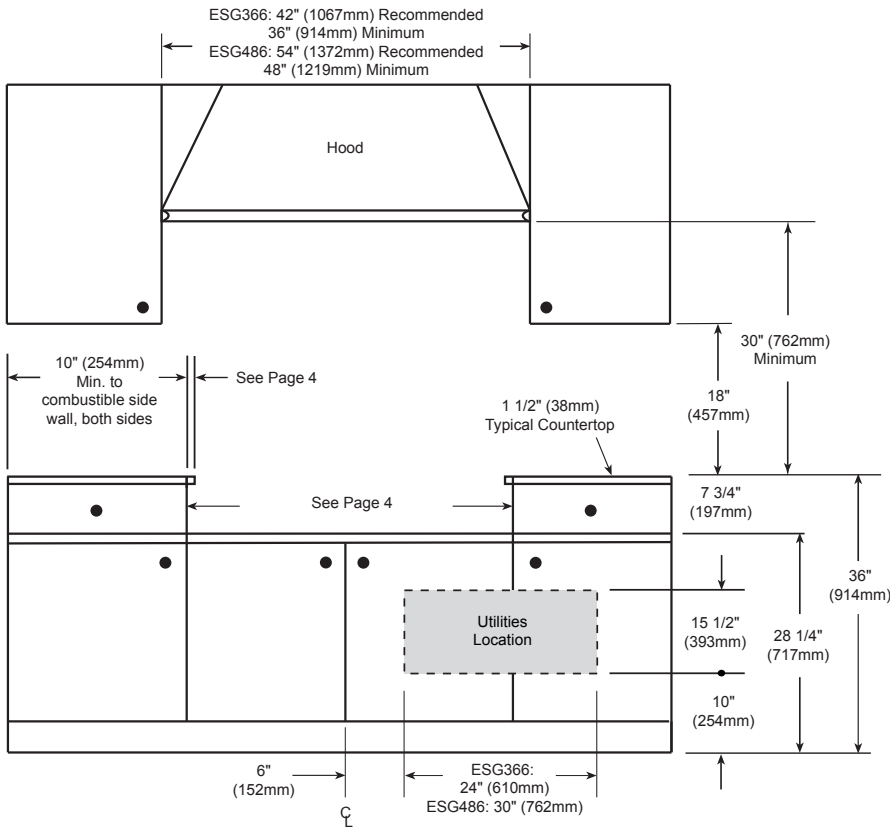


Revised
02/29/08

36", 48" Wide, Epicure™ Gas Cooktops

1/2

PLANNING GUIDE



CABINET DIMENSIONS

NOTES:

1. If cabinet storage space is to be provided directly above the cooktop, the risk of personal injury may be reduced by installing a ventilating hood that projects horizontally a minimum of 5 inches (127mm) beyond the face of the cabinets.
2. Access to the underside of the cooktop, the electrical connection, the gas shut-off valve and the pressure regulator must be provided for inspection and service.

Plan the installation so that the electrical connection, gas shut-off valve, and pressure regulator are accessible from the front of the cabinet, and that all of the minimum dimensions are provided. Dimensions apply to all models unless otherwise noted. Locate the electrical supply box within reach of the included 48 inch (1219mm) long flexible cord so the connection is accessible when the cooktop is in place.

Model No.	Electrical Circuit Required	Total Connected Load	Gas Type	Manifold Pressure	Min. Gas Supply pressure	Approximate Shipping Weight
ESG366	120 Vac, 60 Hz, 15 Amp	0.25 Amps (0.03 Kw)	Natural	4" Water Column	5" Water Column	128 lbs.
ESG366LP			Liquid Propane	10" Water Column	11" Water Column	
ESG486			Natural	4" Water Column	5" Water Column	149 lbs.
ESG486LP			Liquid Propane	10" Water Column	11" Water Column	

Gas and Electrical Requirements

NOTES:

1. Factory installed liquid propane (LP) special ordered.
2. Cooktop is supplied with a 48" (1219mm) power cord, with a three prong grounded plug.
3. Utilities are located in the right rear corner of the cooktop.
4. Utilities may be located in the right rear corner of the cabinet below the cooktop. (Recommended)
5. See the Combination Installation (CI) Section if installing with a downdraft, or warming oven.

ESG366, ESG486

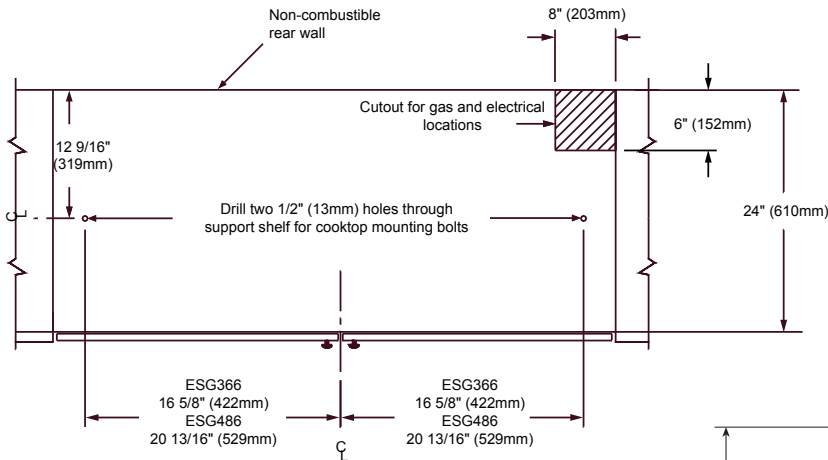


Revised
02/29/08

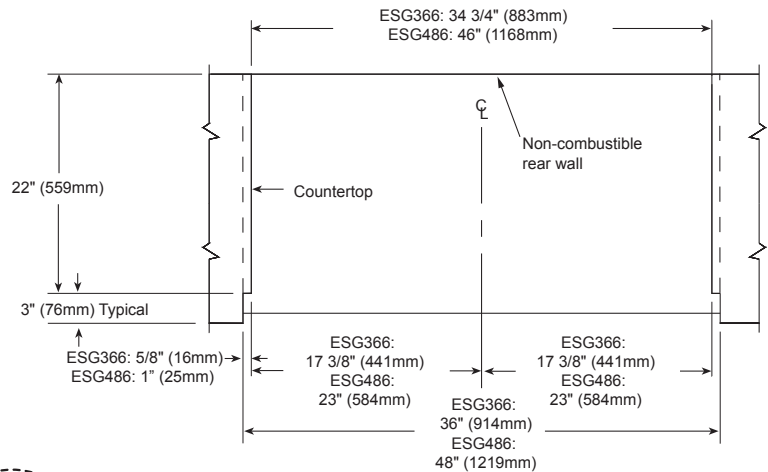
36", 48" Wide, Epicure™ Gas Cooktops

2/2

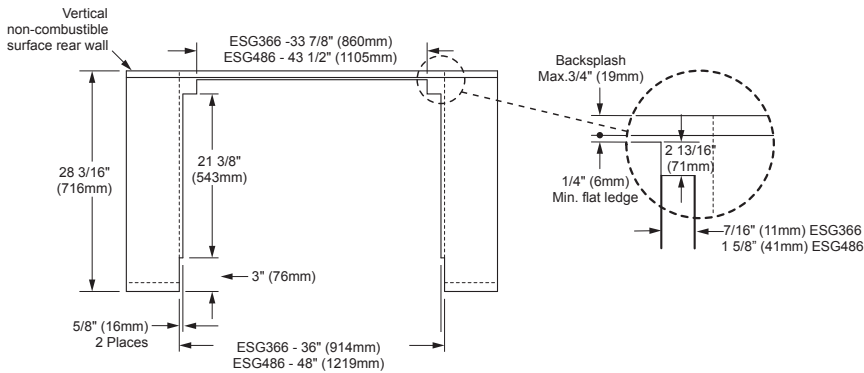
PLANNING GUIDE



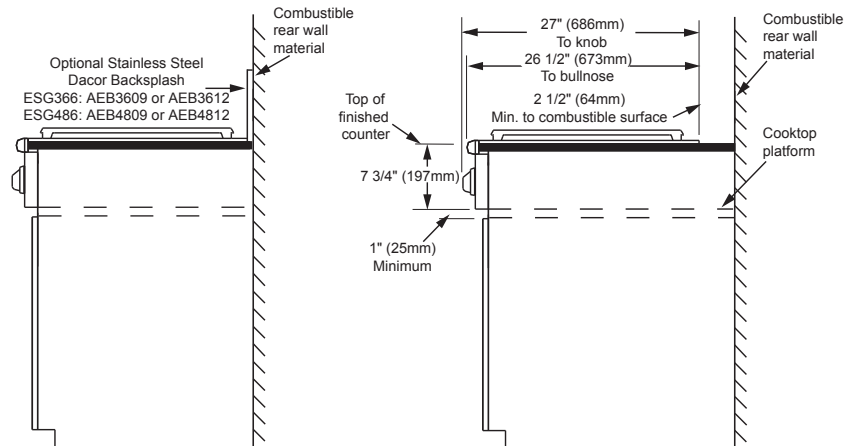
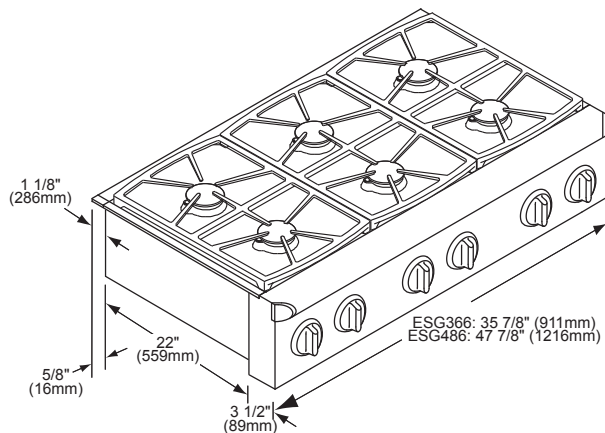
**BASE CABINET PREPARATION
NON-COMBUSTIBLE REAR WALL
TOP VIEW**



**COUNTERTOP PREPARATION
NON-COMBUSTIBLE REAR WALL**



**CUTOUT DIMENSIONS WITH
COUNTERTOP VENT**



**OVERALL DIMENSIONS CLEARANCE
TO COMBUSTIBLE REAR WALL**