

ESG366, ESG486

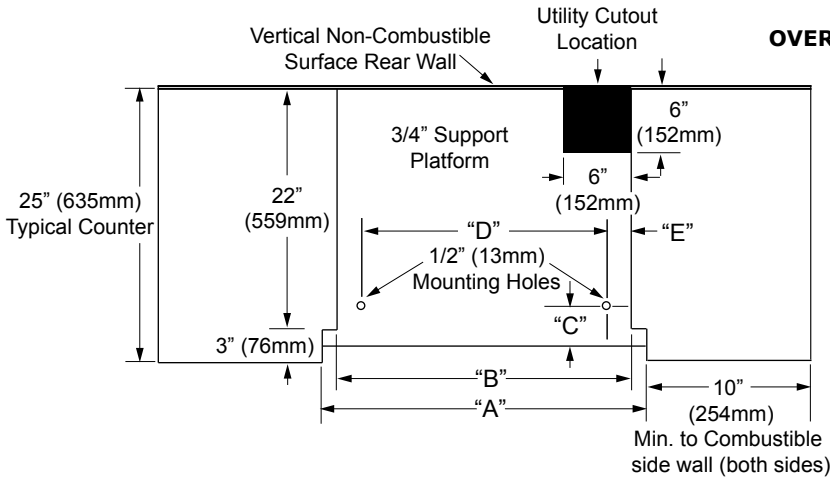
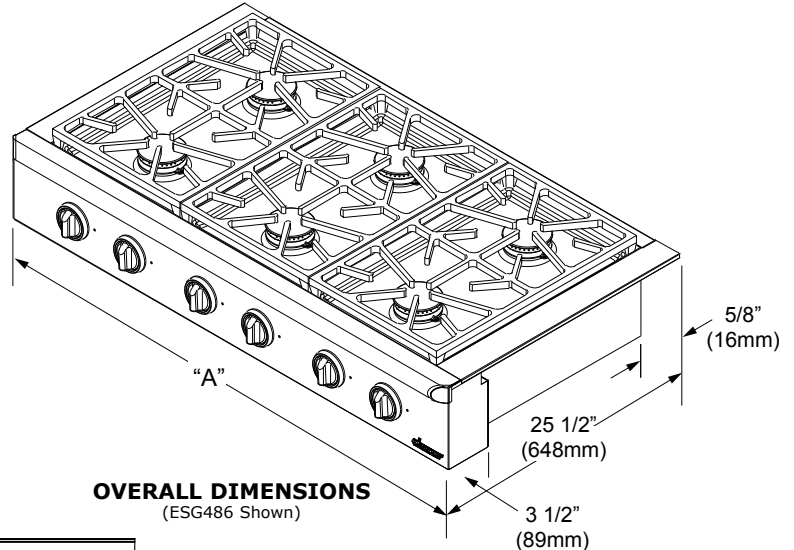


091605

36", 48" Wide, Epicure™ Gas Cooktops

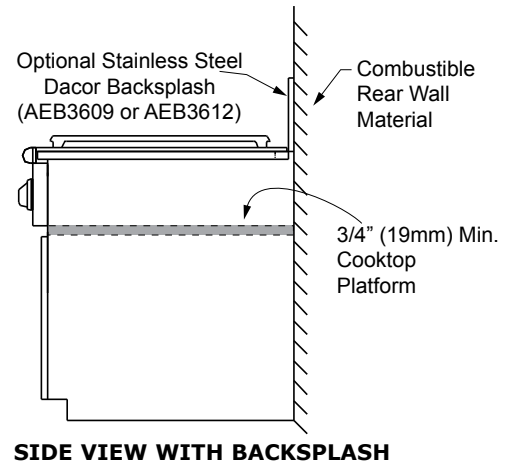
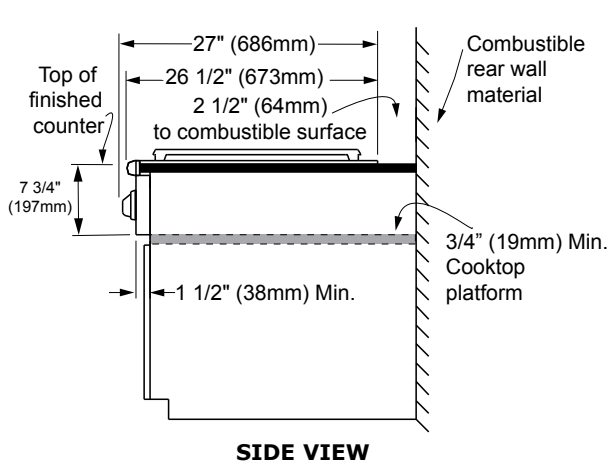
1/2

PLANNING GUIDE

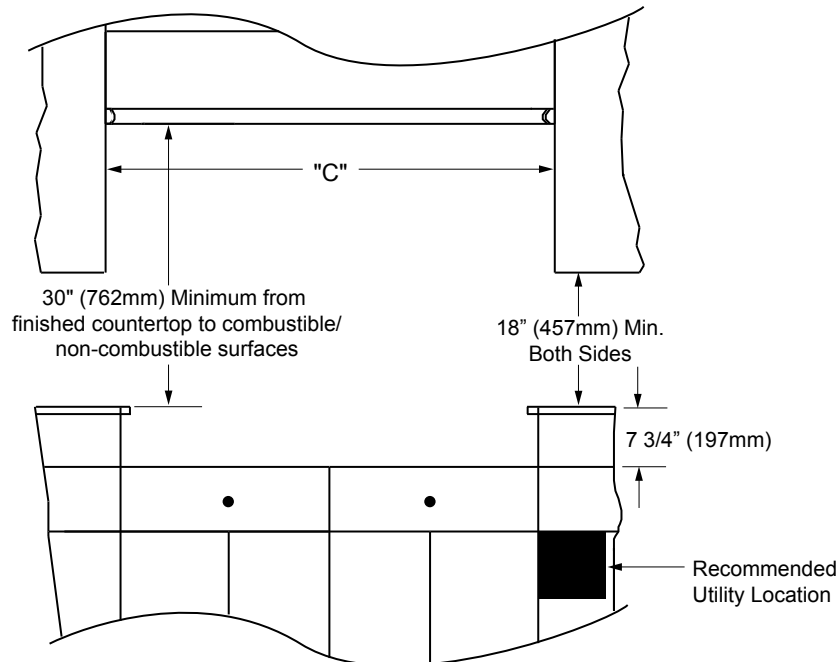


CUTOUT DIMENSIONS

| Model No. | "A" Cooktop Width | "B" Cooktop Cutout Width | "C" Mounting Holes Set Back | "D" Distance Between Mounting Holes | "E" Distance from Countertop |
|-----------|-------------------|--------------------------|-----------------------------|-------------------------------------|------------------------------|
| ESG366 | 36" (914mm) | 34 3/4" (883mm) | 11 1/4" (286mm) | 33 1/4" (845mm) | 1 3/8" (35mm) |
| ESG486 | 48" (1219mm) | 46" (1168mm) | | 41 5/16" (1049mm) | 3 15/16" (100mm) |



ESG366, ESG486



UPPER CABINET DIMENSIONS

(Upper Cabinets 13" (330mm) Maximum Depth)

| Model No. | "C" Min. Hood Width | "C" Recommended Hood Width |
|-----------|---------------------|----------------------------|
| ESG366 | 36" (914mm) | 42" (1067mm) |
| ESG486 | 48" (1219mm) | 54" (1372mm) |

| Model No. | Dedicated Circuit Required | Total Connected Load | Gas Supply Requirements | Approximate Shipping Weight |
|-----------|-----------------------------|----------------------|--|-----------------------------|
| ESG366 | 120VAC, 60Hz, 15A (Breaker) | 0.03kW (0.25A) | 3/4" (19mm) Regulator - Natural Gas Standard | 128 lbs. |
| ESG486 | | | | 149 lbs. |

NOTES:

1. Factory installed liquid propane (LP) special ordered.
2. Cooktop is supplied with a 48" (1219mm) power cord, with a three prong grounded plug.
3. Utilities are located in the right rear corner of the cooktop.
4. Utilities may be located in the right rear corner of the cabinet below the cooktop. (Recommended)
5. See the Combination Installation (CI) Section if installing with a downdraft, or warming oven.