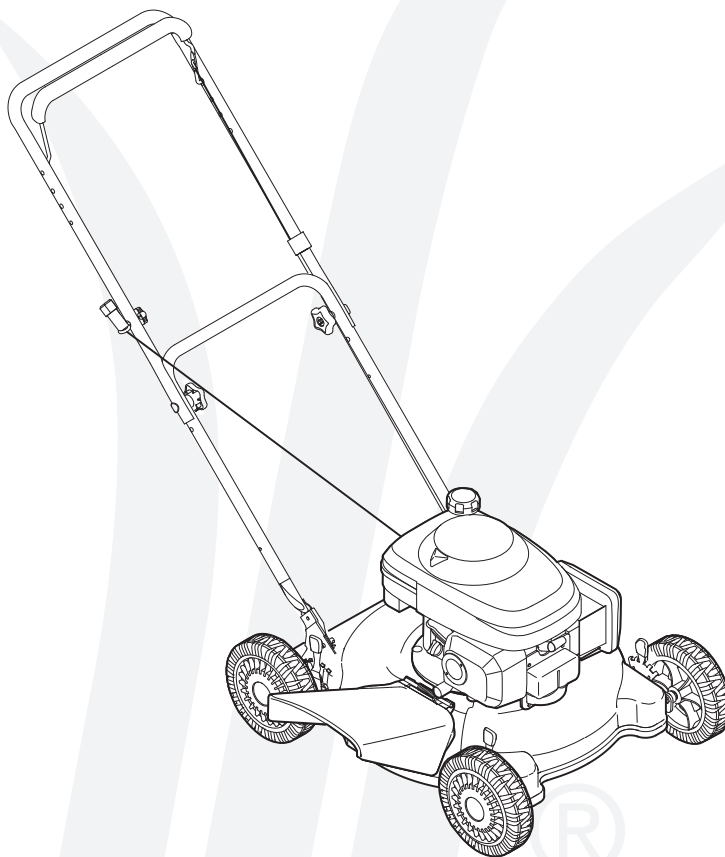


OPERATOR'S MANUAL



20" Rotary Mower — Model Series 100

IMPORTANT:

**READ SAFETY RULES AND INSTRUCTIONS
CAREFULLY BEFORE OPERATING EQUIPMENT.**

LES DISTRIBUTIONS RVI LIMITÉE, 2955, JEAN-BAPTISTE DESCHAMPS, LACHINE, QUEBEC H8T 1C5

This Operator's Manual is an important part of your new equipment. It will help you assemble, prepare and maintain the unit for best performance. Please read and understand what it says.

Table of Contents


Slope Gauge.....	3	Maintenance & Off-Season Storage.....	10
Safe Operation Practices	4	Trouble Shooting	12
Set-Up & Adjustments.....	6	Warranty	13
Operation.....	8	Illustrated Parts Lists	14

Finding and Recording Model Number

BEFORE YOU START ASSEMBLING YOUR NEW EQUIPMENT,

please locate the model plate on the equipment and copy the the model number and the serial number to the sample model plate provided to the right. You can locate the model plate by standing at the operating position and looking down at the rear of the machine.

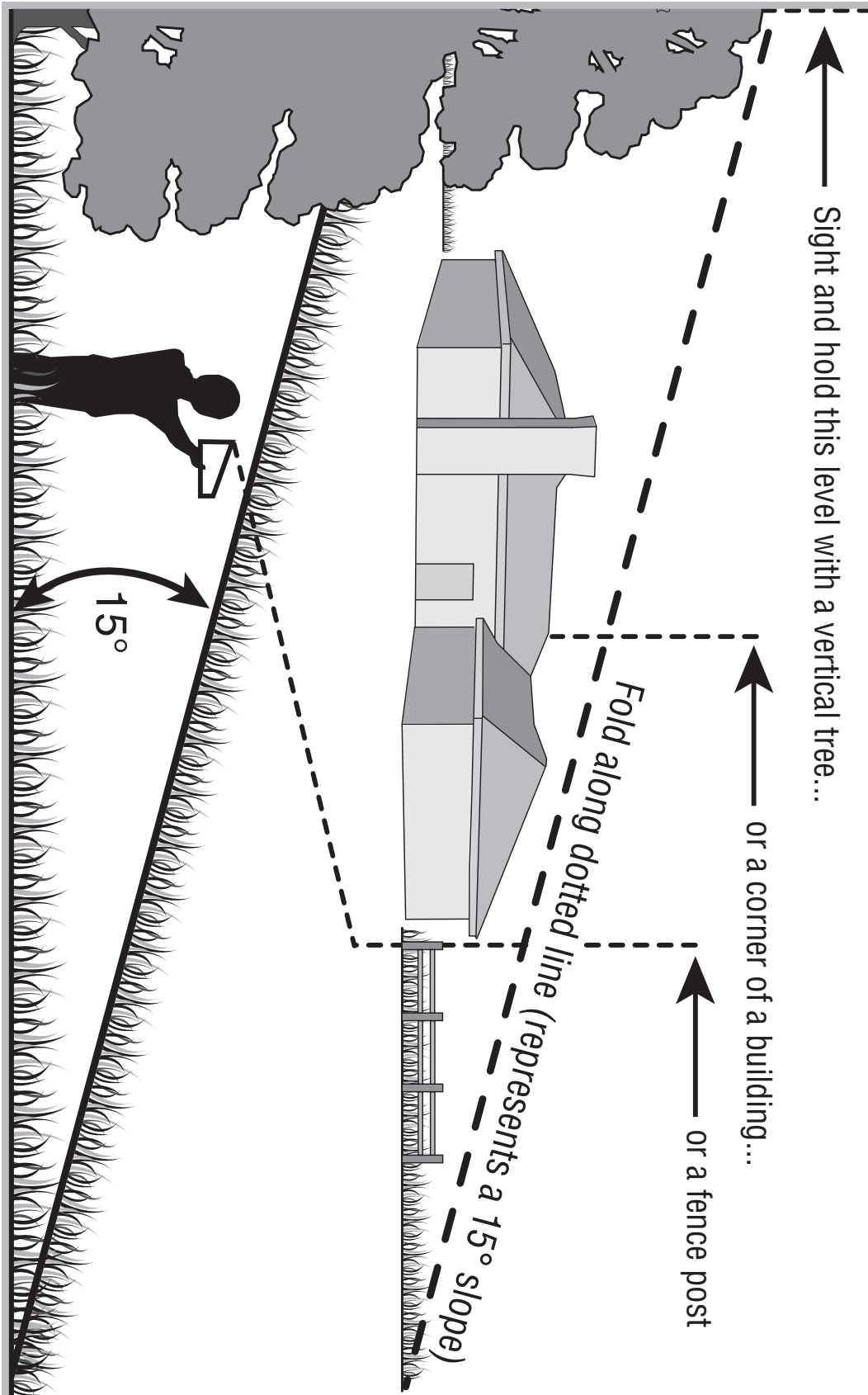
Model Number Numéro de modèle	Serial Number Numéro de série
XXXXXXXXXX	XXXXXXXXXX

COLUMBIA  COLUMBIA CANADA
KITCHENER, ON N2G 4J1

Customer Support

1. If you have difficulty assembling this product or have any questions regarding the controls, operation or maintenance of this unit, please call an authorized dealer.
Please have your unit's model number and serial number ready when you call. See previous section to locate this information.
2. The engine manufacturer is responsible for all engine-related issues in terms of performance, power-rating, specifications, warranty, and service. Depending on the engine manufacturer, more information is included in this publication or packed separately with this product.

Use this page as a guide to determine slopes where you may not operate safely. **Do not operate** your lawn mower on such slopes.



1

Slope Gauge



WARNING

Do not mow on inclines with a slope in excess of 15 degrees (a rise of approximately 2-1/2 feet every 10 feet). A riding mower could overturn and cause serious injury. If operating a walk-behind mower on such a slope, it is extremely difficult to maintain your footing and you could slip, resulting in serious injury.

Operate RIDING mowers up and down slopes, never across the face of slopes.

Operate WALK-BEHIND mowers across the face of slopes, never up and down slopes.

2

Safe Operation Practices



WARNING

This symbol points out important safety instructions which, if not followed, could endanger the personal safety and/or property of yourself and others. Read and follow all instructions in this manual before attempting to operate this machine. Failure to comply with these instructions may result in personal injury. When you see this symbol. **HEED ITS WARNING!**

Your Responsibility
Restrict the use of this power machine to persons who read, understand and follow the warnings and instructions in this manual and on the machine.



WARNING: Engine Exhaust, some of its constituents, and certain vehicle components contain or emit chemicals known to the State of California to cause cancer and birth defects or other reproductive harm.

DANGER: This machine was built to be operated according to the rules for safe operation in this manual. As with any type of power equipment, carelessness or error on the part of the operator can result in serious injury. This machine is capable of amputating hands and feet and throwing objects. Failure to observe the following safety instructions could result in serious injury or death.

General Operation

1. Read this operator's manual carefully in its entirety before attempting to assemble this machine. Read, understand, and follow all instructions on the machine and in the manual(s) before operation. Keep this manual in a safe place for future and regular reference and for ordering replacement parts.
2. Be completely familiar with the controls and the proper use of this machine before operating it.
3. This machine is a precision piece of power equipment, not a plaything. Therefore, exercise extreme caution at all times. Your unit has been designed to perform one job: to mow grass. Do not use it for any other purpose.
4. Never allow children under 14 years old to operate this machine. Children 14 years old and over should read and understand the instructions in this manual and should be trained and supervised by a adult.
5. Only responsible individuals who are familiar with these rules of safe operation should be allowed to use this machine.
6. Thoroughly inspect the area where the equipment is to be used. Remove all stones, sticks, wire, bones, toys and other foreign objects which could be tripped over or picked up and thrown by the blade. Thrown objects can cause serious personal injury.
7. Plan your mowing pattern to avoid discharge of material toward roads, sidewalks, bystanders and the like. Also, avoid discharging material against a wall or obstruction which may cause discharged material to ricochet back toward the operator.
8. To help avoid blade contact or a thrown object injury, stay in the operator zone behind the handles and keep children, bystanders, helpers and pets at least 75 feet from the mower while it is in operation. Stop machine if anyone enters the area.
9. Always wear safety glasses or safety goggles during operation and while performing an adjustment or repair to protect your eyes. Thrown objects which ricochet can cause serious injury to the eyes.
10. Wear sturdy, rough-soled work shoes and close-fitting slacks and shirts. Shirts and pants that cover the arms and legs and steel-toed shoes are recommended. Never operate this machine in bare feet, sandals, slippery or light weight (e.g. canvas) shoes.
11. Do not put hands or feet near rotating parts or under the cutting deck. Contact with the blade can amputate hands and feet.
12. A missing or damaged discharge cover can cause blade contact or thrown object injuries.
13. Many injuries occur as a result of the mower being pulled over the foot during a fall caused by slipping or tripping. Do not hold on to the mower if you are falling; release the handle immediately.
14. Never pull the mower back toward you while you are walking. If you must back the mower away from a wall or obstruction first look down and behind to avoid tripping and then follow these steps:
 - a. Step back from the mower to fully extend your arms.
 - b. Be sure you are well balanced with sure footing.
 - c. Pull the mower back slowly, no more than half way toward you.
 - d. Repeat these steps as needed.
15. Do not operate the mower while under the influence of alcohol or drugs.
16. Do not engage the self-propelled mechanism on units so equipped while starting engine.
17. The blade control handle is a safety device. Never attempt to bypass its operation. Doing so makes the safety device inoperative and may result in personal injury through contact with the rotating blade. The blade control handle must operate easily in both directions and automatically return to the disengaged position when released.
18. Never operate the mower in wet grass. Always be sure of your footing. A slip and fall can cause serious personal injury. If you feel you are losing your footing, release the blade control handle immediately and the blade will stop rotating within three seconds.
19. Mow only in daylight or in good artificial light. Walk, never run.
20. Stop the blade when crossing gravel drives, walks or roads.
21. If the equipment should start to vibrate abnormally, stop the engine and check immediately for the cause. Vibration is generally a warning of trouble.
22. Shut the engine off and wait until the blade comes to a complete stop before removing the grass catcher or unclogging the chute. The cutting blade continues to rotate for a few seconds after the engine is shut off. Never place any part of the body in the blade area until you are sure the blade has stopped rotating.
23. Never operate mower without proper trail shield, discharge cover, grass catcher, blade control handle or other safety protective devices in place and working. Never operate mower with damaged safety devices. Failure to do so, can result in personal injury.
24. Muffler and engine become hot and can cause a burn. Do not touch.
25. Never attempt to make a wheel or cutting height adjustment while the engine is running.
26. Only use parts and accessories made for this machine by the manufacturer. Failure to do so can result in personal injury.
27. When starting engine, pull cord slowly until resistance is felt, then pull rapidly. Rapid retraction of starter cord (kickback) will pull hand and arm toward engine faster than you can let go. Broken bones, fractures, bruises or sprains could result.
28. If situations occur which are not covered in this manual, use care and good judgment. Call customer assistance for the name of your nearest servicing dealer.

Slope Operation

Slopes are a major factor related to slip and fall accidents which can result in severe injury. Operation on slopes requires extra caution. If you feel uneasy on a slope, do not mow it. For your safety, use the slope gauge included as part of this manual to measure slopes before operating this unit on a sloped or hilly area. If the slope is greater than 15 degrees, do not mow it.

Do:

1. Mow across the face of slopes; never up and down. Exercise extreme caution when changing direction on slopes.
2. Watch for holes, ruts, rocks, hidden objects, or bumps which can cause you to slip or trip. Tall grass can hide obstacles.

- Always be sure of your footing. A slip and fall can cause serious personal injury. If you feel you are losing your balance, release the blade control handle immediately, and the blade will stop rotating within 3 seconds.

Do Not:

- Do not mow near drop-offs, ditches or embankments, you could lose your footing or balance.
- Do not mow slopes greater than 15 degrees as shown on the slope gauge.
- Do not mow on wet grass. Unstable footing could cause slipping.

Children

Tragic accidents can occur if the operator is not alert to the presence of children. Children are often attracted to the mower and the mowing activity. They do not understand the dangers. Never assume that children will remain where you last saw them.

- Keep children out of the mowing area and under the watchful care of a responsible adult other than the operator.
- Be alert and turn mower off if a child enters the area.
- Before and while moving backwards, look behind and down for small children.
- Use extreme care when approaching blind corners, doorways, shrubs, trees, or other objects that may obscure your vision of a child who may run into the mower.
- Keep children away from hot or running engines. They can suffer burns from a hot muffler.
- Never allow children under 14 years old to operate a power mower. Children 14 years old and over should read and understand the operation instructions and safety rules in this manual and should be trained and supervised by a parent.

Service

Safe Handling Of Gasoline:

- To avoid personal injury or property damage use extreme care in handling gasoline. Gasoline is extremely flammable and the vapors are explosive. Serious personal injury can occur when gasoline is spilled on yourself or your clothes which can ignite. Wash your skin and change clothes immediately.
- Use only an approved gasoline container.
- Never fill containers inside a vehicle or on a truck or trailer bed with a plastic liner. Always place containers on the ground away from your vehicle before filling.
- Remove gas-powered equipment from the truck or trailer and refuel it on the ground. If this is not possible, then refuel such equipment on a trailer with a portable container, rather than from a gasoline dispenser nozzle.
- Keep the nozzle in contact with the rim of the fuel tank or container opening at all times until fueling is complete. Do not use a nozzle lock-open device.
- Extinguish all cigarettes, cigars, pipes and other sources of ignition.
- Never fuel machine indoors because flammable vapors will accumulate in the area.
- Never remove gas cap or add fuel while the engine is hot or running. Allow engine to cool at least two minutes before refueling.
- Never over fill fuel tank. Fill tank to no more than ½ inch below bottom of filler neck to provide for fuel expansion.
- Replace gasoline cap and tighten securely.
- If gasoline is spilled, wipe it off the engine and equipment. Move unit to another area. Wait 5 minutes before starting the engine.
- Never store the machine or fuel container near an open flame, spark or pilot light as on a water heater, space heater, furnace, clothes dryer or other gas appliances.

- To reduce fire hazard, keep mower free of grass, leaves, or other debris build-up. Clean up oil or fuel spillage and remove any fuel soaked debris.
- Allow a mower to cool at least 5 minutes before storing.

General Service:

- Never run an engine indoors or in a poorly ventilated area. Engine exhaust contains carbon monoxide, an odorless and deadly gas.
- Before cleaning, repairing, or inspecting, make certain the blade and all moving parts have stopped. Disconnect the spark plug wire and ground against the engine to prevent unintended starting.
- Check the blade and engine mounting bolts at frequent intervals for proper tightness. Also, visually inspect blade for damage (e.g., bent, cracked, worn) Replace blade with the original equipment manufacturer's (O.E.M.) blade only, listed in this manual. "Use of parts which do not meet the original equipment specifications may lead to improper performance and compromise safety!"
- Mower blades are sharp and can cut. Wrap the blade or wear gloves, and use extra caution when servicing them.
- Keep all nuts, bolts, and screws tight to be sure the equipment is in safe working condition.
- Never tamper with safety devices. Check their proper operation regularly.
- After striking a foreign object, stop the engine, disconnect the spark plug wire and ground against the engine. Thoroughly inspect the mower for any damage. Repair the damage before starting and operating the mower.
- Never attempt to make a wheel or cutting height adjustment while the engine is running.
- Grass catcher components, discharge cover, and trail shield are subject to wear and damage which could expose moving parts or allow objects to be thrown. For safety protection, frequently check components and replace immediately with original equipment manufacturer's (O.E.M.) parts only, listed in this manual. "Use of parts which do not meet the original equipment specifications may lead to improper performance and compromise safety!"
- Do not change the engine governor setting or overspeed the engine. The governor controls the maximum safe operating speed of the engine.
- Check fuel line, tank, cap, and fittings frequently for cracks or leaks. Replace if necessary.
- Do not crank engine with spark plug removed.
- Maintain or replace safety labels, as necessary.
- Observe proper disposal laws and regulations. Improper disposal of fluids and materials can harm the environment.

Do not modify engine

To avoid serious injury or death, do not modify engine in any way. Tampering with the governor setting can lead to a runaway engine and cause it to operate at unsafe speeds. Never tamper with factory setting of engine governor.

Average Useful Life

According to the Consumer Products Safety Commission (CPSC) and the U.S. Environmental Protection Agency (EPA), this product has an *Average Useful Life* of seven (7) years, or 60 hours of operation. At the end of the *Average Useful Life*, buy a new machine or have the machine inspected annually by an authorized service dealer to ensure that all mechanical and safety systems are working properly and not worn excessively. Failure to do so can result in accidents, injuries or death.

2

Safe Operation Practices



WARNING

This machine is equipped with an internal combustion engine and should not be used on or near any unimproved forest-covered, brushcovered or grass-covered land unless the engine's exhaust system is equipped with a spark arrester meeting applicable local or provincial laws (if any).

If a spark arrester is used, it should be maintained in effective working order by the operator.

A spark arrester for the muffler is available through your nearest engine authorized service dealer.

Notice regarding Emissions

Engines which are certified to comply with California and federal EPA emission regulations for SORE (Small Off Road Equipment) are certified to operate on regular unleaded gasoline, and may include the following emission control systems: Engine Modification (EM) and Three Way Catalyst (TWC) if so equipped.

3

Setup and Adjustments



This owner's manual covers various models of lawnmowers. The units illustrated may vary slightly from your unit. Follow only those instructions which pertain to your model lawnmower.

IMPORTANT

This unit is shipped **WITHOUT GASOLINE or OIL**. After assembly, service engine with gasoline and oil as instructed in the separate engine manual packed with your unit.

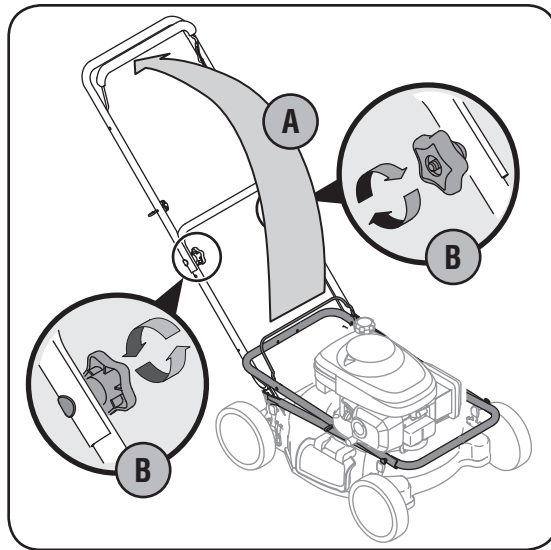


Figure 1

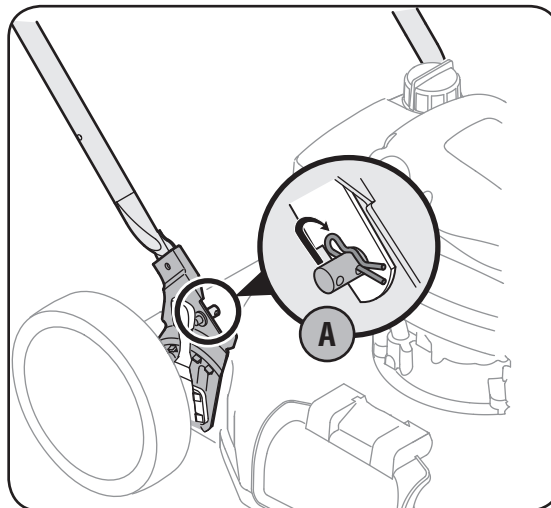


Figure 2

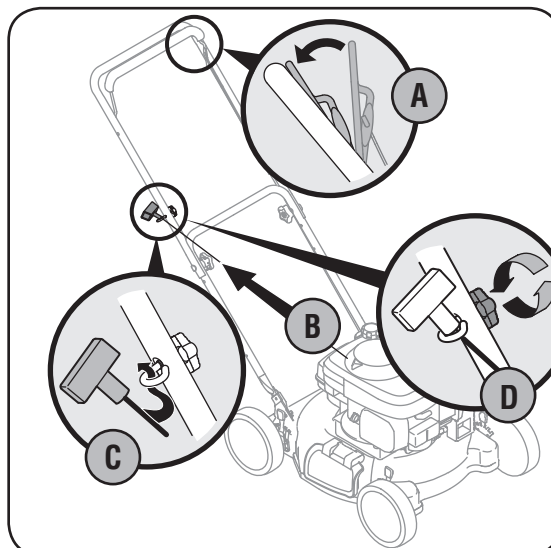


Figure 3

NOTE: Reference to right, left, front and rear of the lawn mower is in relation to the operating position.



WARNING: Disconnect and ground the spark plug wire as instructed in the separate engine manual.

1. Remove any packing material which may be between upper and lower handles.
 - a. Pull up and back on the upper handle to raise the handle into the operating position. Position A.
 - b. Tighten knobs securing upper handle to lower handle. Make sure that each carriage bolt is seated properly in the handle. Position B.
2. Locate hairpin clip in one hole on the weld pin on each side of lower handle. Figure 2.
 - a. Remove hairpin clip from this hole. Using a pair of pliers, insert hairpin clip into the other hole on the weld pin. Repeat on other side. Position A.
3. Rope guide Setup as follows, see Figure 3.
 - a. Hold the blade control against the upper handle. Position A.
 - b. Slowly pull starter rope out of engine. Position B.
 - c. Slip starter rope into the rope guide. Position C.
 - d. Tighten rope guide wing nut (star knobs). Position D.

4. Insert post on cable ties into holes provided on the lower handle. Pull cable tie tight and trim excess. See Figure 4.

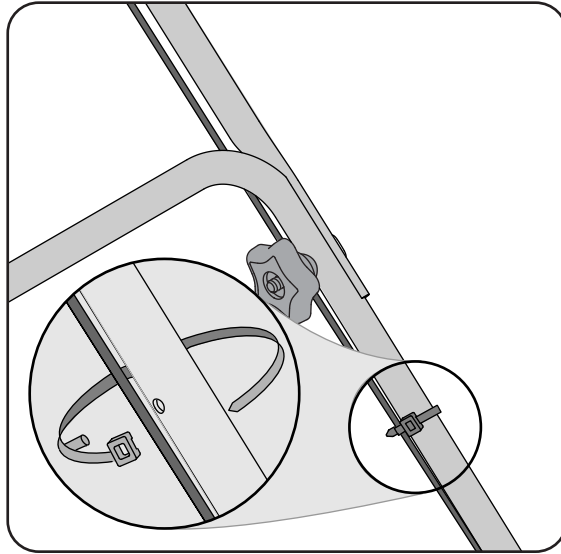


Figure 4

5. Each wheel has a height adjustment lever to change the cutting height of the mower. To change the height of cut, squeeze adjuster lever toward the wheel, moving up or down to selected height. See Figure 5.

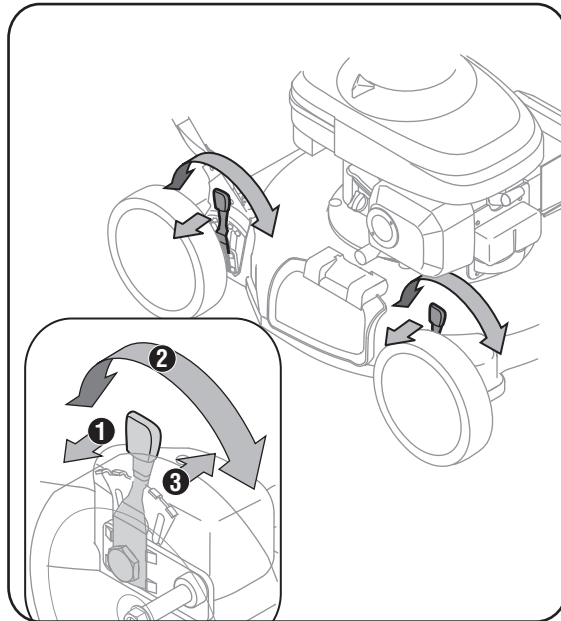


Figure 5

6. Your mower has been shipped as a mulcher. To discharge grass to the side, lift mulching plug. Slide the two hooks on the side discharge deflector under the hinge pin on the mulching plug assembly, see Figure 6. Lower the mulching plug.

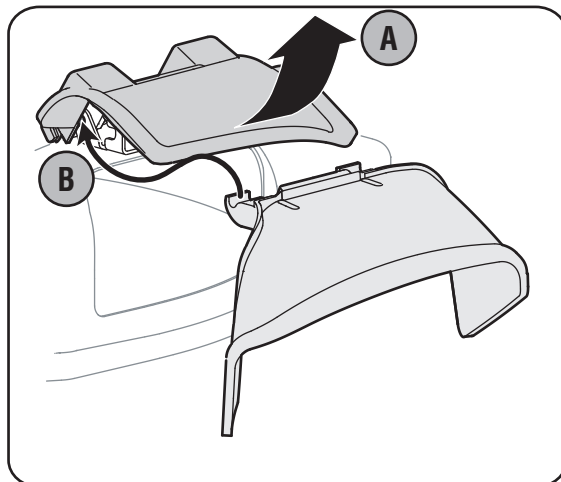


Figure 6

3

Setup and Adjustments



NOTE: All wheels must be in the same height of cut.

When cutting in heavy or moist grass, the rear of the lawnmower may be raised higher to allow better discharge of the grass.

4

Operating Your Lawn Mower



WARNING

Read, understand, and follow all instructions and warnings on the machine and in this manual before operating.

This blade control mechanism is a safety device. Never attempt to bypass its operations.

Use extreme care when handling gasoline. Gasoline is extremely flammable and the vapors are explosive. *Never* fuel the machine indoors or while the engine is hot or running. Extinguish cigarettes, cigars, pipes and other sources of ignition.

Know Your Lawn Mower

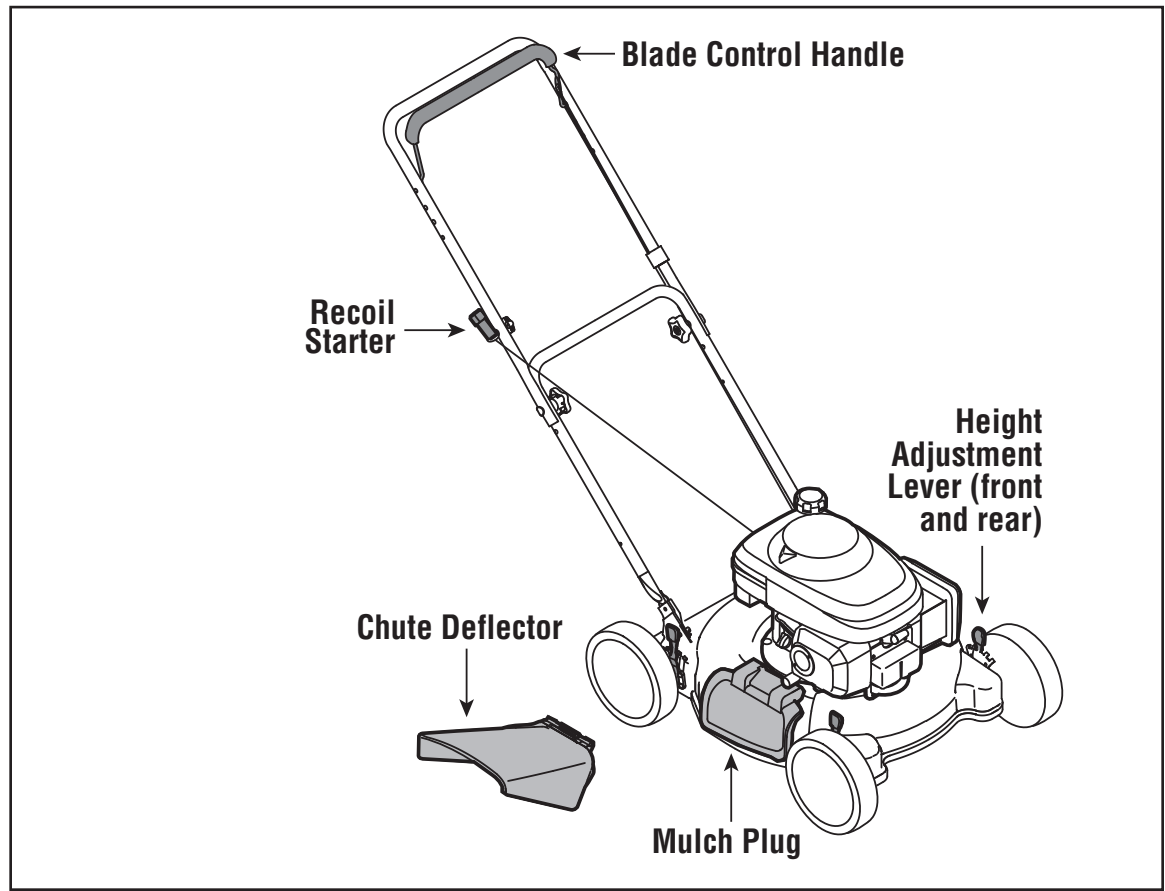


Figure 8

Blade Control Handle

The blade control handle is located on the upper handle of the mower. See Figure 8. The blade control handle must be depressed in order to operate the unit. Release the blade control handle to stop the engine and blade.

Recoil Starter

The recoil starter is attached to the right upper handle. Stand behind the unit and pull the recoil starter rope to start the unit.

Mulching Plug

The mulching plug is used to recirculate grass clippings back to the lawn. Attach it as instructed on page 7 of this manual.

Cutting Height Adjustment Levers

One adjustment lever is located on each wheel and is used to adjust the cutting height. All four levers have to be at the same relative position to ensure uniform cut.

Before Starting

1. Service the engine with gasoline and oil as instructed in the separate engine manual.
2. Attach spark plug wire to spark plug. If unit is equipped with a rubber boot over the end of the spark plug wire, make certain the metal loop on the end of the spark plug wire (inside the rubber boot) is fastened securely over the metal tip on the spark plug.

To Start Engine

Refer to the separate engine manual packed with your unit.

1. Place the fuel valve lever found on the left side of the engine into the ON (OPEN) position, Figure 9.
2. Move the choke lever all the way backward into the choke position.

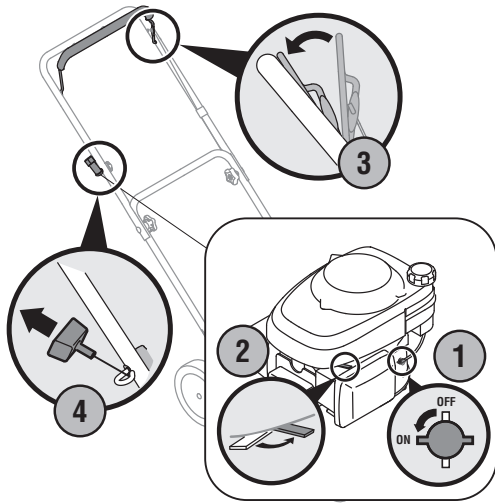


Figure 9

3. Standing behind the mower, squeeze the blade control against upper handle, Figure 9. The choke will now begin to slowly return to the off choke position after activating the blade control. Therefore, quickly move onto step four below.
4. Grasp the starter handle as shown and pull slowly until resistance is felt, then pull rapidly to start engine and avoid kickback. Return it slowly to the rope guide.



WARNING: Wait for the blade to stop completely before performing any work on the mower or to remove the grass catcher.

To Stop Engine :

1. Release the blade control handle to stop the engine and blade.



WARNING: The blade continues to rotate for a few seconds after the engine is shut off.

2. Disconnect and ground the spark plug wire as instructed in the separate engine manual to prevent accidental starting while equipment is unattended.

Using Your Lawn Mower

Be sure the lawn is clear of stones, sticks, wire, or other objects which could damage the lawn mower or the engine. Such objects could be accidentally thrown by the mower in any direction and cause serious personal injury to the operator and others.



WARNING: If you strike a foreign object, stop the engine. Remove wire from the spark plug, thoroughly inspect the mower for any damage, and repair the damage before restarting and operating the mower. Extensive vibration of the mower during operation is an indication of damage. The unit should be promptly inspected and repaired.

Operating Tips

1. For best results and effective mulching, do not cut wet grass.
2. New grass, thick grass, or wet grass may require a narrower cut.
3. For a healthier lawn, never cut off more than one-third of the total length of the grass.
4. Your lawn should be cut in the fall as long as there is growth.
5. Adjust ground speed according to condition of lawn.
6. If the grass has been allowed to grow in excess of 4 inches, mulching is not recommended. Mow using the side discharge to reduce the grass height to 3-1/4 inches or less before mulching.

4

Operating Your Lawn Mower



WARNING

The operation of any lawn mower can result in foreign objects being thrown into the eyes, which can damage your eyes severely. Always wear safety glasses while operating the mower, or while performing any adjustments or repairs on it.

Be sure no one other than the operator is standing near the lawn mower while starting engine or operating mower. Never run engine indoors or in enclosed, poorly ventilated areas. Engine exhaust contains carbon monoxide, an odorless and deadly gas. Keep hands, feet, hair and loose clothing away from any moving parts on engine and lawn mower.

5

Maintenance



WARNING

Always stop engine, disconnect spark plug, and ground against engine before cleaning, lubricating or doing any kind of maintenance on your machine.



We do not recommend the use of pressure washers or garden hose to clean your unit. These may cause damage to electrical components, spindles, pulleys, bearings, or the engine. The use of water will result in shortened life and reduce serviceability.

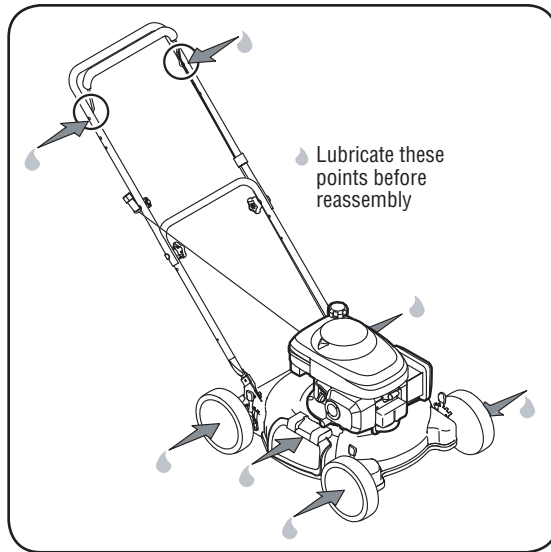


Figure 10

General Recommendations

1. Always observe safety rules when performing any maintenance.
2. The warranty on this lawn mower does not cover items that have been subjected to operator abuse or negligence. To receive full value from warranty, operator must maintain the lawn mower as instructed here.
3. Changing of engine-governed speed will void engine warranty.
4. All adjustments should be checked at least once each season.
5. Periodically check all fasteners and make sure these are tight.

Lubrication

1. Lubricate the pivot points on the blade control handle at least once a season with light oil. The blade control must operate freely in both directions. See Figure 10.
2. If your mower is equipped with ball bearing wheels, lubricate at least once a season with a light oil, all other types require no lubrication. However, if the wheels are removed for any reason, lubricate the surface of the axle bolt and the inner surface of the wheel with light automotive oil.
3. Lubricate the torsion spring and pivot point periodically with light oil to prevent rust. See Figure 10.
4. Follow the accompanying engine manual for lubrication schedule and instruction.

Engine

1. Refer to the separate engine manual for engine maintenance instructions.
2. Maintain engine oil as instructed in the separate engine manual packed with your unit. Read and follow instructions carefully.
3. Under normal conditions service air cleaner as instructed in the separate engine manual packed with your unit. Clean every few hours under extremely dusty conditions. Poor engine performance and flooding usually indicates that the air cleaner should be serviced.
4. The spark plug should be cleaned and the gap reset once a season. Spark plug replacement is recommended at the start of each mowing season; check engine manual for correct plug type and gap specifications.

NOTE: This spark ignition system meets all requirements of the Canadian Interference-Causing Equipment Regulations.

5. Clean the engine regularly with a cloth or brush. Keep the cooling system (blower housing area) clean to permit proper air circulation which is essential to engine performance and life. Be certain to remove all grass, dirt and combustible debris from muffler area.

Deck

The underside of the mower deck should be cleaned after each use to prevent a buildup of grass clippings, leaves, dirt or other matter. If this debris is allowed to accumulate, it will invite rust and corrosion, and may prevent proper mulching. The deck may be cleaned by tilting the mower and scraping clean with a suitable tool (make certain the spark plug wire is disconnected).

NOTE: If unit is tipped for easier access to blade or belt, tip mower as specified in separate engine manual. If it does not specify turn mower on its side making sure that the air filter and the carburetor are up.

Blade Care



WARNING: When removing the cutting blade for sharpening or replacement, protect your hands with a pair of heavy gloves or use a heavy rag to hold the blade.

Periodically inspect the blade adapter for cracks, especially if you strike a foreign object. Replace when necessary. Follow the steps below for blade service:

1. Disconnect spark plug wire from spark plug.
 2. Tip mower as specified in separate engine manual. If it does not specify turn mower on its side making sure that the air filter and the carburetor are up.
 3. Remove the bolt and the blade bell support which hold the blade and the blade adapter to the engine crankshaft. See Figure 11.
 4. Remove blade and adapter from the crankshaft.
 5. The blade may be resharpened by removing it and either grinding or filing the cutting edge keeping as close to the original bevel as possible. Do not attempt to sharpen the blade while it is still on the mower.
 6. It is **extremely important** that each cutting edge receives an equal amount of grinding to prevent an unbalanced blade.
- NOTE:** Improper blade balance will result in excessive vibration causing eventual damage to the engine and mower. Be sure to carefully balance blade after sharpening. Possible damage resulting from blade unbalance condition is not the responsibility of the manufacturer.
- NOTE:** Always remove blade from the adapter for testing balance.
7. The blade can be tested for balance by balancing it on a round shaft screwdriver. Remove metal from the heavy side until it balances evenly.
 8. Before reassembling the blade and the blade adapter to the unit, lubricate the engine crankshaft and the inner surface of the blade adapter with light oil.

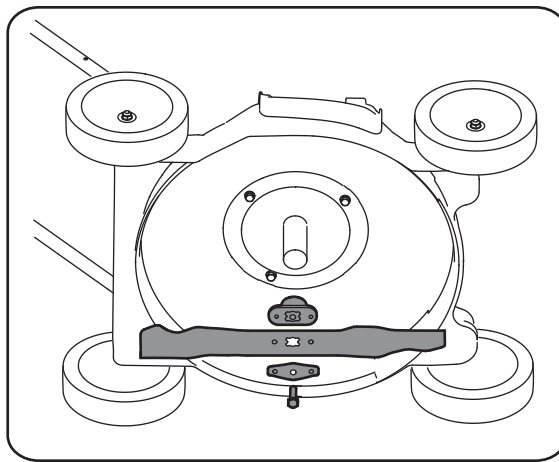


Figure 11

9. Install the blade adapter on the crankshaft with the “star” away from the engine. See Figure 11. Place the blade with the side marked “bottom” (or with part number) facing away from the adapter. Align the blade bell support over the blade with the tabs in the holes of the blade and insert the hex bolt.
10. Tighten the hex bolt to the torque listed below:

Blade Mounting Torque

Center Bolt 450 in. lb. min., 600 in.lb. max.

To insure safe operation of your unit, ALL nuts and bolts must be checked periodically for correct tightness.

Off-Season Storage

The following steps should be taken to prepare your lawn mower for storage.

1. Clean and lubricate mower thoroughly as described in the lubrication instructions.
2. We do not recommend the use of a pressure washer or garden hose to clean your unit.
3. Refer to engine manual for correct engine storage instructions.
4. Coat mower's cutting blade with chassis grease to prevent rusting.
5. Store mower in a dry, clean area. Do not store next to corrosive materials, such as fertilizer.

NOTE: When storing any type of power equipment in a poorly ventilated or metal storage shed, care should be taken to rust-proof the equipment. Using a light oil or silicone, coat the equipment, especially cables and all moving parts of your lawn mower before storage.

5

Maintenance



WARNING

When removing the cutting blade for sharpening or replacement, protect your hands with a pair of heavy gloves or use a heavy rag to hold the blade.

An unbalanced blade will cause excessive vibration when rotating at high speeds. It may cause damage to mower, and could break causing personal injury.



Cutting grass in sandy soil condition causes abrasive wear to the blade.

6

Trouble Shooting



For repairs beyond the minor adjustments listed here, contact an authorized service dealer.

Problem	Cause	Remedy
Engine fails to start	<ol style="list-style-type: none"> 1. Blade control handle disengaged. 2. Spark plug wire disconnected. 3. Fuel tank empty or stale fuel. 4. Engine not primed. 5. Faulty spark plug. 6. Blocked fuel line. 7. Engine flooding. 	<ol style="list-style-type: none"> 1. Engage blade control handle. 2. Connect wire to spark plug. 3. Fill tank with clean, fresh gasoline. 4. Refer to engine manual. 5. Clean, adjust gap, or replace. 6. Clean fuel line. 7. Wait a few minutes to restart, but do not prime.
Engine runs erratic	<ol style="list-style-type: none"> 1. Spark plug wire loose. 2. Blocked fuel line or stale fuel. 3. Gas cap vent plugged. 4. Water or dirt in fuel system. 5. Dirty air cleaner. 6. Carburetor out of adjustment. 	<ol style="list-style-type: none"> 1. Connect and tighten spark plug wire. 2. Clean fuel line; fill tank with clean, fresh gasoline. 3. Clear vent. 4. Drain fuel tank and carburetor. Refill with fresh fuel. 5. Refer to engine manual. 6. Refer to engine manual.
Engine overheats	<ol style="list-style-type: none"> 1. Engine oil level low. 2. Dirty air filter. 3. Air flow restricted. 4. Carburetor not adjusted properly. 	<ol style="list-style-type: none"> 1. Fill crankcase with proper oil. 2. Refer to the engine manual packed with your unit. 3. Remove blower housing and clean. 4. Refer to engine manual.
Occasional skip (hesitates) at high speed	<ol style="list-style-type: none"> 1. Spark plug gap too close. 2. Carburetor idle mixture adjustment improperly set. 	<ol style="list-style-type: none"> 1. Adjust gap to .030". Refer to engine manual. 2. Refer to engine manual.
Idles poorly	<ol style="list-style-type: none"> 1. Spark plug fouled, faulty or gap too wide. 2. Carburetor improperly adjusted. 3. Dirty air cleaner. 	<ol style="list-style-type: none"> 1. Reset gap to .030" or replace spark plug. Refer to engine manual. 2. Refer to engine manual. 3. Refer to engine manual.
Excessive vibration	<ol style="list-style-type: none"> 1. Cutting Blade loose or unbalanced. 2. Bent cutting blade. 	<ol style="list-style-type: none"> 1. Tighten blade and adapter. Balance blade 2. Replace blade.
Mower will not mulch grass	<ol style="list-style-type: none"> 1. Wet grass. 2. Excessive high grass. 3. Dull blade. 	<ol style="list-style-type: none"> 1. Do not mow when grass is wet; wait until later to cut. 2. Mow once at a high cutting height, then mow again at desired height or make a narrower cutting path. 3. Sharpen or replace blade.
Uneven cut	<ol style="list-style-type: none"> 1. Wheels not positioned correctly. 2. Dull blade. 	<ol style="list-style-type: none"> 1. Place all four wheels in same height position. 2. Sharpen or replace blade.

TWO YEAR SUPREME WARRANTY:

For two years from date of retail purchase within Canada, MTD PRODUCTS LIMITED will, at its option, repair or replace, for the original purchaser, free of charge, any part or parts found to be defective in material or workmanship. This warranty covers units which have been operated and maintained in accordance with the owner's instructions furnished with the unit, and which have not been subject to misuse, abuse, commercial use, neglect, accident improper maintenance or alteration. Normal wear parts or components thereof are subject to special terms as noted below in the Ninety Day Consumer Warranty clause.

The engine, starter motor or component parts thereof carry separate warranties from their manufacturers. Please refer to the applicable manufacturer's warranty policy for these items.

Ninety Day Consumer Warranty on Normal Wear Parts: All normal wear part failures will be covered on this product for a period of 90 days. After 90 days but within the two year warranty period, normal wear part failures will be covered if caused by defects in material or workmanship of other component parts. Normal wear parts are defined as batteries, belts, blades, blade adaptors, grass bags, rider deck wheels, seats, tires and clutch parts (friction wheels).

Full Ninety Day Warranty on Battery (if equipped): For ninety (90) days from the date of retail purchase, if any battery included with this unit proves defective in material or workmanship and our testing determines the battery will not hold a charge, MTD PRODUCTS LIMITED will replace the battery at no charge to the original purchaser.

Additional Limited Thirty Day Warranty on Battery (if equipped): After ninety (90) days but within one hundred twenty (120) days from the date of purchase, MTD PRODUCTS LIMITED will replace the defective battery, for the original purchaser, for a cost of one-half (½) of the current retail price of the battery in effect at the date of return.

Personal use: THE FOREGOING PARAGRAPHS CONSTITUTE THE MANUFACTURER'S ENTIRE WARRANTY WITH RESPECT TO ANY PRODUCT PURCHASED AND USED FOR PERSONAL FAMILY, HOUSEHOLD/RESIDENTIAL PURPOSES, AS DISTINGUISHED FROM COMMERCIAL USAGE.

Commercial use: ALL APPLICATIONS OTHER THAN PERSONAL USE AS OUTLINED ABOVE, ARE CONSIDERED COMMERCIAL USAGE.

New products purchased for commercial usage are warranted in the same manner and to the same extent EXCEPT the term of warranty will be 90 DAYS from date of purchase.

How to Obtain Service: Warranty service is available, with proof of purchase, through your local MTD Authorized Service Dealer. If you do not know the dealer in your area, please write to the Service Department of MTD PRODUCTS LIMITED, P.O. BOX 1386, KITCHENER, ONTARIO N2G 4J1. The return of a complete unit will not be accepted by the factory unless prior written permission has been extended by MTD PRODUCTS LIMITED.

Other Warranties: All other warranties, express or implied, including any implied warranty of merchantability is limited in its duration to that set forth in this express limited warranty. The provisions as set forth in this warranty provide the sole and exclusive remedy of MTD PRODUCTS LIMITED obligations arising from the sale of its products. MTD PRODUCTS LIMITED will not be liable for incidental or consequential loss or damage.

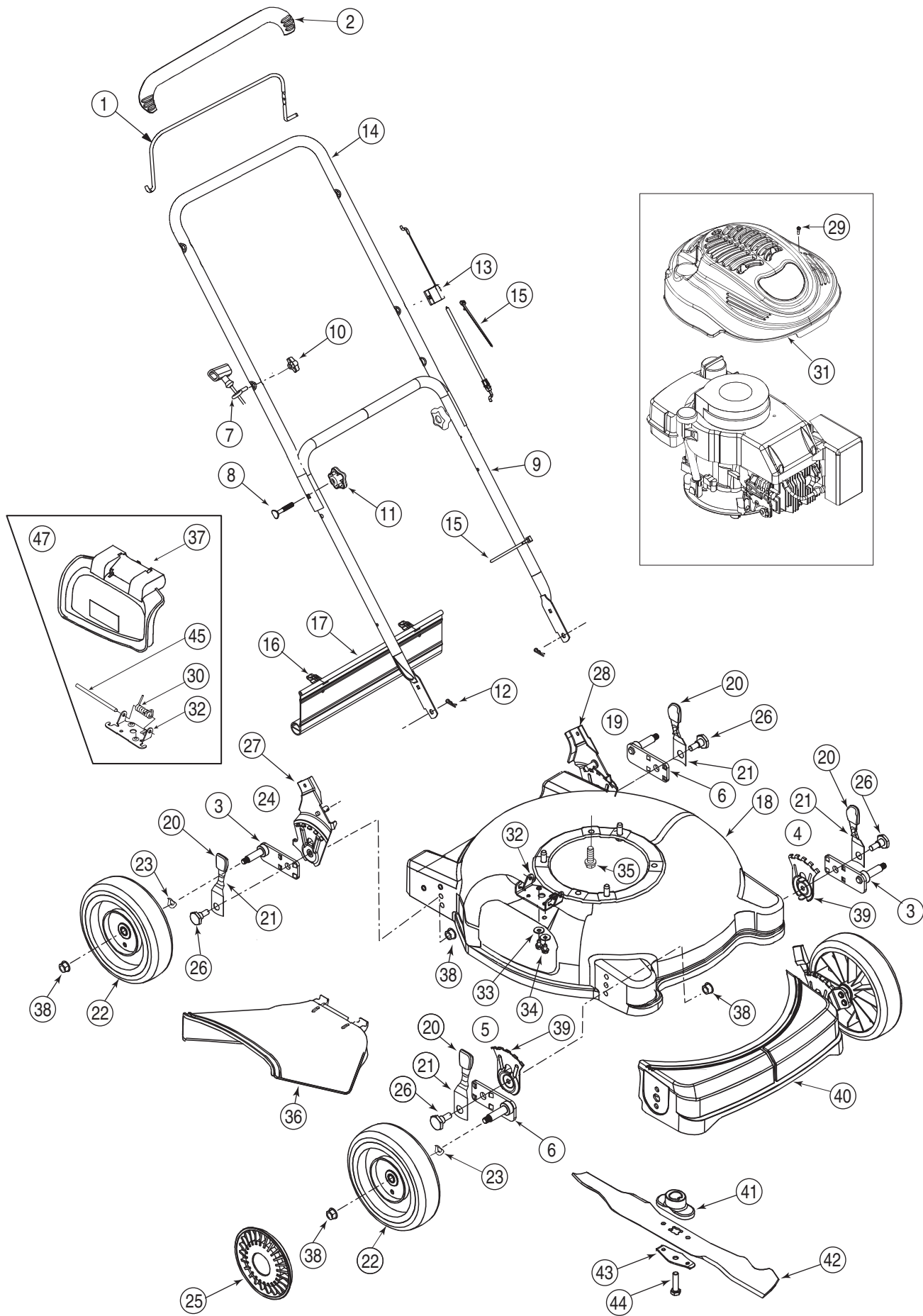
7

Warranty



Failure to comply with suggested maintenance and lubrication specifications will void warranty.

06.18.06



REF NO. N° DE RÉF	PART NO. N° DE PIÈCE	DESCRIPTION	DESCRIPTION
1	747-1161A	Blade Control Handle	Poignée de la commande
2	731-2626	Deluxe Cover - Black	Couvercle - noir
	731-04204	Deluxe Cover - Red	Couvercle - rouge
	731-04859	Deluxe Cover - Grey	Couvercle - gris
3	687-02338	Pivot Arm LH	Bras de pivotement - droit
4	687-02075B	Hgt. Adjust Ass'y LH	Réglage de hauteur - gauche
5	687-02074B	Hgt. Adjust Ass'y RH	Réglage de hauteur - droit
6	687-02337	Pivot Arm RH	Bras de pivotement - droit
7	710-1205	Rope Guide Bolt	Boulon de guidage de cordon
8	710-1174	Carriage Bolt 5/16-18 x 2.0	Boulon ordinaire 5/16-18 x 2,0
9	749-0928B	Lower Handle	Guidon inférieur
10	720-0279	Knob - ERS Guide 1/4-20	Bouton - 1/4-20
11	720-04072	Knob - Star 5/16-18	Bouton - étoile 5/16-18
12	714-0104	Int. Cotter Pin .072 x 1.13" Lg.	Goupille fendue 0,072 x 1,13 po. de lg.
13	746-1137	Control Cable 53.0" Lg. (Tec)	Câble de la commande 53,0 po (Tec)
	746-04104	Control Cable 40.0" Lg. (Kawasaki)	Câble de la commande 40,0 po (Kawasaki)
	746-0957	Control Cable 37.25 " Lg. (Honda)	Câble de la commande 37,25 po (Honda)
14	749-1092A	Upper Handle	Guidon supérieur
15	726-0240	Cable Tie	Attache câble
16	731-04019	Rear Flap	Abattant de protection arrière
17	17098	Hinge Clip	Attache
18	682-0139	Deck Assembly	Plateau de coupe
19	687-02107	Rear Hgt. Adjust Ass'y LH	Réglage de hauteur-gauche arrière
20	720-0426	Knob	Bouton
21	732-0404	Spring Lever	Levier de ressort
22	734-2004A	Wheel Ass'y 8" x 2.125" Idle BB	Ensemble de roue 8 x 2,125 po
	734-04033	Wheel Ass'y 8" x 2.0" S-Wave BB	Ensemble de roue 8 x 2,0 po
23	736-0504	Wave Washer .51" ID (w/bb wheels)	Rondelle ondulée 0,51 DI (avec roulement à billes)
24	687-02106	Rear Hgt. Adjust Ass'y RH	Réglage de hauteur - droit arrière
25	731-1426A	Hub Cap - Yellow Radial (optional)	Moyeu de chapeau - jaune (en option)
	731-0981A	Hub Cap - Grey Radial (optional)	Moyeu de chapeau - gris (en option)
	731-0982A	Hub Cap - Grey Radial (optional)	Moyeu de chapeau - gris (en option)
26	738-04266	Shoulder Screw .50 Dia. x .385	Vis à épaulement 0,50 Dia. x 0,385
27	687-02180	Adjust/Brkt. Ass'y RH	Support - droit
28	687-02179	Adjust/Brkt. Ass'y LH	Support - gauche
29	7510042823	Screw	Vis
30	732-0731	Torsion Spring	Ressort de torsion
31	731-04525	Shroud - Yellow	Capot - jaune
32	782-7006	Hinged Adapter	Adaptateur
33	736-0270	Cupped Washer .265 ID x .75 OD	Rondelle creuse 0,265 DI x 0,75 DE
34	710-0599	Hex Wash S-Tapp Scr 1/4-20 x .50	Vis taraudée
35	710-0654A	Hex Wash HD Tap Scr 3/8-16 x .88	Vis autotaraudée 3/8-16 x 0,88
36	731-1409B	Chute Deflector	Déflexeur
37	731-1501A	Mulching Plug	Boucon de déchetage
38	712-04065	Flanged Lock Nut 3/8-16 Gr. F	Écrou de blocage 3/8-16 Qual. F
39	787-01290A	Height Adjuster Plate	Plaque de réglage de roue
40	731-1933	Front End Cover -Yellow (optional)	Couvercle-jaune (en option)
	731-1949	Front End Cover-Black (optional)	Couvercle-noir (en option)
41	748-04096	Blade Adapter	Adaptateur de la lame
42	742-0740	20" Mulching Blade	Lame 20 po
43	736-0524B	Blade Bell Support	Support de lame
44	710-1044	Hex Bolt 3/8-24 x 1.5" Lg. (Grade 8)	Vis à tête hex. 3/8-24 x 1,50 po de lg (Qual. 8)
45	747-0710	Hinge Pin	Axe fixe
47	682-7002	Hinged Mulching Plug Ass'y	Ensemble de bouchon de déchetage à charnière

106/700
10.30.07

8

Parts List Pièces détachées



For parts and/or accessories refer to customer support on page 2.

Adressez-vous au «Service après-vente» à la page 2 pour ce qui concerne les pièces et/ou accessoires.

GARANTIE SUPRÊME DE DEUX ANS

MTD PRODUCTS LIMITED s'engage à réparer ou à remplacer gratuitement, à son choix, à l'acheteur initial, la ou les pièces qui s'avèrent défectueuses en raison d'un vice de matière ou de fabrication dans les deux ans qui suivent la date d'achat au détail au Canada. Cette garantie s'applique seulement aux machines qui ont été utilisées et entretenues conformément aux instructions publiées dans la notice d'utilisation accompagnant la machine, qui n'ont pas fait l'objet d'un emploi incorrect ou abusif, de négligence, d'un entretien inadéquat ou de modification, qui n'ont pas été accidentées et qui n'ont pas été utilisées à des fins commerciales. Les pièces courantes font l'objet de conditions spéciales énumérées ci-dessous dans la clause «Garantie de quatre-vingt-dix jours au consommateur».

Le moteur, le moteur de démarrage ainsi que ses composants font l'objet d'une garantie séparée de leurs fabricants respectifs. Veuillez consulter les conditions de garantie du fabricant en ce qui concerne ces pièces.

«Garantie de quatre-vingt-dix jours au consommateur» des pièces courantes: Toutes les pièces courantes sont protégées pendant 90 jours. À l'expiration du délai de 90 jours, mais avant la fin de la période de garantie de deux ans, les pièces courantes sont protégées si leur détailliance résulte du vice de matière ou de fabrication d'une autre pièce. Par pièces courantes, on entend les batteries, les courroies, les lames, les adaptateurs de lame, les sacs à herbe, les roues du plateau de coupe des tondeuses à siège, les sièges, les pneus et les pièces de l'embrayage (roues de trottement).

Garantie complète de quatre-vingt-dix jours sur la batterie (le cas échéant): MTD s'engage à remplacer gratuitement à l'acheteur initial, pour une période de quatre-vingt-dix (90) jours à compter de la date d'achat au détail, toute batterie fournie avec cette machine qui s'avère défectueuse en raison d'un vice de matière ou de fabrication et après que nos tests aient confirmé qu'elle ne peut maintenir une charge.

Garantie limitée supplémentaire de trente jours sur la batterie (le cas échéant): MTD s'engage, à l'expiration de la période de quatre-vingt-dix (90) jours et avant la fin d'une période de cent vingt (120) jours à compter de la date d'achat, à remplacer la batterie défectueuse à l'acheteur initial, pour la moitié (1/2) du prix de détail en vigueur de la batterie à la date du retour de celle-ci.

Utilisation personnelle: LES PARAGRAPHES PRÉCÉDENTS CONSTITUENT LA GARANTIE COMPLÈTE DU FABRICANT COUVRANT TOUTE MACHINE ACHETÉE ET UTILISÉE À DES FINS PERSONNELLES, FAMILIALES, DOMESTIQUES/RÉSIDENTIELLES ET NON COMMERCIALES.

Utilisation commerciale: TOUTES LES UTILISATIONS AUTRES QUE L'UTILISATION PERSONNELLE TELLE QUE DÉCRITE CI-DESSUS SONT CONSIDÉRÉES COMMERCIALES.

Les machines neuves achetées à des fins commerciales sont garanties de la même manière et dans les mêmes conditions, MAIS pour une durée de 90 jours à compter de la date d'achat.

Pour obtenir le service sous garantie: Tout concessionnaire-réparateur agréé par MTD est en mesure d'assurer tout service sous garantie sur présentation d'une preuve d'achat. Si vous ne connaissez pas le concessionnaire-réparateur de votre localité, adressez-vous au service après-vente, MTD PRODUCTS LIMITED, C. P. 1386, KITCHENER (ONTARIO) N2G 4J1. Une machine complète ne peut être retournée à l'usine que si elle est accompagnée d'une autorisation écrite préalable de MTD PRODUCTS LIMITED.

Autres garanties: Toutes les autres garanties, exprimées ou tacites, y compris les garanties tacites de qualité marchande, se limitent à la durée stipulée dans la garantie limitée exprimée. Les conditions stipulées dans cette garantie représentent les seules obligations de MTD PRODUCTS LIMITED découlant de la vente de ses produits. MTD PRODUCTS LIMITED n'est pas responsable de toute perte ni de tout dommage indirect ou accidentel.

11.1.06



Garantie



Le non-respect des conseils d'entretien et de lubrification annule la garantie.

6

Dépannage



Pour toute réparation autre que les ajustements mineurs énumérés ici, adressez-vous à la station technique agréée.

Problème	Cause	Solution
Le moteur ne démarre pas.	<ol style="list-style-type: none"> 1. La poignée de commande de la lame n'est pas embrayée. 2. Fil de la bougie débranché. 3. Le réservoir est vide ou l'essence est éventée. 4. Moteur non amorcé. 5. La bougie est détectueuse. 6. Canalisation de carburant bouchée. 7. Le moteur est noyé. 	<ol style="list-style-type: none"> 1. Embrayez la poignée de commande de la lame. 2. Branchez le fil à la bougie. 3. Faites le plein avec une essence propre et fraîche. 4. Consultez la notice d'utilisation du moteur. 5. Nettoyez, réglez l'écartement ou remplacez la bougie. 6. Nettoyez la canalisation. 7. Attendez quelques minutes avant d'essayer de faire démarrer le moteur.
Le moteur tourne irrégulièrement.	<ol style="list-style-type: none"> 1. Fil de la bougie desserré. 2. La canalisation de carburant est bouchée ou l'essence est éventée. 3. Levent du capuchon du réservoir est bouché. 4. De l'eau ou une saleté est présente dans le système. 5. Le filtre à air est sale. 6. Le carburateur est mal réglé. 	<ol style="list-style-type: none"> 1. Branchez et serrez le fil de la bougie. 2. Nettoyez la canalisation. Faites le plein avec une essence propre et fraîche. 3. Débouchez l'évent. 4. Videz le réservoir à carburant. Faites le plein avec une essence fraîche. 5. Consultez la notice d'utilisation du moteur. 6. Consultez la notice d'utilisation du moteur.
Le moteur tourne irrégulièrement.	<ol style="list-style-type: none"> 1. La bougie est sale, détectueuse ou l'écartement est trop grand. 2. Le carburateur est mal réglé. 3. Le filtre à air est sale. 	<ol style="list-style-type: none"> 1. Réglez l'écartement à 0,030 po ou remplacez la bougie. Consultez la notice d'utilisation du moteur. 2. Consultez la notice d'utilisation du moteur. 3. Consultez la notice d'utilisation du moteur.
Le moteur hésite parfois à régime élevé.	<ol style="list-style-type: none"> 1. L'écartement de la bougie est trop petit. 2. Mélange du ralenti du carburateur mal réglé. 	<ol style="list-style-type: none"> 1. Réglez l'écartement à 0,030 po. Consultez la notice d'utilisation du moteur. 2. Consultez la notice d'utilisation du moteur.
Le moteur tourne irrégulièrement.	<ol style="list-style-type: none"> 1. La bougie est sale, détectueuse ou l'écartement est trop grand. 2. Le carburateur est mal réglé. 3. Le filtre à air est sale. 	<ol style="list-style-type: none"> 1. Réglez l'écartement à 0,030 po ou remplacez la bougie. Consultez la notice d'utilisation du moteur. 2. Consultez la notice d'utilisation du moteur. 3. Consultez la notice d'utilisation du moteur.
Vibrations excessives.	<ol style="list-style-type: none"> 1. La lame est desserrée ou mal équilibrée. 2. La lame est déformée. 	<ol style="list-style-type: none"> 1. Serrez la lame et l'adaptateur. Équilibrez la lame. 2. Remplacez la lame.
La tondeuse ne déchiquette pas l'herbe.	<ol style="list-style-type: none"> 1. L'herbe est mouillée. 2. L'herbe est trop haute. 3. La lame est émoussée. 	<ol style="list-style-type: none"> 1. Ne tondez pas quand l'herbe est mouillée. Attendez qu'elle sèche. 2. Coupez l'herbe à un réglage élevé, puis tondez à nouveau à la hauteur voulue ou sur une largeur plus étroite. 3. Aigüisez ou remplacez la lame.
La coupe est irrégulière.	<ol style="list-style-type: none"> 1. Les roues ne sont pas bien positionnées. 2. La lame est émoussée. 	<ol style="list-style-type: none"> 1. Placez les quatre roues à la même hauteur. 2. Aigüisez ou remplacez la lame.

Entretien et remplacement de la lame



AVERTISSEMENT: Portez toujours des gants épais ou utilisez un chiffon épais pour manipuler la lame en la démontant pour l'aiguiser ou la remplacer.

Examinez périodiquement l'adaptateur de lame pour y détecter tout fendillement éventuel, surtout après avoir heurté un objet. Remplacez-le au besoin. Procédez comme suit pour l'entretien de la lame:

1. Débranchez toujours le fil de la bougie.
2. Basculez la tondeuse selon les instructions dans la notice d'utilisation. S'il n'y a pas d'instructions spécifiques, basculez la tondeuse avec le filtre à air et le carburateur sur le haut.
3. Enlevez le boulon et le support de la lame vilebrequin. Voir la Figure 11.
4. Dégagez la lame et l'adaptateur du vilebrequin.
5. Pour l'attacher à nouveau, démontez-la puis meulez ou limpez les bords tranchants en maintenant l'angle aussi près que possible du biseau original. N'essayez pas d'aiguiser la lame encore installée sur la tondeuse.
6. Il est **essentiel** que chaque tranchant soit affûté également pour ne pas avoir une lame déséquilibrée.

REMARQUE: Une lame déséquilibrée cause des vibrations qui peuvent endommager le moteur et la tondeuse. Assurez-vous de bien rééquilibrer la lame après l'aiguisée. Le fabricant de la tondeuse ne peut être tenu responsable des dégâts causés par le mauvais équilibre de la lame.

REMARQUE: Démontez toujours la lame de son adaptateur pour vérifier son bon équilibre.

7. Vous pouvez vérifier l'équilibre de la lame en la plaçant sur un tournevis à tige ronde. Limpez le métal du côté le plus lourd jusqu'à ce que la lame soit parfaitement équilibrée.
8. Avant de remonter la lame et son adaptateur sur la tondeuse, lubrifiez le vilebrequin et la surface intérieure de l'adaptateur avec une huile légère.
9. Placez l'adaptateur de la lame sur le vilebrequin, «l'étoile» à l'opposé du moteur. Voir la Figure 11. Placez la lame, le côté sur lequel

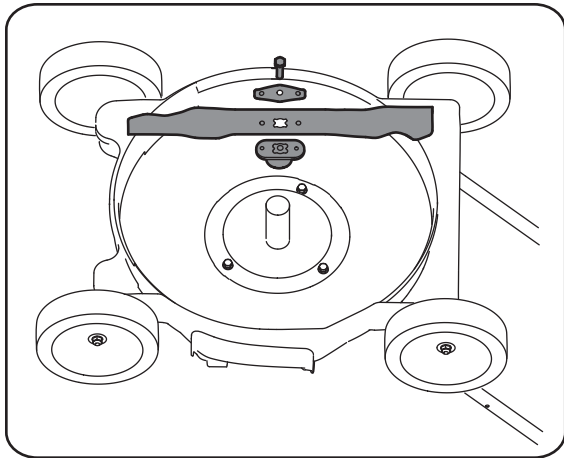


Figure 11

la mention «Bottom» (ou le numéro de pièce) de l'appareil, à l'opposé de l'adaptateur. Alignez le support de la lame sur celle-ci en enfoncez les pattes dans les trous de la lame, puis insérez le boulon hex.

10. Serrez le boulon hex. au couple recommandé ci-dessous:

Couple de montage de la lame

Boulon centrale 450 po-lb min., 600 po-lb max. Vérifiez périodiquement que TOUTS les écrous et boulons de la machine sont bien serrés.

Remisage hors saison

Procédez de la manière suivante pour préparer votre tondeuse pour un entreposage prolongé.

1. Nettoyez et lubrifiez soigneusement la tondeuse selon les instructions de lubrification.
2. L'utilisation d'un nettoyeur sous pression ou d'un boyau d'arrosage pour nettoyer la tondeuse est déconseillée.
3. Consultez la notice d'utilisation du moteur quant aux instructions d'entreposage du moteur.
4. Enduisez la lame de la tondeuse d'une graisse à chassiss pour l'empêcher de rouiller.
5. Entrez la tondeuse dans un endroit sec et propre. Ne la remisez pas près de produits corrosifs, comme des engrais.

REMARQUE: Il est très important de bien protéger le matériel contre la rouille s'il doit être entreposé dans un abri métallique non ventilé. Enduisez toute la machine, en particulier les câbles et toutes les pièces mobiles, avec une huile légère ou de la silicone.

Entretien

5

AVERTISSEMENT



Portez toujours des gants épais ou utilisez un chiffon épais pour manipuler la lame en la démontant pour l'aiguiser ou la remplacer.

Si la lame est déséquilibrée, elle fera vibrer la tondeuse de façon excessive, mais elle pourrait aussi causer des dommages à la tondeuse ou même casser pendant qu'elle tourne, et causer de sérieuses blessures à l'utilisateur.



Le fait de couper l'herbe sur un sol sablonneux provoque l'usure de la lame par abrasion.



Arrêtez toujours le moteur et débranchez le fil de la bougie et mettez-le à la masse contre le moteur avant tout nettoyage, toute lubrification ou autre entretien sur la machine.



L'utilisation d'un nettoyeur pressurisé ou d'un boyaux d'arrosage pour nettoyer la tondeuse est déconseillée. Cela risque en effet d'endommager les composants élec-triques, les fusées, les poulies, les roulements ou le moteur. L'emploi d'eau à tendance à raccourcir la vie de la tondeuse et à limiter sa facilité d'entretien.

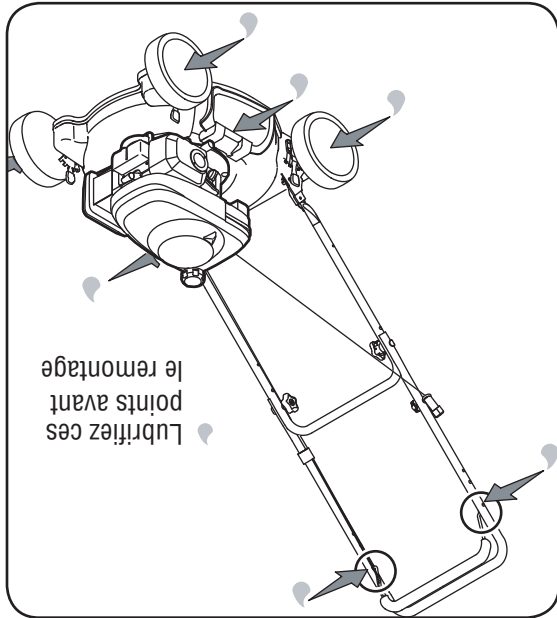


Figure 10

1. Suivez toujours les consignes de sécurité lors de tout entretien.

2. La garantie de cette tondeuse ne s'applique pas à toute pièce qui a fait l'objet d'un emploi abusif ou d'une négligence. Pour bénéficier au maximum de la garantie, l'utilisateur doit entretenir la tondeuse conformément aux instructions de cette notice.

3. La garantie sera nulle et non avenue si une modification est apportée au régulateur du moteur.

4. Vérifiez tous les réglages au moins une fois par saison.

5. Vérifiez régulièrement que toute la boulonnerie est bien serrée.

Lubrification

1. Lubrifiez les points de pivot de la poignée de commande de la lame au moins une fois par saison avec une huile légère. La commande de la lame doit fonctionner facilement dans les deux sens. Voir la Figure 10.

2. Lubrifiez les roulements à billes des roues au moins une fois par saison avec de l'huile fluide, tous les autres genres n'ont pas besoin d'être lubrifiés. Toutefois, si elles doivent être démontées pour une raison quelconque, lubrifiez la surface du boudin d'essieu et la surface intérieure de la roue avec une huile automobile légère.

3. Le ressort de torsion et le point de pivotement doivent être lubrifiés régulièrement avec une huile légère pour empêcher la rouille. Voir la Figure 10.

4. Consultez la notice d'utilisation du moteur pour les instructions de lubrification.

Moteur

1. Consultez la notice d'utilisation du moteur pour tout ce qui concerne l'entretien du moteur.

2. Utilisez l'huile à moteur recommandée dans la notice d'utilisation du moteur fournie avec la tondeuse. Lisez attentivement les instructions et suivez-les.

3. Dans des conditions normales nettoyez le filtre à air recommandée dans la notice d'utilisation du moteur fournie avec la tondeuse. Nettoyez-le à intervalles plus rapprochés dans des conditions très poussiéreuses. Une mauvaise performance du moteur et sa «noyade» sont des indications que le filtre à air doit être nettoyé.

4. Nettoyez la bougie et ajustez l'écartement une fois par saison. Il est recommandé de remplacer la bougie au début de chaque saison. Vérifiez le type de bougie à utiliser et l'écartement correct dans la notice d'utilisation du moteur.

REMARQUE: Ce système d'allumage par étincelle de véhicule respecte toutes les exigences du Règlement sur le matériel brouilleur du Canada.

5. Nettoyez le moteur régulièrement avec un linges ou une brosse. Gardez le système de refroidissement (à proximité du ventilateur) propre pour assurer la bonne circulation d'air essentielle aux bonnes performances et à la longévité du moteur. Enlevez tous les brins d'herbe, la saleté et autres débris combustibles se trouvant à proximité du silencieux.

Plateau de coupe

Nettoyez le dessous du plateau de coupe après chaque utilisation pour empêcher les brins d'herbe, les feuilles ou la saleté de s'y accumuler. Toute accumulation favorise la rouille et la corrosion et peut empêcher le débranchage efficace. Inclinez la tondeuse et grattez le dessous du plateau de coupe avec un outil approprié (après avoir vérifié que la bougie est débranchée) pour nettoyer le plateau de coupe.

REMARQUE: Si la machine est basculée pour permettre un accès plus facile à la lame ou la courroie, basculez la tondeuse selon les instructions dans la notice d'utilisation du moteur. S'il n'y a pas

d'instructions spécifiques, basculez la tondeuse avec le filtre à air et le carburateur sur le haut.

Utilisation de la tondeuse

Vérifiez qu'il n'y a plus de pierres, de morceaux de bois, de fils métalliques ou autres objets sur la pelouse, qui risquent d'endommager la tondeuse ou le moteur. Ces objets pourraient être projetés par la tondeuse dans une direction ou une autre et blesser grièvement le conducteur ou toute autre personne présente.

AVERTISSEMENT: Arrêtez le moteur si vous heurtez un objet quelconque. Débranchez le fil de la bougie, cherchez soigneusement tout signe de dégât à la tondeuse et réparez-la avant de la remettre en marche et de vous en servir. Des vibrations importantes de la tondeuse indiquent des dégâts. Faites examiner et réparer la machine rapidement.



Conseils d'utilisation

1. Pour obtenir les meilleurs résultats et déchiqueter efficacement, ne coupez pas l'herbe mouillée.
2. Une tonte plus étroite peut être nécessaire si l'herbe est nouvelle, drue ou humide.
3. Votre pelouse sera plus saine si vous ne tondez jamais plus d'un tiers de la longueur totale des brins d'herbe.
4. Continuez à tondre la pelouse à l'automne jusqu'à ce qu'elle cesse de pousser.
5. Ajustez la vitesse de déplacement en fonction des conditions de travail.
6. Si l'herbe a été permise de pousser en excès de 4 pouces, le déchiquetage est déconseillé. Utilisez d'abord le déflecteur de la goulotte latérale pour réduire la hauteur de l'herbe à 3-1/4 pouces ou moins, avant de déchiqueter l'herbe.

Utilisation



AVERTISSEMENT



Les objets projetés par une tondeuse peuvent atteindre les yeux et causer des blessures graves. Portez toujours des lunettes de sécurité en utilisant la tondeuse, ou en effectuant tout entretien ou toute réparation.

Assurez-vous que seul le conducteur se trouve à proximité de la tondeuse au moment de sa mise en route ou pendant son utilisation. Ne faites jamais fonctionner la machine dans un local clos et mal aéré, car les gaz d'échappement du moteur contiennent du monoxyde de carbone, un gaz indore très dangereux. N'approchez pas les mains, pieds, cheveux et vêtements lâches des pièces en mouvement du moteur et de la tondeuse.

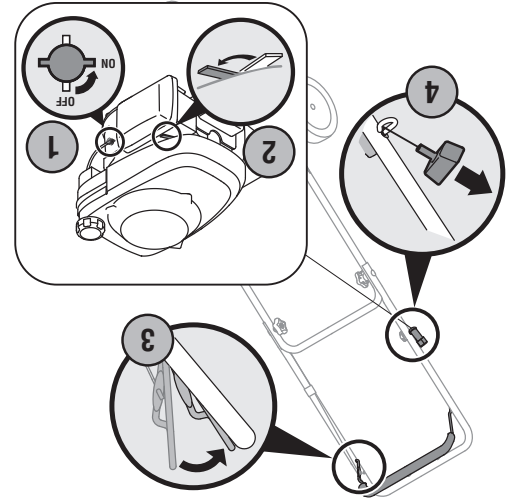


Figure 9

3. Placez-vous derrière la tondeuse et pressez la commande de la lame contre le guidon supérieur, voir la Figure 9. Le volet de départ revient lentement à la position d'origine quand la commande de la lame est actionnée. Passez rapidement au paragraphe 4 ci-dessous.
4. Prenez la poignée du démarreur à l'anneau de la façon illustrée et tirez-la lentement jusqu'à ce que vous sentiez une légère résistance. Tirez alors rapidement pour faire démarrer le moteur et pour éviter le recul. Laissez la poignée revenir lentement jusqu'au boulon de guidage de la corde.



AVERTISSEMENT : Attendez que la lame se soit complètement immobilisée avant de travailler sur la tondeuse ou de retirer le sac à herbe.

1. Lâchez la poignée de commande de la lame pour arrêter le moteur et la lame.
2. Débranchez le fil de la bougie et mettez-le à la masse contre le moteur pour empêcher tout démarrage accidentel lorsque la machine n'est pas surveillée.



AVERTISSEMENT: La lame continue à tourner pendant quelques secondes après que le moteur s'est éteint.

Commandes

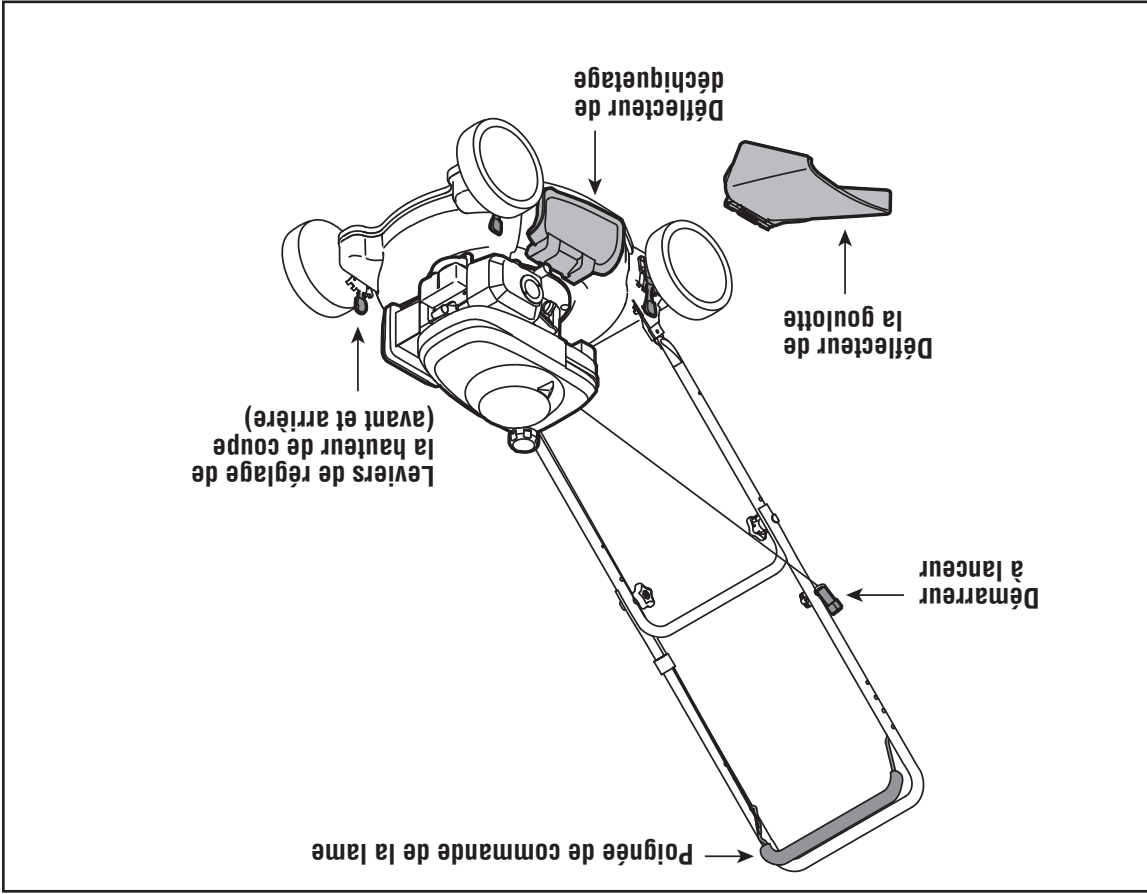


Figure 8

- Avant de faire démarrer le moteur**
1. Faites les pleins d'essence et d'huile selon les instructions fournies dans la notice d'utilisation du moteur qui accompagne l'équipement.
 2. Branchez le fil de la bougie sur cette dernière. Si une gaine en caoutchouc recouvre l'extrémité du fil de la bougie, assurez-vous que la boucle métallique, au bout du fil de la bougie (dans la gaine en caoutchouc), est bien fixée sur l'embout métallique de la bougie.
- Mise en marche du moteur**
1. Placez la manette du robinet à carburant (qui se trouve sur la gauche du moteur) à la position ON (Ouvert). Voir la Figure 9.
 2. Poussez la manette du volet de départ à fond pour actionner le volet de départ.

Poignée de commande de la lame
La poignée de commande de la lame se trouve sur le guidon supérieur de la tondeuse. Voir la Figure 8. Il faut serrer cette poignée contre le guidon pour que la tondeuse fonctionne. Le fait de lâcher la poignée arrête le moteur et la lame.

Démarrateur à lanceur
Il est installé sur la droite du guidon supérieur. Tenez-vous derrière la tondeuse et tirez sur le démarreur à lanceur pour faire démarrer la tondeuse.

Déflecteur de déchiquetage
Il sert à renvoyer les brins d'herbe dans la pelouse. Installez-le de la manière expliquée à la page 7 de cette notice d'utilisation.

Leviers de réglage de la hauteur de coupe
Un levier de réglage de la hauteur se trouve sur chacune des roues. Les quatre leviers doivent se trouver à la même position relative pour assurer une coupe régulière.

AVERTISSEMENT



Utilisation



Lisez, comprenez, et suivez toutes les instructions et les consignes sur la machine et dans ce notice avant le fonctionnement.

Ce mécanisme de commande est un dispositif de sécurité. N'essayez jamais d'éviter son emploi.

Faites très attention en manipulant de l'essence. L'essence est extrêmement inflammable et les vapeurs sont explosif. Ne faites *jamais* le plein d'essence à l'intérieur, pendant que le moteur tourne ou quand le moteur est chaud. Éteignez toute cigarettes ou pipe, tout cigare ou toute autre source incandescente.

6. La tondeuse a été expédiée pour fonctionner comme une tondeuse déchiqueteuse. Pour éjecter l'herbe coupée sur le côté, soulevez la plaque de déchiquetage. Faites glisser les deux crochets du déflecteur d'éjection latérale sous la goupille articulée de la plaque de déchiquetage. Abaissez l'ensemble de déchiquetage.

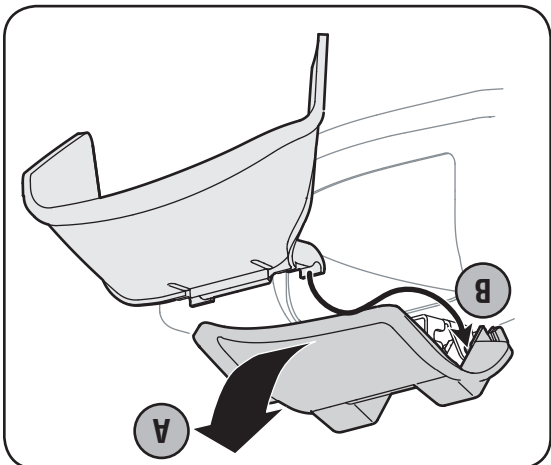


Figure 6

5. Un levier de réglage se trouve sur chacune des roues et permet de modifier la hauteur de coupe de la tondeuse. Pour changer la hauteur de coupe, poussez le levier de réglage des roues vers la roue et déplacez-le vers le haut ou le bas à la hauteur choisie. Voir la Figure 5.

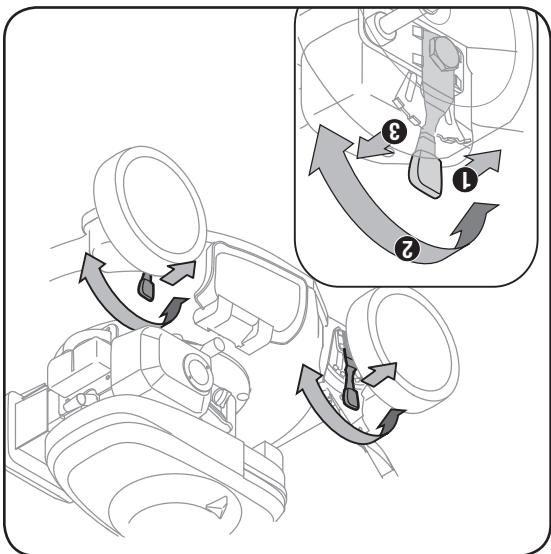


Figure 5

4. Enfonchez les taquets des attache-câbles dans les trous aménagés dans le guidon inférieur. Serrez l'attache-câble et coupez le surplus. Voir la Figure 4.

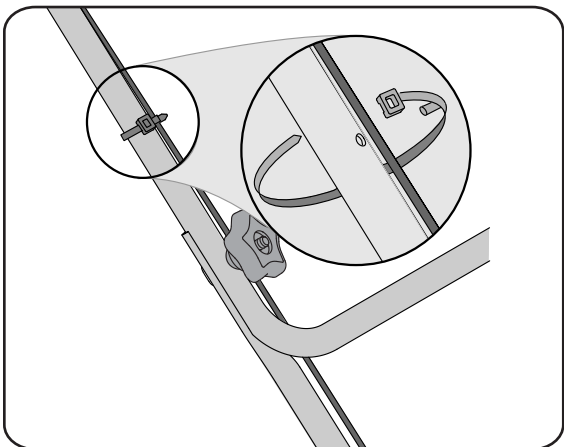


Figure 4

REMARQUE: Pour couper de l'herbe humide ou épaisse, réglez l'arrière de la tondeuse plus haut que l'avant pour permettre une meilleure éjection de l'herbe.

REMARQUE: Toutes les roues doivent être à la même hauteur.



Instructions de montage et réglages

3

3

Instructions de montage et réglages



Ce livret couvre plusieurs modèles de la tondeuse. Les modèles représentés peuvent être légèrement différents de votre tracteur. Suivez les instructions qui s'appliquent à votre tondeuse.

IMPORTANT
Cette machine est expédiée SANS HUILE NI ESSENCE. Après l'assemblage, faites les pleins d'essence et d'huile conformément aux instructions de la notice d'utilisation du moteur fournie avec la machine.

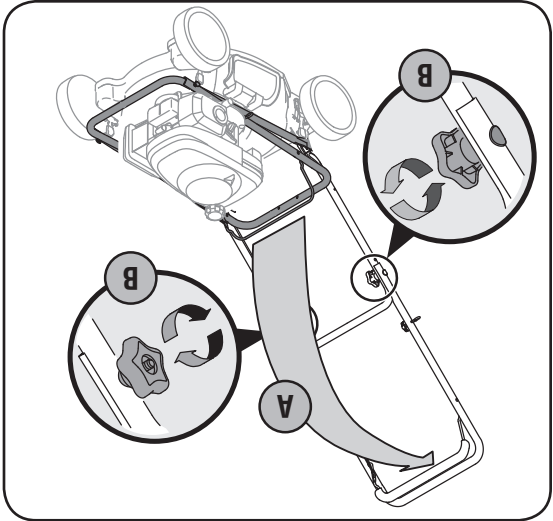


Figure 1

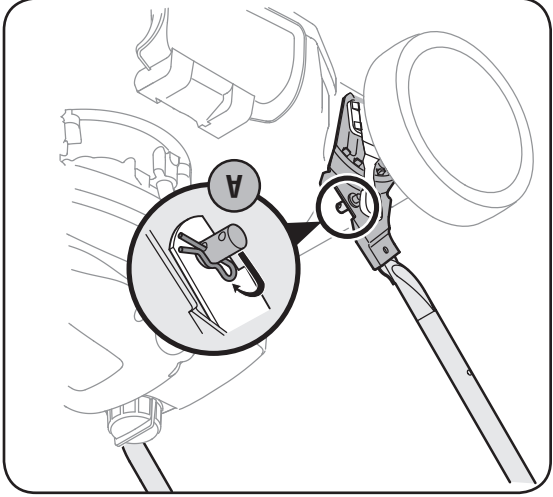


Figure 2

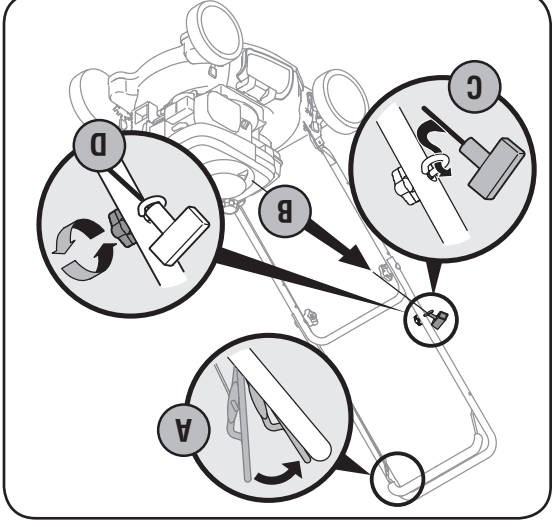


Figure 3

AVERTISSEMENT:
Débranchez le fil de la bougie et mettez-le à la masse conformément aux instructions de la notice d'utilisation du moteur fournie avec la machine.



REMARQUE: Les côtés droit et gauche s'entendent vus de la position de conduite de la machine.

1. Procédez comme suit pour installer le guidon.
a. Redressez le guidon supérieur vers vous pour le faire passer à la position de travail.
b. Serrez les boutons en forme d'étoile qui maintiennent le guidon supérieur sur le guidon inférieur. Assurez-vous que le boulon ordinaire est bien enfoncé dans le guidon. Position B.

2. Repérez une goupille-épingle dans l'un des trous de la goupille soudée de chaque côté du guidon inférieur. Voir la Figure 2.
a. Enlevez les goupilles fendues placées dans le trou extérieur des goupilles soudées sur les supports de montage du guidon. Placez les goupilles fendues dans le trou intérieur. Position A.

3. Installation du guide de la corde. Voir la Figure 3.

- a. Pressez la manette de commande de la lame contre le guidon supérieur. Position A.
- b. Sortez lentement la corde du démarreur du moteur. Position B.
- c. Glissez la corde du démarreur dans le guide. Position C.
- d. Serrez l'écrou à oreilles (boutons en forme d'étoile) du guide de la corde. Position D.

AVERTISSEMENT



Consignes de sécurité



Cette machine est équipée d'un moteur à combustion interne et elle ne doit pas être utilisée sur un terrain non entretenu, recouvert de broussailles ou d'herbe si le système d'échappement du moteur n'est pas muni d'un pare-étincelles, conformément aux lois et règlements provinciaux ou locaux (le cas échéant).

Si un pare-étincelles est utilisé, il doit être maintenu en bon état de marche par l'utilisateur de la machine. La station technique agréée la plus proche peut vous fournir un pare-étincelles pour le pot d'échappement de cette machine.

Les moteurs certifiés conformes aux normes réglementaires de la Californie et de l'agence EPA fédérales pour SORE (petit équipement hors route) sont certifiés pour fonctionner avec de l'essence sans plomb ordinaire et peuvent être dotés de systèmes de contrôle des émissions de gaz suivants : Three Way Catalyst (TWC) le cas échéant.

Entretien général :

1. Ne faites jamais fonctionner la machine dans un local clos car les gaz d'échappement du moteur contiennent du monoxyde de carbone, un gaz inodore très dangereux.
2. Avant de nettoyer, de réparer ou d'examiner la machine, vérifiez que la lame et toutes les pièces mobiles se sont immobilisées. Débranchez le fil de la bougie et mettez-le à la terre contre le moteur pour empêcher tout démarrage accidentel.
3. Vérifiez souvent que la lame et les boulons de montage du moteur sont bien serrés. Examinez visuellement la lame pour détecter toute usure excessive, tout fendillement. Remplacez-la avec une lame authentique seulement (du liste de pièces qui se trouve dans cette notice). «L'emploi de pièces non conformes aux caractéristiques de l'équipement peut causer des performances inférieures et réduire la sécurité.»
4. La lame est coupante et peut causer des blessures graves. Enveloppez la lame avec un chiffon ou portez des gants et faites très attention en le manipulant.
5. Assurez-vous que tous les écrous, boulons et vis sont bien serrés et que l'équipement soit toujours en bon état de marche.
6. Ne modifiez jamais les dispositifs de sécurité. Vérifiez souvent qu'ils fonctionnent bien.
7. Si vous heurtez un objet, arrêtez immédiatement le moteur, débranchez le fil de la bougie et examinez soigneusement la machine. Réparez les dégâts éventuels avant de remettre la machine en marche.
8. N'essayez jamais d'ajuster une roue ou de changer la hauteur de coupe pendant que la machine tourne.
9. Les éléments du sac à herbe et le clapet de la goulotte d'éjection de sécurité, vérifiez souvent les éléments et remplacez-les les pièces mobiles ou ne causent la projection de débris. Par mesure de sécurité, vérifiez souvent les éléments et remplacez-les immédiatement avec des pièces authentiques seulement (du liste de pièces qui se trouve dans cette notice). «L'emploi de pièces non conformes aux caractéristiques de l'équipement d'origine peut causer des performances inférieures et réduire la sécurité.»
10. Ne modifiez pas le réglage du régulateur et ne laissez pas le moteur s'emballer. Le régulateur maintient le moteur à son régime maximal de fonctionnement sans danger.
11. Vérifiez souvent l'état des conduites d'essence, du réservoir, du bouchon d'essence et autres raccords. Remplacez-les si vous détectez un fendillement ou une fuite.
12. Ne faites pas tourner le moteur si la bougie n'est pas installée.
13. Prenez soin des étiquettes d'instructions et remplacez-les au besoin.
14. Respectez les règlements concernant l'élimination des déchets et liquides qui risquent de nuire à la nature et à l'environnement.

Ne modifiez pas le moteur

Pour éviter toute blessure grave ou fatale, ne modifiez pas du tout le réglage du moteur et entraînez son fonctionnement à des vitesses dangereuses. Ne modifiez jamais le réglage de l'usine du régulateur.

Durée de vie utile moyenne

D'après la Consumer Products Safety Commission (CPSC - Commission sur la sécurité des produits de consommation) et la "U.S. Environmental Protection Agency" (EPA - Agence américaine de protection de l'environnement), ce produit a une *durée de vie utile moyenne* de sept (7) ans, ou 60 heures de fonctionnement. Au terme de cette *durée de vie utile moyenne*, achetez une machine neuve ou faites inspecter la machine chaque année par une station technique agréée pour vous assurer que tous les dispositifs mécaniques et de sécurité sont en bon état de marche et ne sont pas usés de façon excessive. Le non-respect de ces recommandations peut causer des accidents et des blessures graves ou mortelles.

1. Faites attention aux trous et ornières. La machine peut se retourner sur un terrain accidenté. Des herbes hautes peuvent cacher des obstacles.
3. Vérifier toujours votre équilibre. Vous risquez de glisser et de tomber et de vous blesser grièvement. Si vous sentez que vous allez perdre votre équilibre, lâchez immédiatement le guidon, et la lame arrêtera de tourner dans trois secondes.
1. Ne touchez pas près d'une falaise ou d'un talus. Le conducteur peut facilement perdre l'équilibre.
2. Ne touchez pas sur une pente supérieure à 15° selon l'inclinaison.
3. Ne touchez pas de l'herbe mouillée. La traction réduite peut provoquer un dérapage.
1. Ne touchez pas de se produire si le conducteur n'est pas toujours vigilant en présence d'enfants. Les enfants sont souvent attirés par la machine et la tonde de l'herbe. Ils ne comprennent pas les dangers. Ne supposez jamais qu'ils vont rester là où vous les avez vus.
1. Éloignez les enfants de la zone de travail et placez-les sous la surveillance d'un adulte autre que le conducteur de la machine.
2. Restez vigilant et arrêtez la machine si des enfants s'approchent de la zone de travail.
3. Regardez toujours derrière vous et par terre avant de reculer et en reculant.
4. Faites très attention en approchant d'arbres morts, de buissons, d'autres objets qui peuvent gêner votre visibilité.
5. Tenez des enfants loin de moteurs chauds ou tournants. Ils peuvent subir des brûlures graves d'un silencieux chaud.
6. Ne permettez jamais à des enfants de moins de 14 ans d'utiliser la tondeuse. Des adolescents âgés de 14 ans ou plus doivent lire la notice d'utilisation, bien comprendre le fonctionnement de la machine et respecter les consignes de sécurité. Ils doivent apprendre à utiliser la machine et s'en servir sous la surveillance étroite d'un adulte.
1. Pour éviter toute blessure ou dégât matériel, faites très attention en manipulant de l'essence. Il s'agit d'un produit extrêmement inflammable et les vapeurs risquent d'exploser. Vous pouvez être grièvement blessés si des éclaboussures sur votre peau ou sur vos vêtements s'enflamment. Rincez votre peau et changez immédiatement de vêtements.
2. Remisisez le carburant dans des bidons homologués seulement.
3. Ne faites jamais le plein dans un véhicule, ni à l'arrière d'une camionnette dont le plancher est recouvert d'un revêtement en plastique. Placez toujours les bidons par terre et loin de votre véhicule avant de les remplir.
4. Dans le mesure du possible, déchargez l'équipement motorisé de la remorque et faites le plein par terre. Si cela n'est pas possible, faites le plein avec un bidon plutôt que directement de la pompe à essence.
5. Maintenez le gicleur en contact avec le bord du réservoir d'essence ou avec l'ouverture du bidon jusqu'à ce que le plein soit terminé. N'utilisez pas un gicleur équipé d'un dispositif de blocage en position ouverte.
6. Éteignez toute cigarette ou pipe, tout cigare ou toute autre chaudière incandescente.
7. Ne faites jamais le plein à l'intérieur.
8. N'enlevez jamais le capuchon d'essence et n'ajoutez pas d'essence pendant que le moteur tourne ou s'il est chaud. Laissez le moteur refroidir pendant au moins deux minutes avant de faire le plein.
9. Ne faites jamais déborder le réservoir. Laissez un espace d'un demi-pouce environ pour permettre l'expansion du carburant.
10. Resserrez bien le capuchon d'essence.
11. En cas de débordement, essuyez toute éclaboussure de carburant ou d'huile et enlevez tous les débris imbibés d'essence. Déplacez la machine à une autre endroit. Attendez 5 (cinq) minutes avant de mettre en marche le moteur.
12. Ne remisez jamais la machine ou les bidons d'essence à l'intérieur, s'il y a une flamme, une étincelle (chauffe-eau à gaz, radiateur, sèche-linge, etc.).

AVERTISSEMENT: Les gaz d'échappement de ce produit contiennent des produits chimiques reconnus dans l'État de Californie comme causant le cancer, des anomalies congénitales ou d'autres problèmes liés à la reproduction.



DANGER: Cette machine doit être utilisée conformément aux consignes de sécurité qui figurent dans la notice d'utilisation. Comme avec tout appareil motorisé, une négligence ou une erreur de l'utilisateur peut entraîner des blessures graves. Cette machine peut amputer mains et pieds et projeter des débris. Par conséquent, le non-respect de ces consignes peut causer des blessures corporelles graves et même mortelles.

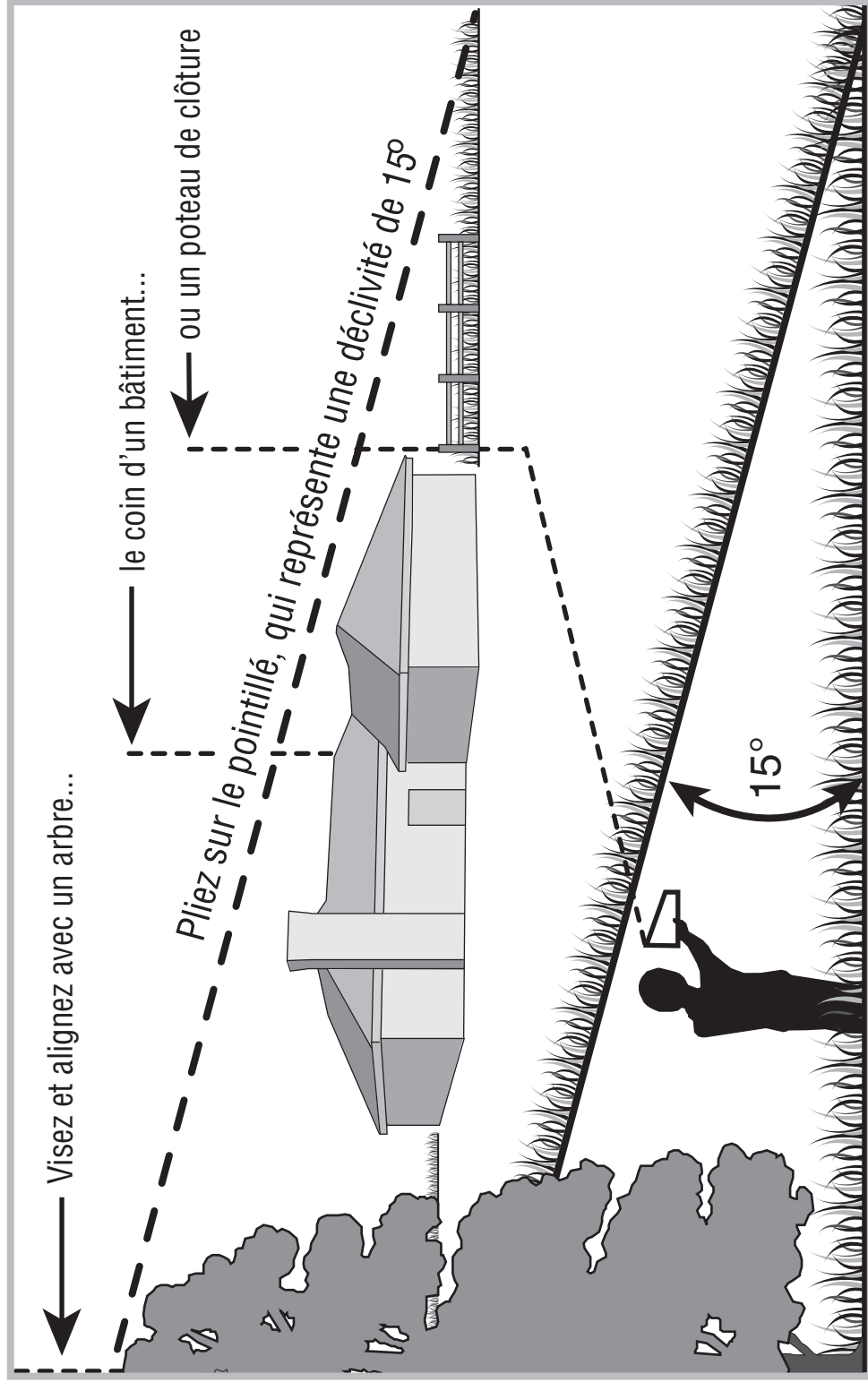
- Utilisation en général**
1. Veuillez lire attentivement la notice d'utilisation avant d'essayer d'assembler la machine. Assurez-vous de lire et de bien comprendre toutes les instructions qui figurent sur la machine et dans la notice d'utilisation avant de la mettre en marche. Conservez cette notice d'utilisation à un endroit sûr pour toute consultation ultérieure et pour commander des pièces de rechange.
 2. Familiarisez-vous avec les commandes et les conseils d'utilisation de la machine avant de vous en servir.
 3. Cette machine motorisée est un outil de précision, pas un jouet. Soyez par conséquent toujours très prudent. Le seul rôle de cette machine est de tondre le gazon. Ne l'utilisez jamais dans un autre but.
 4. Ne permettez jamais à des enfants de moins de 14 ans de se servir de la machine. Des enfants plus âgés doivent lire et comprendre le mode d'emploi de la machine et les consignes de sécurité qui figurent dans cette notice d'utilisation. Un adulte doit leur apprendre à se servir de cette machine et les surveiller.
 5. Seules des personnes mûres ayant pris connaissance des consignes de sécurité doivent être autorisées à utiliser cette machine.
 6. Examinez soigneusement la zone de travail. Ramassez tous les pierres, bâtons, fil métalliques os, jouets et autre objets qui pourraient vous trébucher ou qui risquent d'être ramassés et projetés par la lame. Les objets projetés par la machine peuvent causer des blessures graves.
 7. Évitez de travailler en évitant de projeter l'herbe vers des rues, des trottoirs, des spectateurs, etc. Évitez d'éjecter l'herbe en direction d'un mur ou d'un obstacle. De cette façon, les débris éventuels ne risquent pas de ricocher et de blesser quelqu'un.
 8. Pour éviter tout risque de contact avec la lame ou de blessure par un projectile, éloignez les enfants, passants et autres à au moins 75 pieds de la tondeuse pendant qu'elle fonctionne. Arrêtez la machine si quelque un s'approche.
 9. Portez toujours des lunettes de sécurité en utilisant la machine ou être projeté, ricocher et vous blesser aux yeux.
 10. Portez des chaussures robustes à semelle épaisse et des vêtements bien ajustés. Une chemise et un pantalon qui protègent les bras et les jambes et des chaussures à bout d'acier sont recommandés. N'utilisez jamais la tondeuse si vous êtes pieds nus ou si vous portez des sandales ou des tennis.
 11. Ne placez jamais vos mains ou vos pieds près d'une pièce en mouvement ou sous le plateau de coupe. La lame peut amputer mains et pieds.
 12. L'absence du clapet de la goulotte d'éjection ou un clapet endommagé peut causer des blessures en cas de contact avec la lame ou projeter des objets.
 13. De nombreuses blessures se produisent lorsque la tondeuse passe sur le pied à la suite d'une chute. Ne retenez pas la tondeuse si vous tombez. Lâchez immédiatement le guidon.
 14. Ne tirez jamais la tondeuse vers vous en marchant. S'il faut faire d'abord par terre et derrière vous, puis procédez comme suit:
 - a. Éloignez-vous de la tondeuse à bout de bras.
 - b. Assurez votre stabilité.
 - c. Reculez la tondeuse lentement et d'une demi-longueur de bras seulement.
 - d. Répétez selon les besoins.
 15. N'utilisez jamais la tondeuse en état d'ébriété ou si vous prenez des médicaments ralentissant les réactions.
- Utilisation en général**
16. Dégagez le dispositif d'auto-populsion ou l'embrayage d'entraînement, avant de faire démarrer le moteur.
 17. La poignée de commande de la lame est un dispositif de sécurité. Ne tenez jamais de commande de la lame et ne laissez pas la poignée de sécurité de fonctionner correctement et peut causer des blessures en cas de contact avec la lame. La poignée de commande de la lame doit bouger facilement dans les deux sens et revenir automatiquement à la position non éclaircie quand on la lâche.
 18. N'utilisez jamais la tondeuse si le gazon est mouillé. Soyez toujours bien en équilibre. Faites attention de ne pas glisser et de ne pas tomber pour éviter des blessures graves. Si vous estimez que vous perdez votre équilibre, lâchez la poignée de commande de la lame immédiatement et la lame arrêtera de tourner dans trois secondes.
 19. Utilisez la tondeuse seulement dans la lumière du jour ou dans la bonne lumière artificielle. Marchez, ne courez pas.
 20. Arrêtez la lame avant de traverser des allées, trottoirs ou chemins recouverts de gravier.
 21. Si la machine commence à vibrer d'une manière anormale, arrêtez le moteur et cherchez-en immédiatement la cause. En général, toute vibration indique un problème.
 22. Arrêtez le moteur et attendez que la lame se soit immobilisée avant de détacher le sac à herbe ou de déboucher la goulotte. La lame continue à tourner pendant quelques secondes après que le moteur s'est éteint. Ne placez jamais aucune partie du corps dans le secteur de lame avant que vous ne soyez sûr que la lame a arrêté de tourner.
 23. N'utilisez jamais la tondeuse sans avoir l'abattant de protection arrière, la goulotte d'éjection, un sac à herbe, la poignée de commande de la lame ou d'autres dispositifs de sécurité appropriés, en place et qui fonctionnent correctement. N'utilisez jamais la tondeuse avec des dispositifs de sécurité endommagés. Le non-respect de ces consignes peut causer des blessures graves.
 24. Le silencieux et le moteur deviennent très chauds et peuvent causer des brûlures. Ne les touchez pas.
 25. Essayez jamais d'ajuster une roue ou de changer la hauteur de coupe pendant que la machine tourne.
 26. N'utilisez que des accessoires recommandés par le fabricant de la machine. Le non-respect de ce qui est recommandé peut causer des blessures graves.
 27. Pour mettre le moteur en marche, tirez lentement la poignée du démarreur à l'arrière jusqu'à ce que vous sentiez une légère résistance, puis tirez-la rapidement. Le retour rapide de la corde du démarreur (le recul) attirera votre main et votre bras vers le moteur plus vite que vous ne pourrez lâcher la poignée. Des fractures des os, hématomes ou tumeurs peuvent en résulter.
 28. En cas de situations qui ne sont pas mentionnées dans cette notice, soyez prudent et faites preuve de bon sens. Contactez votre département local.
- Utilisation sur une pente**
- Les accidents provoqués par tomber et de glisser, qui se produisent souvent sur des pentes, peuvent causer des blessures graves. Travailler sur un terrain en pente demande des précautions supplémentaires. Si vous ne sentez pas à l'aise sur la pente, n'y travaillez pas. Par mesure de sécurité, utilisez l'inclinomètre fourni dans la notice d'utilisation pour mesurer la pente du terrain avant de commencer à travailler. Si selon l'inclinomètre, la pente est supérieure à 15°, n'utilisez pas la tondeuse pour éviter toute blessure grave.
- À FAIRE:**
1. Travaillez parallèlement à la pente, jamais perpendiculairement. Faites très attention en changeant de direction sur une pente.

Consignes de sécurité



Ce symbole attire votre attention sur des consignes de sécurité importantes qui, si elles ne sont pas respectées, peuvent mettre en danger non seulement votre personne et vos biens, mais aussi ceux d'autrui. Prière de lire toutes les instructions figurant dans cette notice d'utilisation avant d'essayer de vous servir de cette machine. Le non-respect de ces instructions peut entraîner des blessures corporelles. **RESPECTEZ L'AVERTISSEMENT QUI ACCOMPAGNE CE SYMBOLE!** Votre responsabilité Cette machine ne doit être utilisée que par des personnes qui peuvent lire, comprendre et respecter les avertissements et instructions qui figurent dans cette notice et sur la machine.

Server-vous de cet inclinomètre pour déterminer les pentes sur lesquelles il serait dangereux de travailler. **N'utilisez pas** cette tondeuse sur de telles pentes.



Inclinomètre



AVERTISSEMENT

Ne vous tondez pas sur des pentes supérieures à 15° (soit une déclivité de 2-1/2 pi par 10 pi). Un tracteur à siège risque en effet de se retourner et son conducteur peut être gravement blessé. Il est également difficile de conserver un bon appui en marchant derrière la tondeuse. Vous risquez de glisser et de vous

blessier.

Utilisez les tracteurs À

SIÈGE parallèlement

à la pente, jamais en

travers.

Utilisez les tracteurs À

POUSSER perpendicu-


lairement à la pente,

jamais parallèlement.

1. Si l'assemblage de cette machine vous pose des problèmes ou pour toute question concernant les commandes, le fonctionnement ou l'entretien de la machine, appelez le service après-vente au.

Préparez vos numéros de modèle et de série avant de téléphoner. Veuillez lire le chapitre précédent pour déterminer l'emplacement de ces numéros. On vous demandera d'enregistrer le numéro de série avant de pouvoir poursuivre votre consultation.
2. Le fabricant du moteur est responsable de tout aspect lié à celui-ci, y compris la performance, la puissance nominale, les caractéristiques, la garantie et le service. De plus amples renseignements se trouvent, en fonction du fabricant, soit dans cette notice d'utilisation soit dans celle qui est emballée séparément avec le produit.

Service après-vente

 COLUMBIA CANADA KITCHENER, ON N2G 4J1	
XXXXXXX	XXXXXXX
Model Number	Numéro de modèle
Serial Number	Numéro de série
XXXXXXX	XXXXXXX

AVANT DE PROCÉDER À L'ASSEMBLAGE DE VOTRE NOUVEL ÉQUIPEMENT, localiser la plaque signalétique sur l'équipement, et recopier le numéro de modèle et le numéro de série sur le modèle de plaque signalétique fourni sur la droite. Pour localiser la plaque signalétique, placez-vous derrière la machine à la poste de conduite et regardez à l'arrière de la machine.

Pour trouver le numéro de modèle

Inclinomètre	3
Important consignes de sécurité	4
Instructions de montage et réglages	6
Utilisation	8
Pièces détachées (voir la page 14 de la version anglaise de cette notice d'utilisation).	
Entretien et Remisage hors saison	10
Dépannage	12
Garantie	13

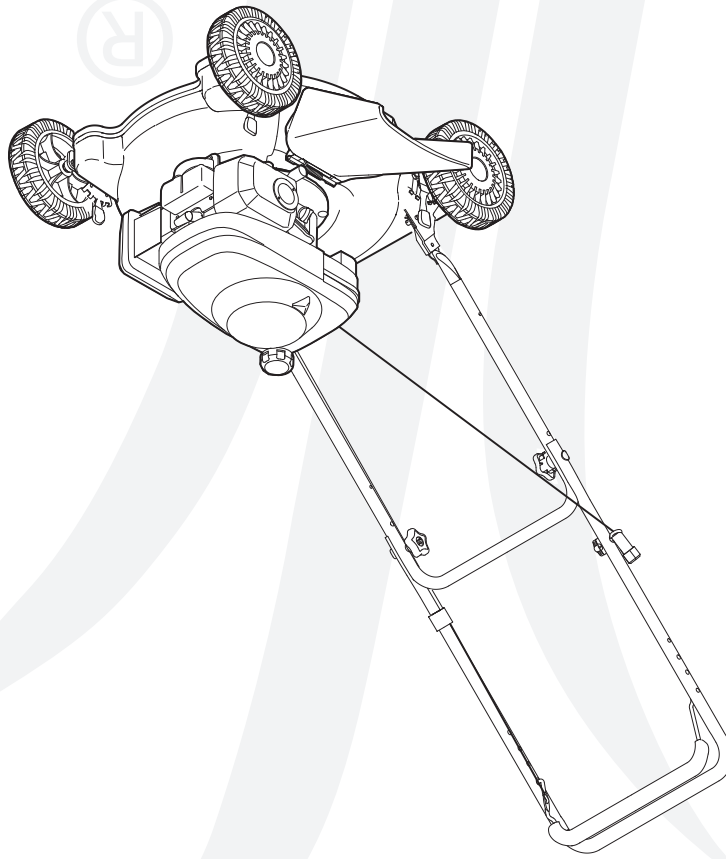
Table des matières

Cette notice d'utilisation est une pièce importante de votre nouvel équipement. Elle vous fournit les renseignements nécessaires à l'assemblage, à la préparation et à l'entretien de votre machine. Veuillez donc la lire attentivement et vous assurer de bien comprendre toutes les instructions.

LES DISTRIBUTIONS RVI LIMITÉE, 2955, JEAN-BAPTISTE DESCHAMPS, LACHINE, QUÉBEC H8T 1C5

IMPORTANT:
LISEZ ATTENTIVEMENT LES RÈGLES DE SÉCURITÉ ET LES
INSTRUCTIONS AVANT DE METTRE EN MARCHÉ LA MACHINE.

20 po Tondeuse Rotative - Série 100



COLUMBIA[®]

NOTICE D'UTILISATION

Sécurité * Montage * Fonctionnement * Réglages * Entretien
Dépannage * Listes des pièces détachées * Garantie