



COUGAR 1 - COUGAR 2	CHEETAH 1 - CHEETAH 2
---------------------	-----------------------



Owners Manual / Guide d'utilisation

LIFETIME LIMITED WARRANTY

CHARIOT CARRIERS INC. warrants that the frame is free of defects for the lifetime of the product. The fabric and hitch are warranted for one year following the date of delivery to the original purchaser. This warranty does not include the wheels and tires. This warranty is valid only to the original purchaser and under normal use.

Repairs must be made by **CHARIOT CARRIERS INC.** or an authorized dealer, otherwise this warranty is void. **CHARIOT CARRIERS INC.** reserves the right to repair or replace the warranted trailer.

This warranty does not apply to damages caused by misuse of this product, accidental or intentional damage, neglect or commercial use. Excluded from this warranty is liability for consequential property or commercial damages or for damages for loss of use. This constitutes the only warranty of **CHARIOT CARRIERS INC.** and its authorized agents and dealers and no other warranty or conditions, statutory, parole, collateral or otherwise (including conditions requiring compliance with description, fitness for purpose and merchantable quality) shall be implied.

WARRANTY

To validate your warranty, please complete the following information and send to:

Chariot Carriers Inc.
 Bay F, 6810 - 6th Street S.E.
 Calgary, Alberta T2H 2K4
 CANADA

Name _____

Address _____

City _____ Province _____

Postal Code _____ Telephone () _____

Date of Purchase _____ Store & Location _____

Model _____

Serial # _____ / _____ - _____ # _____

M Y

I purchased a **CHARIOT CARRIER** for the following reason(s). Please check all that apply:

- reasonable price easy to assemble recommended by friend the many features
- quality of product Canadian made visited Chariot's web site saw an advertisement
- lifetime warranty CTS Conversion Kits recommended by salesperson

Additional comments:



COUGAR 1 / COUGAR 2 CHEETAH 1 / CHEETAH 2

Owners Manual

CONGRATULATIONS!

Congratulations on choosing a Chariot Carrier, the key component of the world's premiere Child Transport System (CTS). Your new CTS carrier offers superior quality, safety features, and comfort. In addition, Chariot's CTS Conversion Kits can provide you with the versatility to meet all of your child transportation needs.

The CTS Conversion Kits available from your Chariot dealer are the following: **1.** Trailer Conversion Kit **2.** Stroller Conversion Kit **3.** Hiker Conversion Kit **4.** XC Ski Conversion Kit

Thank you for buying a Chariot Carrier and for buying Canadian! 🍁



IMPORTANT: Read all instructions before use.

TABLE OF CONTENTS

- Safety Guidelines.....2
- Trailer Care and Storage.....2
- General Warning.....3
- Assembly
 - Chariot Carrier.....4
 - Wheel.....4
 - Weather Cover.....5
 - Handlebar.....6
- Operating Instructions
 - Parking Brake.....6
 - Suspension.....6
 - Storage Bag.....6
 - Seatbelts.....7
- Parts List and Diagram
 - Cougar 1.....8
 - Cougar 2.....9
 - Cheetah 1.....10
 - Cheetah 2.....11
- Options.....12
- Instructions en français.....13
- Notes.....25
- Warranty.....27

GARANTEE À VIE LIMITEE

CHARIOT CARRIERS INC. garantit le cadre contre toute détérioration tant que le produit sera utilisé et garanti le tissu et le dispositif d'attache pour un an à compter de la date de livraison du produit à l'acheteur original. Cette garantie ne couvre pas les roues et les pneus et ne s'applique qu'au premier acheteur qui en a fait un usage normal.

Les réparations doivent être effectuées par CHARIOT CARRIERS INC. ou un détaillant autorisé autrement la garantie sera annulée. CHARIOT CARRIERS INC. se réserve le droit d'effectuer elle-même toute réparation ou de remplacer toute remorque.

Cette garantie ne couvre pas les dommages causés par le mauvais traitement de ce produit, les dommages causés par accident ou de façon intentionnelle, ou qui résultent de la négligence ou d'un usage à des fins commerciales. Elle ne comprend pas non plus toute responsabilité pour les dommages indirects de propriété ou de biens ou les dommages de privation de jouissance. Cette garantie est la seule garantie utilisée par CHARIOT CARRIERS INC. et ses agents et détaillants autorisés, et aucune autre garantie ou condition, légale, verbale, accessoire ou autre (y compris toute condition exigeant la conformité à la description ou aux besoins et la qualité marchande) n'est sous-entendue.

GARANTEE

Pour que votre garantie entre en vigueur, prière de remplir le formulaire ci-dessous et de la faire parvenir à :

Nom _____
 Adresse _____
 Ville _____ Province _____
 Code postal _____ Téléphone () _____
 Date d'achat _____ Magasin et endroit _____
 J'ai choisi d'acheter une remorque CHARIOT CARRIER pour les raisons suivantes :
 (prière de cocher toute case pertinente)
 _____ prix raisonnable _____ facile à assembler _____ recommandation d'un(e) ami(e) _____ plusieurs caractéristiques
 _____ qualité du produit _____ fabricant canadien _____ visite du site Web de Chariot _____ publicité
 _____ garantie à vie _____ trousse de transformation CTS _____ recommandation d'un(e) vendeur(euse)
 Autres commentaires : _____

CHARIOT CARRIERS INC.
Bay F, 6810 - 6th Street S.E.
Calgary, Alberta
T2H 2K4
CANADA
Modèle :

N° de série : _____ / _____ M A N°

NOTES

SAFETY GUIDELINES

Eight important rules for the safe use of your Chariot carrier.

1. **Read all instructions before use!**
Failure to read, understand and follow these instructions may result in an otherwise avoidable accident. You or your passengers could be seriously injured or die.
2. **The safe and proper use of this product is your responsibility!**
3. **Do not modify or alter your carrier.**
4. **Children must be at least 1 year old and be able to sit upright alone.**
Consult your pediatrician before carrying any child younger than one year.
5. **The maximum capacity is 75 lbs/34 kgs for a single child jogging stroller and 100lbs/45 kgs for a double jogging stroller. This includes children, luggage and other supplies.**
Articles carried in the carrier should be well anchored to avoid shifting during travel. Unstable loads and overloading make the carrier less stable and more difficult to control.
6. **Always fasten shoulder harness, lap belt and crotch strap securely and tightly around children.**
Periodically check placement of shoulder straps, especially for a sleeping child. Make sure children cannot put fingers into the wheel spokes. Instruct children not to bounce, rock or lean.
7. **Do not leave children unattended in the carrier.**
8. **To insure a smooth ride, keep tires inflated to 30-35 P.S.I. Check tire pressure before each use.**
Over inflating tires or use of high pressure tires can cause the carrier to overturn.

MAINTENANCE, CARE AND STORAGE

- A. **Maintenance**
Periodically check the carrier for damage, cracks, etc. Replace at first sign of damage. Any damage or deterioration on any part of your Chariot carrier should be repaired or replaced immediately to reduce the risk of personal injury.
- B. **Fabric/Shell Care**
Your Chariot carrier is manufactured from a tough, durable, water resistant fabric. Clean fabric with household soap or mild detergent and warm water only. Wipe dry. Do not machine dry.
- C. **Wheels**
Wheels and axles should be serviced by a Chariot dealer at least twice a year. Before each outing, check wheels for damage and axles to ensure they are properly installed (see pages 4 and 5 for details). If axles stick or feel tight, dust off axle with a dry rag and use small amount of lubrication.
Note: Use an oil based lubricant only!
- D. **Storage**
Store your carrier in a dry, well-ventilated area. **To avoid mildew, make sure carrier is dry before storing.** Keep your carrier out of the sun when not in use to reduce fading. Do not store the trailer attached to your bike.

Always check all parts every time you use your trailer!!

GENERAL WARNING!

This manual contains many **WARNINGS** and **Cautions**. Read and understand all of the **WARNINGS** and **Cautions**. Failure to assemble and use this carrier correctly may lead to serious personal injury or death to you or your passengers.

- ~ Do not install a car seat or any other seating device not approved by the manufacturer inside the carrier.
- ~ Make no modifications to the carrier.
- ~ The carrier may become unstable if a parcel bag or rack is attached to the carrier.
- ~ Do not allow any of the child's body, clothing, shoe laces, or toys come in contact with moving parts.
- ~ Never leave children unattended in the carrier.
- ~ Failure to comply with the manufacturer's instructions can lead to serious injury or death of the passenger/rider.
- ~ Maximum capacity is 75 lbs/34 kgs for a single child carrier and 100 lbs/45 kgs for a double child carrier. This includes child/children and cargo. Do not use with children who exceed the weight limitations.
- ~ Do not use cleaning solvents on the carrier. Clean only with mild soap and water.
- ~ When used with only one occupant, the occupant should be seated in a center seating position.
- ~ Passengers must always use seat belts.
- ~ Children must be at least 1 year old and able to sit upright unassisted.
- ~ Maximum tire pressure is 30-35 PSI.
- ~ Care must be taken when folding and unfolding to prevent finger entrapment.
- ~ Use wrist safety strap at all times.
- ~ Always use parking brake when the carrier is stationary.
- ~ Never in-line skate with your carrier. A serious accident could occur resulting in serious injury or death.
- ~ Maximum weight in the rear pocket is 22lbs/1 kgs. The carrier may become unstable if the pocket is overloaded.

When carrier is used in Trailer mode, please observe the following:

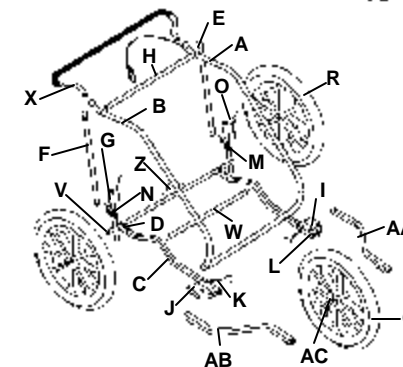
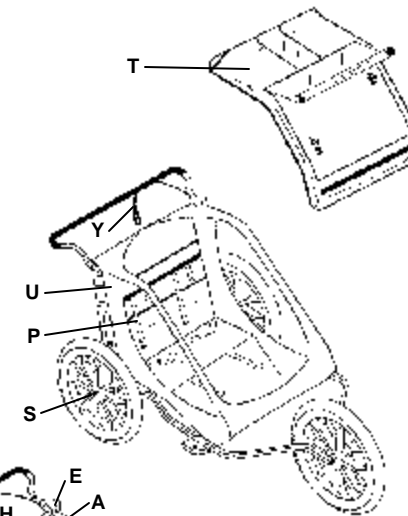
- ~ A reflector that complies with CPSC regulations should be visible on the rear of the carrier.
- ~ Before each ride ensure the attached carrier does not interfere with braking, pedaling, or steering of the bicycle.
- ~ Never ride a bicycle at night without adequate lighting. Obey all local legal requirements for lighting.
- ~ Ride with extreme caution, never exceed 25 km/h, and slow down to less than 10 km/h around corners and on rough roads.
- ~ Wear a CPSC or CE approved bicycle helmet.
- ~ Pulling a trailer changes the stability, braking requirements, and riding characteristics of your bike.
- ~ Always use the flag for increased visibility.
- ~ Carrier can tip over causing serious injury to passenger/rider.
- ~ Hitting an obstacle with a wheel may cause the carrier to tip over at any speed!



CHEETAH 2

LISTE DES PIÈCES

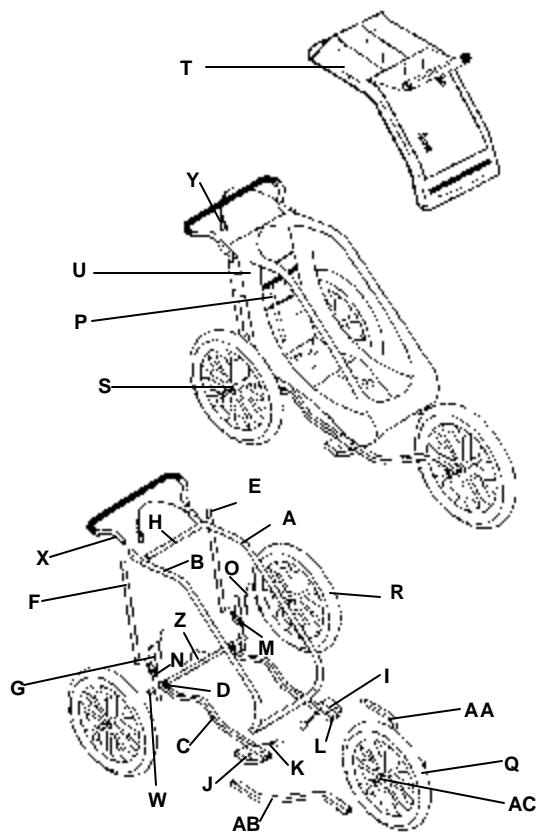
N ^o	Pièce	Quantité	N ^o	Pièce	Quantité
A	40100133 Cadre supérieur - gauche.....	1	P	40200104 Harnais d'épaule 16"	1
B	40100134 Cadre supérieur - droit.....	1	Q	50101732 Roue en plastique 20"	1
C	41100223 Cadre inférieur.....	2	R	50101733 Roue en plastique	2
D	41101290 Fixation du cadre inférieur.....	2	S	50101305 Essieu de chape	2
E	40100423 Cadre arrière - gauche	1	T	31100801/2 Toile de recouvrement	1
F	40100424 Cadre arrière - droit.....	1	U	30100801/2 Coque en tissu	1
G	40100722 Tube arrière.....	2	V	50103101 Adaptateur d'essieu	2
H	40100624 Cadre du siège.....	1	W	40100625 Barre inférieure du siège	2
I	40101510 Fixation du bras de roue - gauche.....	1	X	40101329 Guidon	1
J	40101511 Fixation du bras de roue - droite	1	Y	40202011 Courroie de sécurité pour poignet	1
K	40202006 Goupille de sécurité du bras de roue	2	Z	40101923 Frein de stationnement et essieu	1
L	50100901 Forme de D	1	AA	41101035 Bras de roue - gauche	1
M	41101283 Fixation arrière - gauche	2	AB	41101036 Bras de roue - droite	1
N	41101284 Fixation arrière - droite	2	AC	50103012 Tige à déclenchement rapide	1
O	40202007 Goupille de sécurité	2	AD	33100801/2 Sac de rangement (non illustré)	1



CHEETAH 1

LISTE DES PIÈCES

N ^o	Pièce	Quantité	N ^o	Pièce	Quantité
A	40100135	Cadre supérieur - gauche.....1	P	40200104	Harnais d'épaule 16 po 1
B	40100136	Cadre supérieur - droit.....1	Q	50101732	Roue en plastique 20 po 1
C	40100224	Cadre inférieur.....2	R	50101733	Roue en plastique 2
D	41101290	Fixation du cadre inférieur.....2	S	50101305	Essieu de chape 2
E	40100423	Cadre arrière - gauche.....1	T	31100406/7	Toile de recouvrement 1
F	40100424	Cadre arrière - droit.....1	U	30100406/7	Coque en tissu 1
G	40100722	Tube arrière2	W	50103101	Adaptateur d'essieu 2
H	40100626	Cadre du siège1	X	40101311	Guidon 1
I	40101510	Fixation du bras de roue - gauche.....1	Y	40202011	Courroie de sécurité pour poignet ... 1
J	40101511	Fixation du bras de roue - droite.....1	Z	40101922	Frein de stationnement et essieu ... 1
K	40202006	Goupille de sécurité du bras de roue.....2	AA	41101024	Bras de roue - gauche 1
L	50100901	Forme de D1	AB	41101025	Bras de roue - droite 1
M	41101283	Fixation arrière - gauche2	AC	50103012	Tige à déclenchement rapide 1
N	41101284	Fixation arrière - droite.....2	AD	33100401/2	Sac de rangement (non illustré) ... 1
O	40202007	Goupille de sécurité2			



ASSEMBLY

Your Chariot Carrier is shipped 99% assembled. Initial assembly takes a few minutes. After that, folding and unfolding can be done in seconds.

Note: Any reference to orientation (left or right) is from the passenger's point of view while in the carrier.

A. CHARIOT CARRIER

- Stand at the back of the carrier body. Grab the upper frame and pull up until it stops.
- Pull back on both the right and left lower bars until they "snap" all the way back over centre and the auto lock pin engages.

CAUTION: PULL BACK ON THE LOWER BARS FROM BEHIND THE PIVOT BRACKETS TO AVOID PINCHING YOUR FINGERS.

- Insert both securing pins (hanging by straps attached to the frame) through both holes on the pivot brackets.

Figure 1

- To collapse, remove securing pins, push the auto lock button, and then push both the right and left lower bars forward until carrier is completely collapsed.

Figure 2

NOTE: Do not attempt to collapse carrier without first pushing down the auto lock button.

WARNING! FAILURE TO INSERT SECURING PINS MAY CAUSE CARRIER TO COLLAPSE. OCCUPANTS MAY BE INJURED.

FIGURE 1

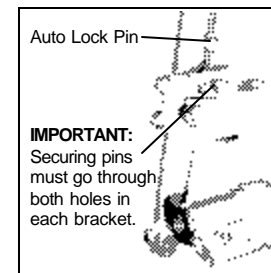


FIGURE 2



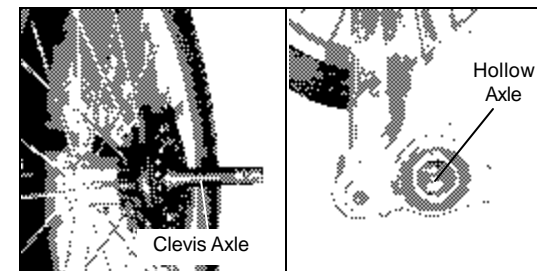
B. WHEEL ASSEMBLY

- Depress the rubber cap on the wheel hub with your thumb and fully insert the clevis axle into the hollow axle. Once fully inserted and secured, you should hear a "click" or "snap" sound.

IMPORTANT: To ensure the axle system is engaged properly, test by trying to pull the wheel outwards after installing. The wheel should be locked in its installed position. If not, do not use and take your carrier to your Chariot dealer for servicing

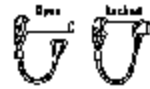
- Repeat on other side with other wheel.

FIGURE 3



WHEEL ASSEMBLY CONTINUED...

4. Insert wheel arms into the wheel arm attachment brackets. When inserted properly the brackets attached to the wheel arms should be located below the arms and the end cap on the wheel arms should be seen from the back of the wheel arm attachment brackets. **Figure 4**
5. Insert both safety snap pins up through the holes in **BOTH** the wheel arm attachment bracket and the wheel arm. **Lock safety snap pins by securing the clip over the pin.**
6. Install the quick release axle through the wheel's axle with a spring on each side of the wheel and screw the nut onto the other side.
7. Slide the wheel axle all the way into the wheel bracket dropouts.
8. With the quick release lever opened 90 degrees to the wheel brackets (i.e. pointing straight out), hand tighten the nut on the back side of the quick release skewer.
9. Close the quick release lever by pushing it flat against the wheel bracket. When the nut is properly adjusted, you will feel resistance halfway through tightening the lever. Make sure the lever is closed towards the back of the carrier. **Figure 5**



IMPORTANT: Try pushing the wheel out of the wheel bracket to ensure the wheel is properly secured.

10. Inflate tires to 30-35 p.s.i.

WARNING! FAILURE TO PROPERLY ATTACH WHEEL ASSEMBLY AND TEST THAT THEY ARE SECURE COULD CAUSE THE WHEELS TO FALL OFF RESULTING IN AN ACCIDENT AND SERIOUS INJURY.

FIGURE 4

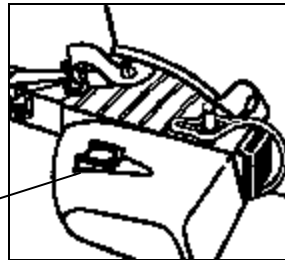


FIGURE 5 - CHEETAH

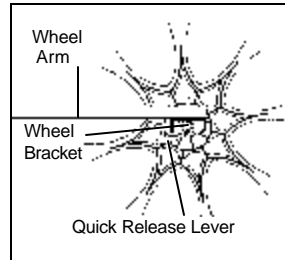
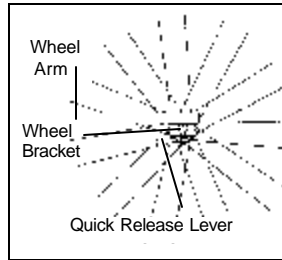


FIGURE 5 - COUGAR



WEATHER COVER INSTRUCTIONS

1. Attach the loops from the back corner of the weather cover over the aluminum sleeves located at the upper rear section of the carrier. **Figure 6**
2. Fasten the front corners of the weather cover to the velcro tabs located on the front lower corners of the frame.

WARNING! FAILURE TO USE THE WEATHER COVER WILL EXPOSE YOUR CHILD TO ROCKS, INSECTS, AND OTHER DEBRIS. PERIODICALLY MONITOR YOUR CHILD TO ENSURE THAT HE/SHE IS COMFORTABLE IN TERMS OF TEMPERATURE.

Your Chariot Carrier has climate control features designed to regulate your child's temperature. During cooler temperatures, use the rain cover to keep your child warmer. If this is too warm or you are worried about ventilation, open one or both of the small triangular side vents (for Cougar models). For more ventilation, roll up the rain cover and secure it by looping the elastic loops around its ends. If it is bright outside or the sun is bothering your child, use the back panel as a sunscreen. To do so, remove the weather cover, flip the back panel over the front of the trailer, secure it to the hook and loop tabs located on the upper frame, and re-install the weather cover.

IMPORTANT: Read the safety guidelines before using your Chariot Carrier.

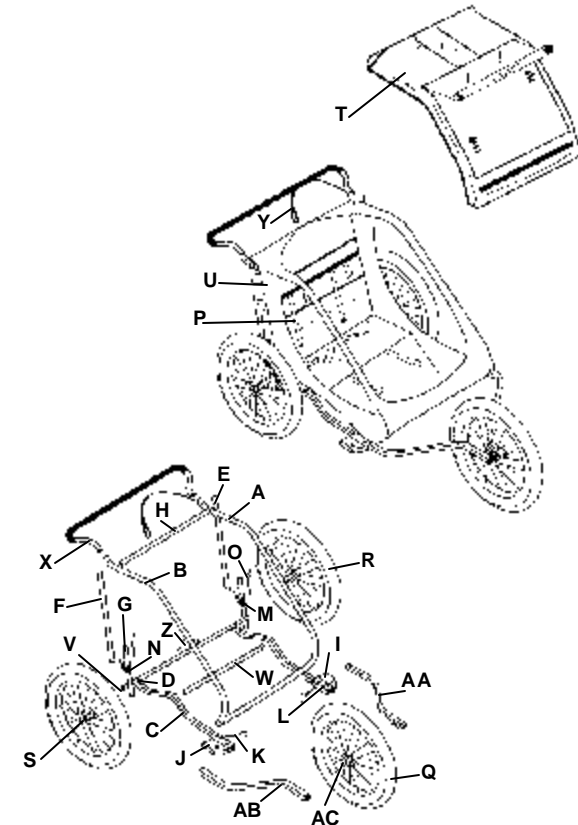
FIGURE 6



COUGAR 2

LISTE DES PIÈCES

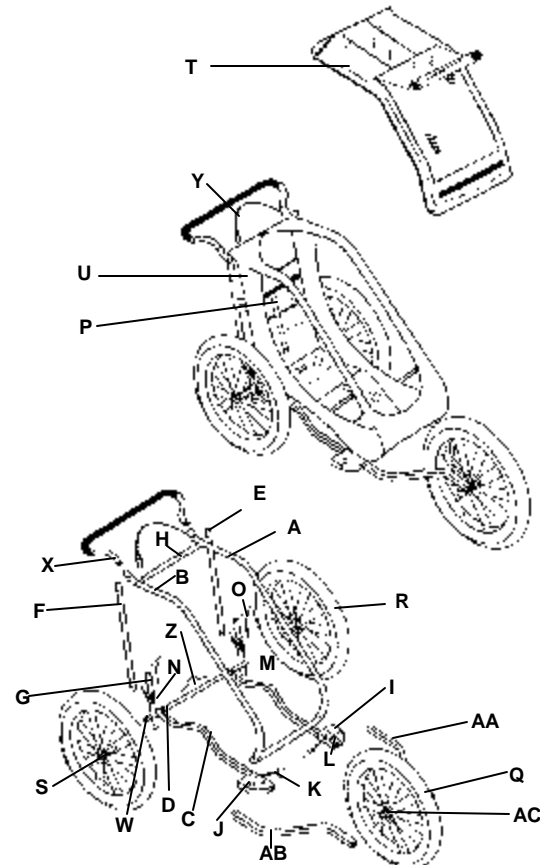
N ^o	Pièce	Quantité	N ^o	Pièce	Quantité
A	40100133	Cadre supérieur - gauche1	Q	50101730	Roue en alliage 16 po1
B	40100134	Cadre supérieur - droit1	R	50101729	Roue en alliage 20 po2
C	41100224	Cadre inférieur2	S	50101305	Essieu de chape2
D	41101290	Fixation du cadre inférieur2	T	31100901/2	Toile de recouvrement1
E	40100423	Cadre arrière - gauche1	U	30100901/2	Coque en tissu1
F	40100424	Cadre arrière - droit1	V	50103101	Adaptateur d'essieu2
G	40100722	Tube arrière2	W	40100625	Barre inférieure du siège1
H	40100624	Cadre du siège1	X	40101329	Guidon1
I	40101510	Fixation du bras de roue - gauche1	Y	40202011	Courroie de sécurité pour poignet1
J	40101511	Fixation du bras de roue - droite1	Z	40101923	Frein de stationnement et essieu1
K	40202006	Goupille de sécurité du bras de roue2	AA	41101035	Bras de roue - gauche1
L	50100901	Forme de D1	AB	41101036	Bras de roue - droite1
M	41101283	Fixation arrière - gauche2	AC	50103012	Tige à déclenchement rapide1
N	41101284	Fixation arrière - droite2	AD	33100901/2	Sac de rangement (non illustré)1
O	40202007	Goupille de sécurité2			
P	40200106	Harnais d'épaule1			



COUGAR 1

LISTE DES PIÈCES

N ^o	Pièce	Quantité	N ^o	Pièce	Quantité		
A	40100135	Cadre supérieur - gauche	1	Q	50101730	Roue en alliage 16 po	1
B	40100136	Cadre supérieur - droit	1	R	50101729	Roue en alliage 20 po	2
C	41100224	Cadre inférieur	2	S	50101305	Essieu de chape	2
D	41101290	Fixation du cadre inférieur	2	T	31100503/4	Toile de recouvrement	1
E	40100423	Cadre arrière - gauche	1	U	30100503/4	Coque en tissu	1
F	40100424	Cadre arrière - droit	1	W	50103101	Adaptateur d'essieu	2
G	40100722	Tube arrière	2	X	40101311	Guidon	1
H	40100626	Cadre du siège	1	Y	40202011	Courroie de sécurité pour poignet	1
I	40101510	Fixation du bras de roue - gauche	1	Z	40101922	Frein de stationnement et essieu	1
J	40101511	Fixation du bras de roue - droite	1	AA	41101024	Bras de roue - gauche	1
K	40202006	Goupille de sécurité du bras de roue	2	AB	41101025	Bras de roue - droite	1
L	50100901	Forme de D	1	AC	50103012	Tige à déclenchement rapide	1
M	41101283	Fixation arrière - gauche	2	AD	33100501/2	Sac de rangement (non illustré)	1
N	41101284	Fixation arrière - droite	2				
O	40202007	Goupille de sécurité	2				
P	40200106	Harnais d'épaule	1				



HANDLEBAR INSTRUCTIONS

1. Insert both ends of the handlebar into the aluminum sleeves located at the upper rear section of the carrier. **Figure 7**
2. Depress both spring buttons and insert the handlebars fully into the sleeves. **Both spring buttons must 'pop' out of the holes located on the inner side of the sleeves to secure the handlebar in place.**

Note: The handlebar height is adjustable. Simply remove the handlebar, rotate it 180°, and re-insert the handlebar into the sleeves.

WARNING! FAILURE TO PROPERLY INSTALL THE HANDLEBARS OR USE THE WRIST SAFETY STRAP COULD CAUSE THE CARRIER TO BECOME SEPARATED FROM YOU RESULTING IN SERIOUS INJURY.

FIGURE 7

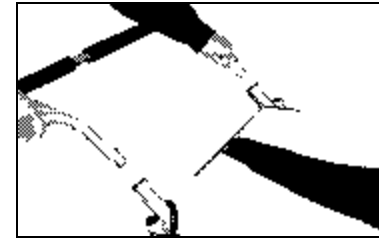
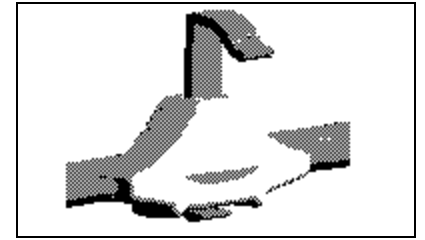


FIGURE 8



PARKING BRAKE INSTRUCTIONS

The parking brake is located at the center of the rear axle under the rear storage bag.

1. Engage the parking brake by pressing the plunger down on the brake housing. **Figure 8**
2. Disengage the parking brake by lifting the plunger.

SUSPENSION (FOR COUGAR 1 AND 2 MODELS ONLY)

All Cougar models come with adjustable suspension. Four adjustment ranges are suggested, but it can be used in any position. The weight ranges suggested are based on if the carrier is used for cycling so they could be softer than desired for strolling/jogging. Experimenting may be required.

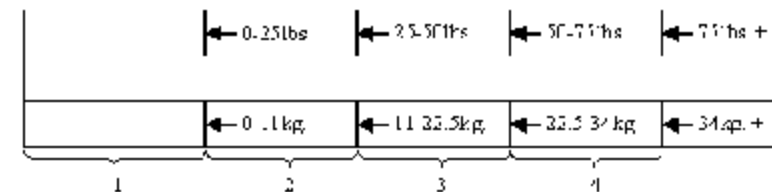
Note: To determine the weight, you must combine the weight of the passengers and cargo.

To adjust simply loosen knob, slide bracket to desired weight range, and tighten knob.

Note: The bracket should be moved to the location next to the weights noted (not on top of the position).

If the suspension is making a hard "knocking" sound, it means the weight setting is too low and you need to slide the bracket further towards the rear. Typically, the suspension on both sides should be set to the same position/range, however it is possible to have them set to different positions if a lighter child is on one side and a heavier child on the other. Note the 4 positions outlined in **Figure 9** where 1 represents the lightest load and 4 represents the heaviest load.

FIGURE 9



REAR STORAGE BAG

Your Chariot carrier comes with two separate rear storage bags. The first is the rear cargo mesh storage area located directly behind the seat. The maximum capacity for this storage area is 1kg/2.2 lbs. The second storage area is located on the lower backside of the carrier.

There are 3 straps attached to the outside of the bag that you can use to attach the front wheel of your jogger to, in the event you have purchased a trailer kit, but wish to keep the Jogger kit components with the carrier.

CHILD PLACEMENT AND SEATBELTS

The maximum capacity is 75 lbs/34 kgs for a single child jogging stroller and 100 lbs/45 kgs for a double jogging stroller. This includes children, luggage and other supplies.

Children must be at least one year old and be able to sit upright unattended.

Children's heads, including helmets, must not project above upper frame.

WARNING! FAILURE TO PROPERLY ATTACH SEATBELTS ON CHILDREN COULD RESULT IN SERIOUS INJURY OR DEATH TO OCCUPANTS IN THE EVENT OF AN ACCIDENT.

One Child

1. Unclip both shoulder harnesses from side release buckles and unthread from O-rings.
2. Seat child in centre of seat.
3. Place centre crotch strap between legs and adjust so O-ring is centered at child's lower chest.
4. Thread right hand shoulder harness through back side of O-ring, clip it into buckle over child's left shoulder, and tighten by pulling the loose end from over the child's right shoulder.
5. Fasten lap belt buckle and tighten snugly.

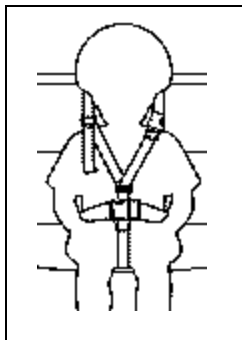
WARNING! ALWAYS ADJUST SHOULDER HARNESS AND CROTCH STRAP SO THEY MEET AT CHILD'S LOWER CHEST. ADJUSTING HARNESSES AND BUCKLES NEAR YOUR CHILD'S NECK COULD CAUSE SERIOUS INJURY.

Two Children

1. Unclip both shoulder harnesses from side release buckles and unthread from O-rings.
2. Seat children in trailer.
3. Place outer crotch strap between legs and adjust so O-rings are centered at children's lower chest.
4. Thread shoulder harnesses through back side of O-rings, clip into buckles over the children's right shoulder and tighten by pulling the loose end from over the children's left shoulder.
5. Fasten lap belt buckle and tighten snugly.

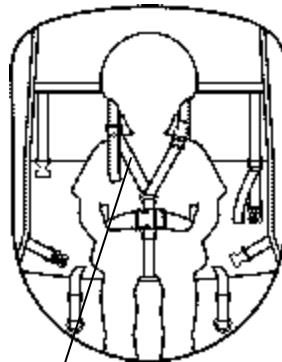
WARNING! FAILURE TO SEAT SINGLE CHILD IN THE CENTRE POSITION ON A DOUBLE CHILD CARRIER COULD CAUSE THE CARRIER TO TIP OVER CAUSING SERIOUS INJURY OR DEATH.

SINGLE CHILD CARRIER



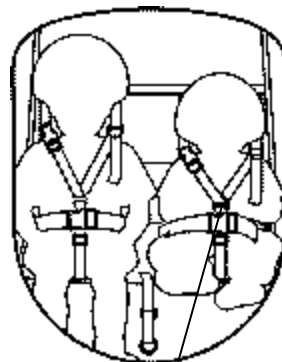
DOUBLE CHILD CARRIER

ONE CHILD



right hand
shoulder
harness

TWO CHILDREN



centre
O-ring at
lower
chest

OPTIONS

Vous pouvez vous procurer les options suivantes auprès de votre détaillant Chariot Local

TROUSSES DE TRANSFORMATION CHARIOT CTS

Trousse marche partielle #20100402 : Pour Cheetah 1, 2 et Cougar 1, 2 1997-2002.

Trousse de remorque pour vélo #20100502 : Pour Cheetah 1, 2 et Cougar 1, 2 1997-2002.

Trousse de randonnée #20100601 : Pour Cheetah 1, 2 et Cougar 1, 2 1997-2002.

Trousse de ski de fond #20100801 : Nouvelle trousse de ski de fond pour Cheetah 1, 2 et Cougar 1, 2 2002.

ACCESSOIRES CHARIOT

Hydratation #20100705 : 2 bouteilles et attaches pour remorques de jogging 1997-2002 et trousse 1993-2002.

Frein de jogging #20100704 : Frein et attache pour Cheetah 1, 2, et Cougar 1, 2.

Sac de voyage-simple #20100711 : Sac résistant avec sacs pour les roues. Remorques à une place.

Sac de voyage-double #20100712 : Sac résistant avec sacs pour les roues. Remorques à deux places.

Coussin/support casque #20100706 : Coussin ajustable et support pour le casque (tous les modèles).

Sacs à dos #20100707 : Un sac à dos pour maman et un petit sac à dos pour l'enfant.

Attache montée à l'essieu #20100708 : Remplace l'attache des années antérieures qui n'est pas compatible avec certains vélos.

Attache montée à l'essieu partielle #20100709 : Vient avec les éléments de l'attache pour un 2^e vélo.

Housse de rangement-simple #20100713 : Nouvelle housse qui protège les remorques à une place contre les éléments.

Housse de rangement-double #20100714 : Nouvelle housse qui protège les remorques à deux places contre les éléments.

Toile contre les intempéries #20100716 : Pour Cheetah 1 ou Cougar 1 1997-2002.

Toile contre les intempéries #20100717 : Pour Cheetah 2 ou Cougar 2 1997-2002.

Adaptateurs à essieu pour ski de fond #20100718 : Remplace les essieux pour convertir la trousse de ski de fond pour Cheetah et Cougar 1998-2001.

PLACE DES ENFANTS ET CEINTURES DE SÉCURITÉ

La charge maximale est de 75 lb/34 kg pour la poussette de jogging à une place et de 100 lb/45 kg pour la poussette à deux places, y compris les enfants, bagages et autres effets.

Les enfants doivent être âgés d'au moins un an et pouvoir se tenir assis sans aide.

La tête des enfants, en tenant compte du casque qu'ils portent, ne doit pas dépasser le cadre supérieur lorsqu'ils sont assis.

MISE EN GARDE!

LE DÉFAUT DE BIEN ATTACHER LES CEINTURES DE SÉCURITÉ PEUT, EN CAS D'ACCIDENT, ENTRAÎNER DES BLESSURES GRAVES OU MORTELLES POUR LES ENFANTS QUI PRENNENT PLACE DANS LA REMORQUE.

Un enfant

1. Détachez les harnais d'épaule des boucles latérales et retirez les courroies des anneaux.
2. Placez l'enfant au milieu du siège.
3. Placez la courroie de l'entrejambe entre les jambes de l'enfant et réglez-la de sorte que l'anneau soit au centre du bas de la poitrine.
4. Faites passer le harnais d'épaule droit au travers de l'anneau (de l'arrière vers l'avant) et insérez-le dans la boucle au-dessus de l'épaule gauche de l'enfant, puis serrez en tirant l'extrémité de la courroie qui se trouve au-dessus de l'épaule droite de l'enfant.
5. Fixez la boucle de la ceinture de taille et serrez-la bien.

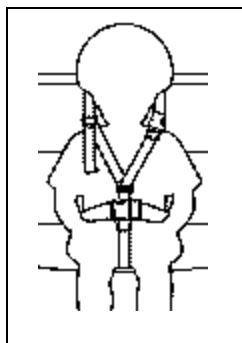
MISE EN GARDE!

TOUJOURS FIXER LE HARNAIS D'ÉPAULE ET LA COURROIE DE L'ENTREJAMBE DE SORTE QU'ILS SE REJOIGNENT AU NIVEAU DU BAS DE LA POITRINE DE L'ENFANT. IL PEUT ÊTRE DANGEREUX POUR L'ENFANT DE FIXER LE HARNAIS ET LES BOUCLES AU NIVEAU DE COU.

Deux enfants

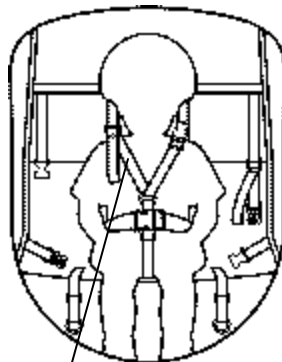
1. Détachez les harnais d'épaule des boucles latérales et sortez les courroies des anneaux.
2. Placez les enfants dans la remorque.
3. Placez les courroies extérieures de l'entrejambe entre les jambes de chaque enfant et réglez-les de sorte que l'anneau se situe au centre du bas de la poitrine de chaque enfant.
4. Faites passer les harnais d'épaule au travers des anneaux (de l'arrière vers l'avant) et insérez-les dans la boucle au-dessus de l'épaule droite de chaque enfant, puis serrez en tirant l'extrémité de la courroie qui se trouve au-dessus de l'épaule gauche de chaque enfant.
5. Fixez la boucle de la ceinture de taille et serrez-la bien.

REMORQUE À UNE PLACE



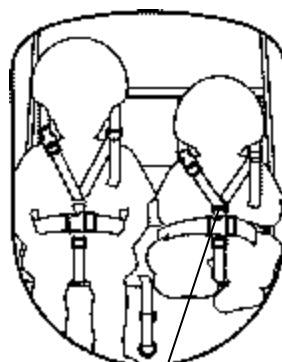
REMORQUE À DEUX PLACES

UN ENFANT



Harnais d'épaule droit

DEUX ENFANTS

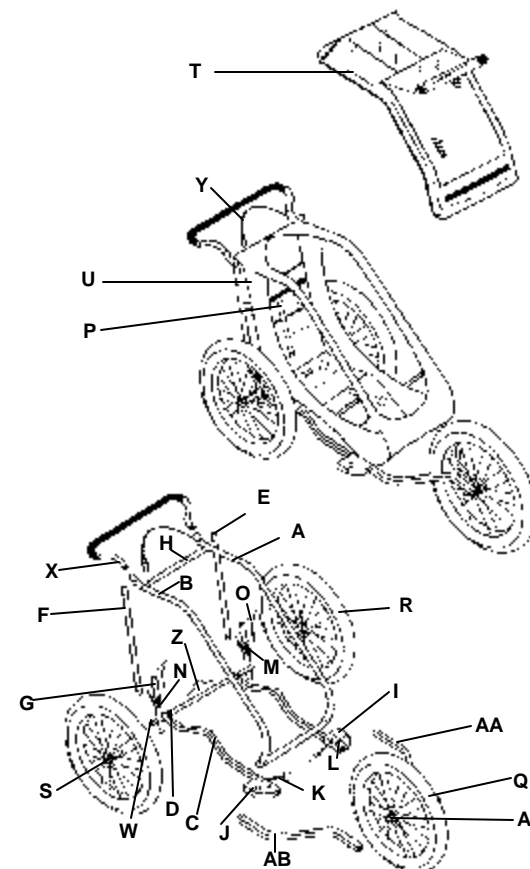


Centrer l'anneau au bas de la poitrine

COUGAR 1

PARTS LIST

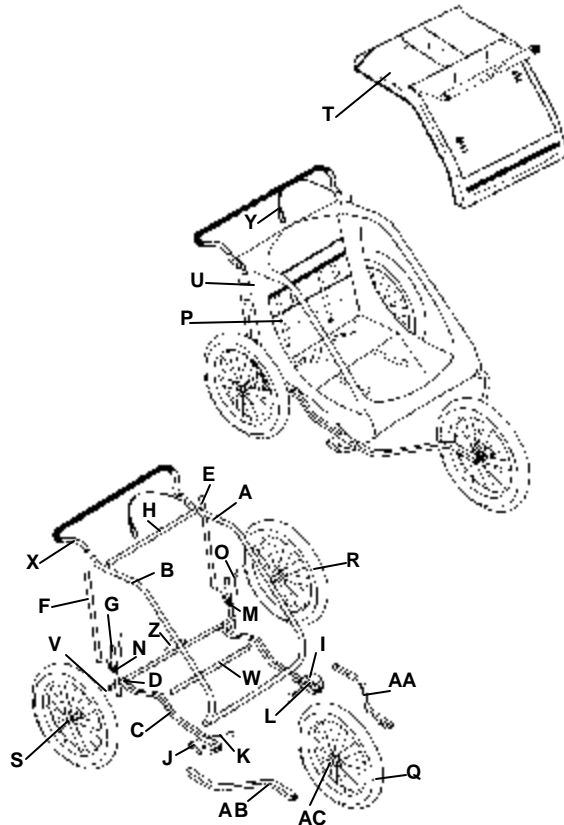
Part #	Part	Quantity	Part #	Part	Quantity
A 40100135	Upper Frame - Left	1	P 40200106	Shoulder Harness	1
B 40100136	Upper Frame - Right	1	Q 50101730	Alloy Wheel (qr) 16"	1
C 41100224	Lower Frame	2	R 50101729	Alloy Wheel (hollow bearing) 20"	2
D 41101290	Lower Frame Bracket	2	S 50101305	Clevis Axle	2
E 40100423	Back Frame - Left	1	T 31100503/4	Weather Cover	1
F 40100424	Back Frame - Right	1	U 30100503/4	Fabric Body	1
G 40100722	Back Tube	2	W 50103101	Axle Adapter	2
H 40100626	Seat Frame	1	X 40101311	Handlebar	1
I 40101510	Wheel Arm Attachment Bracket - Lt.	1	Y 40202011	Wrist Safety Strap	1
J 40101511	Wheel Arm Attachment Bracket - Rt.	1	Z 40101922	Parking Brake Assembly w/Axle	1
K 40202006	Wheel Arm Safety Snap Pin	2	AA 41101024	Wheel Arm with Bracket - Left	1
L 50100901	D-Ring	1	AB 41101025	Wheel Arm with Bracket - Right	1
M 41101283	Back Bracket - Left	2	AC 50103012	Quick Release Skewer	1
N 41101284	Back Bracket - Right	2	AD 33100501/2	Cargo Bag (not shown)	1
O 40202007	Securing Pin	2			



COUGAR 2

PARTS LIST

Part #	Part	Quantity	Part #	Part	Quantity
A	40100133 Upper Frame - Left	1	Q	50101730 Alloy Wheel (qr) 16"	1
B	40100134 Upper Frame - Right	1	R	50101729 Alloy Wheel (hollow bearing) 20"	2
C	41100224 Lower Frame	2	S	50101305 Clevis Axle	2
D	41101290 Lower Frame Bracket	2	T	31100901/2 Weather Cover	1
E	40100423 Back Frame - Left	1	U	30100901/2 Fabric Body	1
F	40100424 Back Frame - Right	1	V	50103101 Axle Adapter	2
G	40100722 Back Tube	2	W	40100625 Lower Seat Bar	1
H	40100624 Seat Frame	1	X	40101329 Handlebar	1
I	40101510 Wheel Arm Attachment Bracket - Lt.	1	Y	40202011 Wrist Safety Strap	1
J	40101511 Wheel Arm Attachment Bracket - Rt.	1	Z	40101923 Parking Brake Assembly w/Axle	1
K	40202006 Wheel Arm Safety Snap Pin	2	AA	41101035 Wheel Arm with Bracket - Left	1
L	50100901 D-Ring	1	AB	41101036 Wheel Arm with Bracket - Right	1
M	41101283 Back Bracket - Left	2	AC	50103012 Quick Release Skewer	1
N	41101284 Back Bracket - Right	2	AD	33100901/2 Cargo Bag (not shown)	1
O	40202007 Securing Pin	2			
P	40200106 Shoulder Harness	1			



ASSEMBLAGE DU GUIDON

1. Insérez les deux extrémités du guidon dans les embouts en aluminium supérieurs situés à l'arrière de la poussette. **Figure 7**
2. Appuyez sur les deux boutons à ressort et enfoncez le guidon dans les embouts jusqu'à ce que les deux boutons apparaissent à nouveau dans les trous situés à l'intérieur des embouts.

REMARQUE : La hauteur du guidon est réglable. Il suffit d'enlever le guidon, de le tourner de 180 degrés et de l'insérer à nouveau dans les embouts.

MISE EN GARDE! SI LE GUIDON ET LA COURROIE DE SÉCURITÉ NE SONT PAS FIXÉS COMME IL FAUT, VOUS POURRIEZ PERDRE CONTRÔLE DE LA POUSSETTE ET CAUSER UN ACCIDENT OU DES BLESSURES GRAVES.

FIGURE 7

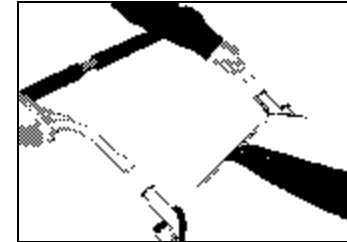
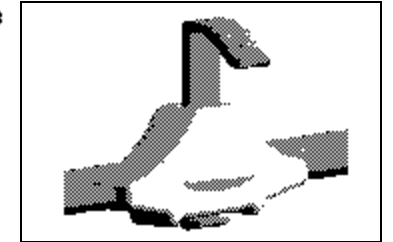


FIGURE 8



UTILISATION DU FREIN DE STATIONNEMENT

Le frein de stationnement est situé au centre de l'essieu arrière sous le sac de rangement.

1. Pour engager le frein de stationnement, appuyez sur le poussoir sur le boîtier de frein. **Figure 8**
2. Pour désengager le frein de stationnement, levez le poussoir au bas du boîtier de frein.

SUSPENSION

(POUR LES MODÈLES COUGAR 1 ET 2 SEULEMENT)

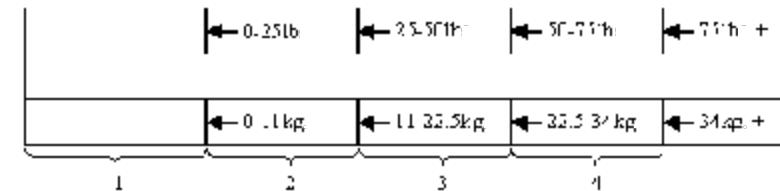
Tous les modèles Cougar sont munis d'une suspension ajustable. Quatre ajustements sont suggérés, mais la suspension peut être réglée à n'importe quel ajustement. Les poids ci-dessous sont suggérés lorsque la remorque est utilisée derrière un vélo et l'ajustement devra être modifié en conséquence lorsque la remorque est utilisée comme poussette de marche ou de jogging. Il est recommandé de faire des essais pour déterminer l'ajustement requis.

Remarque : Pour déterminer le poids, il faut cumuler le poids des passagers et des autres effets transportés.

Pour ajuster la suspension, il suffit de dévisser la poignée, de glisser le bras jusqu'au poids voulu et de resserrer la poignée.

Remarque : Il faut déplacer le bras jusqu'au point suivant les poids indiqués et non au-dessus de ceux-ci.

Si la suspension « cogne », cela signifie que l'ajustement du poids est trop bas et que vous devez glisser le bras plus loin vers l'arrière. Il est recommandé de régler la suspension à la même position des deux côtés, mais il est possible de choisir des réglages différents si l'un des enfants est plus lourd que l'autre. Tel que l'illustre la figure ci-dessous, la position 1 représente la charge la plus légère et la position 4, la charge la plus lourde.



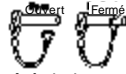
SAC DE RANGEMENT ARRIÈRE

Votre remorque Chariot est munie de deux sacs de rangement arrière. Le premier sac en filet est situé directement derrière le siège. Sa capacité est de 2,2 lb/1 kg. Le second sac de rangement est situé au bas de la remorque à l'arrière.

Le sac est muni de trois courroies que vous pouvez utiliser pour attacher la roue avant de votre poussette de jogging si vous avez acheté une trousse de remorque, et si vous voulez transporter les éléments de la trousse de jogging avec la remorque.

ASSEMBLAGE DES ROUES...

- Insérez les bras de roues dans les fixations des bras de roues. Si elles sont posées comme il faut, les pattes de fixation des roues devraient être situées sous les bras de roues et l'embout du bras devrait être visible à l'arrière des fixations des bras de roues. **Figure 4**
- Insérez les goupilles de sécurité au travers des trous des fixations **ET** des bras de roues.
Fixer la boucle sur chaque goupille de sécurité.
- Fixez l'essieu à déagagement rapide dans l'essieu creux de la roue, en gardant un ressort de chaque côté de la roue et en vissant un boulon de l'autre côté.
- Faites glisser l'essieu de la roue dans les bras de roue.
- Après avoir placé le levier de déagagement rapide en position ouverte à 90° sur les pattes de fixation de la roue (c'est-à-dire pointé directement vers l'extérieur), resserrez à la main l'écrou à l'arrière de la cheville de déagagement rapide.
- Fermez le levier de déagagement rapide en le poussant à plat contre les pattes de fixation de la roue. Pour vous assurer que l'écrou est bien ajusté, vous devez sentir une résistance jusqu'à mi-chemin lorsque vous poussez le levier contre la roue. Assurez-vous que lorsqu'il est repoussé, le levier pointe vers l'arrière de la poussette. **Figure 5**



IMPORTANT : Pour vous assurer que la roue est bien installée, tirez-la pour essayer de la dégager des pattes de fixation.

- Gonflez les pneus à une pression de 30 à 35 lb/po².

MISE EN GARDE! SI LES ROUES NE SONT PAS FIXÉES COMME IL FAUT, ELLES POURRAIENT SE DÉTACHER ET CAUSER UN ACCIDENT OU DES BLESSURES GRAVES.

FIGURE 4

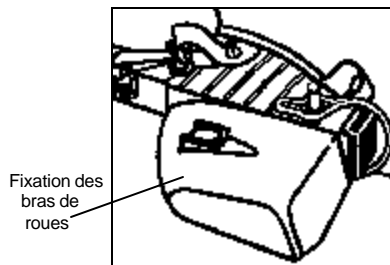


FIGURE 5 - CHEETAH

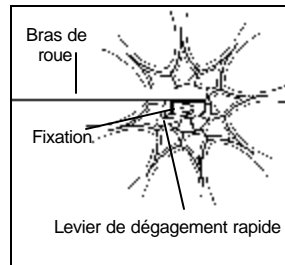
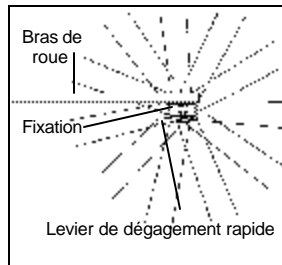


FIGURE 5 - COUGAR



MONTAGE DE LA TOILE DE RECOUVREMENT

- Fixer les boucles du coin arrière de la toile de recouvrement sur les embouts en aluminium supérieurs situés à l'arrière de la poussette. **Figure 6**
- Fixer les coins avant de la toile de recouvrement au moyen des bandes velcro qui se trouvent sur le cadre aux coins inférieurs en avant.

MISE EN GARDE! SI VOUS NE VOUS SERVEZ PAS DE LA TOILE DE RECOUVREMENT FOURNIE, VOTRE ENFANT SERA EXPOSÉ AUX ROCHES, AUX INSECTES ET À D'AUTRES DÉBRIS. VÉRIFIEZ RÉGULIÈREMENT L'ENFANT POUR ASSURER QU'IL/ELLE NE SOUFFRE PAS DE LA CHALEUR OU DU FROID.

Votre Chariot Carrier offre mesures de régulation de la température pour garantir le confort de votre enfant. Lorsqu'il fait froid, utiliser la housse anti-pluie pour garder l'enfant bien au chaud. S'il fait trop chaud, ou s'il n'y pas suffisamment de ventilation, ouvrir l'une ou les deux fenêtres triangulaires latérales (modèles Cougar). Pour une meilleure ventilation, enrouler la housse anti-pluie et l'attacher au moyen des boucles élastiques qui se trouvent à chaque bout. Si le soleil est trop éblouissant et gêne l'enfant, utiliser le panneau arrière comme pare-soleil. Pour ce faire, passer le rabat arrière vers l'avant de la remorque et le fixer au moyen des crochets et boucles situés sur le cadre supérieur, puis poser à nouveau la toile de recouvrement.

IMPORTANT : Prière de lire attentivement les instructions avant d'utiliser votre Chariot Carrier.

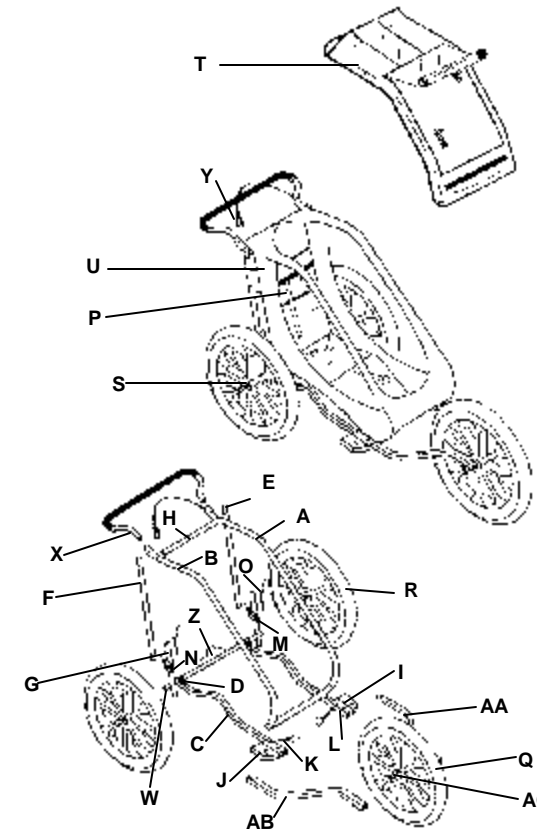
FIGURE 6



CHEETAH 1

PARTS LIST

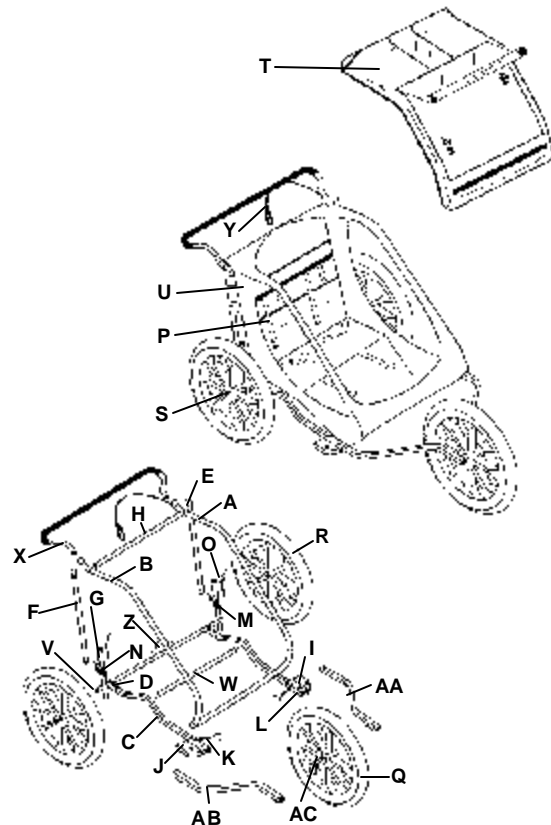
Part #	Part	Quantity	Part #	Part	Quantity
A 40100135	Upper Frame - Left	.1	Q 50101732	Plastic Wheel (qr) 16"	.1
B 40100136	Upper Frame - Right	.1	R 50101733	Plastic Wheel (hollow bearing) 20"	.2
C 41100222	Lower Frame	.2	S 50101305	Clevis Axle	.2
D 41101290	Lower Frame Bracket	.2	T 31100406/7	Weather Cover	.1
E 40100423	Back Frame - Left	.1	U 30100406/7	Fabric Body	.1
F 40100424	Back Frame - Right	.1	W 50103101	Axle Adapter	.2
G 40100722	Back Tube	.2	X 40101311	Handlebar	.1
H 40100626	Seat Frame	.1	Y 40202011	Wrist Safety Strap	.1
I 40101510	Wheel Arm Attachment Bracket - Lt.	.1	Z 40101922	Parking Brake Assembly w/Axle	.1
J 40101511	Wheel Arm Attachment Bracket - Rt.	.1	AA 41101024	Wheel Arm with Bracket - Left	.1
K 40202006	Wheel Arm Safety Snap Pin	.2	AB 41101025	Wheel Arm with Bracket - Right	.1
L 50100901	D-Ring	.1	AC 50103012	Quick Release Skewer	.1
M 41101283	Back Bracket - Left	.2	AD 33100401/2	Cargo Bag (not shown)	.1
N 41101284	Back Bracket - Right	.2			
O 40202007	Securing Pin	.2			
P 40200104	Shoulder Harness	.1			



CHEETAH 2

PARTS LIST

Part #	Part	Quantity	Part #	Part	Quantity		
A	40100133	Upper Frame - Left	1	Q	50101732	Plastic Wheel (qr) 16"	1
B	40100134	Upper Frame - Right	1	R	50101733	Plastic Wheel (hollow bearing) 20"	2
C	41100223	Lower Frame	2	S	50101305	Clevis Axle	2
D	41101290	Lower Frame Bracket	2	T	31100801/2	Weather Cover	1
E	40100423	Back Frame - Left	1	U	30100801/2	Fabric Body	1
F	40100424	Back Frame - Right	1	V	50103101	Axle Adapter	2
G	40100722	Back Tube	2	W	40100625	Seat Bar	2
H	40100624	Seat Frame	1	X	40101329	Handlebar	1
I	40101510	Wheel Arm Attachment Bracket - Lt.	1	Y	40202011	Wrist Safety Strap	1
J	40101511	Wheel Arm Attachment Bracket - Rt.	1	Z	40101923	Parking Brake Assembly w/Axle	1
K	40202006	Wheel Arm Safety Snap Pin	2	AA	41101035	Wheel Arm with Bracket - Left	1
L	50100901	D-Ring	1	AB	41101036	Wheel Arm with Bracket - Right	1
M	41101283	Back Bracket - Left	2	AC	50103012	Quick Release Skewer	1
N	41101284	Back Bracket - Right	2	AD	33100801/2	Cargo Bag (not shown)	1
O	40202007	Securing Pin	2				
P	40200104	Shoulder Harness	1				



ASSEMBLAGE

Votre Chariot Carrier est presque entièrement assemblée et les derniers préparatifs ne vous demanderont que quelques minutes. Par la suite, il ne vous faudra que quelques secondes pour la plier et la déplier.

Remarque : Toute référence à la gauche ou à la droite est du point de vue du passager assis dans la remorque.

A. CHARIOT CARRIER

1. Placez-vous à l'arrière de la remorque. Tirez le cadre supérieur vers le haut jusqu'à extension complète.
2. Tirez les barres inférieures, gauche et droite, vers l'arrière jusqu'au point d'enclenchement complet au-dessus de la partie centrale et de blocage du goujon de fixation.

AVERTISSEMENT : POUR ÉVITER DE SE PINCER LES DOIGTS, TIRER LES BARRES INFÉRIEURES À L'ARRIÈRE DES SUPPORTS D'ARTICULATION.

3. Insérez les goupilles de sécurité (qui pendent au bout de lanières attachées au cadre) dans les perforations des supports d'articulation. **Figure 1**
4. Pour plier la remorque, enlevez les goupilles de sécurité, appuyez sur le bouton de blocage automatique et poussez les barres inférieures, gauche et droite, jusqu'à ce que la remorque soit complètement pliée. **Figure 2**

REMARQUE : Il ne faut pas essayer de plier la remorque sans appuyer sur le bouton de blocage automatique.

MISE EN GARDE! LE DÉFAUT D'INSÉRER SOLIDEMENT LES GOUPILLES PEUT CAUSER L'AFFAISSEMENT DE LA POUSSETTE. LES PASSAGERS PEUVENT SUBIR DES BLESSURES.

FIGURE 1

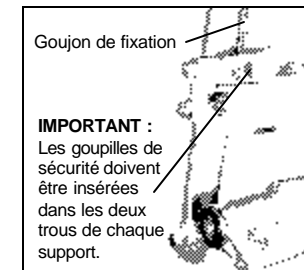


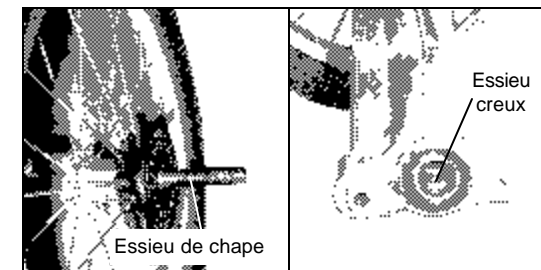
FIGURE 2



B. ASSEMBLAGE DES ROUES

1. À l'aide de votre pouce, enfoncez la capuchon en caoutchouc sur le moyeu de la roue et insérez l'essieu de chape dans l'essieu creux. Un bruit sec se fera entendre pour indiquer que l'essieu est complètement enclenché et bien en place.
- IMPORTANT :** Pour vous assurer que l'essieu est bien en place, tirez la roue vers vous après l'avoir installée. Elle devrait demeurer bloquée en position. Si ce n'est pas le cas, il ne faut pas utiliser la remorque et se rendre chez votre détaillant Chariot pour la faire réparer.
3. Suivez les mêmes instructions pour l'autre côté et remettez ensuite la poussette debout (sur ses roues).

FIGURE 3



AVERTISSEMENT GÉNÉRAL!

Le présent guide renferme de nombreux **AVERTISSEMENTS** et **mises en garde**. Veuillez lire tous les **AVERTISSEMENTS** et **mises en garde** et vous assurer de bien les comprendre. Le fait de ne pas assembler et utiliser la remorque correctement pourrait entraîner de graves blessures ou la perte de la vie, pour vous ou vos passagers.

- ~ Il ne faut pas installer à l'intérieur de la remorque un siège d'auto ou tout autre siège non approuvé par le fabricant.
- ~ Il ne faut pas modifier la remorque.
- ~ La remorque peut devenir instable si un sac ou support à colis y est fixé.
- ~ Il faut éviter que le corps de l'enfant, ses vêtements, lacets ou jouets entrent en contact avec les pièces mobiles.
- ~ Il ne faut jamais laisser les enfants dans la remorque sans surveillance.
- ~ Le fait de ne pas respecter les instructions du fabricant peut entraîner de graves blessures ou même la perte de la vie pour le cycliste ou le(s) passager(s).
- ~ La charge maximale est de 75 lb/34 kg pour la remorque à une place et de 100 lb/45 kg pour la remorque à deux places, y compris les enfants, bagages et autres effets. Il ne faut pas transporter des enfants dont le poids est supérieur à la charge maximale.
- ~ Il ne faut pas utiliser de solvants de nettoyage. Nettoyer la remorque avec un savon doux et de l'eau seulement.
- ~ Lorsqu'il n'y a qu'un seul passager dans la remorque, ce dernier doit être assis au centre.
- ~ Les passagers doivent toujours porter une ceinture de sécurité.
- ~ Les enfants doivent être âgés d'au moins un an et pouvoir se tenir assis sans aide.
- ~ La pression maximale des pneus doit être de 30 à 35 lb/po².
- ~ Il faut prendre garde de ne pas se coincer les doigts au moment de plier ou de déplier la remorque.
- ~ Il faut utiliser les courroies de sécurité pour les poignets en tout temps.
- ~ Il faut toujours utiliser le frein de stationnement lorsque la remorque est stationnaire.
- ~ Il ne faut jamais faire du patin à roues alignées avec votre remorque. Un accident grave pourrait se produire et entraîner de graves blessures ou la perte de la vie.
- ~ La charge de la pochette arrière ne doit pas dépasser 4 lb/1,8 kg. Le transport d'une charge d'un poids supérieur pourrait rendre la remorque instable.

Lorsque la remorque est utilisée derrière un vélo, il faut respecter ce qui suit:

- ~ Un cataphote conforme aux règlements de la CPSC doit être visible à l'arrière de la remorque.
- ~ Avant chaque randonnée, il faut s'assurer que la remorque n'entrave pas le fonctionnement des freins, des pédales ou du guidon du vélo.
- ~ Il ne faut jamais utiliser un vélo lorsqu'il fait nuit sans phares adéquats. Il faut respecter tous les règlements locaux sur l'éclairage.
- ~ Il faut être très prudent et ne jamais dépasser une vitesse de 25 km/h. Il faut ralentir à moins de 5 km/h en tournant les coins et sur les routes en mauvais état.
- ~ Les enfants doivent porter un casque protecteur approuvé par la CPSC ou le CE.
- ~ L'utilisation d'une remorque modifie la stabilité, le comportement des freins et la maniabilité de votre vélo.
- ~ Il faut toujours utiliser des fanions pour augmenter la visibilité.
- ~ Les remorques peuvent basculer, ce qui pourrait occasionner de graves blessures pour le cycliste ou le(s) passager(s).
- ~ Une remorque dont la roue heurte un obstacle peut basculer, quelque soit la vitesse!



OPTIONS

The following options are available for purchase at your local Chariot Dealer.

CHARIOT CTS COVERSION KITS:

Partial CTS Stroller Kit #20100402: For 1997-2002 Cheetah 1, 2 & Cougar 1, 2.

CTS Trailer Kit #20100502: For 1997-2002 Cheetah 1, 2 & Cougar 1, 2.

CTS Hiker Kit #20100601: For 1997-2002 Cheetah 1, 2 & Cougar 1, 2.

XC Ski Kit #20100801: A cross-country ski conversion kit for 2002 Cheetah 1, 2 & Cougar 1, 2.

CHARIOT ACCESSORIES:

Hydration Kit #20100705: Water bottles & brackets for 1997-2002 Jogging Strollers and 1993-2002 Kits.

Jogging Brake Kit #20100704 : Brake & attachments for Cheetah 1, 2 & Cougar 1, 2.

Single Travel Bag #20100711: Heavy duty travel bag with wheel covers for single child carriers.

Double Travel Bag #20100712: Heavy duty travel bag with wheel covers for double child carriers.

Helmet Shelf #20100706: A height adjustable child pad or helmet shelf for all model carriers.

Chariot Backpack Set #20100707: A backpack/diaper bag for mom and a small backpack for junior.

Axle-Mount Hitch #20100708: Replaces previous year hitches that are not compatible with some bikes.

Partial Axle-Mount Hitch #20100709: Comes with only the hitch components required for adding to a second bike.

Single Storage Cover #20100713: A cover to protect single child carriers from the elements (while stored).

Double Storage Cover #20100714: A cover to protect double child carriers from the elements (while stored).

Plastic Rain Cover #20100716: For 1997-2002 Cheetah 1 or Cougar 1.

Plastic Rain Cover #20100717: For 1997-2002 Cheetah 2 or Cougar 2.

XC Ski Axle Adapters #20100718: Replacement axles to convert XC Ski Kit for 1998-2001 Cheetahs & Cougars.



COUGAR 1 / COUGAR 2 CHEETAH 1 / CHEETAH 2

Guide d'utilisation

FÉLICITATIONS!

Félicitations d'avoir choisi un Chariot Carrier, composante principale du meilleur système de transport d'enfants qui soit. Votre nouvelle remorque offre une qualité supérieure ainsi qu'une sécurité et un confort sans pareils. En outre, les trousse de transformation Chariot Carrier vous procurent la souplesse qu'il vous faut pour tous vos déplacements avec vos enfants. Vous pouvez vous procurer auprès de votre détaillant de produits Chariot les trousse de transformation suivantes : 1. Trousse de remorque 2. Trousse de marche 3. Trousse de randonnée 4. Trousse de ski de fond

Merci d'avoir acheté un produit Chariot Carrier un produit canadien! 🇨🇦



Prière de lire attentivement les instructions avant d'utiliser votre remorque.

Table des matières

Directives de sécurité	.14
Entretien et entreposage de la remorque	.14
Avertissement général!	.15
Assemblage	
Chariot Carrier	.16
Assemblage des roues	.16
Montage de la toile de recouvrement	.17
Assemblage du guidon	.18
Instructions d'utilisation	
Frein de stationnement	.18
Ceinture de sécurité	.19
Options	.20
Liste de pièces et diagramme	
Cougar 1	.21
Cougar 2	.22
Cheetah 1	.23
Cheetah 2	.24
Notes	.25
13 Garantie limitée à perpétuité	.26

DIRECTIVES DE SÉCURITÉ

Huit règles de sécurité importantes pour l'utilisation de votre remorque Chariot

- Lire toutes les instructions avant utilisation!**
Le défaut de lire, de comprendre et de suivre ces instructions peut entraîner des accidents qui pourraient autrement être évités et causer des blessures graves ou mortelles pour vous ou pour vos passagers.
- Il vous incombe d'utiliser ce produit de façon appropriée et sécuritaire!**
- Ne modifiez d'aucune façon votre remorque.**
- L'âge minimal pour un enfant est un an, et l'enfant devrait être capable de se tenir assis. Consultez votre pédiatre avant de circuler avec un enfant de moins d'un an.**
- La charge maximale est de 75 lb/34 kg pour la poussette de jogging à une place et de 100 lb/45 kg pour la poussette à deux places, y compris les enfants, bagages et autres effets.**
Les articles transportés dans la remorque devraient être fixés solidement en place pour éviter qu'ils se déplacent en route. Des charges instables ou la surcharge de la remorque lui font perdre de la stabilité et la rendent plus difficile à contrôler.
- Bouclez toujours solidement les courroies d'épaules, la courroie de cuisses et la sangle d'entre-jambes lorsque des enfants prennent place dans la remorque.**
Vérifiez périodiquement l'emplacement des courroies d'épaules, surtout si l'enfant est endormi. Assurez-vous que les enfants ne peuvent pas se mettre les doigts dans les rayons des roues. Dites bien aux enfants qu'ils ne doivent pas sauter ou se balancer dans la remorque et qu'ils ne doivent pas non plus se pencher en dehors.
- Ne laissez pas les enfants sans surveillance dans la remorque.**
- Pour assurer une conduite en douceur, maintenez la pression des pneus entre 30 et 35 lb/po². Vérifiez la pression avant chaque utilisation.**
Le fait de trop gonfler les pneus ou d'utiliser des pneus à pression élevée peut faire basculer la remorque sur un côté.

ENTRETIEN ET ENTREPOSAGE

- Entretien**
Vérifiez périodiquement la remorque pour vous assurer qu'elle n'est pas endommagée, craquelée, etc. Toute pièce des remorques Chariot endommagée/détériorée devrait être réparée/remplacée immédiatement pour diminuer la possibilité de blessures.
- Entretien de la toile**
Votre remorque Chariot est faite de tissu hydrofuge durable et résistant. Nettoyez la toile à l'aide d'un savon destiné à l'entretien ménager ou d'un détergent doux dans de l'eau tiède. Bien assécher à l'aide d'un chiffon. N'utilisez pas de séchoir.
- Roues**
Les roues et les essieux doivent être vérifiés par un détaillant Chariot au moins deux fois par année. Chaque fois que vous utilisez votre remorque Chariot, vérifiez les roues pour vous assurer qu'elles ne sont pas endommagées, et vérifiez les essieux pour vous assurer qu'ils sont bien installés (voir pages 16 et 17 pour plus de détails). Si les essieux bloquent ou semblent serrés, les essuyer avec un linge sec et utiliser un peu de lubrifiant. **Remarque : utiliser un lubrifiant à base d'huile seulement.**
- Entreposage**
Entreposez votre remorque dans un lieu sec et bien ventilé. **Pour éviter la moisissure, assurez-vous que la remorque est bien sèche avant de l'entreposer.** Pour éviter la perte d'éclat des couleurs, ne laissez pas votre remorque au soleil lorsque vous ne l'utilisez pas. N'entreposez pas la remorque arrimée à votre vélo.

Il faut vérifier toutes les pièces chaque fois que vous utilisez votre remorque!!