

CONTENTS

INTRODUCTION	1
MOUNTING RECOMMENDATIONS	2
PREPARATION INSTRUCTIONS	3
FAN INSTALLATION	4
CONTROL FEATURES:	
W-1811 OPERATION	11
TROUBLESHOOTING	12

READ AND SAVE THESE INSTRUCTIONS

SAFETY FIRST

Safety and the proper operation of your Casablanca fan both require a thorough knowledge of the product and proper installation; therefore, before attempting to install and operate your Casablanca fan, read this owner's manual completely and carefully. Retain this manual for future reference.

CAUTION: To avoid possible electrical shock, make certain that electricity is turned off at the circuit breaker or fuse box before attempting any installation procedure.

BEFORE YOU START

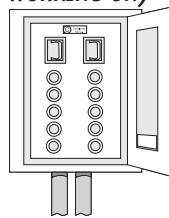
- All wiring must be in accordance with the National Electric Code ANSI/NFPA 70-1993 and the appropriate local electrical codes. The National Electric Code requires proper grounding as a precaution against electrical shock. A qualified electrician should be consulted if you are unsure.
- This fan is designed to be installed on an existing electrical outlet box. The outlet box must be UL Listed for ceiling fan installations. If it is not, a new box must be installed. Casablanca extension poles are available for sloped or high ceiling installations.
- This ceiling fan requires a grounded electrical supply of 120 VAC, 60 Hz and a minimum 15-amp circuit. The maximum current requirement for the fan with light fixture is 3.8 amps. The fan uses about 1 amp or 100 watts. Maximum light current is 0.83 amps (100 watts) of lighting.
- Where wire nuts are employed, be sure all bare wires are within the connectors. When installing the canopy hatch, make sure all wires are within the canopy and that no wires are being pinched.
- The fan must be supplied with 3 independent 120V AC supply wires to provide power for the fan, the light, and neutral.

**For best performance and for your warranty to be valid,
use only genuine Casablanca blades, light fixtures, and accessories.**

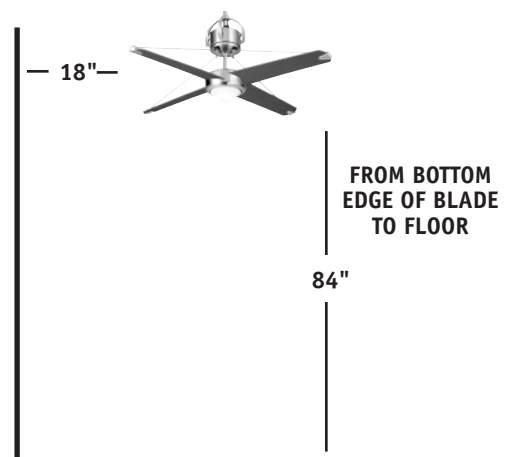
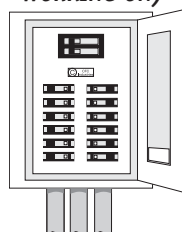
SAFE USE

- The blades in each pack are matched for equal weight to assure smooth fan operation. If more than one fan is being installed, be careful not to mix blades from different cartons.
- Inspect the contents of your carton for possible shipping or handling damage. If parts are missing or damaged, call 1-888-227-2178.
- It is always a good idea to have an assistant to help with the installation.
- When cleaning, painting, or working near your fan, be very careful of the fan and blades. Always turn the power OFF to the ceiling fan before servicing it, working on it, or replacing lightbulbs.
- Never insert anything into the path of the fan blades while the fan is in operation.
- Never install a fan over a pool or spa.
- Never operate a fan that has been damaged in any way. Contact Casablanca Fan Company by calling 1-888-227-2178, or contact your local Authorized Casablanca Dealer for assistance in obtaining service.

**FUSE BOX
(REMOVE FUSE FOR THE
CIRCUIT YOU WILL BE
WORKING ON)**



**CIRCUIT BREAKER
(TRIP BREAKER FOR THE
CIRCUIT YOU WILL BE
WORKING ON)**



**DIMENSIONS INDICATED ARE THE
MINIMUM ALLOWABLE FOR PROPER
INSTALLATION**

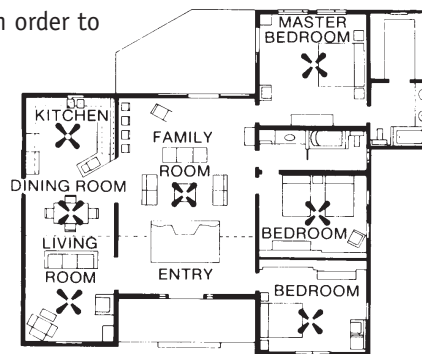
MOUNTING RECOMMENDATIONS

Before mounting your Casablanca fan, read the following helpful recommendations. The location of the fan, air circulation, and fan size are all important factors to consider before installation.

Location

Ceiling fans have practical uses in almost every room in your home. We suggest you follow these mounting recommendations as you decide where to install your Casablanca fan.

- For safety reasons, the fan blades must be a minimum of 7' above the floor.
- Do not locate the fan in a doorway or above a swinging door.
- In any installation, the tips of the blades must be at least 18" from the wall in order to provide sufficient clearance for the blades.
- In bedrooms, fans work best when mounted above the foot of the bed.
- Over pool tables, be sure to provide plenty of clearance to avoid damage from pool cues.
- In kitchens be sure to allow for open cupboard doors to clear the fan blades.
- Do not install a fan close to, or over, a pool or spa. High humidity combined with corrosive gases will destroy the finish and warp the blades.



Fan Size

Variable fan speed capability permits the use of a full-size 52" fan even in smaller rooms. For very large rooms, two fans may be needed.

SLOPED CEILING INSTALLATIONS

CAUTION: Installation of this fan requires a minimum 10-foot ceiling.

Suggested Extension Pole Lengths

Ceiling Height	Pole Length
10'	standard
10' 6"	standard
11'	18"
11' 6"	18"
12'	24"
13'	36"
14'	48"

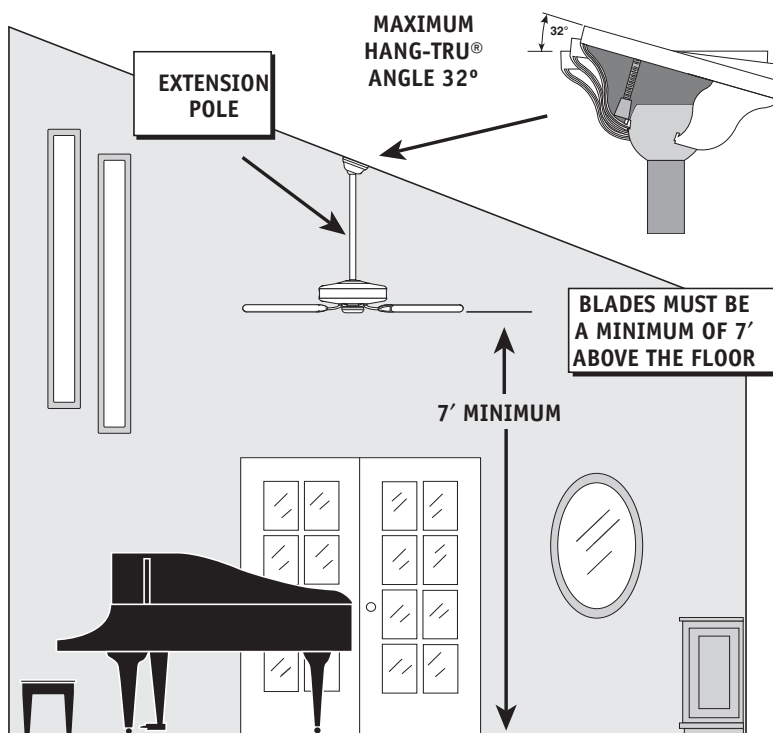
When to Use Extension Poles

For best performance and best appearance, an extension pole should be used with your Casablanca fan when installing on high (cathedral) ceilings or sloped ceilings. Casablanca offers standard poles in increments of 6" up to 5". Custom poles are available in lengths up to 10'. See your Authorized Casablanca Dealer for details.

Note: Fan may wobble or vibrate if pole length is not long enough and inside blade is too close to downslope or side wall. Extending pole length usually will solve problem.

Calculation of 32°

Use the tear-off *Ceiling Angle Template* card inserted in the back of this manual, it provides you with a simple "go" or "no-go" for installing your fan on a sloped ceiling.



EXAMPLE 1

This slope is less than 32°. It is OK to install your fan.

EXAMPLE 2

This slope is 32°. This is the maximum slope that will allow the fan to hang straight down. It is OK to install your fan.

EXAMPLE 3

This slope is more than 32°. Your fan will not hang straight down, an adaptor is necessary. Contact your local Authorized Casablanca Dealer in regards to purchasing a "Sloped Ceiling Adapter."



PREPARATION INSTRUCTIONS

Unpacking: Before assembling and installing your ceiling fan, remove all parts from the shipping cartons and check them against the parts listed here. Before discarding packaging material, be certain that all parts have been removed.

GETTING STARTED

Carton Contents

The fan carton contains the fan body, warranty card, owner's manual, and all the parts necessary to assemble and install your Casablanca ceiling fan. These parts are shown at the start of each installation section. Before you start, go through this Owner's Manual and confirm that you have all the parts shown in each section.

Be sure to use only genuine Casablanca blades. The blade shrink wrap holds 4 blades of matched weight. If more than one fan is being installed, be sure not to mix blade sets.

CAUTION: When removing the shrink wrap, be careful not to scratch the blades.

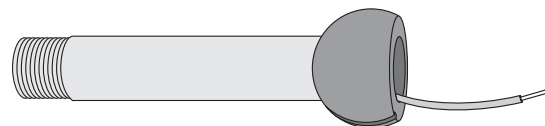
PERMA•LOCK™ HARDWARE



ALLEN SET SCREW
1/4-20 x 1/4"
(PRE-INSTALLED)



ALLEN WRENCH



DOWNROD & BALL ASSEMBLY

FAN PREPARATION

IMPORTANT SAFETY INFORMATION!
BEFORE STARTING THE INSTALLATION OF YOUR CEILING FAN, INSTALL THE THREADED DOWNROD INTO THE MOTOR COUPLING AND LOCK THE ASSEMBLY

Prepare for fan installation as follows:

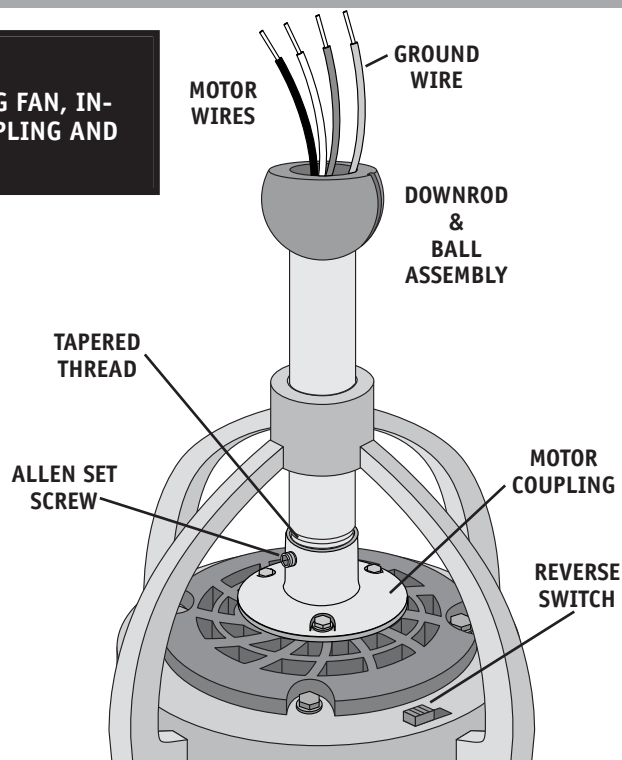
Step A. Route the wires from the motor through the Perma•Lock™ downrod and ball assembly, keeping the wires to one side of the cross pin.

NOTE: The downrod has a tapered thread that is designed to lock completely when correctly installed.

Step B. Using the provided Allen wrench, loosen the Allen set screw. Thread the downrod into the motor coupling until it stops turning, this will take at least four and a half full turns.

Step C. Securely tighten the Allen set screw with the provided Allen wrench to ensure safe operation of your fan.

CAUTION: Failure to fully lock in the downrod before securely tightening the locking bolt may cause the fan to fall during normal operation!



GETTING STARTED

Installing a New Ceiling Fixture Outlet Box

If you do not have an existing fixture located where you wish to place your Casablanca fan, an approved ceiling fixture outlet box must be installed and wired.

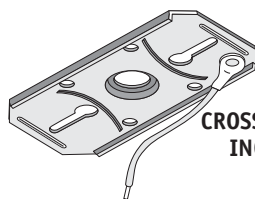
Warning: To reduce the risk of fire, electrical shock, or personal injury, mount to outlet box marked acceptable for ceiling fan support using the mounting hardware provided with the outlet box.

Using Existing Ceiling Fixture Outlet Box

After turning the power OFF at its source (either circuit breaker or fuse box), lower the old fixture and disconnect the wiring. Check the ceiling fixture outlet box to be sure that it is marked "Approved for ceiling fan mounting." If it is not, a new box must be installed.

NOTE: The fan weight is 37.5 pounds.

CEILING HARDWARE

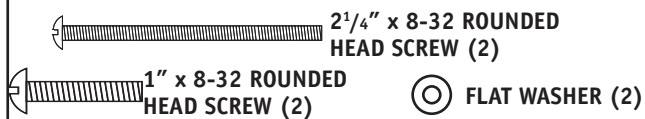


CROSSBAR MOUNTING BRACKET

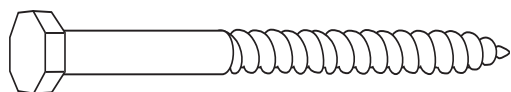


WIRE NUT (4)

ADDITIONAL HARDWARE



SUPPORT INSTALLATION PARTS



LAG SCREW
1/4" #7 X 5" (1)



LARGE FLAT WASHER
1/4" (1)

CROSSBAR MOUNTING BRACKET INSTALLATION

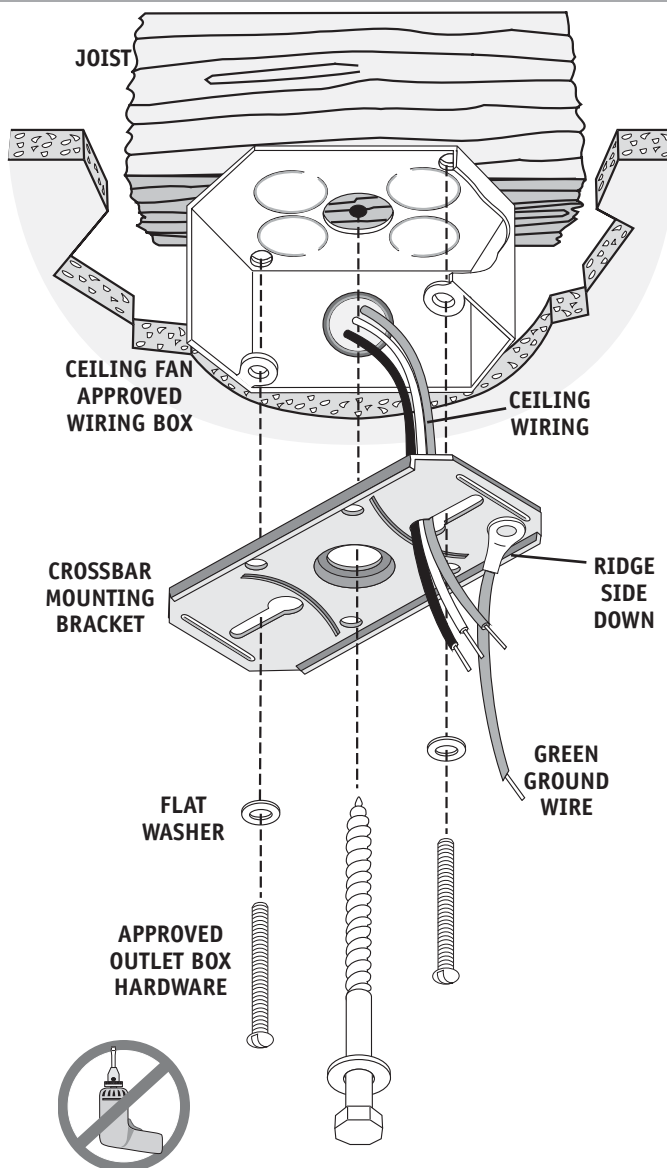
Note: After removing the old fixture, check the outlet box to ensure that it is supported by a joist or beam across its upper surface. If not, a 2" x 4" stud must be installed.

Step 1. Remove the knockout plug in the center of the outlet box or drill a 1/2" hole for the lag screw to pass through. Then drill a 1/4" guide hole into the joist or beam to a depth of 3".

Step 2. Route the outlet box wires through the keyhole slot of the crossbar mounting bracket as shown. Attach the crossbar mounting bracket to outlet box with screws provided, assuring that the outlet box wires are not pinched by the washer.

CAUTION: To reduce the risk of personal injury, use only the mounting hardware provided with the approved outlet box to install the crossbar mounting bracket.

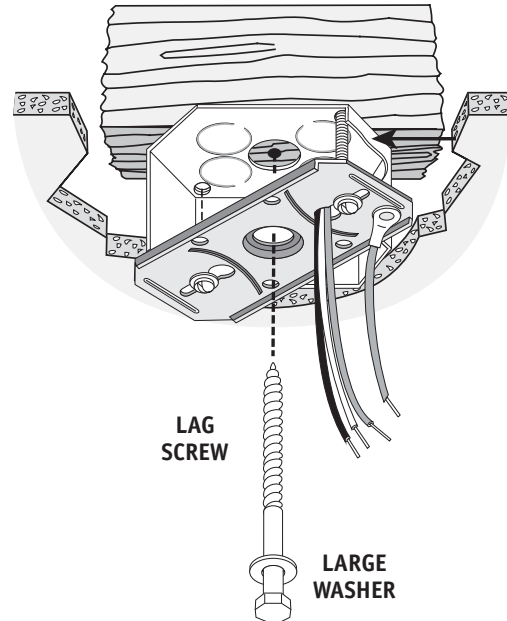
WARNING!
SUPPORT DIRECTLY TO
BUILDING STRUCTURE ONLY.



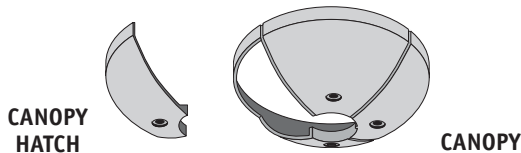


LAG SCREW INSTALLATION

Step 3. With the large washer attached, pass the lag screw through the center hole of the crossbar mounting bracket and screw into guide hole. Tighten until outlet box is firmly mounted to beam. This box must be secured firmly to the ceiling. We recommend that the ceiling fixture outlet box be of sufficient capacity enabling it to support the weight of fan and light fixture under any conditions.



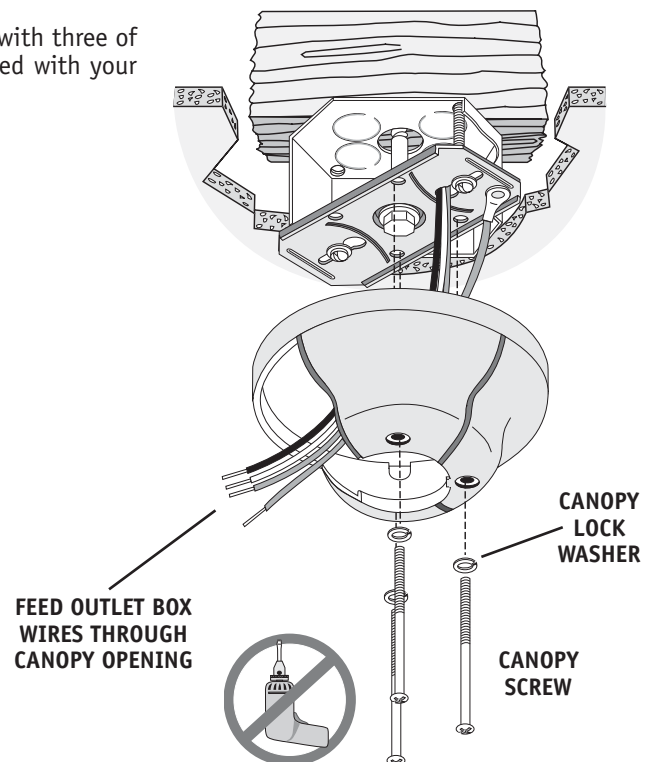
CANOPY HARDWARE



CANOPY INSTALLATION

Step 4. Attach the canopy to the crossbar mounting bracket with three of the 8-32 x 2 1/2" long canopy screws and lock washers provided with your Casablanca fan. Hand-tighten until snug against the ceiling.

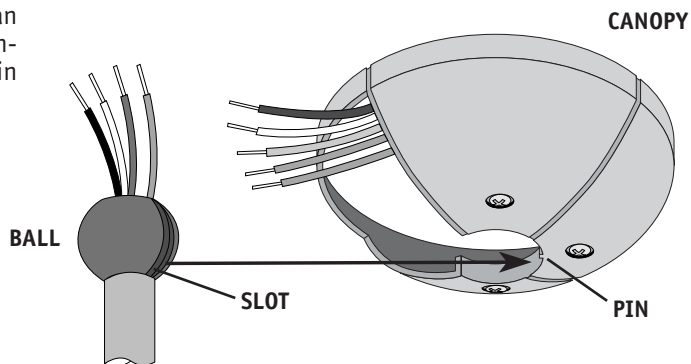
Note: On sloped ceilings, align the canopy opening toward the top or peak of the room.



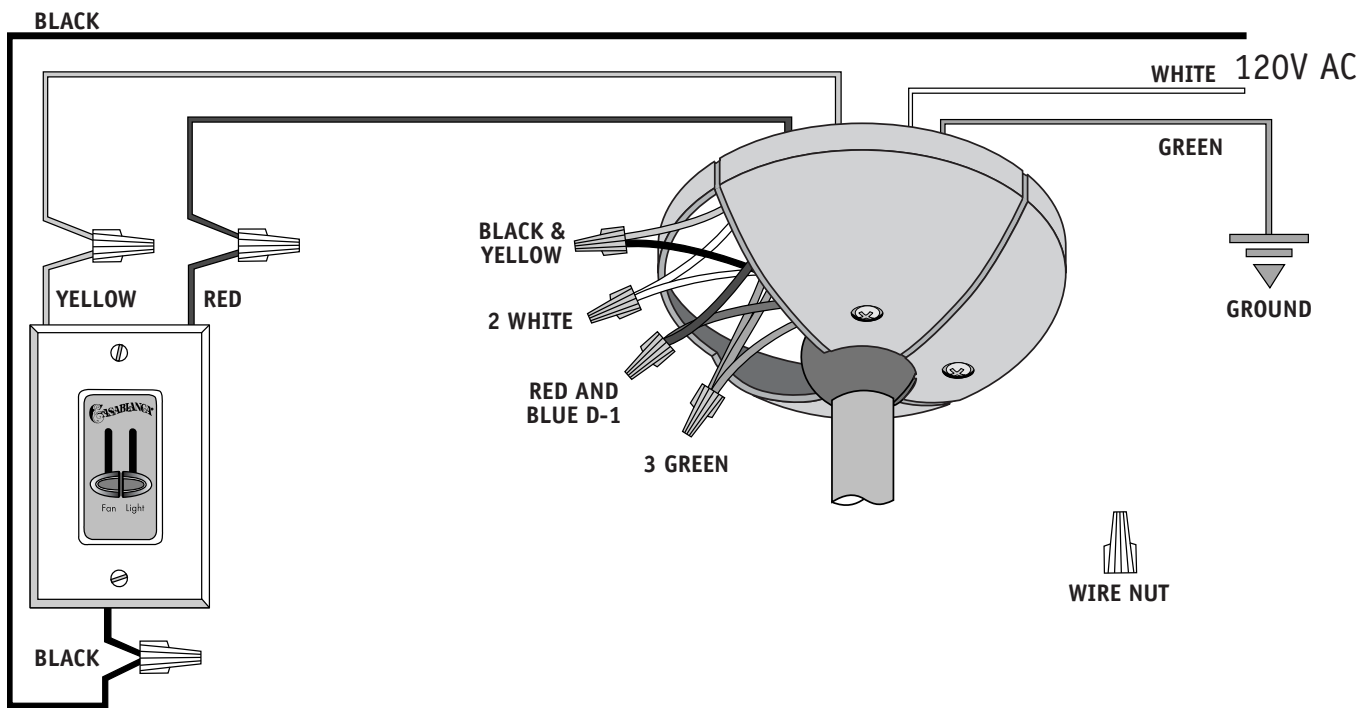
HANGING THE FAN

Step 5. To hang the fan body in the canopy, hold the fan body firmly and insert the nylon ball into the canopy opening. Rotate fan body until slot on nylon ball fits into pin opposite canopy opening.

NOTE: The fan weight is 37.5 pounds.



W-1811 WIRING



- The fan must be supplied with three independent 120V AC supply wires to provide power for the fan, the light, and neutral.
- The fan may be turned ON and OFF by the W-1811 wall control.
- The lights may be turned ON and OFF by the W-1811 and the intensity adjusted from low to high.

Installation is to be in accordance with the National Electrical Code, ANSI/NFPA 70-1993 and local codes

Step 6a. Connect the fan wires to the outlet box wiring by placing the bare ends of the wires together and then securing with a wire nut.

Connect in this order:

- GREEN leads from mounting plate and fan to GREEN GROUND conductor of power source. Secure with wire nut.
- WHITE wire from fan to WHITE NEUTRAL wire in ceiling fixture outlet box. Secure with wire nut.
- BLACK wire from fan to YELLOW wire in ceiling fixture outlet box. Secure with wire nut.
- BLUE (D-1 Option) wire from fan to RED wire in ceiling fixture outlet box. Secure with wire nut.

Inspect each wire nut and ensure that no bare wire is visible; pull on each wire to test the connection is mechanically sound.



INSTALLATION OF WALL CONTROL

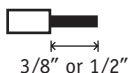
Step 6b. The W-18 / W-28 is designed to replace a standard wall switch and will fit wall boxes (metal or plastic) with a depth of 2" or greater.

CAUTION: Ensure power is turned OFF at the breaker or fuse panel before starting installation.

1. Remove the screws and switch plate from the existing switch box.
2. Remove the screws holding the switch in the switch box.
3. Pull the existing switch from the switch box to expose the wire connections.
4. Remove the three wires from the switch.
5. Wiring preparation, if required:

Strip wires:

- 3/8" for 14 gauge
- 1/2" for 16 and 18 gauge



NOTE: The wire connectors provided are suitable for copper wire only. Use to join the following wire combinations: One No. 14 gauge with one No. 16 or 18 gauge

6. Connect BLACK lead of control to 120V AC hot wire. Connect the RED lead to the light circuit controlled by slider on right side of unit. Connect YELLOW lead to fan motor(s) wire. The fan speed will be controlled by the left slider on the unit. *If unit is used to control only one light circuit, place wire connector on unused lead.* Secure these connections with the wire connectors.

7. Install the W-18 / W-28 in the wall box with the two long screws provided.

CAUTION: Be sure no wires are pinched!

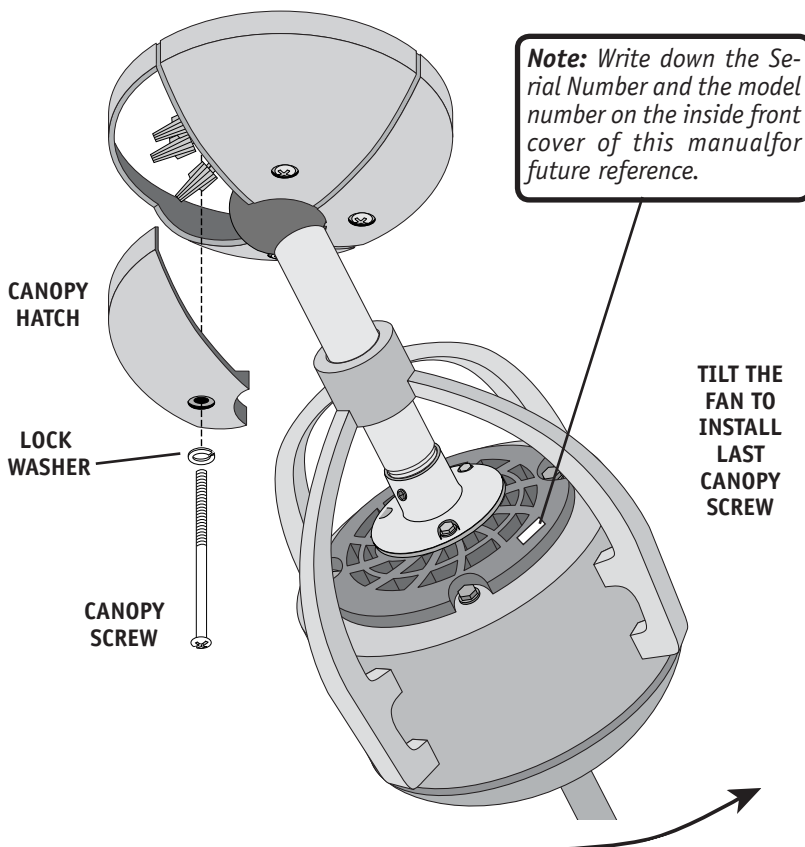
8. Install the wall plate with the two color matched screws.
9. Turn on power to test the controller.

CANOPY HATCH INSTALLATION

Step 7. Tuck the wires into the canopy with the wire nuts pointed upwards, so that the WHITE and BLACK wires are on opposite sides of the canopy and all wires are clear of the canopy opening.

Step 8. Install canopy hatch with the last canopy screw and lock washer. To do this, tilt the fan body away from the hatch opening. Tighten the screws firmly by **hand** only.

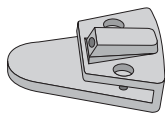
Step 9. Straighten the fan, then check to ensure that there is no movement between the canopy and ceiling or Hang-Tru ball and top support shaft.



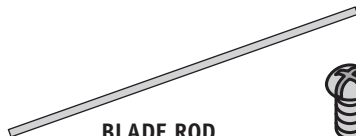
BLADE HARDWARE



BLADE TIP SCREW
(2 PER BLADE)



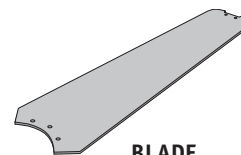
BLADE TIP



BLADE ROD



BLADE SCREW
(3 PER BLADE)

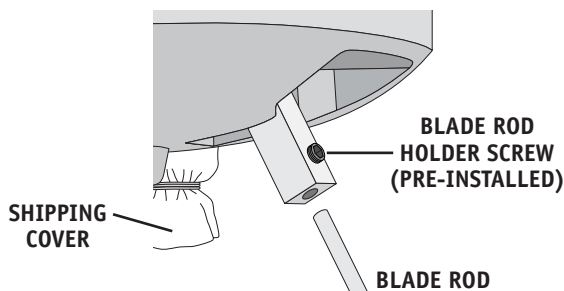


BLADE

INSTALL BLADE RODS

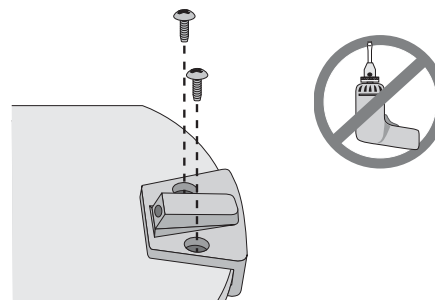
Step 10. Remove the shipping cover from each of the blade rod holders on the fan body.

Using the provided Allen wrench, unscrew the blade rod holder screw a few turns to assure proper installation of the blade rod. Insert the metal end of the blade rod (NOT the rubber-tipped end) into the blade rod holder and tighten the screw firmly by hand.



BLADE TIP INSTALLATION

Step 11. Attach the blade tips to the blades using the blade tip screws provided. Using the screwdriver, tighten securely by hand only.



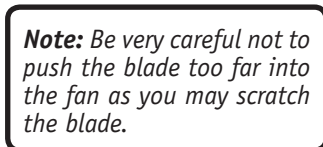
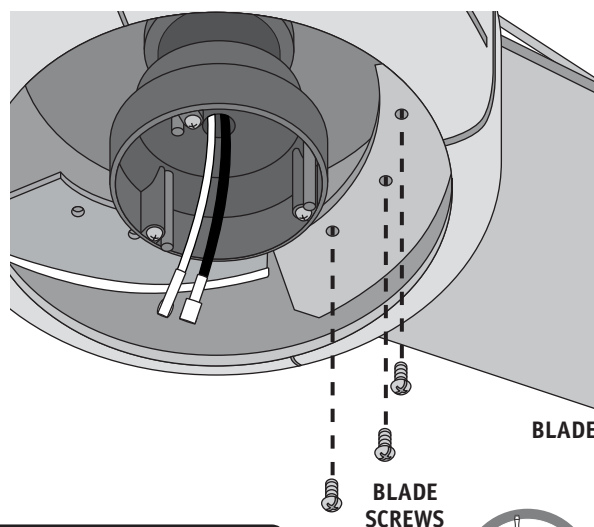
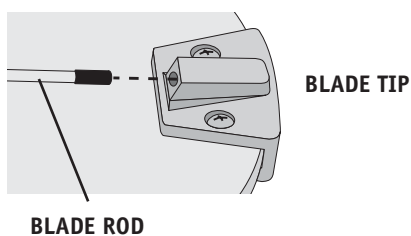
BLADE INSTALLATION

Step 12. Insert the blade into the opening on the side of the fan.

Then insert the rubber-tipped end of the blade rod into the blade tip slightly.

Next, push the blade rod into the blade tip until it is tight.

Attach the blades to the interior of the fan body using the blade screws provided. Using the screwdriver, tighten securely by hand only.

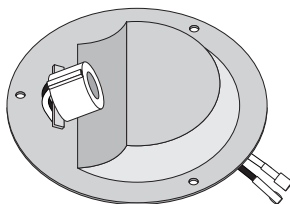




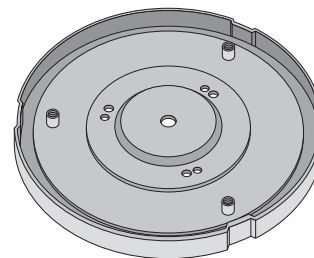
LIGHT KIT PARTS



LIGHT KIT
SCREWS



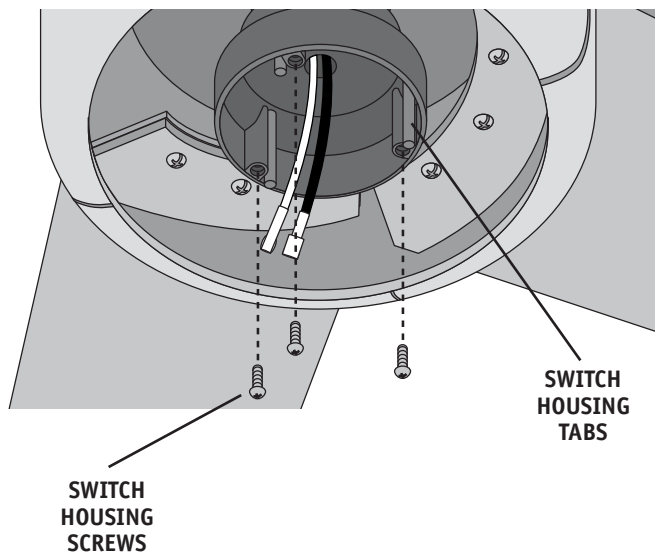
LIGHT KIT
BULB PLATE



LIGHT KIT BASE

REMOVE SWITCH HOUSING SCREWS

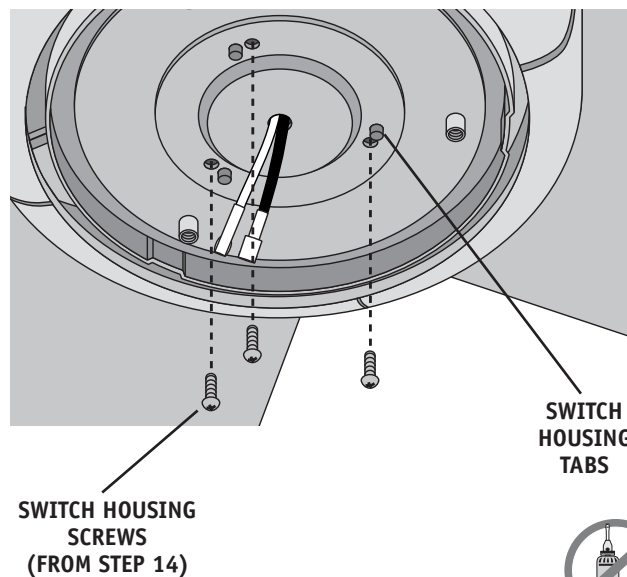
Step 13. Remove the three screws from the switch housing and set aside for use in Step 14.



INSTALL LIGHT KIT BASE

Step 14. Route the motor wires through the center of the light kit base. Align the light kit base onto the switch housing using the tabs of the switch housing.

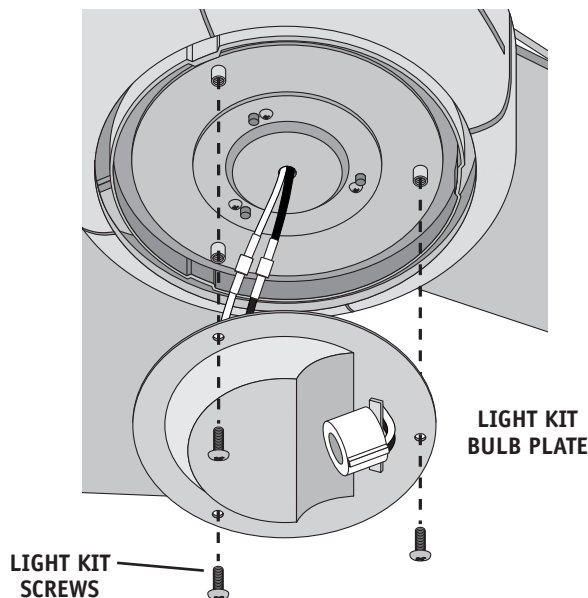
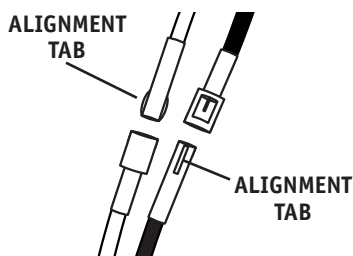
Using the three switch housing screws removed in Step 13, attach the light kit base to the switch housing.



INSTALL LIGHT KIT BASE

Step 15. Attach the WHITE wire plug from the bulb plate to the WHITE wire plug of the fan. Then attach the BLACK wire plug from the bulb plate to the BLACK wire plug of the fan. The plugs have alignment tabs, assure these are aligned—do not force the connection.

Using the provided light kit screws, attach the light kit bulb plate to the light kit base, securing by hand only. Assure that no wires are pinched.



INSTALL BULB AND GLASS

Step 16. Screw the 100-watt halogen bulb into the socket. Do not touch the glass bulb with your fingers—it is extremely important that the glass be clean. If it is touched, or dirty, clean carefully with a tissue. A dirty glass bulb will cause the bulb to fail almost immediately.

IMPORTANT! When installing the halogen bulb, carefully cut off the end of the plastic sleeve the bulb comes in and hold the bulb by the plastic sleeve to screw it into the socket.

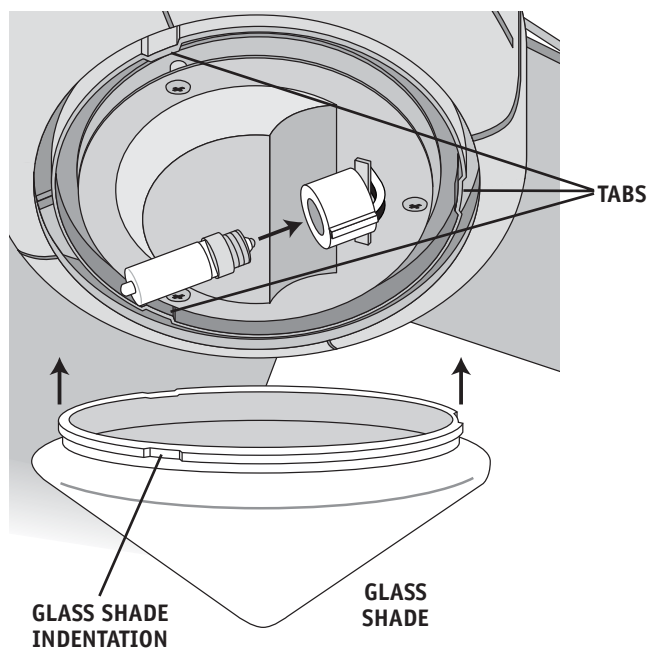


Step 17. Position the indentations in the outer rim of the glass shade so that they line up with the tabs on the inside surface of the fan light fixture rim.

Step 18. Carefully lift the glass shade up inside the light fixture as far as it will go.

Step 19. Rotate the shade in a clockwise direction until it is held tightly in place by the three tabs.

TIP: At first the shade is a very loose fit in the fixture and can be “wiggled” a little from side to side. It is a great help when rotating the glass shade to “wiggle” it at the same time.

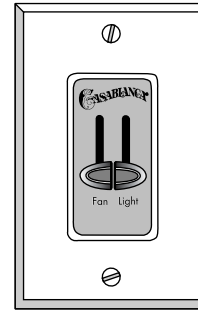


W-1811 CEILING FAN/LIGHT CONTROL



W-1811 OPERATION

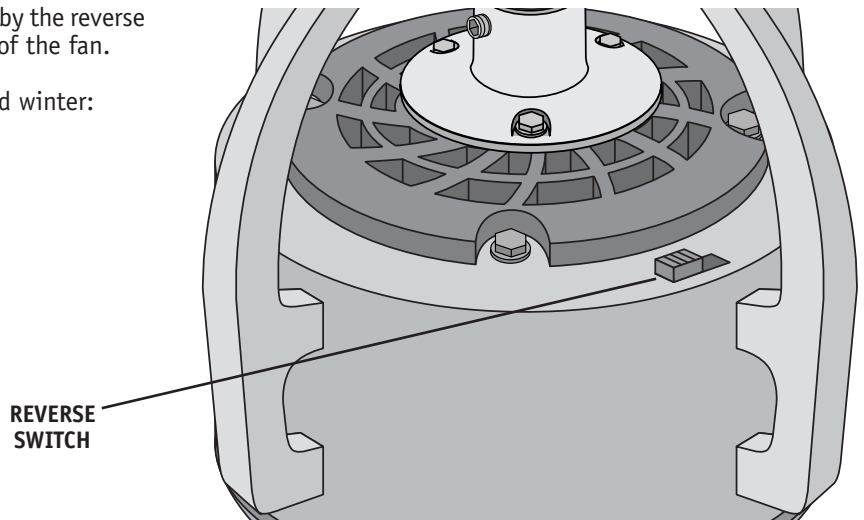
1. Raise the Fan slider to increase fan speed, lower it to decrease.
2. For the fan, four positions are available: OFF, LOW, MEDIUM, and HIGH. The bottom position is OFF.
3. The Light slider is a dimmer, the bottom is OFF; raise to increase intensity of the light.



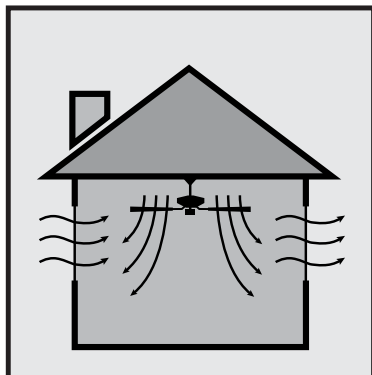
REVERSING FAN DIRECTION

The direction of blade rotation is controlled by the reverse slide switch on the top of the motor body of the fan.

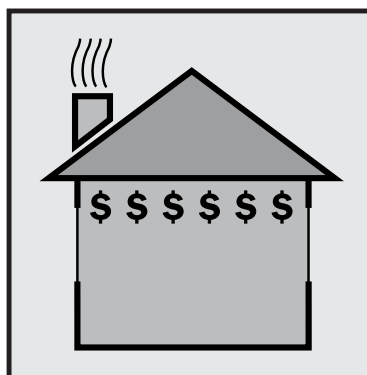
Direction your fan should go in summer and winter:
Summer - Counterclockwise
Winter - Clockwise



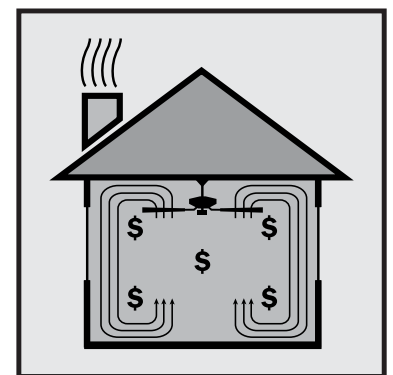
SAVING MONEY WITH YOUR CEILING FAN



IN SUMMER, the movement of air creates a cooling "wind chill" effect. A room can actually feel several degrees cooler, without setting the thermostat lower.



IN WINTER, hot air rises to the ceiling while cool air settles to the floor. Trapped against the ceiling, the warm air is wasted. If you turn up the thermostat, energy costs will rise.



RUNNING IN REVERSE, your Casablanca fan can recirculate warm air near the ceiling down into the living area, providing even heating and comfort (with a pleasant effect on heating bills).

TROUBLESHOOTING

Before requesting service: Please consult this troubleshooting guide before contacting your dealer for assistance.

- FAN WILL NOT START** Check main circuit fuses, circuit breakers, or wall switch position.
Check all wire connections, making sure the power is turned off during this inspection.
Check that reverse switch is not set in center of throw.
- FAN WOBBLER OR SHAKES EXCESSIVELY** Be sure canopy pin is properly set into the slot on the ball.
Check the screws holding the blade holders to the flywheel (or direct drive motor). Tighten as necessary.
Check that bladeholders have not been bent during installation.
- FAN NOISY DURING OPERATION** Check and tighten light fixture retaining screws, glass shade screws and/or the lightbulb(s) as necessary.
Tighten the blade to bladeholder screws.
Tighten canopy screws and mounting plate assembly.
Check and tighten blade holders to flywheel (or Direct Drive motor).
Make sure all screws in the motor housing are snug, but not overly tight.
Check that the wire nuts inside the canopy and switch housing are not touching the metal parts or have fallen off the wire splices. Tighten or adjust as necessary.
- BREAK-IN PERIOD** Let fan run at high speed for two hours
- DOES NOT RUN ON LOW SPEED** If new, "break-in" may be required; run at higher speed for several days
- FAN RUNS SLOWLY IN EITHER DIRECTION IF ROTATION IS STARTED BY HAND; WILL NOT REVERSE:** *Defective reverse switch, defective capacitor, or open motor winding, replace reverse switch assembly, PCB assembly, or motor unit.*
- FAN WILL NOT OPERATE AT PROPER SPEEDS OR WILL NOT OPERATE AT ANY SPEED:** *Defective three-speed pull-chain switch assembly, or defective capacitor, replace three-speed pull-chain switch assembly, or PCB assembly.*

For questions or to locate the nearest Casablanca Authorized Service Center call toll free: 1-888-227-2178 or visit us on the Web at: www.casablancafanco.com

CARE RECOMMENDATIONS

Fan Finishes

- For cleaning, a soft brush or lint-free cloth should be used to prevent scratching the finish.
- A vacuum cleaner brush nozzle can remove heavier dust.
- Surface smudges or an accumulation of dirt and dust can be removed easily using a mild detergent and slightly dampened soft cloth. An antistatic agent may be used, but *never use abrasive cleaning agents* as these will damage the finish.

Blades

- Wood-finish blades should be cleaned with a furniture polishing cloth. Occasionally, a light coat of furniture polish may be applied for added protection and beauty.
- For painted, high-gloss or plastic blades (ABS), surface smudges or an accumulation of dirt and dust can be removed easily using a mild detergent and slightly dampened soft cloth. An antistatic agent may be used, but *never use abrasive cleaning agents* as these will damage the finish.

No Need for Lubrication

- *Never lubricate this fan!* The precision motor at the heart of your Casablanca fan features sealed bearings that are lubricated for life.
- Do not attempt to oil the motor.

Changing Lightbulbs

- Be sure to turn the power to OFF at the wall switch or circuit breaker before changing lightbulbs.
- Replace bulbs with the same type as you removed from the light fixture.
- The maximum wattage rating for this fan's light kit is 100 watts.



AUTHORIZED SERVICE CENTERS

TYPES OF SERVICE OFFERED:

FFS = FULL FAN SERVICE IHO = IN-HOME ONLY ISO = IN-SHOP ONLY
 ISW = IN-SHOP ONLY/WHAT THEY SELL OWS = ONLY WHAT THEY SELL

STATE/CITY	ZIP	SERVICE CENTER NAME	PHONE	TYPE	STATE/CITY	ZIP	SERVICE CENTER NAME	PHONE	TYPE
ALABAMA					COLORADO				
MOBILE	36618	AZALEA CITY SERVICE CTR.	251-341-0663	FFS	BOULDER	80306	ENERGETICTECH	303-684-7543	FFS
TUSCALOOSA	35405	LIGHTING PLUS	205-345-8900	FFS	COLORADO SPRINGS	80903	HOME LIGHTING	719-471-3520	WTS
ALASKA					CONNECTICUT				
ANCHORAGE	99518	BERING SEA ECCOTECH	907-227-3171	FFS	DENVER	80229	M.D ELECTRIC	303-288-7988	FFS
ARIZONA					DELAWARE				
GREEN VALLEY	85614	GOBLE ELECTRIC	520-625-4938	IHO	DELMAR	19940	BRUCE DRAJEM	302-734-7737	IHO
MESA	85204	GALLERY OF FANS	480-962-0477	FFS	DOVER	19901	BRUCE DRAJEM	302-734-7737	IHO
PHOENIX	85016	THE FAN DOCTOR	602-274-6649	IHO	LEWES	19958	BRUCE DRAJEM	302-734-7737	IHO
PHOENIX	85019	FANTASTIC ELECTRIC	602-866-1090	IHO	NEW CASTLE	19720	ERIC SHURR	302-998-5147	IHO
PHOENIX	85032	BRASSWINDS FAN DOCTOR	602-482-1881	FFS	WILMINGTON	19809	CHIEFFO ELECTRIC INC.	302-764-5000	IHO
PRESCOTT	86305	MARC PARENT	928-778-5935	IHO	DISTRICT OF COLUMBIA				
SCOTTSDALE	85254	VANDERVOORT ELECTRIC	602-996-9637	IHO	WASHINGTON, DC	20016	FAN FAIR	202-686-8686	ISO
SEDONA	86336	OAK CREEK AUDIO	928-282-5625	FFS	FLORIDA				
TUCSON	85711	SUN LIGHTING COMPANY	520-322-4303	WTS	BOCA RATON	33433	C M S	561-736-0170	IHO
TUCSON	85716	ILLUMINATIONS	520-325-3031	IHO	BOCA RATON	33433	MARTIN CARTER	561-756-4739	IHO
TUCSON	85735	DESERT BREEZE FAN & ELEC.	520-623-4646	IHO	BONITA SPRINGS	34135	GOODWIN ELECTRIC	239-649-8880	IHO
YUMA	85364	CURLEYS LITEHOUSE	928-783-6931	FFS	BOYNTON BEACH	33437	C M S	561-736-0170	IHO
ARKANSAS					GEORGIA				
LITTLE ROCK	72212	THE RANDY HALL CO INC	501-227-9915	IHO	CANTON	30114	I CAN FIX IT 4 U	678-493-0150	IHO
CALIFORNIA					HAWAII				
ALHAMBRA	91801	FANTASTIC FAN SERVICE	800-800-3871	IHO	AIEA	96701	FAN SHOP INC.	808-488-1221	WTS
AUBURN	95603	THE FAN DOCTOR	530-823-8768	IHO	HILO	96720	BAY LIGHTING & DESIGN	808-961-5688	FFS
BAKERSFIELD	93306	HILLCREST LIGHTING	661-324-0649	FFS	KAULIA-KONA	96740	KONA COAST HOUSE OF LIGHTS	808-329-0748	FFS
BAKERSFIELD	93309	RB ELECTRIC & LTG.	661-831-2438	IHO	KAULIA KONA	96740	KU'S ELECTRONIC SVC.	808-329-4346	IHO
BREA	92622	FANTASTIC FAN SERVICE	800-800-3871	IHO	IDAHO				
BURBANK	91523	FANTASTIC FAN SERVICE	800-800-3871	IHO	IDAHO FALLS	83402	HOME LIGHTING	208-523-2300	FFS
CARSON	90746	FANTASTIC FAN SERVICE	800-800-3871	IHO	ILLINOIS				
CATHEDRAL CITY	92234	R & R SERVICE	760-324-2942	IHO	CENTRALIA	62801	BAKER APPLIANCE REPAIR	618-532-8437	FFS
CHICO	95928	J & J LIGHTING	530-342-1815	ISO	CHAMPAIGN	61821	REMCO ELECTRICAL	217-356-6999	FFS
CHULA VISTA	91912	RD ELECTRICAL CONT.	760-727-1215	IHO	CHAMPAIGN	61821	TERRY GOBBLE	217-384-5891	ISO
CLOVIS	93612	OMEGA SERVICES INC.	559-299-0495	ISO	CHICAGO	60630	D & S FAN SPECIALIST	847-824-2430	IHO
FRESNO	93704	LARRY MCCOLLUM	559-438-5764	IHO	CORNLAND	62519	DELMAR VEECH	217-364-4124	IHO
FRESNO	93711	JAMES & CO. LIGHTING	559-486-7900	S2W	FRANKFORT	60423	KKA SERVICES	815-464-6714	IHO
GLENDALE	91208	FANTASTIC FAN SERVICE	800-800-3871	IHO	MOKENA	60448	KKA SERVICES	815-464-6714	IHO
GRASS VALLEY	95945	ACCENT LIGHTING	530-477-5483	ISO	NORMAL	61761	KIRK SMALL APPLIANCE	309-452-5248	ISO
HUNTINGTON BEACH	92647	THE TRADING POST	714-848-4353	ISO	PRINCETON	61356	ELMORE ELECTRIC INC.	815-643-2354	IHO
LONG BEACH	90815	FANTASTIC FAN SERVICE	800-800-3871	IHO	QUINCY	62305	HEINTZ LIGHTING CENTER	217-223-0101	FFS
LOS ALAMITOS	90720	JABEN HOLDINGS	562-594-1249	ISO	SMITHTON	62285	JOHN HASENSTAB	618-236-3018	IHO
LOS ANGELES	90019	FANTASTIC FAN SERVICE	800-800-3871	IHO	TRENTON	62293	LIGHT BRITE DISTRIBUTING	618-224-7314	FFS
LOS OSOS	93402	SELECT ELECTRIC	805-528-5825	FFS	URBANA	61801	TERRY GOBBLE	217-384-5891	ISO
MANTECA	95336	MANTECA LIGHTING	209-823-1999	ISO	WEST CHICAGO	60185	TMR ELECTRIC INC.	630-231-2848	IHO
MISSION VIEJO	92691	MOORE'S SEW, VAC, & FAN	949-580-2520	S2W	YORKVILLE	60560	UNIFIED SUPPLY, INC.	630-553-0660	FFS
MODESTO	95350	PHILLIPS LIGHTING & HOME	209-524-6287	WTS	INDIANA				
MURRIETA	92562	FANDIEGO	951-600-7867	ISW	EVANSVILLE	47711	MICHAEL BAXTER	812-453-6498	IHO
NEWHALL (SANTA CLARITA)	91321	DAN MARTIN	661-252-5769	IHO	FORT WAYNE	46805	CARL SMITH	260-484-7295	IHO
OAKLAND	94602	BONIFACIO HANDYMAN SERVICES	510-917-0638	IHO	GREENFIELD	46140	D & D REPAIR	317-467-0600	IHO
ORANGE	92664	FANTASTIC FAN SERVICE	800-800-3871	IHO	INDIANAPOLIS	46222	INDIANA LIGHTING CENTER	317-293-9333	ISO
OXNARD	93030	FANTASTIC FAN SERVICE	800-800-3871	IHO	VALPARAISO	46383	D & K ELECTRIC	219-464-7576	IHO
PITTSBURG	94565	SECURITY ELECTRIC SOLUTIONS	925-487-8197	IHO					
POMONA	91768	FANTASTIC FAN SERVICE	800-800-3871	IHO					
RANCHO CUCAMONGA	91730	FANTASTIC FAN SERVICE	800-800-3871	IHO					
RANCHO MIRAGE	92270	FANDIEGO	760-779-9916	ISO					
RIVERSIDE	92505	VERNE SMITH	951-687-9552	IHO					
ROSEVILLE	95678	THE FAN DOCTOR	530-823-8768	IHO					
SACRAMENTO	95819	A & A LIGHT FIXTURES	916-452-7641	ISO					
SACRAMENTO	95821	ENERGY SOLUTIONS	888-410-3189	IHO					
SACRAMENTO	95821	SECURITY ELECTRIC SOLUTIONS	925-487-8197	IHO					
SAN DIEGO	92111	FANDIEGO	858-292-9244	ISO					
SAN DIEGO	92126	RD ELECTRICAL CONT.	760-727-1215	IHO					
SAN FERNANDO	91340	FANTASTIC FAN SERVICE	800-800-3871	IHO					
SAN FRANCISCO	94109	HOUSE OF FANS INC.	415-885-1947	ISO					
SAN JOSE	95123	SAL ZAMORA'S FAN REPAIR	510-742-5560	IHO					
SAN MARCOS	92069	FANDIEGO	760-743-3267	ISO					
SAN MARCOS	92069	RD ELECTRICAL CONT.	760-727-1215	IHO					
SAN RAFAEL	94901	RAFFLES FANS	415-456-6660	ISO					
SANTA MARIA	93455	EVER-READY ELECTRIC	805-934-7091	FFS					
SANTA MONICA	90405	FANTASTIC FAN SERVICE	800-800-3871	IHO					
SANTA ROSA	95404	ASEF'S APPL. & ELEC. SVC.	707-575-3737	FFS					
SAUGUS	91350	VALLEY BREEZE FAN CO	800-339-3267	WTS					
SCOTT'S VALLEY	95066	FISHER ELECTRIC INC.	831-430-9694	IHO					
SHINGLE SPRINGS	95682	JOHN ROZOWSKI CONST.	530-677-3850	IHO					
SIMI VALLEY	93065	FANTASTIC FAN SERVICE	800-800-3871	IHO					
SOUTH LAKE TAHOE	96150	TAHOE POOL SERVICE	530-541-4958	FFS					
TARZANA	91356	HYE LIGHTING CO	818-345-5544	S2W					
TEMECULA	92592	TAB ELECTRIC	951-303-0850	IHO					
THOUSAND OAKS	91360	FANTASTIC FAN SERVICE	800-800-3871	IHO					
TULARE	93274	ANCHOR LIGHTING	559-688-0696	WTS					
VALENCIA	91354	FANTASTIC FAN SERVICE	800-800-3871	IHO					
VAN NUYS	91406	FANTASTIC FAN SERVICE	800-800-3871	IHO					

AUTHORIZED SERVICE CENTERS

STATE/CITY	ZIP	SERVICE CENTER NAME	PHONE	TYPE	STATE/CITY	ZIP	SERVICE CENTER NAME	PHONE	TYPE
IOWA					NEBRASKA				
CARROLL	51401	J & L ELECTRIC INC.	712-792-2444	ISO	GRAND ISLAND	68803	QUALITY SEW & VAC	308-382-7310	ISO
CEDAR RAPIDS	52404	ACME ELECTRIC COMPANY	319-365-8677	FFS	LINCOLN	68510	LINCOLN LIGHTING CENTER	402-476-1297	FFS
CORALVILLE	52241	RALSTON CREEK	319-351-2189	S2W	NORFOLK	68701	THE POWER STATION	402-371-6671	FFS
DAVENPORT	52803	SHAW ELECTRIC	563-323-3611	FFS	OMAHA	68104	D & L ELECTRONICS	402-571-5233	IHO
DES MOINES	50311	ADVANCED LIGHTING	515-255-5009	WTS	OMAHA	68144	OAK HILLS ELECTRIC INC.	402-691-4567	FFS
SIoux CITY	51106	DIVERSIFIED ELECTRONICS	712-276-1034	IHO	NEVADA				
KANSAS					LAS VEGAS	89104	IDEAL SERVICES	702-396-5225	IHS
EMPORIA	66801	C.A.P.	620-342-0448	IHS	LAS VEGAS	89119	FANCO	702-898-8522	ISO
LENEXA	66215	RENSEN HOUSE OF LIGHTS	913-888-0888	ISO	SPARKS	89431	EAGLE ELECTRIC, INC.	775-356-7300	IHO
MANHATTAN	66502	ENDACOTT LIGHTING	785-776-4472	ISO	NEW HAMPSHIRE				
OVERLAND PARK	66210	RANDY RUSSELL	913-338-5330	IHO	NEWMARKET	03857	EDWARD HEINE	603-659-5999	IHO
OVERLAND PARK	66212	WILSON FANS & LIGHTING	913-642-1500	FFS	PELHAM	03076	AFFORDABLE FANS ETC.	603-759-8332	FFS
OVERLAND PARK	66213	KAL ELECTRIC	913-897-6767	IHO	ROCHESTER	03839	BERRY'S ELECTRIC SERVICE LLC	603-335-4474	FFS
OVERLAND PARK	66223	WESTERN CHANDELIER CO.	913-685-2000	FFS	NEW JERSEY				
SALINA	67401	SALINA APPLIANCE SHOWROOM	785-827-1420	FFS	CHESTER	07930	CHESTER LIGHTING, INC.	908-879-7200	WTS
WICHITA	67208	ACCENT LIGHTING	316-636-1278	FFS	HILLSBOROUGH	08844	TOP LINE ELECTRIC	908-431-1888	IHS
KENTUCKY					JACKSON	08527	ROBERT ROLZHAUSEN	732-363-3729	IHO
LOUISVILLE	40205	KAELINS, INC. DBA ALCOTT & BENTLEY	502-454-8938	FFS	LINWOOD	08221	JACK BRESLAU	609-601-1797	IHO
LOUISIANA					MONTCLAIR	07042	B & C ELECTRONICS	973-698-1199	IHO
BATON ROUGE	70815	TOTAL HOME SERVICE INC.	225-272-7725	ISO	MORRIS PLAINS	07950	MANNY HERRERA	973-993-1137	IHO
HOUMA	70363	GULF SOUTH ARMATURE INC.	985-872-0486	FFS	MULLICA HILL	08062	STEPHEN RICE	856-223-8645	IHO
LAKE CHARLES	70601	JOSEPHS ELECTRICAL CENTER	337-436-4930	FFS	PARK RIDGE	07656	KRELL LIGHTING	201-391-7685	ISO
METAIRIE	70006	ROMAINE'S	504-887-7077	FFS	THOROFARE	08086	HARRY R. HABICHT	856-845-2541	IHO
NEW IBERIA	70560	WALET'S INC.	337-364-7486	ISO	TRENTON	08619	WIRING UNLIMITED	609-584-1122	IHO
MAINE					WEST LONG BRANCH	07764	NO SHORTS ELECTRIC	732-222-4228	ISO
BANGOR	04401	HOME DESIGN CENTER	207-992-2515	FFS	WASHINGTON	07882	C.P. ORLANDO	908-689-4750	ISO
SOUTH PORTLAND	04106	T.A. NAPOLITANO INC.	207-799-0538	FFS	NEW MEXICO				
MARYLAND					ALBUQUERQUE	87109	B-ELECTRIC INC.	505-828-0241	IHO
ANNAPOLIS	21401	GL FAN SERVICE	301-831-4925	IHO	ALBUQUERQUE	87112	A-1 LAMP DOCTOR	505-296-5050	FFS
FREDERICK	21704	GL FAN SERVICE	301-831-4925	IHS	SANTA FE	87507	B-ELECTRIC INC.	505-828-0241	IHO
WHITE HALL	21161	BT ELECTRIC	410-329-6353	IHO	NEW YORK				
MASSACHUSETTS					AMAWALK	10501	JAY D. KOSACK	914-237-9051	IHO
BELMONT	02478	H.O ELECTRIC	617-489-6324	IHS	AMHERST	14226	ROYALITE LIGHTING	716-832-1492	ISO
BRIDGEWATER	02324	BILTCLIFFE ELECTRIC	508-697-7630	ISO	BEDFORD HILLS	10507	BEDFORD LIGHTING	914-666-0680	ISO
DANVERS	01923	PLAZA LIGHTING	978-774-7801	ISO	BROOKLYN	11204	JERRY PICCOLINO/J&R SVC.	718-259-1789	IHO
DENNIS	02638	RICK SEXTON	508-385-7536	IHO	BROOKLYN	11219	MAIN LAMP CORP.	718-436-8500	FFS
NATICK	01760	J.G. ELECTRIC CO. INC.	508-653-3042	ISO	BROOKLYN	11223	MANHATTAN LIGHTS	718-998-1111	FFS
NEW BEDFORD	02740	VANDER ELECTRIC & EQUIP.	508-993-6383	ISO	BROOKLYN	11228	JOE VALLETUTTI, JR.	917-704-9708	IHO
ORLEANS	02653	ASSOCIATED ELECTRICAL	508-255-4589	ISO	CARLE PLACE	11514	ELEMENTS	516-747-4748	ISO
SOUTH ATTLEBORO	02703	A J ELECTRIC	508-761-5021	IHO	COMMAACK	11725	AIR-TEK	631-499-1854	ISO
WEST SPRINGFIELD	01089	JALBERT ELECTRIC	413-734-4976	IHO	COMMAACK	11725	TURNPIKE APPLIANCE	631-499-3355	FFS
WORCESTER	01603	EDWARD A. TORTORA	508-755-3735	IHO	EAST MEADOW	11554	C.D. SERVICE	516-538-3481	IHO
MICHIGAN					EAST WHITE PLAINS	10602	JAY D. KOSACK	914-237-9051	IHO
BELLEVILLE	48111	MIKE AYERST	734-699-9698	IHO	FLUSHING	11367	C.D. SERVICE	917-693-3770	IHO
BIRMINGHAM	48009	21ST CENTURY ELECTRIC	248-645-6464	FFS	HARRISON	10528	JAY D. KOSACK	914-237-9051	IHO
GRAND RAPIDS	49512	GRAND RAPIDS LTG. CTR.	616-949-4931	S2W	LONG BEACH	11561	NICK'S IMPROVEMENT COMPANY	516-659-8989	IHO
GRAND RAPIDS	49546	INDOOR CLIMATE SOLUTIONS	616-891-4328	IHO	LYNBROOK	11563	SHADERITE-PZ REPAIR	516-593-8973	FFS
HOWELL	48855	LIGHTNING ELEC. INC.	810-227-3375	FFS	MIDTOWN	10022	JOE VALLETUTTI, JR.	917-704-9708	IHO
LANSING	48906	INTEGRITY ELECTRIC INC.	517-484-0300	IHO	NEW YORK CITY	10023	JERRY PICCOLINO/J&R SVC.	718-259-1789	IHO
LANSING	48917	LARGENT ENTERPRISES	517-327-6161	FFS	NEUBURG	12550	J D PARRELLA ELECTRIC	845-562-4112	IHO
PORTAGE	49024	HODGSON LIGHT & LOG	800-451-0860	WTS	PEARL RIVER	10965	BOB VAZQUEZ	845-735-5861	IHO
TRAVERSE CITY	49686	LIGHTING & FAN SVC.	231-938-1332	FFS	PLAINVIEW	11803	JOSEPH GOTTDANK	516-932-7618	IHO
WARREN	48088	ZUBE CONSTRUCTION LLC	586-574-0701	IHO	PLEASANTVILLE	10570	JAY D. KOSACK	914-237-9051	IHO
MINNESOTA					PLEASANTVILLE	10570	V & J GENERAL CONST. INC.	914-469-0492	IHO
BAXTER	56425	THE LIGHT DEPOT	218-829-0770	ISO	POUGHKEEPSIE	12601	MANNINO ELECTRIC INC.	845-452-3520	ISO
BURNSVILLE	55336	FAN MAN	952-898-2754	ISO	QUEENSBURY	12804	DEAN ELECTRIC	518-792-4781	IHO
MAPLEWOOD	55109	NORTH COUNTRY ELECTRIC	651-486-7099	IHO	RICHMOND HILL	11418	C.D. SERVICE	917-693-3770	IHO
MAPLEWOOD	55119	FANTASTIC FANS	651-208-6006	FFS	ROCHESTER	14620	CAM ELECTRIC	585-271-8560	IHO
MINNEAPOLIS	55411	PENN ELEC. MTR. SVC.	612-588-5333	FFS	RYE	10580	JAY D. KOSACK	914-237-9051	IHO
MINNEAPOLIS	55422	LEO'S ELEC. SALES & SVC.	763-546-5625	IHO	SARATOGA SPRINGS	12866	FRANK SALVATORE	518-355-5789	IHO
MONTICELLO	55362	LITTLE MOUNTAIN LIGHTING	763-295-5483	FFS	SCHENECTADY	12303	FRANK SALVATORE	518-355-5789	IHO
ROCHESTER	55904	THOMPSON & WARD ELEC.	507-421-9085	IHO	SHOKAN	12481	OLIVE FANS & LIGHTING	845-657-5823	FFS
ST. PAUL	55104	GREAT FANS & BLINDS	651-644-1203	WTS	STATEN ISLAND	10301	FRANK RAGUCCI	718-273-5518	IHO
STILLWATER	55082	MCCUSH ENTERPRISES, INC.	612-916-7375	IHO	STATEN ISLAND	10304	V & P SERVICE CO.	917-751-2562	IHO
MISSISSIPPI					STATEN ISLAND	10312	JOE VALLETUTTI, JR.	917-704-9708	IHO
MADISON	39110	JACKSON SERVICE CTR.	601-856-9469	IHO	TROY	12180	TROY LIGHT COMPANY	518-274-6931	ISO
MISSOURI					WEST HARRISON	10604	JAY D. KOSACK	914-237-9051	IHO
BRANSON	65616	THE LIGHT HOUSE GALLERY/LOYDS	417-334-2171	ISO	YONKERS	10704	JAY D. KOSACK	914-237-9051	IHO
DES PERES	63131	JAFFE LIGHTING	314-965-1000	WTS	NORTH CAROLINA				
SPRINGFIELD	65802	COMPLETE MAINTENANCE	417-866-3307	IHO	CHARLOTTE	28203	SIMPSONS LIGHTING	704-376-5463	WTS
SPRINGFIELD	65807	THE LIGHT HOUSE GALLERY/LOYDS	417-889-1088	IHO	CHARLOTTE	28205	EFIRD'S INTERIORS INC.	704-376-5648	ISO
ST. LOUIS	63123	LEINWEBER SERVICE CO.	314-892-8177	FFS	EAST FLAT ROCK	28726	RP YOUNG ELECTRIC CO. LLC	828-697-2115	FFS
MONTANA					GREENSBORO	27409	RW SCHOOLFIELD ELECTRICAL CON.	336-378-9821	FFS
HELENA	59601	SUPREME LIGHTING	406-442-8200	FFS	HICKORY	28602	EFIRD'S INTERIORS INC.	828-322-2203	ISO
KALISPELL	59901	LASALLE LIGHTING	406-752-2424	FFS	SALISBURY	28146	HAUSS ELECTRICAL SVC.	704-637-7774	IHO
MISSOULA	59801	WESTERN MONTANA LIGHTING SUPPLY	406-543-7166	ISO	NORTH DAKOTA				
					FARGO	58103	JDP ELECTRIC INC.	701-232-1991	IHO



AUTHORIZED SERVICE CENTERS

STATE/CITY	ZIP	SERVICE CENTER NAME	PHONE	TYPE	STATE/CITY	ZIP	SERVICE CENTER NAME	PHONE	TYPE
OHIO					CARROLLTON				
CANTON	44706	APPLIANCE PARTS CO.	330-453-8077	ISO	75006	ADFANTAGE CEILING FANS	972-446-9393	FFS	
CLEVELAND	44109	WESTSIDE LIGHTING CTR.	216-459-1970	FFS	78404	BRAND APPLIANCE & MICROWAVE	361-854-1851	ISO	
COLUMBUS	43231	THE LAMP LIGHTER	614-891-7940	FFS	DALLAS	75206	LIGHTS FANTASTIC	214-369-1101	FFS
COLUMBUS	43235	CERTIFIED SYSTEMS	614-799-0878	IHO	DAMON	77430	GULF COAST FAN SVC.	281-495-6434	FFS
DAYTON	45419	LARKIN ELECTRIC CO.	937-294-4115	IHO	DENTON	76201	LARRY W. GOFF	940-387-7304	IHO
DAYTON	45459	OHIO LAMP & FIXTURE CO.	937-439-0822	ISO	DENTON	76210	SOUTHERN COMFORTS	940-536-1406	IHO
GALENA	43021	CERTIFIED SYSTEMS	614-799-0878	IHO	FORT WORTH	76101	S & L LIGHTING SERVICES	817-894-1037	IHO
LOVELAND	45140	HANK GRINSHPAN	513-683-8666	IHO	GRANBURY	76048	S & L LIGHTING SERVICES	817-894-1037	IHO
MAUMEE	43537	K.O.V. ELECTRONIC REPAIR	419-865-8893	IHO	HARLINGEN	78550	THE LIGHT HOUSE GALLERY/LOYDS	956-423-6664	WTS
MAYFIELD HEIGHTS	44124	HOUSE OF LIGHTS INC.	440-449-3500	OWS	HOUSTON	77063	LIGHTING PLUS	713-268-2440	ISO
NORTH LIMA	44452	JOE DICKEY ELECTRIC	330-549-3976	FFS	HOUSTON	77064	GULF COAST FAN SVC.	281-495-6434	FFS
NORTH OLMSTED	44070	CHANDELIER SHACK INC.	440-777-6969	ISO	HOUSTON	77069	CHAMPIONS LIGHTING	281-440-5339	ISO
OKLAHOMA					HOUSTON	77084	BENNETT FAN INSTALL INC.	281-484-1401	IHO
OKLAHOMA CITY	73105	APPLIANCE SERVICE BY CK	405-525-8862	FFS	HUMBLE	77338	CAROLS LIGHTING & FAN SHOP	281-446-7613	ISO
OKLAHOMA CITY	73127	JAMES LIGHTING INC.	405-947-6663	FFS	HURST	76053	ARC FAN & LIGHTING	817-268-2218	S2W
OREGON					MCCALLEN	78504	THE LIGHT HOUSE GALLERY/LOYDS	956-631-1155	WTS
PORTLAND	97225	SYLVAN ELECTRONICS INC.	800-473-1244	ISO	RICHARDSON	75080	COOL BREEZES	972-690-4580	FFS
PENNSYLVANIA					SAN ANGELO	76903	HERITAGE HAUS	325-655-4900	FFS
ALLENTOWN	18102	SCHOLL'S ELECTRIC	610-435-5876	IHO	SAN ANTONIO	78216	CEILING FAN SERVICE CTR.	210-804-1362	IHO
ALLENTOWN	18105	LIGHTING FIXTURE & SUPPLY	610-435-9691	FFS	STAFFORD	77477	GULF COAST FAN SVC.	281-495-6434	FFS
ARDMORE	19003	PATRICK HASTINGS	610-853-2709	IHO	TYLER	75707	CHARLES RAINS	903-566-3119	IHO
BETHLEHEM	18015	JERRY PICCOLINO/J&R SVC.	718-259-1789	IHO	VICTORIA	77904	HALL ELECTRIC	361-578-6221	FFS
CONSHOHOCKEN	19428	KAY ELEC. SUPPLY	800-331-5111	ISO	WICHITA FALLS	76308	LANTERN HOUSE	940-692-7381	ISO
DOWNINGTOWN	19335	TOBIAS ELECTRIC	610-942-4000	IHS	UTAH				
DREXEL HILL	19026	PATRICK HASTINGS	610-853-2709	IHO	LAYTON	84040	HARUO YOSHIKAWA	801-546-6008	IHO
EASTON	18045	PRIMROSE ELECTRIC	610-258-1359	FFS	MURRAY	84107	CENTRAL ELECTRIC CO. INC.	801-467-5479	IHO
FAIRLESS HILLS	19030	ASTRO LIGHTING GALLERIES	215-943-8650	ISO	RIVERTON	84065	VERN O. FRANCIS	801-254-4178	IHO
HARRISBURG	17111	YALE ELECTRIC SUPPLY CO.	717-233-8401	ISO	VERMONT				
HOPWOOD	15445	GEORGE R. SMALLEY INC	724-437-1927	IHO	BOLTON VALLEY	05477	THE FAN MAN	802-734-6752	IHO
LANCASTER	17601	S. DEAN'S ELECTRIC	717-285-4545	IHO	VIRGINIA				
LANSDALE	19446	STEVE SHULMAN	215-368-1960	IHO	ALEXANDRIA	22312	GL FAN SERVICE	301-831-4925	IHO
PHILADELPHIA	19036	PATRICK HASTINGS	610-853-2709	IHO	ARLINGTON	22207	GL FAN SERVICE	301-831-4925	IHO
PHILADELPHIA	19111	KLAUS OTTE	215-745-4266	IHO	BURKE	22015	L & S ELECTRIC INC.	703-237-0011	IHO
PITTSBURGH	15224	MARK DIULUS ELEC	412-681-2553	FFS	FAIRFAX STATION	22039	GL FAN SERVICE	301-831-4925	IHO
STATE COLLEGE	16803	WHITEHILL LIGHTING & SUPPLY	814-238-2449	FFS	FALLS CHURCH	22042	GL FAN SERVICE	301-831-4925	IHO
WAYNE	19087	PATRICK HASTINGS	610-853-2709	IHO	MCLEAN	22102	GL FAN SERVICE	301-831-4925	IHO
WILLOW GROVE	19090	NORTHWEST ELECTRIC	215-659-5757	FFS	NORTH GARDEN	22959	EBEN MORROW	434-296-4862	IHO
RHODE ISLAND					RICHMOND	23228	FANNING ELECTRICAL SERVICE	804-262-3681	FFS
PAWTUCKET	02861	WICKFORD APPLIANCE	401-726-4240	ISO	VIENNA	22181	BEN'S HANDYMAN SERVICE	703-819-4922	IHO
SOUTH CAROLINA					WILLIAMSBURG	23185	TAPROOT CO	757-229-3722	ISO
COLUMBIA	29212	EASTWIND ENTERPRISES	803-781-3267	FFS	WASHINGTON				
GOOSE CREEK	29445	DAVID MIMS	843-514-2380	IHO	KIRKLAND	98033	M.G.M. ELECTRONICS	253-752-9826	IHO
HANAHAAN	29406	BOBBY LUTES ELECTRICAL	843-832-2058	ISO	OLYMPIA	98506	M.G.M. ELECTRONICS	253-752-9826	IHO
MYRTLE BEACH	29575	RAY ELECTRIC	843-293-0068	IHO	PASCO	99301	TOTAL SERVICE INC.	509-547-3799	FFS
OKATIE	29909	J. HEAVENER & CO.	843-837-8300	ISO	SEATTLE	98102	M.G.M. ELECTRONICS	253-752-9826	IHO
SIX MILE	29682	RP YOUNG ELECTRIC CO. LLC	828-697-2115	IHO	TACOMA	98404	M.G.M. ELECTRONICS	253-752-9826	IHO
SPARTANBURG	29306	BOBBY JACKSON ELECT.	864-583-6035	IHO	VANCOUVER	98682	NORTHWEST CUSTOM ELECTRIC	360-882-0290	FFS
SOUTH DAKOTA					WENATCHEE	98801	SEW CREATIVE ADVANTAGE STORE	509-663-5516	FFS
SIoux FALLS	57105	LAMPS AND SHADES INC.	605-332-6680	FFS	WEST VIRGINIA				
TENNESSEE					WHEELING	26003	TOP HAT STOVE SALES	304-233-6262	FFS
BRENTWOOD	37027	SUNSHINE ELECTRICAL	615-371-9383	IHO	WISCONSIN				
MARYVILLE	37803	BEN SNYDER	865-385-1302	IHO	FONTANA	53125	J&L PROPERTY MAINT.	262-275-2345	IHO
MEMPHIS	38111	APPLIANCE SERVICE CTR.	901-324-5898	ISO	GREEN BAY	54313	KARL DEVROY	920-494-6090	IHO
MOUNT CARMEL	37645	APPALACHIAN ELECTRONICS SVC.	423-357-0783	ISO	LA CROSSE	54601	WETTSTEIN'S	608-784-5555	FFS
TEXAS					MADISON	53719	MADISON LIGHTING	608-271-6911	FFS
AMARILLO	79106	DI'S LAMP & FAN REPAIRS	806-331-5267	IHO	MILWAUKEE	53219	BOB'S FAN REPAIR	414-546-2501	IHO
ARLINGTON	76001	P & M QUALITY CONST.	817-478-2004	IHO	CANADA				
AUSTIN	78703	TEXAS CEILING FAN SHOP	512-477-3132	ISO	TORONTO, ONT	M6B1V9	ZANEEN LIGHTING INC.	800-388-3382	FFS
AUSTIN	78723	SHAVER SERVICE CENTER	512-454-5848	ISO	OVERSEAS				
BEAUMONT	77702	FAN FACTORY	409-833-8207	ISO	CASABLANCA CONSUMER AFFAIRS				888-227-2178

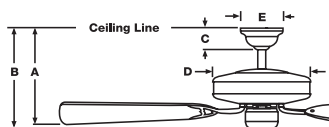
For the most updated listing of Casablanca Authorized Service Centers, visit www.casablancafanco.com/servicecenters or call toll free 1-888-227-2178.

PRODUCT SPECIFICATIONS

Model Name: Verrazano®
Model Number: 65GxxD

Dimensions: A = 21.35"
B = 25.44"
C = 2.7"
D = 9.5"
E = 7"

NOTE: Dimension B measurement to bottom of switch housing.



Motor: XLP-2000®
Blade Span: 54"
Blade Iron Pitch: 13°
No. of Blades: 4
Technology: W-1811
Weight: 37.5 lbs.