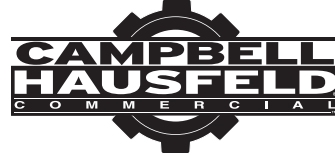
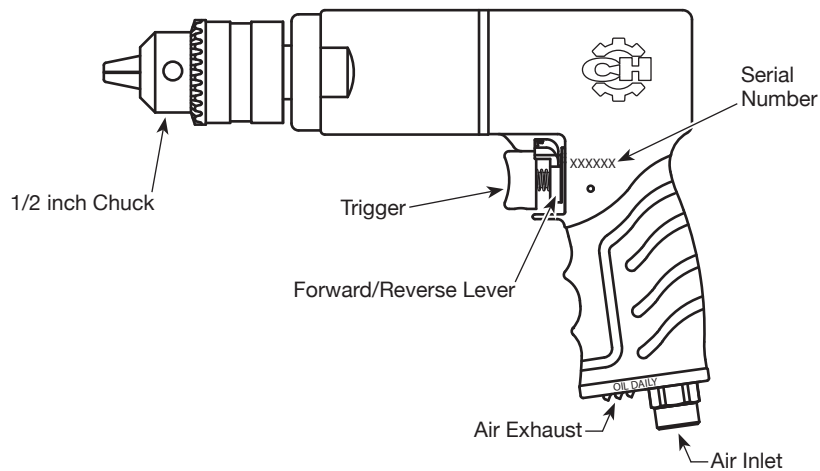


# 1/2 inch Reversible Air Drill



MODEL: CL154600AV



## Description

Air drills are designed for drilling, honing, reaming, hole sawing and wire brushing. High torque, low RPM provides extra power for large drill bits.

## Specifications

Average Air Consumption	15.2 SCFM @ 90 psig (45% usage)
Continuous Air Consumption	33.7 SCFM @ 90 psig (100% usage)
Max. Operating Pressure	90 psig
Air Inlet	1/4 inch NPT (Female)
Minimum Hose Size	3/8 inch
Rated RPM	800
Gear Type	Double Reduction Triple Idler Planetary
Chuck Size	1/2 inch
Drill Shank Size Range	3/32 inch - 1/2 inch
Tool Weight	3.2 lbs.

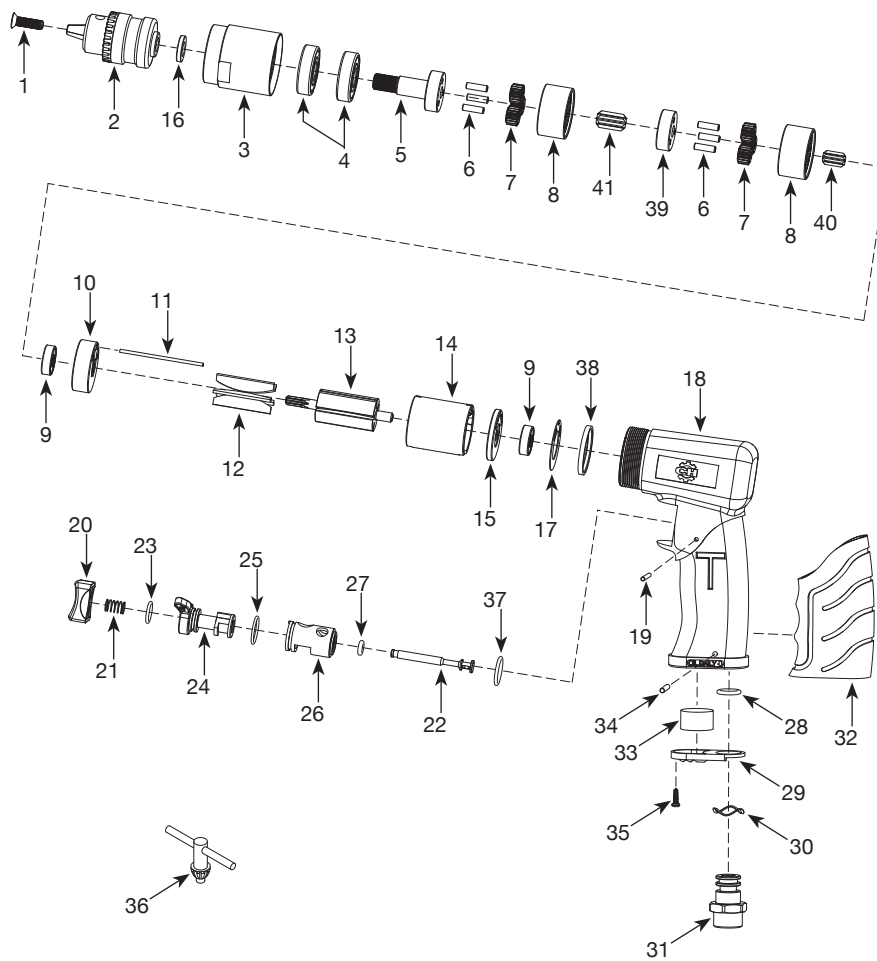
**For Replacement Parts or Technical Assistance,  
Call 1-855-504-5678**

Please provide following information:

- Model number
- Serial number (if any)
- Part description and number as shown in parts list

Address any correspondence to:

Campbell Hausfeld  
Attn: Customer Service  
100 Production Drive  
Harrison, OH 45030 U.S.A.



**REGISTER YOUR PRODUCT ONLINE NOW!**  
<http://reg.ch-commercial.com>

**REPLACEMENT PARTS LIST**

Ref. No.	Description	Part No.	Qty.
1	Screw	▲ ■ ▼	1
2	Drill chuck	▼	1
3	Gear housing	--	1
4	Bearing	■	2
5	Planetary carrier	■	1
6	Pin	■	6
7	Planetary gear	■	6
8	Internal gear	■	2
9	Bearing	●	2
10	Front plate	●	1
11	Pin	●	1
12	Rotor blade	●	5
13	Rotor	●	1
14	Cylinder	●	1
15	End plate	●	1
16	Chuck spacer	▲	1
17	Chuck washer	▲ ●	1
18	Housing	--	1
19	Pin	▲ ◆	1
20	Trigger	◆	1
21	Spring	▲ ◆	1
22	Throttle valve	◆	1
23	O-ring	▲ ◆	1
24	Reverse valve	◆	1
25	O-ring	▲ ◆	1
26	Reverse valve bushing	◆	1
27	O-ring	▲ ◆	1
28	O-ring	▲	1
29	Exhaust diffuser	--	1
30	Wave washer	▲	1
31	Air inlet	--	1
32	Grip	--	1
33	Muffler	▲	1
34	Pin	▲	1
35	Screw	▲	1

*Continued on next page*

**REPLACEMENT PARTS LIST (CONTINUED)**

Ref. No.	Description	Part No.	Qty.
36	Key	▼	1
37	O-ring	▲◆	1
38	Ring	--	1
39	Planetary carrier	■	1
40	Spur gear (0.43 Inch)	■	1
41	Spur gear (0.65 Inch)	■	1

**REPLACEMENT PARTS KITS**

Ref. No.	Description	Part No.
▲	Tune up kit	SV635900AV
■	Planetary gear kit	SV636200AV
●	Motor assembly	SV635700AV
◆	Trigger kit	SV635800AV
▼	Chuck kit	SV634100AV
--	Not available	