

Cal Designs
A Division of California Acrylic Industries, Inc.

2007 OWNER'S MANUAL

- Savannah Octagon

- Savannah Rectangle

Woodcrest Series Gazebos

Manufactured after December 1, 2006 • United States and Canada
© 2007 California Acrylic Industries, Inc.



www.calspas.com

Due to our continuous improvement programs, all models, operation, and/or specifications are subject to change without prior notice.

Contents

Delivery and Set-up

General Safety Precautions	1
Delivery and Set-Up	1
Planning the Best Location for Your Gazebo . . .	1
Preparing a Good Foundation	1
Assembly Basics	2
Tools and Materials	2

Savannah Octagon Gazebo Assembly

Order of Assembly	3
Step 1: Wall Panel Assembly	4
Step 2: Composition Roof Assembly	5

Savannah Rectangle Gazebo Assembly

Order of Assembly	6
Step 1: Wall Panel Assembly	7
Step 2: Roof Frame Assembly	8
Step 3: Roof Panel Installation	9
Step 4: Roof Installation	10

Appendix

Cleaning and Maintenance	11
Troubleshooting	11
Replacement Parts	12
Accessories	21
2007 Warranty Information	24



Copyright 2006 - 2007 California Acrylic Industries, Inc. All rights reserved. Duplication without written consent is strictly prohibited.

Cal Spas™ and Cal Enclosures™ are registered trademarks.

Due to continuous improvement programs, all models, operation, and/or specifications are subject to change without prior notice.

LTR20071015, Rev. A
11/5/06

CONTACT INFORMATION

For customer service, please contact your authorized dealer immediately. If you need additional information and/or assistance, please contact:

C.A.I. Customer Service Department
1462 East Ninth Street
Pomona, CA 91766.

Toll Free: 1-800-CAL-SPAS
Fax: 1-909-629-3890

General Safety Precautions

Carefully read and follow all safety instructions.

1. When installing and assembling your gazebo, it is recommended that two or more people be involved.
2. Do not use the unit during an electrical storm.
3. Do not climb on top of the gazebo. While the gazebo is made out of high-quality wood and is extremely durable, it is not meant to support weight. In addition, falling off of the gazebo while climbing on it can result in serious injury or death.
4. Do not attempt any repair without consulting the manufacturer first. Unauthorized repairs will void the manufacturer's warranty (within the first 90 days).

Delivery and Set-Up

Your Cal Enclosures retailer can help you with foundations and more. Your retailer has a wealth of information and experience about how to get the most out of your gazebo. Your gazebo retailer also has a full line of accessories that are engineered to compliment your gazebo.

Planning the Best Location for Your Gazebo

Most cities and counties require permits for exterior construction and electrical circuits. In addition, some communities have codes requiring residential barriers such as fencing and/or self-closing gates on property to prevent unsupervised access to the property by children under the age of five. Your dealer can provide information on which permits may be required and how to obtain them prior to the delivery of your equipment.

The following are some of the things that you will need to consider when determining the placement of your new gazebo.

Consider How You Will Use Your Gazebo

How you intend to use your gazebo will help you determine where you should position it. For example, will you use your gazebo for recreational purposes? If your gazebo is mainly used for family functions, be sure to leave plenty of room around it for activity.

Consider Your Privacy

In a cold weather climate, bare trees won't provide much privacy. Think of your gazebos surroundings during all seasons to determine your best privacy options. Consider the view of your neighbors as well, when you plan the location of your gazebo.

Provide A View With Your Gazebo

Think about the direction you will be facing when sitting in your gazebo. Do you have a special landscaped area in your yard that you find enjoyable? Perhaps there is an area that catches a soothing breeze during the day and lovely sunset in the evening. Consider these things when you plan your location.

Preparing a Good Foundation

Your gazebo needs a solid and level foundation. The area that it sits on must be able to support the weight of the gazebo and the occupants who use it. If the foundation is inadequate, it may shift or settle after the gazebo is in place, causing stress that could DAMAGE YOUR GAZEBO.

Place the gazebo on an elevated foundation (preferably a 3" concrete slab). Be sure that the concrete slab is at least 12" wider than the outside dimension on the gazebo.

- If you are installing a spa on an elevated wood deck or other structure, we strongly recommend that you consult a structural engineer or contractor to ensure the structure will support the weight of 150 Lbs./ sq. ft.
- It is strongly recommended that a qualified, licensed contractor prepare the foundation for your spa.

Delivery and Set-up

Size Specifications

Model	Length	Width
Ponderosa Gazebo	8'	8'
Savannah Wall Gazebo	12'	8'
	10'	10'
	12'	10'
	16'	10'
	12'	12'
	16'	12'
	10' (Octagon)	10'
	12' (Octagon)	12'
	15' (Octagon)	15'
	18' (Octagon)	18'

For all gazebos, regardless of model, it is recommended that the foundation extend beyond the dimension of the gazebo. For example, if the gazebo you purchased is 12'x12', you will want your foundation to be 14'x14'. The reason for this is because it will be easier to maintain the area around the gazebo (mowing the lawn, edging, etc.) without damaging or scarring the gazebo. Also, in doing this, you will eliminate any potential problems, foundation-wise, in the future.

Assembly Basics

The following will tell you how to assemble your gazebo. If you have any questions, problems with material and/or parts, please contact your local retailer.

NOTE: It is strongly advised that you have a licensed professional install the foundation for your new gazebo. It is imperative that the foundation is level, as any damage that occurs due to an uneven foundation is not covered by the warranty.

When assembling the gazebo, the owner must determine what is the gazebo going to cover. If you plan to use it as a cover for patio furniture, then you can place the gazebo wherever you want it.

If the gazebo is going to cover a spa, we recommend that the spa be located in the center of the slab (for weight distribution) with the gazebo main supports mounted to the concrete at each of the four corners.

1. Prior to delivery of your new Cal Spa, we recommend that you determine where your spa will be placed. For example: if you are going to center your spa on the concrete slab, take measurements that will enable you to determine where the edges of the spa will be located. When done, mark the corner locations.)

2. Upon delivery of your new Cal Spa, notify the installation crew that you have determined where you want the spa located.
3. After the spa has been installed and is operating, the assembly of the your new gazebo may begin.

Important: This gazebo is a free-standing unit. As with any structure, it is critical that all the main support posts be plumb (vertically level). If the first main support post is not plumb, then the entire gazebo will be misaligned. The best way to keep the structure level is to use a level after each time an item is attached or tightened. This will ensure that after each major step is taken, the gazebo remains level.

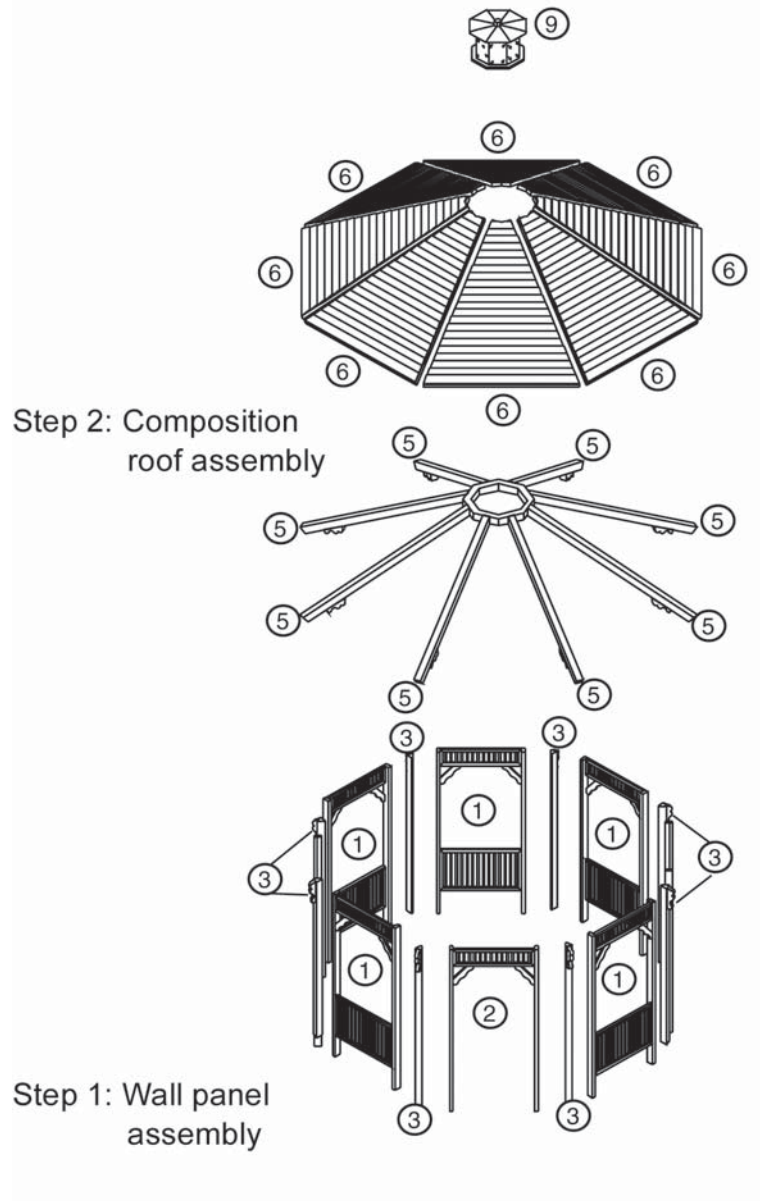
Tools and Materials

Utility knife	25' tape measure
Cordless drill	100' extension cord
Electric drill	Phillips-head drill tips
1/8" pilot hole drill bit	9/16" socket
Slotted-head drill tips	Sandpaper (various grades)
Redwood stain	Wood putty
Gray wash stain	Rags
1/2" ratchet and impact drill	
1/2" carbide drill bit (masonry bit)	

Savannah Octagon Gazebo Assembly

Order of Assembly

Whether you assemble your gazebo yourself or hire someone to do it, your new gazebo needs to be assembled in a specific order. Our Cal Enclosures professionals have determined through their experience that this is the easiest way to assemble your gazebo.



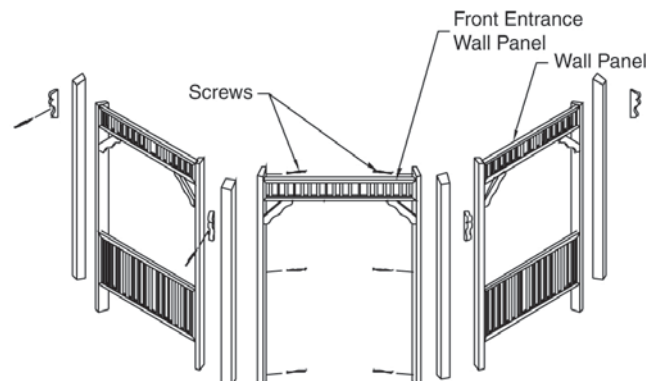
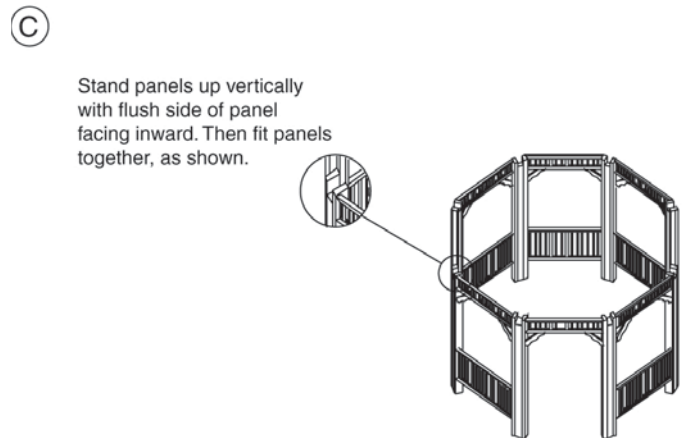
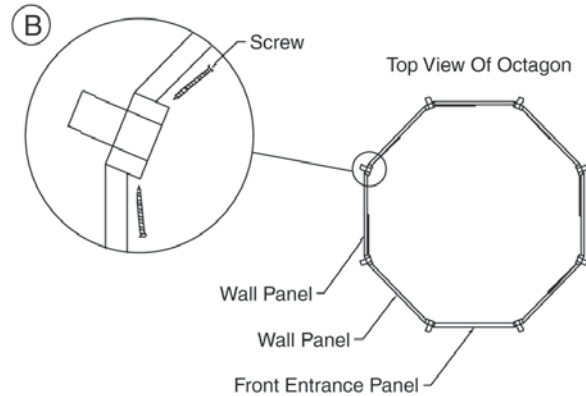
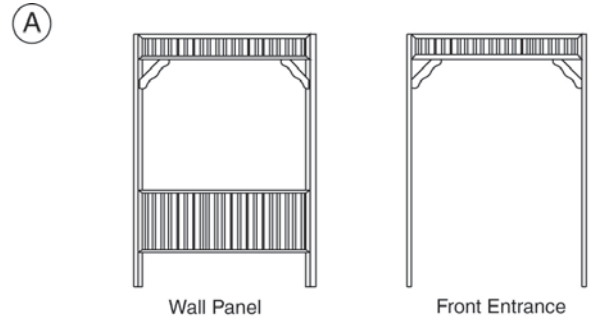
Savannah Octagon Gazebo Assembly

Step 1: Wall Panel Assembly

The assembly instructions contained in this manual are for the Savannah Octagon Gazebo that measures 18'x18'. The assembly instructions will be the same for the 10'x10', 12'x12' and 14'x14' models. The only difference in the assembly of these three models is the amount of steps the owner must perform. Follow the written steps in conjunction with the figures that are shown.

All wall panels are pre-assembled at the factory before being shipped. The smooth side of each wall panel should be facing the inside of the gazebo. Check the parts list that came with your gazebo and make sure that all the parts are present.

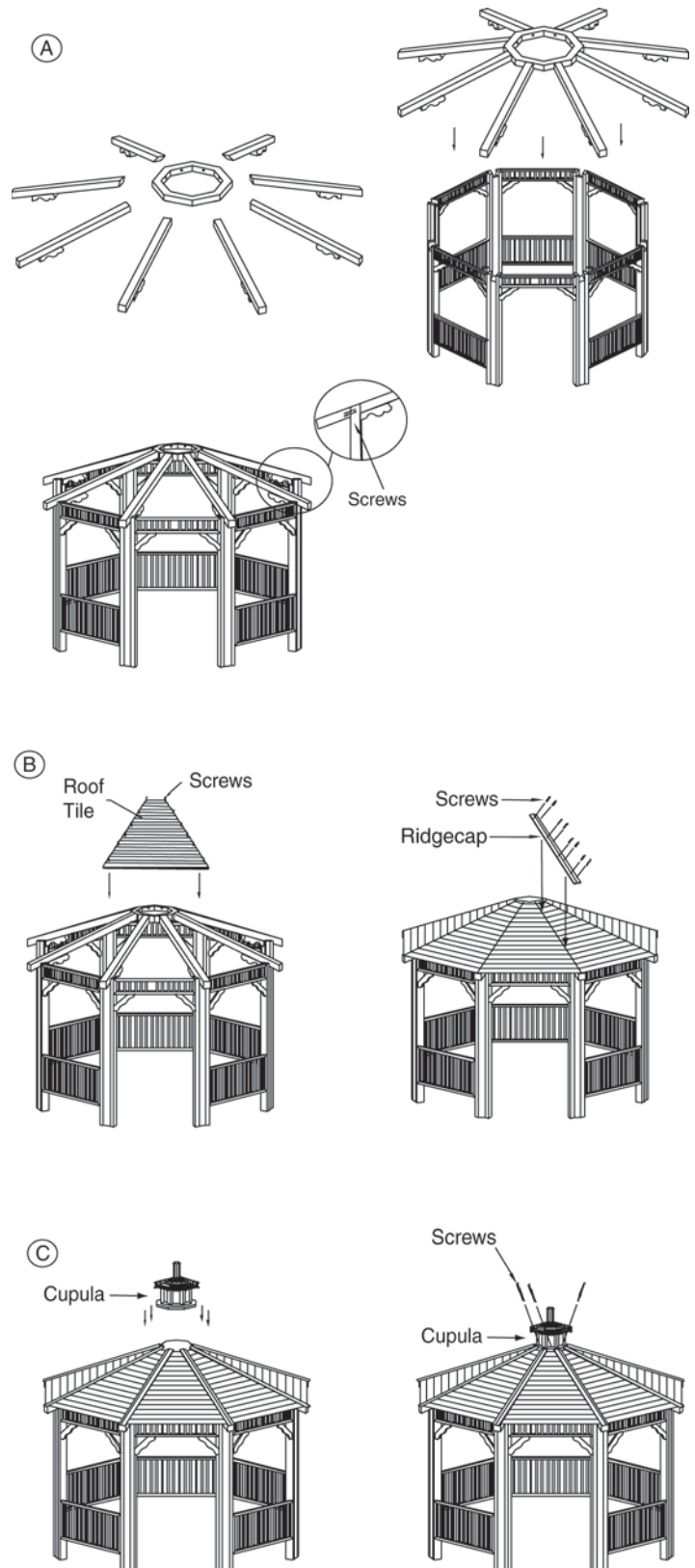
1. Stand panels up vertically with the flush side of the panel facing inward (fit panels together as shown in Figure A).
2. Drill holes in all 2"x4" boards. The holes have already been drilled for the wall panels. Line up the holes and mark the 2"x4" and drill accordingly.
3. Insert the provided drywall screws into the pre-drilled holes and tighten with a phillips-head screwdriver (Figure B).
4. Repeat this step until wall panel assembly is complete (Figure C).
5. Using drywall screws to attach the corbels, as shown in Figure C.



Step 2: Composition Roof Assembly

Check the parts list that came with your gazebo and make sure that all the parts are present. Also, please follow the written steps in conjunction with the figures that are shown.

1. Lay the 8-sided main roof support section flat on the ground. Referring the Figure A, attach the roof support boards to the 8-sided main roof support.
2. With the assistance of another person, place the roof frame assembly onto the assembled wall panels. There is a notch at each corner of the wall panel assembly (8 total). Place the roof frame in these notches and secure with drywall screws (Figure A).
3. Place the 4-sided roof tiles (8 total) in the corresponding positions on the roof frame (narrow end on top, wide end on the bottom). Make sure each roof tile is centered on each support before securing. Secure using drywall screws (Figure B). Repeat this step until the roof frame is completely covered.
4. Attach each ridgecap with drywall screws (Figure B). Repeat this step until each roof joint is covered with a ridgecap.
5. With the aid of a ladder, place the copula on top of the finished gazebo. Using the drywall screws, attach the copula to the roof frame (Figure C).

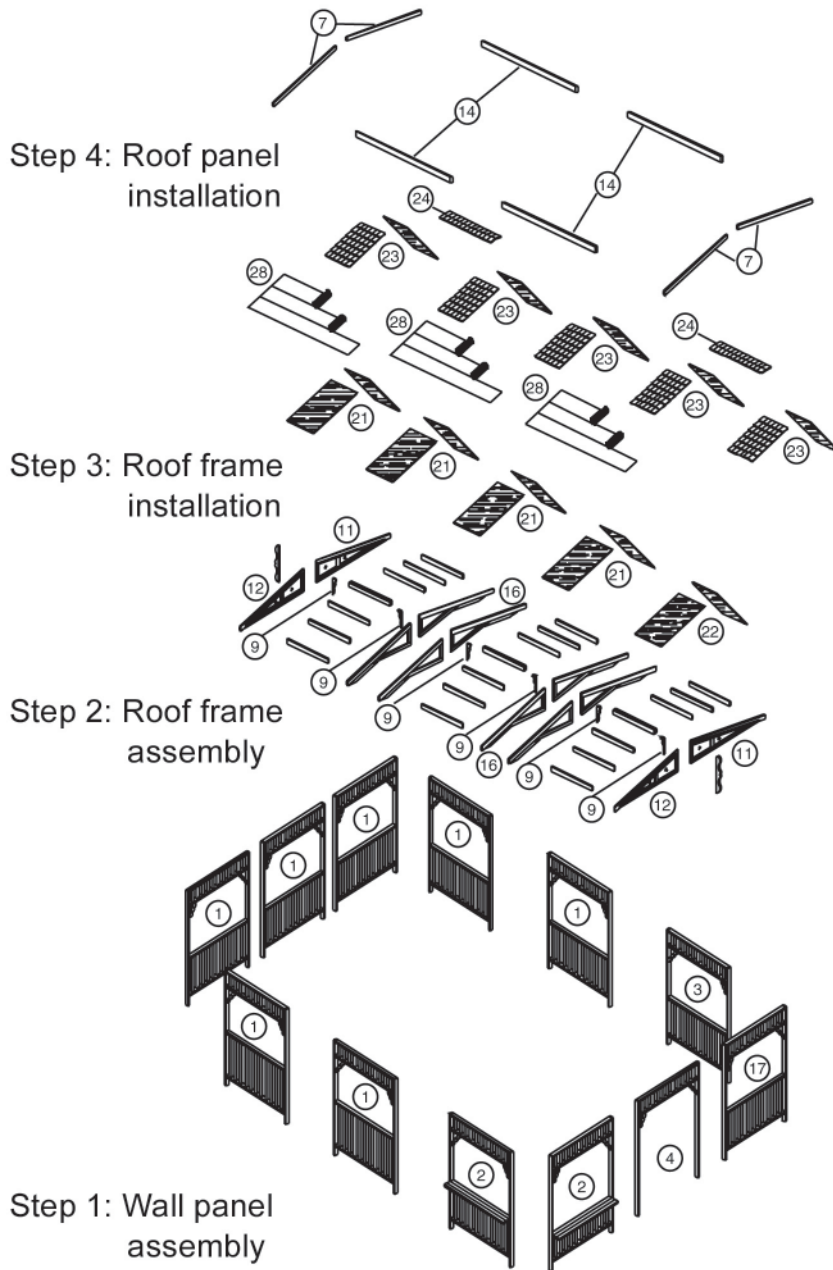


Savannah Rectangle Gazebo Assembly

Savannah Rectangle Gazebo Assembly

Order of Assembly

Whether you assemble your gazebo yourself or hire someone to do it, your new gazebo needs to be assembled in a specific order. Our Cal Enclosures professionals have determined through their experience that this is the easiest way to assemble your gazebo.



Savannah Rectangle Gazebo Assembly

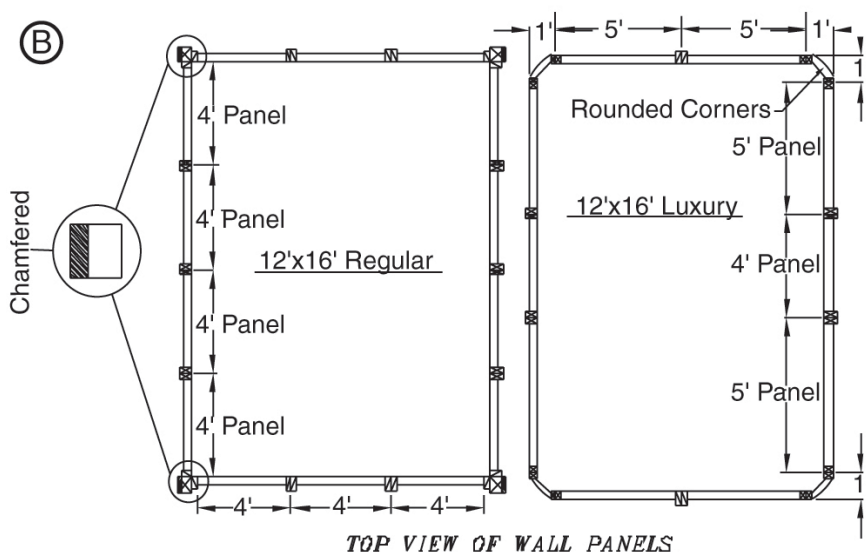
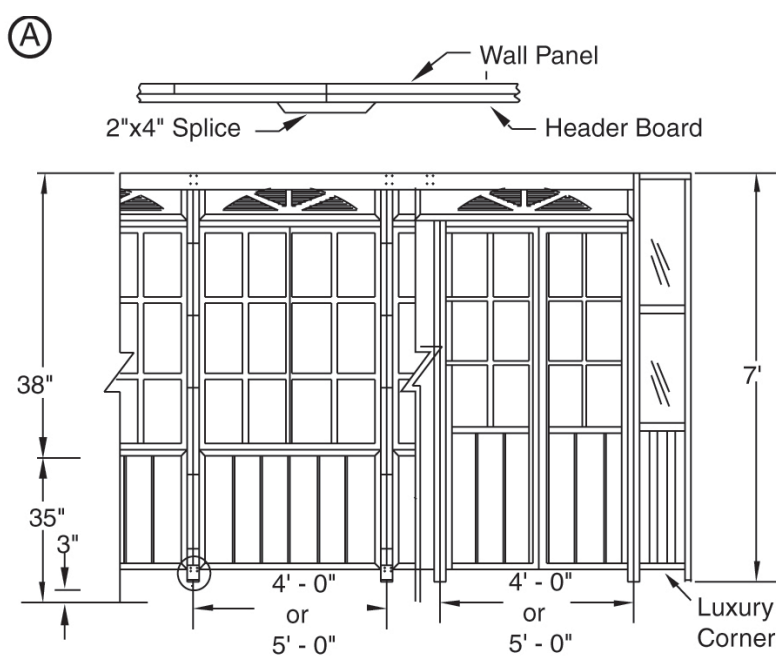
Step 1: Wall Panel Assembly

The assembly instructions contained in this manual are for the Savannah Rectangle Gazebo that measures 12'x16'. The assembly instructions will be the same for the 8'x12', 10'x10', 10'x12', 10'x16' and 12'x12' models. The only difference in the assembly of these five models is the amount of steps the owner must perform. Follow the written steps in conjunction with the figures that are shown.

All wall panels are pre-assembled at the factory before being shipped. The smooth side of each wall panel should be facing the inside of the gazebo. Check the parts list that came with your gazebo and make sure that all the parts are present.

1. Stand two panels up side by side. Attach the panels together using 5 drywall screws (Figure A).
2. At each wall seam, attach a 2"x4" Splice. This will tie-in and stabilize the walls (Figure A).
3. Repeat this step until all the panels are attached. Figure B will show you the proper arrangement of panels.

The rounded corners attach to the wall panels the same way, with five 2 1/2" screws. The owner must use care when securing the wall panel and rounded corner together, as any damage incurred during assembly is not covered by the warranty.



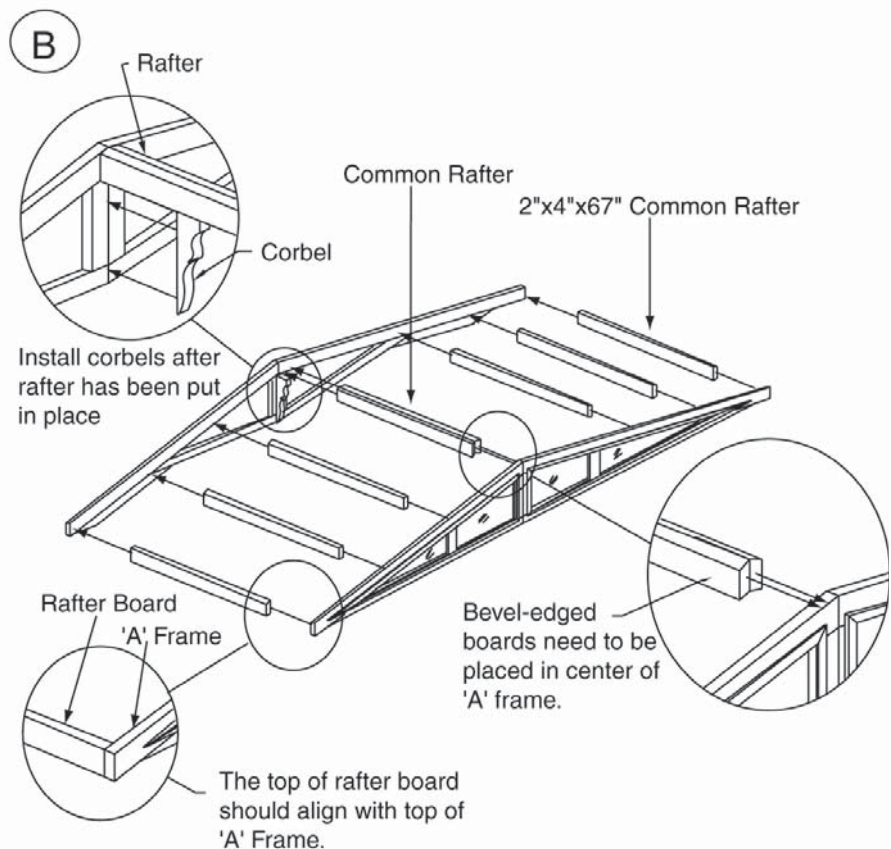
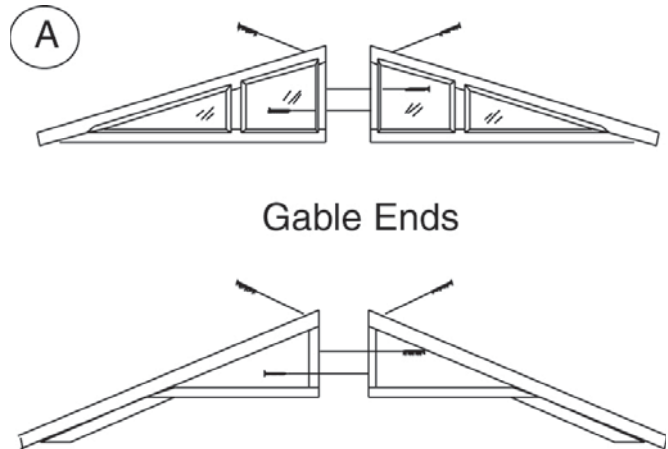
Savannah Rectangle Gazebo Assembly

Step 2: Roof Frame Assembly

When assembling the roof frame, it is recommended that you lay everything out and assemble it on a flat surface. It is also recommended that there be another person available when installing the roof frame on to the gazebo walls.

Check the parts list that came with your gazebo and make sure that all the parts are present. Also, please follow the written steps in conjunction with the figures that are shown.

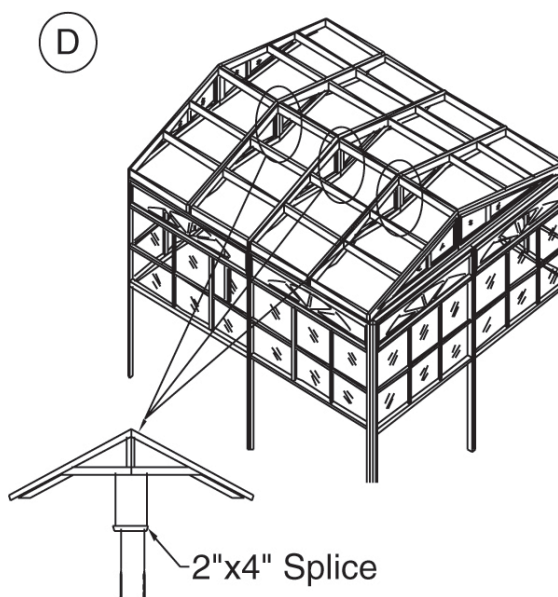
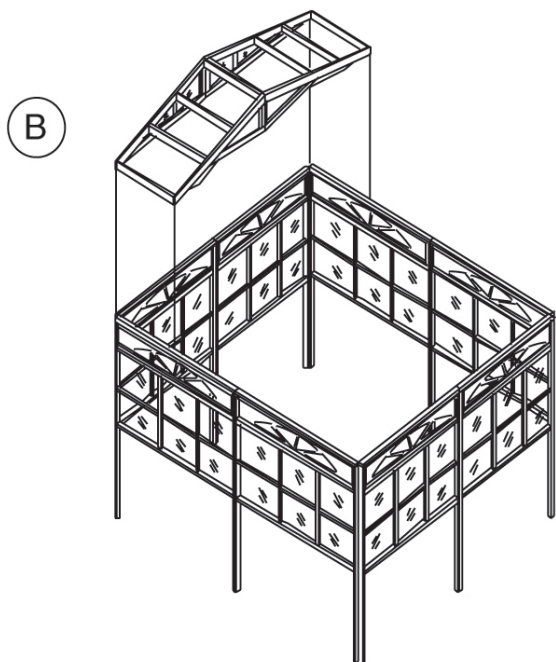
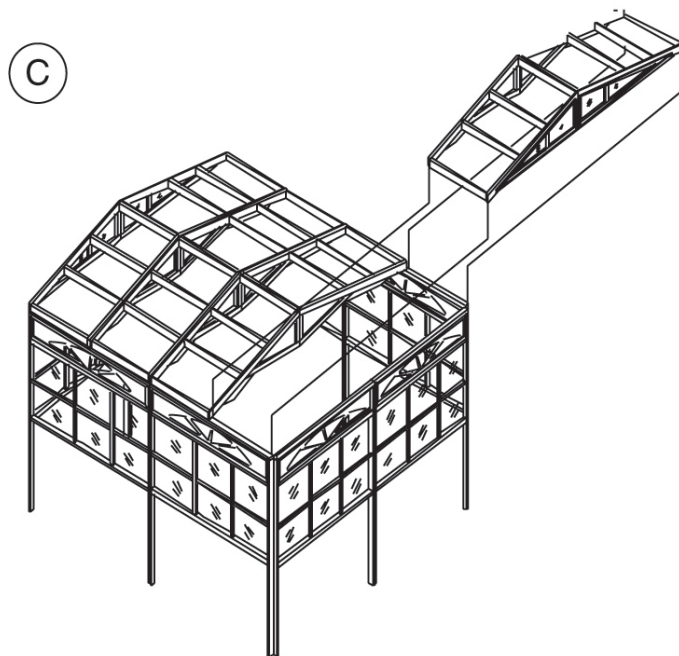
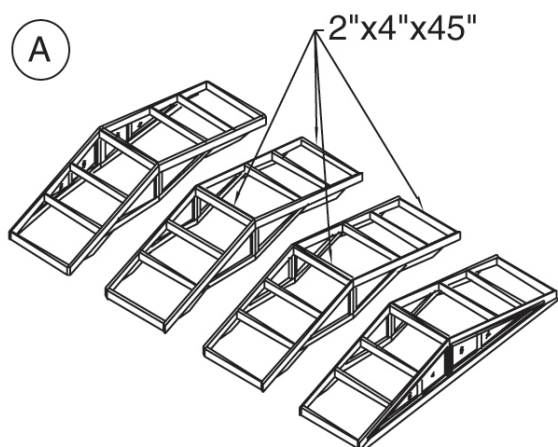
1. Take the gable ends and attach together using drywall screws (Figure A). Use the toe-in method for attachment.
2. Stand each gable end up and place about 6' apart.
3. Take two 2"x4"x67" common rafters and attach them to both gable ends (Figure B). This will keep the roof frame assembly stable while completing the assembly process.
4. Attach two rafter boards at the ends of the gable roof assembly (Figure B).
5. Take four common rafters and attach them to their corresponding locations (as shown in Figure B). Make sure that each common rafter is spaced equally apart.
6. Using the provided drywall screws, attach the corbels (Figure B).
7. Repeat these steps until the roof frame assembly is complete.



Step 3: Roof Panel Installation

It is strongly recommended that you use a ladder for the final steps of the gazebo assembly.

1. Each roof section (4 total) must be set on top of the wall panel assembly and secured. When complete, tie in each roof section to the next roof section with drywall screws (Figures A, B and C).
2. Use 2"x4" splice to reinforce the underside of the roof sections. Secure using drywall screws (Figure D).



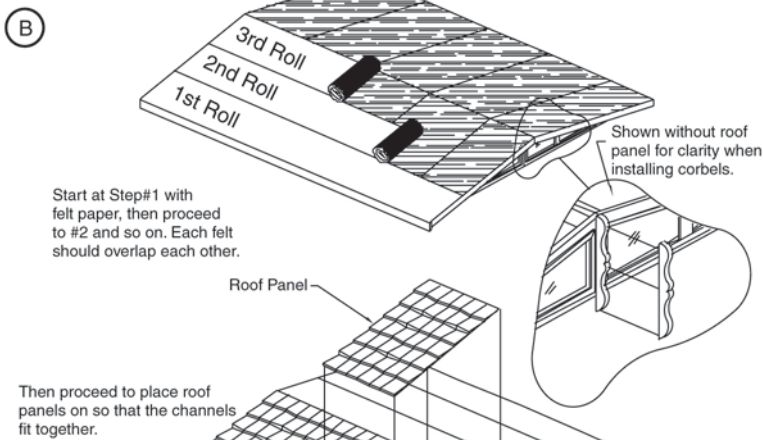
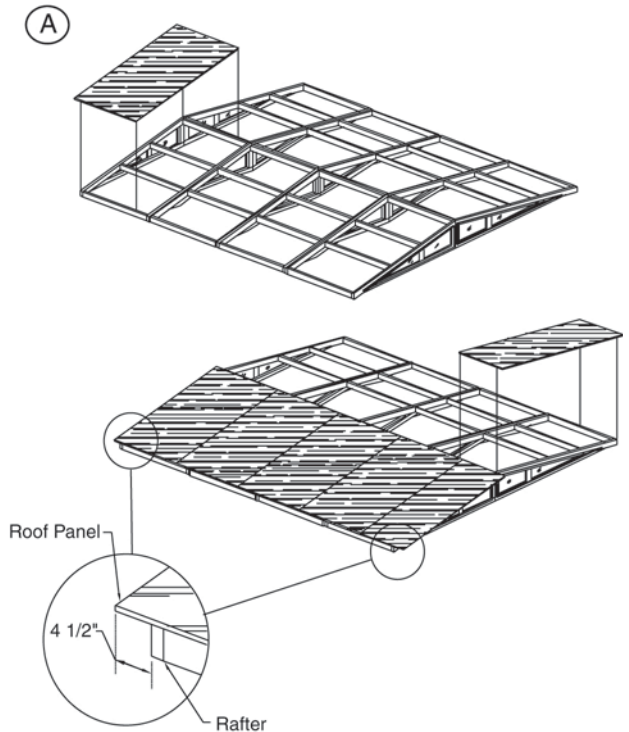
Savannah Rectangle Gazebo Assembly

Step 4: Roof Installation

It is strongly recommended that you use a ladder for the final steps of the gazebo assembly.

When installing the T1-11 plywood (grooved side facing down), the edge of the plywood should overhang the edge of the plexi-glass gable end 4 1/2".

1. Begin by placing one roof panel on to the roof section and secure using drywall screws (Figure A). Repeat this step until all of the roof panels are secured.
2. Once the roof panels are secured, roll out the felt paper along the bottom of the roof panels (Figure B). Make sure that each layer of felt paper overlaps the previous layer.
3. To help reinforce the gable ends, attach a corbel to each side, on the gable seam. Secure with drywall screws (Figure B).

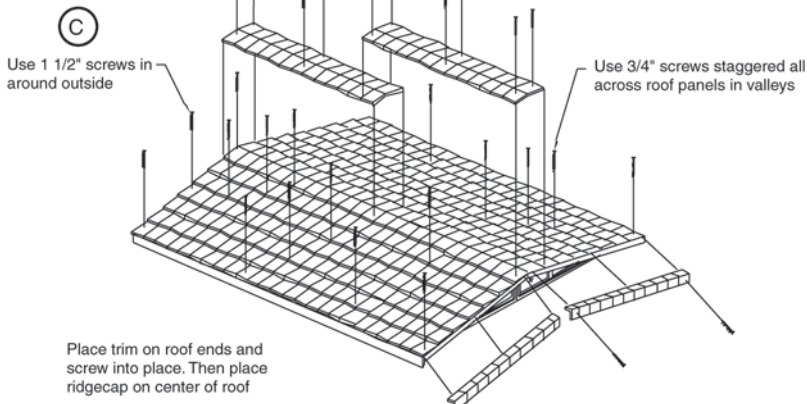


Start at Step#1 with felt paper, then proceed to #2 and so on. Each felt should overlap each other.

Then proceed to place roof panels on so that the channels fit together.

Shown without roof panel for clarity when installing corbels.

4. Place each roof tile panel on top of the roof. Do not secure yet. Line up tile panels and make sure that everything is flush, all the way around (Figure B) and that all the channels fit together.
5. Please use the following methods to secure the tile panels (Figure C):
 - a. Use 1 1/2" screws around the outside portion of the roof (outer-most edge).
 - b. Use 3/4" screws staggered all across the roof panels, in the valleys.
6. Attach the roof trim on each end of the roof using drywall screws (Figure C).
7. Place the ridgecap on top of the roof assembly and attach using drywall screws (Figure C).



Use 1 1/2" screws in around outside

Use 3/4" screws staggered all across roof panels in valleys

Place trim on roof ends and screw into place. Then place ridgecap on center of roof

Cleaning and Maintenance

Your gazebo was designed with low cleaning and maintenance in mind. We recommend that the gazebo be cleaned at least twice a month (or more, if needed). When cleaning your gazebo, do not use cleaning solvents -- using a sponge and water will be fine. For ground-in dirt and grime, refer to the following section.

Maintaining your gazebo is an easy task. We recommend that every six months you inspect the wood on your gazebo. Take note of any deformities in the wood (i.e. cracking, peeling, dirt, grime, etc.). Spot sand these areas with 120-grit sandpaper and wipe these areas clean with a damp rag. When dry, apply a coat of stain or paint to the sanded area. Wipe the stained area clean and reapply until the sanded area matches the rest of the gazebo.

An 8 oz. can of stain is supplied with each gazebo. To replace the can of stain, contact your local Cal Enclosures dealer.

On models that have plexi-glass windows, use cheese cloth and warm water. These windows are made of plexi-glass and do not hold up well under abrasive commercial cleaners.

Troubleshooting

Q: Why won't the windows on the gazebo stay open or closed?

A: This is most likely due to the fact that your foundation is not level. Foundations will most likely have a 1/4" pitch for drainage reasons. To rectify this problem, the gazebo should be shimmed on the low side. Using a standard level, shim the low side so that the gazebo is level.

Q: Why won't the roof panels sit correctly on the roof frame?

A: Check the top plate on the top center frame and make sure it is level and installed correctly.

Q: My roof and wall panels are not lining up correctly, and there are small gaps in the joint seams. Why is this?

A: The main support post is not plumb (meaning vertically level). Make sure the main support post is plumb. Also, make sure that each of your main support beams is square in relation to the main support post (meaning that there is a 90 degree angle when the main support post and the main support beam intersect).

Appendix

Replacement Parts

Cal-Select Grey Replacement Window and Plexi Part Numbers

	WALL PANEL	STATIONARY	SLIDING	PLEXI ONLY
3' WALL	WOO27110020	WOO27110022 17 1/2 X 38	WOO27110023 17 1/2 X 38	WOO27900046 15 1/2 X 17 3/4
4' WALL	WOO27110007	WOO27110008 23 1/2 X 38	WOO27110009 23 1/2 X 38	WOO27102660 17 3/4 X 21 1/2
5' WALL	WOO27110001	WOO27110002 29 1/4 X 38	WOO27110011 29 1/4 X 38	WOO27900047 17 3/4 X 27 1/4
6' WALL	WOO27110030	WOO27110022 17 1/2 X 38	WOO27110023 17 1/2 X 38	WOO27900046 15 1/2 X 17 3/4
5' DOOR	WOO27110003	WOO27110004 29 X 73 1/4	WOO27110005 29 X 73 1/4	WOO27105161 18 3/8 X 27
6' DOOR	WOO27110035	WOO27110036 35 X 73 1/4	WOO27110037 35 X 73 1/4	WOO27105162 18 3/8 X 33
7070 LUX	WOO27104831	WOO27105035 14 X 38	WOO27104833 14 X 38	WOO27104581 12 X 17 3/4
7575 LUX	WOO27104391	WOO27104550 15 1/2 X 38	WOO27514552 15 1/2 X 38	WOO27104580 13 1/2 X 17 3/4
8080 LUX	WOO27103906	WOO27103970 17 1/2 X 38	WOO27103972 17 1/2 X 38	WOO27900046 15 1/2 X 17 3/4
7070 PLEXI	N/A	WOO27112567 20 1/2 X 47 1/4	WOO27112566 20 1/2 X 47 1/4	WOO27105160 18 1/2 X 22 3/8
7575/8080 PLEXI	N/A	WOO27112575 23 1/2 X 47 1/4	WOO27112574 23 1/2 X 47 1/4	WOO27900045 21 1/2 X 22 3/8
LUXURY CORNER	WOO27105944	SPA SIDE WOO27105984	XL SERIES WOO27106002	WOO27106060 20 X 22 5/16

Cal Select Red Replacement Window and Plexi Part Numbers

	WALL PANEL	STATIONARY	SLIDING	PLEXI ONLY
3' WALL	WOO27110040	WOO27110042 17 1/2 X 38	WOO27110043 17 1/2 X 38	WOO27900046 15 1/2 X 17 3/4
4' WALL	WOO27110050	WOO27110052 23 1/2 X 38	WOO27110053 23 1/2 X 38	WOO27102660 17 3/4 X 21 1/2
5' WALL	WOO27110060	WOO27110061 29 1/4 X 38	WOO27110062 29 1/4 X 38	WOO27900047 17 3/4 X 27 1/4
6' WALL	WOO27110070	WOO27110042 17 1/2 X 38	WOO27110043 17 1/2 X 38	WOO27900046 15 1/2 X 17 3/4
5' DOOR	WOO27110080	WOO27110082 29 X 73 1/4	WOO27110083 29 X 73 1/4	WOO27105161 18 3/8 X 27
6' DOOR	WOO27110090	WOO27110092 35 X 73 1/4	WOO27110093 35 X 73 1/4	WOO27105162 18 3/8 X 33
7070 LUX	WOO27104830	WOO27105034 14 X 38	WOO27104832 14 X 38	WOO27104581 12 X 17 3/4
7575 LUX	WOO27104390	WOO27104549 15 1/2 X 38	WOO27104551 15 1/2 X 38	WOO27104580 13 1/2 X 17 3/4
8080 LUX	WOO27103905	WOO27103969 17 1/2 X 38	WOO27103971 17 1/2 X 38	WOO27900046 15 1/2 X 17 3/4
7070 PLEXI	N/A	WOO27112562 20 1/2 X 47 1/4	WOO27112561 20 1/2 X 47 1/4	WOO27105160 18 1/2 X 22 3/8

7575/8080 PLEXI	N/A	WOO27112572 23 1/2 X 47 1/4	WOO27112571 23 1/2 X 47 1/4	WOO27900045 21 1/2 X 22 3/8
LUXURY CORNER	WOO27105943	SPA SIDE WOO27105983	XL SERIES WOO27106001	WOO27106060 20 X 22 5/16

Redwood Replacement Window and Plexi and Part Numbers

	WALL PANEL	STATIONARY	SLIDING	PLEXI ONLY
3' WALL	WOO27102570	WOO27104125 17 1/2 X 38	WOO27103940 17 1/2 X 38	WOO27900046 15 1/2 X 17 3/4
4' WALL	WOO27102560	WOO27102645 23 1/2 X 38	WOO27102625 23 1/2 X 38	WOO27102660 17 3/4 X 21 1/2
4' WALL L/H	WOO27102545	WOO27102645 23 1/2 X 38	WOO27102625 23 1/2 X 38	WOO27102660 17 3/4 X 21 1/2
5' WALL	WOO27102920	WOO27103185 29 1/4 X 38	WOO27103065 29 1/4 X 38	WOO27900047 17 3/4 X 27 1/4
5' WALL L/H	WOO27102924	WOO27103185 29 1/4 X 38	WOO27103065 29 1/4 X 38	WOO27900047 17 3/4 X 27 1/4
6' WALL	WOO27105920	WOO27104125 17 1/2 X 38	WOO27103940 17 1/2 X 38	WOO27900046 15 1/2 X 17 3/4
5' DOOR	WOO27107460	WOO27107200 29 X 73 1/4	WOO27107240 29 X 73 1/4	WOO27102665 17 3/4 X 25
5' DOOR L/H	WOO27107464	WOO27107200 29 X 73 1/4	WOO27107240 29 X 73 1/4	WOO27102665 17 3/4 X 25
6' DOOR	WOO27106585	WOO27106580 35 X 73 1/4	WOO27106580 35 X 73 1/4	WOO27900049 17 3/4 X 31
7070 LUX	WOO27104820	WOO27105060 14 X 38	WOO27104865 14 X 38	WOO27104581 12 X 17 3/4
7575 LUX	WOO27104380	WOO27104565 15 1/2 X 38	WOO27104385 15 1/2 X 38	WOO27104580 13 1/2 X 17 3/4
8080 LUX	WOO27103900	WOO27104125 17 1/2 X 38	WOO27103940 17 1/2 X 38	WOO27900046 15 1/2 X 17 3/4
7070 PLEXI	N/A	WOO27105140 20 1/2 X 47 1/4	WOO27105100 20 1/2 X 47 1/4	WOO27105160 18 1/2 X 22 3/8
7575/8080 PLEXI	N/A	WOO27306170 23 1/2 X 47 1/4	WOO27306160 23 1/2 X 47 1/4	WOO27900045 21 1/2 X 22 3/8
LUXURY CORNER	WOO27105940	SPA SIDE WOO27105980	XL SERIES WOO27106000	WOO27106060 20 X 22 5/16

Redwood with Metal Tracking Replacement Part Numbers

	WALL PANEL	STATIONARY	SLIDING	PLEXI ONLY
3' WALL	WOO27102571	WOO27104125 17 1/2 X 38	WOO27103941 17 1/2 X 38	WOO27900046 15 1/2 X 17 3/4
4' WALL	WOO27102561	WOO27102645 23 1/2 X 38	WOO27102640 23 1/2 X 38	WOO27102660 17 3/4 X 21 1/2
4' WALL L/H	WOO27102670	WOO27102645 23 1/2 X 38	WOO27102640 23 1/2 X 38	WOO27102660 17 3/4 X 21 1/2
5' WALL	WOO27102921	WOO27103185 29 1/4 X 38	WOO27103186 29 1/4 X 38	WOO27900047 17 3/4 X 27 1/4
5' WALL L/H	WOO27102925	WOO27103185 29 1/4 X 38	WOO27103186 29 1/4 X 38	WOO27900047 17 3/4 X 27 1/4
6' WALL	WOO27105921	WOO27104125 17 1/2 X 38	WOO27103941 17 1/2 X 38	WOO27900046 15 1/2 X 17 3/4

Appendix

5' DOOR	WOO27107461	WOO27107200 29 X 73 1/4	WOO27107241 29 X 73 1/4	WOO27102665 17 3/4 X 25
5' DOOR L/H	WOO27107465	WOO27107200 29 X 73 1/4	WOO27107241 29 X 73 1/4	WOO27102665 17 3/4 X 25
6' DOOR	WOO27106586	WOO27106580 35 X 73 1/4	WOO27106584 35 X 73 1/4	WOO27900049 17 3/4 X 31
7070 LUX	WOO27104821	WOO27105060 14 X 38	WOO27104866 14 X 38	WOO27104581 12 X 17 3/4
7575 LUX	WOO27104381	WOO27104565 15 1/2 X 38	WOO27104386 15 1/2 X 38	WOO27104580 13 1/2 X 17 3/4
8080 LUX	WOO27103901	WOO27104125 17 1/2 X 38	WOO27103942 17 1/2 X 38	WOO27900046 15 1/2 X 17 3/4
7070 PLEXI	N/A	WOO27105140 20 1/2 X 47 1/4	WOO27105101 20 1/2 X 47 1/4	WOO27105160 18 1/2 X 22 3/8
7575/8080 PLEXI	N/A	WOO27306170 23 1/2 X 47 1/4	WOO27306161 23 1/2 X 47 1/4	WOO27900045 21 1/2 X 22 3/8
LUXURY CORNER	WOO27105940	SPA SIDE WOO27105980	XL SERIES WOO27106000	WOO27106060 20 X 22 5/16

Wood Part Number List

PART NUMBER	DESCRIPTION
WOO27200680	Panel 1 Green
WOO27200681	Panel 1 Rust
WOO27200682	Panel 1 Grey
WOO27200700	Panel 2 Green
WOO27200701	Panel 2 Rust
WOO27200702	Panel 2 Grey
WOO27200720	Panel 4 Left Green
WOO27200721	Panel 4 Left Rust
WOO27200722	Panel 4 Left Grey
WOO27200740	Panel 4 Right Green
WOO27200741	Panel 4 Right Rust
WOO27200742	Panel 4 Right Grey
WOO27200760	Panel 5 Left Green
WOO27200761	Panel 5 Left Rust
WOO27200762	Panel 5 Left Grey
WOO27200780	Panel 5 Right Green
WOO27200781	Panel 5 Right Rust
WOO27200782	Panel 5 Right Grey
WOO27200800	Panel 6 Green
WOO27200801	Panel 6 Rust
WOO27200802	Panel 6 Grey
WOO27200820	Panel 7 LT TOP Green
WOO27200821	Panel 7 LT TOP Rust
WOO27200822	Panel 7 LT TOP Grey
WOO27200840	Panel 7 LT BTM Green
WOO27200841	Panel 7 LT BTM Rust

WOO27200842	Panel 7 LT BTM Grey
WOO27200860	Panel 7 RT TOP Green
WOO27200861	Panel 7 RT TOP Rust
WOO27200862	Panel 7 RT TOP Grey
WOO27200880	Panel 7 RT BTM Green
WOO27200881	Panel 7 RT BTM Rust
WOO27200882	Panel 7 RT BTM Grey
WOO27200900	Panel 8 LT TOP Green
WOO27200901	Panel 8 LT TOP Rust
WOO27200902	Panel 8 LT TOP Grey
WOO27200920	Panel 8 LT BTM Green
WOO27200921	Panel 8 LT BTM Rust
WOO27200922	Panel 8 LT BTM Grey
WOO27200940	Panel 8 RT TOP Green
WOO27200941	Panel 8 RT TOP Rust
WOO27200942	Panel 8 RT TOP Grey
WOO27200960	Panel 8 RT BTM Green
WOO27200961	Panel 8 RT BTM Rust
WOO27200962	Panel 8 RT BTM Grey
WOO27200980	Panel 9 Top Green
WOO27200981	Panel 9 Top Rust
WOO27200982	Panel 9 Top Grey
WOO27201000	Panel 9 BTM Green
WOO27201001	Panel 9 BTM Rust
WOO27201002	Panel 9 BTM Grey
HAR13900160	Trim 1 36" Green
HAR13900161	Trim 1 36" Rust
HAR13900162	Trim 1 36" Grey
HAR13900170	Trim 2 62" Green
HAR13900171	Trim 2 62" Rust
HAR13900172	Trim 2 62" Grey
	Trim 3 Green
	Trim 3 Rust
	Trim 3 Grey
HAR13900180	Corner 1 47.5" Green
HAR13900181	Corner 1 47.5" Rust
HAR13900182	Corner 1 47.5" Grey
HAR13900190	Corner 2 82.75" Green
HAR13900189	Corner 2 82.75" Rust
HAR13900188	Corner 2 82.75" Grey
WOO27207316	Corner 3 90" Green
WOO27207317	Corner 3 90" Rust
WOO27207318	Corner 3 90" Grey
WOO27207307	Octagon Top 10' Green

Appendix

WOO27207308	Octagon Top 10' Rust
WOO27207309	Octagon Top 10' Grey
WOO27207310	Octagon Bottom 10' Green
WOO27207311	Octagon Bottom 10' Rust
WOO27207312	Octagon Bottom 10' Grey
	Octagon TOP 12' Green
	Octagon TOP 12' Rust
	Octagon TOP 12' Grey
WOO27207313	Octagon Bottom 12' Green
WOO27207314	Octagon Bottom 12' Rust
WOO27207315	Octagon Bottom 12' Grey
WOO27207301	Bay Window Roof 4' Green
WOO27207302	Bay Window Roof 4' Rust
WOO27207303	Bay Window Roof 4' Grey
WOO27207304	Bay Window Roof 5' Green
WOO27207305	Bay Window Roof 5' Rust
WOO27207306	Bay Window Roof 5' Grey
WOO27227005	Octagon Top 15' Green
WOO27227000	Octagon Top 15' Rust
WOO27227001	Octagon Top 15' Grey
WOO27227055	Octagon Middle 15' Green
WOO27227050	Octagon Middle 15' Rust
WOO27227060	Octagon Middle 15' Grey
WOO27227105	Octagon Bottom 15' Green
WOO27227100	Octagon Bottom 15' Rust
WOO27227110	Octagon Bottom 15' Grey
WOO27227115	Octagon Bottom 18' Rust
WOO27227117	Octagon Bottom 18' Grey
WOO27227116	Octagon Bottom 18' Green
	Octagon Corner 18' Rust 104"
	Octagon Corner 18' Grey 104"
	Octagon Corner 18' Green 104"
WOO27520000	METAL ROOF, PANEL 1, UNPAINTED
WOO27520001	METAL ROOF, PANEL 2, UNPAINTED
WOO27520002	METAL ROOF, PANEL 4 LT, UNPAINTED
WOO27520003	METAL ROOF, PANEL 4 RT, UNPAINTED
WOO27520004	METAL ROOF, PANEL 5 LT, UNPAINTED
WOO27520005	METAL ROOF, PANEL 5 RT, UNPAINTED
WOO27520006	METAL ROOF, PANEL 6, UNPAINTED
WOO27520007	METAL ROOF, PANEL 7 LT TOP, UNPAINTED
WOO27520008	METAL ROOF, PANEL 7 LT BOTTOM, UNPAINTED
WOO27520009	METAL ROOF, PANEL 7 RT TOP, UNPAINTED
WOO27520010	METAL ROOF, PANEL 7 RT BOTTOM, UNPAINTED
WOO27520011	METAL ROOF, PANEL 8 LT TOP, UNPAINTED

WOO27520012	METAL ROOF, PANEL 8 LT BOTTOM, UNPAINTED
WOO27520013	METAL ROOF, PANEL 8 RT TOP, UNPAINTED
WOO27520014	METAL ROOF, PANEL 8 RT BOTTOM, UNPAINTED
WOO27520015	METAL ROOF, PANEL 9 TOP, UNPAINTED
WOO27520016	METAL ROOF, PANEL 9 BOTTOM, UNPAINTED
WOO27520017	METAL ROOF TRIM 1 - 36" GAZEBOS
WOO27520018	METAL ROOF TRIM 2 - 62" UNPAINTED
WOO27520019	METAL ROOF CORNER 1 - 47.5" UNPAINTED
WOO27520020	METAL ROOF CORNER 2 - 82.75" UNPAINTED
WOO27207326	METAL ROOF CORNER 4 - GREEN
WOO27207327	METAL ROOF CORNER 4 GREY
WOO27207325	METAL ROOF CORNER 4 RUST
WOO27206000	XL 700 LATTICE ROOF PANEL 33 X 95
WOO27205500	XL 750 LATTICE ROOF PANEL 39 X 101
WOO27205000	XL 800 LATTICE ROOF PANEL 47 X 109
WOO27202320	4' LATTICE ROOF PANEL (R) 36 X 53
WOO27202400	4' LATTICE ROOF PANEL (L) 36 X 53
WOO27204620	CENTER LATTICE PANEL 36 X 46.5
WOO27203580	5' LATTICE ROOF PANEL (R) 36 X 65
WOO27203660	5' LATTICE ROOF PANEL (L) 36 X 65
WOO27205660	XL 700 SOLID ROOF PANEL 33 X 95
WOO27205140	XL 750 SOLID ROOF PANEL 39 X 101
WOO27204700	XL 800 SOLID ROOF PANEL 47 X 109
WOO27201380	4' SOLID ROOF PANEL (R) 36 X 53
WOO27201400	4' SOLID ROOF PANEL (L) 36 X 53
WOO27211020	CENTER SOLID ROOF PANEL 36 X 46.5
WOO27202760	5' SOLID ROOF PANEL (R) 36 X 65
WOO27203040	5' SOLID ROOF PANEL (L) 36 X 65
WOO27202420	5' SOLID ROOF PANEL (R) 62 X 65
WOO27202480	5' SOLID ROOF PANEL (L) 62 X 65
WOO27203680	6' SOLID ROOF PANEL (R) 62 X 77
WOO27203900	6' SOLID ROOF PANEL (L) 62 X 77
WOO27204240	CENTER SOLID ROOF PANEL 46.5 X 62
WOO27201015	SOLID ROOF PANEL 50 3/8 X 62 1/2
WOO27208320	2 X 4 X 49 CROWN MOLDING
WOO27208340	2 X 4 X 37 CROWN MOLDING
WOO27208260	2 X 4 X 79 CROWN MOLDING
WOO27208300	2 X 4 X 60 CROWN MOLDING
WOO27215560	2 X 4 X 102 1/2 CROWN MOLDING
WOO27410460	2 X 4 X 61 1/2 CROWN MOLDING
WOO27207740	HIP RAFTER STD. 2 X 4 X 53
WOO27208100	COMMON RAFTER 40 1/2
WOO27200460	HIP RAFTER STD. NO SLIDER 89"
WOO27200480	COMMON RAFTER NO SLIDER 2 X 4 X 67

Appendix

WOO27200620	JACK RAFTER (R) NO SLIDER 2 X 4 X 67
WOO27200640	JACK RAFTER (L) NO SLIDER 2 X 4 X 67
WOO27200580	JACK RAFTER (R) 2 X 4 X 43
WOO27200660	JACK RAFTER (L) 2 X 4 X 43
WOO27200500	HIP RAFTER STD. NO SLIDER 2 X 4 X 53
WOO27200560	COMMON RAFTER 2 X 3 X 41
WOO27207640	HIP RAFTER STD. 89"
WOO27207940	COMMON RAFTER STANDARD 2 X 4 X 67
WOO27207720	HIP RAFTER (TIMBERLINE) 3 X 4 X 91"
WOO27208060	JACK RAFTER (L) 3 X 4 X 67
WOO27208080	JACK RAFTER (R) 3 X 4 X 67
WOO27208040	COMMON RAFTER 3 X 4 X 67
WOO27213200	HIP RAFTER 3 X 4 X 55.75
WOO27213220	COMMON RAFTER 3 X 4 X 40.5
WOO27207800	HIP RAFTER LUXURY 53"
WOO27216526	JACK RAFTER (L)
WOO27216525	JACK RAFTER (R)
WOO27208980	2 X 4 X 22.5 M1
WOO27208460	2 X 4 X 94.5 M1
WOO27208720	2 X 4 X 46.5 M1
WOO27208880	MOON ROOF FRAME 34 X 34
WOO27208820	MOON ROOF FRAME 40 X 40
WOO27208700	MOON ROOF FRAME W/SLIDER 46.5
WOO27208480	2 X 4 X 94.5 MITERED W/SLIDER
WOO27214720	MOON ROOF NO SLIDER 2 X 4 X 70.5
WOO27214800	MOON ROOF W/SLIDER 2 X 4 X 70.5
WOO27208680	2 X 4 X 69 W/DBL. SLIDER
WOO27208800	2 X 4 X 32.5 MITERED ONE END
WOO27208780	2 X 4 X 38.5 M1
WOO27209000	3 X 4 X 93.75 M1
WOO27209080	3 X 4 X 21.75 M1
WOO27209020	3 X 4 X 45.75 M1 TOP CENTER
WOO27106900	2 X 2 X 24 M2
WOO27107680	2 X 3 X 60 HEADER BOARDS
WOO27107700	2 X 3 X 72 HEADER BOARDS
WOO27200600	2 X 4 X 6.5 CORNER STABILIZER M2
WOO27107720	2 X 3 X 96 TOP OF WALL HEADER BOARDS
WOO27107760	2 X 3 X 82 TOP OF WALL HEADER BOARDS
WOO27107740	2 X 3 X 88 HEADER BOARDS
WOO27211320	2 X 4 X 96 CROSS TIES
WOO27209140	2 X 4 X 72 CROSS TIES M2
WOO27200140	2 X 4 X 60 CROSS TIES M1
WOO27209180	1 X 4 X 18 CROSS TIES M2
WOO27420240	CUPOLA 30 X 62

	CUPOLA 30 X 38
	CUPOLA 54 X 62
WOO27212000	DOME 48 X 96
WOO27211620	DOME 40 X 40
WOO27211680	DOME 46 X 46
WOO27211740	DOME 54 X 54
WOO27211800	DOME 54 X 102
WOO27212140	DOME 54 X 75
WOO27211880	DOME 78 X 78
WOO27211940	DOME 30 X 54
WOO27212060	DOME 30 X 102
WOO27211740	DOME 54 X 54
WOO27211800	DOME 54 X 102
WOO28002560	DOME 30 X 30
WOO27106220	2 X 3 X 85" BOTTOM W/TRACK
WOO27107740	2 X 3 X 88" HEADER BOARD
WOO27208540	2 X 3 X 93" BOTTOM W/TRACK
WOO27208710	48 X 48 X 65 1/2 TRIANGLE MOON ROOF
WOO27208711	38 X 38 X 53 TRIANGLE MOON ROOF
WOO27208712	34 X 34 X 45 TRIANGLE MOON ROOF FRAME
WOO27106680	2 X 3 X 69" W/TRACK BOTTOM
WOO27106960	2 X 4 X 79" TOP OF WALL PANEL
WOO27106920	2 X 2 X 84" CORNER CONNECTOR
WOO27106980	2 X 4 X 85" TOP OF WALL PANEL
WOO27107000	2 X 4 X 93" TOP OF WALL PANEL
WOO27106080	4 X 4 X 83.25" CORNER CONNECTOR
WOO27402170	WINE GLASS HOLDER AND TOWEL RACK FOR LH
WOO27402175	CORNER TOWEL BAR FOR LH
WOO27402182	2 X 6 X 30 FACIA INSIDE
WOO27402184	2 X 6 X 42 FACIA INSIDE
WOO27402190	WINE GLASS HOLDER
WOO27103280	9 1/2 X 57" WALL PANEL TOP
WOO27107600	5' BAY WINDOW BOTTOM SOLID
WOO27200060	2 X 4 X 16 CORBOTS
WOO27103200	31 X 57" WALL PANEL BOTTOM SOLID
WOO27102580	WALL STARBURST 9.5 X 45
WOO27107540	4' BAY WINDOW BOTTOM SOLID
WOO27102600	WALL PANEL BOTTOM 31 X 45
WOO27102680	2 X3 X 84 WALL PANEL LEG
WOO27102581	9.5 X 33 STARBURST
WOO27409166	4 X 4 X 60 POST CSG
WOO27409160	4 X 4 X 60 POST
WOO27409165	4 X 4 X 60 POST CSR
WOO27409140	GLASS AND TOWEL RACK

Appendix

WOO27107480	5' SLIDING DOOR BOTTOM TRACK
WOO27106680	2 X 3 X 69 BOTTOM TRACK
WOO27102992	2 X 3 X 57 DOOR FRAME TOP WITH TRACKING
WOO27102582	31 X 69 WALL PANEL BOTTOM
WOO27104000	9.5 X 69 WALL PANEL STARBURST
WOO27102576	31 X 33 WALL PANEL BOTTOM
WOO27110081	WALL PANEL 5' STARBURST 9.5 X 57 CSR
WOO27110063	WALL PANEL 5' BOTTOM PANEL (33 X 57) CSR
WOO27110051	WALL PANEL 4' STARBURST 9.5 X 45 CSR
WOO27110054	WALL PANEL 4' BOTTOM PANEL (31 X 45)CSR
WOO27110041	WALL PANEL 3' STARBURST 9.5 X 33 CSR
WOO27110091	WALL PANEL 6' STARBURST 9.5 X 69 CSR
WOO27110073	WALL PANEL BOTTOM PANEL (33 X 69) CSR
WOO27104400	WALL PANEL STARBURST 9.5 X 61
WOO27107025	7 X 69 PLEXI PANEL
WOO27102720	7 X 43 PLEXI GLASS
WOO27104040	7 X 55 PLEXI GLASS
WOO27900120	7 X 57 PLEXI GLASS
WOO27103610	12 X 88 CORNER PANEL SOLID
WOO27403860	BAY WINDOW CORNER
WOO27103240	9.5 X 45 LATTICE PANEL TOP
WOO27103280	9.5 X 57 LATTICE WALL PANEL TOP
WOO27402180	22.5 X 45 LATTICE PANEL BOTTOM
WOO27402200	LATTICE PANEL 9.5 X 22.5
WOO27103300	21 1/2 X 57 LATTICE WALL PANEL BOTTOM
WOO27106420	22.75 X 85 LATTICE PANEL
WOO27106480	93 X 22 1/4 LATTICE PANEL
WOO27106560	79 X 22 1/4 LATTICE PANEL
WOO27106860	93 X 9 .5 LATTICE OPENING
WOO27700110	5 X 81 FILLER WALL PANEL
WOO27700112	5 X 81 FILLER WALL PANEL W/ELECTRIC
WOO27700114	GAZEBO FACE PANEL 17 X 81
WOO27700116	GAZEBO FACE PANEL 17 X 81 W/ELECTRICAL
WOO27402380	45" WINE GLASS HANGER
WOO27406900	20" WINE GLASS HANGER
WOO27406960	32" WINE GLASS HANGER
WOO27403100	STOOL TOP ROUND
WOO27403340	STOOL LEG ASSEMBLY
WOO27403325	BAR STOOL TOP CSR
WOO27403345	BAR STOOL LEG ASSEMBLY CSR
WOO27409142	GLASS AND TOWEL RACK CSG
WOO27409141	GLASS AND TOWEL RACK CSR
WOO27201025	RIGHT ROOF SIDE SOLID 18 X 19
WOO27201026	LEFT ROOF SIDE SOLID 18 X 19

WOO27404640	STORAGE STEP EQUIPMENT BOX
HAR13900230	NYLON SPRING GUIDES
WOO27403540	5' BAY WINDOW BACK PANEL
WOO27403880	4' BAY WINDOW BACK PANEL
WOO27700122	LIGHT HOUSE PANEL 10' W/LIGHTS
WOO27700124	LIGHT HOUSE PATIO PANEL 10' W/LIGHTS
ELE09900405	TRANSFORMER 12V, 75 WATTS
ELE09900406	TRANSFORMER 12V, 200 WATTS
LIT16300026	12V RECESSED LIGHT 10 WATTS
WOO27402720	BACK REST
WOO27403560	5' BAY WINDOW BENCH
WOO27403900	4' BAY WINDOW BENCH 16.5 X 48

Accessories

The following is a list of all the accessories that you can use with your Cal Enclosures Gazebo. If you wish to order an accessory, feel free to contact your dealer with the desired part name and part number, or visit www.calspas.com.

Description	Size	Wood	Cal Stone	Deluxe Stone
Bar Top	11'	WOOD289	WOOD289CS	WOOD289DS
	80'	WOOD288	WOOD288CS	WOOD288DS
	75'	WOOD287	WOOD287CS	WOOD287DS
Round Corner		WOOD199	WOOD199CS	WOOD199DS
Storage Bench	11'	WOOD905	WOOD905CS	WOOD905DS
	80'	WOOD902	WOOD902CS	WOOD902DS
	75'	WOOD901	WOOD901CS	WOOD901DS
Crescent S/B		WOOD900	WOOD900CS	WOOD900DS
Bar Corbel		WOO270405060		
Bench Leg		WOO27405020		
Bar Stool		WOOD127	WOOD127CS	WOOD127DS
Surround Step	11'	WOOD296		
	80'	WOOD297		
	75'	WOOD298		
Crescent Step		WOOD214		
30' Step		WOOD107		
30" Storage Step w/Box		WOOD133		
5' Step		WOOD109		
5' Step Storage w/Box		WOOD134		
30" Step w/Handrail		WOOD107-2		
Crown Planter		WOOD189		
Bench	11'	WOOD923	WOOD923CS	WOOD923DS
	80'	WOOD922	WOOD922CS	WOOD922DS
	75'	WOOD921	WOOD921CS	WOOD921DS
Crescent Bench		WOOD920	WOOD920CS	WOOD920DS
Privacy Panel		WOOD183		
30" Step (3 tier)	30"	WOOD108		
30" Step (3 Tier with Handrail)	30"	WOOD108-2		
Towel/Wine Glass Rack	4'	WOOD113		
Towel/Wine Glass Rack	5'	WOOD113-5		
Wine Glass Hanger		WOOD114		
Towel Tree		WOOD169		

2007 WARRANTY

This limited warranty is effective for gazebos and saunas manufactured after December 4, 2006.



5 Year Sauna Structural

C.A.I. warrants its Extreme Outdoor Saunas exterior siding against defects in materials and workmanship for a period of five years from the original date of purchase. All other Extreme Outdoor Sauna components are warranted against defects in materials and workmanship for a period of one year from the original date of purchase.



1 Year Sauna Structural

C.A.I. warrants its saunas against defects in materials and workmanship for a period of one year from the original date of purchase.



3 Year Gazebo

C.A.I. warrants Cal Select against defects in material and workmanship, warping, and discoloration for a period of three years. All other gazebo materials are warranted for a period of 90 days.



1 Year Sauna Equipment

C.A.I. warrants factory installed equipment: sauna heater, control system, and L.E.D. light source against defects in material and workmanship for a period of one year from the original date of purchase.

Extent of Warranty

This warranty applies only to products delivered in the United States or Canada and extends to the original purchaser at the original site of installation only. This warranty becomes valid at time of purchase and terminates either by specified time-frame listed above or by owner transfer or relocation.

Manufacturer Warranty

All Cal Heat Saunas and Cal Enclosures Gazebos are manufactured with the highest quality appliances and are warranted to be free from defects in material and/or workmanship at the time of delivery. The appliance warranty is extended through the manufacturer of the appliance including, but not limited to televisions, stereos, DVD players, etc.

Warranty Limitations

This warranty does not apply if the gazebo and/or sauna has been subject to negligence, alteration, misuse, abuse, repairs by non-C.A.I. authorized representatives, incorrect installation, acts of God, and any other cases beyond the control of C.A.I. Examples of common acts invalidating this warranty include but are not limited to:

- Failure to use a wood protectant (e.g. linseed oil)
- Use of lacquer or paints
- Gazebo and sauna accessories placed on non-approved surfaces
See owners manual for more information
- Outdoor applications (except Extreme Outdoor Saunas)
- Normal wear & tear and weathering

Seasonal checking and surface cracks are not considered defects in material or workmanship, as they are normal characteristics of all wood.

Customer Service

For customer service, contact an authorized service agent immediately. If you do not know who your local representative is, contact the C.A.I. Customer Relations Department at 1462 E. Ninth St Pomona, CA 91766, or call (800) 225-7727.

Wood Accessories Warranty

C.A.I. warrants steps, bars, barstools, planter boxes, towel racks, and other small accessories against defects in material and workmanship at the time of delivery.

Legal Remedies

This warranty gives you specific legal rights, and you may have other rights, which may vary from state to state.

Warranty Performance

In the event of a malfunction or defect covered under the terms of this warranty, a factory authorized service agent of C.A.I. will perform the necessary repairs. To obtain service, contact the authorized selling dealer. In the event the consumer is unable to obtain service or satisfactory customer service from the authorized selling dealer or service agent, written notification must be given to the C.A.I. Customer Relations Department within (10) ten days of reported failure. There will be no charge for parts on a covered item. However, the authorized service agent may assess a reasonable travel or mileage charge per service call. If C.A.I. determines that repair of a covered item is not feasible, C.A.I. reserves the right to replace the defective merchandise with merchandise of equal value to the original purchase price. In the event of any warranty replacement, all removal, replacement, installation, and shipping costs are the primary responsibility of the customer.

Disclaimers

C.A.I. shall not be liable for loss of use of the gazebo and/or sauna incidental or consequential costs, expense or damages, which may include but are not limited to removal of permanent deck or other customer fixture or the necessity for crane removal. Any implied warranty shall have duration equal to the duration of the applicable warranty stated above. Under no circumstances shall C.A.I. or any of its representatives be held liable for injury to any person or damage to any property, however arising.

This limited warranty applies only to the aforementioned products normally used for personal, family, or household purposes.



2007 Warranty Information

See your Cal Designs gazebo dealer for a copy of the applicable warranty, details and any questions you may have regarding the warranty coverage on your gazebo.

Warranty Exclusions

The Limited Warranty is void if the gazebo has been subject to negligence, alteration, misuse, abuse, repairs by non- C.A.I. authorized representatives, acts of God and any other cases beyond the control of C.A.I. Examples of common acts invalidating this warranty include but are not limited to:

- Use of the gazebo in a non-residential application
- Scratches caused by normal use
- Damage caused by extreme weather conditions (heat, cold, etc.)

- Damage caused by dirt, sand, and/or water damage
- Damage caused by direct sunlight
- Damage caused as a result of failure to follow the assembly instructions as defined in this Owner's Manual

This Limited Warranty applies only to gazebos normally used for personal, family, or household purposes.

This Limited Warranty is obsolete 90 days after the original purchase date.

Warranty Limitations

C.A.I. warrants Cal Select against defects and workmanship, warping, and discoloration for a period of 3 years. All other gazebo materials are warranted for a period of 90 days.

Seasonal checking and surface cracks are not considered defects in material or workmanship, as they are normal characteristics of all wood.

DON'T FORGET TO REGISTER YOUR NEW PRODUCT AT WWW. CALSPAS.COM.

Locating the product serial number

The serial number of your gazebo is located [xx]. You will need this number to properly register your grill or cart and activate coverage. Write this information in the space provided below.

Gazebo Model: _____

Gazebo Serial Number: _____

Date Purchased: _____

Date Installed: _____

Cal Spa Dealer's Phone Number: _____

Cal Spa Dealer's Address: _____