

BRYSTON

2BSST
POWER AMPLIFIER
OWNER'S MANUAL

IMPORTANT SAFETY INSTRUCTIONS



The lightning flash with arrowhead symbol within an equilateral triangle, is intended to alert the user to the presence of un-insulated "dangerous voltage" within the product's enclosure that may be of sufficient magnitude to constitute a risk of electric shock to persons.



The exclamation point within an equilateral triangle is intended to alert the user to the presence of important operating and maintenance (servicing) instructions in the literature accompanying the product.

1. Read these instructions.
2. Keep these instructions.
3. Heed all warnings.
4. Follow all instructions.
5. Do not use this apparatus near water.
6. Clean only with dry cloth.
7. Do not block any ventilation openings. Install in accordance with the manufacturer's instructions.
8. Do not install near any heat sources such as radiators, heat registers, stoves, or other apparatus (including amplifiers) that produce heat.
9. Do not defeat the safety purpose of the polarized or grounding-type plug. A polarized plug has two blades with one wider than the other. A grounding type plug has two blades and a third grounding prong. The wide blade or the third prong are provided for your safety. If the provided plug does not fit into your outlet, consult an electrician for replacement of the obsolete outlet.
10. Protect the power cord from being walked on or pinched particularly at plugs, convenience receptacles, and the point where they exit from the apparatus.
11. Only use attachments/accessories specified by the manufacturer.
12. Use only with the cart, stand, tripod, bracket, or table specified by the manufacturer, or sold with the apparatus. When a cart is used use caution when moving the cart/apparatus combination to avoid injury from tip-over.
13. Unplug this apparatus during lightning storms or when unused for long periods of time.
14. Refer all servicing to qualified service personnel. Servicing is required when the apparatus has been damaged in any way, such as power-supply cord or plug is damaged, liquid has been spilled or objects have fallen into the apparatus, the apparatus has been exposed to rain or moisture, does not operate normally, or has been dropped.



WARNING: TO REDUCE THE RISK OF FIRE OR ELECTRIC SHOCK, DO NOT EXPOSE THIS APPARATUS TO RAIN OR MOISTURE.

DO NOT EXPOSE THIS EQUIPMENT TO DRIPPING OR SPLASHING AND ENSURE THAT NO OBJECTS FILLED WITH LIQUIDS, SUCH AS VASES, ARE PLACED ON THE EQUIPMENT.

TO COMPLETELY DISCONNECT THIS EQUIPMENT FROM THE AC MAINS, DISCONNECT THE POWER SUPPLY CORD PLUG FROM THE AC RECEPTACLE.

THE MAINS PLUG OF THE POWER SUPPLY CORD SHALL REMAIN READILY OPERABLE.

BRYSTON LIMITED WARRANTY

Bryston analog audio circuits are warranted to be free from manufacturing defects for twenty (20) years from the original date of manufacture. The warranty includes parts and labour.

Bryston Digital circuits and cables are warranted for five years from the original date of manufacture. The warranty includes parts and labour.

Bryston products having motorized moving parts, excluding motorized volume controls, are warranted for three years from the original date of manufacture. The warranty includes parts and labour.

Bryston will remedy the problem by repair or replacement, as we deem necessary, to restore the product to full performance. Bryston will pay shipping costs one way (usually the return portion) during the first three years of warranty coverage.

In the event of a defect or malfunction, contact Bryston's repair centers for return authorization. Products must be returned using original packaging material only. Packing material may be purchased from Bryston if necessary. This warranty is considered void if the defect, malfunction or failure of the product or any component part was caused by damage (not resulting from a defect or malfunction) or abuse while in the possession of the customer. Tampering by persons other than factory authorized service personnel or failure to fully comply with Bryston operating instructions voids the warranty. This warranty gives you specific legal rights and you may also have other rights which may vary from province to province and country to country.

As of 2006-02-22 Bryston will only warranty Bryston products purchased through authorized Bryston dealers. Bryston products with a date code of 0608 or higher (date code format is "yyww", where "yy" is the two least significant digits of the year and "ww" is the week of the year) must be accompanied by a copy of the bill-of-sale from a Bryston authorized dealer to qualify for warranty service. The warranty is transferable from the original owner to a subsequent owner as long as a copy of the bill-of-sale from the original authorized Bryston dealer accompanies the re-sale. The copy of the bill of sale to any subsequent owner need ONLY include the Name of the Bryston Authorized Dealer and the Model and Serial number of the Bryston product. The warranty will only be honored in the country of the original purchase unless otherwise pre-authorized by Bryston.

BRYSTON SERVICE in CANADA:

Postal address: **P.O. BOX 2170, Stn. Main
PETERBOROUGH, ONTARIO
CANADA K9J 7Y4**

Courier address: **677 NEAL DRIVE
PETERBOROUGH, ONTARIO
CANADA K9J 6X7**

PHONE: 705-742-5325
FAX: 705-742-0882
E-mail: cdnser@bryston.ca

BRYSTON SERVICE in the USA:

**79 COVENTRY ST., Suite 5
NEWPORT, VERMONT
U.S.A. 05855-2100**

PHONE: 802-334-1201
FAX: 802-334-6658
E-mail: usaser@bryston.ca

BRYSTON SERVICE outside Canada and the USA:

contact your local distributor *or*

CHECK OUR WEB SITE: www.bryston.ca
E-MAIL BRYSTON DIRECTLY: cdnser@bryston.ca
FAX BRYSTON DIRECTLY: 01-705-742-0882
PHONE BRYSTON DIRECTLY: 01-705-742-5325

INTRODUCTION:

Thank you for choosing the Bryston 2BSST. We welcome any suggestions you may have, or comments regarding the operation of your amplifier. We consider you, our customer, to be Bryston's' most important resource, and your opinion is very much appreciated. No warranty card is necessary to initiate your coverage. Refer to the back page for detailed warranty information. Please save the original box and all packing materials. Always use the original packing materials when shipping or moving the 2BSST.

BRYSTON 2BSST AMPLIFIER DESCRIPTION:

The 2BSST is a dual mono design power amplifier consisting of two totally independent amplifiers with +/-58V power supply modules. The Bryston 2BSST will operate as a STEREO power amplifier or as a bridged MONO power amplifier. Each 2BSST channel provides input switching and connections for balanced (XLR type) or single ended (RCA style) input. Each 2BSST channel provides sensitivity selection for 1 Volt (29dB gain) or 2 Volt input sensitivity (23dB gain). The 2BSST has remote A/C power control using a low volt trigger input. (see Remote Power Control section.)

INSTALLATION SETUP and RECOMMENDATIONS:

Check the label next to the power input connector on the rear of the 2BSST and verify your amplifier complies to your local A/C voltage and frequency requirements.

The 2BSST is a convection cooled amplifier and requires the installation to allow for un-restricted air flow through the heat sinks. We recommend maintaining at least 3 inches of clear space to the sides of the amplifier, and if possible that the 2BSST be on its own dedicated shelf. Install only horizontally with logo up. The 2BSST should not be installed near other heat sources like heating vents or radiators. Equipment mounted above the 2BSST should maintain at least 3 inches of clearance. The 2BSST should not be installed in tight enclosed areas.

(See *INSTALLATION of 2BSST* on page 3)

Bryston recommends that at least 6 inches of space be provided to the rear of the amplifier for properly dressing input, output and power cables. Speaker cables should be as short as possible. Use quality cables of at least 16 gauge . The 2BSST binding posts will accept stripped bare wire, pin connectors, spade lugs or banana plugs. Use gold plated connectors for lowest contact resistance. After all input cables and speaker output connections are correctly made, plug the power cable into the wall outlet. The power on/off switch is located on the front panel and is labeled **2BSST**. Simply depress the switch to turn on and push again to turn off. The 2BSST may also be powered on using a low voltage trigger. (see Remote Power Control section.)

LED STATUS INDICATORS:

The 2B SST uses tri-color LED's with green indicating NORMAL operation, FLASHING RED indicating overload or clipping, and ORANGE indicating thermal shutdown. Upon power-up the 2BSST LED's will remain "RED" until all voltages stabilize, then the unit comes out of mute, and the LED's turn GREEN.

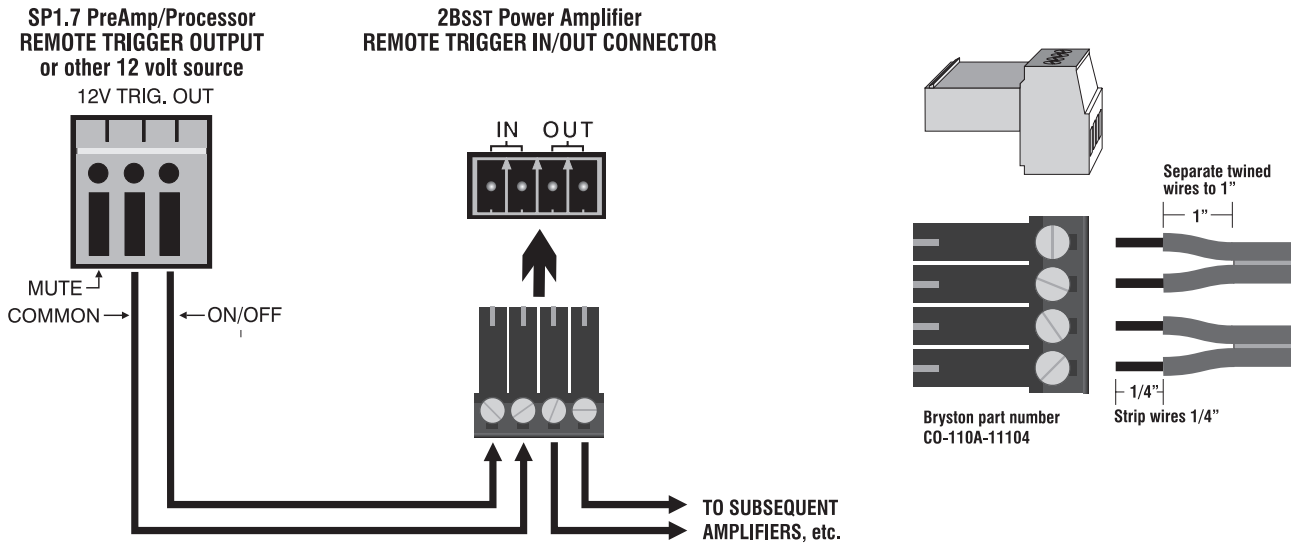
Should the LED indicator flash RED or contain a substantial RED content when program is present, the program INPUT level is too high and the output can no longer accurately follow the input (CLIPPING). This condition may cause speaker damage if it continues. Reduce the input level until the 2BSST flashes RED only on the loudest passages in the program. Substantial clipping indicates the amplifier application will need either a more powerful amplifier or more efficient loudspeakers.

Should the LED's turn ORANGE the 2BSST has shut down due to overheating. The 2BSST will reset itself when the heat sink temperature returns to a safe operating temperature. Thermal shutdown indicates the amplifier is incorrectly installed and a remedy must be found to provide better cooling for the amplifier.

REMOTE POWER CONTROL ~ 12 VOLT TRIGGER CONNECTOR:

The 2BSST may be powered on or off using a 12 volt A/C or D/C voltage by using the rear panel 4 position screw terminal connector. Insert the 12 volt wires into the input labeled 'IN' (polarity is not important). The power amplifier will now power on when a 12 volt trigger voltage is applied or off when removed. This same trigger voltage is available at the connector positions labeled 'OUT' after the 2B SST has completely powered up. This voltage can then be used to power another 12 volt device. This feature allows sequencing of your power amps without large turn-on surges.

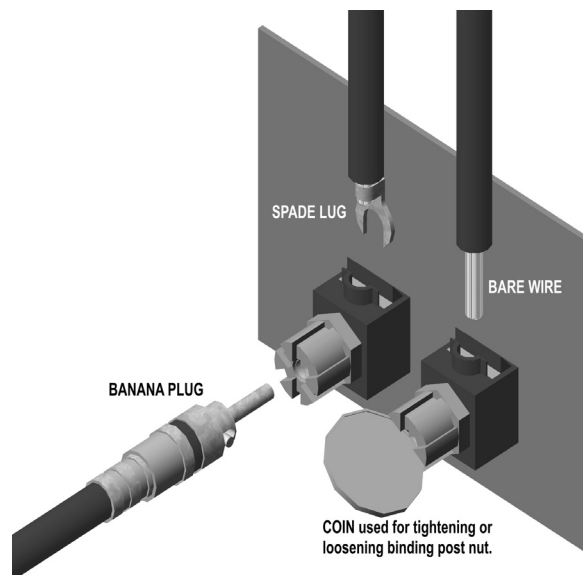
IMPORTANT: *the front panel power switch must be OFF in order for the 12 volt trigger feature to work.*



VARIOUS SPEAKER WIRE TERMINATIONS



AMPLIFIER OUTPUT BINDING POSTS FOR CONNECTING SPEAKERS



2Bsst SPECIFICATIONS:

Power Output: 100 watts per channel into 8 ohms

Input Impedance: 10K ohms single ended (unbalanced)
15K ohms double ended (balanced)

Sensitivity: 2v setting 2 Volts in = 100 Watts into 8 ohms - gain 23 dB
1v setting 1 Volt in = 100 Watts into 8 ohms - gain 29 dB

Distortion: THD+noise: < 0.010% 20Hz to 20kHz at 100 watts into 8 ohms,
IMD: < 0.010% 60Hz + 7KHz mixed 4:1

Noise: Measured with input shorted - 20Hz to 20kHz.
>108dB below rated output (with 20Hz to 22KHz bandpass filter)

Slew Rate: >60 volts per microsecond

Power Bandwidth: <1 Hz to over 100 kHz

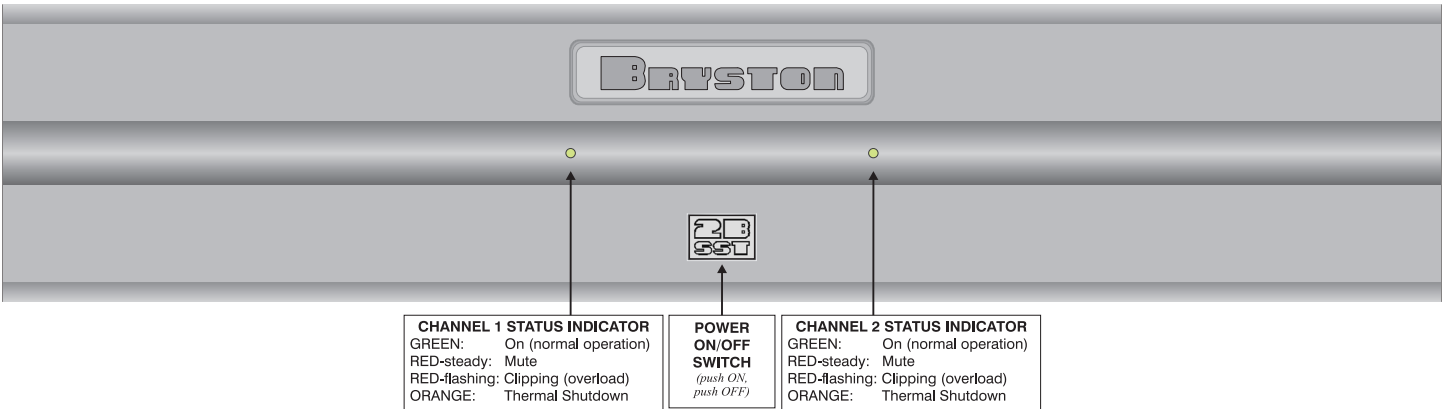
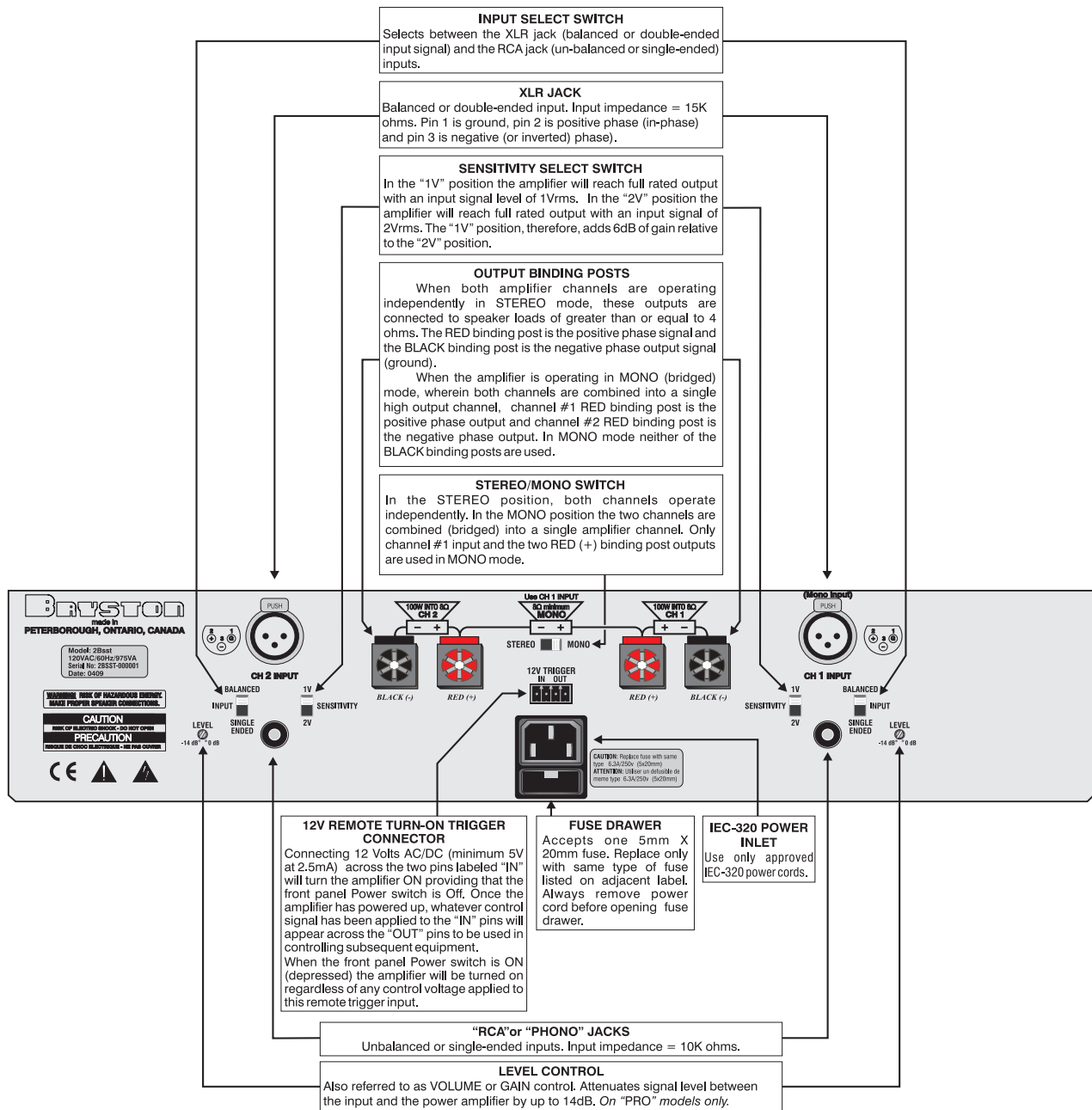
Damping Factor: Over 500 at 20 Hz, ref. 8 ohms

Power consumption: idle 30va, maximum power 600va

Heat load: idle 100 btu/hr., max power 288 btu/hr

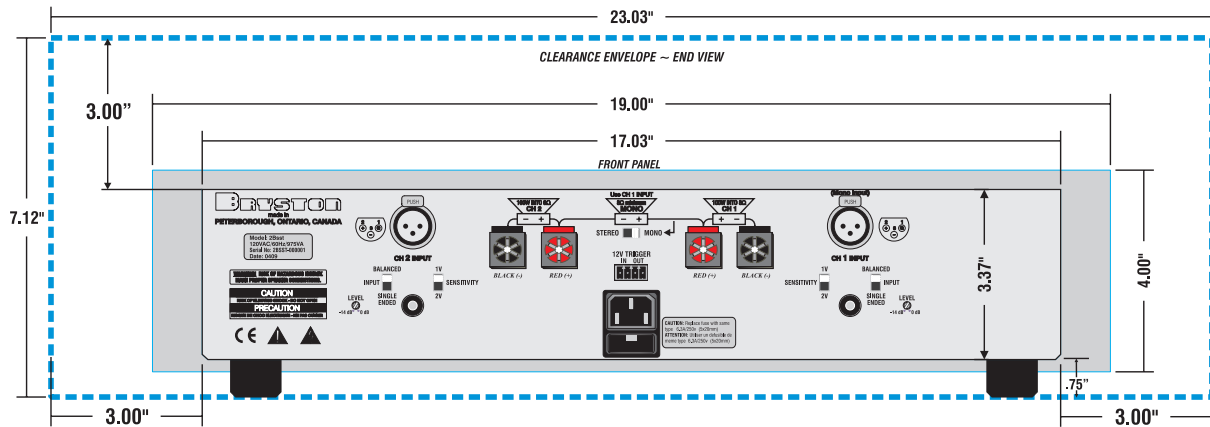
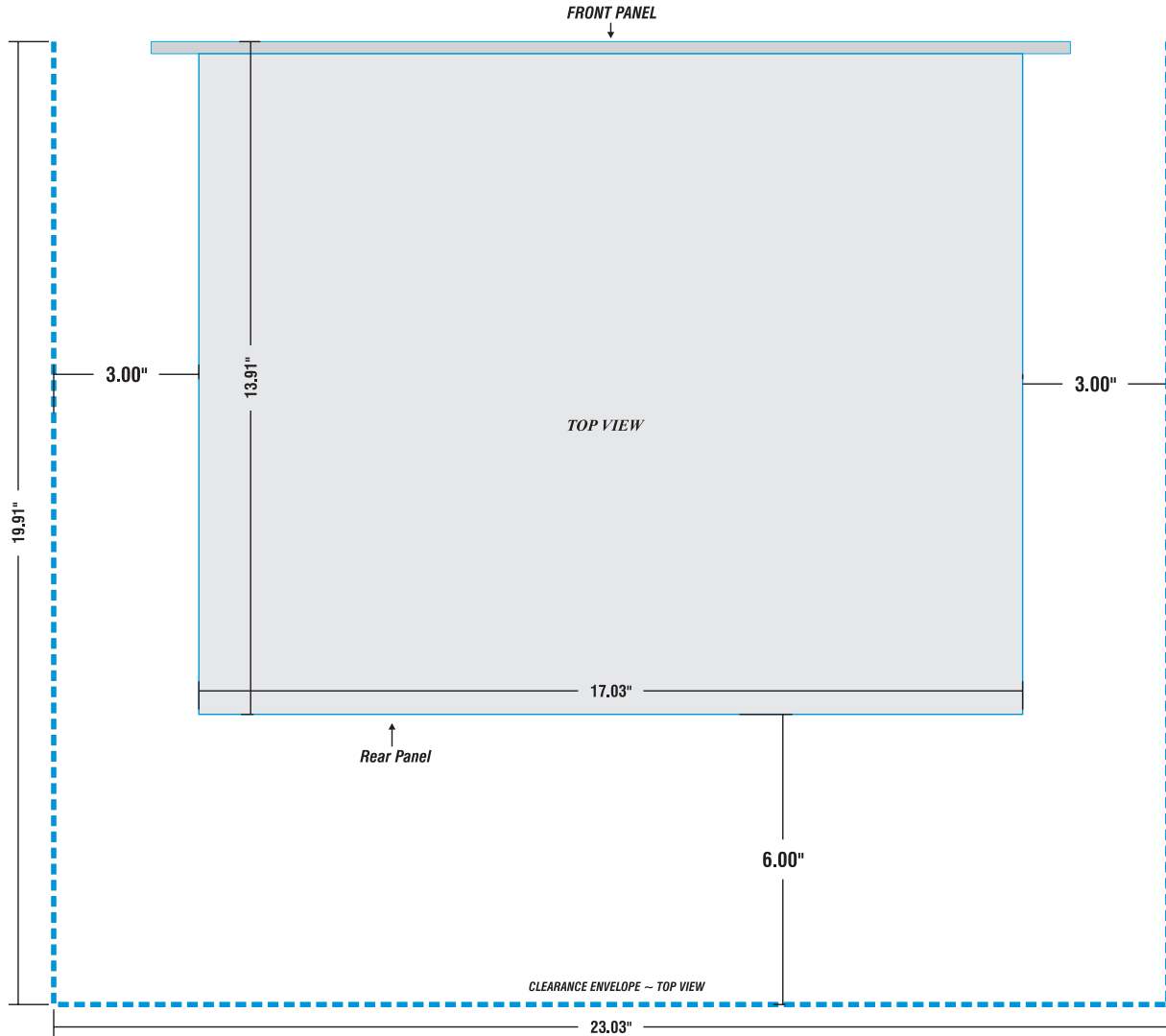
Dimensions: Regular model: Front Panel: 17.2" x 4"
Body: 16.9" wide X 3.5" high X 15.1" deep
(depth includes front panel and protrusion of rear panel connectors)
PRO model: Front Panel: 19" x 3.5" (2 rack units)
Body: 16.9" wide X 3.5" high X 15.1" deep
(depth includes front panel and protrusion of rear panel connectors)

Weight: approx. 28 lbs (12.7kg.)



2Bsst INSTALLATION

SUGGESTED MINIMAL CLEARANCE ENVELOPE





There are no user serviceable parts inside the 2Bsst. Please refer any servicing to qualified personnel.