

**Brookstone**<sup>®</sup>

---

# Wireless TV Headphones

ENJOY THE SHOW—WITHOUT  
TURNING UP THE TV VOLUME



## **TABLE OF CONTENTS**

Cautions and Warnings.....	2
Location of Controls .....	7
Installing the Batteries .....	8
Connecting.....	9
Pairing .....	10
Listening .....	11
Specifications.....	13
Troubleshooting.....	14
Warranty .....	17

## CAUTION

- TO REDUCE THE RISK OF ELECTRIC SHOCK, DO NOT REMOVE COVER. THERE ARE NO SERVICEABLE PARTS INSIDE.
- TO REDUCE THE RISK OF FIRE OR ELECTRIC SHOCK, DO NOT EXPOSE THIS UNIT TO RAIN OR MOISTURE.



The lightning flash with arrow-head symbol within an equilateral triangle is intended to alert the user to the presence of uninsulated “dangerous voltage” within the unit’s enclosure that may be of sufficient magnitude to constitute a risk of electric shock.



The exclamation point within an equilateral triangle is intended to alert the user to the presence of important operating and maintenance (servicing) instructions in the literature accompanying the unit.

## IMPORTANT SAFETY INSTRUCTIONS

All of the safety and operating instructions should be read, adhered to and followed before the unit is operated.

## SAVE THESE INSTRUCTIONS



## **DANGER**

To reduce the risk of electric shock, burns, fire or injury:

1. Do not use while bathing or in a shower.
2. Do not place or store the unit where it can fall or be pulled into a tub or sink.
3. Do not place in, drop or submerge in water or other liquid.
4. Do not reach for a unit that has fallen into water. Unplug it immediately.
5. Care should be taken so that objects do not fall and liquids are not spilled onto the unit.

## **WARNING**

1. Close supervision is necessary when this product is used by or near children or mentally disabled individuals.
2. Use this unit only for its intended use as described in this manual.
3. Unplug this unit from the USB during lightning storms or when unused for long periods of time.
4. Never drop or insert an object into any opening.
5. Protect the USB cord from being walked on or pinched, particularly at plug outlets and the point where it exits the unit.
6. Do not allow the USB cord to touch hot surfaces.  
Wrap the cord loosely around the unit when storing.

7. The unit should be situated away from direct sunlight or heat sources such as radiators, electric heaters, heat registers, stoves, or other units (including amplifiers) that produce heat. Avoid placing on top of stereo equipment that radiates heat.
8. Never block the air openings of the unit with materials such as clothing, plastic bags or papers, or place it on a soft surface such as a bed or couch, where the air openings may be blocked.
9. Do not overload any electrical outlet. Use only the power source as indicated.
10. Do not carry this unit by its USB cord or use the cord as a handle.
11. Never operate this unit if it has a damaged USB cord or port, if it is not working properly, or if it has been dropped or damaged, or dropped into water. If the unit's USB cord or plug is damaged, do not attempt to fix it yourself.
12. To avoid the risk of electric shock, do not disassemble or attempt to repair the unit. Incorrect repair can cause risk of electric shock or injury to persons when unit is used.
13. Do not operate in the presence of explosive and/or flammable fumes.
14. Never remove the USB cord from the USB port by pulling the USB cord.



## **FCC INFORMATION**

This equipment has been tested and found to comply with the limits for a Class B Digital Device, pursuant to Part 15 of the FCC Rules. These limits are designed to provide reasonable protection against harmful interference in a residential installation. This equipment generates, uses, and can radiate radio frequency energy and, if not installed and used in accordance with the instructions, may cause harmful interference to radio communications. However, there is no guarantee that interference will not occur in a particular installation.

If this equipment does cause harmful interference to radio or television reception, which can be determined by turning the equipment off and on, the user is encouraged to try to correct the interference by one or more of the following measures:

- Reorient or relocate the receiving antenna.
- Increase the distance between the equipment and receiver.
- Connect the equipment to an outlet on a circuit different from that to which the receiver is connected.
- Consult the dealer or an experienced radio/TV technician for help.

This equipment complies with part 15 of the FCC Rules. Operation is subject to the following two conditions:

1. This equipment may not cause harmful interference.
2. This equipment must accept any interference received, including interference that may cause undesired operation.

Modifications not authorized by the manufacturer may void the user's authority to operate this device.

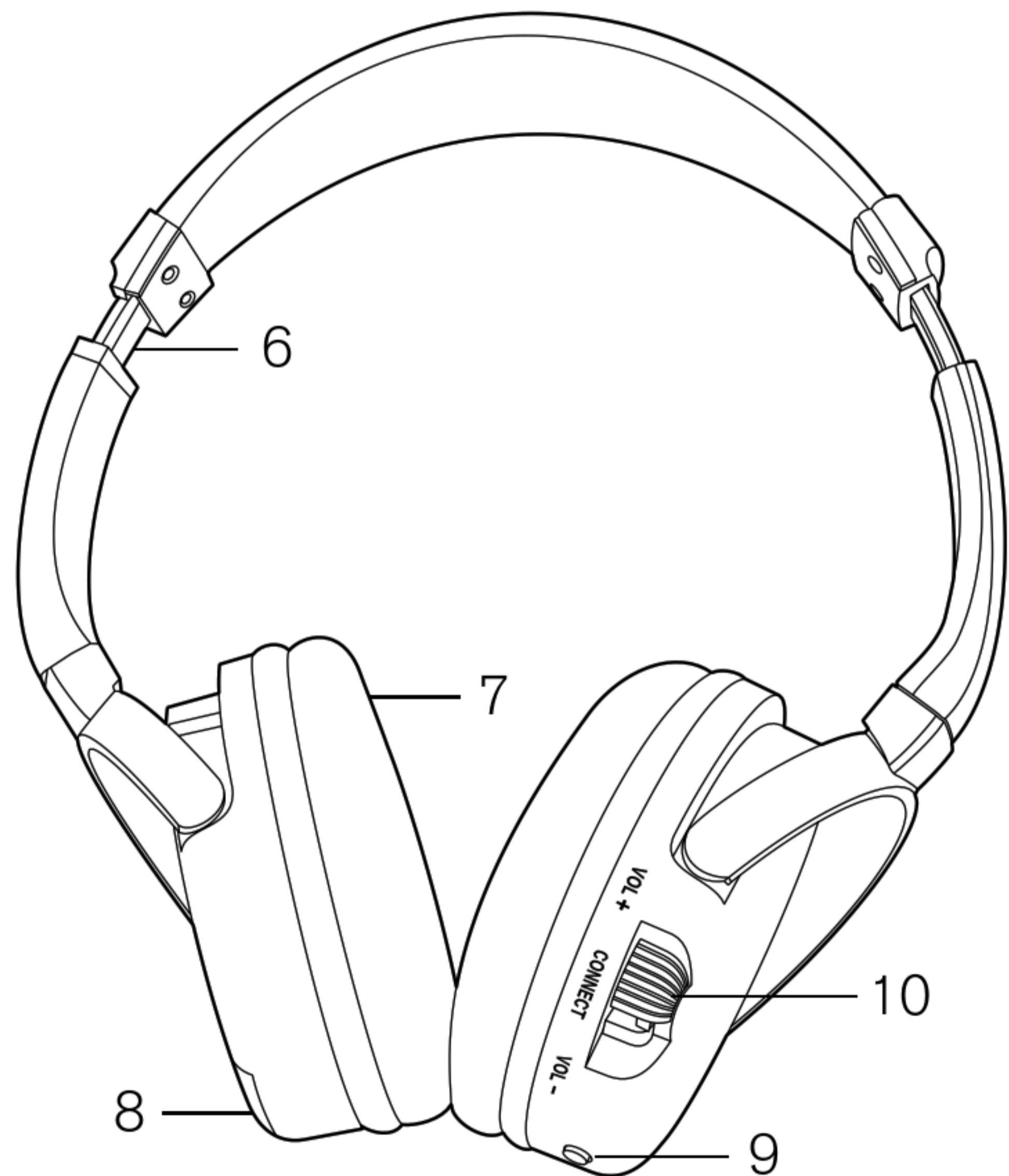
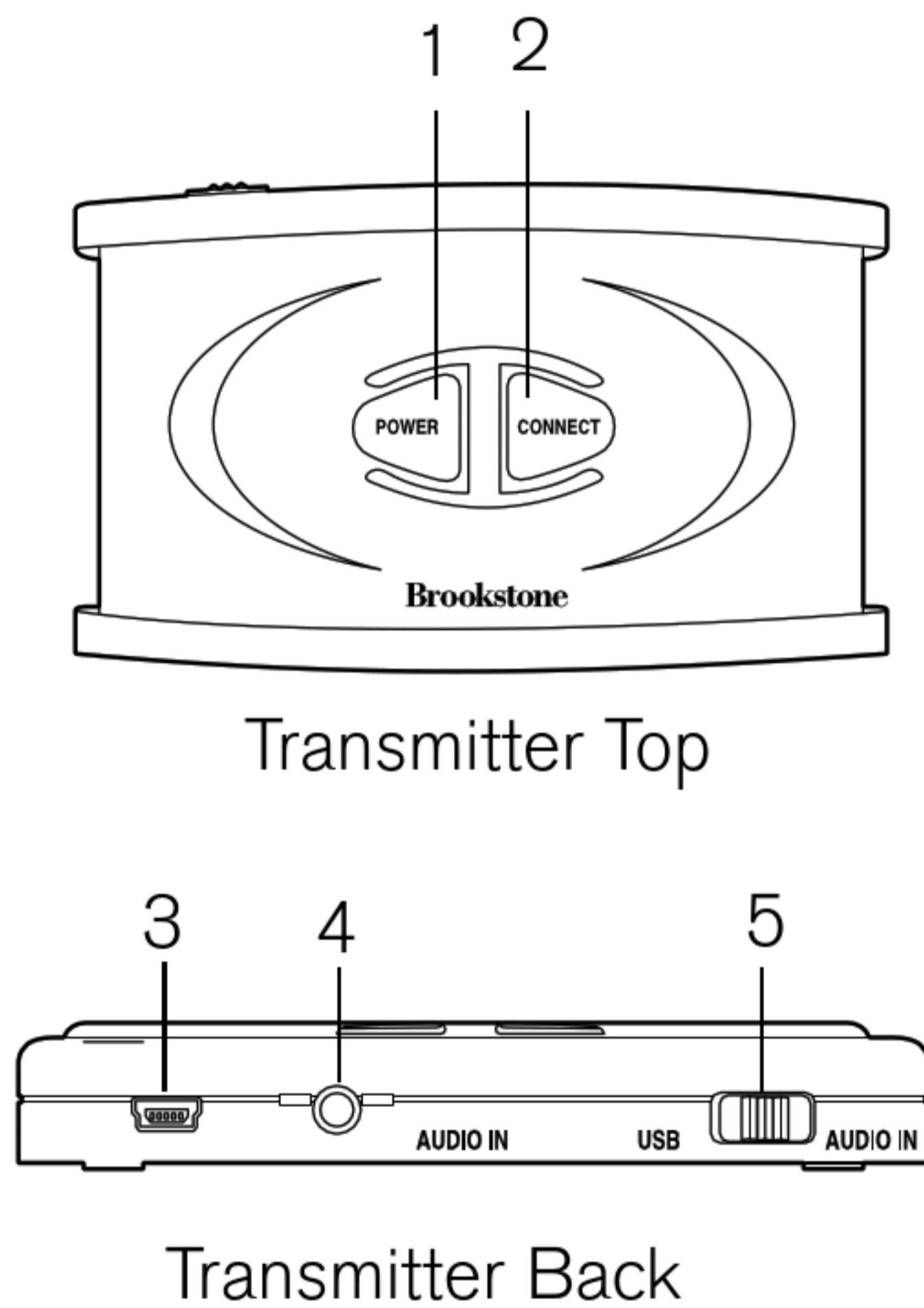
## **BATTERY PRECAUTIONS**

- Dispose of the old batteries properly. Do not dispose of the old batteries in a fire.
- Do not leave the batteries where a child or pet could play with or swallow them. If the batteries are swallowed, contact a physician immediately.
- The batteries may explode if mistreated. Do not attempt to recharge or disassemble the batteries.
- Use only fresh batteries of the required size and type. Do not mix old and new batteries, different types of batteries, or rechargeable batteries of different capacities.



## LOCATION OF CONTROLS

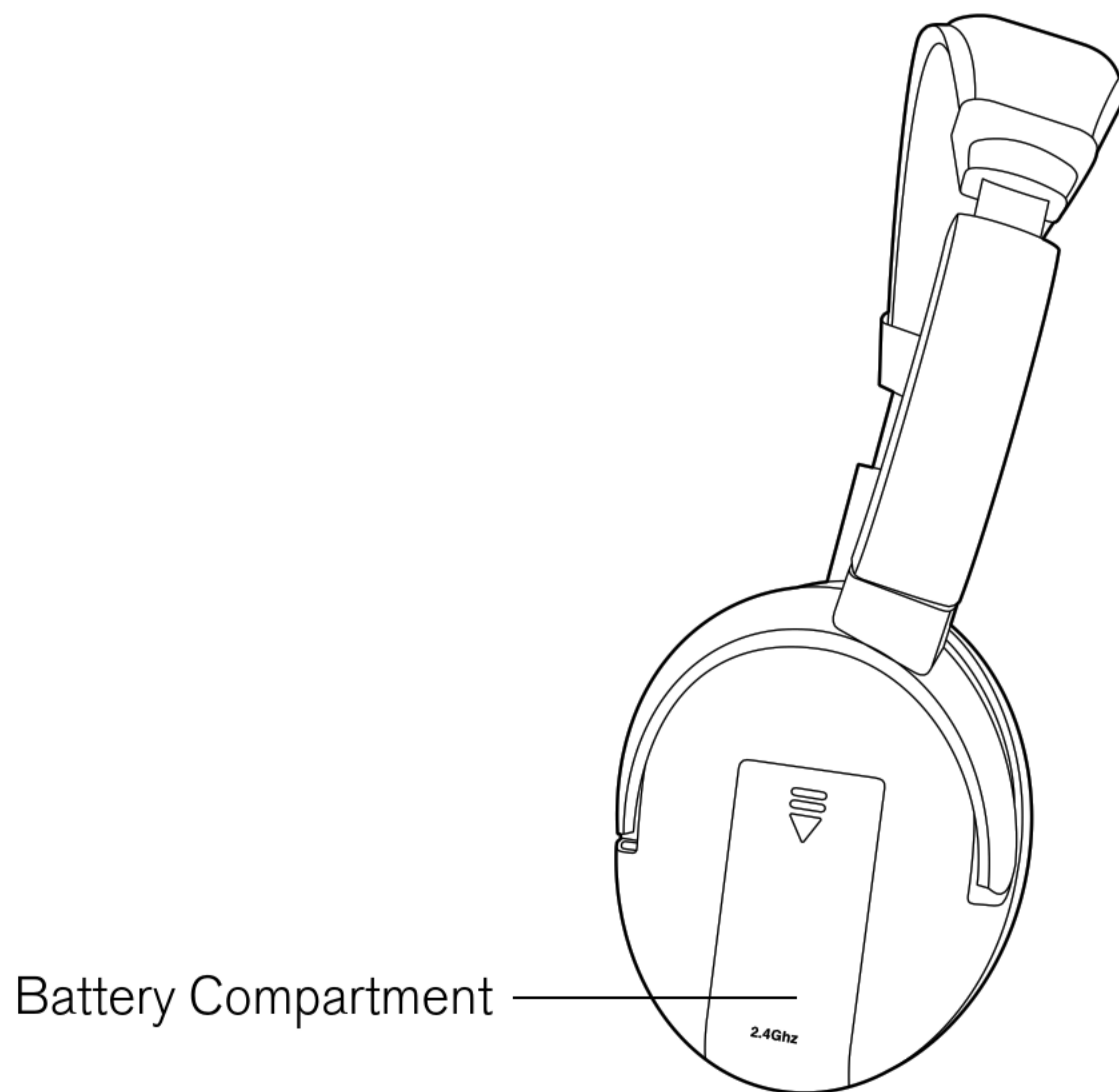
1. Transmitter Power Button
2. Transmitter Connect Button
3. Transmitter Mini USB Port
4. Transmitter Audio-In Port
5. USB/Audio-In Select Switch
6. Adjustable Headband
7. Padded Earcup (2)
8. Battery Compartment
9. Headset Power Button/LED
10. Headset Connect Button/Volume Switch
11. 3.5mm Audio/Headphone Cable (not shown)
12. USB/AC Adapter (not shown)
13. USB/mini USB Cable (not shown)
14. 3.5mm Audio-to-RCA Cable (not shown)





## INSTALLING THE BATTERIES

1. Open the BATTERY COMPARTMENT by sliding the BATTERY COMPARTMENT cover down in the direction of the arrow and removing.
2. Insert 2 AAA batteries (not included) according to the polarity indicators inside the compartment.
3. Replace the BATTERY COMPARTMENT cover, slide and snap it into place to secure.



# CONNECTING

## ELECTRICAL POWER

1. Slide the USB/AUDIO-IN SWITCH on the back of the TRANSMITTER to AUDIO IN.
2. Connect your audio source (iPod® player, CD player, TV) that will work with a universal audio output, to the TRANSMITTER with the 3.5mm AUDIO/HEADPHONE CABLE (included).
3. Connect the TRANSMITTER to the power source by plugging the USB end of the USB/mini USB CABLE into the MINI USB JACK on the TRANSMITTER. Plug the other end into the USB/AC ADAPTER.
4. Plug the USB/AC ADAPTER into a standard 110V wall outlet. The TRANSMITTER's power LED will illuminate.

## USB POWER

1. Slide the USB/AUDIO-IN SWITCH on the back of the TRANSMITTER to USB.
2. Connect the TRANSMITTER to your computer by plugging the mini USB end of the USB/mini USB CABLE into the MINI USB JACK on the TRANSMITTER and the other end into a USB port on your computer. The TRANSMITTER's power LED will illuminate.



## POWERING OFF AND ON

1. To power the transmitter off, press and hold the POWER button for 5 seconds (the power LED will go off).

**Note:** Depending upon your audio setup, you may have to unplug the cable to your TV, computer, etc. to restore normal speaker operation.

2. To power the transmitter on, press and release the POWER button.

## PAIRING

You will need to pair the HEADPHONES and the TRANSMITTER the first time you use them with an audio source.

1. Connect the TRANSMITTER to a power source. The TRANSMITTER's power LED will illuminate.
2. Push in and hold the CONNECT button on both the HEADPHONES and the TRANSMITTER. The CONNECT button LED on the TRANSMITTER will blink fast while pairing. When a beep is heard, release the buttons. The pairing is finalized when a long beep is heard.
3. Now connect the TRANSMITTER to an audio source and play an audio track. Both the CONNECT button on the TRANSMITTER and the POWER button on the HEADPHONES will illuminate solid.
4. When listening to this same audio source again, the HEADPHONES will automatically pair with the TRANSMITTER connected to that audio source.

**Note:** The TRANSMITTER will pair with only one set of HEADPHONES.



## LISTENING

### USING THE TV HEADPHONES WITH RCA/HEADPHONE JACKS

- 1a. Via RCA Jacks: Plug the 3.5mm AUDIO to RCA CABLE into the RCA audio jacks on your TV and into the AUDIO JACK on the TRANSMITTER.
- 1b. Via Headphone Jack: Plug the 3.5mm AUDIO/HEADPHONE CABLE into the audio output jack on your TV and into the AUDIO-IN jack on the TRANSMITTER.

**Note:** When using the Headphone Jack, the TV volume must be on at an audible level in order to hear sound through the HEADPHONES.

2. Plug the USB CABLE into the MINI USB PORT on the TRANSMITTER and the other end into the USB/AC ADAPTER.
3. Plug the USB/AC ADAPTER into a regular 110V wall outlet. The TRANSMITTER's power LED will illuminate.
4. Slide the USB/AUDIO-IN SELECT switch to AUDIO-IN.
5. Turn on the TV or other audio device.
6. Turn on the HEADPHONES by pressing the POWER button on the left ear cup.
7. Adjust the volume on your TV or other audio device, and on the TV Headphones with the HEADSET CONNECT BUTTON/VOLUME switch.
8. Settle the HEADPHONES comfortably on your head and adjust the length of the HEADBAND accordingly.
9. Enjoy the audio at any volume level privately, without disturbing others—even if you're in the same room!



## USING THE TV HEADPHONES WITH YOUR COMPUTER

1. Plug one end of the USB CABLE into the USB PORT on your computer.
2. Plug the other end of the USB CABLE into the MINI USB PORT on the back of the TRANSMITTER.
3. Slide the USB/AUDIO-IN SELECT switch to USB.
4. Turn on the computer and ensure the volume of the computer is turned all the way down.
5. Turn on the HEADPHONES by pushing the POWER button on the bottom of the left ear cup.
6. Adjust the volume with the CONNECT BUTTON/VOLUME switch.
7. Settle the HEADPHONES comfortably on your head, adjusting the length of the HEADBAND accordingly.
8. Enjoy the audio at any volume level privately, without disturbing others—even if you're in the same room!

## **SPECIFICATIONS**

Infrared Carrier Frequencies.....	2.4GHz
Frequency Response.....	20-20kHz
Speakers.....	30mm
S/N Ratio.....	>45dB
Distortion.....	<5%
Operation Range.....	Up to 150 Feet
Headphone Power Supply.....	2 x 1.5V AAA Battery
Transmitter Power Supply.....	Standard 110V

iPod not included. iPod is a trademark of Apple Inc., registered in the U.S. and other countries.



## TROUBLESHOOTING

PROBLEM	POSSIBLE CAUSE	SOLUTION
Not working and/or no sound.	Connections between the audio jack on the TV and the transmitter may be loose.	Check all connections.
	You may be out of range of the transmitter.	Move to within 150 feet of the transmitter.
	Batteries are low.	Replace the batteries.
	Volume is set too low to hear.	Increase the volume.
Power button blinking. No sound.	No audio signal at source.	Check that audio source is on.
	Bad cable connection.	Check all connections.
Other wireless devices stop working.	The TV Headphones are operating on the same frequency.	Change the channel or frequency on the other device.
Continuous beeping in Headphones.	Pairing not activated.	Perform pairing procedure again.

# NOTES



# NOTES

# ONE (1) YEAR LIMITED WARRANTY

Brookstone® warrants this product against defects in materials and/or workmanship under normal use for a period of ONE (1) YEAR from the date of purchase by the original purchaser (“Warranty Period”). If a defect arises and a valid claim is received within the Warranty Period, at its option, Brookstone will either 1) repair the defect at no charge, using new or refurbished replacement parts, or 2) replace the product with a new product that is at least functionally equivalent to the original product, or 3) provide a store credit in the amount of the purchase price of the original product. A replacement product or part, including a user-installable part installed in accordance with instructions provided by Brookstone, assumes the remaining warranty of the original product. When a product or part is exchanged, any replacement item becomes your property and the replaced item becomes Brookstone’s property. When a store credit is given, the original product must be returned to Brookstone and becomes Brookstone’s property.

**Obtaining Service:** To obtain warranty service, call Brookstone Limited Warranty Service at 1-800-292-9819. Please be prepared to describe the product that needs service and the nature of the problem. A purchase receipt is required. All repairs and replacements must be authorized in advance. Service options, parts availability and response times will vary. You are responsible for delivery and the cost of delivery of the product or any parts to the authorized service center for replacement, per our instructions.

**Limits and Exclusions:** Coverage under this Limited Warranty is limited to the United States of America, including the District of Columbia and the U.S. Territories of Guam, Puerto Rico, and the U.S. Virgin Islands. This Limited Warranty applies only to products manufactured for Brookstone that can be identified by the “Brookstone” trademark, trade name, or logo affixed to them or their packaging. The Limited Warranty does not apply to any non-Brookstone products. Manufacturers or suppliers other than Brookstone may provide their own warranties to the purchaser,



but Brookstone, in so far as permitted by law, provides these products “as is.” This warranty does not apply to: a) damage caused by failure to follow instructions relating to product’s use or the installation of components; b) damage caused by accident, abuse, misuse, fire, floods, earthquake or other external causes; c) damage caused by service performed by anyone who is not a representative of Brookstone; d) accessories used in conjunction with a covered product; e) a product or part that has been modified to alter functionality or capability; f) items intended to be periodically replaced by the purchaser during the normal life of the product including, without limitation, batteries or light bulbs; g) any product sold “as is” including, without limitation, floor demonstration models and refurbished items; or h) a product that is used commercially or for a commercial purpose.

**BROOKSTONE SHALL NOT BE LIABLE FOR INCIDENTAL OR CONSEQUENTIAL DAMAGES RESULTING FROM THE USE OF THIS PRODUCT, OR ARISING OUT OF ANY BREACH OF THIS WARRANTY. TO THE EXTENT PERMITTED BY APPLICABLE LAW, BROOKSTONE DISCLAIMS ANY AND ALL STATUTORY OR IMPLIED WARRANTIES, INCLUDING, WITHOUT LIMITATION, WARRANTIES OF MERCHANTABILITY, FITNESS FOR A PARTICULAR PURPOSE AND WARRANTIES AGAINST HIDDEN OR LATENT DEFECTS. IF BROOKSTONE CANNOT LAWFULLY DISCLAIM STATUTORY OR IMPLIED WARRANTIES, THEN TO THE EXTENT PERMITTED BY LAW, ALL SUCH WARRANTIES SHALL BE LIMITED IN DURATION TO THE DURATION OF THIS EXPRESS WARRANTY.**

Some states disallow the exclusion or limitation of incidental or consequential damages or how long an implied warranty lasts, so the above exclusions or limitations may not apply to you. This warranty gives you specific legal rights and you may also have other rights, which vary from state to state.

Find thousands more  
great ideas online

**Brookstone<sup>®</sup>**

683417

Merrimack, New Hampshire USA 03054 ▪ 800-846-3000 ▪ [Brookstone.com](http://Brookstone.com)