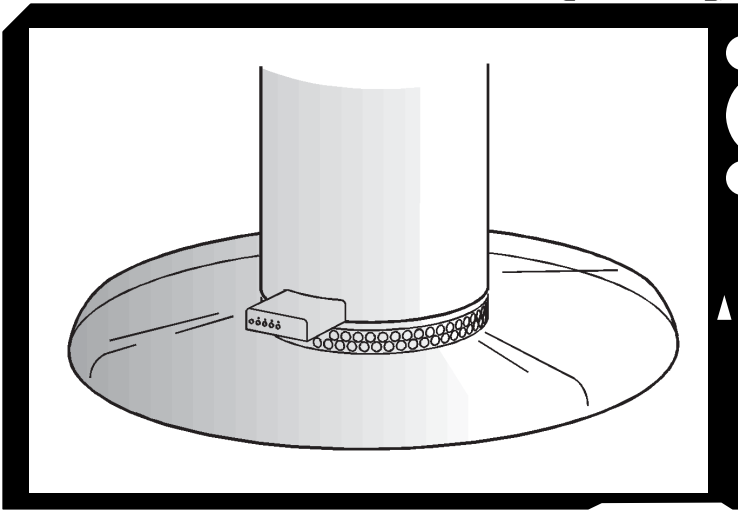


best[®]
by **BROAN**[®]



Model IS241 / BER02IS

ENGLISH.....	2
FRANÇAIS.....	12
ESPAÑOL.....	22

READ AND SAVE THESE INSTRUCTIONS

 **INTENDED FOR DOMESTIC COOKING ONLY** 

WARNING

TO REDUCE THE RISK OF FIRE, ELECTRIC SHOCK, OR INJURY TO PERSONS, OBSERVE THE FOLLOWING:

1. Use this unit only in the manner intended by the manufacturer. If you have questions, contact the manufacturer at the address or telephone number listed in the warranty.
2. Before servicing or cleaning unit, switch power off at service panel and lock service panel to prevent power from being switched on accidentally. When the service disconnecting means cannot be locked, securely fasten a prominent warning device, such as a tag, to the service panel.
3. Installation work and electrical wiring must be done by a qualified person(s) in accordance with all applicable codes and standards, including fire-rated construction codes and standards.
4. Sufficient air is needed for proper combustion and exhausting of gases through the flue (chimney) of fuel burning equipment to prevent backdrafting. Follow the heating equipment manufacturer's guidelines and safety standards such as those published by the National Fire Protection Association (NFPA), and the American Society for Heating, Refrigeration and Air Conditioning Engineers (ASHRAE), and the local code authorities.
5. When cutting or drilling into wall or ceiling, do not damage electrical wiring and other hidden utilities.
6. Ducted fans must always be vented to the outdoors.
7. Do not use this unit with any separate solid-state speed control device.
8. To reduce the risk of fire, use only metal ductwork.
9. This unit must be grounded.

TO REDUCE THE RISK OF A RANGE TOP GREASE FIRE:

- A. Never leave surface units unattended at high settings. Boilovers cause smoking and greasy spillovers that may ignite. Heat oils slowly on low or medium settings.
- B. Always turn hood ON when cooking at high heat or when flambeing food (i.e. Crepes Suzette, Cherries Jubilee, Peppercorn Beef Flambe').
- C. Clean ventilating fans frequently. Grease should not be allowed to accumulate on fan or filter.
- D. Use proper pan size. Always use cookware appropriate for the size of the surface element.

WARNING

TO REDUCE THE RISK OF INJURY TO PERSONS IN THE EVENT OF A RANGE TOP GREASE FIRE, OBSERVE THE FOLLOWING:*

1. **SMOTHER FLAMES** with a close-fitting lid, cookie sheet, or metal tray, then turn off the burner. **BE CAREFUL TO PREVENT BURNS.** If the flames do not go out immediately, **EVACUATE AND CALL THE FIRE DEPARTMENT.**
2. **NEVER PICK UP A FLAMING PAN** - You may be burned.
3. **DO NOT USE WATER**, including wet dishcloths or towels - violent steam explosion will result.
4. Use an extinguisher **ONLY** if:
 - A. You know you have a Class ABC extinguisher and you already know how to operate it.
 - B. The fire is small and contained in the area where it started.
 - C. The fire department is being called.
 - D. You can fight the fire with your back to an exit.

* Based on "Kitchen Fire Safety Tips" published by NFPA.

CAUTION

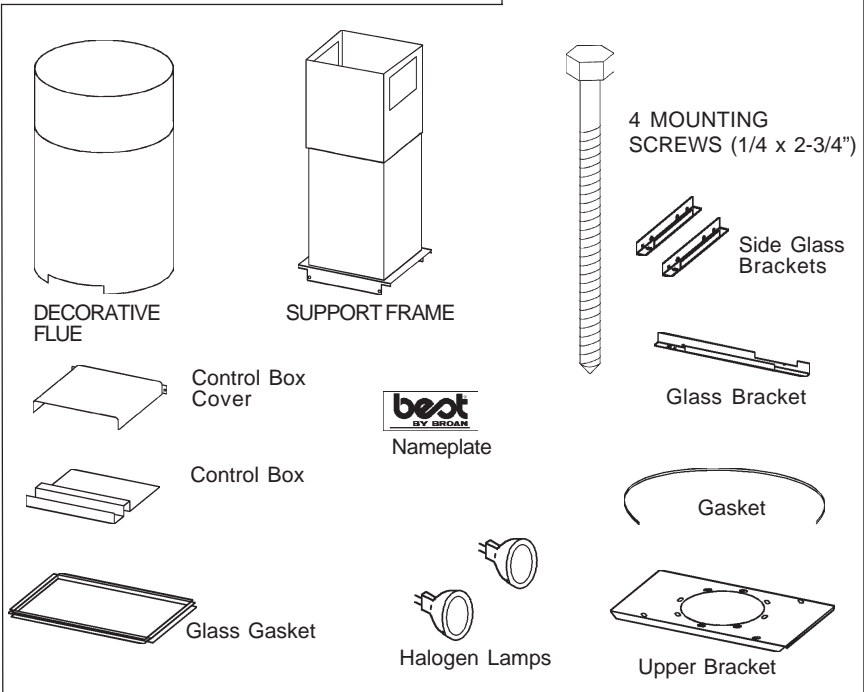
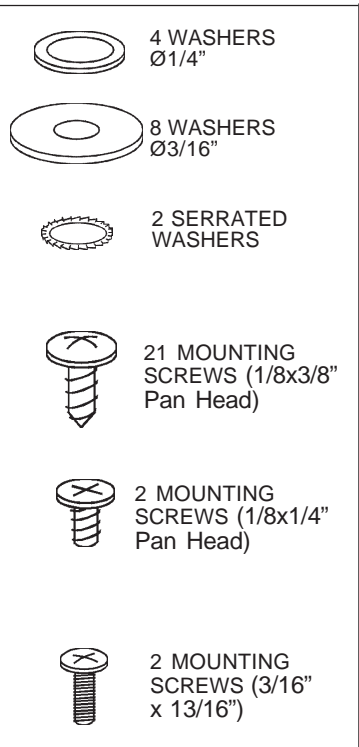
1. To reduce risk of fire and to properly exhaust air, be sure to duct air outside. Do not vent exhaust air into spaces within walls or ceilings or into attics, crawl spaces, or garages.
2. Take care when using cleaning agents or detergents.
3. Avoid using food products that produce flames under the Range Hood.
4. For general ventilating use only. Do not use to exhaust hazardous or explosive materials and vapors.
5. To avoid motor bearing damage and noisy and/or unbalanced impellers, keep drywall spray, construction dust, etc. off power unit.
6. Your hood motor has a thermal overload which will automatically shut off the motor if it becomes overheated. The motor will restart when it cools down. If the motor continues to shut off and restart, have the hood serviced.
7. For best capture of cooking impurities, the bottom of the hood should be a minimum of 24" and a maximum of 30" above the cooking surface.
8. 3 installers are recommended because of the large size and weight of this hood.
9. This product is equipped with a thermostat which may start blower automatically. To reduce the risk of injury and to prevent power from being switched on accidentally, switch power off at service panel and lock or tag service panel.
10. Use with approved cord-connection kit only.
11. Please read specification label on product for further information and requirements.

PREPARE THE HOOD

Unpack hood and check contents.

You should receive:

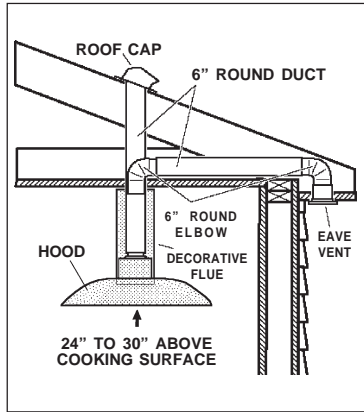
- 1 - Hood
- 1 - Decorative Flue Assembly
- 1 - Support Frame
- 1 - Parts Bag (B080810590) containing:
 - 4 - Mounting Screws (1/4 x 2-3/4")
 - 11- Mounting Screws (1/8 x 3/8" Pan Head)
 - 4 - Washer $\varnothing 1/4"$
 - 1 - Glass Gasket
 - 1 - Glass Bracket
 - 2 - Side Glass Brackets
 - 1 - Gasket
 - 2 - Halogen Lamps
- 1 - Parts Bag (B080810114) containing:
 - 1 - Upper Bracket
 - 8 - Mounting Screws (1/8 x 3/8" Pan Head)
 - 2 - Mounting Screws (3/16 x 13/16")
 - 8 - Washer $\varnothing 3/16"$
- 1 - Parts Bag (B080810320) containing:
 - 1 - Control Box
 - 1 - Nameplate
 - 1 - Control Box Cover
 - 2 - Mounting Screws (1/8 x 3/8" Pan Head)
 - 2 - Mounting Screws (1/8 x 1/4" Pan Head)
 - 2 - Serrated Washers
- 1 - Installation Instructions
- 1 - Warranty Card



INSTALL THE DUCTWORK

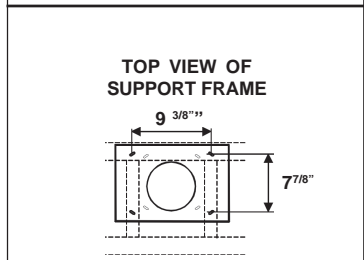
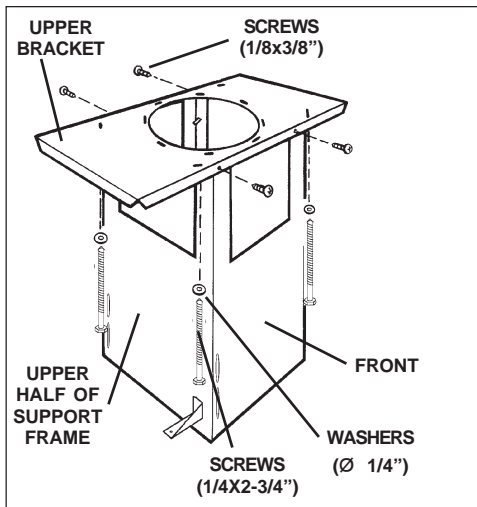
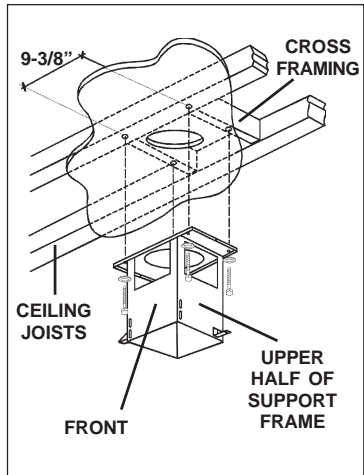
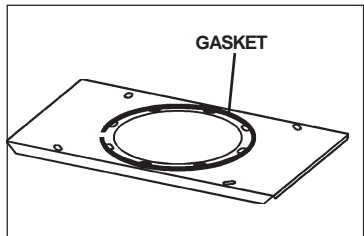
NOTE: To reduce the risk of fire, use only metal ductwork.

1. Decide where the ductwork will run between the hood and the outside.
2. A straight, short duct run will allow the hood to perform most efficiently.
3. Long duct runs, elbows, and transitions will reduce the performance of the hood. Use as few of them as possible.
4. Install a roof or wall cap. Connect 6" round metal ductwork to cap and work back towards hood location. Use duct tape to seal the joints between ductwork sections.

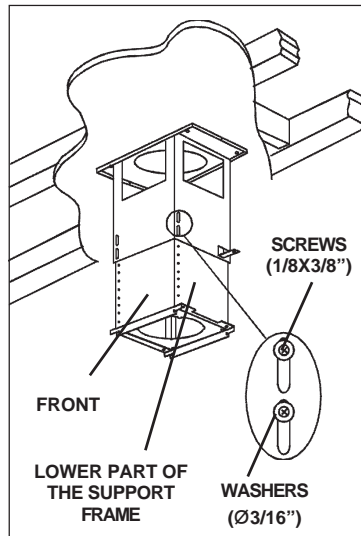


INSTALL SUPPORT SYSTEM

1. Assemble the upper half of support frame to the upper bracket and fix it by means #4 screws (1/8x3/8").
2. Fix the gasket on the ductwork hole.
3. At hood location, install 2 X 4 **cross framing** between **ceiling joists** using dimensions shown.
4. Finish the ceiling surface. Be sure to mark the location of the ceiling joists and cross framing.
5. Fix the bracket to the ceiling by means of the 4 screws (1/4x2-3/4") with 4 washers (Ø 1/4").
6. Make sure screws are driven into center of joists and framing for maximum strength.

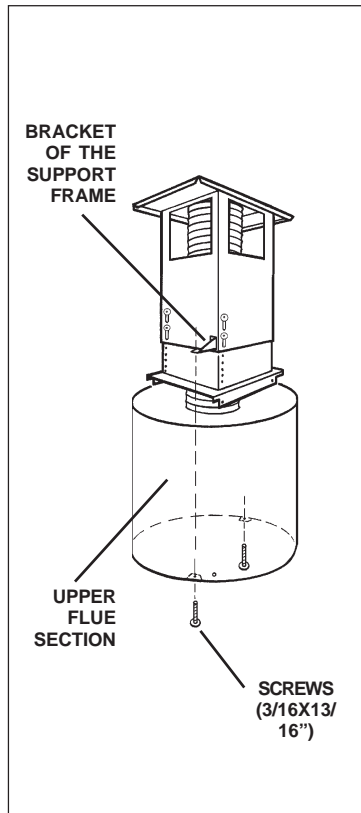
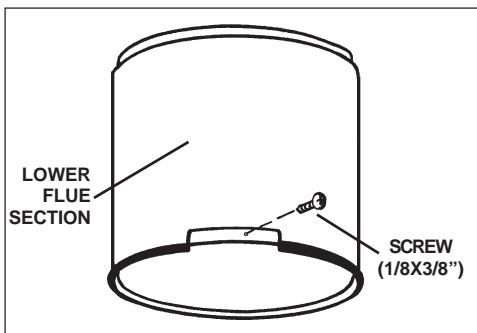


7. Separate the blower box and the lower part of the support frame. Remove the 4 screws.
8. Connect the lower part of the support frame to the part previously fixed to the ceiling with 8 screws (1/8x3/8") and 8 washers (Ø 3/16").
9. Adjust the overall height of the support frame. Loosen and re-tighten the screws in the **height adjustment slots** as necessary. Note that the hood height is 13 - 3/8" and that the bottom of the hood must be 24" min. and 30" max. above the cooktop.



CONNECT DECORATIVE FLUE

1. Separate the 2 decorative flues; **this operation should be performed with great care to avoid scratches. Place flues on the floor and lift the inner flue without tilting or deforming the shape of the flues.**
2. Secure the upper flue section to the brackets of the support frame with the 2 screws (3/16 X 13/16").
3. Insert the lower flue section pushing it upwards, and make it turn as far as the hole, which has been made in the lower flue section, is found available through its lower opening. Partly screw one screw in the hole and temporarily rest the lower flue section on this (screw 1/8x3/8"). When making such operation mind that the gasket is not damaged.



INSTALLATION OF GLASS FRAME

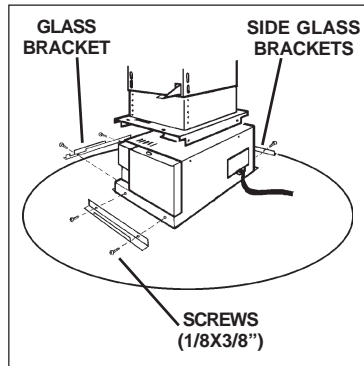
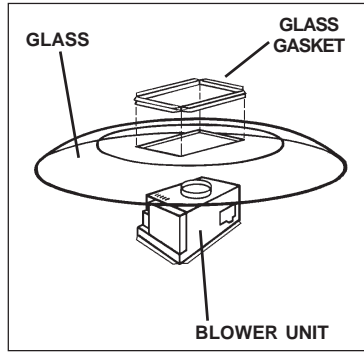
1. Insert the glass gasket along the edges of the glass.
2. Insert the glass, from the top to the bottom, over the blower unit and secure it to the blower by means of the three brackets and the six screws (1/8x3/8") which have been supplied. The brackets must be fixed on the side of the blower unit which has not got controls.

Note that the blower unit must be slightly elevated to allow the glass to fully seat on blower bracket. Place a block of packins foam under the blower unit to accomplish this.

ATTENTION: Not to break the glass, it's of much importance for the plastic gasket to cover every part of glass frame and that the glass is not directly in contact with metal.

Glass frame appliances are part of a prestigious range of hand crafted cooker hoods; due to the particular steps of processing the glass is subjected to, the glass body could present some defects and distortion.

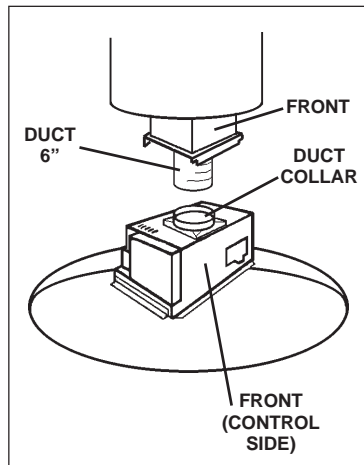
Please be very carefull not to hit the glass with any objects made of porcelain, metal, glass or anything else that is very heavy.



CONNECT DUCTWORK

Three people are required to perform the following operations.

1. Place the hood under the lower part of the support frame and connect the duct to the duct collar. Be sure the control side is orientated properly.
2. Use 6" round metal duct to connect the duct collar on the hood to the ductwork above.
3. Use duct tape to make all joints secure and air tight.

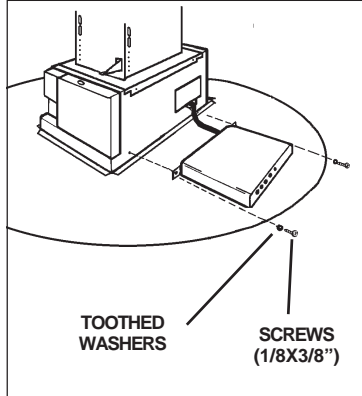
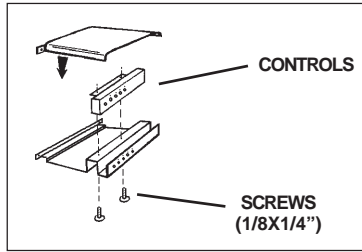
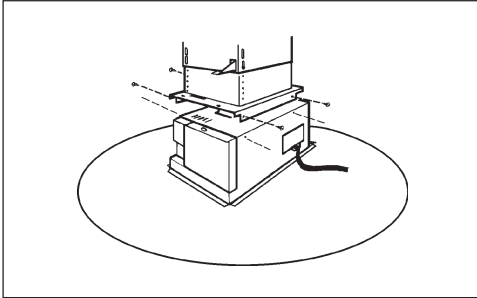


MOUNT HOOD TO SUPPORT FRAME

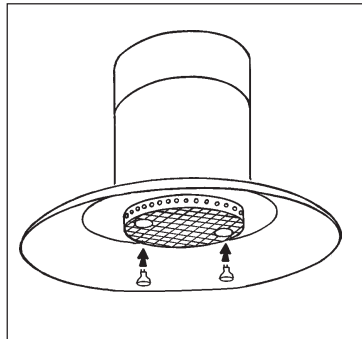
1. Fix controls to the control box inside the lower section of decorative flue by means of the 2 screws (1/8x1/4"). Put the cover on the control box.
2. Fix the control box to the blower housings by means of the 2 screws (1/8x3/8") and 2 serrated washers.

Three people are required to perform the following operations.

3. Install the hood to support frame by 4 screws (use the screws removed beforehand - 1/8" x 3/8").



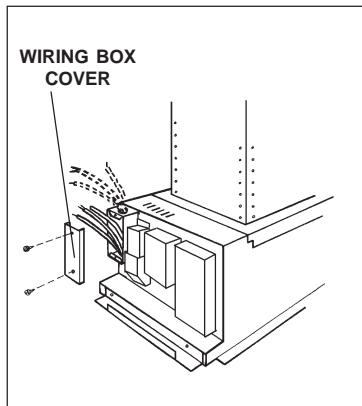
4. Install the halogen lamps and the grease filter.
5. Make electrical connections (refer to the section "WIRING").
6. Remove the temporary fixing screw of the lower flue section and lower it in place on the hood.



WIRING

Note: This range hood must be properly grounded. The unit should be installed by a qualified electrician in accordance with all applicable national and local electrical codes.

1. Remove the **wiring box cover**. Remove a knockout from the wiring box.
2. Secure the conduit to the wiring box through a conduit connector.
3. Make electrical connections. Connect white to white, black to black and green to green.
4. Replace wiring box cover and screws. Make sure that wires are not pinched between cover and box.



MAINTENANCE

Grease Filter

Clean the **grease filter** frequently. Remove the grease filter by pulling it downward. Use a warm detergent solution. Grease filters are dishwasher safe. Note: Avoid damage to bulbs by carefully aligning filter openings with bulbs.

Interior Hood Cleaning

DISCONNECT POWER TO HOOD BEFORE CLEANING!

1. Remove the grease filter as shown above.
2. Remove the light bulbs. (See "HALOGEN BULBS" on next page.)
3. Remove the **metal grille** held in place with four (4) screws.
4. Use a soft cloth and mild detergent solution to wipe interior surfaces clean.

Exterior Hood Cleaning

Stainless steel is one of the easiest materials to keep clean. Occasional care will help preserve its fine appearance.

Cleaning tips:

- Hot water with soap or detergent is all that is usually needed.
- Follow all cleaning by rinsing with clear water. Wipe dry with a clean, soft cloth to avoid water marks.
- For discolorations or deposits that persist, use a non-scratching household cleanser or stainless steel polishing powder with a little water and a soft cloth.
- For stubborn cases, use a plastic scouring pad or soft bristle brush together with cleanser and water. Rub lightly in direction of polishing lines or "grain" of the stainless finish. Avoid using too much pressure which may mar the surface.
- **DO NOT** allow deposits to remain for long periods of time.
- **DO NOT** use ordinary steel wool or steel brushes. Small bits of steel may adhere to the surface causing rust.
- **DO NOT** allow salt solutions, disinfectants, bleaches, or cleaning compounds to remain in contact with stainless steel for extended periods. Many of these compounds contain chemicals which may be harmful. Rinse with water after exposure and wipe dry with a clean cloth.

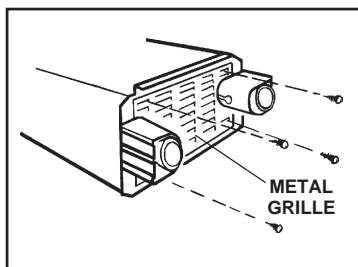
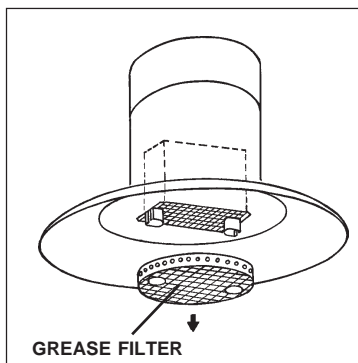
Painted surfaces should be cleaned with warm water and mild detergent only.

Glass Cleaning

Use a soft cloth and a glass cleaning solution only!

DO NOT use abrasive cloths, steel wool, or scouring pads.

DO NOT use strong cleaning solutions or abrasive powders.



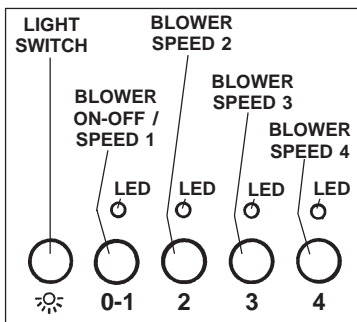
OPERATION

Controls

The hood is operated using the (5) push-buttons located at eye-level, on the front edge of the hood.

The **light switch** turns the halogen lights on and off.

The **blower on-off / speed 1** switch turns the blower on to its lowest running speed. Turn the blower off by pressing this switch a second time.



The **blower speed 2** switch turns the blower on to medium-low running speed. Pressing this switch a second time sets a timer which keeps the blower operating at this speed for 10 minutes.

The **LED** will blink during this time and the blower will shut off automatically.

The **blower speed 3 and blower speed 4** switches operate the same as blower speed 2 switch except: Blower speed 3 is medium-high and blower speed 4 is high.

At the end of each working time of 30 hours, all the leds blink at the same time; this indicates that the grease filter need to be cleaned.

Once the clean grease filters are on, push the “blower speed 2 switch” twice (or else the “blower speed 3 switch” or the “blower speed 4 switch”) during the blink of the LED, to make the count down start again.

HEAT SENTRY™

Your hood is equipped with a HEAT SENTRY™ thermostat. This thermostat is a device that will turn on or speed up the blower if it senses excessive heat above the cooking surface.

1) If blower is OFF - it turns blower ON to HIGH speed.

2) If blower is ON at a lower speed setting - it turns blower up to HIGH speed.

When the temperature level drops to normal, the blower will return to its original setting.

WARNING

The HEAT SENTRY thermostat can start the blower even if the hood is turned OFF. When this occurs, it is impossible to turn the blower OFF with its switch. If you must stop the blower, do it from the main electrical panel.

HALOGEN BULBS

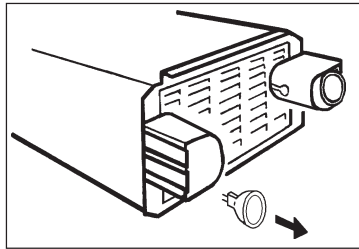
This range hood requires two halogen bulbs (Type MR16, 12V, 20W).

ALWAYS SWITCH OFF THE ELECTRICITY SUPPLY BEFORE CARRYING OUT ANY OPERATIONS ON THE APPLIANCE.

To change bulbs:

1. Remove the grease filter.
2. Remove bulbs by pulling them straight downward. Do not rotate bulbs.
3. Replace bulbs by aligning the bulb's pins with the receptacle holes and pushing bulb upward.

IN CASE THE NEW HALOGEN BULB DOES NOT LIGHT UP ONCE IT IS ON, CALL THE QUALIFIED PERSON.



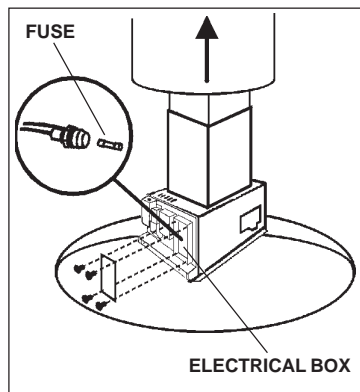
FUSE REPLACEMENT

SWITCH OFF THE ELECTRICITY SUPPLY.

Push the lower flue upwards.

Open the electrical box.

Replace with the same type of fuse (5x20mm, 4A, 125V).



WARRANTY

BROAN ONE YEAR LIMITED WARRANTY

Broan warrants to the original consumer purchaser of its products that such products will be free from defects in materials or workmanship for a period of one year from the date of original purchase. THERE ARE NO OTHER WARRANTIES, EXPRESS OR IMPLIED, INCLUDING, BUT NOT LIMITED TO, IMPLIED WARRANTIES OR MERCHANT ABILITY OR FITNESS FOR A PARTICULAR PURPOSE.

During this one-year period, Broan will, at its option, repair or replace, without charge, any product or part which is found to be defective under normal use and service.

THIS WARRANTY DOES NOT EXTEND TO FLUORESCENT LAMP STARTERS, TUBES, HALOGEN AND INCANDESCENT BULBS. This warranty does not cover (a) normal maintenance and service or (b) any products or parts which have been subject to misuse, negligence, accident, improper maintenance or repair (other than by Broan), faulty installation or installation contrary to recommended installation instructions.

The duration of any implied warranty is limited to the one-year period as specified for the express warranty. Some states do not allow limitation on how long an implied warranty lasts, so the above limitation may not apply to you.

BROAN'S OBLIGATION TO REPAIR OR REPLACE, AT BROAN'S OPTION, SHALL BE THE PURCHASER'S SOLE AND EXCLUSIVE REMEDY UNDER THIS WARRANTY. BROAN SHALL NOT BE LIABLE FOR INCIDENTAL, CONSEQUENTIAL OR SPECIAL DAMAGES ARISING OUT OF OR IN CONNECTION WITH PRODUCT USE OR PERFORMANCE. Some states do not allow the exclusion or limitation of incidental or consequential damages, so the above limitation or exclusion may not apply to you.

This warranty gives you specific legal rights, and you may also have other rights, which vary from state to state. This warranty supersedes all prior warranties.

To qualify for warranty service, you must (a) notify Broan at the address stated below or telephone: 1-800-637-1453, (b) give the model number and part identification and (c) describe the nature of any defect in the product or part. At the time of requesting warranty service, you must present evidence of the original purchase date.

BEST BY BROAN, P.O. Box 140 Hartford, Wisconsin 53027

LISEZ ET CONSERVEZ CES INSTRUCTIONS

 **SEULEMENT POUR UTILISATION DOMESTIQUE** 

AVERTISSEMENTS

POUR REDUIRE LES RISQUES D'INCENDIE, DE DECHARGES ELECTRIQUES OU DE DOMMAGES AUX PERSONNES, OBSERVEZ LES INSTRUCTIONS SUIVANTES:

1. N'utilisez cet appareil que comme cela est indiqué par le constructeur. Si vous avez des problèmes, contactez le fabricant à l'adresse ou au numéro de téléphone indiqués dans la garantie.
2. Avant de pourvoir à l'entretien ou au nettoyage de votre appareil, éteignez-le au tableau des commandes ou bloquez le tableau des commandes afin d'éviter de le mettre en marche accidentellement. Si vous ne pouvez pas bloquer le système permettant d'éteindre votre appareil, appliquez un avertissement extérieur d'une façon sûre, comme par exemple un panneau, sur le tableau des commandes.
3. L'assemblage et la connexion électrique doivent être faits par des personnes qualifiées en respectant les normes et règlements en vigueur, y compris les normes et règlements concernant les possibilités d'incendie.
4. Il est indispensable qu'il y ait suffisamment d'air pour que la combustion et l'évacuation des gaz à travers le tuyau du brûleur du combustible ait lieu sans retour de flamme. Suivez les indications données par le fabricant du brûleur ainsi que les normes de sécurité comme celles qui sont publiées par l'Association Nationale pour la Protection contre les Incendies National Fire Protection Association (NFPA) et la American Society for Heating, Refrigeration and Air Conditioning Engineers (ASHRAE), et les autorités locales en matière de normes.
5. Quand vous coupez ou percez des trous dans le mur ou le plafond, n'abîmez pas les fils électriques ou autres.
6. Le ventilateur canalisé doit toujours évacuer l'air vers l'extérieur.
7. N'utilisez pas cet appareil avec un appareil contrôlant la vitesse à état solide.
8. Afin de diminuer tout risque d'incendie n'utilisez que des conduits en métal.
9. Votre appareil doit être relié à la terre.

ATTENTION - POUR REDUIRE LES RISQUES D'INCENDIE DES MATIERES GRASSES QUI SONT EN TRAIN DE CUIRE:

- A. Ne laissez jamais ni vos éléments chauffants, ni vos casseroles ou poêles sur le feu sans les contrôler si vous réglez l'apport de chaleur sur une position élevée. Si vos casseroles ou poêles débordent cela provoque de la vapeur et des éclaboussures de graisse qui peuvent prendre feu. Chauffez les huiles lentement à feu bas ou moyen.
- B. Faites toujours fonctionner votre hotte quand vous cuisez à des températures élevées ou quand vous cuisinez des plats flambés. (par ex. crêpes Suzette, Cerises "Jubilé", Steak au poivre flambé).
- C. Nettoyez régulièrement les ailes de vos ventilateurs. Ne permettez pas que la graisse s'accumule sur le ventilateur ou sur le filtre.
- D. Utilisez des casseroles de taille appropriée. Utilisez toujours des ustensiles de cuisson dont la taille est appropriée à la surface de votre élément de cuisson.

AVERTISSEMENTS

POUR REDUIRE LES RISQUES DE DOMMAGES AUX PERSONNES AU CAS OÙ VOTRE CUISINIÈRE PRENDRAIT FEU, OBSERVEZ LES INSTRUCTIONS SUIVANTES:*

1. **ETEINDRE LES FLAMMES** à l'aide d'un couvercle le plus hermétique possible, une plaque à gâteaux, ou un plateau en métal, puis éteindre le brûleur. **ATTENTION à NE PAS VOUS BRÛLER.** Si les flammes ne s'éteignent pas immédiatement, **SORTEZ ET APPELEZ LES POMPIERS.**
2. **NE PRENEZ JAMAIS EN MAIN UNE POÊLE OU UNE CASSEROLE QUI A PRIS FEU** - Vous pourriez vous brûler.
3. **N'UTILISEZ PAS D'EAU,** ni torchons ou serviettes mouillés - vous provoqueriez une violente explosion de vapeur.

4. Utilisez un extincteur SEULEMENT si:
 - A. Vous savez que vous avez un extincteur Classe ABC, et vous en connaissez déjà le mode d'emploi.
 - B. Ce n'est pas un très gros incendie et qu'il se limite à l'endroit où il a explosé.
 - C. Vous êtes en train d'avertir les pompiers.
 - D. Vous avez la possibilité d'essayer d'éteindre l'incendie en ayant le dos tourné vers une issue.

* D'après les "Suggestions concernant la Sécurité contre les incendies des cuisines" publiées par NFPA.

ATTENTION


1. Pour réduire tout risque d'incendie et pour évacuer correctement l'air, assurez-vous de prévoir un conduit de ventilation extérieur. Ne videz pas l'air dans les espaces limités par des murs ou des plafonds, les combles, les passages étroits ou les garages.
2. Faites très attention quand vous utilisez des produits de nettoyage ou des détergents.
3. Évitez d'utiliser des aliments pouvant s'enflammer sous la Range Hood.
4. N'utilisez cet appareil que pour une ventilation générale. Ne l'utilisez pas pour évacuer des matières ou des vapeurs dangereuses ou qui peuvent exploser.
5. Pour éviter de causer des dommages au moteur et de rendre les rotors bruyants et/ou non équilibrés, évitez que les sprays pour murs secs, la poussière de construction entrent en contact avec la partie électrique.
6. Le moteur de votre hotte a un thermostat qui éteindra automatiquement le moteur s'il est surchauffé. Le moteur se remettra en marche lorsqu'il se sera refroidi. Si le moteur continue à s'éteindre et à se remettre en marche, faites vérifier votre hotte.
7. Pour mieux capturer les impuretés de cuisine, le bas de votre hotte devrait être à une distance minimum de 24" et à une distance maximum de 30" au-dessus du plan de cuisson.
8. Vu que cette hotte est grande et lourde, il est recommandé de confier l'installation de cette hotte à 3 personnes.
9. Ce produit est doté d'un thermostat qui active automatiquement le moteur. Pour réduire le risque de dommages et éviter l'activation accidentelle, positionner l'interrupteur du panneau de service sur la position OFF et bloquer le panneau de service ou mettre un avertissement externe, par exemple une plaquette.
10. Utiliser uniquement avec un kit de connexion pour alimentation homologué.
11. Nous vous recommandons de lire l'étiquette indiquant les caractéristiques de votre hotte pour de plus amples informations et exigences.


PREPAREZ LA HOTTE

Enlever la hotte dans l'emballage et contrôler le contenu.


Vous devez recevoir :


- 1 - Hotte
- 1 - Conduit décoratif
- 1 - Structure de support
- 1 - Sachet (B080810590) avec:
 - 4 - Vis d'assemblage 1/4 x 2-3/4" (6 x 70mm)
 - 11 - Vis d'assemblage 1/8 x 3/8" (3.9 x 9.5mm) Tête ronde
 - 4 - Rondelles ø1/4" (ø 6.4mm)
 - 1 - Garniture verre
 - 1 - Etrier verre
 - 2 - Etriers laterales verre
 - 1 - Garniture plastique
 - 2 - Ampoules halogènes
- 1 - Sachet (B080810114) avec:
 - 1 - Plaque supérieure
 - 8 - Vis d'assemblage 1/8 x 3/8" (3.9 x 9.5mm) Tête ronde
 - 2 - Vis d'assemblage 3/16 x 13/16" (M4 x 20mm)
 - 8 - Rondelles ø3/16" (ø 4.5mm)
- 1 - Sachet (B080810320) avec:
 - 1 - Boîte commandes
 - 1 - Plaque logo
 - 1 - Couvercle commandes
 - 2 - Vis d'assemblage 1/8 x 3/8" (3.9 x 9.5mm) Tête ronde
 - 2 - Vis d'assemblage 1/8 x 1/4" (3.9 x 6mm) Tête ronde
 - 2 - Rondelles dentées
- 1 - Instructions pour l'installation
- 1 - Garantie


 4 RONDELLES
Ø1/4" (Ø6.4mm)

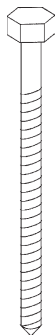
 8 RONDELLES
Ø3/16"
(Ø4.5mm)

 2 RONDELLES
DENTEES

 21 VIS
D'ASSEMBLAGE
1/8x3/8"
(3.9x9.5mm)
Tête ronde

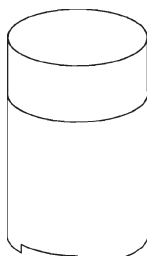
 2 VIS
D'ASSEMBLAGE
1/8x1/4"
(3.9x6mm) Tête
ronde

 2 VIS
D'ASSEMBLAGE
3/16" x 13/16"
(M4 x 20mm)

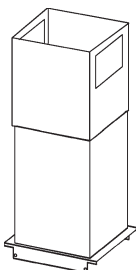
 4 VIS D'ASSEMBLAGE
1/4 x 2-3/4" (6x70mm)

 Etriers
Laterales
Verre

 Etrier Verre



CONDUIT
DECORATIF



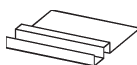
STRUCTURE DE
SUPPORT



Couvercle
Commades



Plaquette
Logo



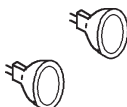
Boîte
Commades



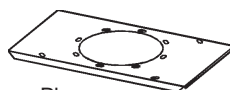
Garniture
Plastique



Garniture Verre



Ampoules
halogènes

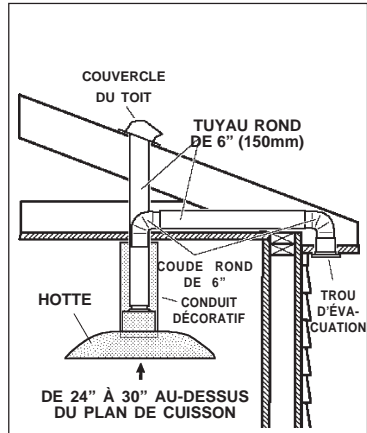


Plaque
supérieure

INSTALLATION DU SYSTEME D'EVACUATION

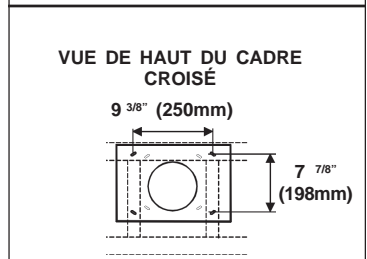
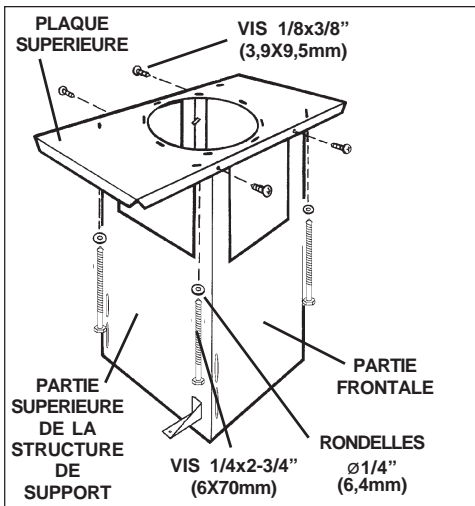
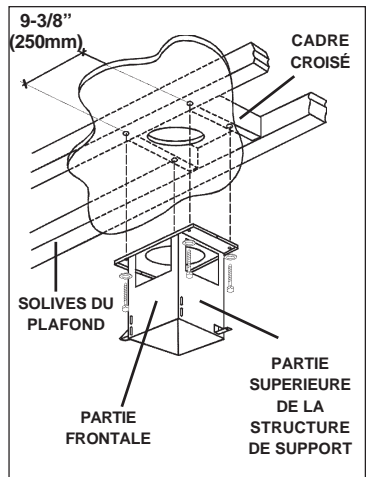
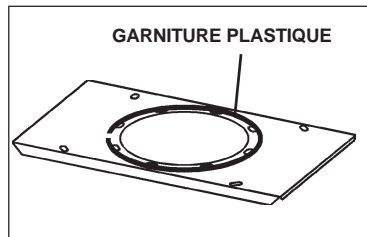
REMARQUE: Pour réduire les risques d'incendie, n'utilisez que des tuyaux en métal.

1. Décidez où le tuyau doit être installé, entre votre hotte et l'extérieur.
2. Un tuyau droit et court permettra à votre hotte de fonctionner d'une façon plus efficace.
3. Un tuyau long avec des coudes et des transitions réduira le bon fonctionnement de votre hotte. En utiliser le moins possible.
4. Installez un couvercle sur le toit ou au mur. Reliez un tuyau en métal rond de 6" (150mm) au couvercle et faites-le aller jusqu'à l'emplacement de votre hotte. Rendez les jonctions du tuyau hermétiques au moyen d'un ruban pour tuyaux.



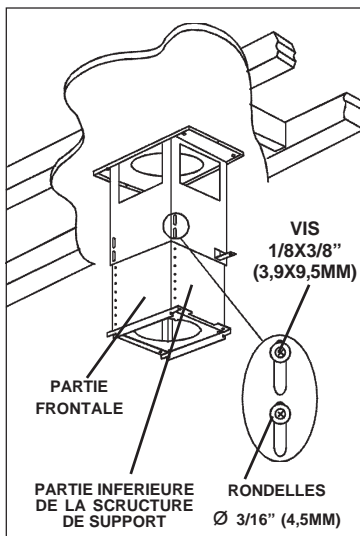
INSTALLATION DE LA STRUCTURE DE SUPPORT

1. Assembler la partie supérieure de la structure de support à la plaque supérieure et fixez-la au moyen des 4 vis 1/8x3/8" (3,9x9,5mm).
2. Fixer la garniture en plastique à la plaque supérieure.
3. Installez, à l'emplacement de votre hotte, un cadre croisé de 2 x 4 entre les solives du plafond qui vous sont indiquées.
4. Perfectionnez la surface du plafond.



Assurez-vous de bien marquer l'emplacement des solives et du cadre croisé au plafond.

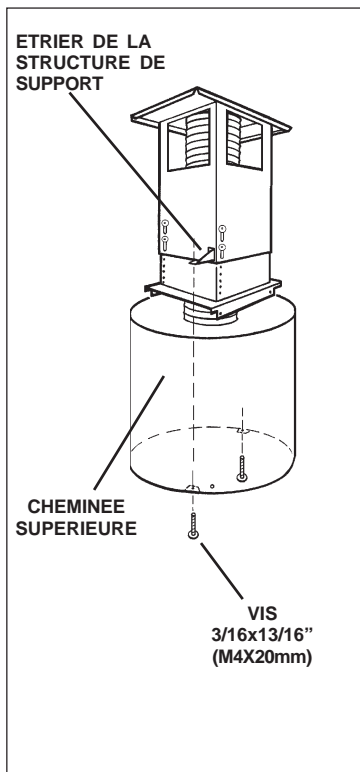
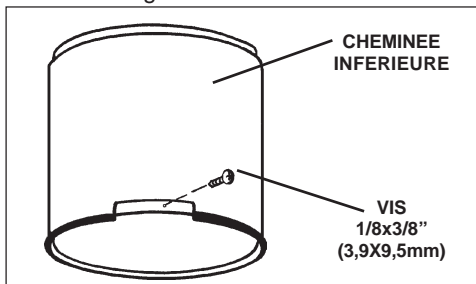
- Fixer la plaque au plafond au moyen des 4 vis 1/4x2-3/4" (6x70mm) avec 4 rondelles \varnothing 1/4" (6,4mm).
- Assurez-vous que les vis soient bien centrées dans les solives et dans le cadre croisé de sorte que le tout soit bien solide.
- Séparer le groupe moteur et la partie inférieure de la structure de support. Enlever les 4 vis.
- Assemblez la partie inférieure de la structure de support à la partie qui a été fixée précédemment au plafond au moyen de 8 vis 1/8x3/8" (3,9x9,5mm) et de 8 rondelles \varnothing 3/16" (4,5mm).
- Réglez la hauteur totale de la structure de support. Desserrez et resserrez les vis dans les **fissures permettant de régler la hauteur** selon ce qui est nécessaire. Considérez que la hauteur de votre hotte est de 13 - 3/8" et que le bas de votre hotte doit être à entre 24" et 30" au maximum au-dessus du plan de cuisson.



INSTALLATION DE LA CHEMINÉE TELESCOPIQUE

- Séparer les 2 tuyaux décoratifs; **cette opération doit être réalisée en faisant particulièrement attention pour éviter des rayures. Positionner les tuyaux au sol et soulever le tuyau interne en veillant à ne pas les plier ni à les déformer.**
- Fixer la cheminée supérieure aux étriers de la structure de support à l'aide des 2 vis 3/16x13/16" (M4x20mm).
- Insérez la cheminée inférieure en la poussant vers le haut. Faites-le tourner jusqu'à ce que le trou, qui a été fait dans la cheminée inférieure, soit disponible à travers son ouverture inférieure.

Serrez partiellement une vis 1/8x3/8" (3,9x9,5mm) dans le trou et appuyez provisoirement la cheminée inférieure à celle-ci. En faisant ceci, faites attention à ne pas abîmer la garniture.



MONTAGE DE L'ELEMENT DECORATIF EN VERRE

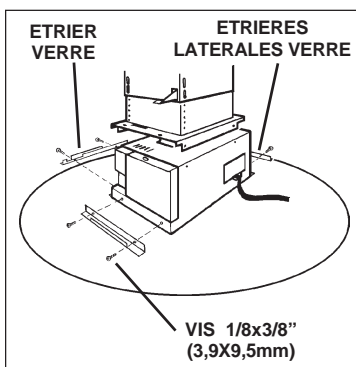
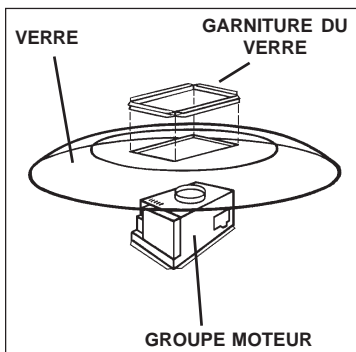
1. Insérez la garniture du verre le long des bords du verre.
2. Insérez le verre, du haut en bas, dans le groupe moteur et fixez-le à celui-ci au moyen des 3 étriers et des 6 vis en dotation 1/8x3/8" (3,9x9,5mm). Les étriers doivent être fixés sur les côtés du groupe moteur où il n'y a pas les commandes.

Veiller à ce que le groupe moteur soit légèrement rehaussé de telle sorte que le verre puisse être parfaitement placé à hauteur des brides de fixation de l'unité. Placer un bloc de matériau expansé sous l'unité aspirante pour compléter l'installation.

ATTENTION: Il est important que le joint en plastique soit bien mis en place, et que le bord du verre n'entre pas en contact direct avec le métal, car il risquerait de se casser.

Les hottes dotées d'un élément décoratif en verre font partie d'une gamme d'articles "haut de gamme" fabriqués artisanalement; l'élément en verre peut présenter quelques petits défauts de déformation, liés aux traitements auxquels il a dû être soumis.

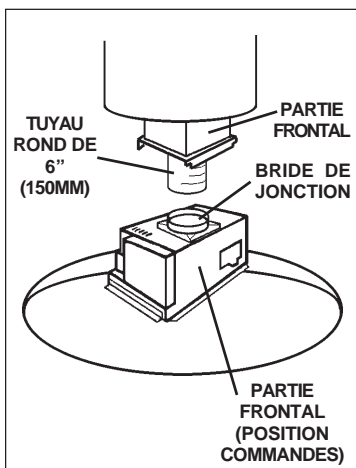
Faites très attention à ne pas heurter brusquement la partie en verre avec des objets en porcelaine, métal, verre ou autres objets lourds au risque de le casse.



CONNEXION DU SYSTEME D'EVACUATION

Il faut 3 personnes pour effectuer les opérations suivantes.

1. Approcher maintenant la hotte à la partie inférieure de la structure de support et raccorder le tuyau d'évacuation de l'air à la bride de jonction. S'assurer que le côté de commandes est correctement orienté.
2. Reliez la bride de jonction au système d'évacuation qui se trouve au-dessus au moyen d'un **tuyau rond en métal de 6" (150mm)**.
3. Utilisez du ruban pour tuyauterie afin de rendre toutes les jonctions sûres et étanches.

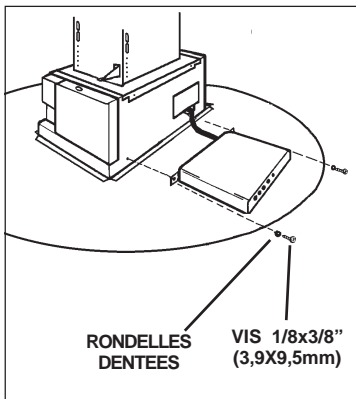
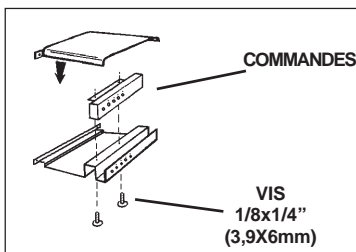
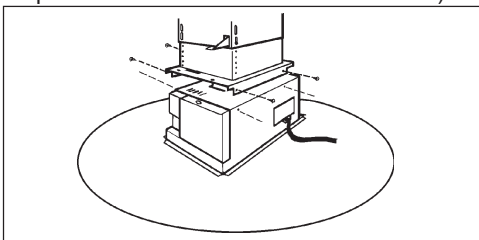


ASSEMBLAGE DE VOTRE HOTTE A LA STRUCTURE DE SUPPORT

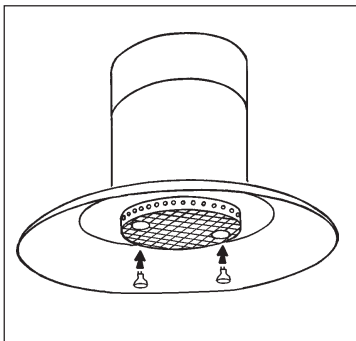
1. Fixer les commandes à l'équerre qui se trouve à l'intérieur de la cheminée inférieure au moyen des 2 vis 1/8x1/4" (3,9x6mm). Appuyez le couvercle sur la boîte des commandes.
2. Fixez la boîte des commandes au support au moyen des 2 vis 1/8x3/8" (3,9x9,5mm) et des 2 rondelles dentées.

Il faut 3 personnes pour effectuer les opérations suivantes.

3. Fixer la hotte à la structure, à l'aide des 4 vis fournis (utiliser les vis déposées préalablement - 1/8"x3/8" - 3.9x9.5mm).



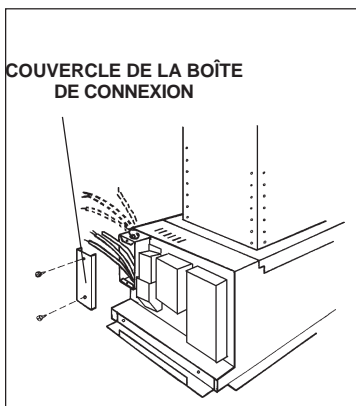
4. Monter les lampes halogènes et le filtre à graisse.
5. Effectuez le raccordement électrique (référez-vous au chapitre "INSTALLATION ELECTRIQUE").
6. Eliminer la vis de fixation provisoire de la cheminée inférieure et placez celle-ci définitivement en l'appuyant à la hotte.



INSTALLATION ELECTRIQUE

Remarque: Ce modèle de hotte doit être relié à la terre correctement. Cet article devrait être installé par un électricien qualifié selon les lois nationales et locales en matière d'électricité.

1. Enlevez le couvercle de la **boîte de connexion électrique**. Ouvrez un trou de la boîte de connexion électrique.
2. Fixer le "conduit" au boîtier de connexion à l'aide d'un connecteur approprié pour ce "conduit".
3. Faites le raccordement électrique. Reliez le blanc au blanc, le noir au noir et le vert au vert.
4. Remettez le couvercle de la boîte de connexion et les vis. Assurez-vous que les fils ne sont pas coincés entre le couvercle et la boîte.



ENTRETIEN

Grille anti-graisse

Nettoyez la **grille anti-graisse** fréquemment. Enlevez la grille anti-graisse en la tirant vers le bas.

Utilisez une solution détergente tiède. La grille anti-graisse peut être lavée au lave-vaisselle. Remarque: Evitez d'abîmer les ampoules en alignant soigneusement les ouvertures de la grille avec les ampoules.

Nettoyage de l'intérieur de votre hotte

DEBRANCHEZ VOTRE HOTTE AVANT DE LA NETTOYER!

1. Enlevez la grille anti-graisse comme cela est indiqué plus haut.
2. Enlevez les ampoules. (Voir "AMPOULES HALOGENES" à la page suivante).
3. Enlevez la **grille en métal** en dévissant les quatre (4) vis qui la fixent.
4. Lavez l'intérieur de votre hotte au moyen d'un chiffon doux imprégné d'une solution contenant un détergent neutre.

Nettoyage de l'extérieur de votre hotte

L'acier inoxydable est une des matières les plus faciles à nettoyer. Un entretien de temps en temps permettra de le conserver en parfait état. Conseils pour le nettoyage:

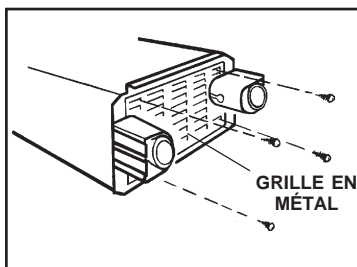
- Eau chaude et savon ou détergent est tout ce qui est normalement nécessaire.
- Après chaque nettoyage, rincez bien à l'eau claire. Essuyez avec un chiffon propre et doux afin d'éviter les taches d'eau.
- Si des décolorations ou des dépôts persistent, utilisez un nettoyant domestique non abrasif ou de la poudre pour l'acier inoxydable et un peu d'eau et un chiffon doux.
- Dans les cas difficiles, utilisez une éponge en plastique ou une brosse douce avec du nettoyant et de l'eau. Frottez légèrement en suivant la direction du polissage ou du "grain" de l'acier inoxydable. Evitez de frotter trop fort afin de ne pas abîmer la surface.
- **NE LAISSEZ PAS** les taches trop longtemps.
- **N'UTILISEZ PAS** de laines d'acier ordinaires ou des brosses en acier. Des débris d'acier pourraient adhérer à la surface et causer de la rouille.
- **NE PERMETTEZ PAS** que des solutions salées, des désinfectants, des blanchissants ou des produits nettoyants restent en contact avec l'acier pendant longtemps. Beaucoup de ces produits contiennent des produits chimiques qui pourraient causer des dommages. Rincez à l'eau immédiatement s'ils entrent en contact et essuyez avec un chiffon humide.

Les surfaces peintes doivent être nettoyées avec de l'eau tiède additionnée d'un détergent doux seulement.

Nettoyage du verre

Utilisez seulement un chiffon doux et un produit nettoyant pour le verre!

N'UTILISEZ PAS d'éponges abrasives, de laine d'acier ou de produits dégraissants
N'UTILISEZ PAS de solutions nettoyantes fortes ni de poudres abrasives.



FONCTIONNEMENT

Commandes

Votre hotte fonctionne grâce aux (5) boutons sur lesquels vous devez appuyer et qui se trouvent à la hauteur de vos yeux, sur le devant de votre hotte.

Le **bouton de la lumière** allume et éteint les lampes halogènes.

Le **bouton ON/OFF vitesse 1** du ventilateur fait fonctionner le ventilateur à la vitesse la plus basse. Vous éteignez le ventilateur en appuyant sur le bouton une deuxième fois.

Le **bouton deuxième vitesse** fait fonctionner le ventilateur à une vitesse moyennement basse. En appuyant une deuxième fois sur ce bouton vous faites fonctionner un timer qui fera fonctionner le ventilateur à cette vitesse pendant 10 minutes. Le voyant lumineux clignotera pendant tout ce temps et le ventilateur s'arrêtera automatiquement.

Les **boutons du ventilateur 3ème et 4ème vitesse** font fonctionner ce dernier comme le bouton deuxième vitesse avec la différence que le bouton 3ème vitesse est une vitesse moyennement élevée et le bouton 4ème vitesse est une vitesse élevée.

Au bout d'environ 30 heures de fonctionnement, tous les voyants lumineux se mettent à clignoter en même temps; cela indique que la grille métallique doit être nettoyée. Après avoir remonté la grille propres, appuyer 2 fois sur le "bouton deuxième vitesse" (ou également sur les boutons du ventilateur 3ème et 4ème vitesse) au même temps les voyants lumineux clignotent, afin de remettre le comptage en marche.

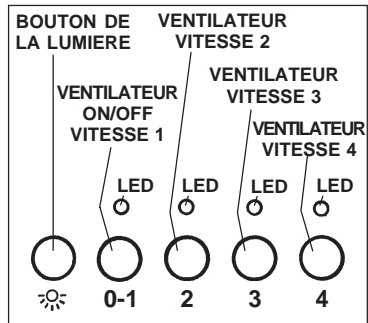
HEAT SENTRY^{MC}

Votre hotte est munie d'un thermostat HEAT SENTRY^{MC}. Ce thermostat est un dispositif qui actionnera ou augmentera la vitesse du ventilateur s'il détecte une chaleur excessive au-dessus de la surface de cuisson.

- 1) Si le ventilateur n'est pas en marche - il actionnera le ventilateur en haute vitesse.
 - 2) Si le ventilateur fonctionne en basse vitesse - le ventilateur tournera en haute vitesse.
- Lorsque la température revient à la normale, le ventilateur retourne à sa vitesse d'origine.

AVERTISSEMENT

Le thermostat HEAT SENTRY^{MC} peu actionner la hotte même si la hotte est arrêtée. Si tel est le cas, il est impossible de l'arrêter avec l'interrupteur. Si vous devez arrêter le ventilateur, faites-le à partir du panneau électrique principal.



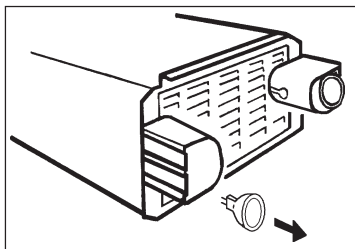
AMPOULES HALOGENES

Ce modèle de hotte a deux ampoules halogènes (Type MR16, 12V, 20W).

AVANT DE PROCÉDER À QUELCONQUE OPÉRATION, DÉBRANCHEZ L'APPAREIL.

Pour changer les ampoules:

1. Enlever la grille anti-graisse
2. Enlever les ampoules en les tirant tout droit vers le bas. Ne pas faire tourner les ampoules.
3. Remettre les ampoules en alignant les fiches des ampoules avec les cavités à l'intérieur desquelles elles doivent être insérées et en poussant les ampoules vers le haut.



SI, APRÈS AVOIR REMPLACÉ LA LAMPE HALOGÈNE, CELLE-CI NE FONCTIONNE PAS, CONTACTER LE TECHNICIEN.

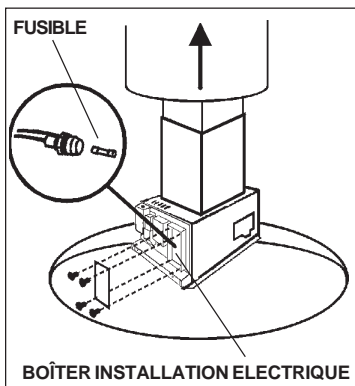
REMPACEMENT FUSIBLE

DÉBRANCHEZ L'APPAREIL.

Poussez vers le haut le conduit inférieur.

Ouvrir le boîtier installation électrique.

Remplacez par un fusible du même type (5x20mm, 4A, 125V).



GARANTIE

GARANTIE BROAN LIMITÉE À UN AN

Broan garantit au consommateur-acheteur de ses produits que ces produits seront sans défauts concernant les matières employées et concernant la fabrication pendant une période d'un an à partir de la date d'achat. IL N'Y A AUCUNE AUTRE GARANTIE, EXPLICITE OU IMPLICITE, Y COMPRIS, MAIS NON PAS LIMITEE A, LES GARANTIES IMPLICITES OU CONCERNANT LA CAPACITE COMMERCIALE OU LA CONVENANCE POUR TOUT BUT PARTICULIER. Pendant cette période d'un an, Broan réparera ou remplacera, s'il le jugera nécessaire, gratuitement, tout article ou toute pièce qui résulteront défectueux à condition qu'ils aient été utilisés et entretenus correctement.

CETTE GARANTIE NE S'ETEND PAS AUX INTERRUPTEURS DES NEON, NEON, LAMPES HALOGENES, AMPOULES d'ILLUMINATION. Cette garantie ne couvre pas (a) l'entretien normal ni (b) tout article ou toute pièce qui aient subi une utilisation erronée, une négligence, un accident, un entretien erroné ou une réparation (autre que de la part de Broan), une installation défectueuse ou bien une installation ne respectant pas les instructions d'installation recommandées.

La durée de toute garantie implicite est limitée à un an comme cela est spécifié dans la garantie explicite. Quelques états ne permettent pas de limites quant à la durée d'une garantie implicite, par conséquent la limitation indiquée ci-dessus peut ne pas vous concerner.

L'OBLIGATION DE REPARER OU DE REMPLACER DE LA PART DE BROAN SERA LE SEUL ET EXCLUSIF REMEDE DE L'ACHETEUR COUVERT PAR CETTE GARANTIE. BROAN NE SERA PAS RESPONSABLE DES DOMMAGES ACCIDENTELS, CONSEQUENTIELS OU SPECIAUX DUS A L'UTILISATION DU PRODUIT OU A SA PERFORMANCE OU EN ETANT LA CONSEQUENCE. Quelques états ne permettent pas l'exclusion ou la limitation des dommages accidentels ou consécutifs, par conséquent la limitation indiquée ci-dessus peut ne pas vous concerner. Cette garantie vous donne des droits légaux spécifiques, et vous pouvez aussi avoir d'autres droits, qui varient d'Etat à Etat. Cette garantie dépasse toute garantie précédente. Pour avoir droit à la garantie, vous devez (a) avertir la Maison Broan à l'adresse indiquée ci-dessous ou téléphoner : 1-800-637-1453, (b) donner le numéro du modèle et l'identification de la pièce défectueuse et (c) décrire la nature de tout défaut de l'article ou de la pièce. Au moment où vous demandez le service de garantie, vous devez présenter la preuve d'achat avec la date.

BEST BY BROAN, P.O. Box 140 Hartford, Wisconsin 53027

LEA Y CONSERVE ESTAS INSTRUCCIONES

 **INDICADO PARA EL USO EN COCINAS DOMESTICAS** 

  **ADVERTENCIA**

PARA EVITAR EL RIESGO DE INCENDIO, CORTOCIRCUITO O DAÑO PARA LAS PERSONAS, OBSERVE ATENTAMENTE LAS SIGUIENTES NORMAS:

1. Use esta unidad solamente de la manera indicada por el fabricante; si tiene dudas, póngase en contacto con éste a la dirección o teléfono indicados en la garantía.
2. Antes de hacer una revisión o de limpiar la unidad, desconéctela de la red para evitar que se encienda de manera accidental. En el caso de que éste no pueda ser desactivado, se indicará nel panel de servicio.
3. El montaje y la instalación eléctrica debe hacerlos un técnico especializado siguiendo las normas estándar e incluyendo aquellas de construcción anti incendio.
4. Necesita aire suficiente para una apropiada combustión y escape de gases a través del tubo del depósito de quema de combustible. Para evitar que el humo aspirado vuelva a la cocina, siga las directivas del fabricante y las normas estándar de seguridad así como las normas publicadas por la Asociación de prevención de incendios (NFPA) y la Sociedad americana de especialistas en cale-facción, refrigeración y aire acondicionado y además las normas de las autoridades locales.
5. Hacer un corte o un taladro en la pared o en el techo no debe dañar la instalación eléctrica u otras instalaciones ocultas en la pared.
6. Los conductos ventiladores deben siempre desalojar al exterior.
7. No use esta unidad con dispositivo de control de la velocidad a estado sólido.
8. Para evitar el riesgo de incendio, use solamente conductos de metal.
9. Esta unidad tiene que ser conectada a tierra.

PARA EVITAR EL RIESGO DE FUEGO POR ALTO NIVEL DE GRASA:

- A. Nunca abandone los quemadores con el fuego alto. La cocción causa humo y restos de grasa que pueden arder. Caliente el aceite a fuego medio o bajo.
- B. Encienda siempre la campana cuando cocine a fuego alto o cuando cocine alimentos fácilmente inflamables. (por ejemplo Crepes Suzette, Cerezas Jubilee, Ternera flambeada con granos de pimienta).
- C. Limpie con frecuencia los ventiladores. No se debe acumular grasa en el ventilador o en el filtro.
- D. Usa el tamañ de cazuela apropiado. Use siempre utensilios de cocina de tamaño y material adecuados.

  **ADVERTENCIA**

PARA EVITAR EL RIESGO DE DAÑOS A PERSONAS EN CASO DE FUEGO POR ALTO NIVEL DE GRASA, TENGA EN CUENTA LO SIGUIENTE:*

1. SOFOQUE LA LLAMA con una tapadera apropiada, una bandeja metálica ó un utensilio de cocina que pueda cubrirla, despues, apague el quemador. ACTÚE CON PRECAUCIÓN PARA EVITAR QUEMADURAS. Si la llama no se extingue inmediatamente, SALGA Y LLAME A LOS BOMBEROS.
2. NUNCA COJA UNA SARTEN EN LLAMAS, porque corre el riesgo de quemarse.
3. NO USE AGUA ni paños o toallas húmidas porque puede provocarse una violenta humareda.
4. Use un extintor SOLAMENTE si:
 - A. Posee un extintor de clase ABC y sabe perfectamente cómo usarlo.
 - B. El fuego es pequeño y está controlado en el mismo sitio en que empezó.
 - C. Ha llamado con anterioridad a los bomberos.
 - D. Puede combatir el fuego retrocediendo hacia la salida.

* Basado en "Seguridad antifuego en la cocina" publicado por NFPA.

ADVERTENCIA

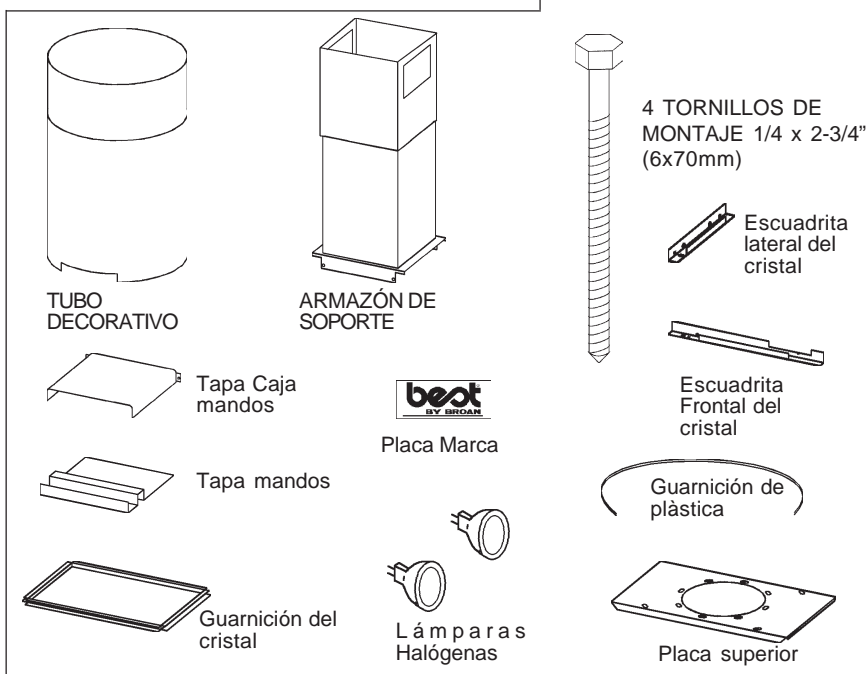
1. Para reducir el riesgo de incendios y para evacuar correctamente los humos, asegurarse de haber realizado una conducción del aire hasta el exterior. No expulsar los humos en espacios cerrados por paredes o techos, áticos, espacios angostos o garajes.
2. Prestar la máxima atención al utilizar productos de limpieza o detergentes.
3. Evitar el uso de productos alimentarios que puedan inflamarse bajo la campana.
4. Sólo para ventilación total. No use gases de escape peligrosos o materiales y vapores explosivos.
5. Para evitar daños en el funcionamiento del motor e impulsores ruidosos y/o desequilibrados, mantenga alejados de la unidad de encendido pulverizadores en seco o polvo.
6. El motor tiene un nivel de sobrecarga térmica que apaga automáticamente el motor cuando se ha recalentado excesivamente. El motor se pone de nuevo en funcionamiento cuando la temperatura baja. Si el motor comienza a encenderse y a apagarse, deberá hacer una revisión de éste.
7. Para limpiar mejor las impurezas al cocinar, la distancia entre la parte inferior de la campana y la zona de cocción debe ser mínimo 24" - máximo 30".
8. Debido a su gran tamaño y peso, se recomienda su montaje por parte de 3 técnicos especializados.
9. Este producto está dotado de un termostato que pone en marcha automáticamente el motor. Para reducir el riesgo de daños y evitar que se encienda accidentalmente, colocar el interruptor del panel de servicio en la posición OFF y bloquear el panel de servicio o colocar una advertencia externa como por ejemplo un letrero o una chapita.
10. Use solamente con juego de conexión para alimentación aprobado.
11. Se recomienda leer la placa de características del producto para ulterior información.

PREPARE LA CAMPANA

Sacar la campana de l'embalaje y controlar el contenido.

Recivireis:

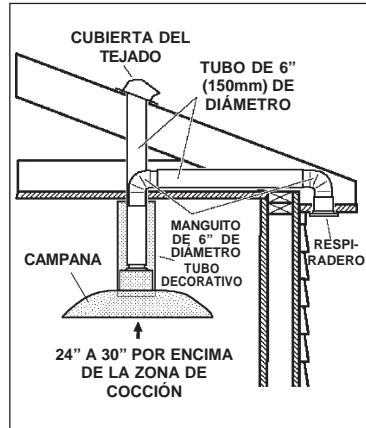
- 1 - Campana
- 1 - Tubo decorativo
- 1 - Armazón de soporte
- 1 - Bolsita (B080810590) con:
 - 4 - Tornillos de montaje 1/4 x 2-3/4" (6 x 70mm)
 - 11 - Tornillos de montaje 1/8 x 3/8" (3.9 x 9.5mm) cabeza redonda
 - 4 - Arandelas $\varnothing 1/4"$ ($\varnothing 6.4$ mm)
- 1 - Guarnición del cristal
 - 1 - Escuadrita frontal de cristal
 - 2 - Escuadritas lateral del cristal
- 1 - Guarnición de plástica
 - 2 - Lámparas halógenas
- 1 - Bolsita (B080810114) con:
 - 1 - Placa superior
 - 8 - Tornillos de montaje 1/8 x 3/8" (3.9 x 9.5mm) cabeza redonda
 - 2 - Tornillos de montaje 3/16 x 13/16" (M4 x 20mm)
 - 8 - Arandelas $\varnothing 3/16"$ ($\varnothing 4.5$ mm)
- 1 - Bolsita (B080810320) con:
 - 1 - Caja mandos
 - 1 - Placa marca
 - 1 - Tapa caja mandos
 - 2 - Tornillos de montaje 1/8 x 3/8" (3.9 x 9.5mm) cabeza redonda
 - 2 - Tornillos de montaje 1/8 x 1/4" (3.9 x 6mm) cabeza redonda
 - 2 - Arandelas dentadas
- 1 - Instrucciones para instalación
- 1 - Garantía



INSTALACION DEL TUBO DE EXTRACCION

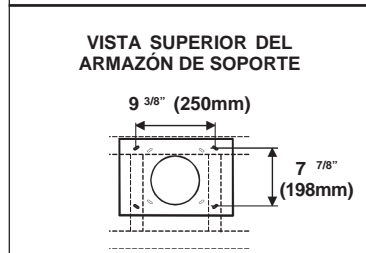
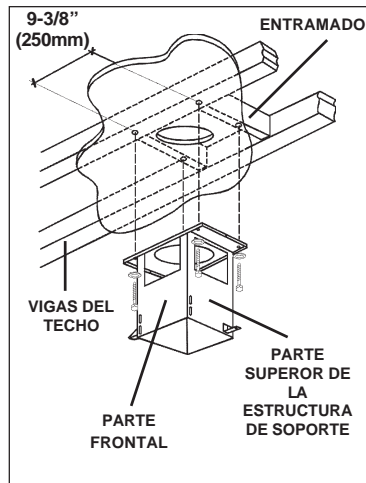
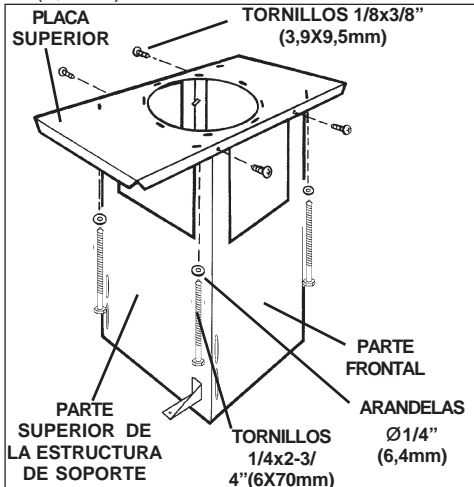
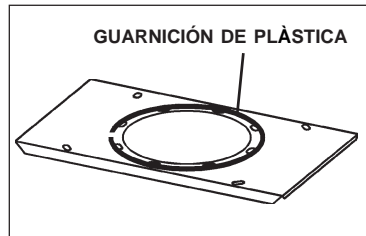
NOTA: para evitar el riesgo de incendio, use solamente material de metal.

1. Decida donde va a colocar el tubo de extracción entre la campana y la parte exterior.
2. Un recorrido de tubo corto y recto permitirá a la campana funcionar de manera más eficaz.
3. Los recorridos largos de tubo, codos y manguitos impiden el buen funcionamiento de la campana. Use el menor número de ellos posible.
4. Instale una cubierta ó una tapa. Una el tubo de metal de 6" (150mm) de diámetro a la cubierta y retroceda hasta la posición de la campana. Use una cinta para precintar las juntas entre las partes del entubado.

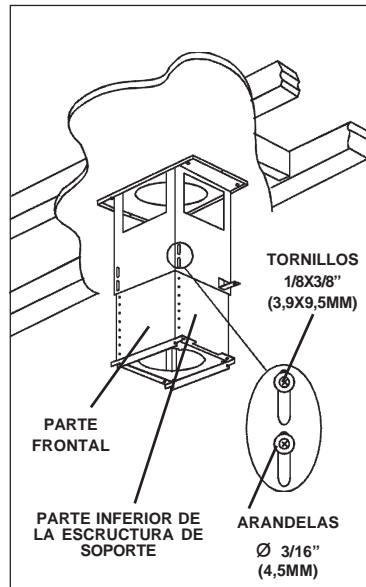


INSTALACION DE LA ESTRUCTURA DE SOPORTE

1. Una la parte superior de la estructura de soporte a la placa superior y asegúrela con los 4 tornillos 1/8x3/8" (3,9x9,5mm).
2. Fije la guarnición de plàstica a la placa superior.
3. En el sitio donde vaya a ir la campana, instale un entramado entre las vigas del techo utilizando las medidas dadas.
4. Termine la superficie del techo. Asegúrese de marcar la colocación de las vigas del techo y del entramado.
5. Fije la placa al techo con los 4 tornillos 1/4x2-3/4" (6x70mm) con 4 arandelas Ø1/4" (6,4mm).

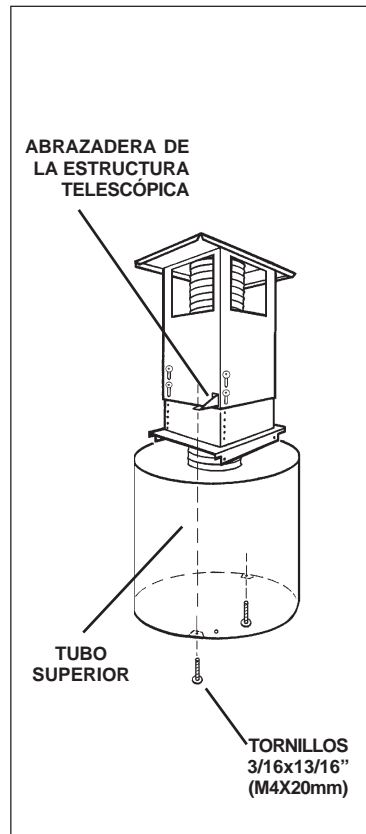
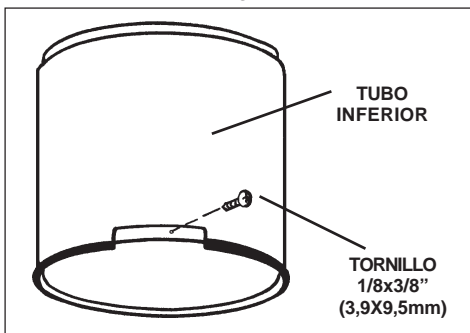


6. Compruebe que los tornillos vayan al centro de las vigas del techo para una mayor rigidez.
7. Separa el grupo motor de la estructura inferior. Elimine los 4 tornillos.
8. Una la parte inferior de la estructura de soporte con la parte anteriormente fijada al techo con 8 tornillos 1/8x3/8" (3,9x9,5mm) y 8 arandelas \varnothing 3/16" (4,5mm).
9. Ajuste la altura total de la estructura de soporte. Afloje y apriete de nuevo los tornillos en las **ranuras de ajuste de la altura** si es necesario. Tenga en cuenta que la campana tiene 13 - 3/8" de alta y que su parte inferior debe estar a una altura mínima de 24" y máxima de 30" con respecto a la zona de cocción.



INSTALACION DE LOS TUBOS

1. Separar los 2 tubos decorativos; **esta operación debe efectuarse con mucho cuidado para evitar arañazos. Colocar los tubos en el piso y levantar el tubo interno prestando atención a no inclinarlos o deformarlos.**
2. Fije el tubo superior con 2 tornillos 3/16x13/16" (M4x20mm), a las abrazaderas de la estructura telescópica.
3. Coloque el tubo inferior, empújelo hacia arriba y hágalo girar hasta que el orificio practicado en el tubo inferior, esté a disposición a través de la abertura inferior. Enrosque parcialmente un tornillo 1/8x3/8" (3,9x9,5mm) en el orificio y apoye provisoriamente el tubo inferior en el mismo. Durante dicha operación tenga cuidado de que no se dañe la guarnición.



MONTAJE DE LA PARTE DECORATIVA DE CRISTAL

1. Coloque la guarnición del cristal a lo largo de los bordes del cristal.
2. Coloque el cristal, desde arriba hacia abajo, en el grupo motor y fíjelo al mismo sirviéndose de las tres escuadritas y de los 6 tornillos $1/8 \times 3/8''$ (3,9x9,5mm) en dotación. Fije las escuadritas a los lados del grupo motor sin mandos.

Considerar que el grupo motor debe estar ligeramente levantado para permitir que el vidrio quede bien apoyado en el soporte del grupo motor. Colocar un bloque de poliestireno debajo del grupo de soplado para facilitar el emplazamiento del vidrio.

CUIDADO: Es muy importante que la guarnición de plástico esté bien colocada y que ninguna parte del borde del cristal esté directamente en contacto con partes metálicas del grupo motor ya que el cristal podría romperse.

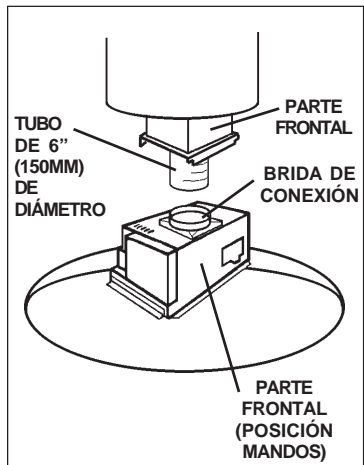
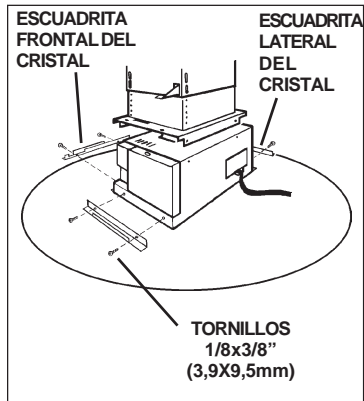
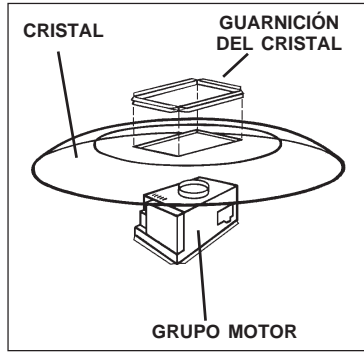
Las campanas con decoración de cristal forman parte de una gama de artículos de especial prestigio construidos con métodos artesanales; a pesar de ello, la superficie de cristal puede presentar pequeños defectos de deformación, debido a las particulares fases de elaboración a las que el cristal tiene que ser sometido.

Tenga mucho cuidado y no golpee bruscamente la parte de cristal con objetos de porcelana, metal, vidrio o cualquier otro objeto pesado ya que podría romperse.

TUBO DE EXTRACCION DE HUMOS

Para efectuar las siguientes operaciones hacen falta 3 personas.

1. Ahora, acerque la campana a la parte inferior de la estructura y una el tubo de evacuación del aire a la brida de conexión. Cerciorarse de que el lado de mandos esté orientado correctamente.
2. Use un tubo de metal de 6'' (150mm) de diámetro para unir la brida de conexión con el tubo de extracción.
3. Use la cinta para unir todas las juntas, de esta manera el tubo quedará hermético.

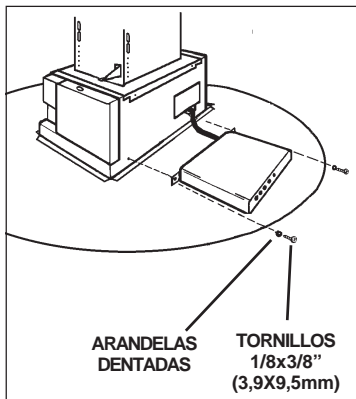
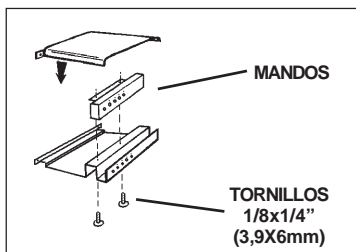
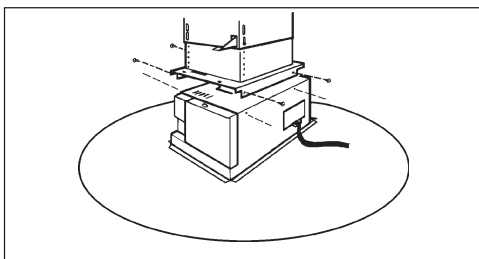


SUJETE LA CAMPANA A LA ESTRUCTURA DE SOPORTE

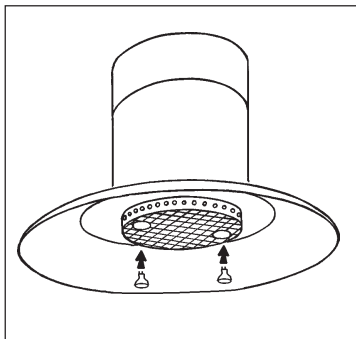
1. Fije los mandos a la escuadrina en el interior del tubo inferior con los dos tornillos $1/8 \times 1/4"$ ($3.9 \times 6 \text{mm}$). Apoye la tapa sobre el tablero de mandos.
2. Fije el tablero de mandos al soporte con 2 tornillos $1/8 \times 3/8"$ ($3.9 \times 9.5 \text{mm}$) y 2 arandelas dentadas.

Para efectuar las siguientes operaciones hacen falta 3 personas.

3. Fije el grupo motor a la estructura de soporte con los correspondientes 4 tornillos (usar los tornillos previamente quitados - $1/8" \times 3/8"$ - $3.9 \times 9.5 \text{mm}$).



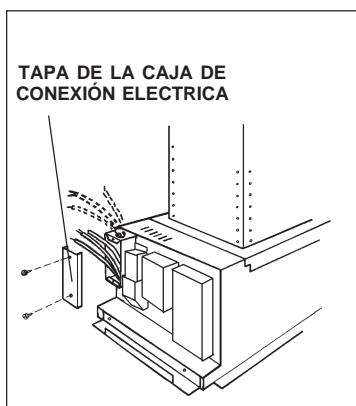
4. Montar las lámparas halógenas y el filtro antigrasa.
5. Realice la conexión eléctrica (dirijase al capítulo "INSTALACION ELECTRICA").
6. Elimine el tornillo de fijado provisorio del tubo inferior y colóquelo definitivamente apoyándolo a la campana.



INSTALACION ELECTRICA

Nota: Este tipo de campana tiene que ser conectada a tierra cuidadosamente. La unidad debe instalarla un técnico electricista siguiendo las normas nacionales y locales.

1. Quite la tapa de la caja de conexión eléctrica y saque un cable.
2. Fije el "conduit" a la caja de conexión por medio de un conector idóneo para el "conduit".
3. Haga las conexiones eléctricas, una blanco con blanco, negro con negro y verde con verde.
4. Vuelva a conectar la tapa de la caja de conexión. Compruebe que los cables no queden pillados.



MANTENIMIENTO

Filtro antigrasa

Limpie el **filtro antigrasa** con frecuencia. Tire de él hacia abajo para extraerlo y limpiarlo. Use un detergente que no sea fuerte. El filtro antigrasa se puede meter en el lavavajillas. Evite daños en las lámparas halógenas alineando cuidadosamente las aberturas del filtro con las lámparas.

Limpieza del interior de la campana

ANTES DE LIMPIAR LA CAMPANA, DESCONECTELA DE LA RED.

1. Extraiga el filtro antigrasa como se ha indicado anteriormente.
2. Extraiga las lamparas halógenas (Consulte el capítulo "LAMPARAS HALOGENAS").
3. Extraiga la **rejilla de metal** sujeta con cuatro tornillos.
4. Use un paño suave y un detergente que no sea fuerte para limpiar la parte interna de la campana.

Limpieza del exterior de la campana

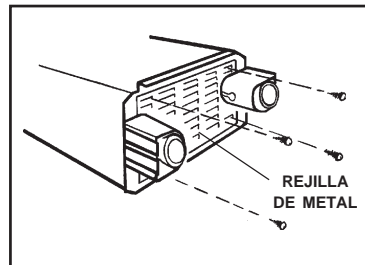
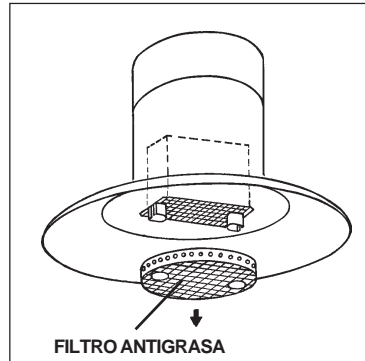
El acero inoxidable es uno de los materiales más fáciles de limpiar, pero sería aconsejable un especial cuidado en su uso para mantenerla en buen estado. La campana se puede limpiar de las siguientes maneras:

- Agua caliente con jabón o detergente es la mejor manera para limpiarla.
- Aclárela con agua corriente, séquela con un paño suave y limpio para evitar las huellas que deja el agua.
- Para las manchas o restos de grasa que persistan, use un producto químico doméstico que no raye ó un limpiador para acero inoxidable con poca agua y un paño suave.
- Si las manchas persisten, use un estropajo y un cepillo de cerdas suaves con un producto limpiador y agua. Frote suavemente en el sentido del pulido o de las "vetas" del remate del inoxidable. No apriete demasiado porque podría dañar la superficie.
- No deje que las manchas se acumulen durante mucho tiempo.
- No use utensilios o cepillos de acero. Pequeñas partículas de acero pueden adherirse y oxidarse.
- No use soluciones salinas, desinfectantes, lejías, o productos de limpieza que permanezcan en contacto con el acero inoxidable durante largos periodos de tiempo. Muchos de estos productos contienen componentes químicos que podrían resultar nocivos. Aclare con agua y seque con un paño limpio.

Las superficies lacadas deben limpiarse solamente con agua tibia y detergente no muy fuerte.

Limpieza del cristal

Use un paño suave y un producto limpiacristales solamente. No use paños fuertes, esponjas de acero o estropajos. No use productos de limpieza fuertes o abrasivos.



FUNCIONAMIENTO

Mandos

La campana se pone en funcionamiento usando los mandos situados a la altura de los ojos a un lado de la parte frontal de la campana. El **interruptor luz** enciende y apaga las lámparas halógenas.

El **mando de encendido - apagado y velocidad 1** del aspirador pone en funcionamiento el aspirador a una velocidad mínima. Accionando este mando otra vez, se apaga el aspirador.

El **mando de velocidad 2** pone el aspirador a una velocidad media- baja. Si acciona este mando otra vez se pone en funcionamiento un timer que mantiene el aspirador funcionando a dicha velocidad durante diez minutos. El diodo se mantiene encendido durante ese tiempo y el aspirador se apaga automáticamente.

El **mando de velocidad 3** y el de velocidad 4 funcionan como el de velocidad 2 pero el de velocidad 3 funciona a una velocidad medio-alta y el de velocidad 4 lo hace a una velocidad alta.

Después de unas 30 horas de funcionamiento, todas las espías relampaguean contemporáneamente indicando que hay que limpiar los filtros metálicos. Una vez vueltos a colocar los filtros limpios, pulsar dos veces el "mando de velocidad 2" (o bien los mandos de velocidad 3 o 4) mientras que la pantalla o dígitos (espías) parpadean a fin de activar nuevamente el contador.

HEAT SENTRYMR

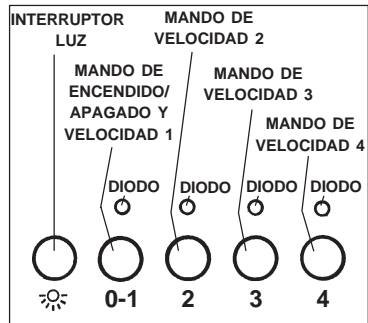
Su campana esta equipada con termostato HEAT SENTRYMR. Este termostato tiene un mecanismo que se encenderáo aceleratáel ventilador si se detecta un calor excesivo encima de la cocina.

- 1) Si el ventilador esta apagando - el se prenderá a una velocidad máxima.
- 2) Si el ventilador esta encendido a una velocidad minima - el se prenderá a una velocidad máxima.

Cuando la temperatura disminuye a un nivel normal, el ventilador vuelve a la función de origen.

AVERTENCIA

El HEAT SENTRYmr termostato puede comenzar a funcionar al igual si la campana esta parada. En este caso, es imposible parar el ventilador con los interruptores. Si usted para la campana, halago a partir del panel eléctrico principal.



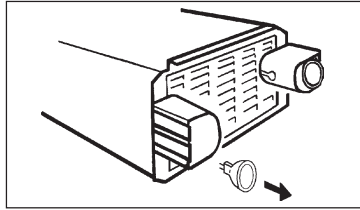
LAMPARAS HALOGENAS

Este tipo de campana necesita dos lámparas halógenas (Tipo MR16, 12V, 20W).

ANTES DE PROCEDER A CUALQUIER OPERACIÓN, ES NECESARIO DESCONECTAR EL APARATO.

Para cambiar las lámparas:

1. Extraiga el filtro antigrasa.
2. Extraiga las lámparas tirando de ellas hacia abajo. No trate de sacarlas a rosca.
3. Coloque las lámparas metiendo las clavijas de éstas en los agujeros y empujando las lámparas hacia arriba.



SI DESPUÉS DE HABER CAMBIADO LAS LÁMPARAS HALÓGENAS ÉSTAS NO FUNCIONASEN, PÓNGASE EN CONTACTO CON UN TÉCNICO ESPECIALIZADO.

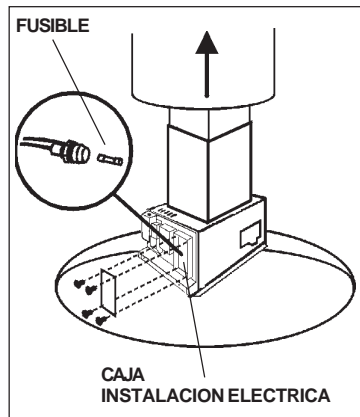
SUSTITUCION FUSIBLE

DESCONECTAR EL APARATO.

Empúje el tubo decorativo hacia arriba.

Abrir la caja de la instalación eléctrica.

Sustituir por un fusible del mismo tipo (5x20mm, 4A, 125V).



GARANTIA

GARANTIA BROAN POR UN AÑO

Broan garantiza al consumidor-comprador de sus productos que dichos productos no tendrán defectos en los materiales o fabricación, durante un periodo de un año a partir de la fecha de la compra. NO HAY OTRO TIPO DE GARANTIAS QUE INCLUYAN O SE LIMITEN EXCLUSIVAMENTE A GARANTIAS IMPLÍCITAS O DE CAPACIDAD COMERCIAL O CONVENIENCIA PARA UN PROPOSITO ESPECIFICO.

Durante el periodo de un año, Broan, si lo estima conveniente, reparará o reemplazará sin gastos para el usuario cualquier producto o parte de éste que sea defectuosos habiéndose usado correctamente. ESTA GARANTIA NO CUBRE: ESTARTER DE NEON, NEON, LÁMPARAS HALÓGENAS, LÁMPARAS DE ILUMINACIÓN. Tampoco cubre el mantenimiento ni los productos o partes de éstos que hayan sido usados de forma incorrecta, con negligencia, rotos accidentalmente o por una incorrecta manutención ó reparación (distinta da la realizada por Broan), montaje incorrecto ó instalación que no se ajuste a las instrucciones de montaje indicadas. Le duración de la garantía se limita al periodo de un año como está especificado en la garantía explícita. Algunos países no permiten un limite en la duración de la garantía implícita; si es así en su caso, esta limitación arriba indicada podría no aplicarse.

LA PRESENTE GARANTIA CUBRIRA EXCLUSIVAMENTE AL COMPRADOR LOS SERVICIOS DESCRITOS ANTERIORMENTE. BROAN NO SE HACE RESPONSABLE DE DANOS PRODUCIDOS DE MANERA ACCIDENTAL O RELACIONADOS CON EL USO INCORRECTO DEL PRODUCTO O SU FUNCIONAMIENTO.

Algunos países no permiten la exclusión o limitación de los daños producidos de manera accidental, si es así en su caso, esta limitación arriba indicada podría no aplicarse. Esta garantía le da derechos legales específicos y podría también disponer de otros derechos que varían de país a país. Esta garantía supera otras garantías dadas con anterioridad. Para disfrutar de la garantía usted deberá a) Avisar a la dirección abajo indicada ó bien llamar por teléfono al número 1-800-637-1453 b) Dar el número de serie del modelo correspondiente o bien una descripción de la parte averiada, c) Descripción del defecto en el producto o bien en una de sus partes. Para requerir un servicio en garantía debe presentar el justificante con la fecha de la compra.

BEST BY BROAN, P.O. Box 140 Hartford, Wisconsin 53027

SERVICE PARTS

MODEL IS241/BER02IS - Parts for stainless steel models shown. For service parts for black or white models, call Broan Customer Service.

KEY NO.	PART NO.	DESCRIPTION
2	B03118699	Blower Unit
5	B08088744	Grille
6	B020002340	Filter Spring
14	B02300233	Motor Capacitor
19	B03295005	Capacitor Protection
26	B02300774	Halogen Bulb
30	BE3335756	Control Box Top Protection
37	B02300787	Heat Sentry
38	B03292357	Control Board Box
38	BW0000027	Control Cover
39	B03294033	Control Board Box Cover
42	B03295001	Protection
48	B02310184	Motor
49	B03295071	Blower Wheel
53	B03202007	Rubber Washer
56	B03292292	Flange
57	B02000756	Damper Flap
62	BE3334542	Blower Mounting Cover
63	B031094742	Upper Bracket
65	BE3403023	Blower Protection
67	B02300290	Cable
68	B02011258	Right Motor Housing
69	B02011259	Left Motor Housing
92	B003182151	Control Box Bottom Protection
92	BE3343007	Control Box Protection
110	B03202430	Plastic Gasket
111	B03204093	Glass Gasket
113	B02011284	Nameplate
115	BE3334250	Wiring Box
116	BE3334252	Wiring Box Cover
118	BE3400436	Lower Flue
119	BE3400435	Upper Flue
124	B031094732	Telescopic Structure Bottom
125	B031094722	Telescopic Structure Top
137	BE3334547	Glass Bracket
138	BE3334548	Side Glass Bracket
144	B03292287	Wire Clamp
165	B03295008	Control Board Box
166	B08086662	Control Board
199	B02300727	Ceramic Insulator Base
200	B03292296	Halogen Bulb Protection
208	B02300783	Transformer
223	B03202296	Switch Button
332	BE3234559	Cover
420	BE3342289	Halogen Bulb Support
477	B03295006	Closing
998	B080810590	Hardware Package
998	B080810114	Hardware Package
998	B080810320	Hardware Package
*	B06107676	Control Box Assembly (Includes Keys Nos. 67, 92, 234, 38, 223, 230)
*	B06002019	Blower Assembly (Includes Keys Nos. 42, 68, 69, 48, 49, 53)
-	B02300782	Fuse
-	B02300674	Fuse Holder

* Not shown assembled.

LISTE PIECES DE RECHANGE

MODELE IS241/BER02IS - Ci-dessous liste pièces de rechange pour hottes en inox. Pour les pièces de rechange des modèles de couleurs noir ou blanc, contacter Broan Customer Service.

N.	PART N.	DESCRIPTION
2	B03118699	Groupe moteur
5	B08088744	Grille
6	B020002340	Ressort du filtre
14	B02300233	Condensateur
19	B03295005	Protection Condensateur
26	B02300774	Ampoule Halogene
30	BE3335756	Protection boîte commandes
37	B02300787	Capteur de température
38	B03292357	Boîte circuit imprimé électrique
38	BW0000027	Couvercle commandes
39	B03294033	Couvercle boîte circuit imprimé
42	B03295001	Protection
48	B02310184	Moteur
49	B03295071	Turbine du moteur
53	B03202007	Pare chocs
56	B03292292	Bride de raccordement
57	B02000756	Clapet anti-retour
62	BE3334542	Etrier inférieur
63	B031094742	Plaque supérieure
65	BE3403023	Protection Convoyeur
67	B02300290	Cable
68	B02011258	Cocue droite du moteur
69	B02011259	Cocue gauche du moteur
92	B003182151	Protection inferieure boîte commandes
92	BE3343007	Protection boîte commandes
110	B03202430	Garniture plastique
111	B03204093	Garniture verre
113	B02011284	Plaquette logo
115	BE3334250	Boîte d'alimentation
116	BE3334252	Couvercle boîte d'alimentation
118	BE3400436	Tube inférieur
119	BE3400435	Tube supérieur
124	B031094732	Structure telescopique inferieure
125	B031094722	Structure telescopique superieure
137	BE3334547	Etrier verre
138	BE3334548	Etrier droit verre
144	B03292287	Serre cable
165	B03295008	Boite installation électrique
166	B08086662	Circuit imprimé installation électrique
199	B02300727	Ceramic Insulator Base
200	B03292296	Protection ampoule halogène
208	B02300783	Transformateur
223	B03202296	Bouton
332	BE3234559	Couvercle
420	BE3342289	Support ampoule halogène
477	B03295006	Couvercle de la protection transformateur
998	B080810590	Accessoires de fixation
998	B080810114	Accessoires de fixation
998	B080810320	Accessoires de fixation
*	B06107676	Ensemble commandes (Comprenant N. 67, 92, 234, 38, 223, 230)
*	B06002019	Ensemble Moteur (Comprenant N. 42, 68, 69, 48, 49, 53)
-	B02300782	Fusible
-	B02300674	Porte-fusible

* Illustrées separement.

LISTA DE PIEZAS DE RECAMBIO

MODELO IS241/BER02IS - Aquí aparecen solamente las piezas de recambio para campanas de acero inoxidable, si desean las piezas de recambio de los modelos en blanco ó negro, pónganse en contacto con el servicio al cliente de Broan.

CÓD. N.	PIEZA N.	DESCRIPCIÓN
2	B03118699	Grupo motor
5	B08088744	Reja
6	B020002340	Muelle del filtro
14	B02300233	Condensador
19	B03295005	Protección Condensador
26	B02300774	Lámpara halógena
30	BE3335756	Protección caja mandos
37	B02300787	Capteur de température
38	B03292357	Caja base de instalación eléctrica
38	BW0000027	Tapa mandos
39	B03294033	Tapa de la caja base de instalación eléctrica
42	B03295001	Protección
48	B02310184	Motor
49	B03295071	Manilla del motor
53	B03202007	Almohadilla antivibraciones
56	B03292292	Conector del tubo
57	B02000756	Válvula de no retorno
62	BE3334542	Soporte inferior
63	B031094742	Placa superior
65	BE3403023	Protección del motor
67	B02300290	Cable
68	B02011258	Caja motor derecho
69	B02011259	Caja motor izquierdo
92	B003182151	Protección inferior caja mandos
92	BE3343007	Protección caja mandos
110	B03202430	Guarnición de plástica
111	B03204093	Guarnición del cristal
113	B02011284	Placa marca
115	BE3334250	Caja de alimentación eléctrica
116	BE3334252	Tapa de la caja de alimentación eléctrica
118	BE3400436	Tubo inferior
119	BE3400435	Tubo superior
124	B031094732	Estructura telescópica inferior
125	B031094722	Estructura telescópica superior
137	BE3334547	Soporte frontal del cristal
138	BE3334548	Soporte lateral del cristal
144	B03292287	Sujeta cabos
165	B03295008	Caja de instalación eléctrica
166	B08086662	Base para instalación eléctrica
199	B02300727	Soporte de cerámica de la lámpara
200	B03292296	Protección de la lámpara
208	B02300783	Trasformador
223	B03202296	Mando
332	BE3234559	Tapa
420	BE3342289	Soporte de la lámpara
477	B03295006	Tapa protección transformador
998	B080810590	Accesorios para el montaje
998	B080810114	Accesorios para el montaje
998	B080810320	Accesorios para el montaje
*	B06107676	Conjunto caja mandos (Incluye los N. 67, 92, 234, 38, 223, 230)
*	B06002019	Conjunto motor (Incluye los N. 42, 68, 69, 48, 49, 53)
-	B02300782	Fusible
-	B02300674	Portafusible

* Se encuentran por separado.

SERVICE PARTS - LISTE PIECES DE RECHANGE - LISTA DE PIEZAS DE RECAMBIO

MODEL IS241 - BER02IS

