



Illustrated Parts List

Model Series

125600

TYPE NUMBERS
0100 through 0165.

TABLE OF CONTENTS

Air Cleaner	6
Blower Housing/Shrouds	7
Camshaft	2
Carburetor	4
Controls	5
Crankshaft	2
Cylinder	2
Cylinder Head	3
Electric Starter	7
Engine Sump	2
Exhaust System	6
Flywheel	7
Flywheel Brake	5
Fuel Supply	4
Governor Spring	5
Ignition	5
Kits/Gaskets Sets	8
Lubrication	2
Piston Group	2
Rewind Starter	7



PRINTED IN U.S.A.

COPYRIGHT by BRIGGS & STRATTON CORPORATION
All rights reserved. No part of this material may be reproduced or transmitted, in any form or by any means, electronic or mechanical, including photocopying, recording or by any information storage and retrieval system, without permission in writing from Briggs & Stratton Corporation.

1058 OPERATOR'S MANUAL



1330 REPAIR MANUAL

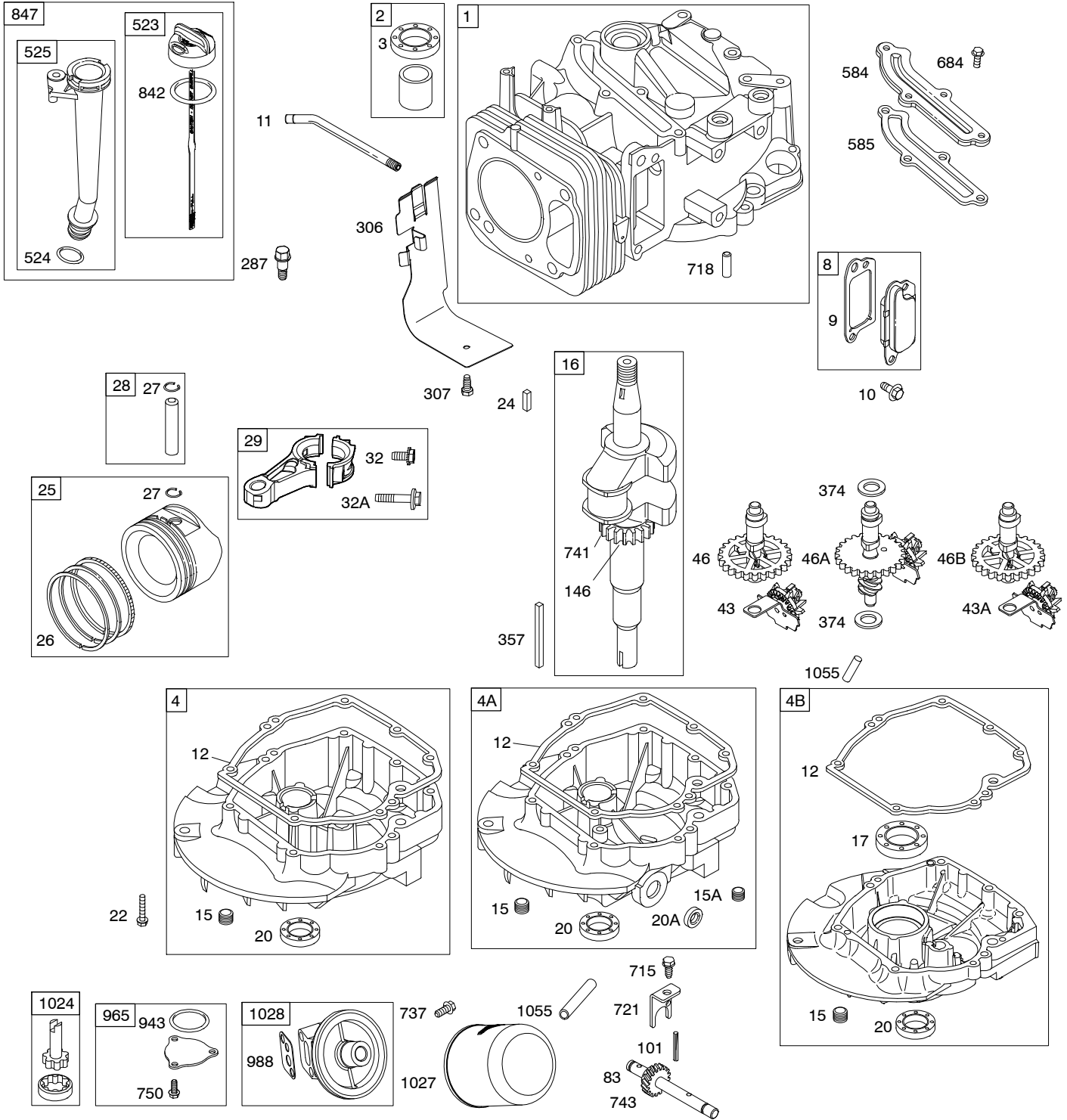


1319 WARNING LABEL

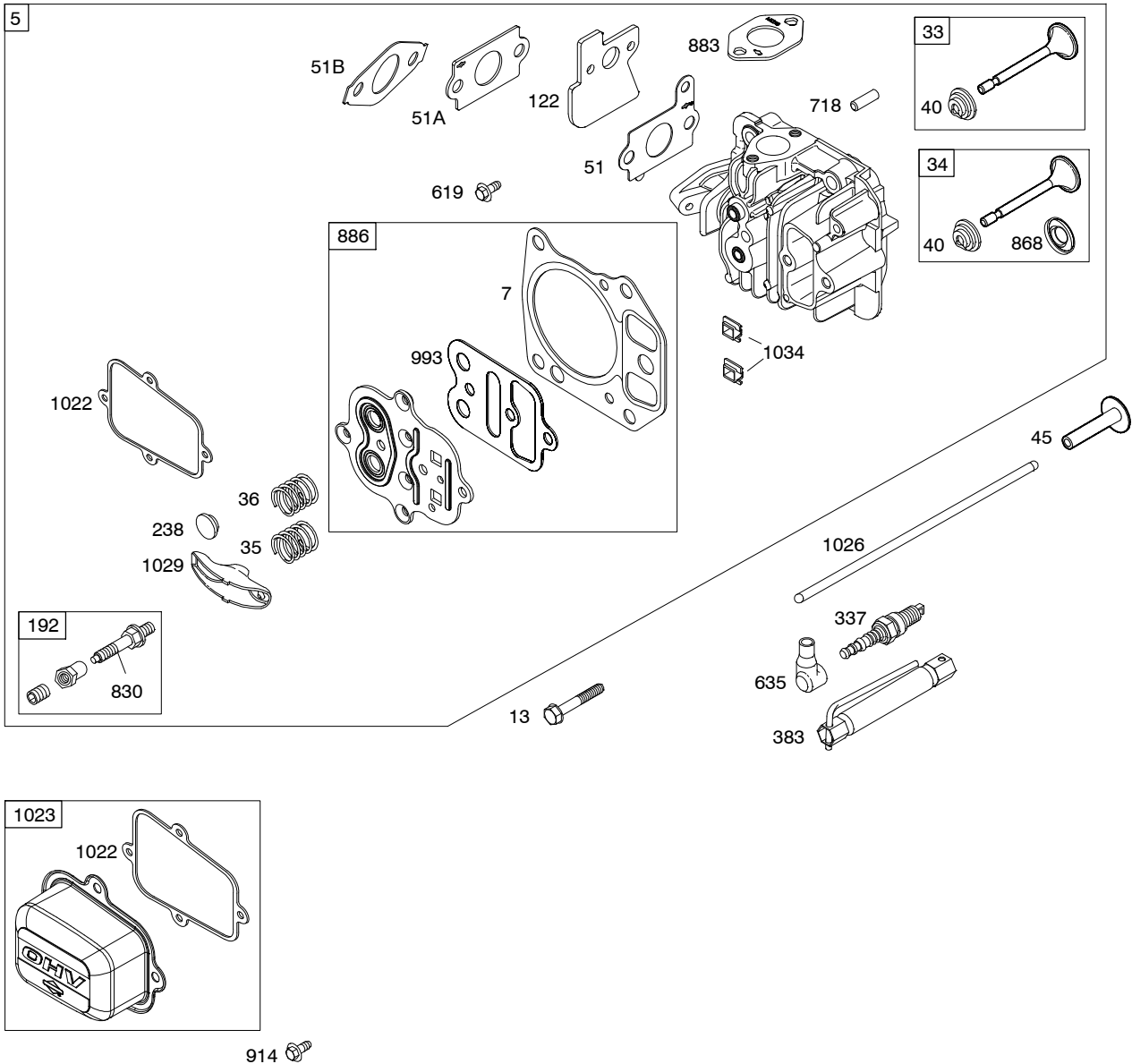


1019 LABEL KIT

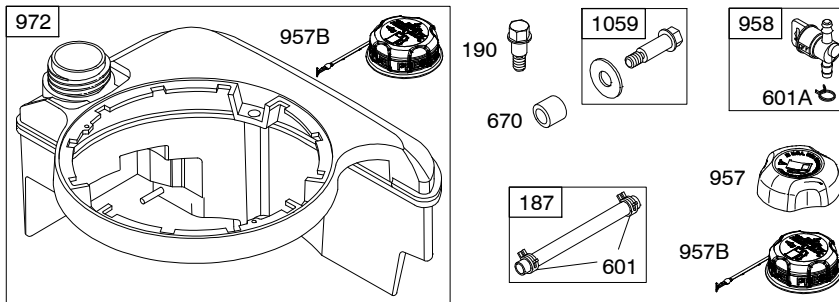
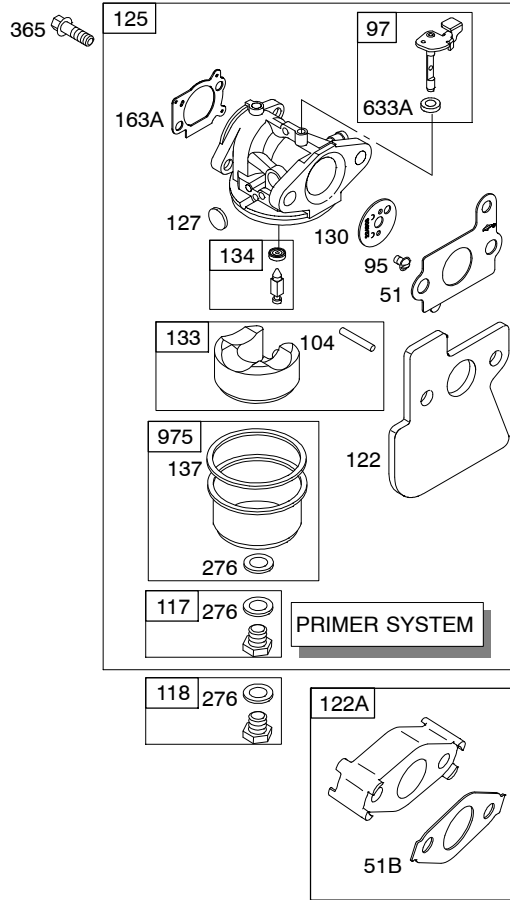
REQUIRED when replacing parts with warning labels affixed.



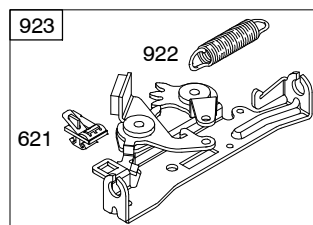
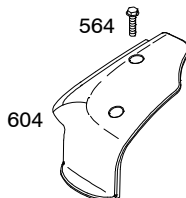
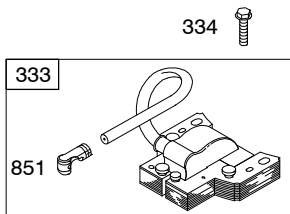
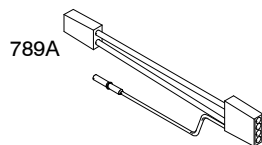
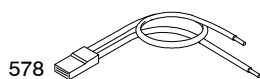
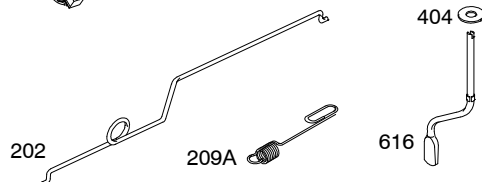
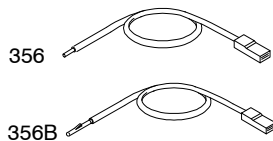
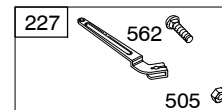
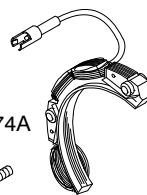
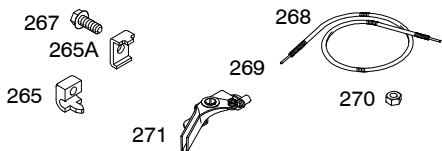
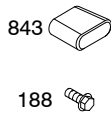
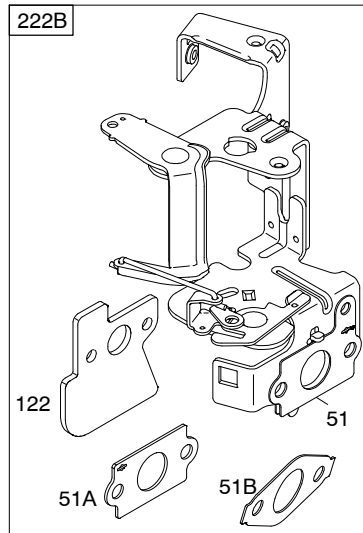
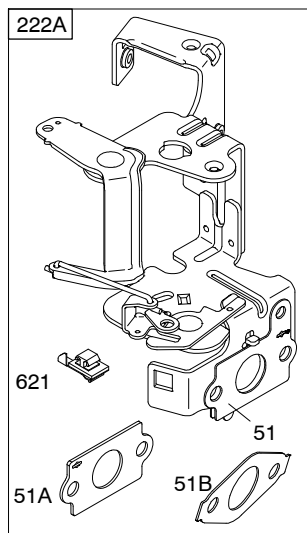
Illustrations cover a range of engines. Parts shown without corresponding text may not be used on your specific engine.
 6537-2 Assemblies include all parts shown in frames. 05/28/2008



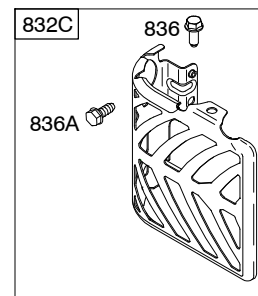
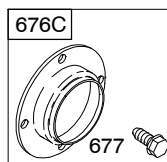
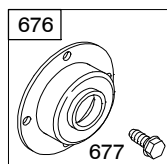
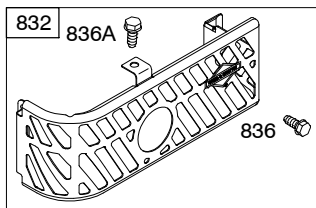
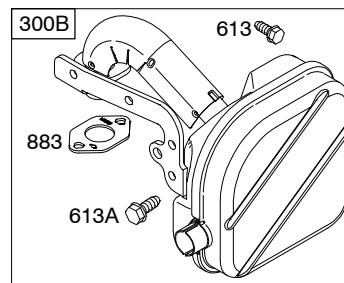
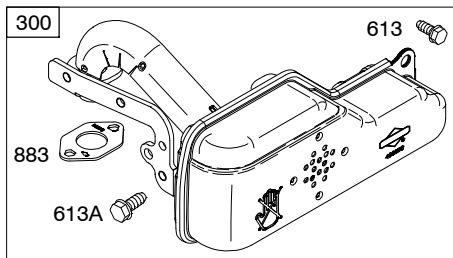
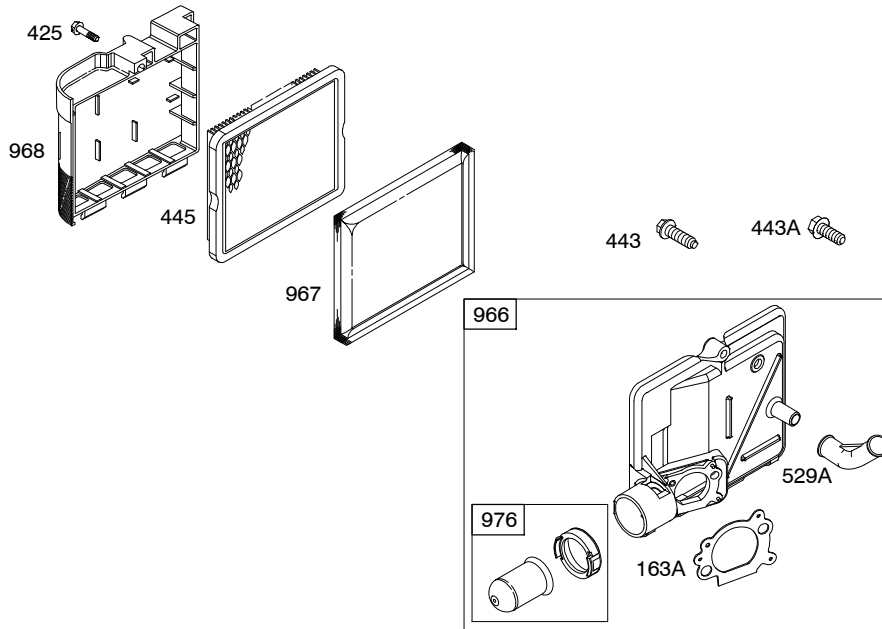
Illustrations cover a range of engines. Parts shown without corresponding text may not be used on your specific engine.
 6537-3 Assemblies include all parts shown in frames. 05/28/2008



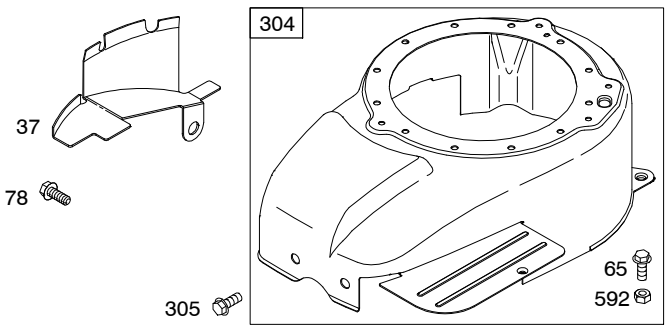
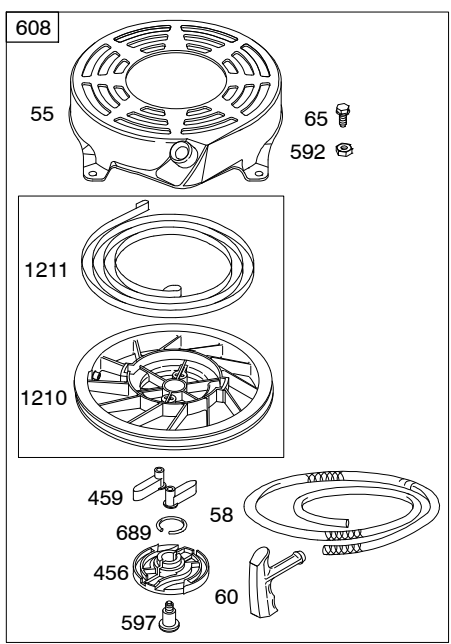
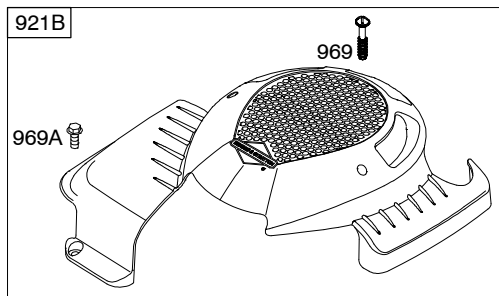
Illustrations cover a range of engines. Parts shown without corresponding text may not be used on your specific engine.
6537-4 Assemblies include all parts shown in frames. **05/28/2008**



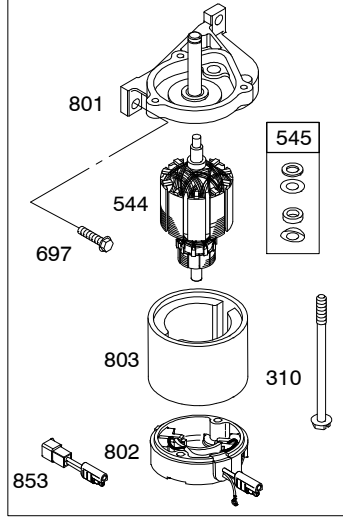
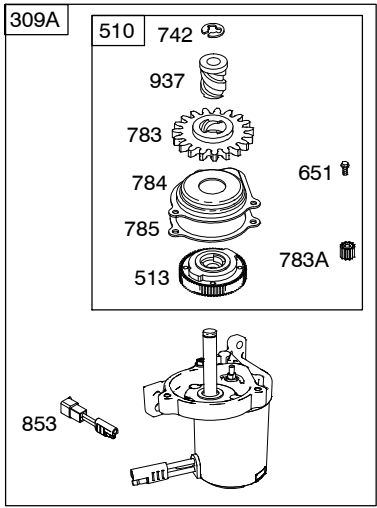
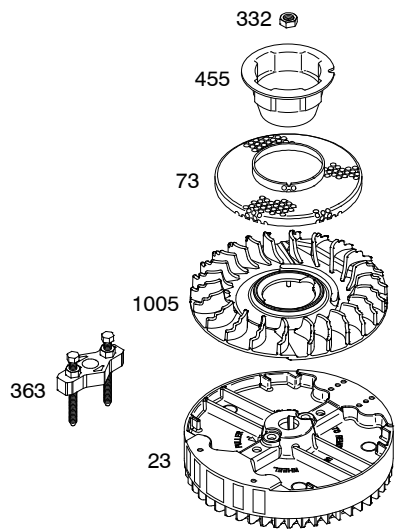
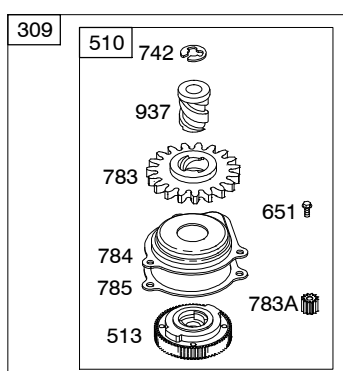
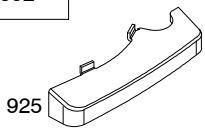
Illustrations cover a range of engines. Parts shown without corresponding text may not be used on your specific engine.



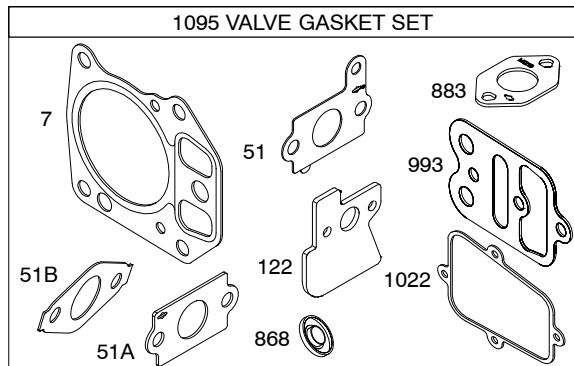
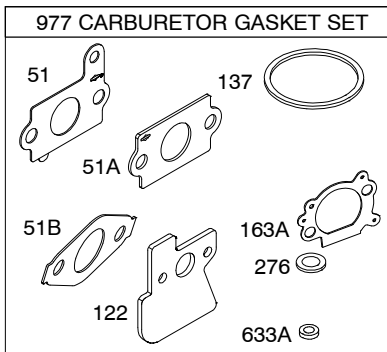
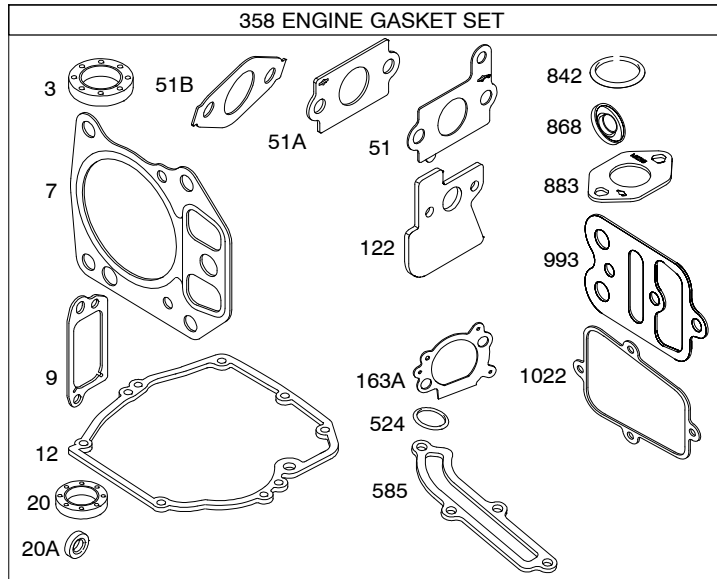
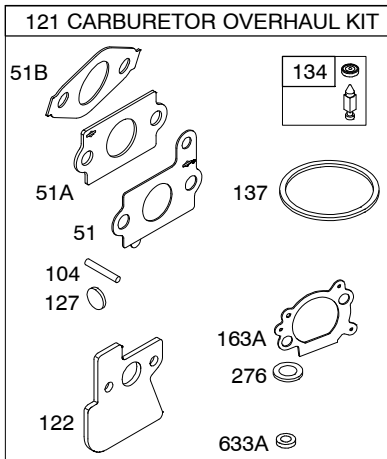
Illustrations cover a range of engines. Parts shown without corresponding text may not be used on your specific engine.
6537-6 Assemblies include all parts shown in frames. **05/28/2008**



1036 EMISSIONS LABEL



Illustrations cover a range of engines. Parts shown without corresponding text may not be used on your specific engine.



Illustrations cover a range of engines. Parts shown without corresponding text may not be used on your specific engine.

REF. NO.	PART NO.	DESCRIPTION	REF. NO.	PART NO.	DESCRIPTION	REF. NO.	PART NO.	DESCRIPTION
1	790363	Cylinder Assembly (Used After Code Date 04040400). ----- Note ----- 499678 Cylinder-Assembly (Used Before Code Date 04040500).	16	691457	Crankshaft ----- Note ----- 693291 Crankshaft Used on Type No(s). 0117, 0158, 0163. 692823 Crankshaft Used on Type No(s). 0121. 692716 Crankshaft Used on Type No(s). 0126, 0127. 691456 Crankshaft Used on Type No(s). 0100, 0105, 0114, 0119, 0124, 0136, 0144, 0145, 0146, 0149, 0159, 0162, 0164.	25	795429	Piston Assembly (Standard) (Used After Code Date 07090300). ----- Note ----- 792004 Piston Assembly (Standard) (Used Before Code Date 07090400). 795430 Piston Assembly (.020" Oversize) (Used After Code Date 07090300). 791325 Piston Assembly (.020" Oversize) (Used Before Code Date 07090400).
2	399269	Kit-Bushing/Seal (Magneto Side)	17	692517	Bearing-Ball	26	795431	Ring Set (Standard) (Used After Code Date 07090300). ----- Note ----- 791969 Ring Set (Standard) (Used After Code Date 05030700 and Before Code Date 07090400). 499631 Ring Set (Standard) (Used Before Code Date 05030800). 795432 Ring Set (.020" Oversize) (Used After Code Date 07090300). 791324 Ring Set (.020" Oversize) (Used After Code Date 05030700 and Before Code Date 07090400). 692786 Ring Set (.020" Oversize) (Used Before Code Date 05030800).
3	★299819S	Seal-Oil (Magneto Side)	20	★399781S	Seal-Oil (PTO Side)			
4	493279	Sump-Engine	20A	★691952	Seal-Oil (PTO Side) (Auxiliary PTO)			
4A	493365	Sump-Engine (Auxiliary PTO)	22	691092	Screw (Crankcase Cover/Sump)			
4B	692509	Sump-Engine	23	697610	Flywheel ----- Note ----- 692693 Flywheel Used on Type No(s). 0127, 0130, 0133, 0140. 692987 Flywheel Used on Type No(s). 0121. 697637 Flywheel Used on Type No(s). 0148.			
5	795501	Head-Cylinder (Used After Code Date 05110100). ----- Note ----- 695276 Head-Cylinder (Used Before Code Date 05110200).	24	222698S	Key-Flywheel			
7	★Δ695166	Gasket-Cylinder Head						
8	495786	Breather Assembly						
9	★699833	Gasket-Breather						
10	691125	Screw (Breather Assembly)						
11	499675	Tube-Breather						
12	★692232	Gasket-Crankcase						
13	691137	Screw (Cylinder Head)						
15	691680	Plug-Oil Drain (Square Socket)						
15A	691093	Plug (Hex Socket)						

★ Included in Engine Gasket Set-Ref. No.358.

● Included in Carburetor Overhaul Kit-Ref. No. 121.

◆ Included in Carburetor Gasket Set-Ref. No. 977.

Δ Included in Valve Gasket Set-Ref. No 1095.

Illustrations cover a range of engines. Parts shown without corresponding text may not be used on your specific engine.

125600

REF. NO.	PART NO.	DESCRIPTION	REF. NO.	PART NO.	DESCRIPTION	REF. NO.	PART NO.	DESCRIPTION
27	691866	Lock-Piston Pin	78	691108	Screw (Flywheel Guard)	130	691203	Valve-Throttle ----- Note -----
28	499423	Pin-Piston	83	691778	Shaft-Auxiliary Drive ----- Note -----			696564 Valve-Throttle (Used With Plastic Throttle Shaft)
29	499424	Rod-Connecting			690524 Shaft-Auxiliary Drive Used on Type No(s). 0112, 0128.	133	398187	Float-Carburetor
32	691664	Screw (Connecting Rod)			690522 Shaft-Auxiliary Drive Used on Type No(s). 0144, 0157.	134	●398188	Kit-Needle/Seat
32A	695759	Screw (Connecting Rod) (Used After Code Date 00042200).	95	691636	Screw (Throttle Valve)	137	●693981	Gasket-Float Bowl
33	499642	Valve-Exhaust	97	499682	Shaft-Throttle (Metal) ----- Note -----	146	690979	Key-Timing
34	499641	Valve-Intake			790121 Shaft-Throttle (Plastic)	163A	●692667	Gasket-Air Cleaner
35	691304	Spring-Valve (Intake)	101	691623	Pin-Shaft	187	791766	Line-Fuel (Cut to Required Length)
36	691304	Spring-Valve (Exhaust)	104	●691242	Pin-Float Hinge	188	691147	Screw (Control Bracket)
37	694086	Guard-Flywheel	117	498981	Jet-Main (Standard) (Used After Code Date 03110600). ----- Note -----	190	690940	Screw (Fuel Tank)
40	692194	Retainer-Valve			498978 Jet-Main (Standard) (Used Before Code Date 03110700).	192	694543	Adjuster-Rocker Arm
43	691997	Slinger-Governor/Oil	118	497466	Jet-Main (High Altitude) (Used After Code Date 03110600). ----- Note -----	202	691303	Link-Mechanical Governor
43A	692505	Slinger-Governor/Oil Used on Type No(s). 0142.			498975 Jet-Main (High Altitude) (Used Before Code Date 03110700).	209A	691291	Spring-Governor ----- Note -----
45	690977	Tappet-Valve			Kit-Carburetor Overhaul			691851 Spring- Governor Used on Type No(s). 0100, 0117, 0142, 0145, 0147.
46	694039	Camshaft			122 ●●●692799			690319 Spring- Governor Used on Type No(s). 0118, 0133, 0157, 0158.
46A	694037	Camshaft (Counterclockwise)			122A 792382			691292 Spring- Governor Used on Type No(s). 0123, 0163.
46B	694040	Camshaft Used on Type No(s). 0142.			125 790120			
51	●●●692668	Gasket-Intake			127 ●694468			
51A	●●●697735	Gasket-Intake						
51B	●●●692555	Gasket-Intake						
55	691421	Housing-Rewind Starter						
58	697316	Rope-Starter (Cut To Required Length)						
60	281434S	Grip-Starter Rope						
65	690837	Screw (Rewind Starter)						
73	691222	Screen-Rotating ----- Note ----- 691221 Screen- Rotating Used on Type No(s). 0148.						

★ Included in Engine Gasket Set-Ref. No.358.

● Included in Carburetor Overhaul Kit-Ref. No. 121.

◆ Included in Carburetor Gasket Set-Ref. No. 977.

△ Included in Valve Gasket Set-Ref. No 1095.

Illustrations cover a range of engines. Parts shown without corresponding text may not be used on your specific engine.

REF. NO.	PART NO.	DESCRIPTION	REF. NO.	PART NO.	DESCRIPTION	REF. NO.	PART NO.	DESCRIPTION
222A	792402	Bracket-Control (Used After Code Date 05110100). ----- Note ----- 693378 Bracket- Control (Used Before Code Date 05110200).	287	690940	Screw (Dipstick Tube)	337	692051	Plug-Spark (Resistor)
			300	694248	Muffler			----- Note -----
			300B	699769	Muffler			692720 Plug-Spark (EMS)
			304	499676	Housing-Blower ----- Note ----- 499677 Housing- Blower Used on Type No(s). 0105, 0115, 0119, 0126, 0133, 0134, 0140, 0142, 0144, 0157, 0158, 0161, 0162, 0164. 695976 Housing- Blower (Used After Code Date 06081300). Used on Type No(s). 0123, 0163. 499677 Housing- Blower (Used Before Code Date 06081400). Used on Type No(s). 0123.	356	692390	Wire-Stop
222B	792403	Bracket-Control (Used After Code Date 05110100). Used on Type No(s). 0100, 0105, 0118, 0119, 0134, 0142, 0144, 0157, 0158, 0161, 0162, 0164. ----- Note ----- 692672 Bracket- Control (Used Before Code Date 05110200). Used on Type No(s). 0100, 0105, 0118, 0119, 0134, 0142, 0144, 0157, 0158, 0161, 0162.				356B	692151	Wire-Stop
						357	692191	Key-Drive Pulley
						358	792384	Gasket Set-Engine
						363	19069	Puller-Flywheel
						365	691129	Screw (Carburetor) (Used After Code Date 05110100). ----- Note ----- 691136 Screw (Carburetor) (Used Before Code Date 05110200).
			305	691108	Screw (Blower Housing)	374	691074	Washer (Camshaft)
227	691467	Lever-Governor Control	306	691232	Shield-Cylinder	383	19374S	Wrench-Spark Plug
238	691300	Cap-Valve	307	690345	Screw (Cylinder Shield)	404	690272	Washer (Governor Crank)
265	690798	Clamp-Casing				425	690670	Screw (Air Cleaner Cover)
265A	691024	Clamp-Casing	309	695550	Motor-Starter (Used Before Code Date 07052900).	443	692523	Screw (Air Cleaner Primer Base)
267	691044	Screw (Casing Clamp)				443A	691637	Screw (Air Cleaner Primer Base)
268	691025	Casing-Control Wire (Cut To Required Length)	309A	795092	Motor-Starter (Used After Code Date 07052800).	445	491588S	Filter-Air Cleaner Cartridge
269	691026	Wire-Control (Cut To Required Length)	310	692327	Bolt (Starter Motor)	455	791960	Cup-Flywheel
270	691027	Nut (Control Wire Casing)	332	690662	Nut (Flywheel)	456	692299	Plate-Pawl Friction
271	691028	Lever-Control	333	802574	Armature-Magneto	459	281505S	Ratchet-Pawl
276	◆271716	Washer-Sealing	334	691061	Screw (Magneto Armature)	474A	695730	Alternator
						505	691251	Nut (Governor Control Lever)
						510	795093	Drive-Starter
						513	692358	Clutch-Drive

★ Included in Engine Gasket Set-Ref. No.358.

● Included in Carburetor Overhaul Kit-Ref. No. 121.

◆ Included in Carburetor Gasket Set-Ref. No. 977.

△ Included in Valve Gasket Set-Ref. No 1095.

Illustrations cover a range of engines. Parts shown without corresponding text may not be used on your specific engine.

125600

REF. NO.	PART NO.	DESCRIPTION	REF. NO.	PART NO.	DESCRIPTION	REF. NO.	PART NO.	DESCRIPTION
523	499621	Dipstick	676	397931	Deflector-Muffler	785	692352	Gasket-Starter Cover
524	★692296	Seal-Dipstick Tube	676C	497682	Deflector-Muffler	789A	696546	Harness-Wiring
525	495265	Tube-Dipstick	677	690661	Screw (Muffler Deflector)	801	690782	Cap-Drive
529A	691923	Grommet	684	690345	Screw (Breather Passage Cover)	802	695267	Cap-End
544	690786	Armature-Starter	689	691855	Spring-Friction	803	695266	Housing-Starter
545	492919	Washer Set (Starter Motor)	697	691127	Screw (Drive Cap)	830	694544	Stud-Rocker Arm
562	691119	Bolt (Governor Control Lever)	715	691147	Screw (Stop Shaft)	832	691466	Guard-Muffler
564	693808	Screw (Control Cover)	718	690959	Pin-Locating	832C	695593	Guard-Muffler
578	398153	Wire Assembly	721	690449	Shaft-Stop	836	691147	Screw (Muffler Guard)
584	697734	Cover-Breather Passage	737	692511	Screw (Oil Filter Adapter)	836A	697551	Screw (Muffler Guard)
585	★691879	Gasket-Breather Passage	741	794388	Gear-Timing (Use Without Woodruff Key)	842	★691031	Seal-O Ring (Dipstick Tube)
592	690800	Nut (Rewind Starter)				843	691884	Sleeve-Lever
597	691696	Screw (Pawl Friction Plate)				847	692047	Dipstick/Tube Assembly
601	791850	Clamp-Hose				851	493880S	Terminal-Spark Plug
601A	691038	Clamp-Hose				853	695268	Adaptor-Wire
604	692669	Cover-Control				868	★△692044	Seal-Valve
608	497680	Starter-Rewind				883	★△691893	Gasket-Exhaust
613	691108	Screw (Muffler)				886	696268	Gasket Kit-Cylinder Head/Plate
613A	691140	Screw (Muffler)				914	691108	Screw (Rocker Cover)
615	690340	Retainer-Governor Shaft	742	93941	Retainer-E-Ring	921B	697921	Cover-Blower Housing
616	698801	Crank-Governor	743	691772	Gear-Drive (Counterclockwise)	922	691831	Spring-Brake ----- Note -----
619	691108	Screw (Cylinder Head Plate)						692135 Spring-Brake Used on Type No(s). 0100, 0163.
621	692310	Switch-Stop						692135 Spring-Brake (Used After Code Date 06081300). Used on Type No(s). 0123.
633A◆	691321	Seal-Choke/Throttle Shaft	745	691648	Screw (Brake)			691831 Spring-Brake (Used Before Code Date 06081400). Used on Type No(s). 0123.
635	66538S	Boot-Spark Plug	750	691683	Screw (Oil Pump Cover)			
651	690345	Screw (Starter Gear Cover)	783	691918	Gear-Pinion			
670	692294	Spacer-Fuel Tank	783A	691269	Gear-Pinion			
			784	795095	Cover-Starter Gear			

★ Included in Engine Gasket Set-Ref. No.358.

● Included in Carburetor Overhaul Kit-Ref. No. 121.

◆ Included in Carburetor Gasket Set-Ref. No. 977.

△ Included in Valve Gasket Set-Ref. No 1095.

Illustrations cover a range of engines. Parts shown without corresponding text may not be used on your specific engine.

REF. NO.	PART NO.	DESCRIPTION	REF. NO.	PART NO.	DESCRIPTION	REF. NO.	PART NO.	DESCRIPTION
923	691994	Brake ----- Note ----- 695891 Brake Used on Type No(s). 0100, 0163. 695891 Brake (Used After Code Date 06081300). Used on Type No(s). 0123. 691994 Brake (Used Before Code Date 06081400). Used on Type No(s). 0123.	930A	692675	Guard-Rewind	1019	695247	Kit-Label
			937	691325	Spline-Starter	1022	★△691890	Gasket-Rocker Cover
			943	692514	Seal-O Ring (Oil Pump Cover)	1023	499624	Cover-Rocker
			957	692046	Cap-Fuel Tank (Plastic)	1024	692508	Pump-Oil
			958	698183	Valve-Fuel Shut Off (Plastic)	1026	692045	Rod-Push
			965	692507	Cover-Oil Pump	1055	692623	Tube-Oil Pump
			966	692673	Base-Air Cleaner Primer	1058	277102	Operator's Manual
			967	493537S	Filter-Pre Cleaner	1059	692311	Kit-Screw/Washer
			968	692298	Cover-Air Cleaner	1095	792386	Gasket Set-Valve
			969	691138	Screw (Blower Housing Cover)	1119	691183	Screw (Alternator)
925	795403	Cover-Linkage (Used After Code Date 07072200). ----- Note ----- 690595 Cover- Linkage (Used Before Code Date 07072300).	969A	697922	Screw (Blower Housing Cover)	1210	498144	Pulley/Spring Assembly
			972	699374	Tank-Fuel (Plastic)	1027	692513	Filter-Oil
			975	493640	Bowl-Float	1028	692516	Adapter-Oil Filter
			976	694395	Primer-Carburetor	1029	691230	Arm-Rocker
930	691919	Guard-Rewind ----- Note ----- 499679 Guard-Rewind Used on Type No(s). 0148.	977	792385	Gasket Set-Carburetor	1034	691343	Guide-Push Rod
			988	692515	Gasket-Oil Adapter	1036		Label-Emissions (Available From A Briggs & Statton Authorized Dealer) (Pulley)
			993	★△694088	Gasket-Cylinder Head Plate	1211	498144	Pulley/Spring Assembly (Spring)
			1005	691346	Fan-Flywheel	1319	794467	Label-Warning
						1330	272147	Manual-Repair

★ Included in Engine Gasket Set-Ref. No.358.

● Included in Carburetor Overhaul Kit-Ref. No. 121.

◆ Included in Carburetor Gasket Set-Ref. No. 977.

△ Included in Valve Gasket Set-Ref. No 1095.

Illustrations cover a range of engines. Parts shown without corresponding text may not be used on your specific engine.