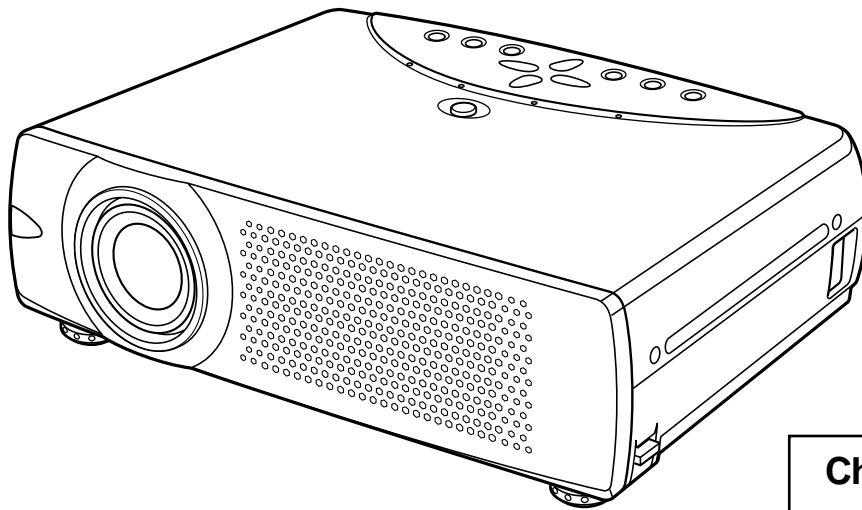


SERVICE MANUAL

SERVICE MANUAL

ORIGINAL VERSION

BOXLIGHT CP-300t CP-310t



**Chassis No. MS6-CP-300t00
MS6-CP-310t00**

NOTE: Match the Chassis No. on the unit's back cover with the Chassis No. in the Service Manual.

If the Original Version Service Manual Chassis No. does not match the unit's, additional Service Literature is required. You must refer to "Notices" to the Original Service Manual prior to servicing the unit.

BOXLIGHT®
Presenting a Better Way

PRODUCT CODE

MS6E CP-300t : 1 122 094 04

MS6L CP-310t : 1 122 094 10

REFERENCE NO. SM5110258


■ Safety instructions	3
■ Specifications	4
■ Note on Servicing	5
■ Adjustments after parts replacement	5
■ Circuit protections	6-7
● Fuse	6
● Thermal switch	6
● Interlock switch	6
● Warning temperature and power failure protection	7
■ Mechanical disassemblies	8-13
■ Optical parts disassemblies	14-17
■ LCD panel/prism ass'y replacement	19
■ Lamp replacement	20
■ Optical adjustments	21-24
● Contrast adjustment	21
● Condenser lens adjustment	22
● Condenser lens-Out adjustment	23
● Relay lens-Out adjustment	24
■ Electric adjustments	25-30
● Service adjustment menu operation	23
● Circuit adjustments	24-29
● Service adjustment data table	30-33
● Test points and locations	34
■ Troubleshooting	35-39
● No power	35-36
● No picture	37-38
● No sound	39
● Lens motor problems	39
■ Control port functions	40-43
■ Waveforms	44-45
■ Cleaning	46
■ IC block diagrams	47-54
■ Service parts lists	55-84
● Electrical parts list	55-77
● Mechanical parts list	78-79
● Optical parts list	80-84

Drawings & Diagrams A1-A15

■ Parts description and reading in schematic diagram	A2
■ Circuit block diagram	A3
■ Power supply lines	A4
■ Schematic diagrams	A5-A11
■ Printed wiring board diagrams	A12-A14
■ Pins description of ICs, transistors, diodes	A15

SAFETY PRECAUTIONS

WARNING:

The chassis of this projector is isolated (COLD) from AC line by using the converter transformer. Primary side of the converter and lamp power supply unit circuit is connected to the AC line and it is hot, which hot circuit is identified with the line () in the schematic diagram. For continued product safety and protection of personnel injury, servicing should be made with qualified personnel.

The following precautions must be observed.


- 1: An isolation transformer should be connected in the power line between the projector and the AC line before any service is performed on the projector.
- 2: Comply with all caution and safety-related notes provided on the cabinet back, cabinet bottom, inside the cabinet or on the chassis.
- 3: When replacing a chassis in the cabinet, always be certain that all the protective devices are installed properly, such as, control knobs, adjustment covers or shields, barriers, etc.

DO NOT OPERATE THIS PROJECTOR WITHOUT THE PROTECTIVE SHIELD IN POSITION AND PROPERLY SECURED.

- 4: Before replacing the cabinet cover, thoroughly inspect the inside of the cabinet to see that no stray parts or tools have been left inside.

Before returning any projector to the customer, the service personnel must be sure it is completely safe to operate without danger of electric shock.

PRODUCT SAFETY NOTICE

Product safety should be considered when a component replacement is made in any area of the projector. Components indicated by mark  in the parts list and the schematic diagram designate components in which safety can be of special significance. It is, therefore, particularly recommended that the replacement of these parts must be made by exactly the same parts.

SERVICE PERSONNEL WARNING

Eye damage may result from directly viewing the light produced by the Lamp used in this equipment. Always turn off Lamp before opening cover. The Ultraviolet radiation eye protection required during this servicing. Never turn the power on without the lamp to avoid electric-shock or damage of the devices since the stabilizer generates high voltages(15kV - 25kV) at its starts. Since the lamp is very high temperature during units operation replacement of the lamp should be done at least 45 minutes after the power has been turned off, to allow the lamp cool-off.

DO NOT ATTEMPT TO SERVICING THE REMOTE CONTROL UNIT.

Laser Beam may be leaked out when in disassemble the Unit. As the Laser Beam used in this Remote control unit is harmful to the eyes.

CAUTION



LASER RADIATION
DO NOT STARE INTO BEAM
MAX. OUTPUT: 1mW
WAVE LENGTH: 650±20nm
CLASS II LASER PRODUCT

This product is complied with 21 CFR
part 1040.10

LASER RADIATION
DO NOT STARE INTO BEAM
CLASS 2 LASER PRODUCT
LASER-STRAHLUNG
NICHT IN DEN STRAHL BLICKEN
LASER KLASSE 2
レーザー放射クラス2レーザー製品
ビームをのぞき込まないこと
IEC60825-1, Am.1 1997
MAX OUTPUT (最大出力) : 1 mW
WAVE LENGTH (波長) : 650±20nm

■ Specifications

Projector Type	Multi-media Projector
Dimensions (W x H x D)	13.11" x 3.52" x 9.07" (333mm x 89.5mm x 230.5mm)
Net Weight	8.6 lbs (3.9 kg)
LCD Panel System	0.9" TFT Active Matrix type, 3 panels
Panel Resolution	1024 x 768 dots
Number of Pixels	2,359,296 (1024 x 768 x 3 panels)
Color System	6 color system (PAL, SECAM, NTSC, NTSC4.43, PAL-M and PAL-N)
High Definition TV Signals	480i, 480p, 575i, 575p, 720p, 1035i and 1080i
Scanning Frequency	H-sync. 15 ~ 100kHz, V-sync. 50 ~ 100Hz
Projection Image Size (diagonal)	Adjustable from 31" to 300"
Horizontal Resolution	800 TV lines
Projection Lens	F 1.7 ~ 2.0 lens with f 37.4mm ~ 48.3mm with motor zoom and focus
Throw Distance	5.3' ~ 40.0' (1.6m ~ 12.2m)
Projection Lamp	200watts
AV Input Jacks	RCA Type x 3 (Video/Y, Cb/Pb, Cr/Pr) and Mini DIN 4 pin x 1(S-Video)
AV Audio Input Jacks	RCA Type x 2
Computer Input Jacks	(VGA) HDB15 Terminal x 1 and DVI 24 pin x 1
Computer Audio Jack	Mini Jack (stereo)
Control Port Connector	Mini DIN 8 pin x 1
USB Connector	USB B-plug for upstream, 4 pin
Audio Output Jacks	RCA Type x 2
Internal Audio Amp.	1.0watt RMS (monaural)
Built-in Speaker	1 speaker, 1.18" x 1.57" (30mm x 40mm)
Feet Adjustment	0° to 15.6°
Voltage and Power Consumption	AC 100 ~ 120V (3.6A Max. Ampere), 50/60Hz (The U.S.A. and Canada) AC 200 ~ 240V (1.8A Max. Ampere), 50/60Hz (Continental Europe)
Operating Temperature	41°F ~ 95°F (5°C ~ 35°C)
Storage Temperature	14°F ~ 140°F (-10°C ~ 60°C)
Remote Control Transmitters	Wireless Remote Control, batteries AA, UM3 or R06 Type x 2

● The specifications are subject to change without notice.



This symbol on the nameplate means the product is Listed by Underwriters Laboratories Inc. It is designed and manufactured to meet rigid U.L. safety standards against risk of fire, casualty and electrical hazards.

Adjustments after Parts Replacement

● : Adjustment necessary ○ : Check necessary

		Disassembly / Replaced Parts									
		LCD/ Prism Ass'y	Condenser Lens	Condenser Lens-Out	Relay Lens-Out	Polarized glass			P. F. Board	Power Board	Main Board
						R	G	B			
Optical Adjustments	Condenser lens adjustment	○	●								
	Condenser lens-out adjustment	○		●							
	Relay lens-out adjustment	○			●						
	Contrast Adjustment										
	R-Contrast adjustment					●					
	G-Contrast adjustment						●				
	B-Contrast adjustment							●			
Electrical Adjustments	Output voltage adjustment								●		
	Fan voltage adjustment									●	
	Pedestal adjustment									●	
	NRS adjustment									●	
	Signal center adjustment									●	
	Black level adjustment									●	
	PC offset adjustment									●	
	PC gain adjustment									●	
	AV gain adjustment									●	
	Common center adjustment	●								●	
	Gamma shift adjustment	○								●	
	White balance adjustment	○								○	

■ Circuit Protections

This projector is equipped with the following circuit protections to operate in safety. If the abnormality occurs inside the projector, it will automatically turn off by operating one of the following protection circuits.

● Fuse

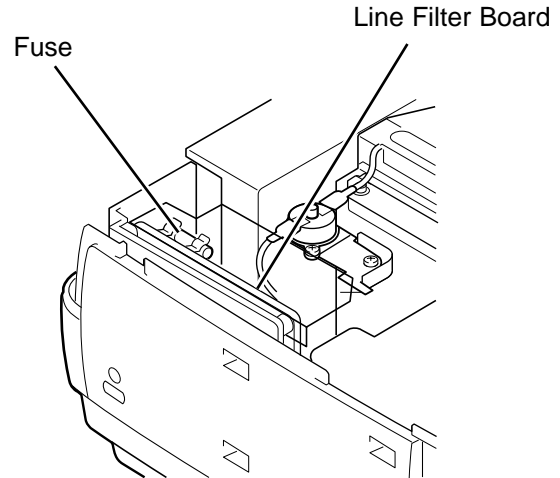
The fuse is located inside of the projector. When either the LAMP indicator or the READY indicator is not illuminated, fuse may be opened. Check the fuse as following steps.

It should be used the specified fuse as follows;

Fuse Part No.: 423 022 2102
TYPE T4.0AH 250V FUSE
LITTLE FUSE INC. TYPE 215004

How to replace the fuse

1. Remove the cabinet top following to “Mechanical Disassemblies”.
 2. Remove the fuse from fuse holder.
- To install the fuse, take reversed step in the above.



● Thermal switch

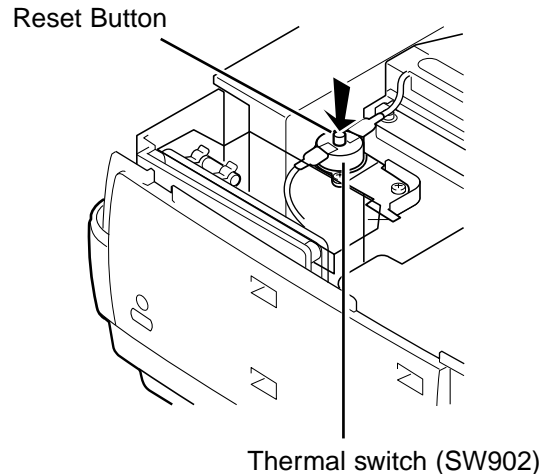
There is the thermal switch (SW902) inside of the projector to prevent the internal temperature from rising abnormally. When the internal temperature reaches near 100°C, turn off the AC main power supply automatically.

The thermal switch is not reset to normal automatically even if the internal temperature becomes normal. Reset the thermal switch following procedure.

Check the resistance between terminals of thermal switch by using the tester. If it has high impedance, thermal switch may be in operative.

How to reset the thermal switch

1. Remove the cabinet top following to “Mechanical Disassemblies”.
2. Press the reset button on the thermal switch.

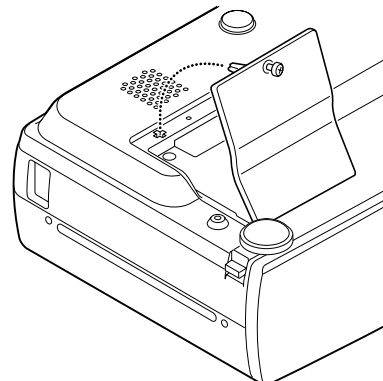


CAUTION:

Before press the reset button, disconnect the AC cord from the projector.

● Interlock switch

The interlock switch (SW904) cuts off the AC mains power supply when the lamp cover is removed. After opening the lamp cover for replacing the lamp ass'y, place the lamp cover correctly otherwise the projector can not turn on.



● Warning temperature and power failure protection

The TEMP WARNING indicator flashes red and the projector will automatically turn off when the internal temperature of the projector exceeds the normal temperature or when stopping cooling fans or when the internal power supply lines are failed.

Check the following possible causes and wait until stopping the TEMP WARNING indicator flashing.

Possible causes

- Air filter is clogged with dust particles. Remove dust from the air filter by following instructions in the “Air filter care and cleaning” below.
- Ventilation slots of the projector are blocked. In such an event, reposition the projector so that ventilation slots are not obstructed.
- Check if projector is used at higher temperature place (Normal operating temperature is 5 to 35 °C or 41 to 95°F)

If the TEMP WARNING indicator still continues to flash, there may be defects on cooling fans or power supply circuits. Please check fan operation and power supply lines referring to the “Power Supply Lines Chart”.

Air filter care and cleaning

The removable air filter prevents dust from accumulation on the surface of the projection lens and projection mirror. Should the air filter become clogged with dust particles, it will reduce the cooling fan’s effectiveness and may result in internal heat build up and reduce the life of the projector.

To clean up the air filter, follow the cleaning procedure below:

1. Turn the power off, and disconnect the AC power cord from the AC outlet.
2. Turn the projector up side down and remove an air filter by pulling the latches of them upward.
3. Clean the air filter with brush or wash out the dust and particles.
4. Replace the air filter properly. Make sure that the air filter is fully inserted.

CAUTION:

Do not operate the projector with the air filter removed. The dust is stuck on the LCD panel and the mirror, and it may spoil the fine picture image.

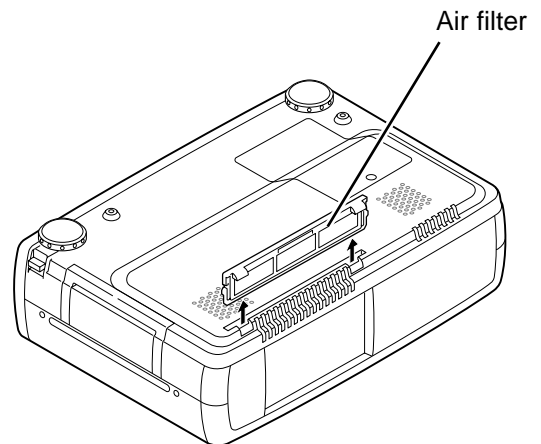
Do not put the small parts into the air intake vents. It may result in the malfunction of the projector. The air filter is small parts. Take care that children don’t eat or swallow it.

RECOMMENDATION

We recommend to avoid dusty, smoky place for operating the projector. Using in dusty place may cause the picture of poor quality.

When using under the dusty or smoky conditions, dust may accumulate on the LCD panel and lens inside it, and may resultantly be projected on the screen together with the picture.

When the above symptoms are noticed, please clean up the LCD panel and lens following to the “Cleaning Method”.



■ Mechanical Disassemblies

Mechanical disassemble should be made following procedures in numerical order. Following steps show the basic procedures, therefore unnecessary step may be ignored.

Caution:

The parts and screws should be placed exactly the same position as the original otherwise it may cause loss of performance and product safety.

1 Cabinet Top and Control Panel removal

- 1 Remove 4 screws **A** to take the Cabinet Top Ass'y upward off.
- 2 Remove the Control Panel off from the Cabinet Top by lifting the edge of control panel.

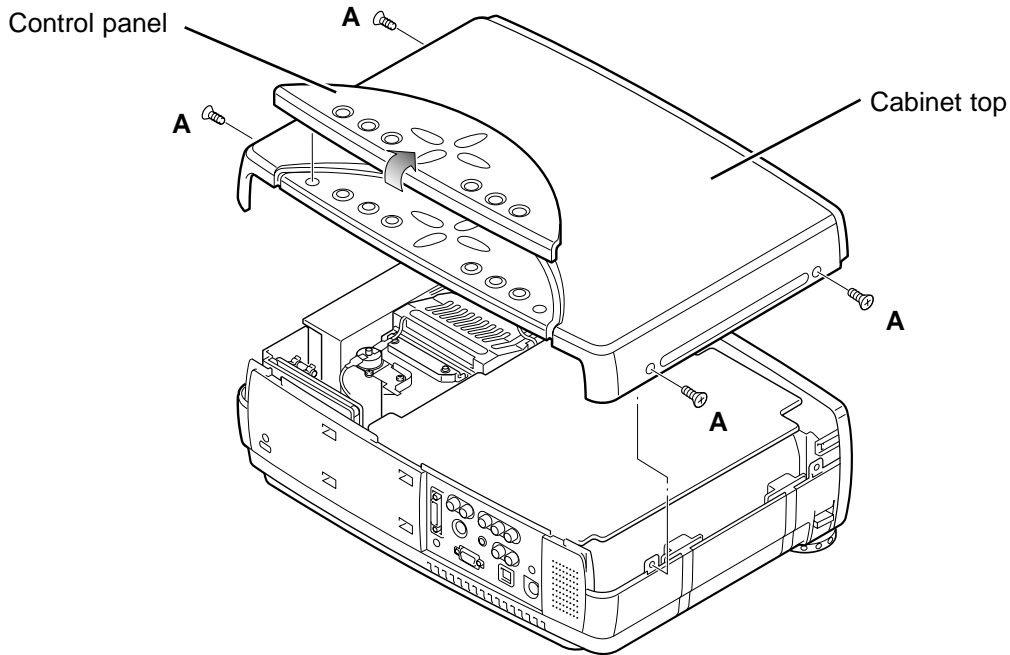


Fig.1

2 Main Board removal

- 1 Remove 8 screws to take the Main Board upward off.

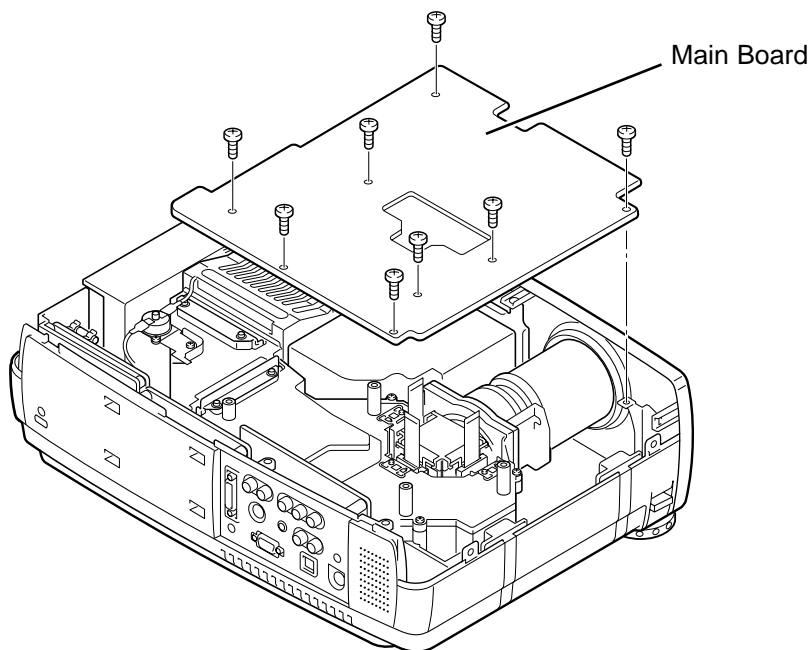


Fig.2

3 AV, DVI Board and Speaker removal

- 1 Remove 1 screw **A** to release grounding wires.
- 2 Pull the Rear Panel ass'y upward.
- 3 Remove 4 screws **B** for AV Board.
- 4 Remove 3 screws **C** for DVI Board.
- 5 Remove 4 screws **D** for Speaker.

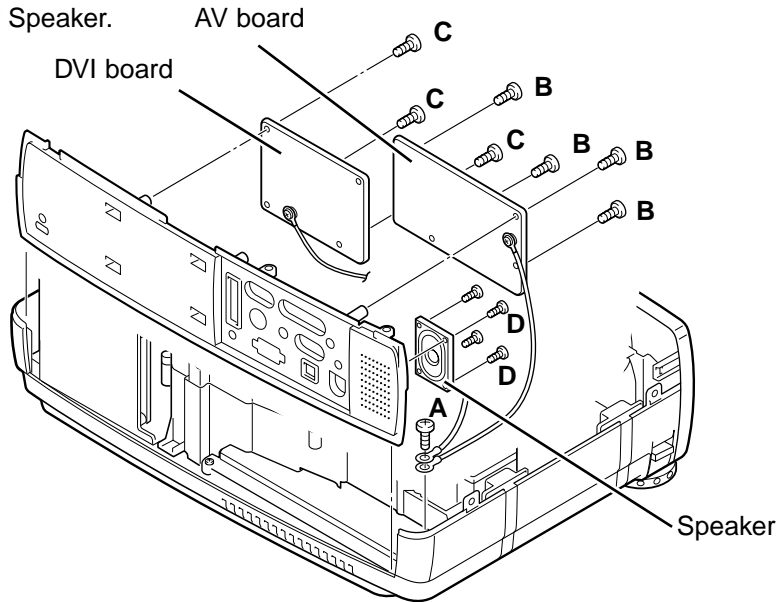


Fig.3

4 Front Panel and R/C Board removal

- 1 Remove 4 screws **A** and unhook 2 hooks **B** at the both of left and right side, and the take the Front Panel ass'y off.
- 2 Remove 1 screw **C** to take the R/C Board off.

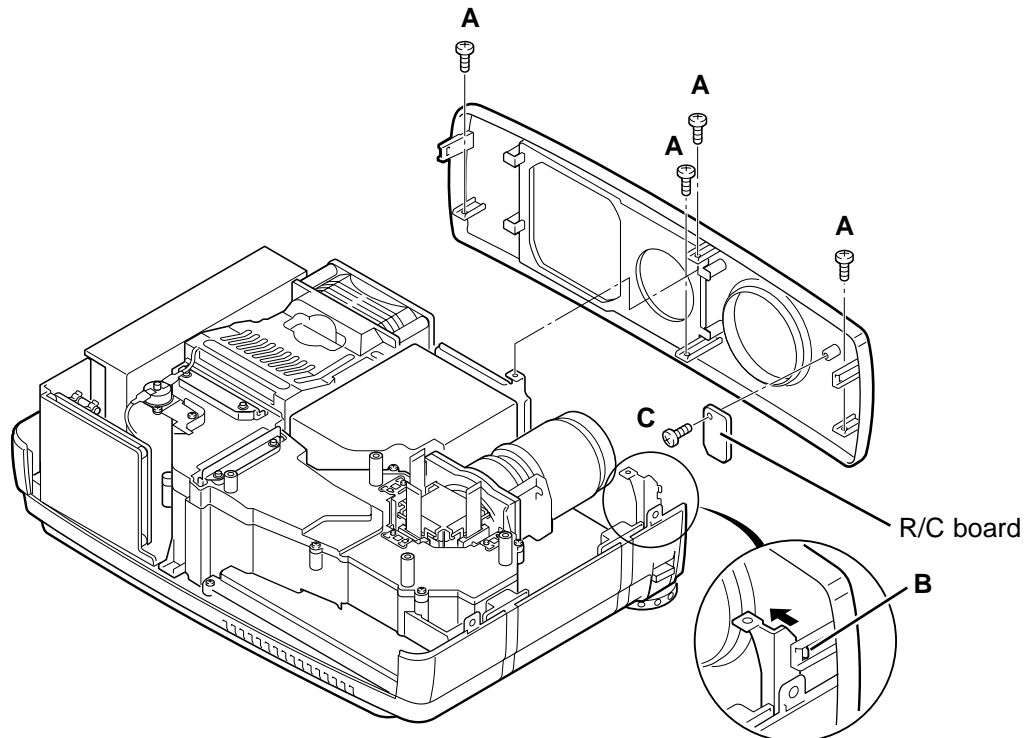


Fig.4

5 Lamp Ballast Unit removal

- 1 Remove 1 screw **A** and disconnect the Lamp Socket.
- 2 Remove 2 screws **B** to take the Lamp Ballast ass'y upward off.
- 3 Remove 4 screws **C** to take the Lamp Ballast Board off.

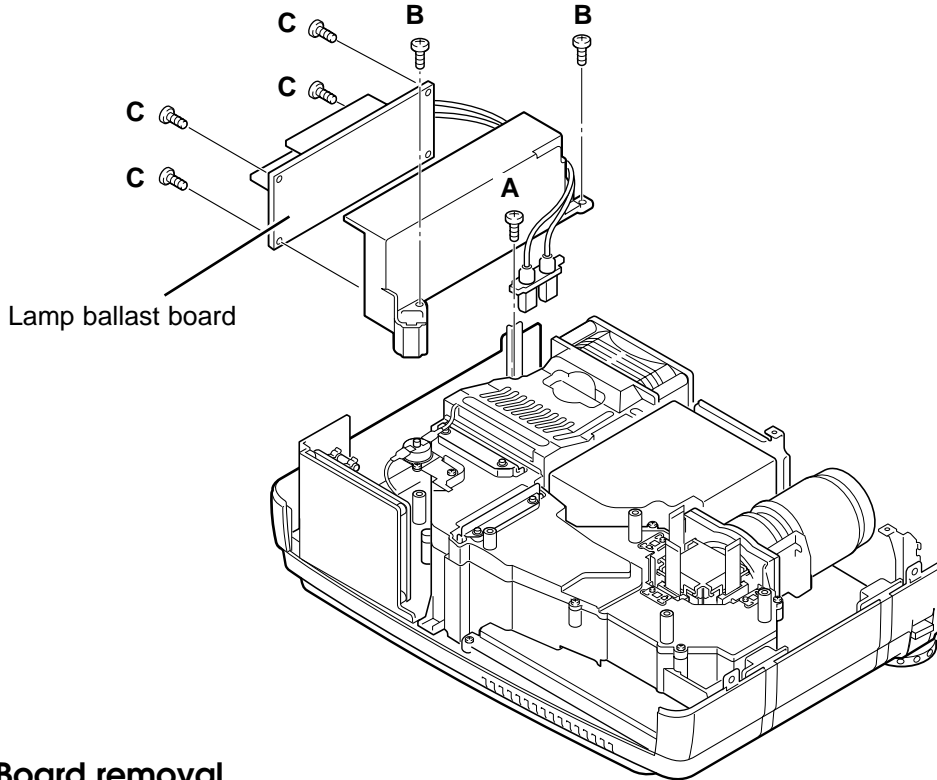


Fig.5

6 Filter Board removal

- 1 Remove 3 screws **A** and pull the Filter Board ass'y upward.
- 2 Remove 1 screw **B** to take the grounding lead from the cabinet bottom.
- 3 Remove 4 screws **C** to take the Filter Board off.

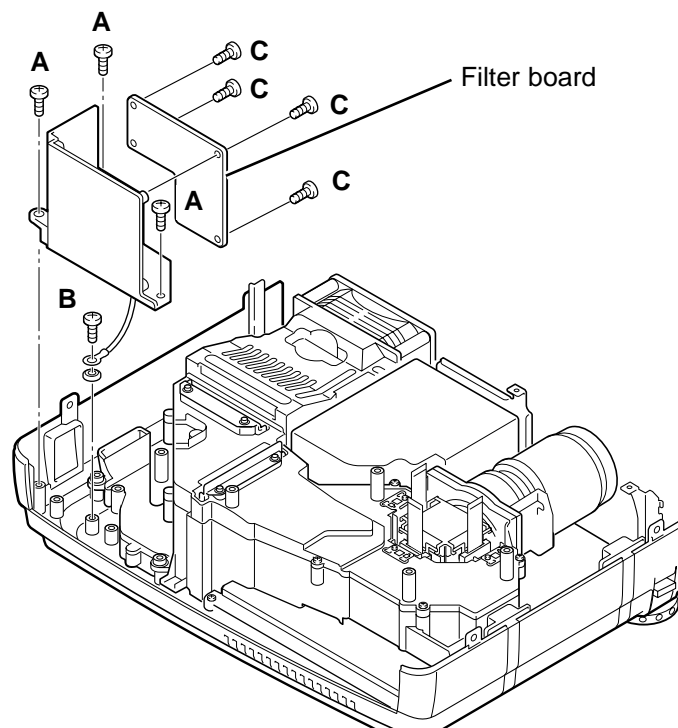


Fig.6

7 Power Box Cover and Fans(FN901, FN906) removal

- 1 Remove 4 screws **A** to take the Fan(FN901) off.
- 2 Remove 4 screws **B** to take the Fan(FN906) off.
- 3 Remove 3 screws **C** to take the Power Box Cover upward off.

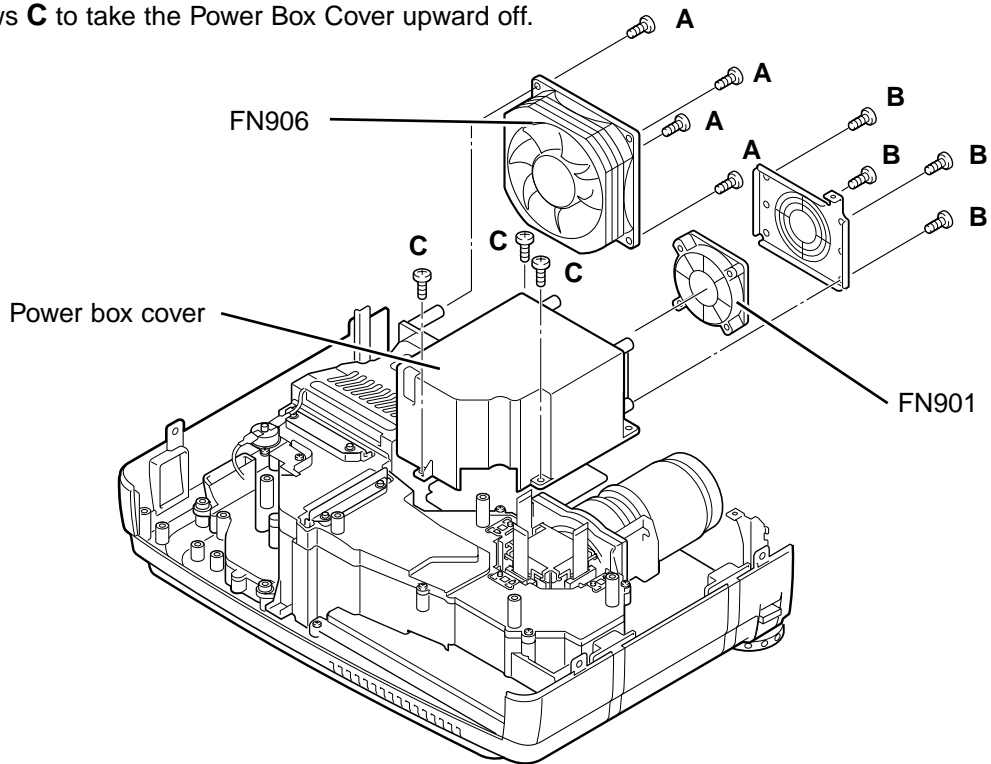


Fig.7

8-1 Optical Unit removal

- 1 Remove 1 screw **A** to take the Lamp Cover off.
 - 2 Loosen 3 screws **B** to take the Lamp assembly by pulling the handle.
- Step to next procedure.

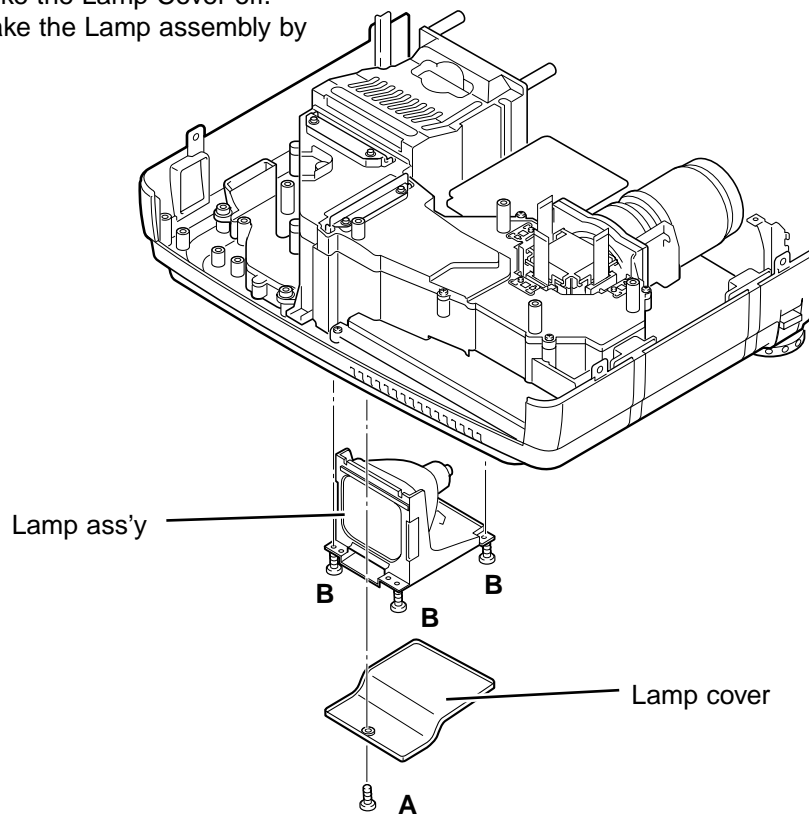


Fig.8-1

8-2 Optical Unit removal

Step from previous procedure.

- 3 Remove 6 screws **C** to take the Optical Unit upward off.
To mount optical unit, mount optical unit first then mount the Lamp assembly and Lamp Cover.

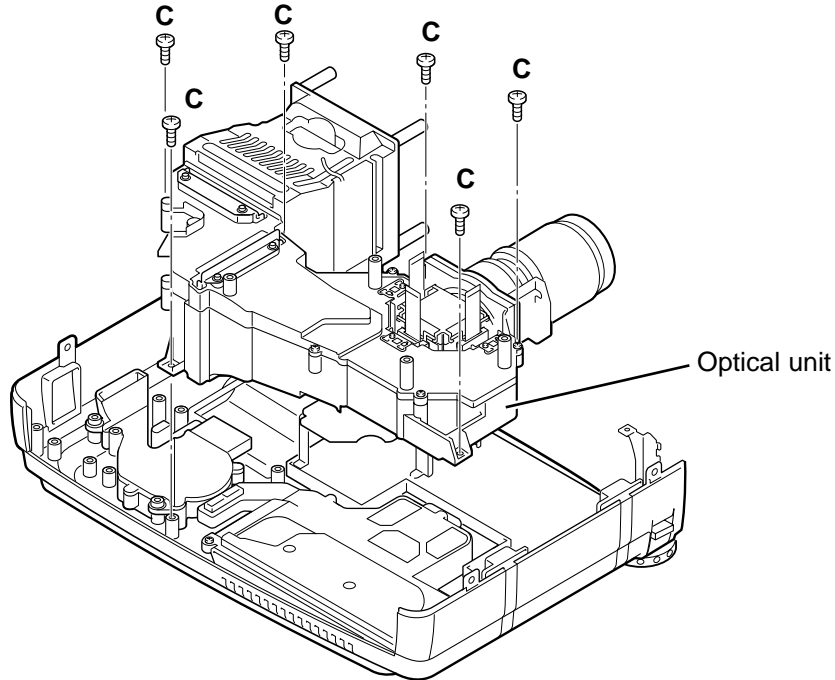


Fig.8-2

9 Power and P.F. Board removal

- 1 Remove 8 screws **A** to take the Power Board ass'y upward off.
- 2 Remove 4 screws **B** to take the P. F. Board from the Power Board.
- 3 Remove 3 screws **C** to take the Power Board holder from the Cabinet Bottom.

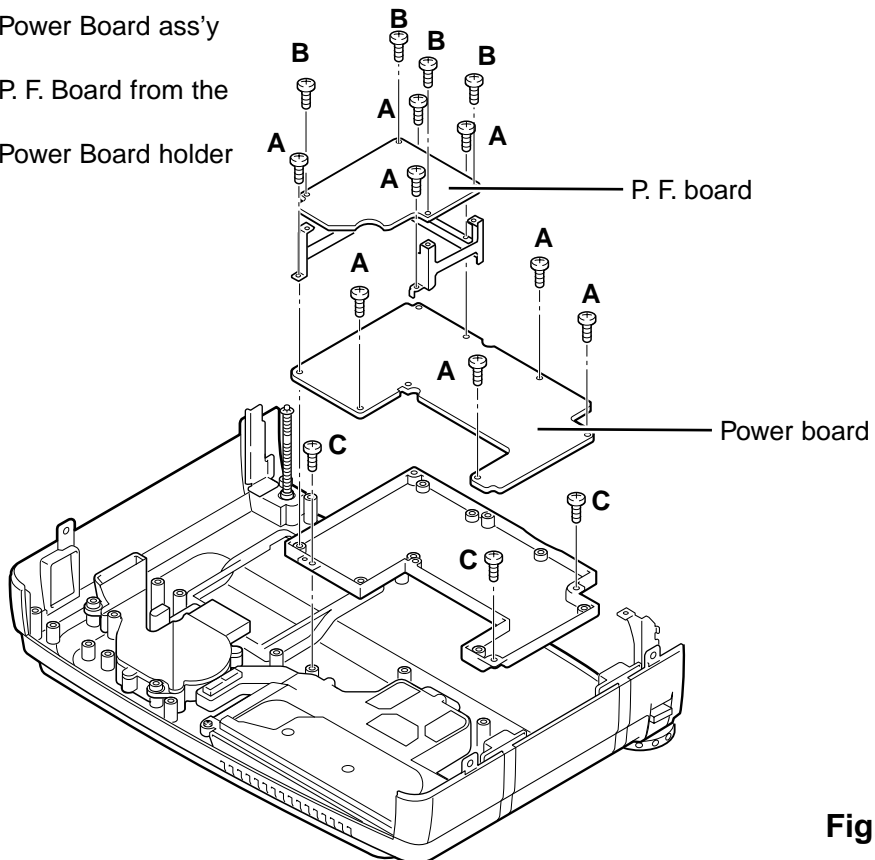


Fig.9

10 Fan (FN905) removal

- 1 Remove 1 screw **A** and take a Washer, Spring and Interlock Switch lever.
- 2 Pull the Fan and duct ass'y upward, then remove the 2 screws **B** to take the Fan (FN905) off.

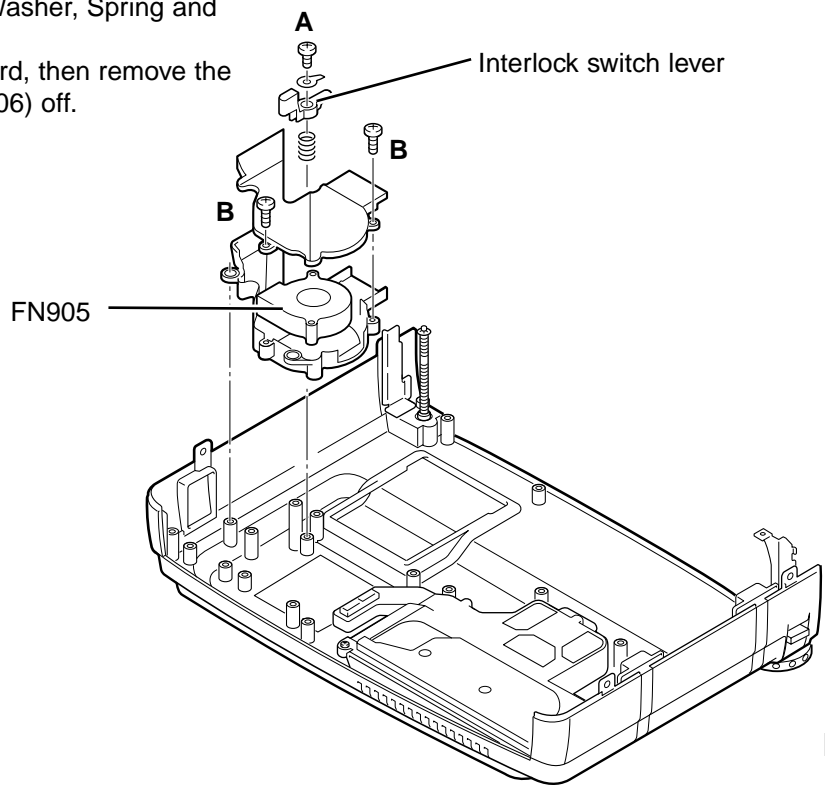


Fig.10

11 Temp Board and Fans (FN902, FN903, FN904) removal

- 1 Remove 1 screw **A** to take the Temp. Board off.
- 2 Remove 8 screws **B** and to take the Fan Duct Top off and remove the Fans (FN902, FN903, FN904).
- 3 Remove 4 screws **C** to take the Fan Duct Bottom off from the Cabinet Bottom.

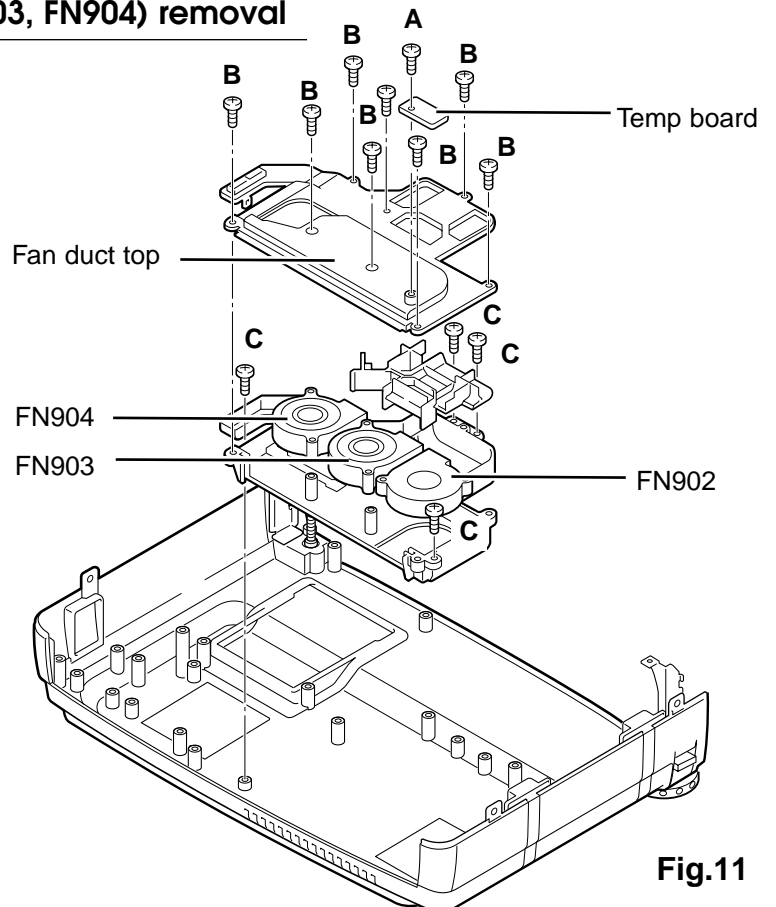


Fig.11

■ Optical Parts Disassemblies

Before taking this procedure, remove Cabinet Top and Main Board following to the “Mechanical Disassemblies”. Disassembly requires a 2.0mm hex wrench and a screwdriver.

Projection Lens removal

- 1 Remove the Front Panel following to “Front Panel Removal” on “Mechanical Disassemblies”.
- 2 Remove 4 screws to take the Projection Lens ass’y off.

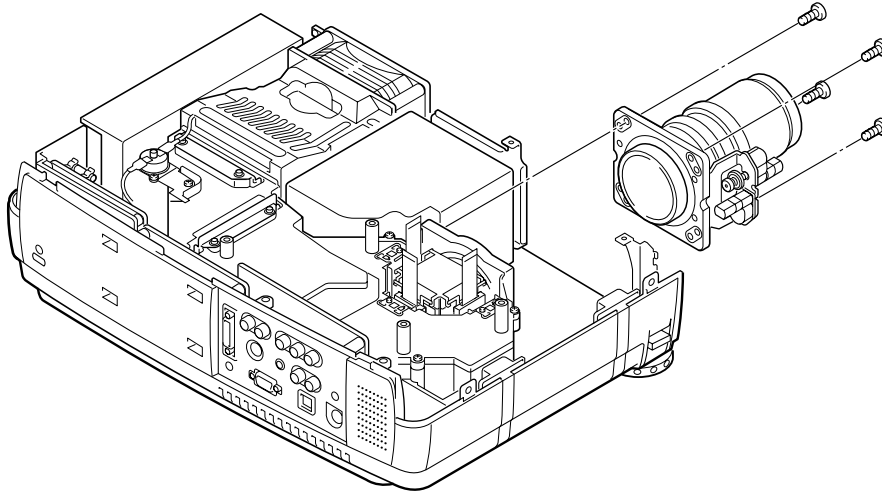


Fig.1

Integrator Lens-In disassembly

- 1 Remove 2 screws **A** and pull the Integrator Lens-In ass’y upward.
- 2 Remove 1 stopper **B** and then take the Lens off from the holder.

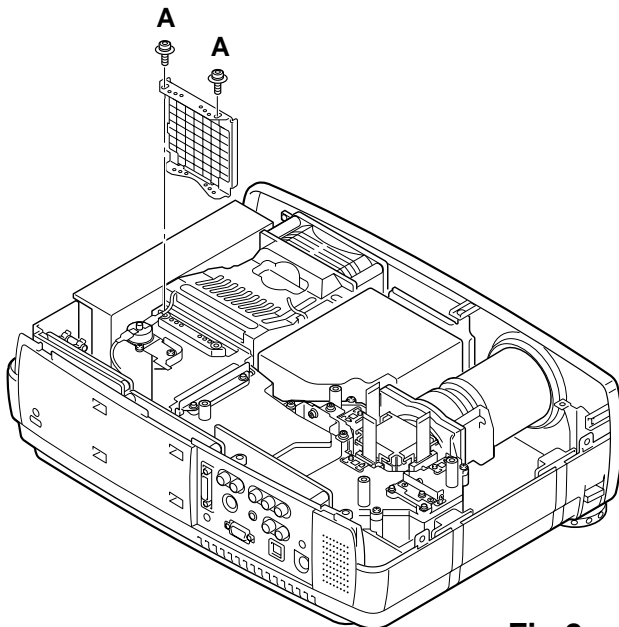


Fig.2-1

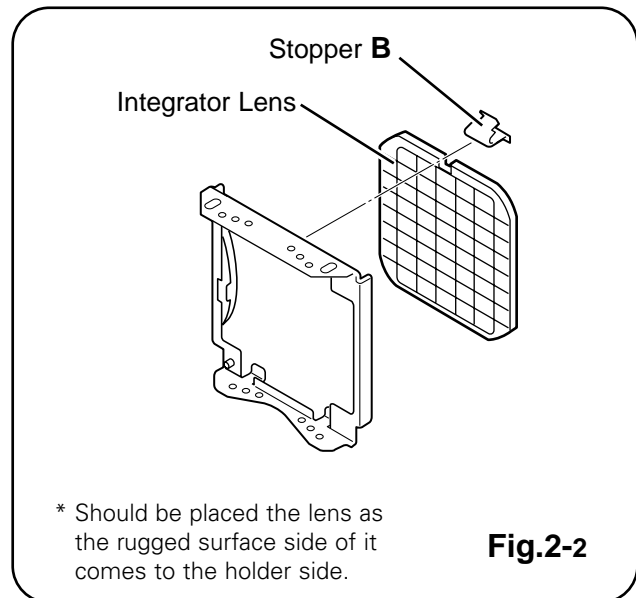


Fig.2-2

Condenser lens disassembly

- 1 Remove 2 screws **A** and pull the Condenser Lens ass'y upward.
- 2 Remove 4 screws **B** to take the Lens off from the holder.

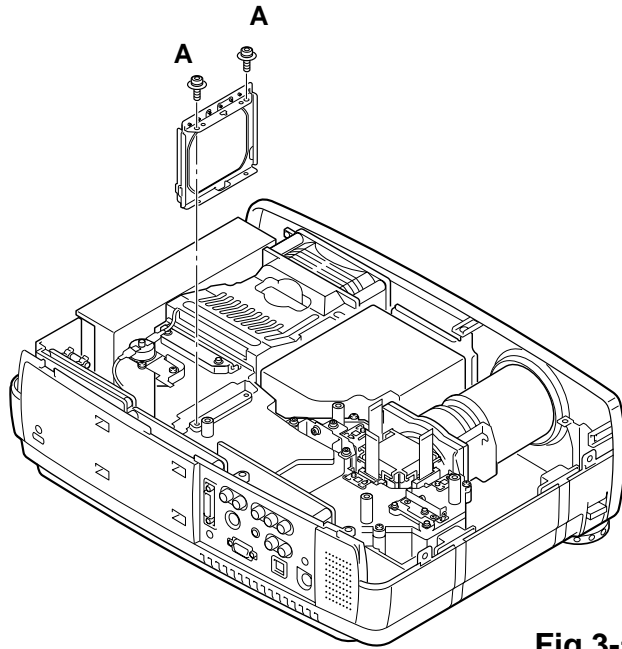


Fig.3-1

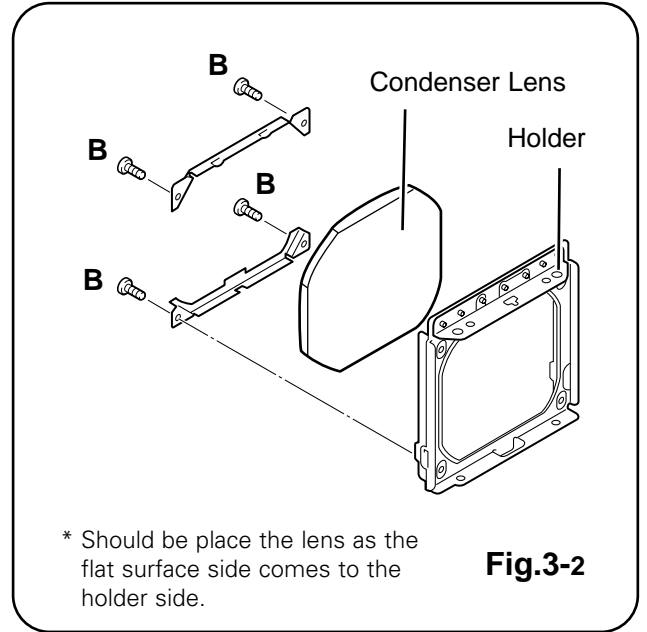


Fig.3-2

Condenser Lens-Out disassembly

- 1 Remove 2 screws **A** and pull the Condenser Lens-Out ass'y upward.
- 2 Remove 2 screws **B** to take the Lens off from the holder.

Note:
Should be place the lens as shown in the figure.

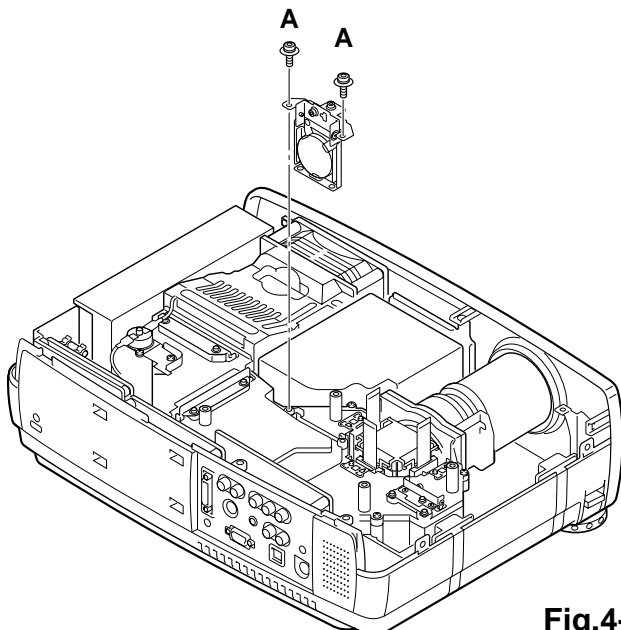


Fig.4-1

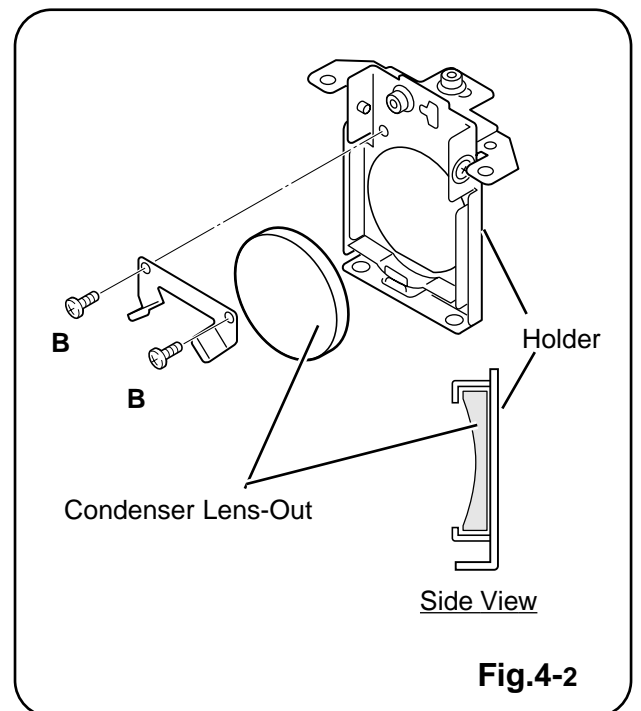


Fig.4-2

Relay Lens-Out disassembly

- 1 Remove 2 screws **A** and pull the Relay Lens-Out ass'y upward.
- 2 Remove 2 screws **B** to take the Lens off from the holder.

Note:

There is no mounting direction of the lens.

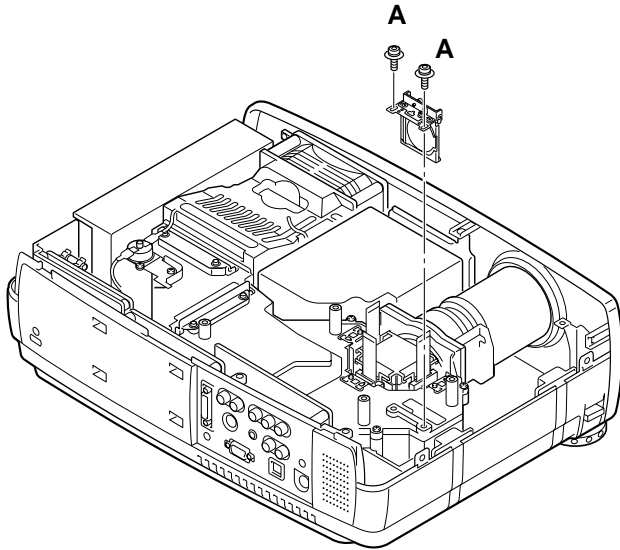


Fig.5-1

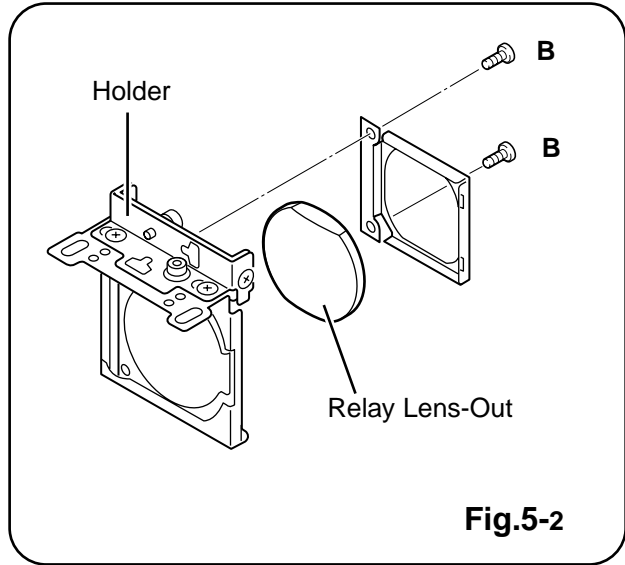


Fig.5-2

Polarized Glass-In removal

- 1 Remove each screw and pull the Polarized Glass-In ass'y upward.
- 2 Unhook the stoppers and take the glass off upward.

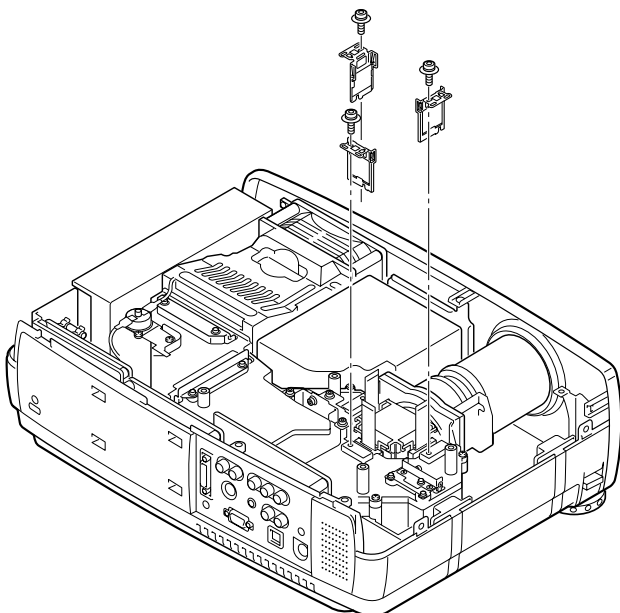


Fig.6-1

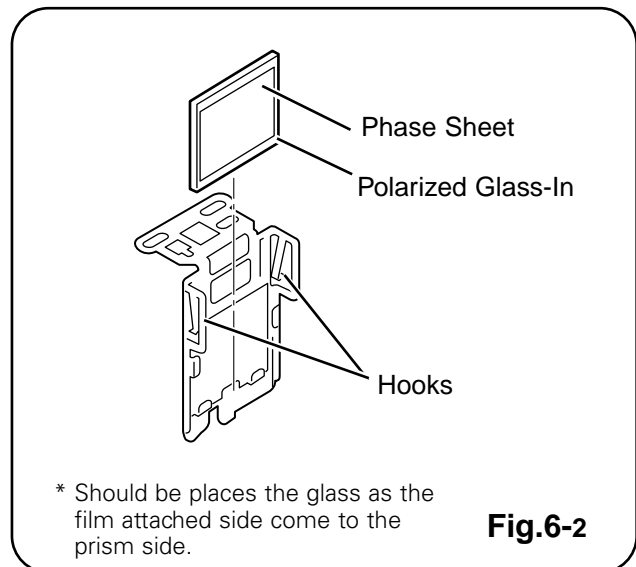


Fig.6-2

Polarized Glass-Out removal

- 1 Remove 4 screws **A** and take the LCD/Prism ass'y off upward from the optical unit.
- 2 Remove each screw **B** and take the glass off upward.

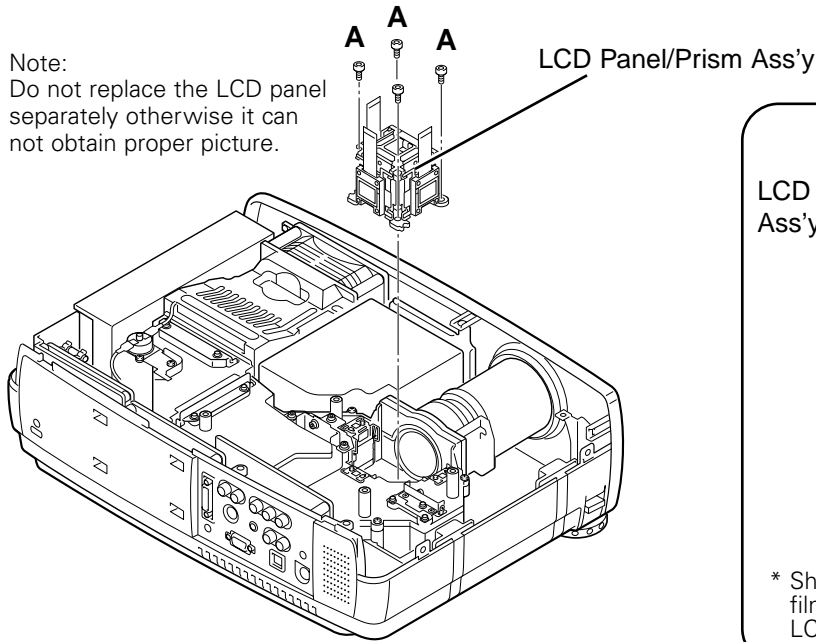
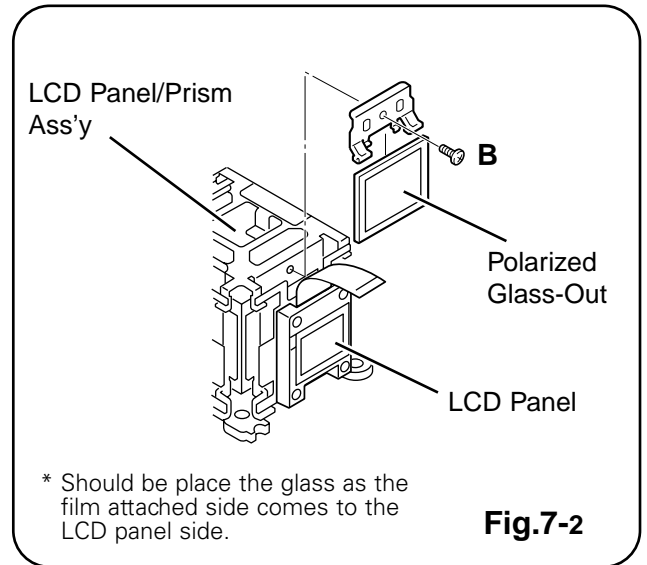


Fig.7-1



Optical Unit Top removal

- 1 Remove 9 screws to take the Optical Unit Top off upward.

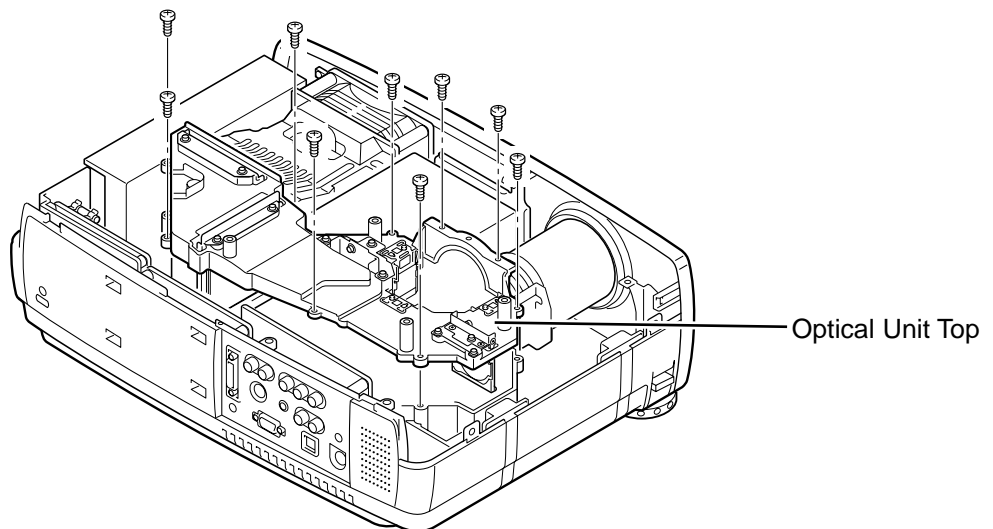


Fig.8

Locations and Directions

When mounting or assembling the optical parts in the optical unit, the parts must be mounted in the specified location and direction as shown in figure below.

Key No.	Description
1	Mirror (W)
2	Integrator lens (OUT)
3	Prism beam splitter (PBS)
4	Dichroic mirror (B)
5	Condenser lens (OUT)
6	Dichroic mirror (G)
7	Relay lens (IN)
8	Mirror (R)
9	Condenser lens (R)
10	Condenser lens
11	Condenser lens (B)
12	Optical filter (UV cut)
13	Mirror (B)

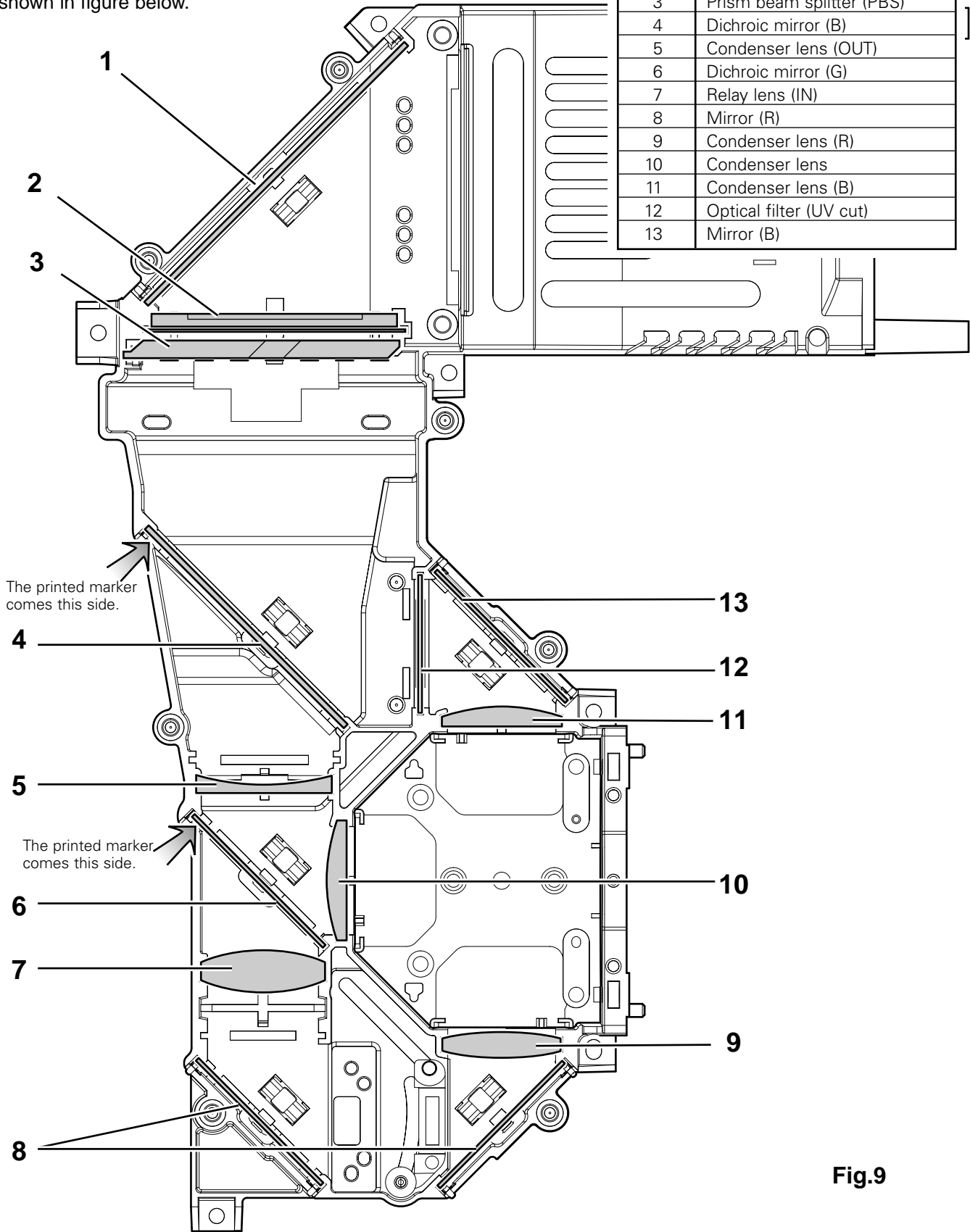


Fig.9

■ LCD Panel/Prism Ass'y Replacement

IMPORTANT NOTICE on LCD Panel/Prism Ass'y Replacement

LCD panels used for this model can not be replaced separately. Do not disassemble the LCD Panel/Prism Ass'y. These LCD panels are installed with precision at the factory. When replacing the LCD panel, should be replaced whole of the LCD panels and prism ass'y at once.

After replacing LCD Panel/Prism ass'y, please check the following adjustments.

- Check the "Condenser Lens Adjustment" , "Condenser Lens-Out Adjustment" and "Relay Lens-Out Adjustment" following to chapter "Optical Adjustment".
- Check the "White Balance Adjustment" , "Common Center Adjustment" and "Gamma Shift Adjustment" following to chapter "Electrical Adjustment".
- Check the white uniformity on the screen.

If you find the color shading, please adjust the white uniformity by using the proper computer and "Color Shading Correction" software supplied separately.

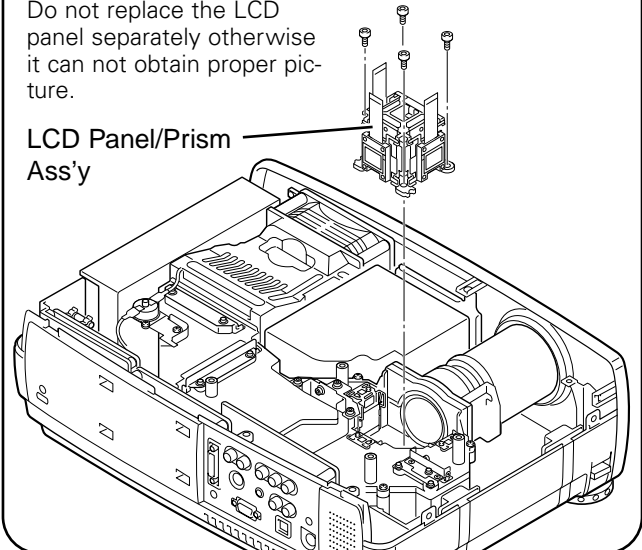
LCD Panel/Prism Ass'y removal

- 1 Remove the cabinet top and main board following to "Mechanical Disassemblies".
- 2 Remove 4 screws by using the 2.0 mm hex driver and take the LCD Panel/Prism ass'y off upward from the optical unit.

Note:

Do not replace the LCD panel separately otherwise it can not obtain proper picture.

LCD Panel/Prism Ass'y



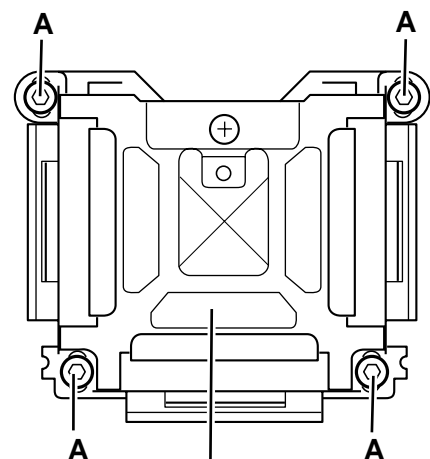
Note on LCD Panel/Prism Ass'y Mounting

After replacing or installing the LCD Panel/Prism ass'y, please make sure to obtain the best focus in both TELE and WIDE zoom. If the focus adjustment is required, please adjust the positioning of LCD Panel/Prism Ass'y by following below procedure.

Mounting Procedure:

- 1 Loosen 4 screws **A** on the LCD Panel/Prism ass'y with 2.0 mm hex driver.
- 2 Turn the projector on and project the image with WIDE zoom, and adjust the FOCUS control to obtain the best focus.
- 3 Turn the ZOOM control to the TELE position.
- 4 Move the LCD Panel/Prism Ass'y backward or forward (about 0mm ~ 0.8mm) to obtain the proper focus. Confirm the focus at TELE and WIDE zoom.
- 5 Tighten 4 screws **A** to fix the LCD Panel/Prism ass'y.

Top View



LCD Panel/Prism Ass'y

■ Lamp Replacement

WARNING:

- For continued safety, replace with a lamp assembly of the same type.
- Allow the projector to cool for at least 45 minutes before you open the lamp cover. The inside of the projector can become very hot.
- Do not drop the lamp module or touch the glass bulb! The glass can shatter and cause injury.

Procedure

- 1 Turn off the projector and disconnect the AC cord. Allow the projector to cool for at least 45 minutes.
- 2 Remove a screw with a screwdriver and remove the lamp cover.
- 3 Remove 2 screws and pull out the lamp assembly by grasping the handle.
- 4 Replace the lamp assembly securely and tighten 3 screws.
- 5 Place the lamp cover and tighten a screw.
- 6 Connect the AC cord to the projector and turn on.

7 Reset the Lamp Replace Counter, see below explanation.

Note:

- Do not reset the Lamp Replace Counter, except after lamp is replaced.
- The projector can not be turned-on with lamp cover removed, because when the lamp cover is removed, the interlock switch is also released to switch off the mains power for safety.

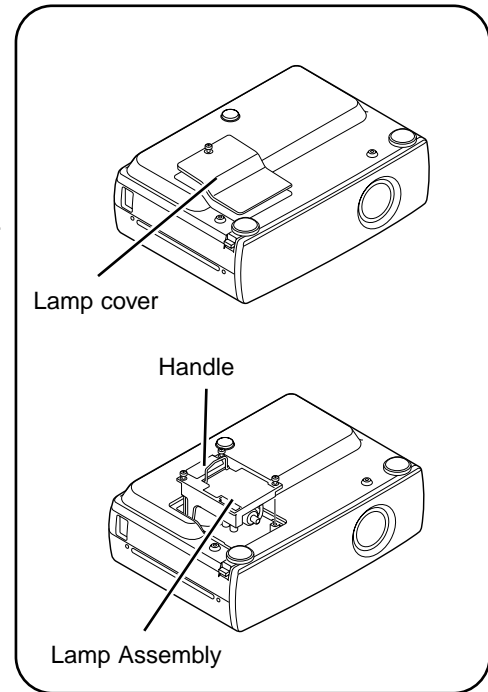
How to reset Lamp Replace Counter

- 1 Turn the projector on, and press the **MENU** button and the on-screen menu will appear. Press the **POINT LEFT/RIGHT** buttons to move a red frame pointer to SETTING menu icon.
- 2 Press the **POINT DOWN** button to move a red frame pointer to "Lamp counter reset" and then press the **SELECT** button. The message "Lamp replace counter reset?" is displayed. Move the pointer to [Yes] and the press the **SELECT** button.
- 3 Another confirmation dialog box appears and select [Yes] to reset Lamp Replace Counter .

Please refer to the owners manual for further information.

ORDER REPLACEMENT LAMP

Type No. _____ Service Parts No.
POA-LMP35 610 293 2751



Recommendation

Should the air filter become clogged with dust particles, it will reduce the cooling fan's effectiveness and may result in internal heat build up and short lamp life. We recommend cleaning the air filter after the projection lamp is replaced.

Refer to "Air Filter Cleaning".

How to check Lamp Replace Counter

The LAMP REPLACEMENT indicator will illuminate when the Lamp Replace Counter reaches 1000 hours. This is to indicate that lamp replacement is required.

You can check the lamp replace counter following to below procedure.

- 1 Press and hold the pointer **UP** on the projector for more than 20 seconds.
- 2 The Lamp replace Counter service menu appears on the screen. For example, when the value of data indicates "123", the accumulated operation time is 123

hours. To make this menu disappear, press Power button on the projector.

Service Mode		
Input	Video	
Group	No.	Data
10	0	123
Ver.	1	.00

Lamp replace counter data

■ Optical Adjustments

Before taking optical adjustments below, remove the Cabinet Top and Main Board following to the “Mechanical Disassemblies”

Adjustments require a 2.0mm hex wrench and a slot screwdriver. When you adjust Condenser lens, Condenser lens-out or Relay lens adjustment, you need to disconnect some connectors and FPC cables of LCD panels on the main board.

Note: Do not disconnect connectors K8N, K8P, K8H, K8R and K8S on the main board, because the projector can not turn on due to operate the power failure protection.

Contrast adjustment

[Before Adjustment]

- Input a 100% of black raster signal.

[R/G/B-CONTRAST ADJUSTMENT]

- 1 Loosen a screw **A** (Fig.1-1/1-2) on the polarized glass mounting base which you intend to adjust.
- 2 Turn the polarized glass mounting base as shown in Fig.1-1 to obtain the darkest brightness on the screen.
- 3 Tighten the screw **A** to fix the polarized glass mounting base.

Repeat steps 1 to 3 for remaining polarized glasses.

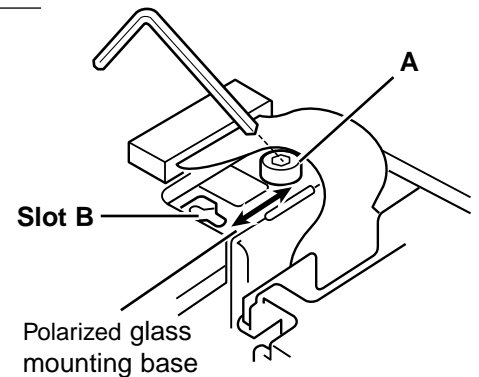


Fig.1-1

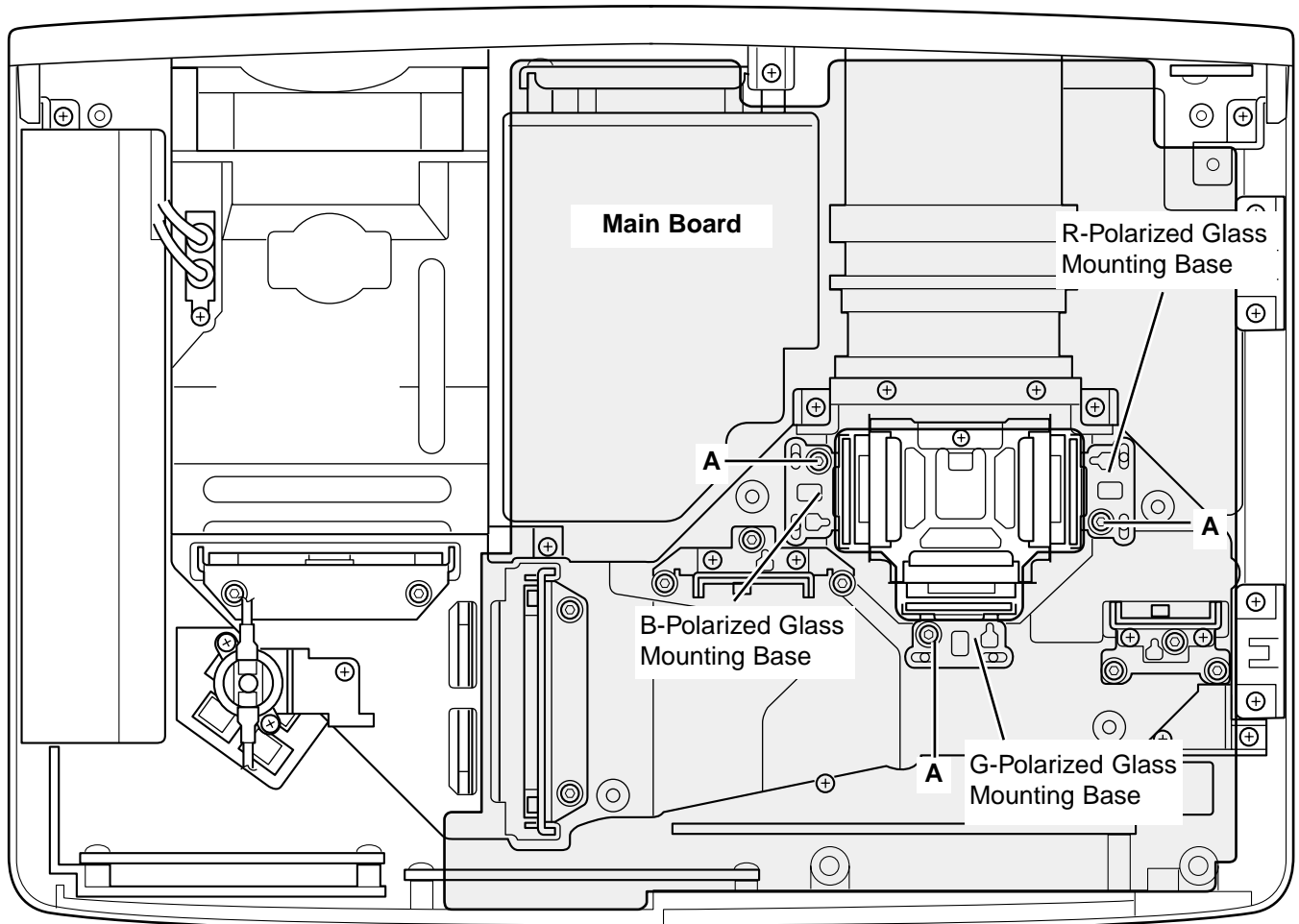
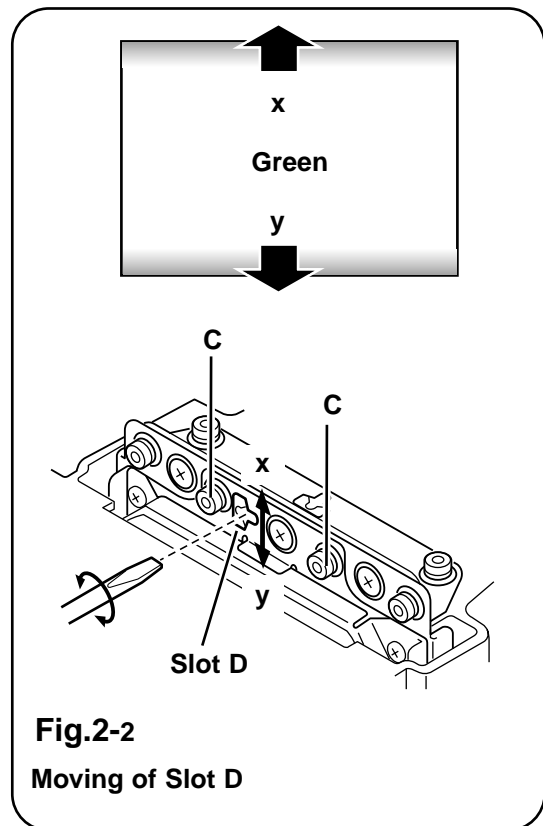
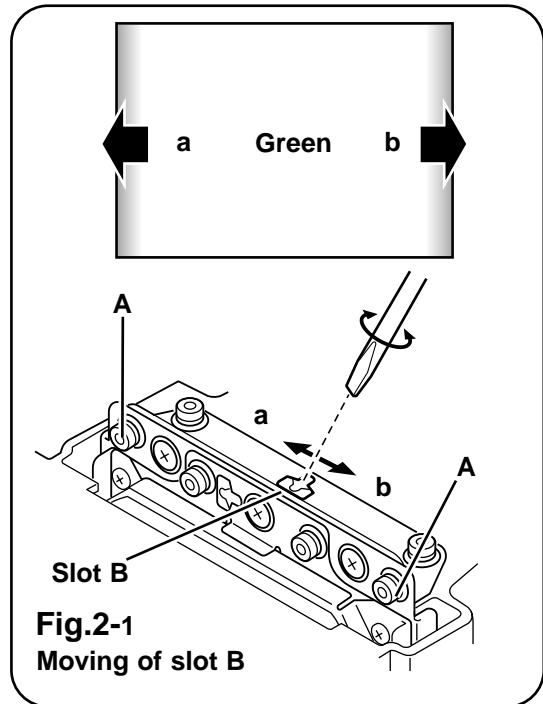
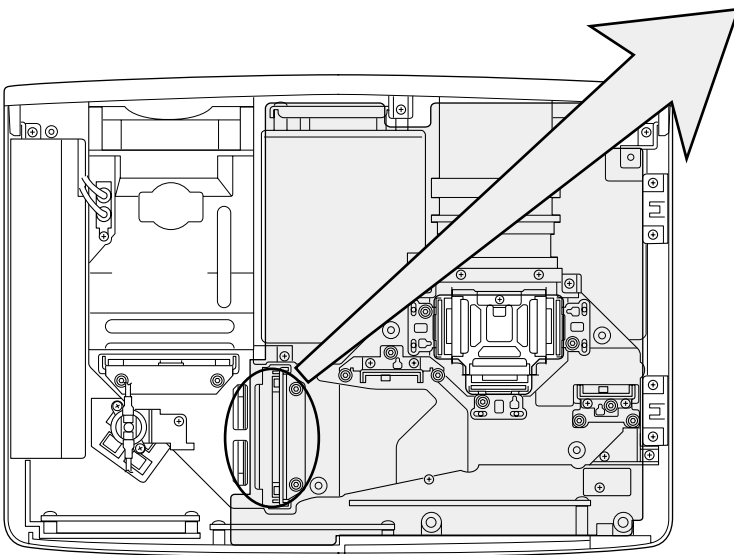


Fig.1-2

Condenser Lens adjustment

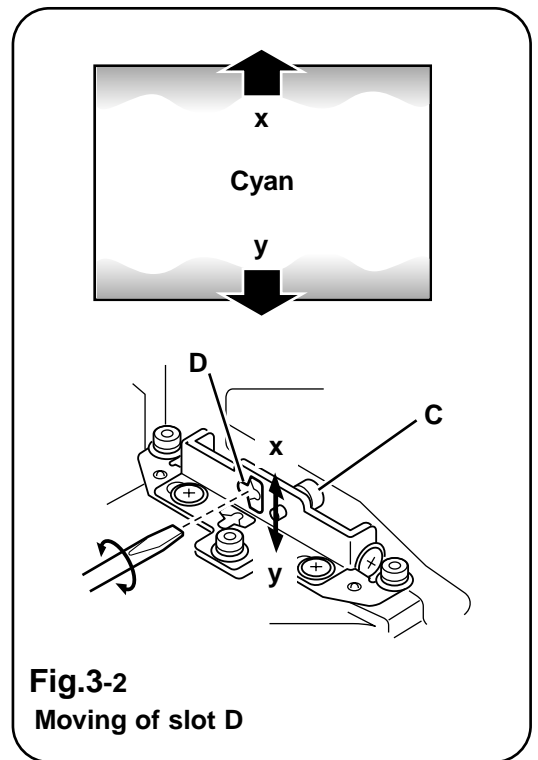
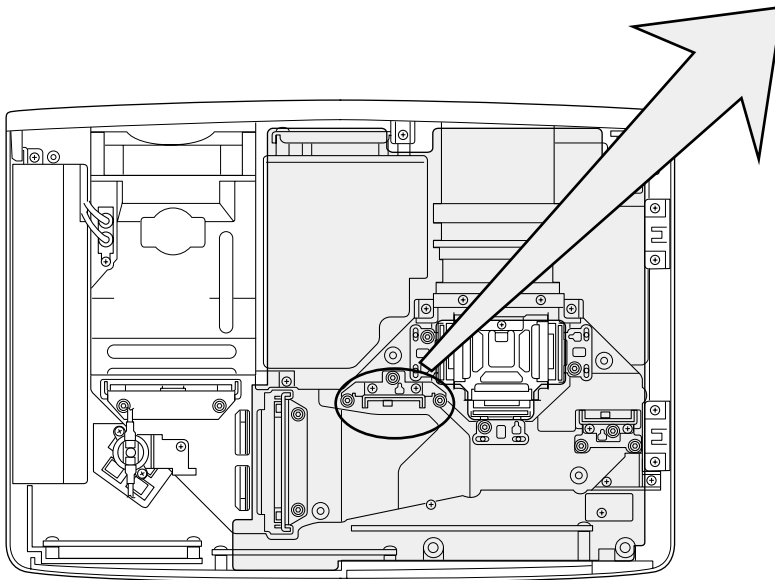
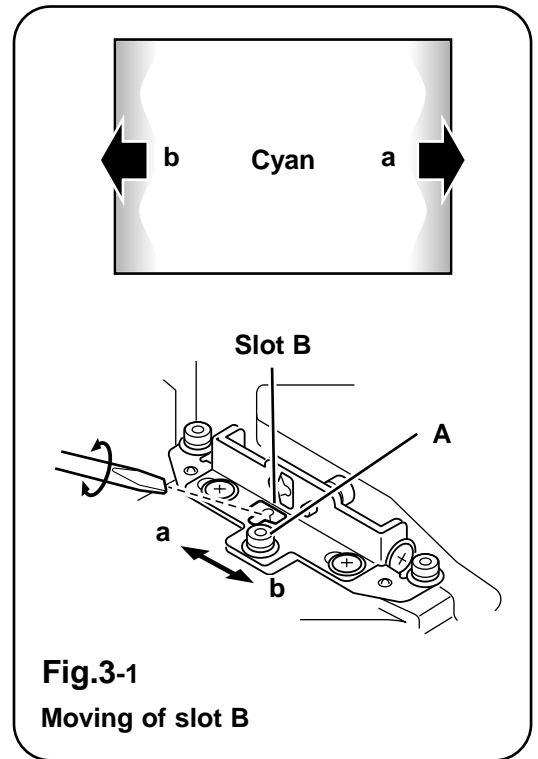
- 1 Turn the projector on by a state of without FPC cables.
- 2 Project only green light on the screen.
- 3 Adjust the adjustment base of condenser lens assy to make color uniformity in green.
 - 1) If the shading appears on the left or right of the screen as shown in **Fig.2-1**, loosen 2 screws **A** with the 2.0mm hex driver, and adjust the slot **B** to make color uniformity in green by using a slot screwdriver.
 - 2) If the shading appears on the top or bottom of the screen as shown in **Fig.2-2**, loosen 2 screw **C** with the 2.0mm hex driver, and adjust the slot **D** to make color uniformity in green by using a slot screwdriver
- 4 Tighten screws **A** and **C** to fix the Condenser lens unit.

Note:
The relay lens adjustment must be carried out after completing this adjustment.



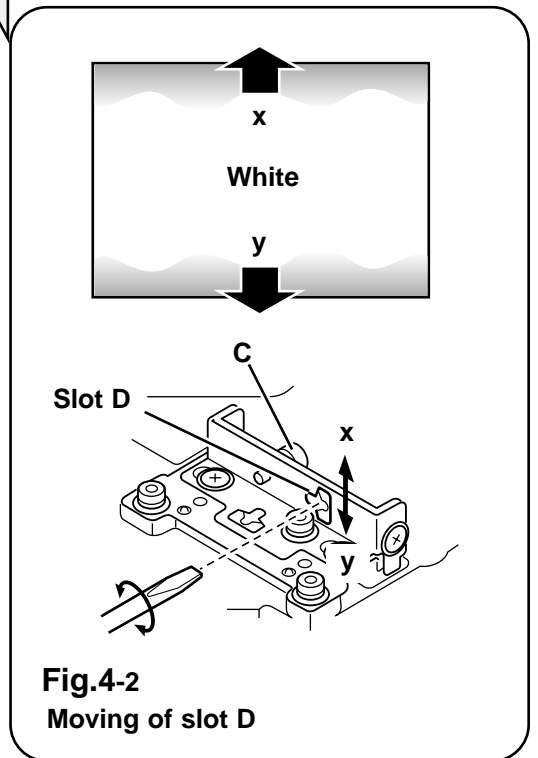
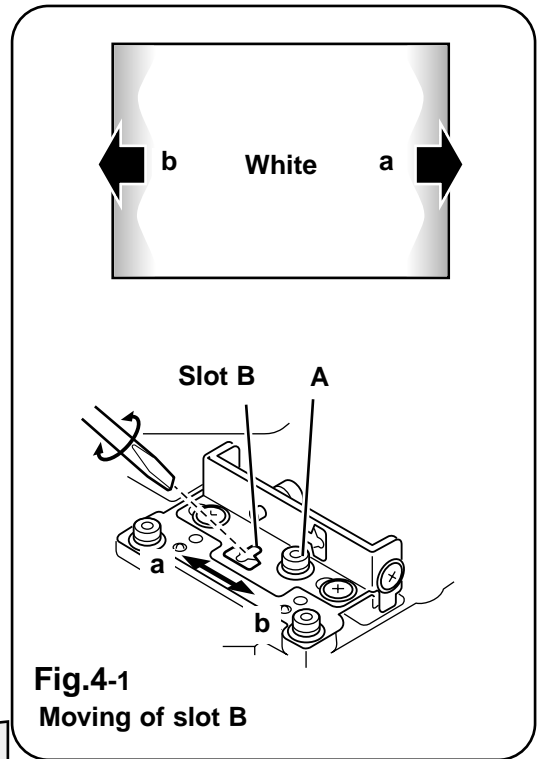
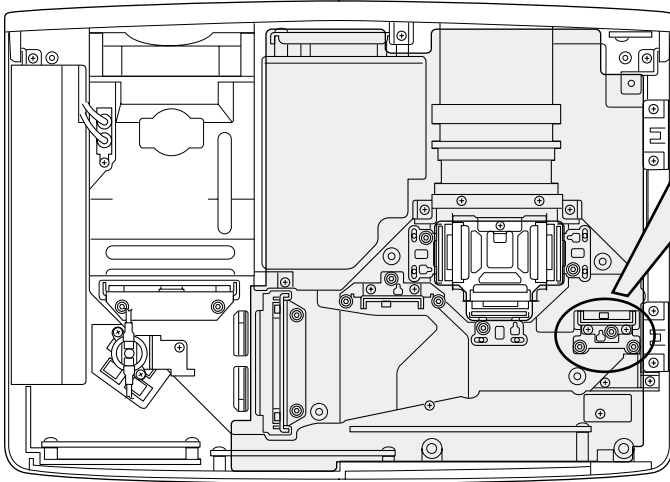
Condenser Lens-Out adjustment

- 1 Turn the projector on by a state of without FPC cables.
- 2 Project green and blue lights on the screen.
- 3 Adjust the adjustment base of condenser lens-out assy to make color uniformity in cyan.
 - 1) If the shading appears on the left or right of the screen as shown in **Fig.3-1**, loosen 1 screw **A** with the 2.0mm hex driver, and adjust the slot **B** to make color uniformity in cyan by using a slot screwdriver.
 - 2) If the shading appears on the top or bottom of the screen as shown in **Fig.3-2**, loosen 1 screw **C** with the 2.0mm hex driver, and adjust the slot **D** to make color uniformity in cyan by using a slot screw driver.
- 4 Tighten the screw **A** and **C** to fix the relay lens unit.



Relay lens-Out adjustment

- 1 Turn the projector on by a state of without FPC cables.
- 2 Project all of lights on the screen.
- 3 Adjust the adjustment base of relay lens assy to make color uniformity in white.
 - 1) If the shading appears on the left or right of the screen as shown in **Fig.4-1**, loosen 1 screw **A** with the 2.0mm hex driver, and adjust the slot **B** to make color uniformity in white by using a slot screwdriver.
 - 2) If the shading appears on the top or bottom of the screen as shown in **Fig.4-2**, loosen 1 screw **C** with the 2.0mm hex driver, and adjust the slot **D** to make color uniformity in white by using a slot screwdriver.
- 4 Tighten the screws **A** and **C** to fix the relay lens unit.



■ Electrical Adjustments

● Service Adjustment Menu Operation

To enter the service mode

To enter the “Service Mode”, press and hold the **MENU** and **IMAGE** button on the projector at the same time for more than 3 seconds. The service menu appears on the screen as follows.

To adjust service data

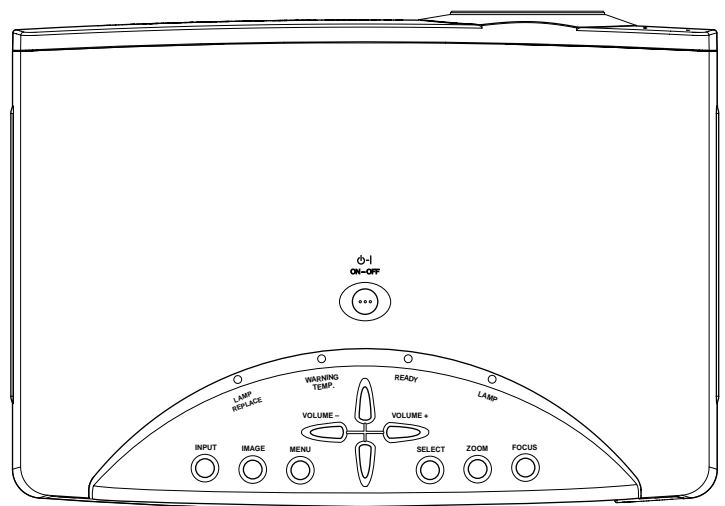
Select the adjustment group no. by pressing the **MENU (+)** or **IMAGE (-)** button, and select the adjustment item no. by pressing the pointer **UP** or **DOWN** button, and change the data value by pressing the **VOLUME -** or **VOLUME +** button. Refer to the “Service Adjustment Data Table” for further description of adjustment group no., item no. and data value.

To exit the service mode

To exit the service mode, press the **POWER ON-OFF** button on the projector or remote control unit.

Service Mode		
Input	Video	
Group	No.	Data
0	0	32
V.s.r.		.00

Group No. Item No. Data value



● Memory IC Replacement

IC1801 on the main board stores the data for the service adjustments, and should not be replaced except for the case of defective device.

If replaced, it should be performed the re-adjustments following to the “Electrical Adjustments”.

The data of lamp replacement monitor timer is stored in the IC1801.

Please note that the lamp replace counter is reset when the memory IC (IC1801) is replaced.

(Lamp replace counter can not be set to the previous value.)

● Caution to memory IC replacement

When IC1801 is replaced with new one, the CPU writes down the default data of the service adjustments to the replaced IC, refer to the service adjustment table. As these data are not the same data as factory shipped data, it should be required to perform the re-

adjustments following to the “Electrical Adjustments”. Please note that the lamp replace counter is reset.

● Caution of Main Board replacement (in the case IC1801 is not defective)

When the main board is replaced, IC1801 should be replaced with the one on previous main board. After replacement, it should be required to perform the re-adjustments following to the “Electrical Adjustments”. In this case, the lamp replace counter can be kept the value as before.

● Circuit Adjustments

CAUTION: The each circuit has been made by the fine adjustment at factory. Do not attempt to adjust the following adjustments except requiring the readjustments in servicing otherwise it may cause loss of performance and product safety.

[Adjustment Condition]

- Input signal
 - Video signal 1.0Vp-p/75Ω terminated, 16 steps gray scale (Composite video signal)
 - Computer signal..... 0.7Vp-p/75Ω terminated, 16 steps gray scale pattern (XGA)
- Picture control mode “STANDARD” mode unless otherwise noted.

Note:

* Please refer to “Service Adjustment Menu Operation” for entering to the service mode and adjusting the service data.

Output Voltage adjustment

After replacing the Power Board, P.F.C. Board, readjust the Output voltage adjustment as follows.

1. Connect a digital voltmeter to pins 1 (+) and 3 (-) of **K6D**.
2. Adjust the voltage by using **VR611** as following.

AC Input	Reading
230V	370V ±2V
or 120V	340V ±2V

Caution:

Be sure to connect the lamp when taking this adjustment.

Fan Voltage adjustment

1. Enter the service mode and select group no. “**11**” and item no. “**0**”. Set data value to “**1**”.
2. Connect a digital voltmeter to test point “TP12V1” (+) and chassis ground (-). Select item no. “**1**” and change data value to adjust voltage to be 8.5 ±0.1V.
3. Connect a digital voltmeter to test point “TP12V2” (+) and chassis ground (-). Select item no. “**2**” and change data value to adjust voltage to be 9.0 ±0.1V.
4. Select group no. “**11**” and item no. “**0**” and set data value to “**3**”.
5. Connect a digital voltmeter to test point “TP12V1” (+) and chassis ground (-). Select item no. “**3**” and change data value to adjust voltage to be 13.0 ±0.1V.
6. Connect a digital voltmeter to test point “TP12V2” (+) and chassis ground (-). Select item no. “**4**” and change data value to adjust voltage to be 13.5 ±0.1V.

Pedestal adjustment

1. Receive the 16-step grey scale video signal.
2. Set to **VIDEO** mode.
3. Enter the service mode.

[R-PEDESTAL ADJUSTMENT]

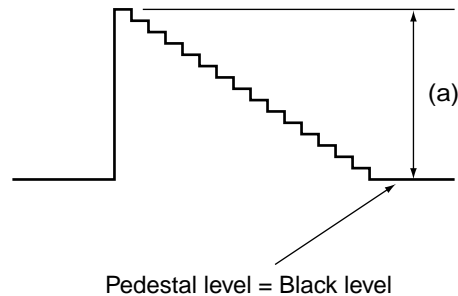
4. Connect an oscilloscope to test point “TP201R” (+) and chassis ground (-).
5. Select group no. “**3**”, item no. “**14**” and change data value to adjust the pedestal level and black level to be the same level.

[G-PEDESTAL ADJUSTMENT]

6. Connect an oscilloscope to test point “TP201G” (+) and chassis ground (-).
7. Select group no. “**3**”, item no. “**15**” and change data value to adjust the pedestal level and black level to be the same level.

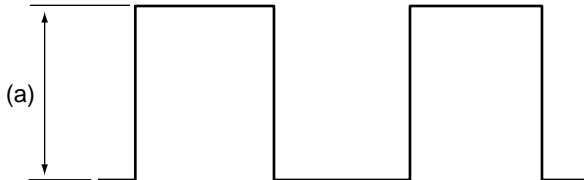
[B-PEDESTAL ADJUSTMENT]

8. Connect an oscilloscope to test point “TP201B” (+) and chassis ground (-).
9. Select group no. “**3**”, item no. “**16**” and change data value to adjust the pedestal level and black level to be the same level.



NRS adjustment

1. Receive the 16-step grey scale computer signal.
2. Set to **COMPUTER** mode.
3. Connect an oscilloscope to test point "TP3551" (+) and chassis ground (-).
4. Enter the service mode, select group no. "3", item no. "7" and change data value to adjust amplitude "a" to be $5.5 \pm 0.1V$.



Signal Center adjustment

1. Receive the 16-step grey scale computer signal.
2. Set to **COMPUTER** mode.
3. Enter the service mode.

[R-SIGNAL CENTER ADJUSTMENT]

4. Connect a digital voltmeter to test point "TP25R1" (+) and chassis ground (-).
5. Select group no. "3", item no. "0" and change data value to adjust the voltage to be $7.30 \pm 0.05V$.

[G-SIGNAL CENTER ADJUSTMENT]

6. Connect a digital voltmeter to test point "TP25G1" (+) and chassis ground (-).
7. Select group no. "3", item no. "1" and change data value to adjust the voltage to be $7.30 \pm 0.05V$.

[B-SIGNAL CENTER ADJUSTMENT]

8. Connect a digital voltmeter to test point "TP25B1" (+) and chassis ground (-).
9. Select group no. "3", item no. "2" and change data value to adjust the voltage to be $7.30 \pm 0.05V$.

Black Level adjustment

1. Receive the 16-step grey scale computer signal.
2. Set to **COMPUTER** mode.
3. Enter the service mode.

[R-BLACK ADJUSTMENT]

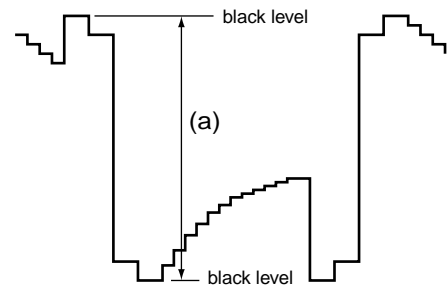
4. Connect an oscilloscope to test point "TP25R1" (+) and chassis ground (-).
5. Select group no. "3", item no. "3" and change data value to adjust amplitude "a" to be $10.0 \pm 0.1V$.

[R-BLACK ADJUSTMENT-]

6. Connect an oscilloscope to test point "TP25G1" (+) and chassis ground (-).
7. Select group no. "3", item no. "4" and change data value to adjust amplitude "a" to be $10.0 \pm 0.1V$.

[R-BLACK ADJUSTMENT-]

8. Connect an oscilloscope to test point "TP25B1" (+) and chassis ground (-).
9. Select group no. "3", item no. "5" and change data value to adjust amplitude "a" to be $10.0 \pm 0.1V$.



PC Offset adjustment

1. Receive the 16-step gray scale computer signal.
2. Set to **COMPUTER** mode.
3. Enter the service mode.

[R-OFFSET ADJUSTMENT]

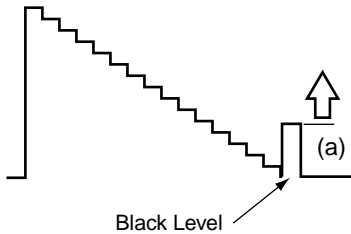
4. Connect an oscilloscope to test point "TP25R1" (+) and chassis ground (-).
5. Select group no. "3", item no. "11" and change data value to adjust the waveform "a" (black portion) to be maximum amplitude.

[G-OFFSET ADJUSTMENT]

6. Connect an oscilloscope to test point "TP25G1" (+) and chassis ground (-).
7. Select group no. "3", item no. "12" and change data value to adjust the waveform "a" (black portion) to be maximum amplitude.

[B-OFFSET ADJUSTMENT]

8. Connect an oscilloscope to test point "TP25B1" (+) and chassis ground (-).
9. Select group no. "3", item no. "13" and change data value to adjust the waveform "a" (black portion) to be maximum amplitude.



PC Gain adjustment

1. Receive the 16-step gray scale computer signal.
2. Set to **COMPUTER** mode.
3. Enter the service mode.

[R-GAIN ADJUSTMENT]

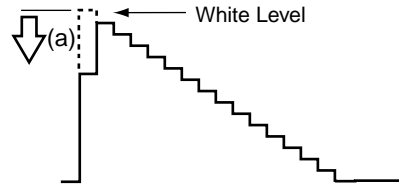
4. Connect an oscilloscope to test point "TP25R1" (+) and chassis ground (-).
5. Select group no. "2", item no. "3" and change data value to adjust waveform "a" to be minimum amplitude.

[G-GAIN ADJUSTMENT]

6. Connect an oscilloscope to test point "TP25G1" (+) and chassis ground (-).
7. Select group no. "2", item no. "4" and change data value to adjust waveform "a" to be minimum amplitude.

[B-GAIN ADJUSTMENT]

8. Connect an oscilloscope to test point "TP25B1" (+) and chassis ground (-).
9. Select group no. "2", item no. "5" and change data value to adjust waveform "a" to be minimum amplitude.



AV Gain adjustment

1. Receive the 16-step gray scale video signal.
2. Set to **VIDEO** mode.
3. Enter the service mode.

[R-GAIN ADJUSTMENT]

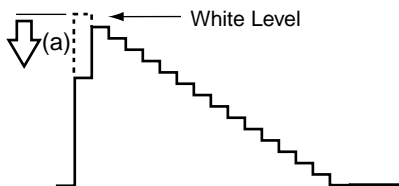
4. Connect an oscilloscope to test point "TP25R1" (+) and chassis ground (-).
5. Select group no. "2", item no. "3" and change data value to adjust waveform "a" to be minimum amplitude.

[G-GAIN ADJUSTMENT]

6. Connect an oscilloscope to test point "TP25G1" (+) and chassis ground (-).
7. Select group no. "2", item no. "4" and change data value to adjust waveform "a" to be minimum amplitude.

[B-GAIN ADJUSTMENT]

8. Connect an oscilloscope to test point "TP25B1" (+) and chassis ground (-).
9. Select group no. "2", item no. "5" and change data value to adjust waveform "a" to be minimum amplitude.



Common Center adjustment

1. Receive the 1 dot black & white pattern computer signal.
2. Set to **COMPUTER** mode.
3. Enter the service mode.

[G-COMMON CENTER ADJUSTMENT]

4. Project only green light component to the screen.
5. Select group no. "3", item no. "8" and change data value to obtain the minimum flicker on the screen.

[B-COMMON CENTER ADJUSTMENT]

6. Project only blue light component to the screen.
7. Select group no. "3", item no. "9" and change data value to obtain the minimum flicker on the screen.

[R-COMMON CENTER ADJUSTMENT]

8. Project only red light component to the screen.
9. Select group no. "3", item no. "10" and change data value to obtain the minimum flicker on the screen.

Gamma Shift adjustment

[PC-GAMMA OFF ADJUSTMENT]

1. Receive the 16-step gray scale computer signal.
2. Set to **COMPUTER** mode.
3. Enter the service mode, select group no. "2", item no. "6" and change data value to reproduce the proper gray scale picture on the screen.

[AV-GAMMA OFF ADJUSTMENT]

4. Receive the 16-step gray scale video signal.
5. Set to **VIDEO** mode.
6. Enter the service mode, select group no. "2", item no. "6" and change data value to reproduce the proper gray scale picture on the screen.

White Balance adjustment

[PC WHITE BALANCE ADJUSTMENT]

1. Receive the 16-step gray scale computer signal.
2. Set to **COMPUTER** mode.
3. Enter the service mode, select group no. "2", item no. "7" (Red) or "8" (Blue), and change data values respectively to make a proper white balance.

[AV WHITE BALANCE ADJUSTMENT]

4. Receive the 16-step grey scale video signal.
5. Set to **VIDEO** mode.
6. Enter the service mode, select group no. "2", item no. "7" (Red) or "8" (Blue), and change data values respectively to make a proper white balance.

Confirm that the same white balance is obtained in video and computer input.

NOTE ON WHITE UNIFORMITY ADJUSTMENT

If you find the color shading on the screen, please adjust the white uniformity by using the proper computer and "Color Shading Correction" software supplied separately.

● Service Adjustment Data Table

These initial values are the reference data written from the CPU ROM to memory IC when replaced new memory IC. The adjustment items indicated with “*” are required to readjust following to the “Electrical adjustments”. Other items should be used with the initial data value.

No.	Adjustment Item	Initial Value					Range	Description
Group: 0 TB1274								
0	TINT	32					0 ~ 63	
1	SHP_EQ	2					0 ~ 3	
2	SHP_FO	1					0 ~ 3	
3	SHP_GAIN	NTSC,PAL	SECAM,NT4.43	S-Video	Y,Cb,Cr	0 ~ 15		
		10	10	10	10			
4	Y_OUT_LEVEL	NTSC	NT4.43	PAL	SECAM	0 ~ 63		
		30	30	31	31			
		S-Video NTSC	S-Video PAL	S-Video SECAM	Y,Cb,Cr			
		30	31	31	31			
5	C_OUT_LEVEL	NTSC	NT4.43	PAL	SECAM	0 ~ 63		
		32	32	32	32			
		S-Video NTSC	S-Video PAL	S-Video SECAM	Y,Cb,Cr			
		32	32	32	32			
6	Y_DELAY	NTSC	PAL	SECAM	NT4.43	PAL 60	0 ~ 15	
		6	6	6	4	4		
		S-Video NTSC	S-Video PAL	S-Video SECAM	S-Video NT4.43	S-Video PAL60		
		4	4	3	3	4		
7	COL_SYS	-					-	Read only
8	X'TAL	-					-	
9	NOISE_DET	-					-	
10	V_FREQ	-					-	
11	Vert. Std	-					-	
12	CID	-					-	
13	V_SIG	-					-	
14	Cinema SHP_GAIN	NTSC,PAL	SECAM,NT4.43	S-Video	YCbCr	0 ~ 15	For cinema mode	
Group: 1 CXA2101								
0	PICTURE	30					0 ~ 63	
1	BRIGHT	31					0 ~ 63	
2	R_DRIVE	31					0 ~ 63	
3	G_DRIVE	31					0 ~ 63	
4	B_DRIVE	31					0 ~ 63	
5	HSEP_SEL	1					0 ~ 1	
6	CR_OFFSET1	15kHz: 7			Others: 10		0 ~ 15	
7	CB_OFFSET1	15kHz: 7			Others: 10		0 ~ 15	
8	BLK_BOTTOM	15					0 ~ 15	
9	R-Y/R	NTSC	PAL, SECAM	1035i	Y,Cb,Cr *1	0 ~ 15	*1 Y, Cb, Cr and Y, Pb, Pr except 1035i	
		6	13	6	6			
10	R-Y/B	5	15	5	5	0 ~ 15		
11	G-Y/R	8	8	8	8	0 ~ 15		
12	G-Y/B	10	4	10	10	0 ~ 15		
13	MAT_OUT	0	0	0	1	0 ~ 3		
14	SYSTEM	15kHz 480i, 575i		480p, 575p		1080i, 1035i, 720p		
		0	1	2	0 ~ 3			
15	V_TC	3	3	3	0 ~ 3			
16	H_WIDTH	3	2	0	0 ~ 3			
17	HS_MASK	0	1	1	0 ~ 1			
18	CTI_LEVEL	Video, S-Video	480i, 575i	480p, 575p	1080i, 1035i, 720p	0 ~ 3		
		2	2	2	2			
19	SUB_SHP	15kHz 480i, 575i		480p, 575p		1080i, 1035i, 720p		
		3	3	3	0 ~ 3			
20	SHP_FO	0	2	3	0 ~ 3			
21	PRE_OVER	2	2	3	0 ~ 3			
22	LTI_LEVEL	0	1	1	0 ~ 3			
23	D_PIC	0	0	0	0 ~ 3			
24	HUE	31					0 ~ 63	Only adjustable for PAL,SECAM
25	SUB_COL	NTSC	PAL,SECAM	525i,480p	625i,575p	1035i	Others	
		5	5	12	12	6	9	
26	SUB_HUE	7	7	8	7	9	6	
27	Cinema CTI_LEVEL	2					0 ~ 3	Set this value at Cinema Mode
28	Cinema LTI_LEVEL	0					0 ~ 3	Set this value at Cinema Mode

Electrical Adjustments

No.	Adjustment Item	Initial Value			Range	Description
Group: 2 L3E07050 (Digital Gamma, Color Shading & Timing Controller)						
		PC		DVI, AV		
0	R_SUB_BRT	0		0		0 ~ 1023
1	G_SUB_BRT	0		0		0 ~ 1023
2	B_SUB_BRT	0		0		0 ~ 1023
		PC	AV	DVI		
3	R_SUB_GAIN	573	573	492	0 ~ 1023	* Red PC/AV gain adjustment
4	G_SUB_GAIN	573	573	492	0 ~ 1023	* Green PC/AV gain adjustment
5	B_SUB_GAIN	573	573	492	0 ~ 1023	* Blue PC/AV gain adjustment
		PC, DVI Standard		AV Standard		
6	Standard G GAMMA SHIFT	415		415		Note1 * Gamma shift adjustment
7	Standard R GAMMA SHIFT	415		415		Note1 * White balance adjustment
8	Standard B GAMMA SHIFT	415		415		Note1 * White balance adjustment
9	Standard GAMMA 0	0		0		0 ~ 1023
10	Standard GAMMA 1	210		166		0 ~ 1023
11	Standard GAMMA 2	340		290		0 ~ 1023
12	Standard GAMMA 3	436		406		0 ~ 1023
13	Standard GAMMA 4	511		496		0 ~ 1023
14	Standard GAMMA 5	574		560		0 ~ 1023
15	Standard GAMMA 6	633		626		0 ~ 1023
16	Standard GAMMA 7	674		672		0 ~ 1023
17	Standard GAMMA 8	709		709		0 ~ 1023
18	Standard GAMMA 9	740		740		0 ~ 1023
19	Standard GAMMA 10	770		770		0 ~ 1023
20	Standard GAMMA 11	800		800		0 ~ 1023
21	Standard GAMMA 12	832		838		0 ~ 1023
22	Standard GAMMA 13	884		877		0 ~ 1023
23	Standard GAMMA 14	950		940		0 ~ 1023
24	Standard GAMMA 15	1023		1023		0 ~ 1023
		PC, DVI Real		AV Cinema		(Different value to Standard)
25	Real/Cinema G GAMMA SHIFT	506		507		Note1 Note1:
26	Real/Cinema R GAMMA SHIFT	512		512		Note1
27	Real/Cinema B GAMMA SHIFT	504		504		Note1
28	Real/Cinema GAMMA 0	512		512		0 ~ 1023
29	Real/Cinema GAMMA 1	492		538		0 ~ 1023
30	Real/Cinema GAMMA 2	497		524		0 ~ 1023
31	Real/Cinema GAMMA 3	502		519		0 ~ 1023
32	Real/Cinema GAMMA 4	507		516		0 ~ 1023
33	Real/Cinema GAMMA 5	509		515		0 ~ 1023
34	Real/Cinema GAMMA 6	510		511		0 ~ 1023
35	Real/Cinema GAMMA 7	510		510		0 ~ 1023
36	Real/Cinema GAMMA 8	510		510		0 ~ 1023
37	Real/Cinema GAMMA 9	510		510		0 ~ 1023
38	Real/Cinema GAMMA 10	510		510		0 ~ 1023
39	Real/Cinema GAMMA 11	509		510		0 ~ 1023
40	Real/Cinema GAMMA 12	508		510		0 ~ 1023
41	Real/Cinema GAMMA 13	506		509		0 ~ 1023
42	Real/Cinema GAMMA 14	502		502		0 ~ 1023
43	Real/Cinema GAMMA 15	512		512		0 ~ 1023
44	R 2	127		0 ~ 255		R Correction value of vertical line
45	G 2	127		0 ~ 255		G Correction value of vertical line
46	B 2	127		0 ~ 255		B Correction value of vertical line
47	Red MID2 Level	453		0 ~ 1023		
48	Red MID1 Level	500		0 ~ 1023		
49	Red MAX Level	576		0 ~ 1023		
50	Green MID2 Level	453		0 ~ 1023		Gray scale level adjustment
51	Green MID1 Level	500		0 ~ 1023		
52	Green MAX Level	575		0 ~ 1023		
53	Blue MID2 Level	418		0 ~ 1023		
54	Blue MID1 Level	465		0 ~ 1023		
55	Blue MAX Level	541		0 ~ 1023		
56	DVI std G GAMMA SHIFT	512		0 ~ 1023		
57	DVI std R GAMMA SHIFT	512		0 ~ 1023		
58	DVI std B GAMMA SHIFT	512		0 ~ 1023		
Group: 3 DAC						
0	R_VIDEO_CENTER	74		0 ~ 255		* Red Signal center adjustment
1	G_VIDEO_CENTER	74		0 ~ 255		* Green Signal center adjustment
2	B_VIDEO_CENTER	74		0 ~ 255		* Blue Signal center adjustment
3	REF_R	136		0 ~ 255		* Red white-black level adjustment

Electrical Adjustments

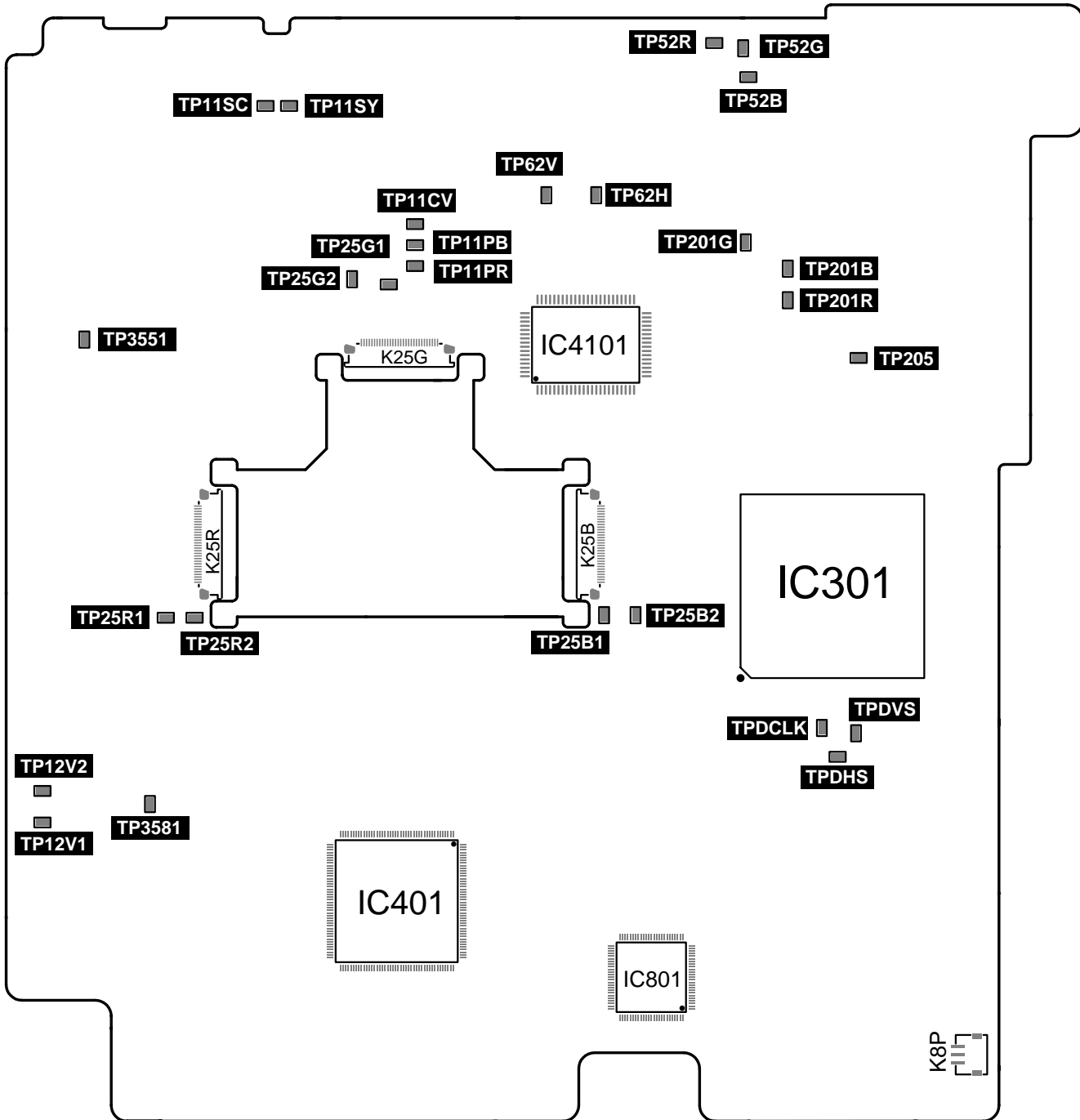
No.	Adjustment Item	Initial Value	Range	Description				
4	REF_G	136	0 ~ 255	* Green white-black level adjustment				
5	REF_B	136	0 ~ 255	* Blue white-black level adjustment				
6	NRS_B	128	0 ~ 255					
7	NRS_A	136	0 ~ 255	* NRS adjustment				
8	G_V_COM	140	0 ~ 255	* Green common center adjustment				
9	B_V_COM	140	0 ~ 255	* Blue common center adjustment				
10	R_V_COM	140	0 ~ 255	* Red common center adjustment				
11	R_CLMP	63	0 ~ 255	* Red PC offset adjustment				
12	G_CLMP	63	0 ~ 255	* Green PC offset adjustment				
13	B_CLMP	63	0 ~ 255	* blue PC offset adjustment				
14	R_BLK_DC	76	0 ~ 255	* Red pedestal adjustment				
15	G_BLK_DC	76	0 ~ 255	* Green pedestal adjustment				
16	B_BLK_DC	76	0 ~ 255	* blue pedestal adjustment				
Group: 4 TA1318								
		15kHz	31kHz	33kHz	45kHz			
0	SEP_LEV	0	0	0	0	0 ~ 3		
		1080i	720p	480p	575i,PAL,SECAM	480i,NTSC		
1	HD_PHASE	36	38	36	32	32	0 ~ 63	
2	V_FREQ						-	Read only
3	H_FREQ						-	
4	HD_IN						-	
Group: 5 LP05 (Turbo)								
0	LP05_R_GAIN	128			0 ~ 255			
1	LP05_G_GAIN	128			0 ~ 255			
2	LP05_B_GAIN	128			0 ~ 255			
3	TURBO_GAIN	19			0 ~ 255			
Group: 10 Option								
0	Lamp Time Monitor	-			-	Read only		
1	RS232C Baudrate	0			0 ~ 1	0: 19200bps 1: 9600bps		
2	Shootout Mode	0			0 ~ 2	1:Mode-1(Change when no signal input) 2:Mode-2(Priority of AV) 0: Disable		
3	Cooling Time	3			0 ~ 15	Set cooling time period 1:30 sec. 3:90 sec. 15:450 sec. 0:On conti.		
4	High-Land SW	0			0 ~ 255	0: Normal mode(Normal operation) 1: Highland mode(max speed in normal)		
5	V-Sync SW	0			0 ~ 1	0:Vertical-synchronized 1:No vertical-synchronized		
6	Color Shading SW	1			0 ~ 1	Color correction 0: No 1:Yes, adjustable but does no store the value		
Group: 11 Fan Control						* Fan voltage adjustment		
0	Fan Speed Mode	0			0 ~ 3	0: Fan control 1: Min., 2: Mid., 3: Max. it can not be memorized.		
1	Fan-1 Min Data	44			0 ~ 127	Minimum output data when controlling Fans *		
2	Fan-2 Min Data	63			0 ~ 127	Minimum output data when controlling Fans *		
3	Fan-1 Max Data	217			128 ~ 255	Maximum output data when controlling Fans *		
4	Fan-2 Max Data	236			128 ~ 255	Maximum output data when controlling Fans *		
5	Temp Low	33			10 ~ 80	Decides output data of DAC for temperature		
6	Temp High	41			30 ~ 80	Decides output data of DAC for temperature		
7	Fan-1 Temp Error	58			30 ~ 80	Temperature which CPU judges the abnormal temperature (optical unit temperature, on Main board)		
8	Fan-2 Temp Error	49			30 ~ 80	Temperature which CPU judges the abnormal temperature (outside temperature, on Temp board)		
9	Fan-1 Speed Monitor	-			0 ~ 255	Read only, displays DAC output data		
10	Fan-2 Speed Monitor	-			0 ~ 255	Read only, displays DAC output data		
11	Temp Monitor	-			0 ~ 9999	Read only, upper 2 byte for Fan-1 and lower 2 byte for Fan-2		
Group: 12 PC Real / AV Cinema								
0	PC Real Contrast	32			0 ~ 63			
1	PC Real Brightness	32			0 ~ 63			
2	PC Real Red	32			0 ~ 63			
3	PC Real Green	32			0 ~ 63			
4	PC Real Blue	32			0 ~ 63			
5	PC Real Gamma	8			0 ~ 15			
6	AV Cinema Contrast	32			0 ~ 63			
7	AV Cinema Brightness	32			0 ~ 63			
8	AV Cinema Color	32			0 ~ 63			
9	AV Cinema Tint	32			0 ~ 63			
10	AV Cinema Red	32			0 ~ 63			
11	AV Cinema Green	32			0 ~ 63			
12	AV Cinema Blue	32			0 ~ 63			
13	AV Cinema Sharpness	15			0 ~ 31			
14	AV Cinema Gamma	8			0 ~ 15			
Group: 500 ADC								
0	ADC R-OFFSET	64			0 ~ 255			
1	ADC G-OFFSET	64			0 ~ 255			
2	ADC B-OFFSET	64			0 ~ 255			

Electrical Adjustments

No.	Adjustment Item	Initial Value	Range	Description
3	ADC R-GAIN	254	0 ~ 255	
4	ADC G-GAIN	254	0 ~ 255	
5	ADC B-GAIN	254	0 ~ 255	
Group: 510 NTSC Gakaku				
0	NTSC TOTAL DOTS	2626	0 ~ 2047	
1	NTSC DISP DOTS	1024	0 ~ 2047	
2	NTSC H BACK PORCH	230	0 ~ 2047	
3	NTSC V BACK PORCH	46	0 ~ 2047	
4	NTSC DISP LINE	456	0 ~ 2047	
5	NTSC CLAMP	4	0 ~ 2047	
Group: 511 PAL Gakaku				
0	PAL TOTAL DOTS	2690	0 ~ 2047	
1	PAL DISP DOTS	1024	0 ~ 2047	
2	PAL H BACK PORCH	266	0 ~ 2047	
3	PAL V BACK PORCH	62	0 ~ 2047	
4	PAL DISP LINE	533	0 ~ 2047	
5	PAL CLAMP	4	0 ~ 2047	
Group: 512 HDTV 1080i-60 Gakaku				
0	TOTAL DOTS	1206	0 ~ 2047	
1	DISP DOTS	1024	0 ~ 2047	
2	H BACK PORCH	145	0 ~ 2047	
3	V BACK PORCH	52	0 ~ 2047	
4	DISP LINE	1048	0 ~ 2047	
5	CLAMP	5	0 ~ 2047	
Group: 513 HDTV 1080i-50 Gakaku				
0	TOTAL DOTS	1448	0 ~ 2047	
1	DISP DOTS	1024	0 ~ 2047	
2	H BACK PORCH	144	0 ~ 2047	
3	V BACK PORCH	64	0 ~ 2047	
4	DISP LINE	1044	0 ~ 2047	
5	CLAMP	5	0 ~ 2047	
Group: 514 HDTV 1035i Gakaku				
0	TOTAL DOTS	1206	0 ~ 2047	
1	DISP DOTS	1024	0 ~ 2047	
2	H BACK PORCH	145	0 ~ 2047	
3	V BACK PORCH	90	0 ~ 2047	
4	DISP LINE	1006	0 ~ 2047	
5	CLAMP	5	0 ~ 2047	
Group: 515 HDTV 720p Gakaku				
0	TOTAL DOTS	1354	0 ~ 2047	
1	DISP DOTS	1024	0 ~ 2047	
2	H BACK PORCH	260	0 ~ 2047	
3	V BACK PORCH	36	0 ~ 2047	
4	DISP LINE	698	0 ~ 2047	
5	CLAMP	5	0 ~ 2047	
Group: 516 HDTV 575p Gakaku				
0	TOTAL DOTS	1348	0 ~ 2047	
1	DISP DOTS	1024	0 ~ 2047	
2	H BACK PORCH	240	0 ~ 2047	
3	V BACK PORCH	60	0 ~ 2047	
4	DISP LINE	524	0 ~ 2047	
5	CLAMP	0	0 ~ 2047	
Group: 517 HDTV 480p Gakaku				
0	TOTAL DOTS	1288	0 ~ 2047	
1	DISP DOTS	1024	0 ~ 2047	
2	H BACK PORCH	212	0 ~ 2047	
3	V BACK PORCH	46	0 ~ 2047	
4	DISP LINE	451	0 ~ 2047	
5	CLAMP	0	0 ~ 2047	

Test Points and Locations

● MAIN BOARD



No Power

The possible causes of No Power are listed below. Please check following and refer to power supply and protection circuits diagram in the figure opposite.

1. Stop the operation of power supply circuit due to detection of abnormality.

- Detected the abnormality on the secondary power supply lines.
 - Power failure detection diodes detect an abnormal voltage on the power supply. Check the shortage of secondary circuits, ICs, condensers, etc.
- Detected the operation stop of cooling fans.
 - Power failure detection diodes detect the fan operation stop. Check Fans FN901, FN902, FN903, FN904, FN905 and FN906
 - Check fan's power supply lines and detection diodes and transistors D69A, D69B, D69C and Q69A
- Detected the abnormal temperature rise inside the projector.
 - Temperature sensor ICs detect abnormal temperature. Check peripheral circuits and sensor ICs IC4881 and IC2881.
 - Thermal switch (TSW611) detects abnormal temperature. Check peripheral circuits and TSW611.
 - TSW611..... open in normal
 - TSW611 shorts when the peripheral temperature is over 90°C.
 - Thermal switch (SW902) detects abnormal temperature. Check peripheral circuits and SW902.
 - SW902..... short in normal
 - SW902 opens when peripheral temperature is over 100°C.
- Detected the abnormality on the lamp ballast unit.
 - The lamp ballast unit outputs error signal (LAMP_ERR) to pin 47 of IC801.
 - LAMP_ERR High in abnormal
- Detected the over load/over voltage on power supply circuit.
 - Feedback circuits detect over load or over voltages. Check PC641, PC642 and peripheral circuits.
- Operated the mechanical protect on the Interlock switch (SW904). Check lamp cover fixed correctly.
- Fuse (F601) open.

2. Abnormality occurs on drive signals for power or lamp circuit.

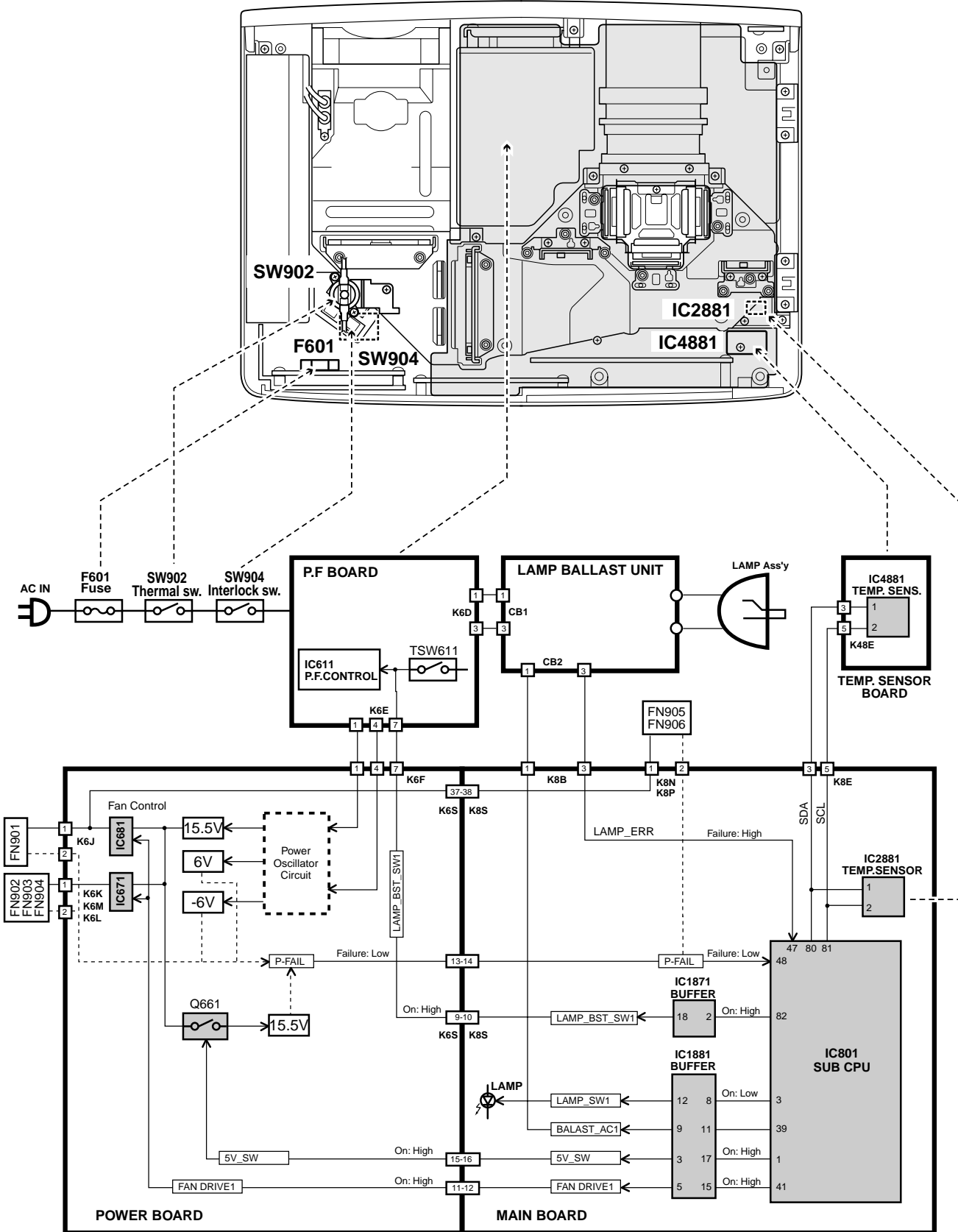
- Abnormality on power starter signals (POWER, 5V_SW).
 - POWER signal is output from pin 1 of IC801 and sent to pin 17 of IC1881, and output from pin 3 by the name of 5V_SW signal. 5V_SW signal drives 15.5V and 9VMCI power supply circuits on the power board.
 - POWER/5V_SW High in powered on
 - Check POWER and 5V_SW signals, 9V regulator circuit Q65A, Q65B, Q65C, IC65A and peripheral circuit, 15.5V switch circuit Q661, Q662 and peripheral circuit on the Power Board.

- Abnormality on lamp ballast drive signal (BALAST_AC).
 - BALAST_AC signal is output from pin 39 of IC801 and sent to pin 11 of IC1881, and output from pin 9 by the name of BALAST_AC1 signal. BALAST_SW1 signal drives the lamp ballast unit.
 - Check BALAST_AC and BALAST_AC1 signals and lamp ballast unit.
- Abnormality on fan drive signal (FAN DRIVE).
 - FAN DRIVE signal is output from pin 41 of IC801 and sent to pin 15 of IC1881, and output from pin 5 by the name of FAN DRIVE1 signal. FAN DRIVE1 signal drives fan supply voltages (12V/12V1) on the power board.
 - FAN DRIVE/
FAN DRIVE1 High in power on
 - Check FAN DRIVE/FAN DRIVE1 signals, 12V regulator circuits IC681, Q681, Q682, Q66A, IC671, Q671, Q672 and peripheral circuits.
- Abnormality on power drive signal (LAMP_BST_SW).
 - LAMP_BST_SW signal is output from pin 82 of IC801 and sent to pin 2 of IC1871, and output from pin 18 by the name of LAMP_BST_SW1 signal. LAMP_BST_SW1 signal drives the power factor control IC on the P.F. board through the Power board.
 - LAMP_BST_SW/
LAMP_BST_SW1 High in power on
 - Check LAMP_BST_SW and LAMP_BST_SW1 signal, photo-coupler PC643, transistors Q651, Q641 and peripheral circuits.

3. Abnormality occurs on the power circuit.

- Abnormality on power primary circuit
 - Check Line filters, L601, L602, D614, L611, IC631, D632, etc.
- Abnormality on power secondary circuit
 - Check D651, D652, D653, IC651, etc.

Power supply drive and protection diagrams and locations



No Picture

The possible causes of No Picture are listed below. Please check following and refer to video signal processing diagrams in the figure opposite.

1. No picture from Video source

Composite Video Input

Check composite video signal at pins 45 and 46 of K10U on AV Board and K3U on Main Board.

Check Y, C signals at pins 7 and 9 of IC2101.

Check Y, C signals at pins 5 and 7 of IC1101

S-Video Input

Check S-video signals at pins 39, 40 (Y), 41, 42 (C) of K10U and K3U.

Check Y, C signals at test points TP11SC and TP11SY.

Check Y, C signals at pins 43 and 44 of IC1101.

Component Input

Check component signals at pins 49, 50(Pb), 51, 52 (Pr) of K10U and K3U.

Check component signals (Y, Pr, Pb) at test points TP11CV, TP11PB and TP11PR.

All of video signals

Check component signals (Y, Cr, Cb) at pins 21, 22 and 23 of IC1101.

Check component signals (Y, Cr, Cb) at pins 67, 68 and 69 of IC4101.

Check component signals (Y, Pr, Pb) at pins 73, 74 and 75 of IC4101.

Check Sync signals (AV_HSYNC, AV_VSYNC) at pins 4 and 9 of IC1101.

Check Sync signals (AV_HSYNC, AV_VSYNC) at pins 65 and 66 of IC4101.

Check RGB signals at pin 35, 37 and 39 of IC4101.

Check RGB signals at pins 14, 4 and 15 of IC3101.

Check blanking signal at pin 9, 10, 11 of IC3101.

Check RGB signals at pins 1, 3 and 5 of IC5241.

Check Sync signals (AV_HSYNC, AV_VSYNC) at pins 2 and 12 of IC6261.

Check AV/PC switching signal at pin 22 of IC5241 and pins 10 and 11 of IC6261.

AV : Low, PC : High

2. No picture from Computer source

Check RGB signals at pins 3-4, 7-8 and 11-12 of K10T on AV Board and K3T on Main Board.

Check Sync signals (PC_HSYNC, PC_VSYNC) at pins 15-16 and 19-20) of K10T on AV Board and K3T on Main Board.

Check RGB signals at pins 12, 10 and 8 of IC5241.

Check Sync signals at pins 1 and 13 of IC6261.

Check AV/PC switching signal at pin 22 of IC5241 and pins 10 and 11 of IC6261.

AV : Low, PC : High

3. No picture from both of Video and Computer sources.

Check RGB signals at test points TP52R, TP52G and TP52B.

Check RGB signals at test points TP201R, TP5201G and TP201B.

Check HSYNC signal at test point TP205.

Check Sync signals at test points at TP62H and TP62V.

4. No picture from DVI source.

Check 9V power supply(9VMCI) at pins 33-36, (3.3V) at pins 39-40 of K10W and K2W, and (5VD) at pins 3-4 of K10V and K3V.

Check Sync signal at pins 16 and 18 of IC8081.

Check ICs IC8001, IC7021, IC7031 and peripheral circuits.

5. No picture from all of sources

Check RGB S&H signals at test points TP25B1, TP25B2, TP25G1, TP25G2, TP25R1 and TP25R2.

Check NRS signals at test points TP3551 and TP3581.

Check power supply circuit 15.5V and 15VL and peripheral circuit.

Check ICs IC501, IC531, IC561, IC1501, IC1531, IC1561, IC3501, IC3531, IC3561, IC801, IC301, IC401 and peripheral circuits.

SIGNAL	K10T/K3T	SIGNAL	K10U/K3U
V-Sync	19-20	Video	45-46
H-Sync	15-16	S-C	41-42
B	11-12	S-Y	39-40
G	7-8	PB	49-50
R	3-4	PR	51-52

No Sound

1. No audio signals at AV input circuit.

Check audio signals at pins 14 and 15 of IC5011 on AV Board. Check IC5011 and peripheral circuits.

2. Incorrect operation of VIDEO/COMPUTER mode switching.

Check AV/PC switching signal at pins 10 and 11 of IC5011. Check IC5011, IC801 and switching signal.

AV : Low, PC : High

3. No audio output signal at speaker.

Check audio signal at pins 1 and 3 of K8F on Main Board. Check MUTE signal at pin 1 of IC001.

Mute On : Low

Check MUTE signal at pin 7 of IC1831, pins 7 and 13 of IC1881, and peripheral circuit.

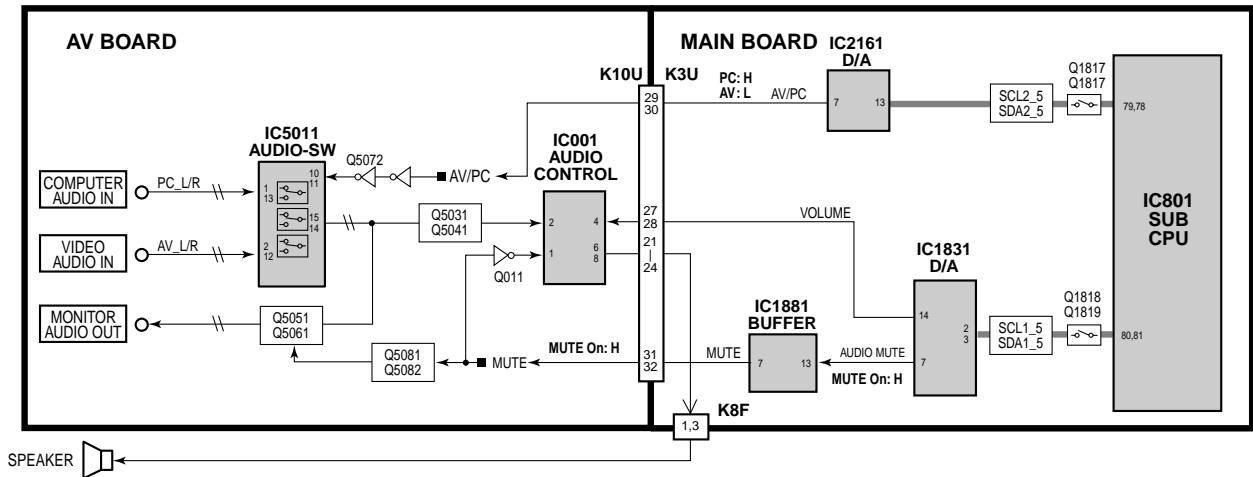
Mute On : High

Check sound volume signal at pin 4 of IC001, and pin 14 of IC1831. Check IC IC001, IC1831 and peripheral circuit.

Volume Min.: Low

4. No power supply at audio circuit.

Check 6V(6V AUDIO) power supply line.



Lens Motor Problems

1. No drive signals supplied at motors

Check drive signals at pins 1 to 4 of K6U on Power Board. Check ICs IC5501, IC5551 and peripheral circuits. Check motor drive power supply (9VMCI).

2. No drive signals supplied at motor drive ICs.

Check drive signals at pins 3-4 (ZOOM), 5-6 (FOCUS) of K6S. Check IC801.

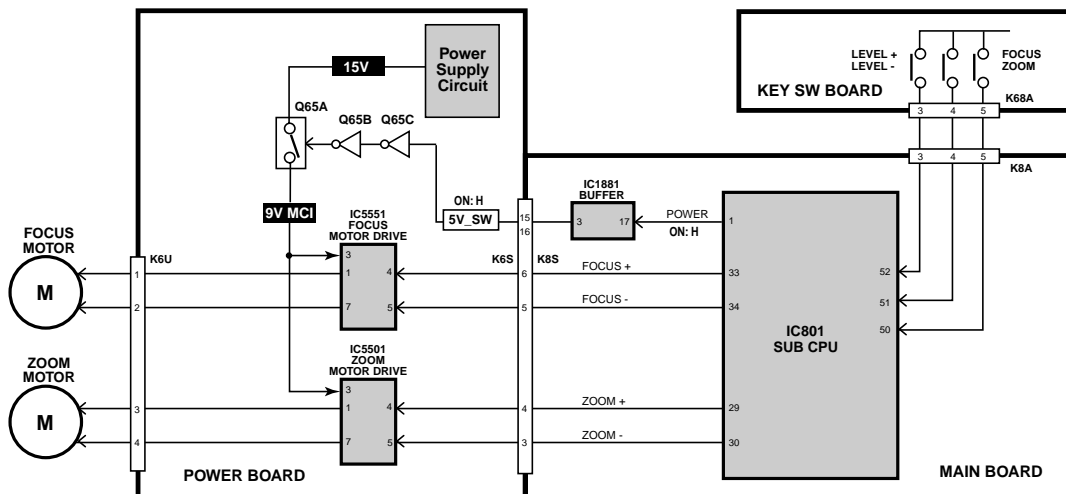
3. No drive signals output from CPU.

Check drive signals at pins 29,30, 33, 34 of IC801(SUB CPU). Check IC801.

4. No key switch signals input to CPU.

Check signals at pins 50 to 52 of IC801 when pressing the key buttons. Check key buttons.

Input		Output		Operation
4	5	7	1	
H	L	L	H	Forward drive
L	H	H	L	Reverse drive
H	H	L	L	Braking
L	L	-	-	Stand by



■ Control Port Functions

● System Control & I/O Port Table (IC801)

Pin No.	Name	Function Name	Function	I/O	Action
1	PE5/D5	POWER_SW	Power_SW	O	H: On
2	PE6/D6	SYS_SW	Peripheral IC power supply SW	O	L: on
3	PE7/D7	LAMP_SW	Lamp SW	O	H: On
4	PD0/D8	DATA0	Data Bus 0	I/O	-
5	PD1/D9	DATA1	Data Bus 1	I/O	-
6	PD2/D10	DATA2	Data Bus 2	I/O	-
7	PD3/D11	DATA3	Data Bus 3	I/O	-
8	PD4/D12	DATA4	Data Bus 4	I/O	-
9	PD5/D13	DATA5	Data Bus 5	I/O	-
10	PD6/D14	DATA6	Data Bus 6	I/O	-
11	PD7/D15	DATA7	Data Bus 7	I/O	-
12	CVCC	CVCC	Power supply	-	-
13	PC0/A0	ADDRESS0	Address Bus 0	O	-
14	VSS	VSS	Vss	-	-
15	PC1/A1	ADDRESS1	Address Bus 1	O	-
16	PC2/A2	ADDRESS2	Address Bus 2	O	-
17	PC3/A3	ADDRESS3	Address Bus 3	O	-
18	PC4/A4	ADDRESS4	Address Bus 4	O	-
19	PC5/A5	ADDRESS5	Address Bus 5	O	-
20	PC6/A6	ADDRESS6	Address Bus 6	O	-
21	PC7/A7	ADDRESS7	Address Bus 7	O	-
22	PB0/A8/TIOCA3	ADDRESS8	Address Bus 8	O	-
23	PB1/A9/TIOCB3	ADDRESS9	Address Bus 9	O	-
24	PB2/A10/TIOCC3	ADDRESS10	Address Bus 10	O	-
25	PB3/A11/TIOCD3	ADDRESS11	Address Bus 11	O	-
26	PB4/A12/TIOCA4	ADDRESS12	Address Bus 12	O	-
27	PB5/A13/TIOCB4	ADDRESS13	Address Bus 13	O	-
28	PB6/A14/TIOCA5	ADDRESS14	Address Bus 14	O	-
29	PB7/A15/TIOCB5	ZOOM +	Zoom +	O	L: Zoom +
30	PA0/A16	ZOOM -	Zoom -	O	L: Zoom -
31	PA1/A17/TxD2	Tx	RS232C TxD	O	L: active
32	PA2/A18/RxD2	Rx	RS232C RxD	I	L: active
33	PA3/A19/SCK2	FOCUS +	Focus +	O	L: Focus +
34	P10/TIOCA0/A20	FOCUS -	Focus -	O	L: Focus -
35	P11/TIOCB0/A21	R/C	Remote control signal input	I	L: active
36	P12/TIOCC0/TCLKA/A22	USB_RESET	USB Reset signal output	O	L: active
37	P13/TIOCD0/TCLKB/A23	USB_BRST	USB_BRST	O	L: On"
38	P14/TIOCA1/IRQ0	SCLK	Serial clock output	O	H: active
39	P15/TIOCB1/TCLKC	BLAST_AC	Lamp Ballast control signal	O	H: on
40	P16/TIOCA2/IRQ1	TXD_SW	TXD_SW	O	H: PW-Main CPU
41	P17/TIOCB2/TCLKD	FAN_ON/OFF	Fan Drive output	O	H: on
42	AVSS	Avss	A/D ground	-	-
43	P97/DA1	PIXEL_WRITE	PIXEL write	I	L: PW write
44	P96/DA0	TEMP_DET	TEMP DET	I	L: Temperature abnormal
45	P47/AN7	OPT2	Option input	I	L: XGA H: SVGA
46	P46/AN6		Not used	I	
47	P45/AN5	LAMP_ERR	Lamp Error	I	H: Lamp not lit
48	P44/AN4	POWER_FAIL	Power Fail (Abnormal less than 2V)	I	Abnormal less that 1V
49	P43/AN3	OPT1	Destination option	I	
50	P42/AN2	KEY3	Key Input3 (A/D Input)	I	
51	P41/AN1	KEY2	Key Input2 (A/D Input)	I	
52	P40/AN0	KEY1	Key Input1 (A/D Input)	I	
53	Vref	Vref	Reference voltage for analog	-	-
54	AVCC	AVCC	A/D power supply	-	-
55	MD0	MD0	Operation mode control 0	I	Fixed L
56	MD1	MD1	Operation mode control 1	I	Fixed H
57	OSC2	OSC2	Sub-clock output (Not used)	O	open
58	OSC1	OSC1	Sub-clock output (Not used)	I	Connected to GND
59	RES	RESET	Reset input	I	Reset L to H
60	NMI	NMI	Non-maskable input (not used)	I	Fixed H
61	STBY	STBY	Stand-by	I	-
62	VCC	VCC	Vcc	-	-
63	XTAL	XTAL	Oscillator input	I	-
64	VSS	VSS	GND	-	-
65	EXTAL	EXTAL	Oscillator output	O	-
66	FWE	FEW	Write enable input for Flash ROM	I	H: Enable

Control Port Functions

Pin No.	Name	Function Name	Function	I/O	Action
67	MD2	MD2	Operation mode control 2	I	Fixed H
68	PF7/ϕ	ϕ	ϕ output	O	-
69	PF6/AS	AS	AS output	O	-
70	PF5/RD	RD	Read signal	O	Control for SRAM
71	PF4/HWR	HWR	Write signal (upper 8 bit)	O	Control for SRAM
72	PF3/LWR/ADTRG/IRQ3	IRO_CS	Color uniformity correction (E7050) Chip Select	O	L: active
73	PF2/WAIT	TURBO_CS	Turbo gate array Chip Select	O	H: active
74	PF1/BACK/BUZZ	SDA 4	IIC Bus 4 SDA	I/O	L: active
75	PF0/BREQ/IRQ2	FLASH_MODE	FWE control	O	
76	P30/TxD0	PW_TX	PW365 TxD	O	L: active
77	P31/RxD0	PW_RX	PW365 RxD	I	L: active
78	P32/SCK0/SDA1/IRQ4	SDA 2	IIC Bus 2 SDA	I/O	L: active
79	P33/TxD1/SCL1	SCL 2	IIC Bus 2 SCL	O	L: active
80	P34/RxD1/SDA0	SDA 1	IIC Bus 1 SDA (EEPROM,DAC-1)	I/O	L: active
81	P35/SCK1/SCL0/IRQ5	SCL 1	IIC Bus 1 SCL (EEPROM,DAC-1)	O	L: active
82	P36	BLAST_SW	Lamp ballast 400VON/OFF	O	H: on
83	P77/TXD3	MCI_TX	Viewer TxD	O	L: active
84	P76/RXD3	MCI_RX	Viewer RxD	I	L: active
85	P75/TMO3/SCK3	SCL 4	IIC Bus 4 SCL	O	L: active
86	P74/TMO2/MRES	M-RESET	Manual reset	I	L: reset
87	P73/TMO1/CS7	PW_IN0	PW365 data input 0	I	
88	P72/TMO0/CS6	PW_IN1	PW365 data input 1	I	
89	P71/TMRI23/TMCI23/CS5		Not used	O	Fixed L
90	P70/TMRI01/TMCI01/CS4		Not used	O	Fixed L
91	PG0/IRQ6	SDATA	Serial data output	O	L: active
92	PG1/CS3/IRQ7	USB_INTR	USB interrupt signal input	I	L active
93	PG2/CS2	CS 2	SRAM Chip Select	O	L: active
94	PG3/CS1	CS 1	USB Chip Select	O	L: active
95	PG4/CS0	CS 0	Not used	O	Fixed L
96	PE0/D0	SDA 3	IIC Bus 3 SDA	I/O	L: active
97	PE1/D1	SCL 3	IIC Bus 3 SCL	O	L: active
98	PE2/D2	PW_OUT0	PW365 Data output 0	O	
99	PE3/D3	PW_OUT1	PW365 Data output 1	O	
100	PE4/D4	PW_RESET	PW365 Reset output	O	Reset L -> H -> L

● IIC Bus I/O Expander (IC1851) Port Functions

Pin No.	Name	Function	Action	I/O
1	S	Reset	Open	-
2	SCL	IIC SCL	Active "L"	-
3	SDA	IIC SDA	Active "L"	-
4	D0	CARD_IN	L: CARD H: No CARD	IN
5	D1	VIEWER_ON	L: VIEWER Unit exist	IN
6	D2	SCDT1	DVI Sync. detection H: DVI	IN
7	D3	TURBO_LED	H: on L: off	OUT
8	VSS	GND	-	-
9	D4	WARNING_LED	H: on L: off	OUT
10	D5	LAMPREP_LED	H: on L: off	OUT
11	D6	READY_LED	H: on L: off	OUT
12	D7	Not used	Fixed "L"	OUT
13	VDD	5 V	Vcc	-
14	CS2	Chip Select 2	Fixed "L"	-
15	CS1	Chip Select 1	Fixed "L"	-
16	CS0	Chip Select 0	Fixed "H"	-

● IIC Bus I/O Expander (IC2181) Port Functions

Pin No.	Name	Function	Action	I/O
1	S	Reset	Open	-
2	SCL	IIC SCL	Active "L"	-
3	SDA	IIC SDA	Active "L"	-
4	D0	MOD 2	NTSC4.43: H else: L	OUT
5	D1	MOD 1	Fixed "L"	OUT
6	D2	PNR	NTSC, NTSC4.43: L else: H	OUT
7	D3	NTPL 2	PALM, PALN: H else: L	OUT
8	VSS	GND	-	-
9	D4	NTPL 1	PAL, PALN: H else: L IN	-
10	D5	Not used	Fixed "L"	OUT
11	D6	C -SWIN	Component signal detection (L: Component)	IN
12	D7	S_SW	S signal detection (L: S-Input)	IN
13	VDD	5 V	Vcc(5V)	-
14	CS2	Chip Select 2	Fixed "L"	-
15	CS1	Chip Select 1	Fixed "L"	-
16	CS0	Chip Select 0	Fixed "L"	-

● IIC Bus DA Converter (IC1831) Port Functions

Pin No.	Name	Function	Action
1	R	Reset	Fixed "H"
2	SCL	IIC SCL	Active "L"
3	SDA	IIC SDA	Active "L"
4	AO7	FAN_CONT_1	0xFFh:Min 0x00h:Max
5	AO8	FAN_CONT_2	0xFFh:Min 0x00h:Max
6	AO9	EDIDEN	L: H8 side H: PC side
7	AO10	AUDIOMUTE	L: Mute Off H: Mute On
8	AO11	PWRDNO	AD Power down (L:DVI/MCI H:PC)
9	AO12	DCOM_OFF	Digital Comb Filter Usage H: used L: No used
10	VrefL		D/A converter lower ref. voltage Connect to GND
11	VrefU1		D/A converter upper ref. voltage (CH7~CH12) Vcc
12	GND	GND	GND
13	VrefU2		D/A converter upper ref. voltage (CH1~CH6) Vcc
14	AO1	VOL_CNT	Control sound output volume, L: minimum
15	AO2	Not used	Fixed L
16	AO3	MOUSE	Air mouse On/Off H: On L: Off
17	AO4	MOUSE_RESET	Air mouse CPU reset Reset start: H->L->H
18	AO5	TURBO +	Turbo motor control (+) L: On
19	AO6	TURBO -	Turbo motor control (-) L: On
20	Vcc	Digital power supply	
21	Vdd	Analog power supply	
22	CS2	Chip Select 2	Fixed "H"
23	CS1	Chip Select 1	Fixed "H"
24	CS0	Chip Select 0	Fixed "L"

● IIC Bus DA Converter (IC2161) Port Functions

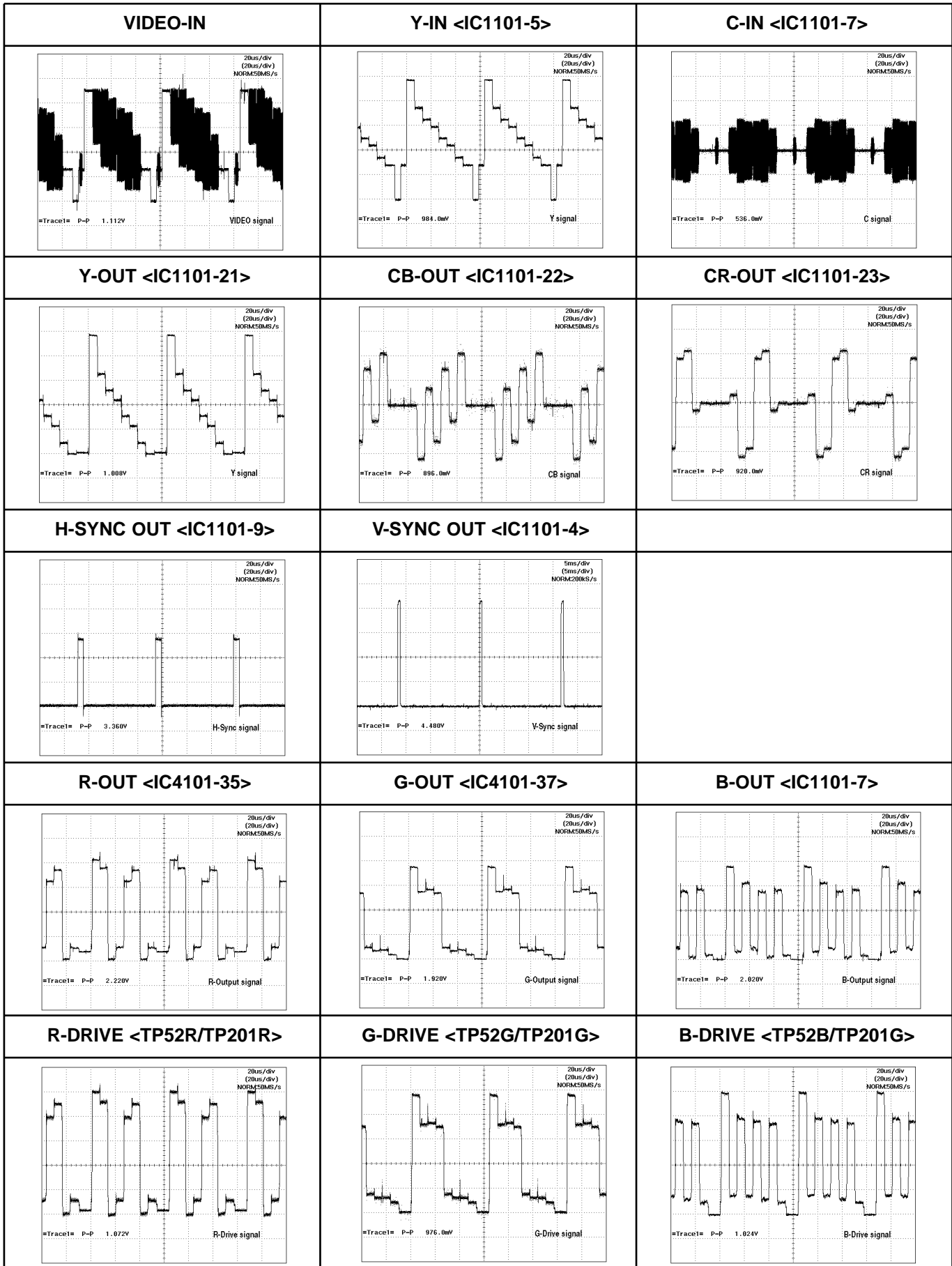
Pin No.	Name	Function	Action
1	R	Reset	Fixed "H"
2	SCL	IIC SCL	Active "L"
3	SDA	IIC SDA	Active "L"
4	AO7	RCLP	R Signal clamp reference voltage
5	AO8	GCLP	G Signal clamp reference voltage
6	AO9	BCLP	B Signal clamp reference voltage
7	AO10	AV/PC	AV/PC switch (L: AV H: PC)
8	AO11	SYNC_SW	Fixed "H"
9	AO12	G_BLK_DC	Video G signal pedestal voltage
10	VrefL		D/A converter lower ref. voltage Connected to GND
11	VrefU1		D/A converter upper ref. voltage (CH7~CH12) Vcc(5V)
12	GND	GND	GND
13	VrefU2		D/A converter upper ref. voltage(CH1~CH6) Vcc(5V)
14	AO1	SCP_SW	Sandcastle pulse SW Video/S-Video/480i/575i: L else: H
15	AO2	BLANK_SW	H Blank width SW 1080i/1035i/720p/480p/575p: H else: L
16	AO3	MACRO	H: PC, AV(1080i50Hz) L: AV
17	AO4	CBAL_SW	Color uniformity correction SW
18	AO5	B_BLK_DC	Video B signal pedestal voltage
19	AO6	R_BLK_DC	Video R signal pedestal voltage
20	Vcc	Digital power supply	Vcc(5V)
21	Vdd	Analog power supply	Vcc(5V)
22	CS2	Chip Select 2	Fixed "L"
23	CS1	Chip Select 1	Fixed "H"
24	CS0	Chip Select 0	Fixed "H"

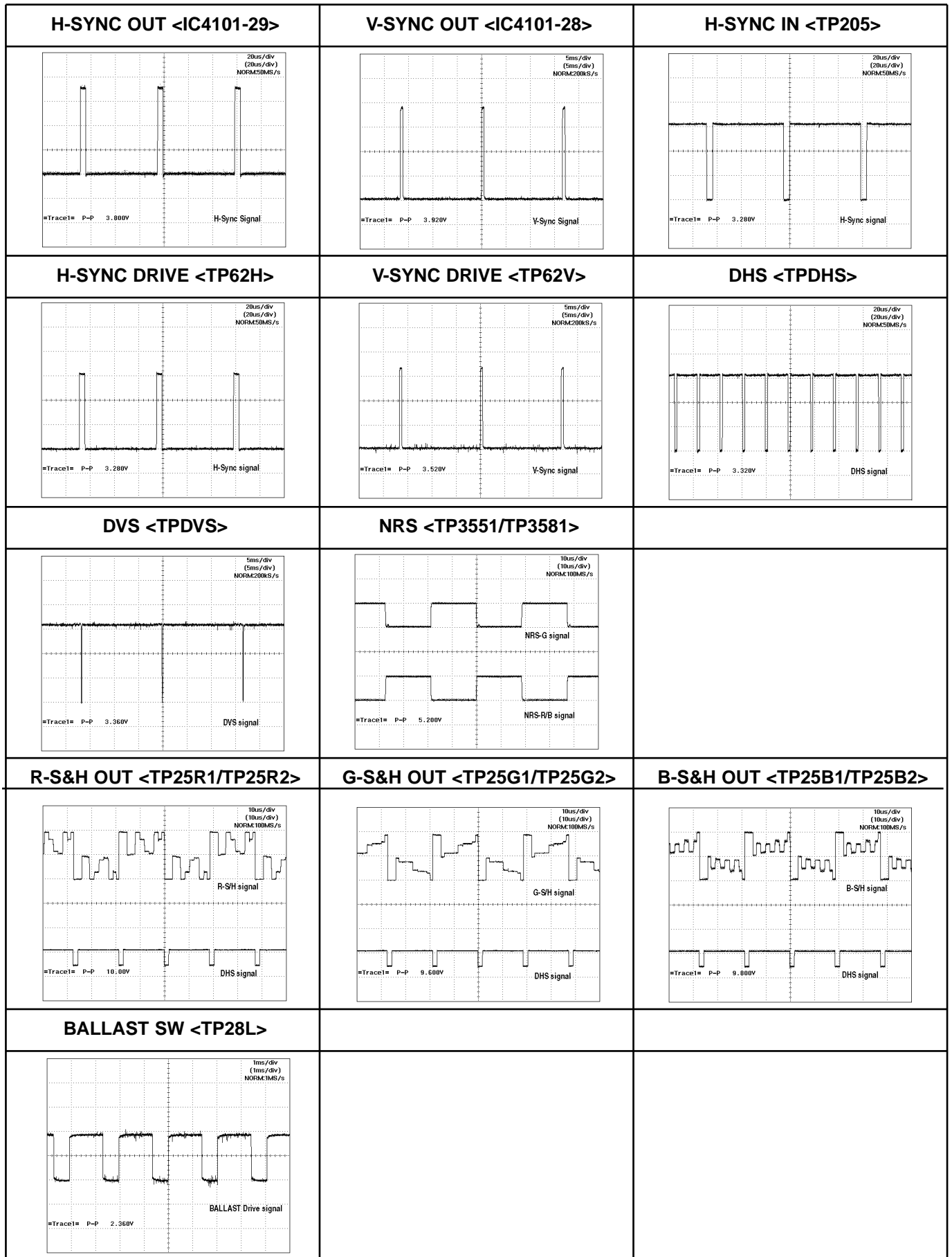
● IIC Bus DA Converter (IC1581) Port Functions

Pin No.	Name	Function	Action
1	R	Reset	Fixed "H"
2	SCL	IIC SCL	Active "L"
3	SDA	IIC SDA	Active "L"
4	AO7	REF_B	D/A reference voltage
5	AO8	REF_G	D/A reference voltage
6	AO9	REF_R	D/A reference voltage
7	AO10	Not used	0V fixed
8	AO11	Not used	0V fixed
9	AO12	Not used	0V fixed
10	VrefL		D/A converter lower ref. voltage Connected to GND
11	VrefU1		D/A converter upper ref. voltage (CH7~CH12) Vcc(5V)
12	GND	GND	GND
13	VrefU2		D/A converter upper ref. voltage (CH1~CH6) Vcc(5V)
14	AO1	B-CENT	Video center voltage
15	AO2	G-CENT	Video center voltage
16	AO3	R-CENT	Video center voltage
17	AO4	DWN	Panel control signal
18	AO5	RGT	Panel control signal
19	AO6	XRGT	Panel control signal
20	Vcc	Digital power supply	Vcc(5V)
21	Vdd	Analog power supply	Vcc(5V)
22	CS2	Chip Select 2	Fixed "L"
23	CS1	Chip Select 1	Fixed "L"
24	CS0	Chip Select 0	Fixed "L"

● IIC Bus DA Converter (IC2571) Port Functions

Pin No.	Name	Function	Action
1	R	Reset	Fixed "H"
2	SCL	IIC SCL	Active "L"
3	SDA	IIC SDA	Active "L"
4	AO5	Not used	
5	AO6	VCOMR	
6	AO7	VCOMG	
7	AO8	VCOMB	
8	VrefL		D/A converter lower ref. voltage Connected to GND
9	VrefU1		D/A converter upper ref. voltage (CH5~CH8) Connected to Vcc
10	GND	GND	GND
11	VrefU2		D/A converter upper ref. voltage (CH1~CH4) Connected to Vcc
12	AO1	NRSB	
13	AO2	NRSA	
14	AO3	Not used	
15	AO4	Not used	
16	Vcc	5V	Vcc(5V)
17	Vdd	5V	Vdd(5V)
18	CS2	Chip Select 2	Fixed "L"
19	CS1	Chip Select 1	Fixed "L"
20	CS0	Chip Select 0	Fixed "H"





■ Cleaning

After long periods of use, dust and other particles will accumulate on the LCD panel, prism, mirror, polarized glass, lens, etc., causing the picture to darken or color to blur. If this occurs, clean the inside of optical unit.

Remove dust and other particles using air spray. If dirt cannot be removed by air spray, disassemble and clean the optical unit.

Cleaning with air spray

1. Remove the cabinet top following to “Mechanical Disassemblies”.
2. Clean up the LCD panel and polarizing plate by using the air spray from the cabinet top opening.

Caution:

Use a commercial (inert gas) air spray designed for cleaning camera and computer equipment. Use a resin-based nozzle only. Be very careful not to damage optical parts with the nozzle tip. Never use any kind of cleanser on the unit. Also, never use abrasive materials on the unit as this may cause irreparable damage.

Disassembly Cleaning

Disassembly cleaning method should only be performed when the unit is considerably dirty and cannot be sufficiently cleaned by air spraying alone.

Be sure to readjust the optical system after performing disassembly cleaning.

1. Remove the cabinet top and main units following to “Mechanical Disassemblies”.
2. Remove the optical base top following to “Optical Unit Disassemblies”. If the LCD panel needs cleaning, remove the LCD panel unit following to “LCD panel replacement”.
3. Clean the optical parts with a soft cloth. Clean extremely dirty areas using a cloth moistened with alcohol.

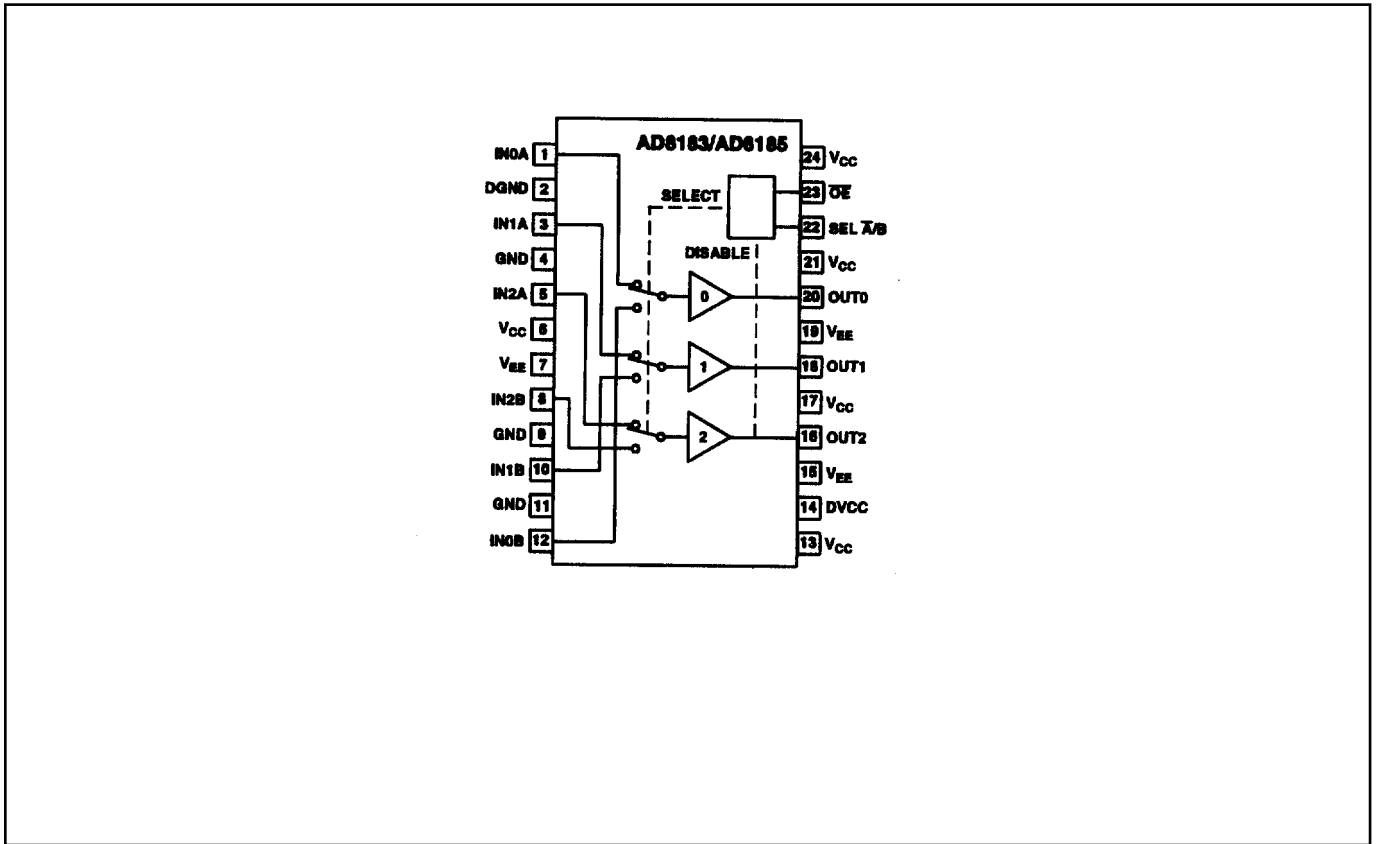
Caution:

The surface of the optical components consists of multiple dielectric layers with varying degrees of refraction. Never use organic solvents (thinner, etc.) or any kind of cleanser on these components.

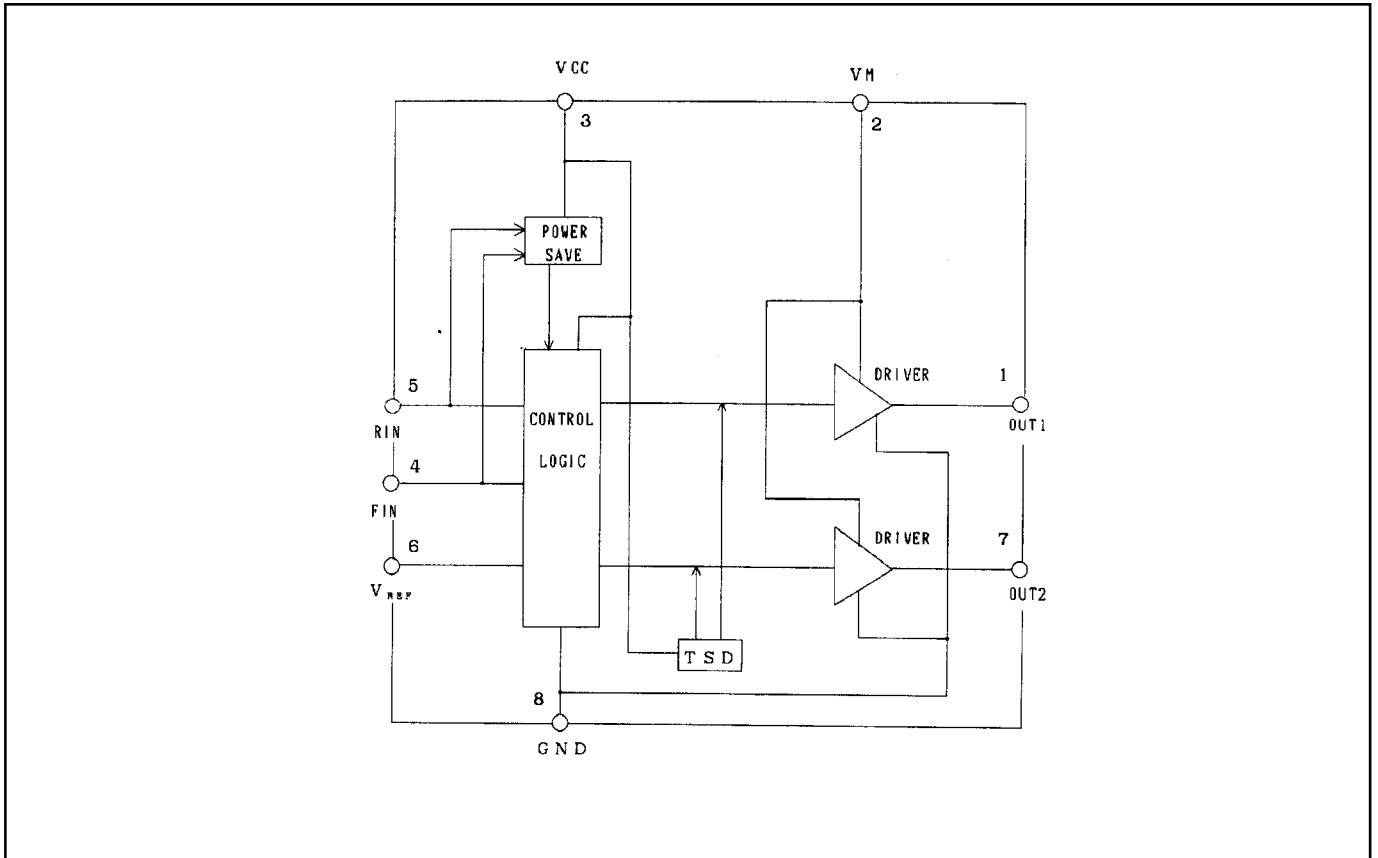
Since the LCD panel is equipped with an electronic circuit, never use any liquids (water, etc.) to clean the unit. Use of liquid may cause the unit to malfunction.

■ IC Block Diagrams

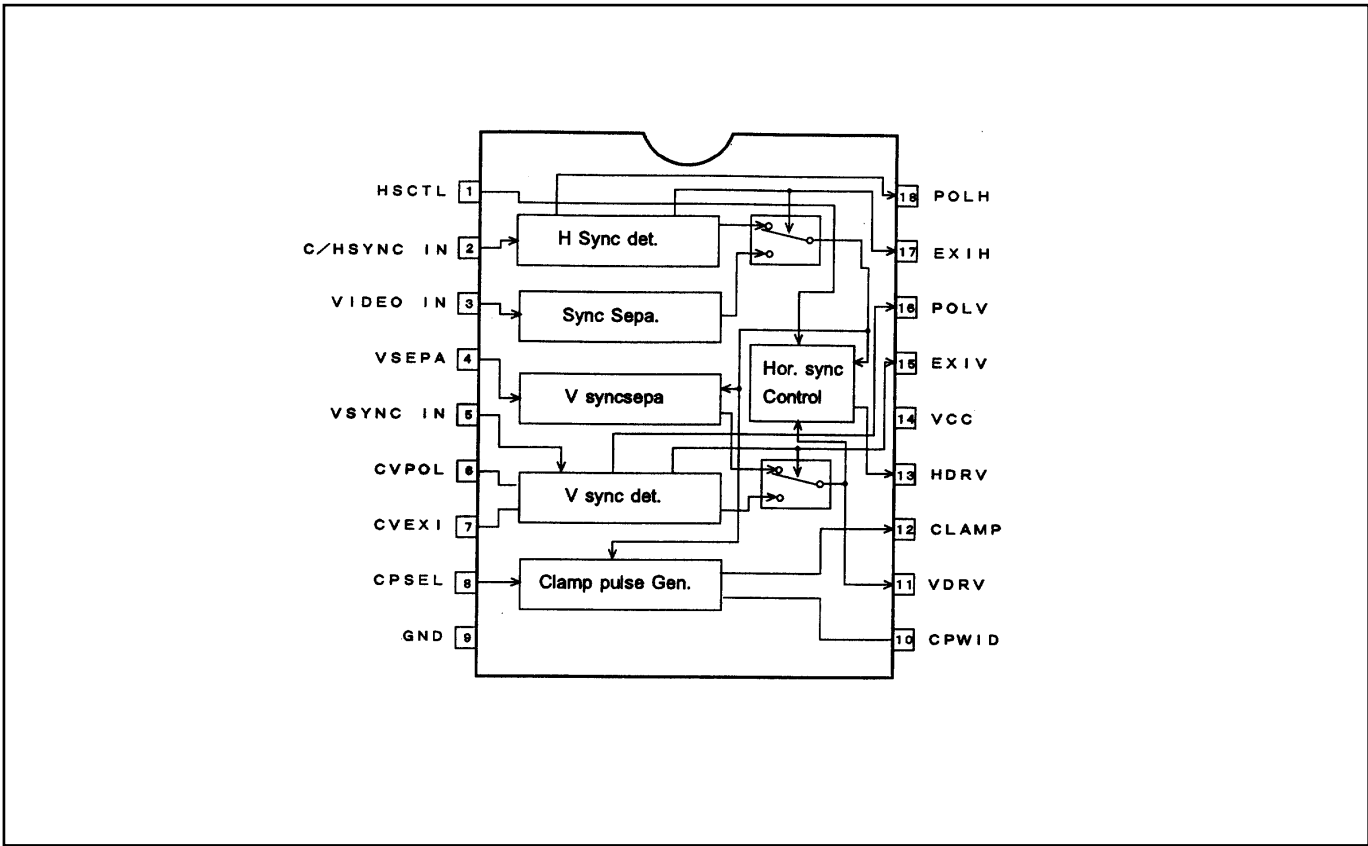
● AD8183ARU <Selector, IC5241>



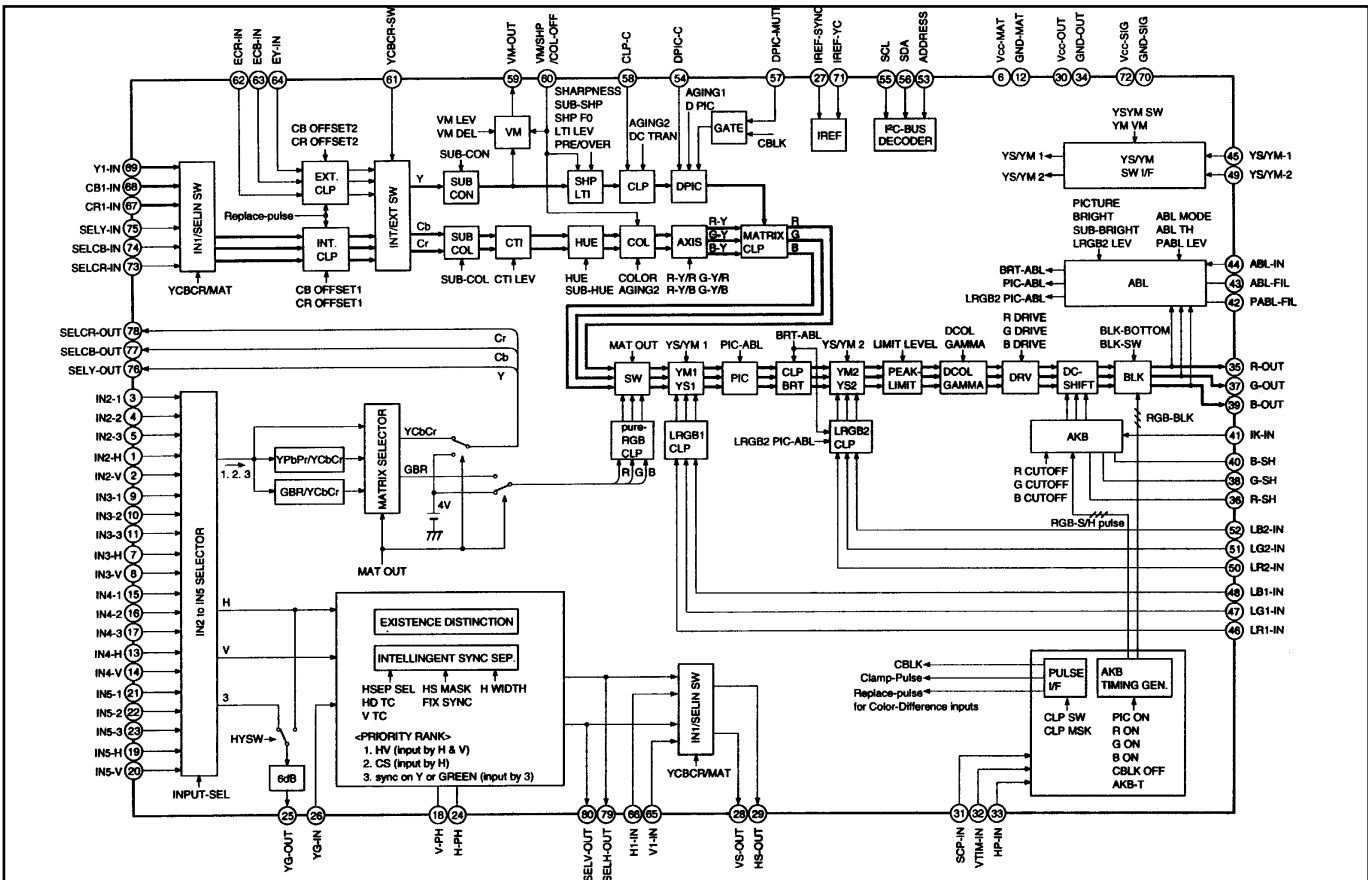
● BA6287F <Motor Drive IC5501, IC5551>



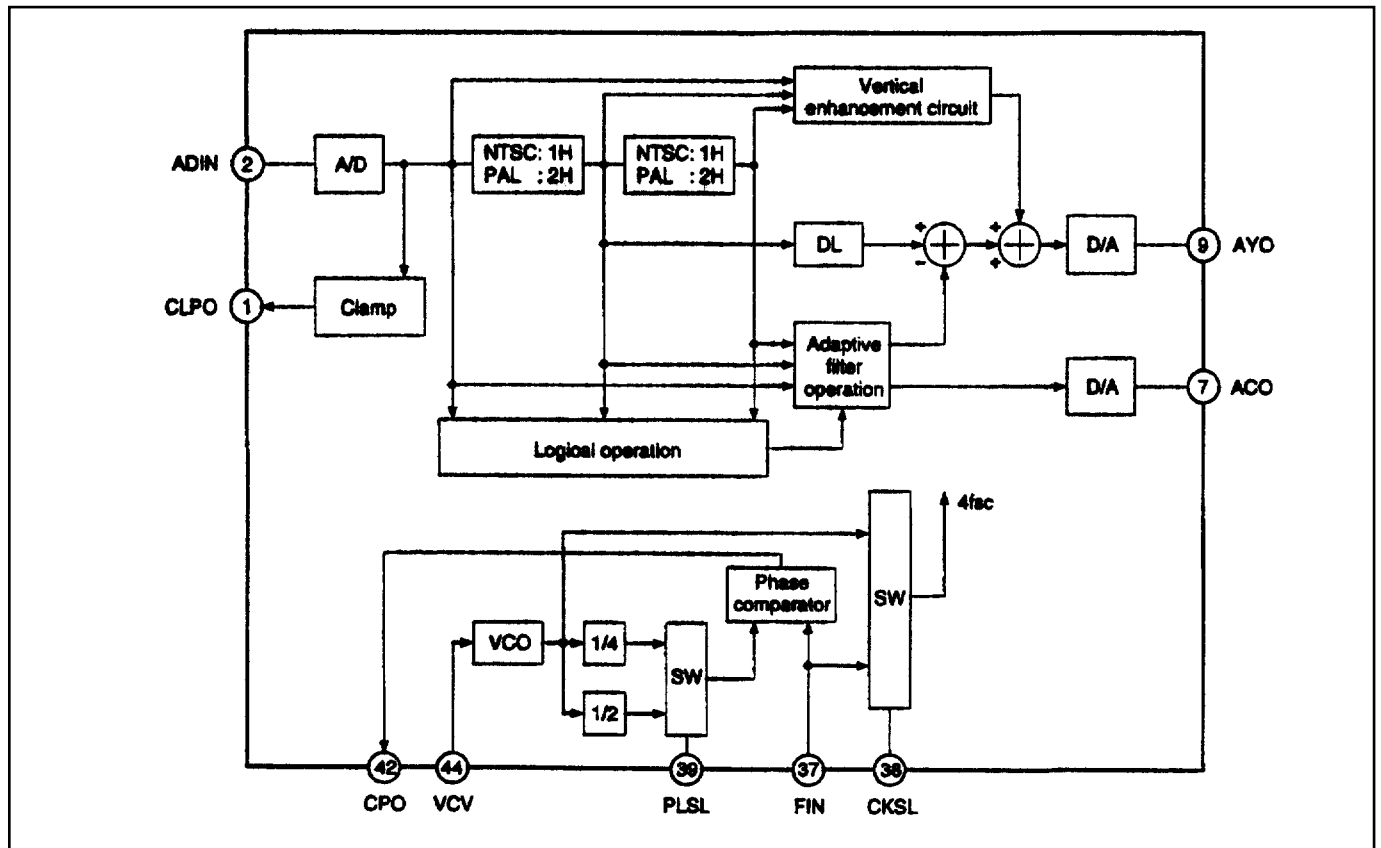
● BA7078AF <Selector, IC6241>



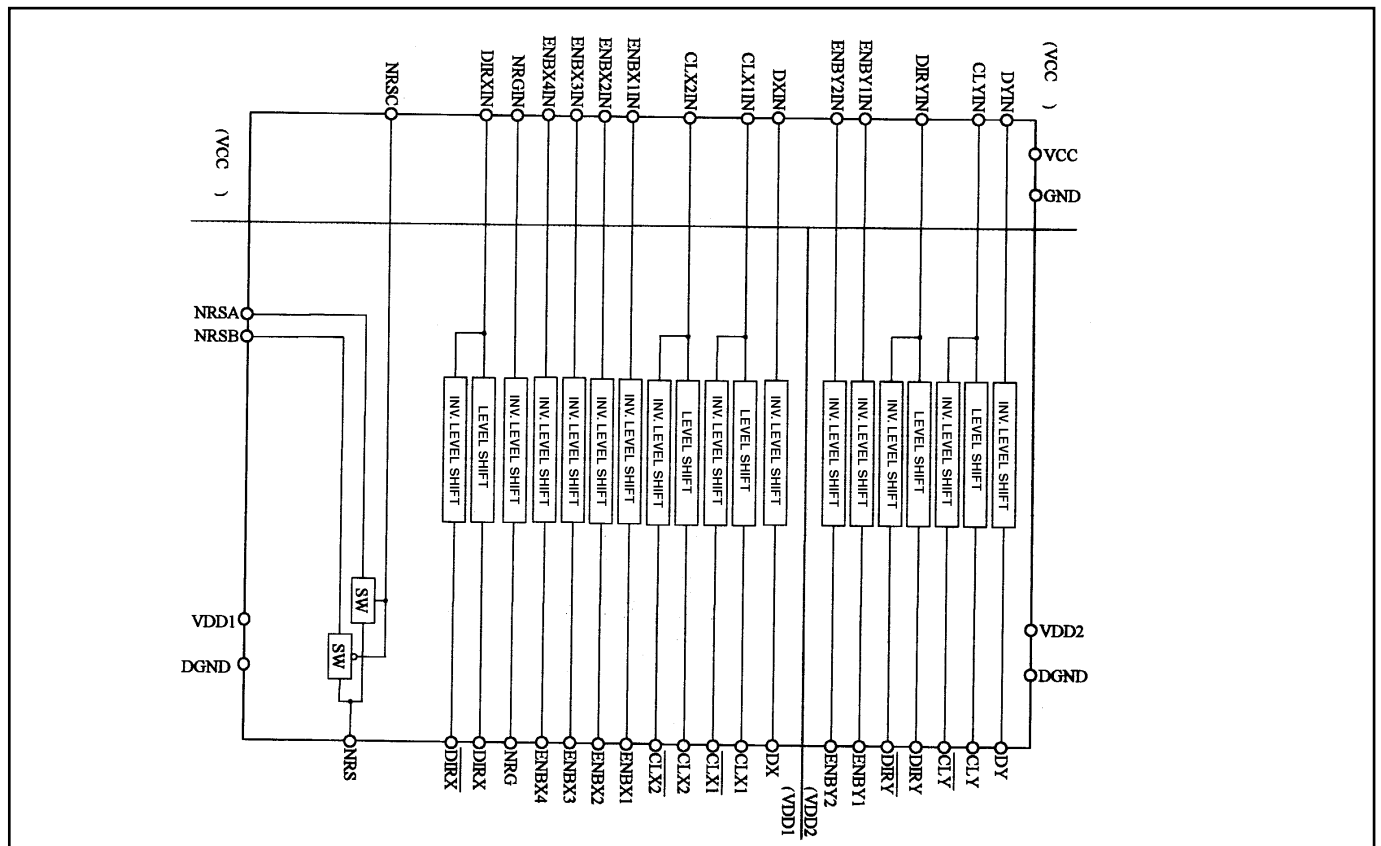
● CXA2101AQ <RGB Matrix, IC4101>



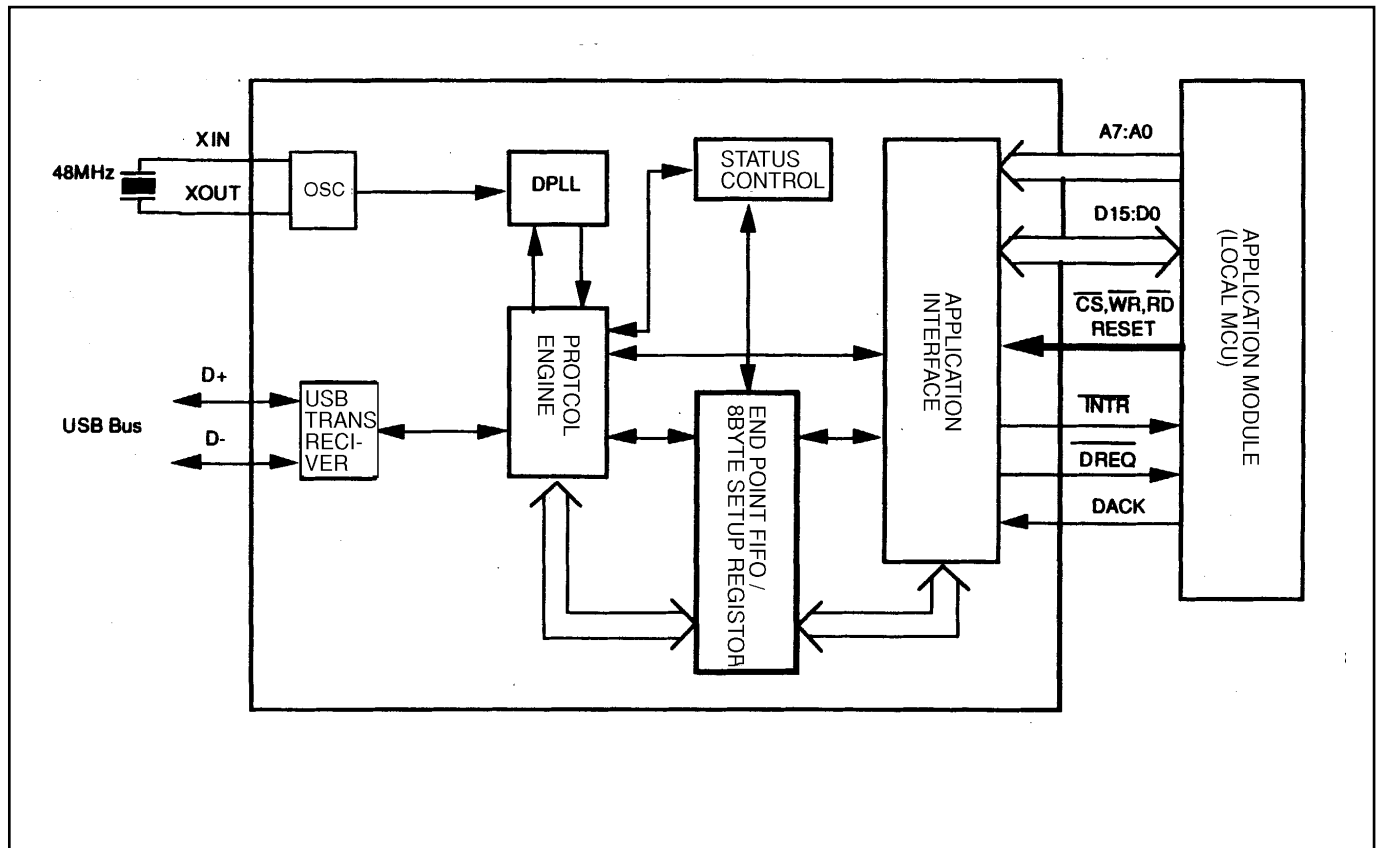
● CXD2064Q <Digital Comb Filter, IC2101>



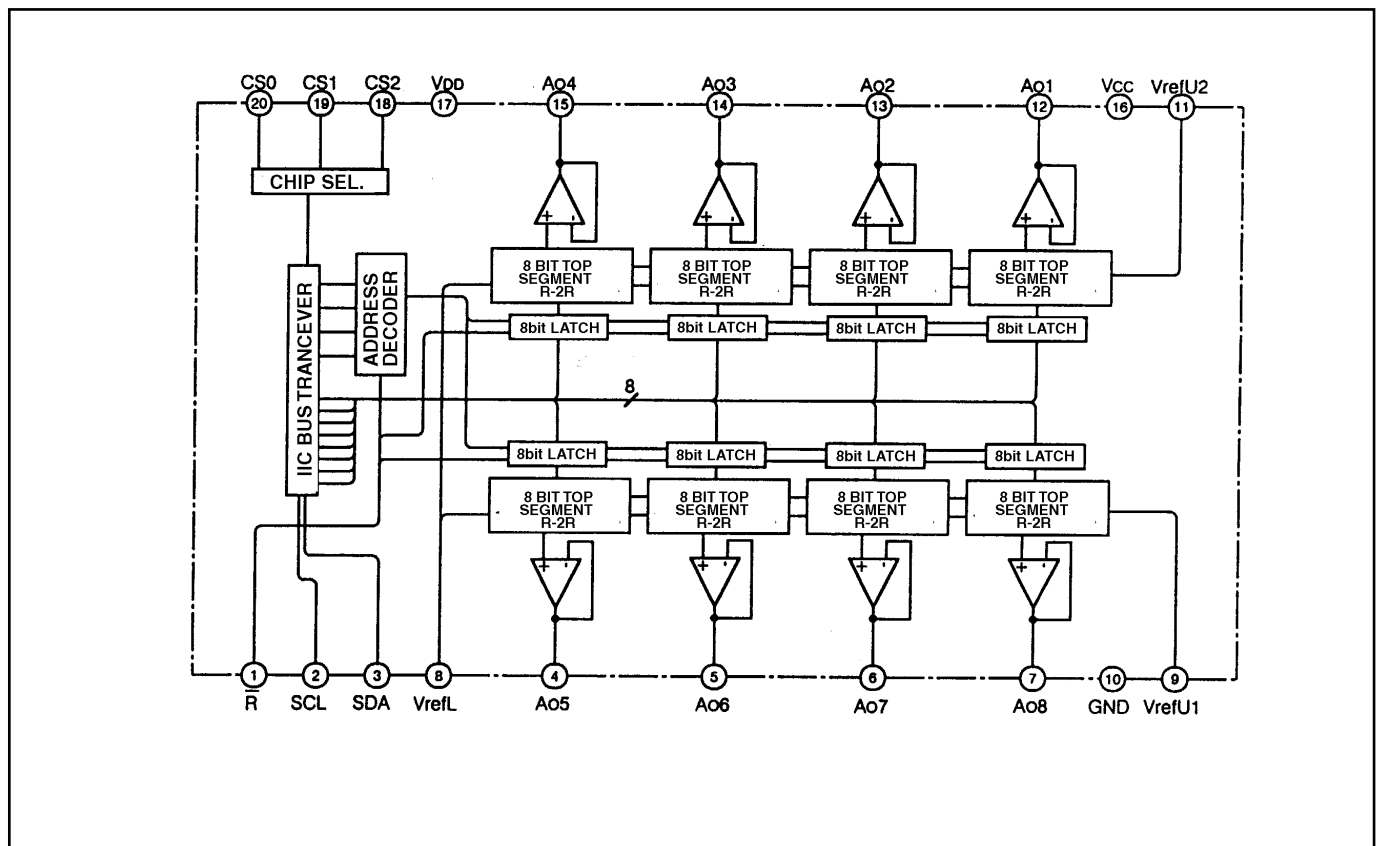
● L3E01031 <Level Shift, IC3501, IC3531, IC3561>



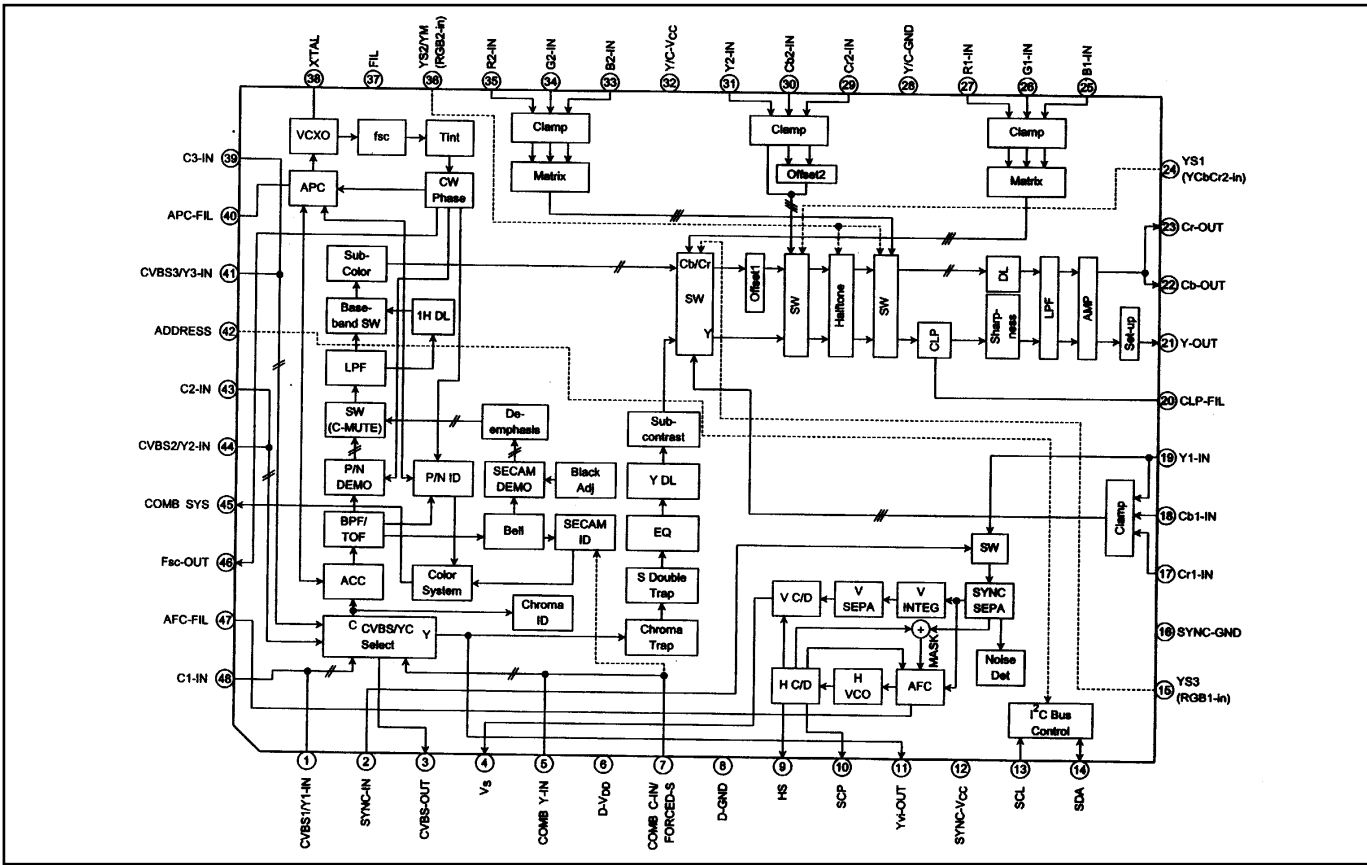
● ML60851 <USB I/F, IC9801>



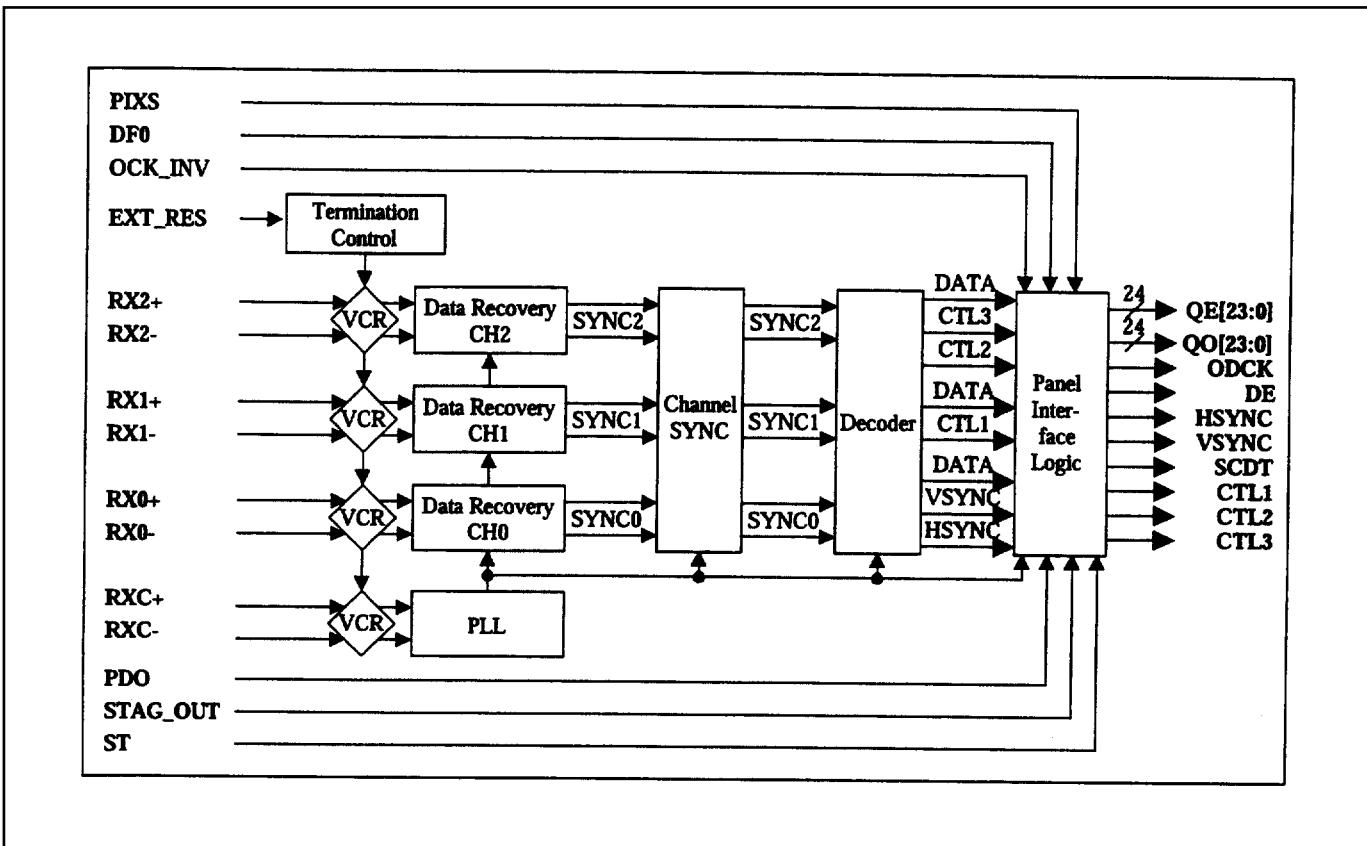
● M62393 <D/A, IC2571>



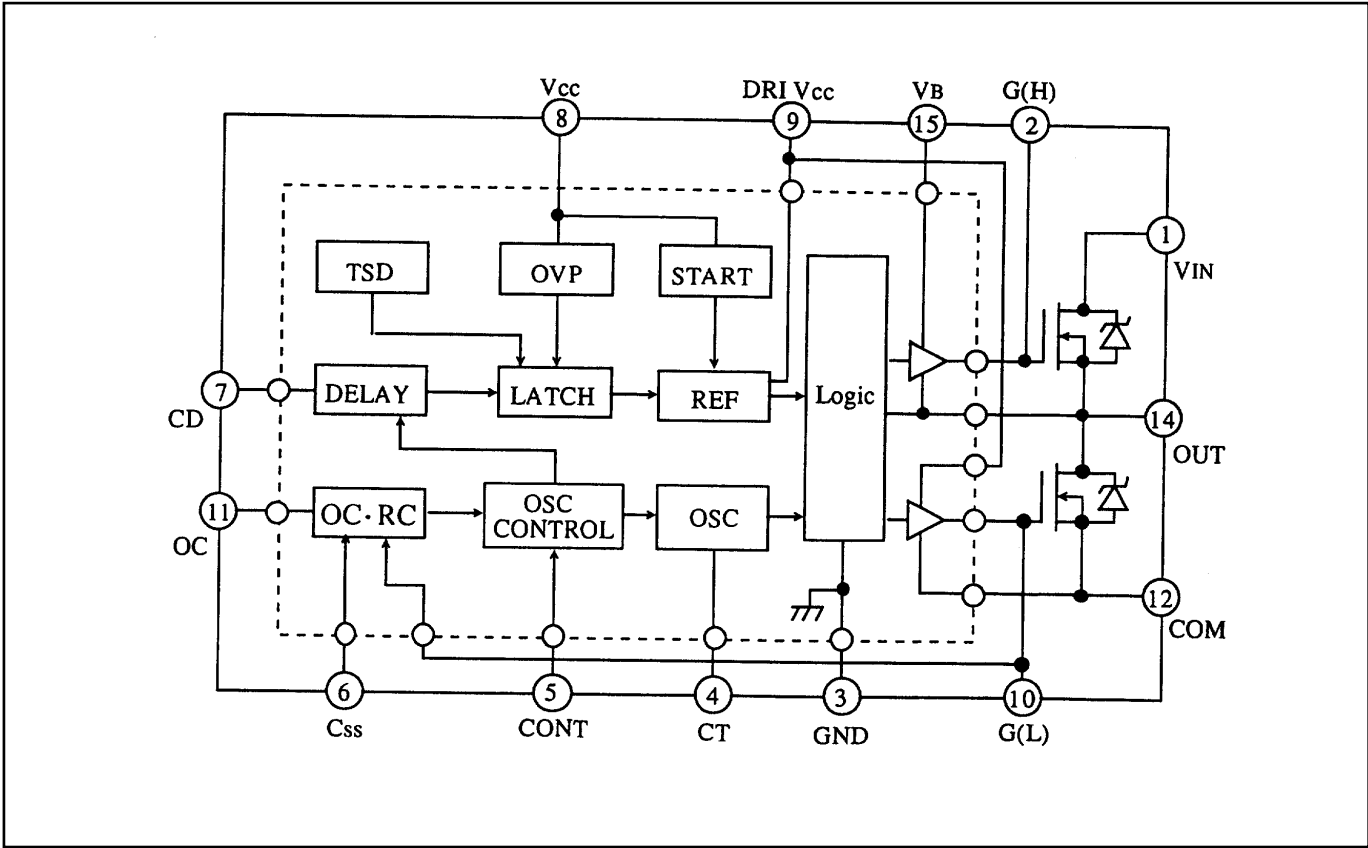
● TB1274AF <Video Decoder, IC1101>



● SII161ACT <DVI I/F, IC8001>



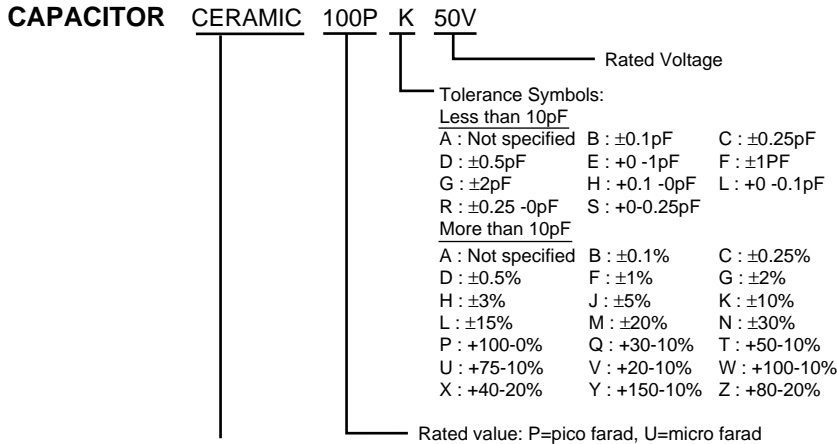
● STR-Z2156 <Switching Controller, IC631>



Product safety should be considered when a component replacement is made in any area of a projector. Components indicated by a Δ mark in this parts list and the circuit diagram show components whose value have special significance to product safety. It is particularly recommended that only parts specified on the following parts list be used for components replacement pointed out by the mark.

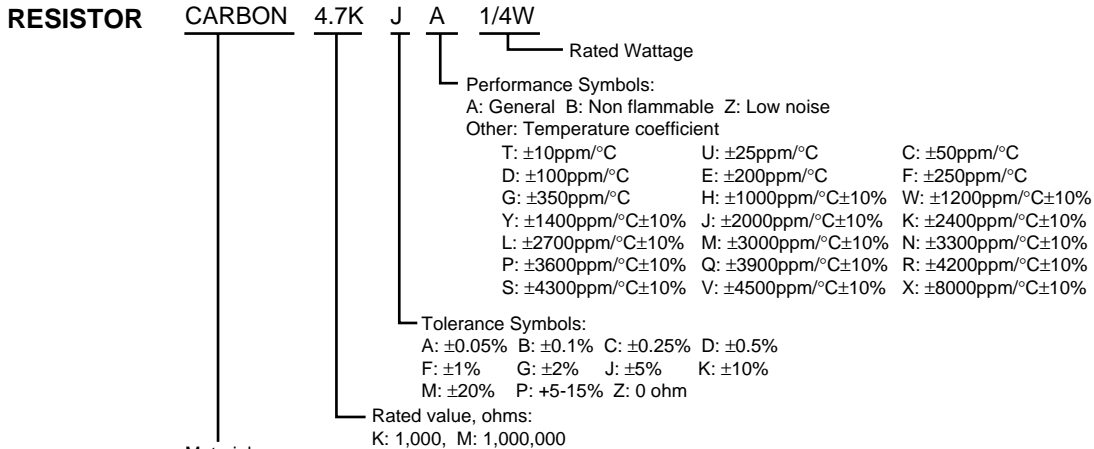
● Read Description in the parts list

Read description in the Capacitor and Resistor as follows:



Material:

- CERAMIC..... Ceramic
- MT-PAPER..... Metallized Paper
- POLYESTER..... Polyester
- MT-POLYEST.....Metallized Polyester
- POLYPRO..... Polypropylene
- MT-POLYPRO.....Metallized Polypropylene
- COMPO FILM..... Composite film
- MT-COMPO.....Metallized Composite
- STYRENE..... Styrene
- TA-SOLID..... Tantalum Oxide Solid Electrolytic
- AL-SOLID..... Aluminium Solid Electrolytic
- ELECT..... Aluminum Foil Electrolytic
- NP-ELECT..... Non-polarised Electrolytic
- OS-SOLID..... Aluminium Solid with Organic Semiconductive Electrolytic
- POS-SOLID..... Polymerized Organic Semiconductive
- DL-ELECT..... Double Layered Electrolytic
- PPS-FILM..... Polyphenylene Sulfide Film
- MT-PPS-FILM.....Metalized Polyphenylene Sulfide Film
- MT-PEN-FILM.....Metalized Polyethylenenaphthalate Film
- CAPACITOR.....Other



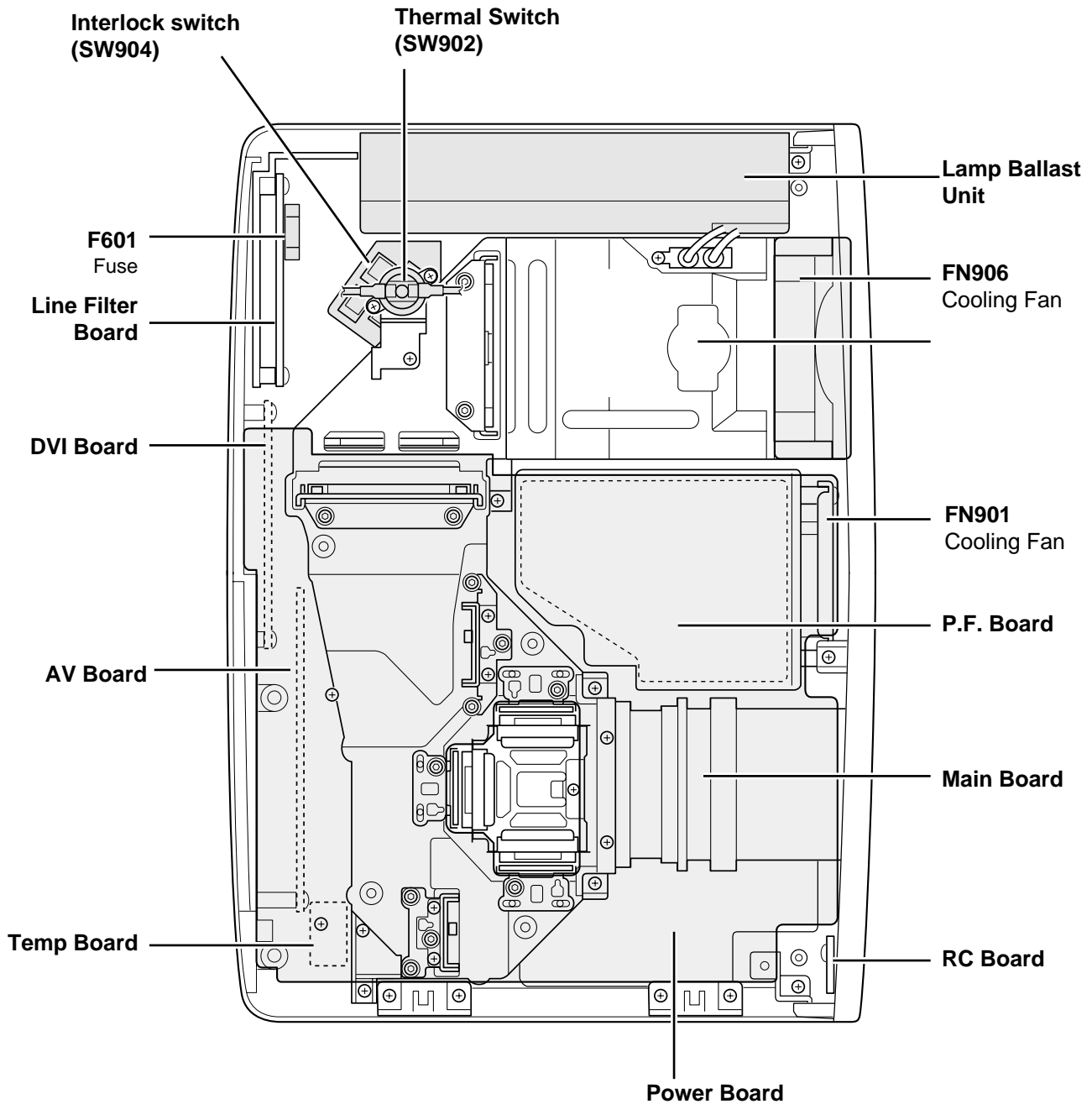
Material:

- CARBON..... Carbon
- MT-FILM..... Metal Film
- OXIDE-MT..... Oxide Metal Film
- SOLID..... Composition
- MT-GLAZE..... Metal Glaze
- WIRE WOUND... Wire Wound
- CERAMIC RES.. Ceramic
- FUSIBLE RES.... Fusible
- RESISTOROther

Electrical Parts List

Note: Parts order must contain Chassis No., Part No., and Descriptions.

● OUT OF CIRCUIT BOARD



Electrical Parts List

Key No.	Part No.	Description	Key No.	Part No.	Description
OUT OF CIRCUIT BOARDS			SW6806	645 026 2791	SWITCH,PUSH 1P-1TX1
△ LF901	645 038 8088	UNIT,NOISE FILTER	SW6807	645 026 2791	SWITCH,PUSH 1P-1TX1
△ LP900	610 293 2751	LAMP ASSY, POA-LMP35	SW6808	645 026 2791	SWITCH,PUSH 1P-1TX1
MISCELLANEOUS			SW6809	645 026 2791	SWITCH,PUSH 1P-1TX1
△ FN901	645 047 6211	MOTOR,FAN DC 1.5W	SW6810	645 026 2791	SWITCH,PUSH 1P-1TX1
△ FN902	645 047 6204	MOTOR,FAN DC 1.9W	SW6812	645 026 2791	SWITCH,PUSH 1P-1TX1
△ FN903	645 048 9594	MOTOR,FAN DC 1.9W	MAIN BOARD		
△ FN904	645 048 9594	MOTOR,FAN DC 1.9W			
△ FN905	645 050 2538	MOTOR,FAN DC 1.9W	610 295 3954 ASSY,PWB,MAIN MS6E 1AA0B10C349CA		
△ FN906	645 047 6198	MOTOR,FAN DC 2.1W			
SP901	645 030 6150	SPEAKER,8	TRANSISTOR		
△ SW902	645 026 5457	SWITCH,THERMAL			
	645 041 9164	SWITCH,THERMAL	Q111	405 014 4509	TR 2SC2412K T146 R
	645 048 3158	SWITCH,THERMAL		405 014 4608	TR 2SC2412K T146 S
△ SW904	645 024 8986	SWITCH,PUSH 2P-2TX2		405 015 8704	TR 2SC2812-L6-TB
KEY BOARD				405 015 8902	TR 2SC2812-L7-TB
610 292 5609 ASSY,PWB,KEY SW MS6A 1AA0B10C34000				405 163 1602	TR 2SC2812N-L6-TB0
				405 163 1701	TR 2SC2812N-L7-TB0
CAPACITOR			Q1131	405 014 4509	TR 2SC2412K T146 R
C6801	403 164 0204	CERAMIC 0.1U Z 25V		405 014 4608	TR 2SC2412K T146 S
C6802	403 164 0204	CERAMIC 0.1U Z 25V		405 015 8704	TR 2SC2812-L6-TB
C6803	403 164 0204	CERAMIC 0.1U Z 25V		405 015 8902	TR 2SC2812-L7-TB
RESISTOR			Q1132	405 014 4509	TR 2SC2412K T146 R
R6801	401 105 4106	MT-GLAZE 3.3K JA 1/16W		405 014 4608	TR 2SC2412K T146 S
R6802	401 105 7909	MT-GLAZE 0.000 ZA 1/16W		405 015 8704	TR 2SC2812-L6-TB
R6804	401 105 7909	MT-GLAZE 0.000 ZA 1/16W		405 015 8902	TR 2SC2812-L7-TB
R6806	401 105 1600	MT-GLAZE 15K JA 1/16W	Q1133	405 163 1602	TR 2SC2812N-L6-TB0
R6807	401 105 6605	MT-GLAZE 6.8K JA 1/16W		405 163 1701	TR 2SC2812N-L7-TB0
R6808	401 105 4601	MT-GLAZE 3.9K JA 1/16W		405 014 4509	TR 2SC2412K T146 R
R6809	401 105 4106	MT-GLAZE 3.3K JA 1/16W		405 014 4608	TR 2SC2412K T146 S
R6811	401 105 7909	MT-GLAZE 0.000 ZA 1/16W		405 015 8704	TR 2SC2812-L6-TB
R6812	401 105 7909	MT-GLAZE 0.000 ZA 1/16W		405 015 8902	TR 2SC2812-L7-TB
R6816	401 105 1600	MT-GLAZE 15K JA 1/16W	Q1141	405 163 1602	TR 2SC2812N-L6-TB0
R6817	401 105 6605	MT-GLAZE 6.8K JA 1/16W		405 163 1701	TR 2SC2812N-L7-TB0
R6818	401 105 4601	MT-GLAZE 3.9K JA 1/16W	Q1142	405 134 5905	TR 2SA1037AK-T146-R
R6819	401 105 4106	MT-GLAZE 3.3K JA 1/16W	Q1143	405 134 5905	TR 2SA1037AK-T146-R
R6821	401 105 7909	MT-GLAZE 0.000 ZA 1/16W	Q1151	405 014 4509	TR 2SC2412K T146 R
R6822	401 105 7909	MT-GLAZE 0.000 ZA 1/16W		405 014 4608	TR 2SC2412K T146 S
R6831	401 105 7909	MT-GLAZE 0.000 ZA 1/16W		405 015 8704	TR 2SC2812-L6-TB
R6832	401 105 7909	MT-GLAZE 0.000 ZA 1/16W		405 015 8902	TR 2SC2812-L7-TB
R6833	401 105 7909	MT-GLAZE 0.000 ZA 1/16W		405 163 1602	TR 2SC2812N-L6-TB0
R6834	401 105 7909	MT-GLAZE 0.000 ZA 1/16W	Q1152	405 163 1701	TR 2SC2812N-L7-TB0
DIODE				405 014 4509	TR 2SC2412K T146 R
D6801	407 179 0501	ZENER DIODE UDZ6.2B-TE-17		405 014 4608	TR 2SC2412K T146 S
D6802	407 179 0501	ZENER DIODE UDZ6.2B-TE-17		405 015 8704	TR 2SC2812-L6-TB
D6803	407 179 0501	ZENER DIODE UDZ6.2B-TE-17		405 015 8902	TR 2SC2812-L7-TB
D6804	407 179 0501	ZENER DIODE UDZ6.2B-TE-17		405 163 1602	TR 2SC2812N-L6-TB0
D6831	407 209 7401	LED SML-210YT-K-T86		405 163 1701	TR 2SC2812N-L7-TB0
	407 209 7500	LED SML-210YT T86 L	Q1153	405 014 4509	TR 2SC2412K T146 R
D6832	407 203 7803	LED SML-210LT T86 M		405 014 4608	TR 2SC2412K T146 S
D6833	407 203 7902	LED SML-210MT T86 M		405 015 8704	TR 2SC2812-L6-TB
D6834	407 203 7803	LED SML-210LT T86 M		405 015 8902	TR 2SC2812-L7-TB
MISCELLANEOUS				405 163 1602	TR 2SC2812N-L6-TB0
SW6801	645 026 2791	SWITCH,PUSH 1P-1TX1	Q1161	405 163 1701	TR 2SC2812N-L7-TB0
SW6802	645 026 2791	SWITCH,PUSH 1P-1TX1		405 014 4509	TR 2SC2412K T146 R
SW6803	645 026 2791	SWITCH,PUSH 1P-1TX1		405 014 4608	TR 2SC2412K T146 S
SW6804	645 026 2791	SWITCH,PUSH 1P-1TX1		405 015 8704	TR 2SC2812-L6-TB
SW6805	645 026 2791	SWITCH,PUSH 1P-1TX1		405 015 8902	TR 2SC2812-L7-TB
				405 163 1602	TR 2SC2812N-L6-TB0
				405 163 1701	TR 2SC2812N-L7-TB0

Electrical Parts List

Key No.	Part No.	Description	Key No.	Part No.	Description
Q131	405 014 4509	TR 2SC2412K T146 R	Q2865	405 014 4509	TR 2SC2412K T146 R
	405 014 4608	TR 2SC2412K T146 S		405 014 4608	TR 2SC2412K T146 S
	405 015 8704	TR 2SC2812-L6-TB		405 015 8704	TR 2SC2812-L6-TB
	405 015 8902	TR 2SC2812-L7-TB		405 015 8902	TR 2SC2812-L7-TB
	405 163 1602	TR 2SC2812N-L6-TB0		405 163 1602	TR 2SC2812N-L6-TB0
	405 163 1701	TR 2SC2812N-L7-TB0		405 163 1701	TR 2SC2812N-L7-TB0
Q132	405 014 4509	TR 2SC2412K T146 R	Q3111	405 014 4509	TR 2SC2412K T146 R
	405 014 4608	TR 2SC2412K T146 S		405 014 4608	TR 2SC2412K T146 S
	405 015 8704	TR 2SC2812-L6-TB		405 015 8704	TR 2SC2812-L6-TB
	405 015 8902	TR 2SC2812-L7-TB		405 015 8902	TR 2SC2812-L7-TB
	405 163 1602	TR 2SC2812N-L6-TB0		405 163 1602	TR 2SC2812N-L6-TB0
	405 163 1701	TR 2SC2812N-L7-TB0		405 163 1701	TR 2SC2812N-L7-TB0
Q151	405 134 5905	TR 2SA1037AK-T146-R	Q3112	405 014 4509	TR 2SC2412K T146 R
Q152	405 014 4509	TR 2SC2412K T146 R		405 014 4608	TR 2SC2412K T146 S
	405 014 4608	TR 2SC2412K T146 S		405 015 8704	TR 2SC2812-L6-TB
	405 015 8704	TR 2SC2812-L6-TB		405 015 8902	TR 2SC2812-L7-TB
	405 015 8902	TR 2SC2812-L7-TB		405 163 1602	TR 2SC2812N-L6-TB0
	405 163 1602	TR 2SC2812N-L6-TB0		405 163 1701	TR 2SC2812N-L7-TB0
	405 163 1701	TR 2SC2812N-L7-TB0	Q3113	405 134 5905	TR 2SA1037AK-T146-R
Q171	405 134 5905	TR 2SA1037AK-T146-R	Q3162	405 014 4509	TR 2SC2412K T146 R
Q172	405 014 4509	TR 2SC2412K T146 R		405 014 4608	TR 2SC2412K T146 S
	405 014 4608	TR 2SC2412K T146 S		405 015 8704	TR 2SC2812-L6-TB
	405 015 8704	TR 2SC2812-L6-TB		405 015 8902	TR 2SC2812-L7-TB
	405 015 8902	TR 2SC2812-L7-TB		405 163 1602	TR 2SC2812N-L6-TB0
	405 163 1602	TR 2SC2812N-L6-TB0		405 163 1701	TR 2SC2812N-L7-TB0
	405 163 1701	TR 2SC2812N-L7-TB0	Q3163	405 134 5905	TR 2SA1037AK-T146-R
Q1816	405 045 8705	TR 2SK536-TB	Q3171	405 014 4509	TR 2SC2412K T146 R
Q1817	405 045 8705	TR 2SK536-TB		405 014 4608	TR 2SC2412K T146 S
Q1818	405 045 8705	TR 2SK536-TB		405 015 8704	TR 2SC2812-L6-TB
Q1819	405 045 8705	TR 2SK536-TB		405 015 8902	TR 2SC2812-L7-TB
Q2506	405 014 4509	TR 2SC2412K T146 R		405 163 1602	TR 2SC2812N-L6-TB0
	405 014 4608	TR 2SC2412K T146 S		405 163 1701	TR 2SC2812N-L7-TB0
	405 015 8704	TR 2SC2812-L6-TB	Q3172	405 134 5905	TR 2SA1037AK-T146-R
	405 015 8902	TR 2SC2812-L7-TB	Q3181	405 014 4509	TR 2SC2412K T146 R
	405 163 1602	TR 2SC2812N-L6-TB0		405 014 4608	TR 2SC2412K T146 S
	405 163 1701	TR 2SC2812N-L7-TB0		405 015 8704	TR 2SC2812-L6-TB
Q2516	405 014 4509	TR 2SC2412K T146 R		405 015 8902	TR 2SC2812-L7-TB
	405 014 4608	TR 2SC2412K T146 S		405 163 1602	TR 2SC2812N-L6-TB0
	405 015 8704	TR 2SC2812-L6-TB		405 163 1701	TR 2SC2812N-L7-TB0
	405 015 8902	TR 2SC2812-L7-TB	Q3182	405 134 5905	TR 2SA1037AK-T146-R
	405 163 1602	TR 2SC2812N-L6-TB0	Q3591	405 002 8304	TR 2SA1203-Y-FE12L
	405 163 1701	TR 2SC2812N-L7-TB0	Q3592	405 014 4509	TR 2SC2412K T146 R
Q2526	405 014 4509	TR 2SC2412K T146 R		405 014 4608	TR 2SC2412K T146 S
	405 014 4608	TR 2SC2412K T146 S		405 015 8704	TR 2SC2812-L6-TB
	405 015 8704	TR 2SC2812-L6-TB		405 015 8902	TR 2SC2812-L7-TB
	405 015 8902	TR 2SC2812-L7-TB		405 163 1602	TR 2SC2812N-L6-TB0
	405 163 1602	TR 2SC2812N-L6-TB0		405 163 1701	TR 2SC2812N-L7-TB0
	405 163 1701	TR 2SC2812N-L7-TB0	Q4171	405 134 5905	TR 2SA1037AK-T146-R
Q2531	405 014 4509	TR 2SC2412K T146 R	Q4172	405 014 4509	TR 2SC2412K T146 R
	405 014 4608	TR 2SC2412K T146 S		405 014 4608	TR 2SC2412K T146 S
	405 015 8704	TR 2SC2812-L6-TB		405 015 8704	TR 2SC2812-L6-TB
	405 015 8902	TR 2SC2812-L7-TB		405 015 8902	TR 2SC2812-L7-TB
	405 163 1602	TR 2SC2812N-L6-TB0		405 163 1602	TR 2SC2812N-L6-TB0
	405 163 1701	TR 2SC2812N-L7-TB0		405 163 1701	TR 2SC2812N-L7-TB0
Q2851	405 134 5905	TR 2SA1037AK-T146-R	Q6126	405 014 4509	TR 2SC2412K T146 R
Q2856	405 014 4509	TR 2SC2412K T146 R		405 014 4608	TR 2SC2412K T146 S
	405 014 4608	TR 2SC2412K T146 S		405 015 8704	TR 2SC2812-L6-TB
	405 015 8704	TR 2SC2812-L6-TB		405 015 8902	TR 2SC2812-L7-TB
	405 015 8902	TR 2SC2812-L7-TB		405 163 1602	TR 2SC2812N-L6-TB0
	405 163 1602	TR 2SC2812N-L6-TB0		405 163 1701	TR 2SC2812N-L7-TB0
	405 163 1701	TR 2SC2812N-L7-TB0	Q6127	405 134 5905	TR 2SA1037AK-T146-R
Q2861	405 014 4509	TR 2SC2412K T146 R	Q6137	405 014 4509	TR 2SC2412K T146 R
	405 014 4608	TR 2SC2412K T146 S		405 014 4608	TR 2SC2412K T146 S
	405 015 8704	TR 2SC2812-L6-TB		405 015 8704	TR 2SC2812-L6-TB
	405 015 8902	TR 2SC2812-L7-TB		405 015 8902	TR 2SC2812-L7-TB
	405 163 1602	TR 2SC2812N-L6-TB0		405 163 1602	TR 2SC2812N-L6-TB0
	405 163 1701	TR 2SC2812N-L7-TB0		405 163 1701	TR 2SC2812N-L7-TB0

Electrical Parts List

Key No.	Part No.	Description	Key No.	Part No.	Description
Q8101	405 045 8705	TR 2SK536-TB	IC3821	410 296 5700	IC TWM7000-151020
Q8102	405 045 8705	TR 2SK536-TB	IC3831	409 404 7200	IC TC7SET00FU-(TE85L)
Q8121	405 045 8705	TR 2SK536-TB	IC3841	410 275 5707	IC TWM7000-162020
Q8122	405 045 8705	TR 2SK536-TB		410 275 5806	IC TWM7000-162020
Q8141	405 014 4509	TR 2SC2412K T146 R	IC401	409 502 3401	IC QL3E07050 K0A
	405 014 4608	TR 2SC2412K T146 S	IC4101	409 474 0002	IC CXA2101AQ
	405 015 8704	TR 2SC2812-L6-TB	IC4186	409 428 8405	IC TC7WT125FU-TE12L
	405 015 8902	TR 2SC2812-L7-TB	IC501	409 502 3302	IC L3E06070D0A
	405 163 1602	TR 2SC2812N-L6-TB0	IC5211	409 461 7403	IC LT1399CS
	405 163 1701	TR 2SC2812N-L7-TB0	IC5241	409 470 2604	IC AD8183ARU
Q856	405 014 4509	TR 2SC2412K T146 R	IC5251	409 357 6602	IC LT1260CS
	405 014 4608	TR 2SC2412K T146 S	IC5261	410 343 7008	IC SN74AHCT1G14DBVR
	405 015 8704	TR 2SC2812-L6-TB	IC5271	409 461 7304	IC AD8057ART
	405 015 8902	TR 2SC2812-L7-TB	IC5281	409 461 7304	IC AD8057ART
	405 163 1602	TR 2SC2812N-L6-TB0	IC5291	409 461 7304	IC AD8057ART
	405 163 1701	TR 2SC2812N-L7-TB0	IC531	409 502 3302	IC L3E06070D0A
Q9801	405 134 5905	TR 2SA1037AK-T146-R	IC561	409 502 3302	IC L3E06070D0A
			IC6101	409 431 6009	IC MC74VHC14DT
				410 356 8009	IC SN74LV14APWR
INTEGRATED CIRCUIT			IC6121	409 158 5804	IC TC74HC123AF-TP1
IC1101	409 504 9005	IC TB1274AF	IC6141	409 158 5804	IC TC74HC123AF-TP1
IC1171	409 416 6505	IC BA05FP-E2	IC6211	409 461 7304	IC AD8057ART
IC121	410 300 4804	IC MM1031XM	IC6221	409 461 7304	IC AD8057ART
IC1301	409 339 3605	IC 24LC16BT/SN-T	IC6241	409 484 2003	IC BA7078AF-E2
IC1311	409 301 5309	IC TC7S32FU-TE85L	IC6251	409 431 6009	IC MC74VHC14DT
IC1331	410 397 0406	IC IS61LV6416-15T		410 356 8009	IC SN74LV14APWR
IC1341	410 405 7007	IC MBM29LV800TA90NB859	IC6261	409 211 7301	IC MC14053BFL
IC1351	409 501 9107	IC ICS512MT		409 051 2900	IC TC4053BF-TP1
IC1361	409 501 9107	IC ICS512MT	IC6271	410 354 6304	IC SN74LVC126APWR
IC1371	409 301 5309	IC TC7S32FU-TE85L	IC6281	409 429 6806	IC TC74LCX74FT-(EL)
IC1501	409 502 3302	IC L3E06070D0A	IC6621	409 124 5708	IC L78M09T-TR
IC1531	409 502 3302	IC L3E06070D0A	IC6631	409 416 6406	IC BA033FP-E2
IC1561	409 502 3302	IC L3E06070D0A	IC6641	409 416 6406	IC BA033FP-E2
IC1581	409 506 0406	IC M62392FP	IC6651	409 416 6406	IC BA033FP-E2
IC1801	409 339 3605	IC 24LC16BT/SN-T	IC6661	409 461 7700	IC PQ2TZ15
IC1811	410 409 7201	IC IS61LV256-12T	IC6671	409 461 7700	IC PQ2TZ15
IC1821	410 349 4100	IC TC7W241FU(TE12L)	IC8001	410 365 2203	IC SII161ACT100
IC1826	409 400 7105	IC TC7W53FU-(TE12L)	IC8002	409 397 3005	IC TC7SET04FU-(TE85L)
IC1831	409 506 0406	IC M62392FP	IC801	410 420 1608	IC HD64F2238ATE13-B932
IC1851	409 404 6302	IC M62320FP	IC8051	410 321 8300	IC TC74VCX16244FT
IC1861	410 337 0503	IC TC74LCX14FT	IC8061	410 321 8300	IC TC74VCX16244FT
	410 337 0602	IC HD74LVCL14T	IC8071	410 321 8300	IC TC74VCX16244FT
IC1871	410 325 4605	IC TC74LCX244FT	IC8081	410 407 4004	IC TC74VCX541FT
IC1881	410 311 5708	IC MC74HCT244ADT	IC8101	409 211 7301	IC MC14053BFL
	410 315 5506	IC HD74HCT244TV		409 051 2900	IC TC4053BF-TP1
	410 356 7507	IC SN74HCT244PWR	IC8111	409 417 5507	IC 24LC04BT/SN
IC201	410 353 1805	IC AD9884AKS-140	IC8121	409 211 7301	IC MC14053BFL
IC2101	409 442 1307	IC CXD2064Q		409 051 2900	IC TC4053BF-TP1
IC2161	409 506 0406	IC M62392FP	IC8131	409 462 0304	IC 24LC21AT/SN
IC2181	409 404 6302	IC M62320FP	IC841	409 433 4201	IC MN13821-H-TW
IC251	410 349 4100	IC TC7W241FU(TE12L)	IC9801	409 468 8908	IC ML60851CTB
IC2571	409 458 3401	IC M62393FP			
IC2881	409 481 8602	IC LM76CHMX-5	CAPACITOR		
IC301	409 501 8308	IC PW365-10U	C1101	403 304 2105	ELECT 47U M 6.3V
IC3101	409 211 7301	IC MC14053BFL	C1102	403 164 0204	CERAMIC 0.1U Z 25V
	409 051 2900	IC TC4053BF-TP1	C1103	403 304 2105	ELECT 47U M 6.3V
IC3121	409 461 7304	IC AD8057ART	C1104	403 164 0204	CERAMIC 0.1U Z 25V
IC3131	409 461 7304	IC AD8057ART	C1105	403 304 2105	ELECT 47U M 6.3V
IC3141	409 461 7304	IC AD8057ART	C1106	403 164 0204	CERAMIC 0.1U Z 25V
IC3161	409 428 8405	IC TC7WT125FU-TE12L	C1107	403 304 2105	ELECT 47U M 6.3V
IC3181	409 323 8906	IC TC4W53FU(TE12L)	C1108	403 164 0204	CERAMIC 0.1U Z 25V
IC3501	409 502 3203	IC L3E01031F0A	C111	403 304 3300	ELECT 47U M 16V
IC3531	409 502 3203	IC L3E01031F0A	C1111	403 164 0204	CERAMIC 0.1U Z 25V
IC3551	409 390 0001	IC LM7171AIMX	C1112	403 164 0204	CERAMIC 0.1U Z 25V
	409 486 7709	IC LM7171BIMX	C1113	403 164 0204	CERAMIC 0.1U Z 25V
IC3561	409 502 3203	IC L3E01031F0A	C1114	403 149 9208	CERAMIC 0.01U Z 50V
IC3581	409 343 0201	IC LT1206CS8	C1115	403 157 2901	CERAMIC 47P J 50V
IC3801	409 380 6303	IC HIN232CB	C1116	403 164 0204	CERAMIC 0.1U Z 25V
	409 273 3501	IC SP232ACT			

Electrical Parts List

Key No.	Part No.	Description	Key No.	Part No.	Description
C1117	403 164 0204	CERAMIC 0.1U Z 25V	C154	403 164 0204	CERAMIC 0.1U Z 25V
C1118	403 164 0204	CERAMIC 0.1U Z 25V	C1541	403 164 0204	CERAMIC 0.1U Z 25V
C1119	403 162 5300	ELECT 4.7U M 25V	C1542	403 164 0204	CERAMIC 0.1U Z 25V
C112	403 164 0204	CERAMIC 0.1U Z 25V	C1543	403 164 0204	CERAMIC 0.1U Z 25V
C1121	403 157 1805	CERAMIC 9P D 50V	C1561	403 304 1801	ELECT 100U M 6.3V
C1122	403 164 0204	CERAMIC 0.1U Z 25V	C1562	403 164 0204	CERAMIC 0.1U Z 25V
C1123	403 149 9208	CERAMIC 0.01U Z 50V	C1563	403 304 3300	ELECT 47U M 16V
C1124	403 162 6000	ELECT 0.47U M 50V	C1564	403 164 0204	CERAMIC 0.1U Z 25V
C1126	403 164 0204	CERAMIC 0.1U Z 25V	C1566	403 164 0204	CERAMIC 0.1U Z 25V
C1127	403 149 9208	CERAMIC 0.01U Z 50V	C1567	403 164 0204	CERAMIC 0.1U Z 25V
C1128	403 164 0204	CERAMIC 0.1U Z 25V	C1568	403 164 0204	CERAMIC 0.1U Z 25V
C1129	403 164 0204	CERAMIC 0.1U Z 25V	C1569	403 164 0204	CERAMIC 0.1U Z 25V
C113	401 037 5202	MT-GLAZE 100 JA 1/10W	C1571	403 164 0204	CERAMIC 0.1U Z 25V
C1131	403 215 2904	CERAMIC 0.022U K 25V	C1572	403 164 0204	CERAMIC 0.1U Z 25V
C1132	403 162 6604	ELECT 2.2U M 50V	C1573	403 164 0204	CERAMIC 0.1U Z 25V
C1133	403 113 3805	CERAMIC 1000P K 50V	C1581	403 164 0204	CERAMIC 0.1U Z 25V
C1161	403 155 4204	CERAMIC 15P J 50V	C1582	403 304 2105	ELECT 47U M 6.3V
C1171	403 322 7809	ELECT 220U M 6.3V	C1583	403 164 0204	CERAMIC 0.1U Z 25V
C1172	403 164 0204	CERAMIC 0.1U Z 25V	C171	403 164 0204	CERAMIC 0.1U Z 25V
C122	403 164 0204	CERAMIC 0.1U Z 25V	C1801	403 164 0204	CERAMIC 0.1U Z 25V
C123	403 266 8108	NP-ELECT 1U M 50V	C1811	403 304 1801	ELECT 100U M 6.3V
C1301	403 164 0204	CERAMIC 0.1U Z 25V	C1812	403 164 0204	CERAMIC 0.1U Z 25V
C131	403 164 0204	CERAMIC 0.1U Z 25V	C1821	403 164 0204	CERAMIC 0.1U Z 25V
C1311	403 164 0204	CERAMIC 0.1U Z 25V	C1826	403 164 0204	CERAMIC 0.1U Z 25V
C1331	403 322 7809	ELECT 220U M 6.3V	C1831	403 304 2105	ELECT 47U M 6.3V
C1332	403 164 0204	CERAMIC 0.1U Z 25V	C1832	403 164 0204	CERAMIC 0.1U Z 25V
C1333	403 164 0204	CERAMIC 0.1U Z 25V	C1833	403 304 2105	ELECT 47U M 6.3V
C1342	403 164 0204	CERAMIC 0.1U Z 25V	C1834	403 164 0204	CERAMIC 0.1U Z 25V
C1351	403 304 1801	ELECT 100U M 6.3V	C1861	403 164 0204	CERAMIC 0.1U Z 25V
C1352	403 164 0204	CERAMIC 0.1U Z 25V	C1871	403 164 0204	CERAMIC 0.1U Z 25V
C1362	403 164 0204	CERAMIC 0.1U Z 25V	C1881	403 164 0204	CERAMIC 0.1U Z 25V
C1371	403 164 0204	CERAMIC 0.1U Z 25V	C201	403 322 7809	ELECT 220U M 6.3V
C1401	403 322 7809	ELECT 220U M 6.3V	C202	403 164 0204	CERAMIC 0.1U Z 25V
C1402	403 164 0204	CERAMIC 0.1U Z 25V	C203	403 322 7809	ELECT 220U M 6.3V
C1403	403 164 0204	CERAMIC 0.1U Z 25V	C204	403 164 0204	CERAMIC 0.1U Z 25V
C1404	403 164 0204	CERAMIC 0.1U Z 25V	C205	403 322 7809	ELECT 220U M 6.3V
C1406	403 164 0204	CERAMIC 0.1U Z 25V	C206	403 164 0204	CERAMIC 0.1U Z 25V
C1407	403 164 0204	CERAMIC 0.1U Z 25V	C2101	403 304 1801	ELECT 100U M 6.3V
C1408	403 164 0204	CERAMIC 0.1U Z 25V	C2102	403 164 0204	CERAMIC 0.1U Z 25V
C1409	403 164 0204	CERAMIC 0.1U Z 25V	C2103	403 304 1801	ELECT 100U M 6.3V
C1411	403 164 0204	CERAMIC 0.1U Z 25V	C2104	403 164 0204	CERAMIC 0.1U Z 25V
C1412	403 164 0204	CERAMIC 0.1U Z 25V	C2105	403 304 1801	ELECT 100U M 6.3V
C1413	403 164 0204	CERAMIC 0.1U Z 25V	C2106	403 164 0204	CERAMIC 0.1U Z 25V
C1414	403 164 0204	CERAMIC 0.1U Z 25V	C211	403 157 7203	CERAMIC 3900P K 50V
C1416	403 164 0204	CERAMIC 0.1U Z 25V	C2111	403 175 4802	NP-ELECT 10U M 10V
C1501	403 304 1801	ELECT 100U M 6.3V	C2112	403 164 0204	CERAMIC 0.1U Z 25V
C1502	403 164 0204	CERAMIC 0.1U Z 25V	C2113	403 164 0204	CERAMIC 0.1U Z 25V
C1503	403 304 3300	ELECT 47U M 16V	C2116	401 105 4106	MT-GLAZE 3.3K JA 1/16W
C1504	403 164 0204	CERAMIC 0.1U Z 25V	C2117	403 164 0204	CERAMIC 0.1U Z 25V
C1506	403 164 0204	CERAMIC 0.1U Z 25V	C2118	403 164 0204	CERAMIC 0.1U Z 25V
C1507	403 164 0204	CERAMIC 0.1U Z 25V	C2119	403 164 0204	CERAMIC 0.1U Z 25V
C1508	403 164 0204	CERAMIC 0.1U Z 25V	C2121	403 164 0204	CERAMIC 0.1U Z 25V
C1509	403 164 0204	CERAMIC 0.1U Z 25V	C2123	401 105 7909	MT-GLAZE 0.000 ZA 1/16W
C151	403 304 3300	ELECT 47U M 16V	C2124	403 149 9208	CERAMIC 0.01U Z 50V
C1511	403 164 0204	CERAMIC 0.1U Z 25V	C2126	403 149 9208	CERAMIC 0.01U Z 50V
C1512	403 164 0204	CERAMIC 0.1U Z 25V	C2127	403 215 2904	CERAMIC 0.022U K 25V
C1513	403 164 0204	CERAMIC 0.1U Z 25V	C213	403 338 0108	CERAMIC 0.039U K 25V
C152	403 164 0204	CERAMIC 0.1U Z 25V	C2161	403 304 2105	ELECT 47U M 6.3V
C153	403 267 0804	NP-ELECT 47U M 6.3V	C2162	403 164 0204	CERAMIC 0.1U Z 25V
C1531	403 304 1801	ELECT 100U M 6.3V	C2163	403 304 2105	ELECT 47U M 6.3V
C1532	403 164 0204	CERAMIC 0.1U Z 25V	C2164	403 164 0204	CERAMIC 0.1U Z 25V
C1533	403 304 3300	ELECT 47U M 16V	C221	403 298 9609	CERAMIC 0.1U K 16V
C1534	403 164 0204	CERAMIC 0.1U Z 25V		403 325 3303	CERAMIC 0.1U K 16V
C1536	403 164 0204	CERAMIC 0.1U Z 25V	C2501	403 164 0204	CERAMIC 0.1U Z 25V
C1537	403 164 0204	CERAMIC 0.1U Z 25V	C2502	403 164 0204	CERAMIC 0.1U Z 25V
C1538	403 164 0204	CERAMIC 0.1U Z 25V	C2503	403 164 0204	CERAMIC 0.1U Z 25V
C1539	403 164 0204	CERAMIC 0.1U Z 25V	C2506	403 164 0204	CERAMIC 0.1U Z 25V

Electrical Parts List

Key No.	Part No.	Description	Key No.	Part No.	Description
C2507	403 304 3508	ELECT 10U M 25V		403 335 0408	ELECT 100U M 16V
C2508	403 164 0204	CERAMIC 0.1U Z 25V	C3534	403 164 0204	CERAMIC 0.1U Z 25V
C251	403 164 0204	CERAMIC 0.1U Z 25V	C3536	403 164 0204	CERAMIC 0.1U Z 25V
C2511	403 164 0204	CERAMIC 0.1U Z 25V	C3538	403 164 0204	CERAMIC 0.1U Z 25V
C2512	403 164 0204	CERAMIC 0.1U Z 25V	C3539	403 164 0204	CERAMIC 0.1U Z 25V
C2513	403 164 0204	CERAMIC 0.1U Z 25V	C3551	403 229 3508	ELECT 100U M 16V
C2516	403 164 0204	CERAMIC 0.1U Z 25V		403 335 0408	ELECT 100U M 16V
C2517	403 304 3508	ELECT 10U M 25V	C3552	403 164 0204	CERAMIC 0.1U Z 25V
C2518	403 164 0204	CERAMIC 0.1U Z 25V	C3553	403 157 3601	CERAMIC 100P J 50V
C2521	403 164 0204	CERAMIC 0.1U Z 25V	C3562	403 164 0204	CERAMIC 0.1U Z 25V
C2522	403 164 0204	CERAMIC 0.1U Z 25V	C3563	403 229 3508	ELECT 100U M 16V
C2523	403 164 0204	CERAMIC 0.1U Z 25V		403 335 0408	ELECT 100U M 16V
C2526	403 164 0204	CERAMIC 0.1U Z 25V	C3564	403 164 0204	CERAMIC 0.1U Z 25V
C2527	403 304 3508	ELECT 10U M 25V	C3566	403 164 0204	CERAMIC 0.1U Z 25V
C2528	403 164 0204	CERAMIC 0.1U Z 25V	C3568	403 164 0204	CERAMIC 0.1U Z 25V
C2571	403 164 0204	CERAMIC 0.1U Z 25V	C3569	403 164 0204	CERAMIC 0.1U Z 25V
C2572	403 304 2105	ELECT 47U M 6.3V	C3581	403 229 3508	ELECT 100U M 16V
C2573	403 164 0204	CERAMIC 0.1U Z 25V		403 335 0408	ELECT 100U M 16V
C2591	403 229 3508	ELECT 100U M 16V	C3582	403 164 0204	CERAMIC 0.1U Z 25V
	403 335 0408	ELECT 100U M 16V	C3583	403 157 3601	CERAMIC 100P J 50V
C2807	403 157 2901	CERAMIC 47P J 50V	C3584	403 149 9208	CERAMIC 0.01U Z 50V
C2821	403 164 0204	CERAMIC 0.1U Z 25V	C3592	403 162 4709	ELECT 10U M 16V
C2822	403 164 0204	CERAMIC 0.1U Z 25V		403 335 0309	ELECT 10U M 16V
C2823	403 164 0204	CERAMIC 0.1U Z 25V	C3801	403 164 0204	CERAMIC 0.1U Z 25V
C2882	403 164 0204	CERAMIC 0.1U Z 25V	C3802	403 162 6208	ELECT 1U M 50V
C301	403 322 7809	ELECT 220U M 6.3V	C3803	403 162 6208	ELECT 1U M 50V
C302	403 164 0204	CERAMIC 0.1U Z 25V	C3804	403 162 6208	ELECT 1U M 50V
C303	403 322 7809	ELECT 220U M 6.3V	C3806	403 162 6208	ELECT 1U M 50V
C304	403 164 0204	CERAMIC 0.1U Z 25V	C3821	403 164 0204	CERAMIC 0.1U Z 25V
C306	403 164 0204	CERAMIC 0.1U Z 25V	C3831	403 164 0204	CERAMIC 0.1U Z 25V
C307	403 164 0204	CERAMIC 0.1U Z 25V	C3841	403 162 6208	ELECT 1U M 50V
C308	403 164 0204	CERAMIC 0.1U Z 25V	C3842	403 164 0204	CERAMIC 0.1U Z 25V
C309	403 164 0204	CERAMIC 0.1U Z 25V	C3843	403 164 0204	CERAMIC 0.1U Z 25V
C3101	403 162 4709	ELECT 10U M 16V	C3844	403 304 2105	ELECT 47U M 6.3V
	403 335 0309	ELECT 10U M 16V	C401	403 322 7809	ELECT 220U M 6.3V
C3102	403 162 4709	ELECT 10U M 16V	C402	403 164 0204	CERAMIC 0.1U Z 25V
	403 335 0309	ELECT 10U M 16V	C403	403 322 7809	ELECT 220U M 6.3V
C3103	403 164 0204	CERAMIC 0.1U Z 25V	C404	403 164 0204	CERAMIC 0.1U Z 25V
C3104	403 162 4709	ELECT 10U M 16V	C406	403 164 0204	CERAMIC 0.1U Z 25V
	403 335 0309	ELECT 10U M 16V	C407	403 164 0204	CERAMIC 0.1U Z 25V
C311	403 164 0204	CERAMIC 0.1U Z 25V	C408	403 164 0204	CERAMIC 0.1U Z 25V
C3112	403 163 9802	CERAMIC 0.047U Z 25V	C409	403 164 0204	CERAMIC 0.1U Z 25V
C3113	403 163 9802	CERAMIC 0.047U Z 25V	C4102	403 164 0204	CERAMIC 0.1U Z 25V
C312	403 164 0204	CERAMIC 0.1U Z 25V	C4103	403 280 1604	ELECT 220U M 16V
C3122	403 157 1904	CERAMIC 10P D 50V	C4104	403 164 0204	CERAMIC 0.1U Z 25V
C3126	403 304 1801	ELECT 100U M 6.3V	C4105	403 304 3300	ELECT 47U M 16V
C3127	403 164 0204	CERAMIC 0.1U Z 25V	C4106	403 164 0204	CERAMIC 0.1U Z 25V
C313	403 164 0204	CERAMIC 0.1U Z 25V	C411	403 164 0204	CERAMIC 0.1U Z 25V
C3132	403 157 1904	CERAMIC 10P D 50V	C4116	403 164 0204	CERAMIC 0.1U Z 25V
C314	403 164 0204	CERAMIC 0.1U Z 25V	C412	403 164 0204	CERAMIC 0.1U Z 25V
C3142	403 157 1904	CERAMIC 10P D 50V	C4127	403 283 6309	CERAMIC 1U Z 10V
C316	403 164 0204	CERAMIC 0.1U Z 25V	C413	403 164 0204	CERAMIC 0.1U Z 25V
C3161	403 164 0204	CERAMIC 0.1U Z 25V	C4134	403 149 9208	CERAMIC 0.01U Z 50V
C317	403 164 0204	CERAMIC 0.1U Z 25V	C4137	403 283 6309	CERAMIC 1U Z 10V
C318	403 164 0204	CERAMIC 0.1U Z 25V	C4138	403 164 0204	CERAMIC 0.1U Z 25V
C319	403 164 0204	CERAMIC 0.1U Z 25V	C4139	403 164 0204	CERAMIC 0.1U Z 25V
C321	403 164 0204	CERAMIC 0.1U Z 25V	C414	403 164 0204	CERAMIC 0.1U Z 25V
C322	403 164 0204	CERAMIC 0.1U Z 25V	C4141	403 164 0204	CERAMIC 0.1U Z 25V
C323	403 164 0204	CERAMIC 0.1U Z 25V	C4142	403 162 4709	ELECT 10U M 16V
C324	403 164 0204	CERAMIC 0.1U Z 25V		403 335 0309	ELECT 10U M 16V
C3502	403 164 0204	CERAMIC 0.1U Z 25V	C4143	403 162 6000	ELECT 0.47U M 50V
C3503	403 229 3508	ELECT 100U M 16V	C4144	403 149 9208	CERAMIC 0.01U Z 50V
	403 335 0408	ELECT 100U M 16V	C4146	403 162 4709	ELECT 10U M 16V
C3504	403 164 0204	CERAMIC 0.1U Z 25V		403 335 0309	ELECT 10U M 16V
C3506	403 164 0204	CERAMIC 0.1U Z 25V	C4147	403 164 0204	CERAMIC 0.1U Z 25V
C3532	403 164 0204	CERAMIC 0.1U Z 25V	C4148	403 149 9208	CERAMIC 0.01U Z 50V
C3533	403 229 3508	ELECT 100U M 16V	C4149	403 149 9208	CERAMIC 0.01U Z 50V

Electrical Parts List

Key No.	Part No.	Description	Key No.	Part No.	Description
C4151	403 149 9208	CERAMIC 0.01U Z 50V	C5261	403 164 0204	CERAMIC 0.1U Z 25V
C4152	403 149 9208	CERAMIC 0.01U Z 50V	C5271	403 304 1801	ELECT 100U M 6.3V
C4153	403 149 9208	CERAMIC 0.01U Z 50V	C5272	403 283 6309	CERAMIC 1U Z 10V
C4154	403 149 9208	CERAMIC 0.01U Z 50V	C5273	403 304 1801	ELECT 100U M 6.3V
C4156	403 162 4709	ELECT 10U M 16V	C5274	403 283 6309	CERAMIC 1U Z 10V
	403 335 0309	ELECT 10U M 16V	C5276	403 157 1904	CERAMIC 10P D 50V
C4158	403 162 6000	ELECT 0.47U M 50V	C5277	403 157 2901	CERAMIC 47P J 50V
C4159	403 149 9208	CERAMIC 0.01U Z 50V	C5286	403 157 1904	CERAMIC 10P D 50V
C416	403 164 0204	CERAMIC 0.1U Z 25V	C5287	403 139 7504	CERAMIC 39P J 50V
C4161	403 149 9208	CERAMIC 0.01U Z 50V	C5296	403 157 1904	CERAMIC 10P D 50V
C4162	403 149 9208	CERAMIC 0.01U Z 50V	C5297	403 157 2901	CERAMIC 47P J 50V
C4163	403 164 0204	CERAMIC 0.1U Z 25V	C531	403 304 1801	ELECT 100U M 6.3V
C4164	403 164 0204	CERAMIC 0.1U Z 25V	C532	403 164 0204	CERAMIC 0.1U Z 25V
C4166	403 164 0204	CERAMIC 0.1U Z 25V	C533	403 304 3300	ELECT 47U M 16V
C4167	403 164 0204	CERAMIC 0.1U Z 25V	C534	403 164 0204	CERAMIC 0.1U Z 25V
C4168	403 164 0204	CERAMIC 0.1U Z 25V	C536	403 164 0204	CERAMIC 0.1U Z 25V
C4169	403 164 0204	CERAMIC 0.1U Z 25V	C537	403 164 0204	CERAMIC 0.1U Z 25V
C417	403 164 0204	CERAMIC 0.1U Z 25V	C538	403 164 0204	CERAMIC 0.1U Z 25V
C4176	403 164 0204	CERAMIC 0.1U Z 25V	C539	403 164 0204	CERAMIC 0.1U Z 25V
C4177	403 175 4802	NP-ELECT 10U M 10V	C541	403 164 0204	CERAMIC 0.1U Z 25V
C418	403 164 0204	CERAMIC 0.1U Z 25V	C542	403 164 0204	CERAMIC 0.1U Z 25V
C4186	403 164 0204	CERAMIC 0.1U Z 25V	C543	403 164 0204	CERAMIC 0.1U Z 25V
C419	403 164 0204	CERAMIC 0.1U Z 25V	C551	403 164 0204	CERAMIC 0.1U Z 25V
C421	403 164 0204	CERAMIC 0.1U Z 25V	C552	403 164 0204	CERAMIC 0.1U Z 25V
C422	403 164 0204	CERAMIC 0.1U Z 25V	C561	403 304 1801	ELECT 100U M 6.3V
C423	403 164 0204	CERAMIC 0.1U Z 25V	C562	403 164 0204	CERAMIC 0.1U Z 25V
C501	403 304 1801	ELECT 100U M 6.3V	C563	403 304 3300	ELECT 47U M 16V
C502	403 164 0204	CERAMIC 0.1U Z 25V	C564	403 164 0204	CERAMIC 0.1U Z 25V
C503	403 304 3300	ELECT 47U M 16V	C566	403 164 0204	CERAMIC 0.1U Z 25V
C504	403 164 0204	CERAMIC 0.1U Z 25V	C567	403 164 0204	CERAMIC 0.1U Z 25V
C506	403 164 0204	CERAMIC 0.1U Z 25V	C568	403 164 0204	CERAMIC 0.1U Z 25V
C507	403 164 0204	CERAMIC 0.1U Z 25V	C569	403 164 0204	CERAMIC 0.1U Z 25V
C508	403 164 0204	CERAMIC 0.1U Z 25V	C571	403 164 0204	CERAMIC 0.1U Z 25V
C509	403 164 0204	CERAMIC 0.1U Z 25V	C572	403 164 0204	CERAMIC 0.1U Z 25V
C511	403 164 0204	CERAMIC 0.1U Z 25V	C573	403 164 0204	CERAMIC 0.1U Z 25V
C512	403 164 0204	CERAMIC 0.1U Z 25V	C581	403 164 0204	CERAMIC 0.1U Z 25V
C513	403 164 0204	CERAMIC 0.1U Z 25V	C582	403 164 0204	CERAMIC 0.1U Z 25V
C5201	403 304 2105	ELECT 47U M 6.3V	C6101	403 164 0204	CERAMIC 0.1U Z 25V
C5202	403 164 0204	CERAMIC 0.1U Z 25V	C6121	403 164 0204	CERAMIC 0.1U Z 25V
C5203	403 304 2105	ELECT 47U M 6.3V	C6127	403 155 1302	CERAMIC 150P J 50V
C5204	403 164 0204	CERAMIC 0.1U Z 25V	C6131	403 163 9802	CERAMIC 0.047U Z 25V
C5206	403 304 1801	ELECT 100U M 6.3V	C6141	403 164 0204	CERAMIC 0.1U Z 25V
C5207	403 283 6309	CERAMIC 1U Z 10V	C6147	403 163 9802	CERAMIC 0.047U Z 25V
C5208	403 304 1801	ELECT 100U M 6.3V	C6151	403 163 9802	CERAMIC 0.047U Z 25V
C5209	403 283 6309	CERAMIC 1U Z 10V	C6202	403 164 0204	CERAMIC 0.1U Z 25V
C521	403 164 0204	CERAMIC 0.1U Z 25V	C6204	403 164 0204	CERAMIC 0.1U Z 25V
C5211	403 157 1508	CERAMIC 3P C 50V	C6211	403 157 3601	CERAMIC 100P J 50V
C5212	403 157 1508	CERAMIC 3P C 50V	C6212	403 348 5803	CERAMIC 0.47U K 10V
C5213	403 157 1508	CERAMIC 3P C 50V	C6216	403 157 1904	CERAMIC 10P D 50V
C522	403 164 0204	CERAMIC 0.1U Z 25V	C6221	403 157 3601	CERAMIC 100P J 50V
C5231	403 162 4006	ELECT 22U M 6.3V	C6222	401 105 7909	MT-GLAZE 0.000 ZA 1/16W
C5232	403 162 4006	ELECT 22U M 6.3V	C6226	403 157 1904	CERAMIC 10P D 50V
C5233	403 162 4006	ELECT 22U M 6.3V	C6241	403 304 1801	ELECT 100U M 6.3V
C5241	403 164 0204	CERAMIC 0.1U Z 25V	C6242	403 164 0204	CERAMIC 0.1U Z 25V
C5242	403 164 0204	CERAMIC 0.1U Z 25V	C6243	403 205 7803	TA-SOLID 2.2U M 16V
C5243	403 164 0204	CERAMIC 0.1U Z 25V	C6244	403 205 7803	TA-SOLID 2.2U M 16V
C5244	403 149 9208	CERAMIC 0.01U Z 50V	C6245	403 162 6208	ELECT 1U M 50V
C5246	403 267 0804	NP-ELECT 47U M 6.3V	C6246	403 314 5905	CERAMIC 0.47U K 16V
C5247	403 267 0804	NP-ELECT 47U M 6.3V	C6247	403 162 6604	ELECT 2.2U M 50V
C5248	403 267 0804	NP-ELECT 47U M 6.3V	C6248	403 162 6208	ELECT 1U M 50V
C5251	403 164 0204	CERAMIC 0.1U Z 25V	C6249	403 157 3601	CERAMIC 100P J 50V
C5252	403 164 0204	CERAMIC 0.1U Z 25V	C6251	403 164 0204	CERAMIC 0.1U Z 25V
C5253	403 164 0204	CERAMIC 0.1U Z 25V	C6261	403 164 0204	CERAMIC 0.1U Z 25V
C5256	403 304 3300	ELECT 47U M 16V	C6265	403 157 3809	CERAMIC 120P J 50V
C5257	403 164 0204	CERAMIC 0.1U Z 25V	C6266	403 157 3809	CERAMIC 120P J 50V
C5258	403 304 1801	ELECT 100U M 6.3V	C6267	403 157 3809	CERAMIC 120P J 50V
C5259	403 164 0204	CERAMIC 0.1U Z 25V	C6268	403 157 3809	CERAMIC 120P J 50V

Electrical Parts List

Key No.	Part No.	Description	Key No.	Part No.	Description
C6271	403 164 0204	CERAMIC 0.1U Z 25V	C8072	403 164 0204	CERAMIC 0.1U Z 25V
C6281	403 164 0204	CERAMIC 0.1U Z 25V	C8073	403 164 0204	CERAMIC 0.1U Z 25V
C6601	403 322 7809	ELECT 220U M 6.3V	C8082	403 164 0204	CERAMIC 0.1U Z 25V
C6602	403 164 0204	CERAMIC 0.1U Z 25V	C8101	403 304 1801	ELECT 100U M 6.3V
C6603	403 322 7809	ELECT 220U M 6.3V	C8102	403 164 0204	CERAMIC 0.1U Z 25V
C6604	403 164 0204	CERAMIC 0.1U Z 25V	C811	403 164 0204	CERAMIC 0.1U Z 25V
C6606	403 322 7809	ELECT 220U M 6.3V	C812	403 164 0204	CERAMIC 0.1U Z 25V
C6607	403 164 0204	CERAMIC 0.1U Z 25V	C8121	403 304 1801	ELECT 100U M 6.3V
C6611	403 322 7809	ELECT 220U M 6.3V	C8122	403 164 0204	CERAMIC 0.1U Z 25V
C6612	403 164 0204	CERAMIC 0.1U Z 25V	C813	403 164 0204	CERAMIC 0.1U Z 25V
C6613	403 280 1604	ELECT 220U M 16V	C814	403 164 0204	CERAMIC 0.1U Z 25V
C6614	403 164 0204	CERAMIC 0.1U Z 25V	C841	403 304 2105	ELECT 47U M 6.3V
C6616	403 280 1604	ELECT 220U M 16V	C842	403 164 0204	CERAMIC 0.1U Z 25V
C6617	403 280 1604	ELECT 220U M 16V	C843	403 162 4709	ELECT 10U M 16V
C6621	403 229 3508	ELECT 100U M 16V		403 335 0309	ELECT 10U M 16V
	403 335 0408	ELECT 100U M 16V	C844	403 283 6309	CERAMIC 1U Z 10V
C6622	403 164 0204	CERAMIC 0.1U Z 25V	C846	403 164 0204	CERAMIC 0.1U Z 25V
C6623	403 229 3508	ELECT 100U M 16V	C851	403 145 9905	CERAMIC 22P J 50V
	403 335 0408	ELECT 100U M 16V	C852	403 145 9905	CERAMIC 22P J 50V
C6624	403 164 0204	CERAMIC 0.1U Z 25V	C9802	403 164 0204	CERAMIC 0.1U Z 25V
C6631	403 229 3508	ELECT 100U M 16V	C9803	403 164 0204	CERAMIC 0.1U Z 25V
	403 335 0408	ELECT 100U M 16V	C9804	403 164 0204	CERAMIC 0.1U Z 25V
C6632	403 164 0204	CERAMIC 0.1U Z 25V	C9806	403 164 0204	CERAMIC 0.1U Z 25V
C6633	403 322 7809	ELECT 220U M 6.3V	C9811	403 113 3805	CERAMIC 1000P K 50V
C6634	403 164 0204	CERAMIC 0.1U Z 25V	C9812	403 153 9102	CERAMIC 5P C 50V
C6642	403 164 0204	CERAMIC 0.1U Z 25V	C9813	403 164 0204	CERAMIC 0.1U Z 25V
C6643	403 322 7809	ELECT 220U M 6.3V			
C6644	403 164 0204	CERAMIC 0.1U Z 25V	RESISTOR		
C6652	403 164 0204	CERAMIC 0.1U Z 25V	RB1431	645 037 0663	R-NETWORK 22X4 0.063W
C6653	403 322 7809	ELECT 220U M 6.3V		645 033 2210	R-NETWORK 22X4 1/16W
C6654	403 164 0204	CERAMIC 0.1U Z 25V	RB1432	645 037 0663	R-NETWORK 22X4 0.063W
C6662	403 164 0204	CERAMIC 0.1U Z 25V		645 033 2210	R-NETWORK 22X4 1/16W
C6663	403 322 7809	ELECT 220U M 6.3V	RB1433	645 037 0663	R-NETWORK 22X4 0.063W
C6664	403 164 0204	CERAMIC 0.1U Z 25V		645 033 2210	R-NETWORK 22X4 1/16W
C6665	403 164 0204	CERAMIC 0.1U Z 25V	RB1434	645 037 0663	R-NETWORK 22X4 0.063W
C6672	403 164 0204	CERAMIC 0.1U Z 25V		645 033 2210	R-NETWORK 22X4 1/16W
C6673	403 322 7809	ELECT 220U M 6.3V	RB1435	645 037 0663	R-NETWORK 22X4 0.063W
C6674	403 164 0204	CERAMIC 0.1U Z 25V		645 033 2210	R-NETWORK 22X4 1/16W
C6675	403 164 0204	CERAMIC 0.1U Z 25V	RB1436	645 037 0663	R-NETWORK 22X4 0.063W
C8001	403 304 1801	ELECT 100U M 6.3V		645 033 2210	R-NETWORK 22X4 1/16W
C8002	403 164 0204	CERAMIC 0.1U Z 25V	RB1441	645 037 0656	R-NETWORK 0X4 0.063W
C8003	403 304 1801	ELECT 100U M 6.3V		645 027 1519	R-NETWORK 0X4 1/16W
C8004	403 164 0204	CERAMIC 0.1U Z 25V	RB1442	645 037 0656	R-NETWORK 0X4 0.063W
C8005	403 304 1801	ELECT 100U M 6.3V		645 027 1519	R-NETWORK 0X4 1/16W
C8006	403 164 0204	CERAMIC 0.1U Z 25V	RB1443	645 037 0656	R-NETWORK 0X4 0.063W
C801	403 304 1801	ELECT 100U M 6.3V		645 027 1519	R-NETWORK 0X4 1/16W
C8011	403 164 0204	CERAMIC 0.1U Z 25V	RB1444	645 037 0656	R-NETWORK 0X4 0.063W
C8012	403 155 1500	CERAMIC 180P J 50V		645 027 1519	R-NETWORK 0X4 1/16W
C8013	403 169 2807	CERAMIC 330P J 50V	RB1445	645 037 0656	R-NETWORK 0X4 0.063W
C8014	403 169 2807	CERAMIC 330P J 50V		645 027 1519	R-NETWORK 0X4 1/16W
C8016	403 155 1500	CERAMIC 180P J 50V	RB1446	645 037 0656	R-NETWORK 0X4 0.063W
C8017	403 169 2807	CERAMIC 330P J 50V		645 027 1519	R-NETWORK 0X4 1/16W
C8019	403 169 2807	CERAMIC 330P J 50V	RB301	645 020 7822	R-NETWORK 10KX4 0.063W
C802	403 164 0204	CERAMIC 0.1U Z 25V		645 026 8014	R-NETWORK 10KX4 1/16W
C8021	403 155 1500	CERAMIC 180P J 50V	RB302	645 020 7822	R-NETWORK 10KX4 0.063W
C8022	403 169 2807	CERAMIC 330P J 50V		645 026 8014	R-NETWORK 10KX4 1/16W
C8023	403 157 3601	CERAMIC 100P J 50V	RB303	645 020 7822	R-NETWORK 10KX4 0.063W
C8024	403 157 3601	CERAMIC 100P J 50V		645 026 8014	R-NETWORK 10KX4 1/16W
C8026	403 157 3601	CERAMIC 100P J 50V	RB304	645 020 7822	R-NETWORK 10KX4 0.063W
C8027	403 157 3601	CERAMIC 100P J 50V		645 026 8014	R-NETWORK 10KX4 1/16W
C8028	403 157 3601	CERAMIC 100P J 50V	RB305	645 020 7822	R-NETWORK 10KX4 0.063W
C8029	403 164 0204	CERAMIC 0.1U Z 25V		645 026 8014	R-NETWORK 10KX4 1/16W
C8051	403 304 1801	ELECT 100U M 6.3V	RB306	645 020 7822	R-NETWORK 10KX4 0.063W
C8052	403 164 0204	CERAMIC 0.1U Z 25V		645 026 8014	R-NETWORK 10KX4 1/16W
C8053	403 164 0204	CERAMIC 0.1U Z 25V	RB307	645 020 7822	R-NETWORK 10KX4 0.063W
C8062	403 164 0204	CERAMIC 0.1U Z 25V		645 026 8014	R-NETWORK 10KX4 1/16W
C8063	403 164 0204	CERAMIC 0.1U Z 25V	RB308	645 020 7822	R-NETWORK 10KX4 0.063W
				645 026 8014	R-NETWORK 10KX4 1/16W

Electrical Parts List

Key No.	Part No.	Description	Key No.	Part No.	Description
RB309	645 020 7822	R-NETWORK 10KX4 0.063W		645 026 8021	R-NETWORK 100KX4 1/16W
	645 026 8014	R-NETWORK 10KX4 1/16W	R1101	401 105 7909	MT-GLAZE 0.000 ZA 1/16W
RB310	645 020 7822	R-NETWORK 10KX4 0.063W	R1102	401 105 6605	MT-GLAZE 6.8K JA 1/16W
	645 026 8014	R-NETWORK 10KX4 1/16W	R1103	401 105 6605	MT-GLAZE 6.8K JA 1/16W
RB311	645 020 7822	R-NETWORK 10KX4 0.063W	R1104	401 105 4106	MT-GLAZE 3.3K JA 1/16W
	645 026 8014	R-NETWORK 10KX4 1/16W	R1105	401 105 0405	MT-GLAZE 100 JA 1/16W
RB312	645 020 7822	R-NETWORK 10KX4 0.063W	R1106	401 105 0405	MT-GLAZE 100 JA 1/16W
	645 026 8014	R-NETWORK 10KX4 1/16W	R1122	401 105 7909	MT-GLAZE 0.000 ZA 1/16W
RB3821	645 020 7822	R-NETWORK 10KX4 0.063W	R1123	401 105 3406	MT-GLAZE 27K JA 1/16W
	645 026 8014	R-NETWORK 10KX4 1/16W	R1127	401 105 7909	MT-GLAZE 0.000 ZA 1/16W
RB411	645 037 0663	R-NETWORK 22X4 0.063W	R1129	401 105 2805	MT-GLAZE 2.2K JA 1/16W
	645 033 2210	R-NETWORK 22X4 1/16W	R113	401 105 0504	MT-GLAZE 1K JA 1/16W
RB412	645 037 0663	R-NETWORK 22X4 0.063W	R1131	401 105 3406	MT-GLAZE 27K JA 1/16W
	645 033 2210	R-NETWORK 22X4 1/16W	R1132	401 105 7503	MT-GLAZE 82K JA 1/16W
RB413	645 037 0663	R-NETWORK 22X4 0.063W	R1133	401 105 1006	MT-GLAZE 1.2K JA 1/16W
	645 033 2210	R-NETWORK 22X4 1/16W	R1134	401 105 0504	MT-GLAZE 1K JA 1/16W
RB414	645 037 0663	R-NETWORK 22X4 0.063W	R1136	401 105 0504	MT-GLAZE 1K JA 1/16W
	645 033 2210	R-NETWORK 22X4 1/16W	R1137	401 105 0405	MT-GLAZE 100 JA 1/16W
RB415	645 037 0663	R-NETWORK 22X4 0.063W	R1139	401 105 0504	MT-GLAZE 1K JA 1/16W
	645 033 2210	R-NETWORK 22X4 1/16W	R114	401 105 6506	MT-GLAZE 680 JA 1/16W
RB416	645 037 0663	R-NETWORK 22X4 0.063W	R1141	401 105 5905	MT-GLAZE 560 JA 1/16W
	645 033 2210	R-NETWORK 22X4 1/16W	R1142	401 105 1501	MT-GLAZE 1.5K JA 1/16W
RB501	645 037 3107	R-NETWORK 10X4 0.063W	R1143	401 105 0504	MT-GLAZE 1K JA 1/16W
	645 028 5998	R-NETWORK 10X4 1/16W	R1144	401 105 5905	MT-GLAZE 560 JA 1/16W
RB502	645 037 3107	R-NETWORK 10X4 0.063W	R1145	401 105 1501	MT-GLAZE 1.5K JA 1/16W
	645 028 5998	R-NETWORK 10X4 1/16W	R1146	401 105 0504	MT-GLAZE 1K JA 1/16W
RB503	645 037 3107	R-NETWORK 10X4 0.063W	R1147	401 105 5905	MT-GLAZE 560 JA 1/16W
	645 028 5998	R-NETWORK 10X4 1/16W	R1148	401 105 1501	MT-GLAZE 1.5K JA 1/16W
RB531	645 037 3107	R-NETWORK 10X4 0.063W	R1149	401 105 0504	MT-GLAZE 1K JA 1/16W
	645 028 5998	R-NETWORK 10X4 1/16W	R1151	401 105 0405	MT-GLAZE 100 JA 1/16W
RB532	645 037 3107	R-NETWORK 10X4 0.063W	R1152	401 105 0504	MT-GLAZE 1K JA 1/16W
	645 028 5998	R-NETWORK 10X4 1/16W	R1153	401 105 0405	MT-GLAZE 100 JA 1/16W
RB533	645 037 3107	R-NETWORK 10X4 0.063W	R1154	401 105 0504	MT-GLAZE 1K JA 1/16W
	645 028 5998	R-NETWORK 10X4 1/16W	R1155	401 105 0405	MT-GLAZE 100 JA 1/16W
RB561	645 037 3107	R-NETWORK 10X4 0.063W	R1156	401 105 0504	MT-GLAZE 1K JA 1/16W
	645 028 5998	R-NETWORK 10X4 1/16W	R116	401 105 3307	MT-GLAZE 2.7K JA 1/16W
RB562	645 037 3107	R-NETWORK 10X4 0.063W	R1161	401 105 7909	MT-GLAZE 0.000 ZA 1/16W
	645 028 5998	R-NETWORK 10X4 1/16W	R1162	401 105 0504	MT-GLAZE 1K JA 1/16W
RB563	645 037 3107	R-NETWORK 10X4 0.063W	R121	401 105 7909	MT-GLAZE 0.000 ZA 1/16W
	645 028 5998	R-NETWORK 10X4 1/16W	R123	401 105 7909	MT-GLAZE 0.000 ZA 1/16W
RB8001	645 037 3107	R-NETWORK 10X4 0.063W	R1301	401 105 7909	MT-GLAZE 0.000 ZA 1/16W
	645 028 5998	R-NETWORK 10X4 1/16W	R131	401 105 0405	MT-GLAZE 100 JA 1/16W
RB8002	645 037 3107	R-NETWORK 10X4 0.063W	R1311	401 105 7909	MT-GLAZE 0.000 ZA 1/16W
	645 028 5998	R-NETWORK 10X4 1/16W	R1312	401 105 7909	MT-GLAZE 0.000 ZA 1/16W
RB8003	645 037 3107	R-NETWORK 10X4 0.063W	R1313	401 105 4106	MT-GLAZE 3.3K JA 1/16W
	645 028 5998	R-NETWORK 10X4 1/16W	R132	401 105 0504	MT-GLAZE 1K JA 1/16W
RB8004	645 037 3107	R-NETWORK 10X4 0.063W	R133	401 105 0405	MT-GLAZE 100 JA 1/16W
	645 028 5998	R-NETWORK 10X4 1/16W	R134	401 105 0504	MT-GLAZE 1K JA 1/16W
RB8005	645 037 3107	R-NETWORK 10X4 0.063W	R1341	401 105 0603	MT-GLAZE 10K JA 1/16W
	645 028 5998	R-NETWORK 10X4 1/16W	R1342	401 105 0603	MT-GLAZE 10K JA 1/16W
RB8006	645 037 3107	R-NETWORK 10X4 0.063W	R1344	401 105 0603	MT-GLAZE 10K JA 1/16W
	645 028 5998	R-NETWORK 10X4 1/16W	R1346	401 105 0603	MT-GLAZE 10K JA 1/16W
RB8007	645 037 3107	R-NETWORK 10X4 0.063W	R1352	401 105 7909	MT-GLAZE 0.000 ZA 1/16W
	645 028 5998	R-NETWORK 10X4 1/16W	R1353	401 105 0603	MT-GLAZE 10K JA 1/16W
RB8008	645 037 3107	R-NETWORK 10X4 0.063W	R1357	401 105 0603	MT-GLAZE 10K JA 1/16W
	645 028 5998	R-NETWORK 10X4 1/16W	R1362	401 113 4402	MT-GLAZE 75 JA 1/16W
RB8011	645 037 3107	R-NETWORK 10X4 0.063W	R1366	401 105 0603	MT-GLAZE 10K JA 1/16W
	645 028 5998	R-NETWORK 10X4 1/16W	R1371	401 105 2003	MT-GLAZE 1.8K JA 1/16W
RB8012	645 037 3107	R-NETWORK 10X4 0.063W	R1372	401 105 4106	MT-GLAZE 3.3K JA 1/16W
	645 028 5998	R-NETWORK 10X4 1/16W	R1373	401 105 7909	MT-GLAZE 0.000 ZA 1/16W
RB8013	645 037 3107	R-NETWORK 10X4 0.063W	R1431	401 105 2607	MT-GLAZE 22 JA 1/16W
	645 028 5998	R-NETWORK 10X4 1/16W	R1432	401 105 2607	MT-GLAZE 22 JA 1/16W
RB8014	645 037 3107	R-NETWORK 10X4 0.063W	R1433	401 105 2607	MT-GLAZE 22 JA 1/16W
	645 028 5998	R-NETWORK 10X4 1/16W	R1434	401 105 2607	MT-GLAZE 22 JA 1/16W
RB9801	645 021 0365	R-NETWORK 100KX4 0.063W	R1435	401 105 2607	MT-GLAZE 22 JA 1/16W
	645 026 8021	R-NETWORK 100KX4 1/16W	R1436	401 105 2607	MT-GLAZE 22 JA 1/16W
RB9802	645 021 0365	R-NETWORK 100KX4 0.063W	R1441	401 105 7909	MT-GLAZE 0.000 ZA 1/16W

Electrical Parts List

Key No.	Part No.	Description	Key No.	Part No.	Description
R1442	401 105 7909	MT-GLAZE 0.000 ZA 1/16W	R1891	401 105 0504	MT-GLAZE 1K JA 1/16W
R1443	401 105 7909	MT-GLAZE 0.000 ZA 1/16W	R1892TM	401 024 7400	CARBON 10K JA 1/6W
R1444	401 105 7909	MT-GLAZE 0.000 ZA 1/16W	R204	401 105 7909	MT-GLAZE 0.000 ZA 1/16W
R1445	401 105 7909	MT-GLAZE 0.000 ZA 1/16W	R205	401 105 7909	MT-GLAZE 0.000 ZA 1/16W
R1446	401 105 7909	MT-GLAZE 0.000 ZA 1/16W	R207	401 105 7909	MT-GLAZE 0.000 ZA 1/16W
R1502	401 105 7909	MT-GLAZE 0.000 ZA 1/16W	R2101	401 105 7909	MT-GLAZE 0.000 ZA 1/16W
R1503	401 105 7909	MT-GLAZE 0.000 ZA 1/16W	R2102	401 105 7909	MT-GLAZE 0.000 ZA 1/16W
R152	401 105 8104	MT-GLAZE 56K JA 1/16W	R2103	401 105 3901	MT-GLAZE 33 JA 1/16W
R153	401 105 3406	MT-GLAZE 27K JA 1/16W	R2104	401 105 1907	MT-GLAZE 180 JA 1/16W
R1532	401 105 7909	MT-GLAZE 0.000 ZA 1/16W	R2105	401 105 4106	MT-GLAZE 3.3K JA 1/16W
R1533	401 105 7909	MT-GLAZE 0.000 ZA 1/16W	R2106	401 105 0306	MT-GLAZE 10 JA 1/16W
R154	401 105 0504	MT-GLAZE 1K JA 1/16W	R2107	401 105 3901	MT-GLAZE 33 JA 1/16W
R156	401 105 2003	MT-GLAZE 1.8K JA 1/16W	R2108	401 105 1907	MT-GLAZE 180 JA 1/16W
R1562	401 105 7909	MT-GLAZE 0.000 ZA 1/16W	R2109	401 105 0306	MT-GLAZE 10 JA 1/16W
R1563	401 105 7909	MT-GLAZE 0.000 ZA 1/16W	R211	401 105 7909	MT-GLAZE 0.000 ZA 1/16W
R157	401 105 6506	MT-GLAZE 680 JA 1/16W	R2111	401 105 4106	MT-GLAZE 3.3K JA 1/16W
R158	401 105 3307	MT-GLAZE 2.7K JA 1/16W	R2112	401 105 2805	MT-GLAZE 2.2K JA 1/16W
R1581	401 105 0405	MT-GLAZE 100 JA 1/16W	R2113	401 105 4106	MT-GLAZE 3.3K JA 1/16W
R1582	401 105 0405	MT-GLAZE 100 JA 1/16W	R2117	401 105 7909	MT-GLAZE 0.000 ZA 1/16W
R1583	401 105 0603	MT-GLAZE 10K JA 1/16W	R2118	401 105 7909	MT-GLAZE 0.000 ZA 1/16W
R1584	401 105 0603	MT-GLAZE 10K JA 1/16W	R2119	401 105 0405	MT-GLAZE 100 JA 1/16W
R1586	401 105 0603	MT-GLAZE 10K JA 1/16W	R212	401 105 7909	MT-GLAZE 0.000 ZA 1/16W
R1587	401 105 0405	MT-GLAZE 100 JA 1/16W	R2121	401 105 0405	MT-GLAZE 100 JA 1/16W
R1588	401 105 0405	MT-GLAZE 100 JA 1/16W	R2123	401 105 5301	MT-GLAZE 4.7K JA 1/16W
R1589	401 105 0405	MT-GLAZE 100 JA 1/16W	R2124	401 105 8104	MT-GLAZE 56K JA 1/16W
R159	401 105 0504	MT-GLAZE 1K JA 1/16W	R2126	401 105 5905	MT-GLAZE 560 JA 1/16W
R1591	401 105 7404	MT-GLAZE 8.2K JA 1/16W	R213	401 105 2003	MT-GLAZE 1.8K JA 1/16W
R1592	401 105 7404	MT-GLAZE 8.2K JA 1/16W	R2131	401 105 5301	MT-GLAZE 4.7K JA 1/16W
R1593	401 105 7404	MT-GLAZE 8.2K JA 1/16W	R214	401 105 2003	MT-GLAZE 1.8K JA 1/16W
R171	401 105 7503	MT-GLAZE 82K JA 1/16W	R216	401 105 7909	MT-GLAZE 0.000 ZA 1/16W
R172	401 105 3406	MT-GLAZE 27K JA 1/16W	R2161	401 105 0405	MT-GLAZE 100 JA 1/16W
R173	401 105 0504	MT-GLAZE 1K JA 1/16W	R2162	401 105 0405	MT-GLAZE 100 JA 1/16W
R174	401 105 2003	MT-GLAZE 1.8K JA 1/16W	R217	401 105 7909	MT-GLAZE 0.000 ZA 1/16W
R176	401 105 6506	MT-GLAZE 680 JA 1/16W	R218	401 105 0603	MT-GLAZE 10K JA 1/16W
R177	401 105 3307	MT-GLAZE 2.7K JA 1/16W	R2181	401 105 0405	MT-GLAZE 100 JA 1/16W
R178	401 105 0504	MT-GLAZE 1K JA 1/16W	R2182	401 105 0405	MT-GLAZE 100 JA 1/16W
R1801	401 105 0405	MT-GLAZE 100 JA 1/16W	R219	401 105 4106	MT-GLAZE 3.3K JA 1/16W
R1802	401 105 0405	MT-GLAZE 100 JA 1/16W	R221	401 105 5103	MT-GLAZE 47 JA 1/16W
R1816	401 105 5301	MT-GLAZE 4.7K JA 1/16W	R222	401 105 0405	MT-GLAZE 100 JA 1/16W
R1817	401 105 5301	MT-GLAZE 4.7K JA 1/16W	R2501	401 148 6006	MT-GLAZE 2.2 JA 1/16W
R1818	401 105 5301	MT-GLAZE 4.7K JA 1/16W	R2502	401 148 6006	MT-GLAZE 2.2 JA 1/16W
R1819	401 105 5301	MT-GLAZE 4.7K JA 1/16W	R2506	401 105 2805	MT-GLAZE 2.2K JA 1/16W
R1831	401 105 0405	MT-GLAZE 100 JA 1/16W	R2507	401 105 4601	MT-GLAZE 3.9K JA 1/16W
R1832	401 105 0405	MT-GLAZE 100 JA 1/16W	R2508	401 105 4700	MT-GLAZE 39K JA 1/16W
R1833	401 105 7909	MT-GLAZE 0.000 ZA 1/16W	R2509	401 105 0504	MT-GLAZE 1K JA 1/16W
R1834	401 105 7909	MT-GLAZE 0.000 ZA 1/16W	R251	401 105 2003	MT-GLAZE 1.8K JA 1/16W
R1836	401 105 0405	MT-GLAZE 100 JA 1/16W	R2511	401 148 6006	MT-GLAZE 2.2 JA 1/16W
R1837	401 105 0405	MT-GLAZE 100 JA 1/16W	R2512	401 148 6006	MT-GLAZE 2.2 JA 1/16W
R1851	401 105 0405	MT-GLAZE 100 JA 1/16W	R2516	401 105 2805	MT-GLAZE 2.2K JA 1/16W
R1852	401 105 0405	MT-GLAZE 100 JA 1/16W	R2517	401 105 4601	MT-GLAZE 3.9K JA 1/16W
R1853	401 105 0603	MT-GLAZE 10K JA 1/16W	R2518	401 105 4700	MT-GLAZE 39K JA 1/16W
R1855	401 105 0603	MT-GLAZE 10K JA 1/16W	R2519	401 105 0504	MT-GLAZE 1K JA 1/16W
R1861	401 105 0405	MT-GLAZE 100 JA 1/16W	R252	401 105 4106	MT-GLAZE 3.3K JA 1/16W
R1862	401 105 7909	MT-GLAZE 0.000 ZA 1/16W	R2521	401 148 6006	MT-GLAZE 2.2 JA 1/16W
R1863	401 105 7909	MT-GLAZE 0.000 ZA 1/16W	R2522	401 148 6006	MT-GLAZE 2.2 JA 1/16W
R1864	401 105 7909	MT-GLAZE 0.000 ZA 1/16W	R2526	401 105 2805	MT-GLAZE 2.2K JA 1/16W
R1876	401 105 0405	MT-GLAZE 100 JA 1/16W	R2527	401 105 4601	MT-GLAZE 3.9K JA 1/16W
R1877	401 105 0405	MT-GLAZE 100 JA 1/16W	R2528	401 105 4700	MT-GLAZE 39K JA 1/16W
R1878	401 105 0405	MT-GLAZE 100 JA 1/16W	R2529	401 105 0504	MT-GLAZE 1K JA 1/16W
R1879	401 105 0504	MT-GLAZE 1K JA 1/16W	R253	401 105 0405	MT-GLAZE 100 JA 1/16W
R1881	401 105 0405	MT-GLAZE 100 JA 1/16W	R2533	401 105 7909	MT-GLAZE 0.000 ZA 1/16W
R1882	401 105 0405	MT-GLAZE 100 JA 1/16W	R2534	401 105 4205	MT-GLAZE 33K JA 1/16W
R1883	401 105 0405	MT-GLAZE 100 JA 1/16W	R2536	401 105 0603	MT-GLAZE 10K JA 1/16W
R1884	401 105 4502	MT-GLAZE 390 JA 1/16W	R2537	401 105 0702	MT-GLAZE 100K JA 1/16W
R1886	401 105 4502	MT-GLAZE 390 JA 1/16W	R2538	401 105 0702	MT-GLAZE 100K JA 1/16W
R1888	401 105 7909	MT-GLAZE 0.000 ZA 1/16W	R2539	401 105 0702	MT-GLAZE 100K JA 1/16W
R1889	401 105 0504	MT-GLAZE 1K JA 1/16W	R2571	401 105 0405	MT-GLAZE 100 JA 1/16W

Electrical Parts List

Key No.	Part No.	Description	Key No.	Part No.	Description
R2572	401 105 0405	MT-GLAZE 100 JA 1/16W	R3131	401 105 7909	MT-GLAZE 0.000 ZA 1/16W
R2576	401 105 0504	MT-GLAZE 1K JA 1/16W	R3132	401 105 3901	MT-GLAZE 33 JA 1/16W
R2577	401 105 0504	MT-GLAZE 1K JA 1/16W	R3133	401 105 0504	MT-GLAZE 1K JA 1/16W
R2581	401 105 2003	MT-GLAZE 1.8K JA 1/16W	R3136	401 105 1402	MT-GLAZE 150 JA 1/16W
R2584	401 105 4601	MT-GLAZE 3.9K JA 1/16W	R3137	401 105 1402	MT-GLAZE 150 JA 1/16W
R2591	401 035 4108	MT-GLAZE 0.000 ZA 1/8W	R314	401 105 7909	MT-GLAZE 0.000 ZA 1/16W
R2806	401 105 7909	MT-GLAZE 0.000 ZA 1/16W	R3141	401 105 7909	MT-GLAZE 0.000 ZA 1/16W
R2807	401 105 0405	MT-GLAZE 100 JA 1/16W	R3142	401 105 3901	MT-GLAZE 33 JA 1/16W
R2821	401 105 5202	MT-GLAZE 470 JA 1/16W	R3143	401 105 0504	MT-GLAZE 1K JA 1/16W
R2822	401 105 5202	MT-GLAZE 470 JA 1/16W	R3146	401 105 1402	MT-GLAZE 150 JA 1/16W
R2823	401 105 5202	MT-GLAZE 470 JA 1/16W	R3147	401 105 1402	MT-GLAZE 150 JA 1/16W
R2824	401 105 0603	MT-GLAZE 10K JA 1/16W	R316	401 105 0603	MT-GLAZE 10K JA 1/16W
R2825	401 105 0603	MT-GLAZE 10K JA 1/16W	R3163	401 105 0405	MT-GLAZE 100 JA 1/16W
R2826	401 105 0603	MT-GLAZE 10K JA 1/16W	R3164	401 105 0603	MT-GLAZE 10K JA 1/16W
R2841	401 105 7909	MT-GLAZE 0.000 ZA 1/16W	R3165	401 105 3307	MT-GLAZE 2.7K JA 1/16W
R2842	401 105 7909	MT-GLAZE 0.000 ZA 1/16W	R3168	401 105 0504	MT-GLAZE 1K JA 1/16W
R2843	401 105 7909	MT-GLAZE 0.000 ZA 1/16W	R3169	401 105 0504	MT-GLAZE 1K JA 1/16W
R2844	401 105 7909	MT-GLAZE 0.000 ZA 1/16W	R317	401 105 0603	MT-GLAZE 10K JA 1/16W
R2851	401 105 0504	MT-GLAZE 1K JA 1/16W	R3171	401 105 0504	MT-GLAZE 1K JA 1/16W
R2852	401 105 0504	MT-GLAZE 1K JA 1/16W	R3172	401 105 3307	MT-GLAZE 2.7K JA 1/16W
R2853	401 105 2003	MT-GLAZE 1.8K JA 1/16W	R3173	401 105 0504	MT-GLAZE 1K JA 1/16W
R2854	401 105 5301	MT-GLAZE 4.7K JA 1/16W	R3174	401 105 5301	MT-GLAZE 4.7K JA 1/16W
R2856	401 105 0504	MT-GLAZE 1K JA 1/16W	R3176	401 105 0504	MT-GLAZE 1K JA 1/16W
R2857	401 105 0504	MT-GLAZE 1K JA 1/16W	R3177	401 105 7909	MT-GLAZE 0.000 ZA 1/16W
R2858	401 105 5301	MT-GLAZE 4.7K JA 1/16W	R318	401 105 7909	MT-GLAZE 0.000 ZA 1/16W
R2861	401 105 0504	MT-GLAZE 1K JA 1/16W	R3181	401 105 0603	MT-GLAZE 10K JA 1/16W
R2862	401 105 5301	MT-GLAZE 4.7K JA 1/16W	R3182	401 105 0603	MT-GLAZE 10K JA 1/16W
R2866	401 105 4502	MT-GLAZE 390 JA 1/16W	R3184	401 105 7909	MT-GLAZE 0.000 ZA 1/16W
R2867	401 105 4502	MT-GLAZE 390 JA 1/16W	R3185	401 105 0504	MT-GLAZE 1K JA 1/16W
R2868	401 105 5301	MT-GLAZE 4.7K JA 1/16W	R319	401 105 7909	MT-GLAZE 0.000 ZA 1/16W
R2877	401 105 2904	MT-GLAZE 22K JA 1/16W	R322	401 105 7909	MT-GLAZE 0.000 ZA 1/16W
R2881	401 105 7909	MT-GLAZE 0.000 ZA 1/16W	R323	401 105 7909	MT-GLAZE 0.000 ZA 1/16W
R2882	401 105 7909	MT-GLAZE 0.000 ZA 1/16W	R324	401 105 0603	MT-GLAZE 10K JA 1/16W
R2883	401 105 7909	MT-GLAZE 0.000 ZA 1/16W	R328	401 105 7909	MT-GLAZE 0.000 ZA 1/16W
R2884	401 105 7909	MT-GLAZE 0.000 ZA 1/16W	R329	401 105 7909	MT-GLAZE 0.000 ZA 1/16W
R2887	401 105 0603	MT-GLAZE 10K JA 1/16W	R331	401 105 7909	MT-GLAZE 0.000 ZA 1/16W
R2889	401 105 7909	MT-GLAZE 0.000 ZA 1/16W	R332	401 105 2607	MT-GLAZE 22 JA 1/16W
R2891	401 105 0603	MT-GLAZE 10K JA 1/16W	R333	401 105 2607	MT-GLAZE 22 JA 1/16W
R2897	401 105 5400	MT-GLAZE 47K JA 1/16W	R334	401 105 2607	MT-GLAZE 22 JA 1/16W
R2898	401 105 7909	MT-GLAZE 0.000 ZA 1/16W	R336	401 105 7909	MT-GLAZE 0.000 ZA 1/16W
R301	401 105 0603	MT-GLAZE 10K JA 1/16W	R338	401 105 7909	MT-GLAZE 0.000 ZA 1/16W
R302	401 105 7909	MT-GLAZE 0.000 ZA 1/16W	R344	401 105 7909	MT-GLAZE 0.000 ZA 1/16W
R306	401 105 0603	MT-GLAZE 10K JA 1/16W	R346	401 105 0603	MT-GLAZE 10K JA 1/16W
R307	401 105 7909	MT-GLAZE 0.000 ZA 1/16W	R348	401 105 7909	MT-GLAZE 0.000 ZA 1/16W
R308	401 105 7909	MT-GLAZE 0.000 ZA 1/16W	R349	401 105 0603	MT-GLAZE 10K JA 1/16W
R3100	401 105 7305	MT-GLAZE 820 JA 1/16W	R3504	401 105 0306	MT-GLAZE 10 JA 1/16W
R3101	401 105 6001	MT-GLAZE 5.6K JA 1/16W	R3505	401 105 0306	MT-GLAZE 10 JA 1/16W
R3102	401 105 6001	MT-GLAZE 5.6K JA 1/16W	R3507	401 105 0306	MT-GLAZE 10 JA 1/16W
R3103	401 105 7305	MT-GLAZE 820 JA 1/16W	R3508	401 105 0306	MT-GLAZE 10 JA 1/16W
R3104	401 105 1006	MT-GLAZE 1.2K JA 1/16W	R3509	401 105 0306	MT-GLAZE 10 JA 1/16W
R3105	401 105 1006	MT-GLAZE 1.2K JA 1/16W	R3510	401 105 0306	MT-GLAZE 10 JA 1/16W
R3106	401 105 2904	MT-GLAZE 22K JA 1/16W	R3511	401 105 0306	MT-GLAZE 10 JA 1/16W
R3107	401 105 6001	MT-GLAZE 5.6K JA 1/16W	R3513	401 105 0306	MT-GLAZE 10 JA 1/16W
R3108	401 105 1006	MT-GLAZE 1.2K JA 1/16W	R3514	401 105 0306	MT-GLAZE 10 JA 1/16W
R3109	401 105 7305	MT-GLAZE 820 JA 1/16W	R3515	401 105 0306	MT-GLAZE 10 JA 1/16W
R3111	401 105 0504	MT-GLAZE 1K JA 1/16W	R3516	401 105 0306	MT-GLAZE 10 JA 1/16W
R3112	401 105 0504	MT-GLAZE 1K JA 1/16W	R3517	401 105 7909	MT-GLAZE 0.000 ZA 1/16W
R3113	401 105 1907	MT-GLAZE 180 JA 1/16W	R352	401 105 7909	MT-GLAZE 0.000 ZA 1/16W
R3114	401 158 4108	MT-GLAZE 4.7 JA 1/16W	R3531	401 105 7909	MT-GLAZE 0.000 ZA 1/16W
R3115	401 112 8005	MT-GLAZE 5.6 JA 1/16W	R3532	401 105 7909	MT-GLAZE 0.000 ZA 1/16W
R312	401 105 0603	MT-GLAZE 10K JA 1/16W	R3534	401 105 0306	MT-GLAZE 10 JA 1/16W
R3121	401 105 7909	MT-GLAZE 0.000 ZA 1/16W	R3535	401 105 0306	MT-GLAZE 10 JA 1/16W
R3122	401 105 3901	MT-GLAZE 33 JA 1/16W	R3537	401 105 0306	MT-GLAZE 10 JA 1/16W
R3123	401 105 0504	MT-GLAZE 1K JA 1/16W	R3538	401 105 0306	MT-GLAZE 10 JA 1/16W
R3126	401 105 1402	MT-GLAZE 150 JA 1/16W	R3539	401 105 0306	MT-GLAZE 10 JA 1/16W
R3127	401 105 1402	MT-GLAZE 150 JA 1/16W	R354	401 105 0603	MT-GLAZE 10K JA 1/16W
R313	401 105 7909	MT-GLAZE 0.000 ZA 1/16W	R3540	401 105 0306	MT-GLAZE 10 JA 1/16W

Electrical Parts List

Key No.	Part No.	Description	Key No.	Part No.	Description
R3541	401 105 0306	MT-GLAZE 10 JA 1/16W	R4103	401 105 5202	MT-GLAZE 470 JA 1/16W
R3543	401 105 0306	MT-GLAZE 10 JA 1/16W	R4104	401 217 5404	MT-GLAZE 47K FA 1/16W
R3544	401 105 0306	MT-GLAZE 10 JA 1/16W	R4106	401 105 8104	MT-GLAZE 56K JA 1/16W
R3545	401 105 0306	MT-GLAZE 10 JA 1/16W	R4107	401 105 8104	MT-GLAZE 56K JA 1/16W
R3546	401 105 0306	MT-GLAZE 10 JA 1/16W	R4108	401 105 0405	MT-GLAZE 100 JA 1/16W
R3547	401 105 7909	MT-GLAZE 0.000 ZA 1/16W	R4109	401 105 0405	MT-GLAZE 100 JA 1/16W
R3552	401 105 2805	MT-GLAZE 2.2K JA 1/16W	R411	401 105 2607	MT-GLAZE 22 JA 1/16W
R3553	401 105 0504	MT-GLAZE 1K JA 1/16W	R4111	401 105 0405	MT-GLAZE 100 JA 1/16W
R3556	401 105 7909	MT-GLAZE 0.000 ZA 1/16W	R4112	401 105 0603	MT-GLAZE 10K JA 1/16W
R3558	401 105 7909	MT-GLAZE 0.000 ZA 1/16W	R4113	401 105 0603	MT-GLAZE 10K JA 1/16W
R356	401 105 0603	MT-GLAZE 10K JA 1/16W	R4114	401 105 0603	MT-GLAZE 10K JA 1/16W
R3561	401 105 7909	MT-GLAZE 0.000 ZA 1/16W	R4116	401 105 6001	MT-GLAZE 5.6K JA 1/16W
R3562	401 105 7909	MT-GLAZE 0.000 ZA 1/16W	R4117	401 105 2805	MT-GLAZE 2.2K JA 1/16W
R3563	401 105 0306	MT-GLAZE 10 JA 1/16W	R4118	401 114 0908	MT-GLAZE 3.3M JA 1/16W
R3564	401 105 0306	MT-GLAZE 10 JA 1/16W	R4119	401 105 0603	MT-GLAZE 10K JA 1/16W
R3565	401 105 0306	MT-GLAZE 10 JA 1/16W	R412	401 105 2607	MT-GLAZE 22 JA 1/16W
R3567	401 105 0306	MT-GLAZE 10 JA 1/16W	R4121	401 105 0603	MT-GLAZE 10K JA 1/16W
R3568	401 105 0306	MT-GLAZE 10 JA 1/16W	R4123	401 105 7909	MT-GLAZE 0.000 ZA 1/16W
R3569	401 105 0306	MT-GLAZE 10 JA 1/16W	R4124	401 105 7909	MT-GLAZE 0.000 ZA 1/16W
R3570	401 105 0306	MT-GLAZE 10 JA 1/16W	R4127	401 105 7909	MT-GLAZE 0.000 ZA 1/16W
R3571	401 105 0306	MT-GLAZE 10 JA 1/16W	R4128	401 105 0405	MT-GLAZE 100 JA 1/16W
R3573	401 105 0306	MT-GLAZE 10 JA 1/16W	R4129	401 105 0405	MT-GLAZE 100 JA 1/16W
R3574	401 105 0306	MT-GLAZE 10 JA 1/16W	R413	401 105 2607	MT-GLAZE 22 JA 1/16W
R3575	401 105 0306	MT-GLAZE 10 JA 1/16W	R4131	401 105 0405	MT-GLAZE 100 JA 1/16W
R3576	401 105 0306	MT-GLAZE 10 JA 1/16W	R4133	401 105 7909	MT-GLAZE 0.000 ZA 1/16W
R3577	401 105 7909	MT-GLAZE 0.000 ZA 1/16W	R4134	401 105 0405	MT-GLAZE 100 JA 1/16W
R358	401 105 0603	MT-GLAZE 10K JA 1/16W	R4136	401 105 0405	MT-GLAZE 100 JA 1/16W
R3581	401 105 2805	MT-GLAZE 2.2K JA 1/16W	R4137	401 105 0405	MT-GLAZE 100 JA 1/16W
R3582	401 105 0504	MT-GLAZE 1K JA 1/16W	R4138	401 105 0405	MT-GLAZE 100 JA 1/16W
R359	401 105 0603	MT-GLAZE 10K JA 1/16W	R4139	401 217 4100	MT-GLAZE 22K FA 1/16W
R3591	401 105 1501	MT-GLAZE 1.5K JA 1/16W	R414	401 105 2607	MT-GLAZE 22 JA 1/16W
R3592	401 105 5301	MT-GLAZE 4.7K JA 1/16W	R415	401 105 2607	MT-GLAZE 22 JA 1/16W
R3593	401 105 5301	MT-GLAZE 4.7K JA 1/16W	R416	401 105 2607	MT-GLAZE 22 JA 1/16W
R3594	401 105 0603	MT-GLAZE 10K JA 1/16W	R4174	401 105 7909	MT-GLAZE 0.000 ZA 1/16W
R361	401 105 7909	MT-GLAZE 0.000 ZA 1/16W	R4176	401 105 0405	MT-GLAZE 100 JA 1/16W
R362	401 105 0603	MT-GLAZE 10K JA 1/16W	R4177	401 105 0504	MT-GLAZE 1K JA 1/16W
R364	401 105 2003	MT-GLAZE 1.8K JA 1/16W	R4178	401 105 2805	MT-GLAZE 2.2K JA 1/16W
R366	401 105 2003	MT-GLAZE 1.8K JA 1/16W	R4179	401 105 1006	MT-GLAZE 1.2K JA 1/16W
R368	401 105 7909	MT-GLAZE 0.000 ZA 1/16W	R4181	401 105 0405	MT-GLAZE 100 JA 1/16W
R371	401 105 7909	MT-GLAZE 0.000 ZA 1/16W	R4182	401 105 3000	MT-GLAZE 220K JA 1/16W
R3801	401 105 0405	MT-GLAZE 100 JA 1/16W	R4183	401 105 7909	MT-GLAZE 0.000 ZA 1/16W
R3802	401 105 7909	MT-GLAZE 0.000 ZA 1/16W	R4196	401 105 7909	MT-GLAZE 0.000 ZA 1/16W
R3803	401 105 0603	MT-GLAZE 10K JA 1/16W	R4198	401 105 7909	MT-GLAZE 0.000 ZA 1/16W
R3804	401 105 0405	MT-GLAZE 100 JA 1/16W	R4199	401 105 7909	MT-GLAZE 0.000 ZA 1/16W
R3806	401 105 0405	MT-GLAZE 100 JA 1/16W	R420	401 105 2003	MT-GLAZE 1.8K JA 1/16W
R381	401 105 0603	MT-GLAZE 10K JA 1/16W	R422	401 105 4106	MT-GLAZE 3.3K JA 1/16W
R3821	401 105 0603	MT-GLAZE 10K JA 1/16W	R423	401 105 3901	MT-GLAZE 33 JA 1/16W
R3822	401 105 4205	MT-GLAZE 33K JA 1/16W	R424	401 105 3901	MT-GLAZE 33 JA 1/16W
R3823	401 105 7909	MT-GLAZE 0.000 ZA 1/16W	R426	401 105 3901	MT-GLAZE 33 JA 1/16W
R383	401 105 7909	MT-GLAZE 0.000 ZA 1/16W	R427	401 105 3901	MT-GLAZE 33 JA 1/16W
R3831	401 105 0405	MT-GLAZE 100 JA 1/16W	R428	401 105 3901	MT-GLAZE 33 JA 1/16W
R3832	401 105 0405	MT-GLAZE 100 JA 1/16W	R429	401 105 3901	MT-GLAZE 33 JA 1/16W
R3835	401 105 0504	MT-GLAZE 1K JA 1/16W	R431	401 105 3901	MT-GLAZE 33 JA 1/16W
R384	401 105 0603	MT-GLAZE 10K JA 1/16W	R432	401 105 3901	MT-GLAZE 33 JA 1/16W
R3841	401 105 7909	MT-GLAZE 0.000 ZA 1/16W	R433	401 105 3901	MT-GLAZE 33 JA 1/16W
R3842	401 105 0603	MT-GLAZE 10K JA 1/16W	R434	401 105 3901	MT-GLAZE 33 JA 1/16W
R3843	401 105 0603	MT-GLAZE 10K JA 1/16W	R436	401 105 3901	MT-GLAZE 33 JA 1/16W
R3844	401 105 0405	MT-GLAZE 100 JA 1/16W	R437	401 105 3901	MT-GLAZE 33 JA 1/16W
R3846	401 105 0603	MT-GLAZE 10K JA 1/16W	R438	401 105 3901	MT-GLAZE 33 JA 1/16W
R3847	401 105 0603	MT-GLAZE 10K JA 1/16W	R439	401 105 3901	MT-GLAZE 33 JA 1/16W
R3848	401 105 0603	MT-GLAZE 10K JA 1/16W	R441	401 105 3901	MT-GLAZE 33 JA 1/16W
R387	401 105 0603	MT-GLAZE 10K JA 1/16W	R442	401 105 3901	MT-GLAZE 33 JA 1/16W
R388	401 105 0603	MT-GLAZE 10K JA 1/16W	R443	401 105 3901	MT-GLAZE 33 JA 1/16W
R391	401 105 0603	MT-GLAZE 10K JA 1/16W	R444	401 105 3901	MT-GLAZE 33 JA 1/16W
R392	401 105 0603	MT-GLAZE 10K JA 1/16W	R446	401 105 3901	MT-GLAZE 33 JA 1/16W
R393	401 105 0603	MT-GLAZE 10K JA 1/16W	R447	401 105 3901	MT-GLAZE 33 JA 1/16W
R394	401 105 0603	MT-GLAZE 10K JA 1/16W	R448	401 105 3901	MT-GLAZE 33 JA 1/16W

Electrical Parts List

Key No.	Part No.	Description	Key No.	Part No.	Description
R449	401 105 3901	MT-GLAZE 33 JA 1/16W	R5277	401 105 7404	MT-GLAZE 8.2K JA 1/16W
R451	401 105 3901	MT-GLAZE 33 JA 1/16W	R5278	401 105 5103	MT-GLAZE 47 JA 1/16W
R452	401 105 3901	MT-GLAZE 33 JA 1/16W	R5281	401 105 1402	MT-GLAZE 150 JA 1/16W
R453	401 105 3901	MT-GLAZE 33 JA 1/16W	R5284	401 105 3901	MT-GLAZE 33 JA 1/16W
R454	401 105 3901	MT-GLAZE 33 JA 1/16W	R5286	401 105 0504	MT-GLAZE 1K JA 1/16W
R456	401 105 3901	MT-GLAZE 33 JA 1/16W	R5287	401 105 7404	MT-GLAZE 8.2K JA 1/16W
R457	401 105 3901	MT-GLAZE 33 JA 1/16W	R5288	401 105 5103	MT-GLAZE 47 JA 1/16W
R458	401 105 3901	MT-GLAZE 33 JA 1/16W	R5291	401 105 1402	MT-GLAZE 150 JA 1/16W
R459	401 105 3901	MT-GLAZE 33 JA 1/16W	R5294	401 105 3901	MT-GLAZE 33 JA 1/16W
R461	401 105 7909	MT-GLAZE 0.000 ZA 1/16W	R5296	401 105 0504	MT-GLAZE 1K JA 1/16W
R462	401 105 7909	MT-GLAZE 0.000 ZA 1/16W	R5297	401 105 7404	MT-GLAZE 8.2K JA 1/16W
R463	401 105 7909	MT-GLAZE 0.000 ZA 1/16W	R5298	401 105 5103	MT-GLAZE 47 JA 1/16W
R464	401 105 0603	MT-GLAZE 10K JA 1/16W	R531	401 105 7909	MT-GLAZE 0.000 ZA 1/16W
R466	401 105 7909	MT-GLAZE 0.000 ZA 1/16W	R534	401 105 7909	MT-GLAZE 0.000 ZA 1/16W
R467	401 105 7909	MT-GLAZE 0.000 ZA 1/16W	R551	401 105 6001	MT-GLAZE 5.6K JA 1/16W
R468	401 105 7909	MT-GLAZE 0.000 ZA 1/16W	R553	401 113 6406	MT-GLAZE 5.1K JA 1/16W
R469	401 105 7909	MT-GLAZE 0.000 ZA 1/16W	R554	401 105 7404	MT-GLAZE 8.2K JA 1/16W
R471	401 105 7909	MT-GLAZE 0.000 ZA 1/16W	R561	401 105 7909	MT-GLAZE 0.000 ZA 1/16W
R472	401 105 7909	MT-GLAZE 0.000 ZA 1/16W	R564	401 105 7909	MT-GLAZE 0.000 ZA 1/16W
R473	401 105 7909	MT-GLAZE 0.000 ZA 1/16W	R581	401 105 6001	MT-GLAZE 5.6K JA 1/16W
R501	401 105 7909	MT-GLAZE 0.000 ZA 1/16W	R583	401 113 6406	MT-GLAZE 5.1K JA 1/16W
R504	401 105 7909	MT-GLAZE 0.000 ZA 1/16W	R584	401 105 7404	MT-GLAZE 8.2K JA 1/16W
R5201	401 105 0405	MT-GLAZE 100 JA 1/16W	R6102	401 105 7909	MT-GLAZE 0.000 ZA 1/16W
R5202	401 105 0405	MT-GLAZE 100 JA 1/16W	R6104	401 105 7909	MT-GLAZE 0.000 ZA 1/16W
R5203	401 105 0405	MT-GLAZE 100 JA 1/16W	R6106	401 105 7909	MT-GLAZE 0.000 ZA 1/16W
R521	401 105 6001	MT-GLAZE 5.6K JA 1/16W	R6122	401 105 7909	MT-GLAZE 0.000 ZA 1/16W
R5211	401 105 0306	MT-GLAZE 10 JA 1/16W	R6123	401 105 0405	MT-GLAZE 100 JA 1/16W
R5212	401 105 0306	MT-GLAZE 10 JA 1/16W	R6126	401 105 0702	MT-GLAZE 100K JA 1/16W
R5213	401 105 0306	MT-GLAZE 10 JA 1/16W	R6127	401 105 0702	MT-GLAZE 100K JA 1/16W
R5214	401 105 1501	MT-GLAZE 1.5K JA 1/16W	R6128	401 105 0702	MT-GLAZE 100K JA 1/16W
R5215	401 105 1501	MT-GLAZE 1.5K JA 1/16W	R6129	401 105 2102	MT-GLAZE 18K JA 1/16W
R5216	401 105 1501	MT-GLAZE 1.5K JA 1/16W	R6130	401 105 1600	MT-GLAZE 15K JA 1/16W
R5217	401 105 1501	MT-GLAZE 1.5K JA 1/16W	R6131	401 105 1105	MT-GLAZE 12K JA 1/16W
R5218	401 105 1501	MT-GLAZE 1.5K JA 1/16W	R6133	401 105 0405	MT-GLAZE 100 JA 1/16W
R5219	401 105 1501	MT-GLAZE 1.5K JA 1/16W	R6136	401 105 7909	MT-GLAZE 0.000 ZA 1/16W
R5221	401 113 4402	MT-GLAZE 75 JA 1/16W	R6137	401 105 0603	MT-GLAZE 10K JA 1/16W
R5222	401 105 0900	MT-GLAZE 120 JA 1/16W	R6138	401 105 0504	MT-GLAZE 1K JA 1/16W
R5223	401 113 4402	MT-GLAZE 75 JA 1/16W	R6142	401 105 7909	MT-GLAZE 0.000 ZA 1/16W
R5224	401 105 0900	MT-GLAZE 120 JA 1/16W	R6143	401 105 0405	MT-GLAZE 100 JA 1/16W
R5225	401 113 4402	MT-GLAZE 75 JA 1/16W	R6148	401 105 0405	MT-GLAZE 100 JA 1/16W
R5226	401 105 0900	MT-GLAZE 120 JA 1/16W	R6149	401 105 1105	MT-GLAZE 12K JA 1/16W
R523	401 113 6406	MT-GLAZE 5.1K JA 1/16W	R6151	401 105 1105	MT-GLAZE 12K JA 1/16W
R5231	401 105 0405	MT-GLAZE 100 JA 1/16W	R6153	401 105 0405	MT-GLAZE 100 JA 1/16W
R5232	401 105 0603	MT-GLAZE 10K JA 1/16W	R6156	401 105 7909	MT-GLAZE 0.000 ZA 1/16W
R5233	401 105 0405	MT-GLAZE 100 JA 1/16W	R6157	401 105 7909	MT-GLAZE 0.000 ZA 1/16W
R5234	401 105 0603	MT-GLAZE 10K JA 1/16W	R6211	401 105 0504	MT-GLAZE 1K JA 1/16W
R5235	401 105 0405	MT-GLAZE 100 JA 1/16W	R6216	401 203 9805	MT-GLAZE 2.7K FA 1/16W
R5236	401 105 0603	MT-GLAZE 10K JA 1/16W	R6217	401 203 9805	MT-GLAZE 2.7K FA 1/16W
R524	401 105 7404	MT-GLAZE 8.2K JA 1/16W	R6218	401 105 0405	MT-GLAZE 100 JA 1/16W
R5241	401 105 7909	MT-GLAZE 0.000 ZA 1/16W	R6221	401 105 0504	MT-GLAZE 1K JA 1/16W
R5243	401 105 7909	MT-GLAZE 0.000 ZA 1/16W	R6226	401 203 9805	MT-GLAZE 2.7K FA 1/16W
R5245	401 105 7909	MT-GLAZE 0.000 ZA 1/16W	R6227	401 105 4601	MT-GLAZE 3.9K JA 1/16W
R5248	401 105 7909	MT-GLAZE 0.000 ZA 1/16W	R6228	401 105 0405	MT-GLAZE 100 JA 1/16W
R5251	401 105 0504	MT-GLAZE 1K JA 1/16W	R6231	401 105 7909	MT-GLAZE 0.000 ZA 1/16W
R5252	401 105 0504	MT-GLAZE 1K JA 1/16W	R6232	401 105 7909	MT-GLAZE 0.000 ZA 1/16W
R5253	401 105 0504	MT-GLAZE 1K JA 1/16W	R6237	401 105 0405	MT-GLAZE 100 JA 1/16W
R5254	401 105 0504	MT-GLAZE 1K JA 1/16W	R6241	401 105 8005	MT-GLAZE 1M JA 1/16W
R5255	401 105 0504	MT-GLAZE 1K JA 1/16W	R6242	401 105 4601	MT-GLAZE 3.9K JA 1/16W
R5256	401 105 0504	MT-GLAZE 1K JA 1/16W	R6243	401 105 7909	MT-GLAZE 0.000 ZA 1/16W
R5257	401 105 7909	MT-GLAZE 0.000 ZA 1/16W	R6244	401 105 7909	MT-GLAZE 0.000 ZA 1/16W
R5258	401 105 7909	MT-GLAZE 0.000 ZA 1/16W	R6251	401 105 7909	MT-GLAZE 0.000 ZA 1/16W
R5259	401 105 7909	MT-GLAZE 0.000 ZA 1/16W	R6252	401 105 7909	MT-GLAZE 0.000 ZA 1/16W
R5261	401 105 0405	MT-GLAZE 100 JA 1/16W	R6253	401 105 7909	MT-GLAZE 0.000 ZA 1/16W
R5262	401 105 7909	MT-GLAZE 0.000 ZA 1/16W	R6254	401 105 7909	MT-GLAZE 0.000 ZA 1/16W
R5271	401 105 1402	MT-GLAZE 150 JA 1/16W	R6271	401 105 7909	MT-GLAZE 0.000 ZA 1/16W
R5274	401 105 3901	MT-GLAZE 33 JA 1/16W	R6272	401 105 7909	MT-GLAZE 0.000 ZA 1/16W
R5276	401 105 0504	MT-GLAZE 1K JA 1/16W	R6273	401 105 5103	MT-GLAZE 47 JA 1/16W

Electrical Parts List

Key No.	Part No.	Description	Key No.	Part No.	Description
R6274	401 105 5103	MT-GLAZE 47 JA 1/16W	R823	401 105 0603	MT-GLAZE 10K JA 1/16W
R6281	401 105 7909	MT-GLAZE 0.000 ZA 1/16W	R826	401 105 0603	MT-GLAZE 10K JA 1/16W
R6283	401 105 7909	MT-GLAZE 0.000 ZA 1/16W	R827	401 105 0603	MT-GLAZE 10K JA 1/16W
△ R6601	402 083 5109	FUSIBLE RES 5.6 JH 1/4W	R828	401 105 0405	MT-GLAZE 100 JA 1/16W
△ R6606	402 080 7007	FUSIBLE RES 1.8 JH 1/4W	R831	401 105 0405	MT-GLAZE 100 JA 1/16W
△ R6607	402 080 7007	FUSIBLE RES 1.8 JH 1/4W	R832	401 105 0405	MT-GLAZE 100 JA 1/16W
△ R6616	645 030 1056	PROTECTOR, IC 3.8A 72V	R834	401 105 0603	MT-GLAZE 10K JA 1/16W
R6622	401 198 7701	MT-GLAZE 33 JA 1W	R836	401 105 0603	MT-GLAZE 10K JA 1/16W
R6623	401 198 7701	MT-GLAZE 33 JA 1W	R841	401 105 5301	MT-GLAZE 4.7K JA 1/16W
R6624	401 198 7701	MT-GLAZE 33 JA 1W	R842	401 105 7909	MT-GLAZE 0.000 ZA 1/16W
R6652	401 235 6209	MT-GLAZE 2.7 JA 1W	R846	401 105 7909	MT-GLAZE 0.000 ZA 1/16W
R6661	401 105 0405	MT-GLAZE 100 JA 1/16W	R847	401 105 0603	MT-GLAZE 10K JA 1/16W
R6671	401 105 0405	MT-GLAZE 100 JA 1/16W	R848	401 105 0603	MT-GLAZE 10K JA 1/16W
R6672	401 235 6209	MT-GLAZE 2.7 JA 1W	R851	401 105 7909	MT-GLAZE 0.000 ZA 1/16W
R8001	401 105 0603	MT-GLAZE 10K JA 1/16W	R856	401 105 1006	MT-GLAZE 1.2K JA 1/16W
R8002	401 105 0603	MT-GLAZE 10K JA 1/16W	R857	401 105 0603	MT-GLAZE 10K JA 1/16W
R8006	401 105 0603	MT-GLAZE 10K JA 1/16W	R858	401 105 0603	MT-GLAZE 10K JA 1/16W
R8007	401 105 0603	MT-GLAZE 10K JA 1/16W	R861	401 105 0405	MT-GLAZE 100 JA 1/16W
R8008	401 105 0603	MT-GLAZE 10K JA 1/16W	R862	401 105 0405	MT-GLAZE 100 JA 1/16W
R801	401 105 0405	MT-GLAZE 100 JA 1/16W	R866	401 105 5301	MT-GLAZE 4.7K JA 1/16W
R8011	401 105 0603	MT-GLAZE 10K JA 1/16W	R867	401 105 7909	MT-GLAZE 0.000 ZA 1/16W
R8012	401 105 7909	MT-GLAZE 0.000 ZA 1/16W	R868	401 105 0603	MT-GLAZE 10K JA 1/16W
R8013	401 105 0603	MT-GLAZE 10K JA 1/16W	R871	401 105 0603	MT-GLAZE 10K JA 1/16W
R8018	401 105 7909	MT-GLAZE 0.000 ZA 1/16W	R872	401 105 5301	MT-GLAZE 4.7K JA 1/16W
R802	401 105 0405	MT-GLAZE 100 JA 1/16W	R873	401 105 5301	MT-GLAZE 4.7K JA 1/16W
R8021	401 105 7909	MT-GLAZE 0.000 ZA 1/16W	R874	401 105 5301	MT-GLAZE 4.7K JA 1/16W
R8022	401 105 0306	MT-GLAZE 10 JA 1/16W	R876	401 105 5301	MT-GLAZE 4.7K JA 1/16W
R8023	401 105 0306	MT-GLAZE 10 JA 1/16W	R877	401 105 0405	MT-GLAZE 100 JA 1/16W
R8024	401 105 0306	MT-GLAZE 10 JA 1/16W	R878	401 105 5301	MT-GLAZE 4.7K JA 1/16W
R8028	401 105 5202	MT-GLAZE 470 JA 1/16W	R879	401 105 5301	MT-GLAZE 4.7K JA 1/16W
R8029	401 105 3109	MT-GLAZE 27 JA 1/16W	R881	401 105 0603	MT-GLAZE 10K JA 1/16W
R803	401 105 0405	MT-GLAZE 100 JA 1/16W	R882	401 105 0405	MT-GLAZE 100 JA 1/16W
R804	401 105 0405	MT-GLAZE 100 JA 1/16W	R883	401 105 0405	MT-GLAZE 100 JA 1/16W
R806	401 105 0603	MT-GLAZE 10K JA 1/16W	R884	401 105 0405	MT-GLAZE 100 JA 1/16W
R807	401 105 2003	MT-GLAZE 1.8K JA 1/16W	R886	401 105 0405	MT-GLAZE 100 JA 1/16W
R808	401 105 4106	MT-GLAZE 3.3K JA 1/16W	R887	401 105 0405	MT-GLAZE 100 JA 1/16W
R8081	401 105 7909	MT-GLAZE 0.000 ZA 1/16W	R888	401 105 0603	MT-GLAZE 10K JA 1/16W
R8082	401 105 7909	MT-GLAZE 0.000 ZA 1/16W	R889	401 105 0405	MT-GLAZE 100 JA 1/16W
R8083	401 105 7909	MT-GLAZE 0.000 ZA 1/16W	R891	401 105 5301	MT-GLAZE 4.7K JA 1/16W
R8085	401 105 0405	MT-GLAZE 100 JA 1/16W	R892	401 105 5301	MT-GLAZE 4.7K JA 1/16W
R8086	401 105 0405	MT-GLAZE 100 JA 1/16W	R893	401 105 0405	MT-GLAZE 100 JA 1/16W
R8087	401 105 0405	MT-GLAZE 100 JA 1/16W	R894	401 105 0405	MT-GLAZE 100 JA 1/16W
R8088	401 105 0405	MT-GLAZE 100 JA 1/16W	R896	401 105 0405	MT-GLAZE 100 JA 1/16W
R8089	401 105 0405	MT-GLAZE 100 JA 1/16W	R9801	401 105 5400	MT-GLAZE 47K JA 1/16W
R8101	401 105 5301	MT-GLAZE 4.7K JA 1/16W	R9803	401 105 1501	MT-GLAZE 1.5K JA 1/16W
R8102	401 105 5301	MT-GLAZE 4.7K JA 1/16W	R9806	401 105 7909	MT-GLAZE 0.000 ZA 1/16W
R8108	401 105 0603	MT-GLAZE 10K JA 1/16W	R9807	401 105 7909	MT-GLAZE 0.000 ZA 1/16W
R8109	401 105 0603	MT-GLAZE 10K JA 1/16W	R9811	401 105 8005	MT-GLAZE 1M JA 1/16W
R811	401 105 4106	MT-GLAZE 3.3K JA 1/16W	R9812	401 105 0405	MT-GLAZE 100 JA 1/16W
R8111	401 105 0405	MT-GLAZE 100 JA 1/16W	R9813	401 105 0405	MT-GLAZE 100 JA 1/16W
R8112	401 105 0405	MT-GLAZE 100 JA 1/16W	R9814	401 105 0405	MT-GLAZE 100 JA 1/16W
R812	401 105 0603	MT-GLAZE 10K JA 1/16W	R9816	401 105 0405	MT-GLAZE 100 JA 1/16W
R8121	401 105 5301	MT-GLAZE 4.7K JA 1/16W	R9822	401 105 7909	MT-GLAZE 0.000 ZA 1/16W
R8122	401 105 5301	MT-GLAZE 4.7K JA 1/16W			
R8126	401 105 0603	MT-GLAZE 10K JA 1/16W	COIL		
R8127	401 105 0405	MT-GLAZE 100 JA 1/16W	L1101	645 004 1990	INDUCTOR, 47U K
R8128	401 105 0603	MT-GLAZE 10K JA 1/16W	L1102	645 001 4512	INDUCTOR, 10U K
R8129	401 105 0603	MT-GLAZE 10K JA 1/16W	L1103	645 024 8665	INDUCTOR, 4.7U M
R8131	401 105 0405	MT-GLAZE 100 JA 1/16W	L1161	645 021 1799	INDUCTOR, 82U J
R8132	401 105 0405	MT-GLAZE 100 JA 1/16W	L1501	645 020 1776	INDUCTOR, 3.3U M
R8141	401 105 0603	MT-GLAZE 10K JA 1/16W	L1502	645 020 1776	INDUCTOR, 3.3U M
R8143	401 105 0603	MT-GLAZE 10K JA 1/16W	L151	645 026 1008	INDUCTOR, 3.3U M
R817	401 105 0603	MT-GLAZE 10K JA 1/16W	L1531	645 020 1776	INDUCTOR, 3.3U M
R818	401 105 0405	MT-GLAZE 100 JA 1/16W	L1532	645 020 1776	INDUCTOR, 3.3U M
R819	401 105 0603	MT-GLAZE 10K JA 1/16W	L1561	645 020 1776	INDUCTOR, 3.3U M
R821	401 105 0405	MT-GLAZE 100 JA 1/16W	L1562	645 020 1776	INDUCTOR, 3.3U M
R822	401 105 0405	MT-GLAZE 100 JA 1/16W	L1581	645 026 1008	INDUCTOR, 3.3U M
			L1831	645 026 1008	INDUCTOR, 3.3U M

Electrical Parts List

Key No.	Part No.	Description	Key No.	Part No.	Description
R1004	401 113 4402	MT-GLAZE 75 JA 1/16W	R5011	401 105 0702	MT-GLAZE 100K JA 1/16W
R1005	401 113 4402	MT-GLAZE 75 JA 1/16W	R5012	401 105 0702	MT-GLAZE 100K JA 1/16W
R1006	401 113 4402	MT-GLAZE 75 JA 1/16W	R5013	401 105 0702	MT-GLAZE 100K JA 1/16W
R1007	401 113 4402	MT-GLAZE 75 JA 1/16W	R5014	401 105 0702	MT-GLAZE 100K JA 1/16W
R1008	401 113 4402	MT-GLAZE 75 JA 1/16W	R5021	401 105 6605	MT-GLAZE 6.8K JA 1/16W
R1009	401 113 4402	MT-GLAZE 75 JA 1/16W	R5022	401 105 6605	MT-GLAZE 6.8K JA 1/16W
R1010	401 113 4402	MT-GLAZE 75 JA 1/16W	R5031	401 105 7909	MT-GLAZE 0.000 ZA 1/16W
R1011	401 113 4402	MT-GLAZE 75 JA 1/16W	R5032	401 105 2805	MT-GLAZE 2.2K JA 1/16W
R1012	401 113 4402	MT-GLAZE 75 JA 1/16W	R5034	401 105 1501	MT-GLAZE 1.5K JA 1/16W
R1013	401 105 7909	MT-GLAZE 0.000 ZA 1/16W	R5041	401 105 7909	MT-GLAZE 0.000 ZA 1/16W
R1014	401 105 7909	MT-GLAZE 0.000 ZA 1/16W	R5042	401 105 2805	MT-GLAZE 2.2K JA 1/16W
R1015	401 105 7909	MT-GLAZE 0.000 ZA 1/16W	R5044	401 105 1501	MT-GLAZE 1.5K JA 1/16W
R1016	401 105 0405	MT-GLAZE 100 JA 1/16W	R5046	401 105 2003	MT-GLAZE 1.8K JA 1/16W
R1017	401 105 0405	MT-GLAZE 100 JA 1/16W	R5051	401 105 7909	MT-GLAZE 0.000 ZA 1/16W
R1018	401 105 0405	MT-GLAZE 100 JA 1/16W	R5052	401 105 2805	MT-GLAZE 2.2K JA 1/16W
R1021	401 105 0405	MT-GLAZE 100 JA 1/16W	R5054	401 105 2805	MT-GLAZE 2.2K JA 1/16W
R1023	401 105 7909	MT-GLAZE 0.000 ZA 1/16W	R5061	401 105 7909	MT-GLAZE 0.000 ZA 1/16W
R1024	401 105 0405	MT-GLAZE 100 JA 1/16W	R5062	401 105 2805	MT-GLAZE 2.2K JA 1/16W
R1025	401 105 0603	MT-GLAZE 10K JA 1/16W	R5064	401 105 2805	MT-GLAZE 2.2K JA 1/16W
R1026	401 105 7909	MT-GLAZE 0.000 ZA 1/16W	R5071	401 105 2904	MT-GLAZE 22K JA 1/16W
R1031	401 105 7909	MT-GLAZE 0.000 ZA 1/16W	R5072	401 105 0603	MT-GLAZE 10K JA 1/16W
R1032	401 105 7909	MT-GLAZE 0.000 ZA 1/16W	R5073	401 105 5301	MT-GLAZE 4.7K JA 1/16W
R1036	401 105 7909	MT-GLAZE 0.000 ZA 1/16W	R5074	401 105 0603	MT-GLAZE 10K JA 1/16W
R1041	401 105 5509	MT-GLAZE 470K JA 1/16W	R5076	401 105 0603	MT-GLAZE 10K JA 1/16W
R1042	401 105 5509	MT-GLAZE 470K JA 1/16W	R5077	401 105 0603	MT-GLAZE 10K JA 1/16W
R1043	401 105 0405	MT-GLAZE 100 JA 1/16W	R5078	401 105 7909	MT-GLAZE 0.000 ZA 1/16W
R1044	401 105 0405	MT-GLAZE 100 JA 1/16W	R5081	401 105 0504	MT-GLAZE 1K JA 1/16W
R1061	401 105 7909	MT-GLAZE 0.000 ZA 1/16W	R5111	401 105 5400	MT-GLAZE 47K JA 1/16W
R1065	401 105 7909	MT-GLAZE 0.000 ZA 1/16W	R5112	401 105 4700	MT-GLAZE 39K JA 1/16W
R1066	401 105 7909	MT-GLAZE 0.000 ZA 1/16W	R5113	401 105 1402	MT-GLAZE 150 JA 1/16W
R2001	401 105 7909	MT-GLAZE 0.000 ZA 1/16W	R5114	401 105 1501	MT-GLAZE 1.5K JA 1/16W
R2002	401 113 4402	MT-GLAZE 75 JA 1/16W	R5116	401 105 1501	MT-GLAZE 1.5K JA 1/16W
R2003	401 113 4402	MT-GLAZE 75 JA 1/16W	R5117	401 105 5103	MT-GLAZE 47 JA 1/16W
R2004	401 113 4402	MT-GLAZE 75 JA 1/16W	R5121	401 105 5400	MT-GLAZE 47K JA 1/16W
R2005	401 113 4402	MT-GLAZE 75 JA 1/16W	R5122	401 105 4700	MT-GLAZE 39K JA 1/16W
R2006	401 105 7909	MT-GLAZE 0.000 ZA 1/16W	R5123	401 105 1402	MT-GLAZE 150 JA 1/16W
R2007	401 113 4402	MT-GLAZE 75 JA 1/16W	R5124	401 105 0504	MT-GLAZE 1K JA 1/16W
R2008	401 113 4402	MT-GLAZE 75 JA 1/16W	R5126	401 105 5103	MT-GLAZE 47 JA 1/16W
R2009	401 113 4402	MT-GLAZE 75 JA 1/16W	R5131	401 105 5400	MT-GLAZE 47K JA 1/16W
R2010	401 113 4402	MT-GLAZE 75 JA 1/16W	R5132	401 105 4700	MT-GLAZE 39K JA 1/16W
R2011	401 105 7909	MT-GLAZE 0.000 ZA 1/16W	R5133	401 105 1402	MT-GLAZE 150 JA 1/16W
R2012	401 113 4402	MT-GLAZE 75 JA 1/16W	R5134	401 105 0504	MT-GLAZE 1K JA 1/16W
R2013	401 113 4402	MT-GLAZE 75 JA 1/16W	R5136	401 105 5103	MT-GLAZE 47 JA 1/16W
R2014	401 113 4402	MT-GLAZE 75 JA 1/16W	R5141	401 105 5400	MT-GLAZE 47K JA 1/16W
R2015	401 113 4402	MT-GLAZE 75 JA 1/16W	R5142	401 105 4700	MT-GLAZE 39K JA 1/16W
R2021	401 105 7909	MT-GLAZE 0.000 ZA 1/16W	R5143	401 105 1402	MT-GLAZE 150 JA 1/16W
R2022	401 113 4402	MT-GLAZE 75 JA 1/16W	R5144	401 105 0504	MT-GLAZE 1K JA 1/16W
R2023	401 113 4402	MT-GLAZE 75 JA 1/16W	R5146	401 105 5103	MT-GLAZE 47 JA 1/16W
R2024	401 113 4402	MT-GLAZE 75 JA 1/16W	R5151	401 105 5400	MT-GLAZE 47K JA 1/16W
R2025	401 113 4402	MT-GLAZE 75 JA 1/16W	R5152	401 105 4700	MT-GLAZE 39K JA 1/16W
R2026	401 105 7909	MT-GLAZE 0.000 ZA 1/16W	R5153	401 105 1402	MT-GLAZE 150 JA 1/16W
R2027	401 113 4402	MT-GLAZE 75 JA 1/16W	R5154	401 105 0504	MT-GLAZE 1K JA 1/16W
R2028	401 113 4402	MT-GLAZE 75 JA 1/16W	R5156	401 105 5103	MT-GLAZE 47 JA 1/16W
R2029	401 113 4402	MT-GLAZE 75 JA 1/16W	R5161	401 105 0405	MT-GLAZE 100 JA 1/16W
R2030	401 113 4402	MT-GLAZE 75 JA 1/16W	R5162	401 105 0405	MT-GLAZE 100 JA 1/16W
R2031	401 105 0603	MT-GLAZE 10K JA 1/16W	R5163	401 105 0603	MT-GLAZE 10K JA 1/16W
R2032	401 105 0405	MT-GLAZE 100 JA 1/16W	R5164	401 105 0603	MT-GLAZE 10K JA 1/16W
R2041	401 105 5509	MT-GLAZE 470K JA 1/16W			
R2042	401 105 5509	MT-GLAZE 470K JA 1/16W	COIL		
R2043	401 105 0405	MT-GLAZE 100 JA 1/16W	L1021	645 044 8843	FILTER,EMI 200MHZ
R2044	401 105 0405	MT-GLAZE 100 JA 1/16W	L1022	645 044 8843	FILTER,EMI 200MHZ
R2051	401 105 0702	MT-GLAZE 100K JA 1/16W	L1041	645 045 6183	FILTER,EMI 25MHZ
R2052	401 105 0702	MT-GLAZE 100K JA 1/16W	L1042	645 045 6183	FILTER,EMI 25MHZ
R2053	401 105 0405	MT-GLAZE 100 JA 1/16W	L1051	645 045 6183	FILTER,EMI 25MHZ
R2054	401 105 0405	MT-GLAZE 100 JA 1/16W	L1052	645 045 6183	FILTER,EMI 25MHZ
R2811	401 105 2706	MT-GLAZE 220 JA 1/16W	L1053	645 045 6183	FILTER,EMI 25MHZ
R2812	401 105 0405	MT-GLAZE 100 JA 1/16W	L1054	645 045 6183	FILTER,EMI 25MHZ
			L1055	645 045 6183	FILTER,EMI 25MHZ

Electrical Parts List

Key No.	Part No.	Description	Key No.	Part No.	Description
R5556	401 105 5301	MT-GLAZE 4.7K JA 1/16W	R68D	401 230 2503	MT-GLAZE 1K FA 1/16W
R63B	401 275 2902	MT-GLAZE 68K JA 1W	R68E	401 105 7909	MT-GLAZE 0.000 ZA 1/16W
R63C	401 275 2902	MT-GLAZE 68K JA 1W	R68F	401 105 2102	MT-GLAZE 18K JA 1/16W
R63D	401 275 2902	MT-GLAZE 68K JA 1W	R68G	401 105 0504	MT-GLAZE 1K JA 1/16W
R63E	401 275 2902	MT-GLAZE 68K JA 1W	R68H	401 105 2904	MT-GLAZE 22K JA 1/16W
△ R633	402 079 7803	FUSIBLE RES 22 JH 1/4W	R68I	401 105 0504	MT-GLAZE 1K JA 1/16W
R634	401 238 4509	MT-GLAZE 47 JA 1/3W	R68K	401 105 0603	MT-GLAZE 10K JA 1/16W
R635	401 105 0504	MT-GLAZE 1K JA 1/16W	R681	401 276 4707	MT-GLAZE 0.000 ZA 1/3W
R636	401 257 7406	MT-GLAZE 120 JA 1/3W	R682	401 238 4509	MT-GLAZE 47 JA 1/3W
R637	401 105 0504	MT-GLAZE 1K JA 1/16W	R683	401 162 6303	MT-GLAZE 330 JA 1W
R638	401 105 0603	MT-GLAZE 10K JA 1/16W	R684	401 105 5301	MT-GLAZE 4.7K JA 1/16W
R640	401 111 6309	MT-GLAZE 470 JA 1/2W	R685	401 105 8203	MT-GLAZE 68K JA 1/16W
R641	401 105 1600	MT-GLAZE 15K JA 1/16W	R686	401 105 4205	MT-GLAZE 33K JA 1/16W
R642	401 105 3307	MT-GLAZE 2.7K JA 1/16W	R687	401 105 4304	MT-GLAZE 330K JA 1/16W
R65A	401 276 4707	MT-GLAZE 0.000 ZA 1/3W	R688	401 105 2201	MT-GLAZE 180K JA 1/16W
R65B	401 238 4509	MT-GLAZE 47 JA 1/3W	R689	401 105 0603	MT-GLAZE 10K JA 1/16W
R65C	401 162 6303	MT-GLAZE 330 JA 1W	R69A	401 105 0603	MT-GLAZE 10K JA 1/16W
R65E	401 105 8203	MT-GLAZE 68K JA 1/16W	R69B	401 105 0603	MT-GLAZE 10K JA 1/16W
R65G	401 105 4205	MT-GLAZE 33K JA 1/16W	R69C	401 105 0603	MT-GLAZE 10K JA 1/16W
R65H	401 105 0603	MT-GLAZE 10K JA 1/16W	R69D	401 105 0603	MT-GLAZE 10K JA 1/16W
R65I	401 105 8203	MT-GLAZE 68K JA 1/16W	R69E	401 105 0603	MT-GLAZE 10K JA 1/16W
R65J	401 105 2805	MT-GLAZE 2.2K JA 1/16W	R69F	401 105 0603	MT-GLAZE 10K JA 1/16W
R65K	401 105 3307	MT-GLAZE 2.7K JA 1/16W	R69G	401 105 6001	MT-GLAZE 5.6K JA 1/16W
R65U	401 105 0603	MT-GLAZE 10K JA 1/16W	R69H	401 105 0504	MT-GLAZE 1K JA 1/16W
R65V	401 105 0603	MT-GLAZE 10K JA 1/16W	R69Z	401 105 7909	MT-GLAZE 0.000 ZA 1/16W
R65W	401 105 0603	MT-GLAZE 10K JA 1/16W	R691	401 105 2904	MT-GLAZE 22K JA 1/16W
R65X	401 105 5301	MT-GLAZE 4.7K JA 1/16W	R692	401 105 0702	MT-GLAZE 100K JA 1/16W
R65Y	401 105 2201	MT-GLAZE 180K JA 1/16W	R695	401 225 4604	MT-GLAZE 1.2 JA 1W
R65Z	401 105 4304	MT-GLAZE 330K JA 1/16W			
R651	401 105 0504	MT-GLAZE 1K JA 1/16W	TRANSFORMER		
R652	401 105 0306	MT-GLAZE 10 JA 1/16W	△ T651	645 030 7126	TRANS, POWER, PULSE
R653	401 186 0202	MT-GLAZE 10K DA 1/16W	COIL		
R654	401 185 9305	MT-GLAZE 560 DA 1/16W	L65A	645 007 7975	INDUCTOR, 100U K
R655	401 185 9503	MT-GLAZE 6.8K DA 1/16W	L661	645 007 8125	INDUCTOR, 47U K
R656	401 105 3208	MT-GLAZE 270 JA 1/16W	L671	645 007 7975	INDUCTOR, 100U K
R657	401 105 0504	MT-GLAZE 1K JA 1/16W	L681	645 007 7975	INDUCTOR, 100U K
R658	401 105 2805	MT-GLAZE 2.2K JA 1/16W	L691	645 007 8118	INDUCTOR, 390U K
R659	401 105 0603	MT-GLAZE 10K JA 1/16W	L692	645 007 8118	INDUCTOR, 390U K
R66A	401 105 0603	MT-GLAZE 10K JA 1/16W	L693	645 007 7975	INDUCTOR, 100U K
R66B	401 105 0603	MT-GLAZE 10K JA 1/16W	L694	645 001 4529	INDUCTOR, 100U K
R660	401 105 2102	MT-GLAZE 18K JA 1/16W	L695	645 020 1776	INDUCTOR, 3.3U M
R661	401 035 5204	MT-GLAZE 10K JA 1/8W	DIODE		
R662	401 230 8000	MT-GLAZE 1K JA 1/3W	D5501	407 206 6308	ZD UDZS-TE-175.1B
R663	401 105 6001	MT-GLAZE 5.6K JA 1/16W		407 179 1706	ZENER DIODE UDZ5.1B-TE-17
R664	401 105 0603	MT-GLAZE 10K JA 1/16W	D5551	407 222 5903	ZD UDZS3.6B-TE-17
R67A	401 217 3806	MT-GLAZE 27K FA 1/16W		407 179 6305	ZENER DIODE UDZ-TE-173.6B
R67B	401 105 7909	MT-GLAZE 0.000 ZA 1/16W	D631	407 190 4106	DIODE SFPL-52V
R67C	401 105 5103	MT-GLAZE 47 JA 1/16W	D632	407 100 6909	DIODE AG01
R67D	401 230 2503	MT-GLAZE 1K FA 1/16W	D633	407 187 8209	ZENER DIODE UDZ12B-TE-17
R67E	401 105 7909	MT-GLAZE 0.000 ZA 1/16W	D634	407 149 0807	DIODE 1SS355-TE-17
R67F	401 105 2102	MT-GLAZE 18K JA 1/16W	D65A	407 213 2003	DIODE SPB-G34SVR
R67G	401 105 0504	MT-GLAZE 1K JA 1/16W	D65B	407 149 0807	DIODE 1SS355-TE-17
R67H	401 105 2904	MT-GLAZE 22K JA 1/16W	D651	407 222 9604	DIODE FMB-2306
R67I	401 105 0504	MT-GLAZE 1K JA 1/16W	D652	407 222 9703	DIODE FMJ-23L
R67K	401 105 0603	MT-GLAZE 10K JA 1/16W	D653	407 190 4106	DIODE SFPL-52V
R671	401 276 4707	MT-GLAZE 0.000 ZA 1/3W	D654	407 209 4509	ZD UDZS-TE-176.8B
R672	401 238 4509	MT-GLAZE 47 JA 1/3W		407 187 7806	ZENER DIODE UDZ6.8B-TE-17
R673	401 162 6303	MT-GLAZE 330 JA 1W	D661	407 149 0807	DIODE 1SS355-TE-17
R674	401 105 5301	MT-GLAZE 4.7K JA 1/16W	D671	407 213 2003	DIODE SPB-G34SVR
R675	401 105 8203	MT-GLAZE 68K JA 1/16W	D672	407 149 0807	DIODE 1SS355-TE-17
R676	401 105 4205	MT-GLAZE 33K JA 1/16W	D681	407 213 2003	DIODE SPB-G34SVR
R677	401 105 4304	MT-GLAZE 330K JA 1/16W	D682	407 149 0807	DIODE 1SS355-TE-17
R678	401 105 2201	MT-GLAZE 180K JA 1/16W	D69A	407 004 0706	DIODE DCB015-TB
R679	401 105 0603	MT-GLAZE 10K JA 1/16W	D69B	407 004 0706	DIODE DCB015-TB
R68A	401 217 3806	MT-GLAZE 27K FA 1/16W	D69C	407 004 0706	DIODE DCB015-TB
R68B	401 105 7909	MT-GLAZE 0.000 ZA 1/16W			
R68C	401 105 5103	MT-GLAZE 47 JA 1/16W	MISCELLANEOUS		

Electrical Parts List

Key No.	Part No.	Description	Key No.	Part No.	Description
△ PC641	408 039 3502	PC TLP721F(D4-GB)	VARIABLE RESISTOR		
△ PC642	408 039 3502	PC TLP721F(D4-GB)	VR611	645 002 3460	VR, SEMI, 1K S
△ PC643	408 039 3502	PC TLP721F(D4-GB)	TRANSFORMER		
P.F. BOARD			△ TSW611	645 027 4145	SWITCH, THERMAL
				645 031 0256	THERMOSTATS
610 294 1692 ASSY,PWB,P.F. MS6A 1AA0B10C3520B			COIL		
			L611	645 048 4742	INDUCTOR, 850U
TRANSISTOR			DIODE		
			Q611	405 140 3704	TR 2SK2698
Q621	405 014 4509	TR 2SC2412K T146 R	D613	407 149 6304	DIODE SFPB-54V
Q622	405 134 5905	TR 2SA1037AK-T146-R	D614	407 191 3900	DIODE FML-G16S
INTEGRATED CIRCUIT			D616	407 149 0807	DIODE 1SS355-TE-17
			IC611	409 483 3803	IC FA5332M
CAPACITOR			D618	407 149 0807	DIODE 1SS355-TE-17
			C611	403 222 1303	CERAMIC 1000P K 1K
C612	403 222 1303	CERAMIC 1000P K 1K	MISCELLANEOUS		
C615	403 275 6003	MT-POLYEST 1.5U J 400V	FB611	610 229 3531	CORE
C617	404 085 9802	ELECT 180U M 450V	FB612	610 229 3531	CORE
C618	403 323 8706	MT-POLYEST 0.047U K 450V	FB613	610 229 3531	CORE
C62A	403 157 3304	CERAMIC 68P J 50V	PTH611	408 037 4600	THERMISTOR NTH11D8R0LA
C62B	403 157 6602	CERAMIC 470P K 50V	LINE FILTER BOARD		
C62C	403 281 5007	CERAMIC 0.033U K 25V	610 294 1708 ASSY,PWB,LINE FILTER MS6A 1AA0B10C3520C		
C62D	403 164 0204	CERAMIC 0.1U Z 25V	CAPACITOR		
C62E	403 164 0204	CERAMIC 0.1U Z 25V	△ C601	404 081 4702	MT-POLYEST 0.22U M 275V
C62F	403 370 9107	CERAMIC 0.068U K 50V	△ C602	404 081 4702	MT-POLYEST 0.22U M 275V
C62G	403 164 0204	CERAMIC 0.1U Z 25V	△ C603	404 081 4702	MT-POLYEST 0.22U M 275V
C62I	403 149 9208	CERAMIC 0.01U Z 50V	△ C604	404 081 4702	MT-POLYEST 0.22U M 275V
C62J	403 265 3302	CERAMIC 680P J 50V	RESISTOR		
C62K	403 343 4603	CERAMIC 0.022U K 50V	△ R601	401 008 8607	CARBON 220K JA 1/2W
RESISTOR			VARIABLE RESISTOR		
			R61A	401 237 0007	MT-GLAZE 47K JA 1W
R61B	401 237 0007	MT-GLAZE 47K JA 1W	COIL		
R61C	401 237 0007	MT-GLAZE 47K JA 1W	△ L601	645 025 7810	LINE FILTER
R61D	401 237 0007	MT-GLAZE 47K JA 1W	△ L602	645 025 7810	LINE FILTER
R61E	401 237 0007	MT-GLAZE 47K JA 1W	MISCELLANEOUS		
R61F	401 237 0007	MT-GLAZE 47K JA 1W	△ F601	423 022 2102	FUSE 250V 4A
R613	402 088 0307	RESISTER 0.15 KA 2W	F601A	645 000 5077	HOLDER, FUSE
R614	402 088 0307	RESISTER 0.15 KA 2W	F601B	645 000 5077	HOLDER, FUSE
R615	401 242 3901	MT-GLAZE 240K JA 1/2W	R/C BOARD		
R616	401 242 3901	MT-GLAZE 240K JA 1/2W	610 294 1715 ASSY,PWB,R/C MS6A 1AA0B10C3520D		
R617	401 259 9002	MT-GLAZE 150K FA 1/2W	CAPACITOR		
R618	401 259 9002	MT-GLAZE 150K FA 1/2W	C2801	403 304 2402	ELECT 100U M 10V
R619	401 259 9002	MT-GLAZE 150K FA 1/2W	C2802	403 283 6309	CERAMIC 1U Z 10V
R62A	401 105 1501	MT-GLAZE 1.5K JA 1/16W	C2803	403 157 6602	CERAMIC 470P K 50V
R62B	401 105 0603	MT-GLAZE 10K JA 1/16W	RESISTOR		
R62C	401 105 5509	MT-GLAZE 470K JA 1/16W	RC2801	645 034 5029	UNIT, REMOCON RECEIVER
R62D	401 105 2201	MT-GLAZE 180K JA 1/16W	R2801	401 105 2706	MT-GLAZE 220 JA 1/16W
R62E	401 113 5805	MT-GLAZE 1.1K JA 1/16W	R2802	401 105 2706	MT-GLAZE 220 JA 1/16W
R62F	401 218 4406	MT-GLAZE 1.2K FA 1/16W			
R62G	401 105 0405	MT-GLAZE 100 JA 1/16W			
R62H	401 105 4007	MT-GLAZE 330 JA 1/16W			
R62I	401 158 4108	MT-GLAZE 4.7 JA 1/16W			
R62J	401 105 2607	MT-GLAZE 22 JA 1/16W			
R62L	401 105 0702	MT-GLAZE 100K JA 1/16W			
R62P	401 105 2508	MT-GLAZE 20K JA 1/16W			
R62Q	401 105 2607	MT-GLAZE 22 JA 1/16W			
R62R	401 114 0908	MT-GLAZE 3.3M JA 1/16W			
R620	401 259 9002	MT-GLAZE 150K FA 1/2W			
R621	401 105 2805	MT-GLAZE 2.2K JA 1/16W			
R622	401 111 6309	MT-GLAZE 470 JA 1/2W			

Electrical Parts List

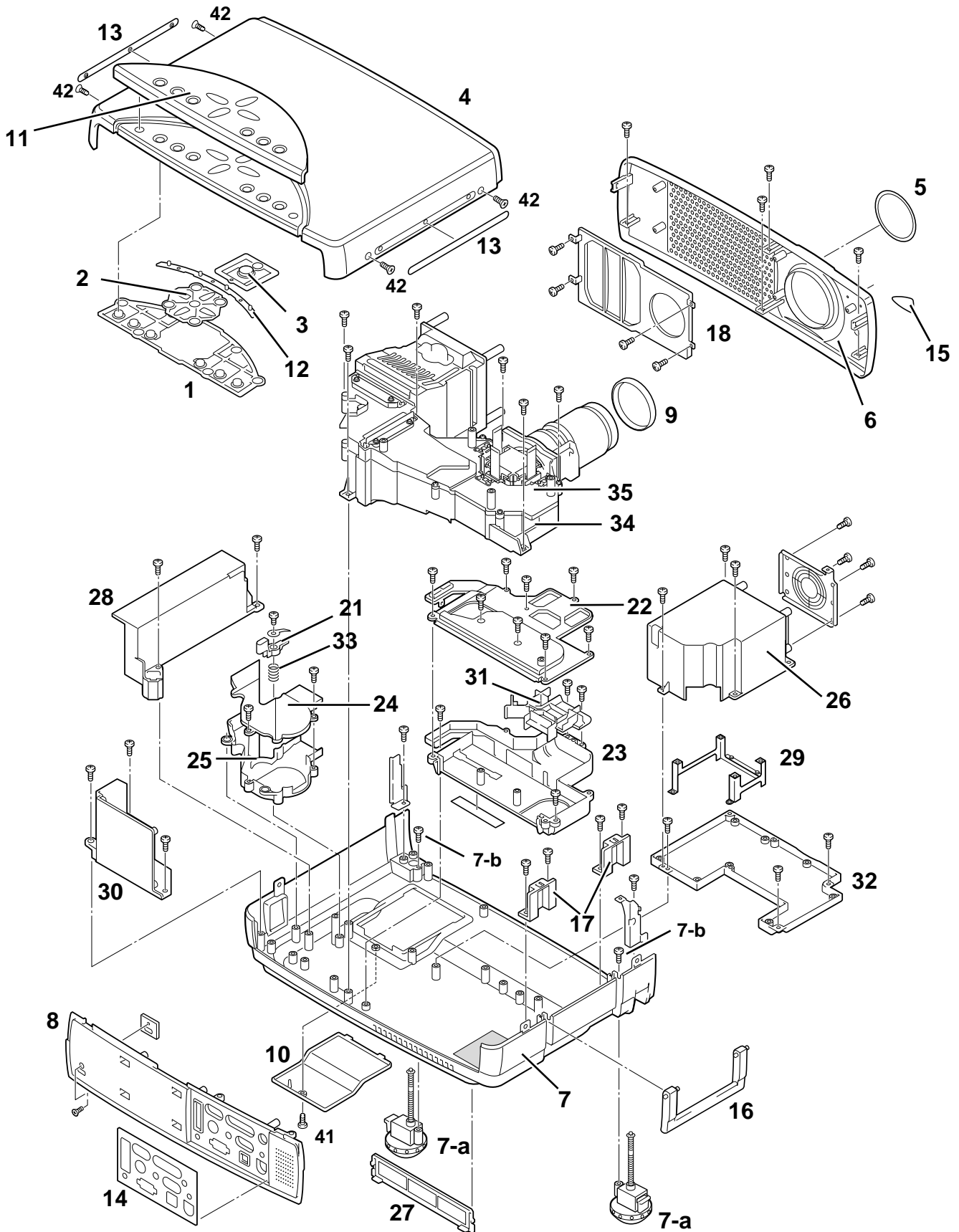
Key No.	Part No.	Description	Key No.	Part No.	Description
R2803	401 105 0405	MT-GLAZE 100 JA 1/16W			
BALLAST BOARD					
610 296 7975 ASSY,PWB,BALLAST MS6A 1AA0B10C36400					
DIODE					
DZ901	407 099 7208	ZENER DIODE MTZJ16A			
	407 099 7307	ZENER DIODE MTZJ16B			
DZ902	407 099 7208	ZENER DIODE MTZJ16A			
	407 099 7307	ZENER DIODE MTZJ16B			
MISCELLANEOUS					
△ A901	645 047 1346	UNIT,BALLAST			
ACCESSORIES					
	645 046 8551	ASSY,REMOCON CXHY			
	610 283 4918	RC-BATTERY LID-CXFK			
	610 292 7931	OWNER'S MANUAL-MS6E			
	610 293 1556	CARRY BAG-MS6A			
△ AC CORD	645 003 4022	CORD,POWER-3.0MK			
	645 030 6624	CABLE,INTERFACE VGA			
	645 039 7202	CABLE,MOUSE PS/2			

Mechanical Parts List

MS6-CP-300100, MS6-CP-310100

Note: Parts order must contain Chassis No., Part No., and Descriptions.

● CABINET PARTS

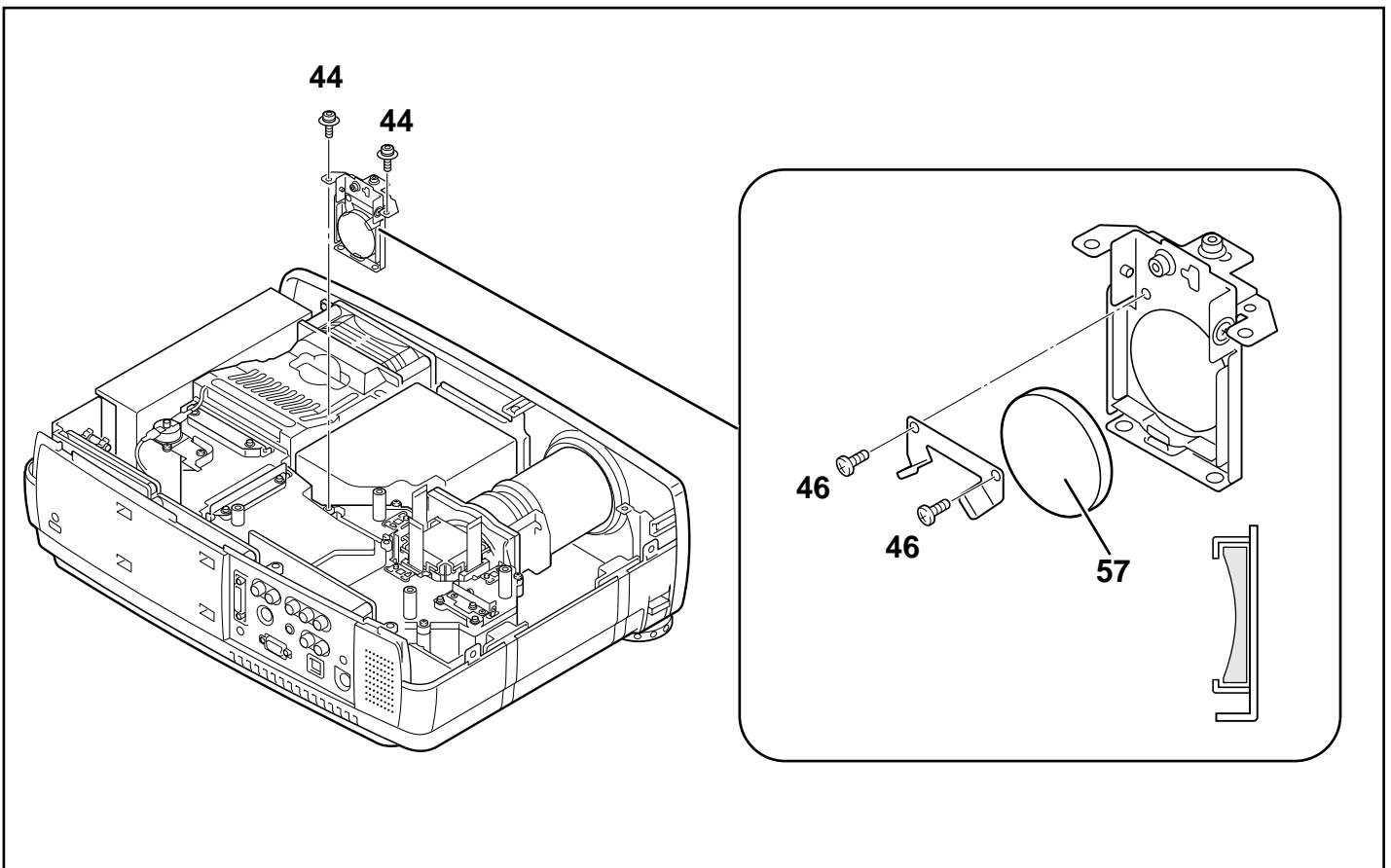
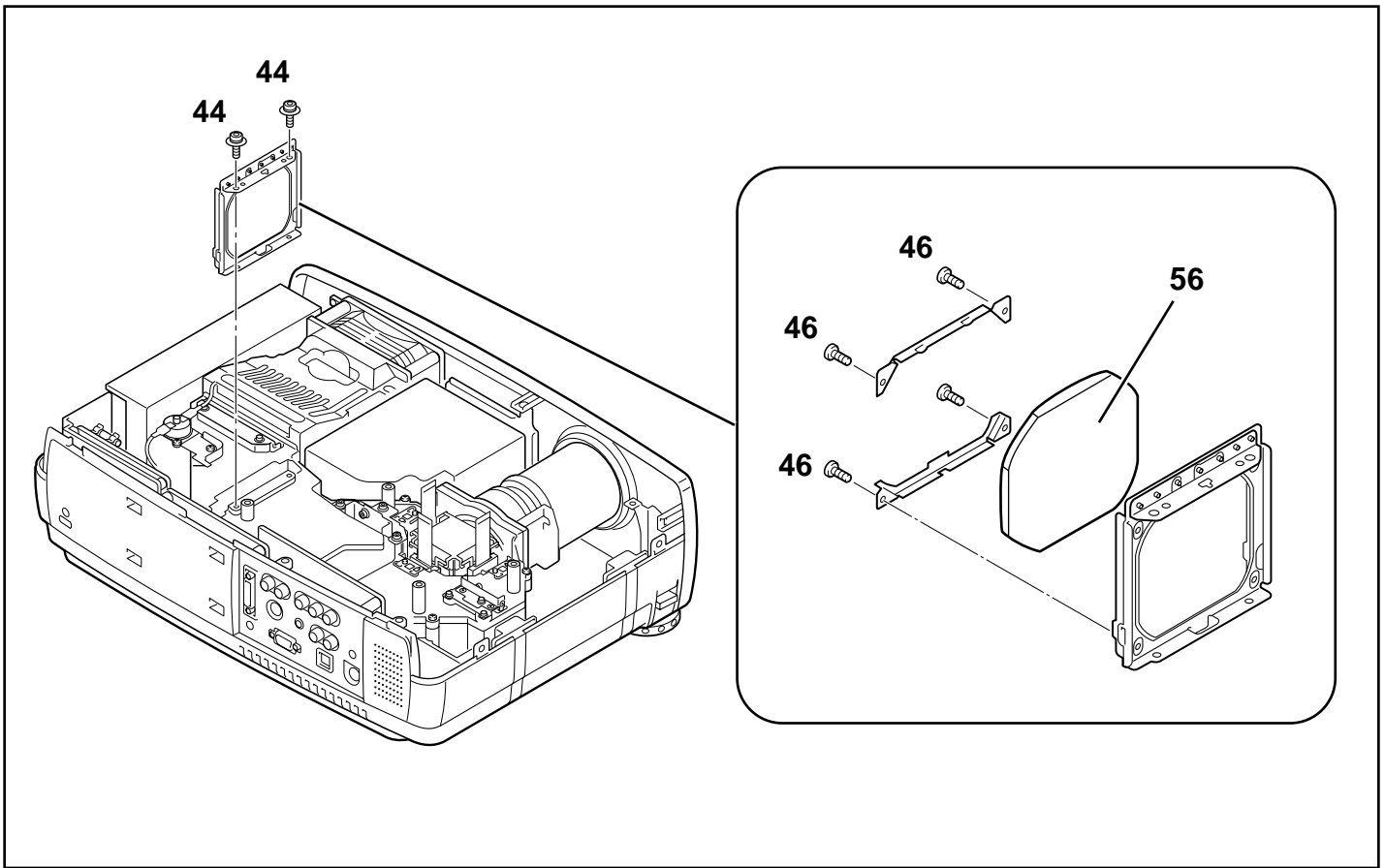


Mechanical Parts List

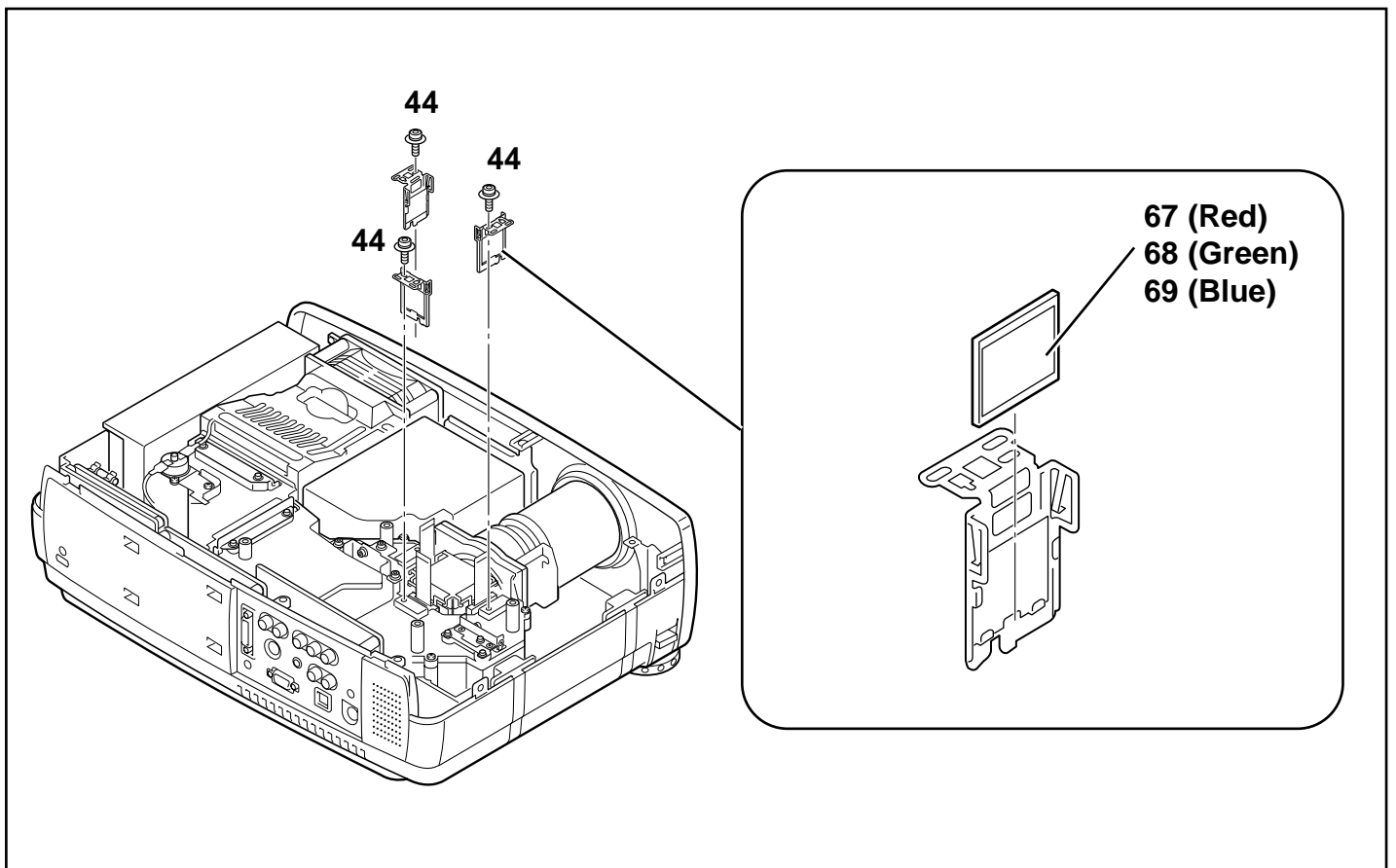
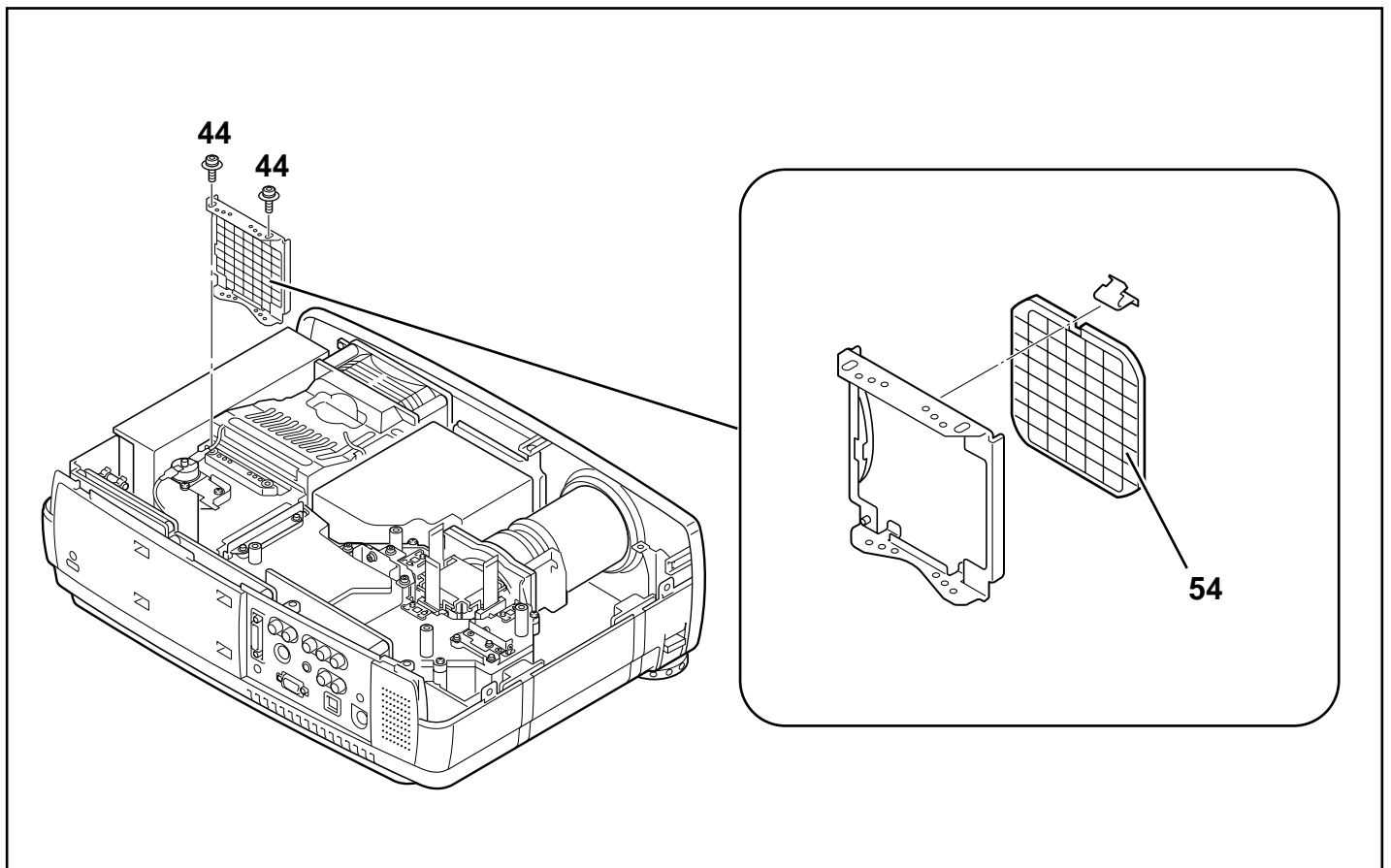
Key No.	Part No.	Description	Key No.	Part No.	Description
CABINET PARTS			OPTICAL PARTS		
1	610 292 6972	BUTTON CONTROL-MS6B	51	645 046 8483	ASSY,PRISM(PBS)
2	610 292 6996	BUTTON ZOOM-MS6B	or	645 049 7896	PRISM(PBS)
3	610 292 5654	BUTTON POWER-MS6A	52	645 047 0226	ASSY,LENS,PROJECTION (Including key No. 52-a)
4	610 292 7061	CABINET TOP-MS6L	52-a	645 047 6129	MOTOR,LENS(F,Z) DC 0.2W
5	610 292 6002	CABINET RING-MS6A	53		(For CP-300t)
6	610 296 9429	CABINET FRONT-MS6L		610 295 8348	ASSY,LCD PNL/PRISM-MS6A (Including key No. 53-a, b, c)
7	610 296 6756	COMPL,CABINET BOTTOM-MS6L (Including following parts)			(For CP-310t)
7-a	610 292 6941	ASSY,STAND LEG-MS6B		610 295 8355	ASSY,LCD PNL/PRISM-MS6G (Including key No. 53-a, b, c)
7-b	411 025 6500	SCR S-TPG BIN 3X8	53-a	645 048 1161	POLARIZED GLASS(OUT/R)
8	610 292 7191	CABINET BACK-MS6L	53-b	645 048 1178	POLARIZED GLASS(OUT/G)
9	610 292 6019	CAP LNS-MS6A	53-c	645 048 1185	POLARIZED GLASS(OUT/B)
10	610 292 7245	COVER LMP-MS6L	54	645 046 8049	LENS,INTEGRATOR(IN)
11	610 292 7283	COVER CABI TOP-MS6L	55	645 046 8056	LENS,INTEGRATOR(OUT)
12	610 292 7306	DEC LED-MS6A	56	645 046 8087	LENS,CONDENSER(IN)
13	610 294 1548	DEC SASH-MS6A	57	645 046 8094	LENS,CONDENSER(OUT)
14	610 292 7320	DEC AV SHEET-MS6B	58	645 046 8100	LENS,CONDENSER
15	610 294 9308	DEC SHEET RC-MW6A	59	645 046 8117	LENS,CONDENSER (R)
16	610 292 7399	HANDLE-MS6L	60	645 046 8124	LENS,RELAY(IN)
17	610 292 5753	HOLDER HANDLE-MS6A	61	645 046 8131	LENS,RELAY(OUT)
18	610 292 8945	MOUNTING DUCT FR-MS6A	62	645 050 2040	LENS,CONDENSER (B)
CHASSIS PARTS			63	645 047 1797	MIRROR(W-COLD)
21	610 294 1760	ARM SW-MS6A	64	645 047 1803	MIRROR(B)
22	610 292 6040	COVER DUCT TOP-MS6A	65	645 047 1810	MIRROR(R)
23	610 292 6064	COVER DUCT BTM-MS6A	66	645 046 8513	OPTICAL FILTER(UV CUT)
24	610 292 6088	COVER DUCT LMP PWB TOP-MS	67	645 048 1130	POLARIZED GLASS(IN/R)
25	610 292 6095	COVER DUCT LMP PWB BTM-MS	68	645 048 1147	POLARIZED GLASS(IN/G)
26	610 292 6101	COVER MAIN POW-MS6A	69	645 048 1154	POLARIZED GLASS(IN/B)
27	610 292 6125	FILTER BASE A-MS6A	70	645 047 1933	DICHROIC MIRROR (B)
28	610 292 6217	HOLDER LMP PWB-MS6A	71	645 047 1940	DICHROIC MIRROR (G)
29	610 294 5249	HOLDER POWER PCB A-MS6A			
30	610 292 5760	MOUNTING SW-MS6A			
31	610 292 6378	MOUNTING DUCT-MS6A			
32	610 292 6408	MOUNTING MAIN POWER-MS6A			
33	610 294 4501	SPRING INT LOCK-MS6A			
34	610 292 6590	OPTICAL BASE BTM-MS6A			
35	610 292 6606	OPTICAL BASE TOP-MS6A			
SCREWS					
41	411 001 8801	SCR BIN 3X6			
42	411 052 9604	SCR OVL 3X6			
43	412 058 5409	SPECIAL SCREW			
44	411 174 9308	BOLT HEX-SCT+SW+W 2.5X6			
45	411 001 8900	SCR BIN 3X8			
46	411 002 4901	SCR PAN 2X4			

Optical Parts List

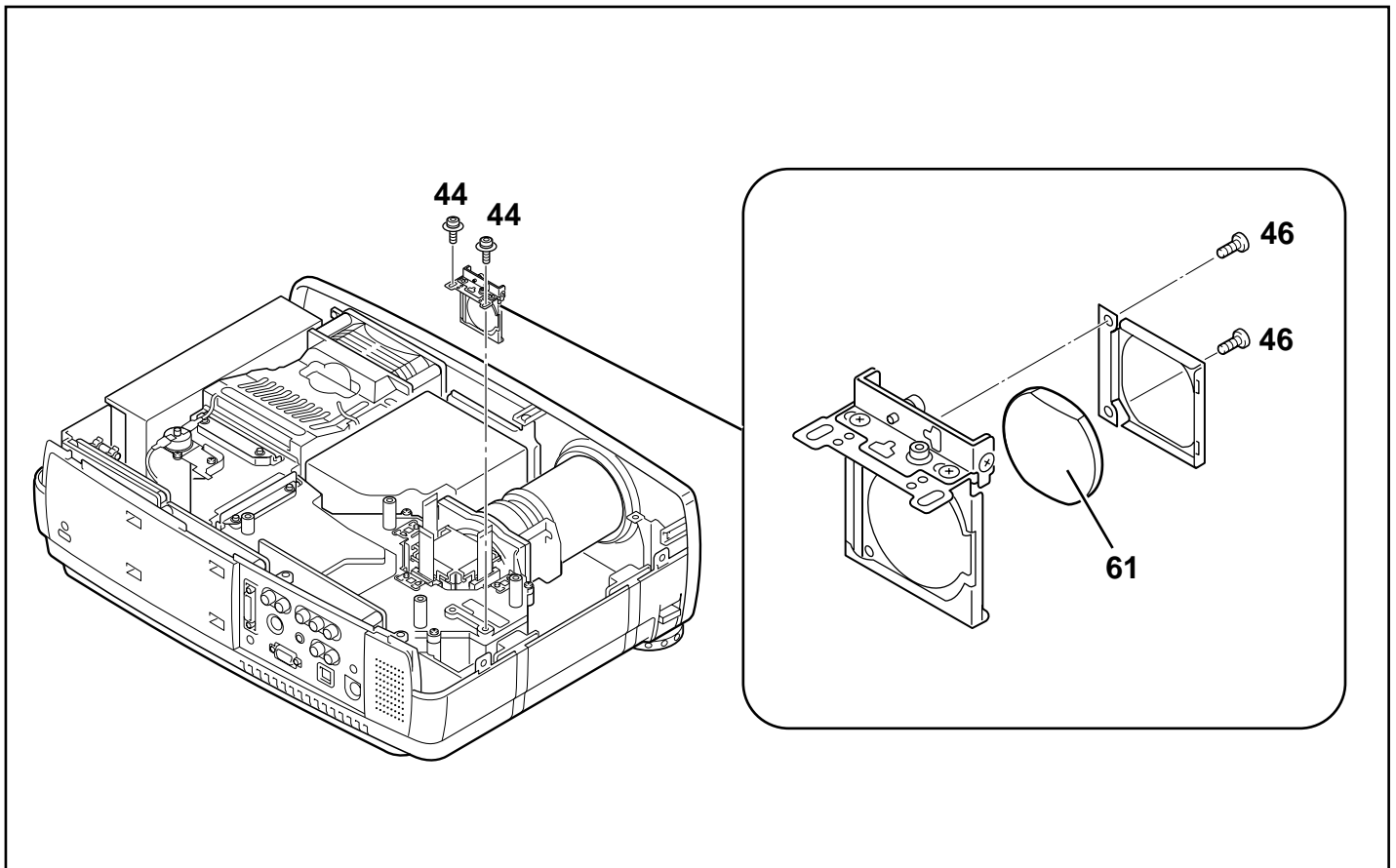
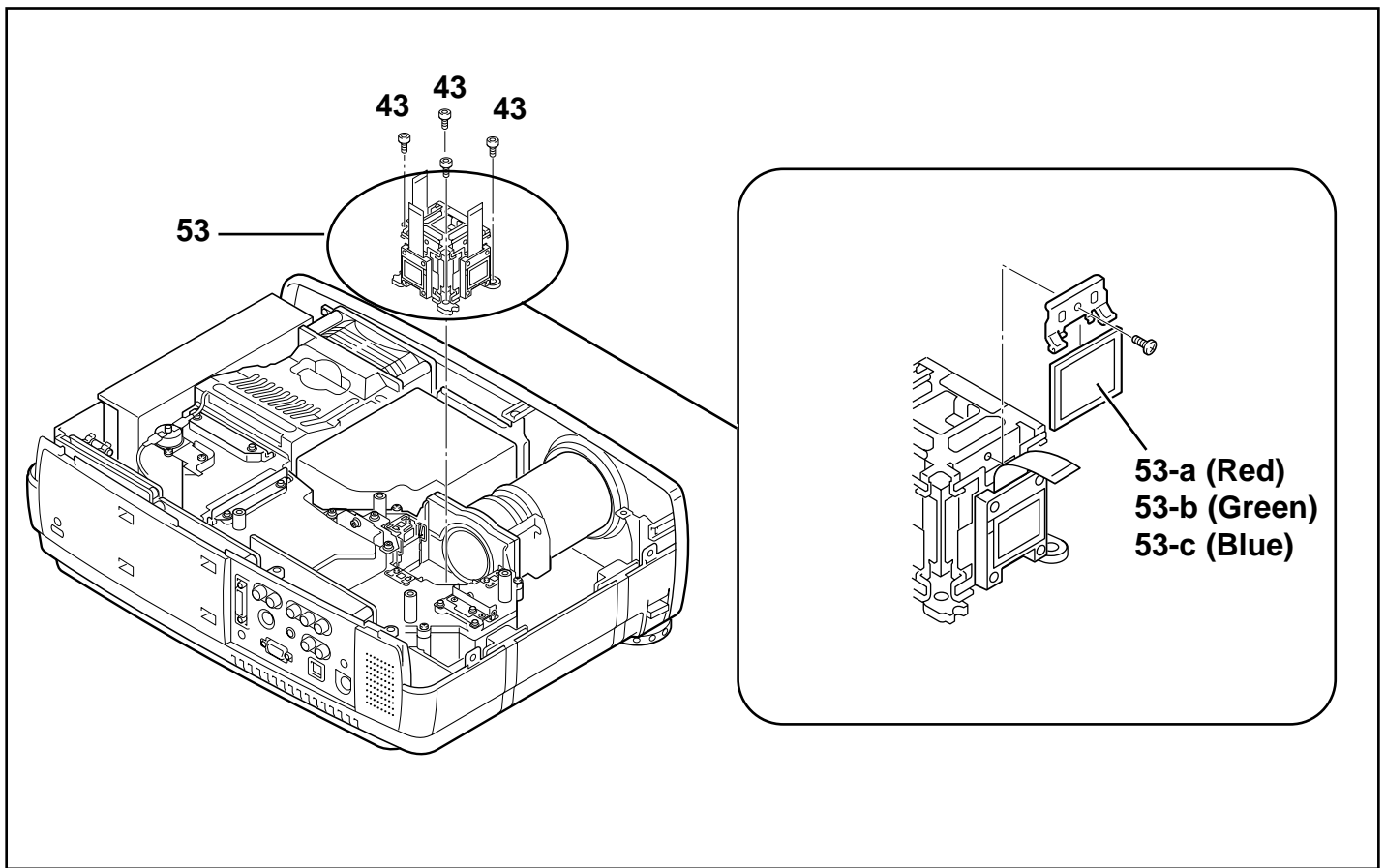
MS6-CP-300100, MS6-CP-310100



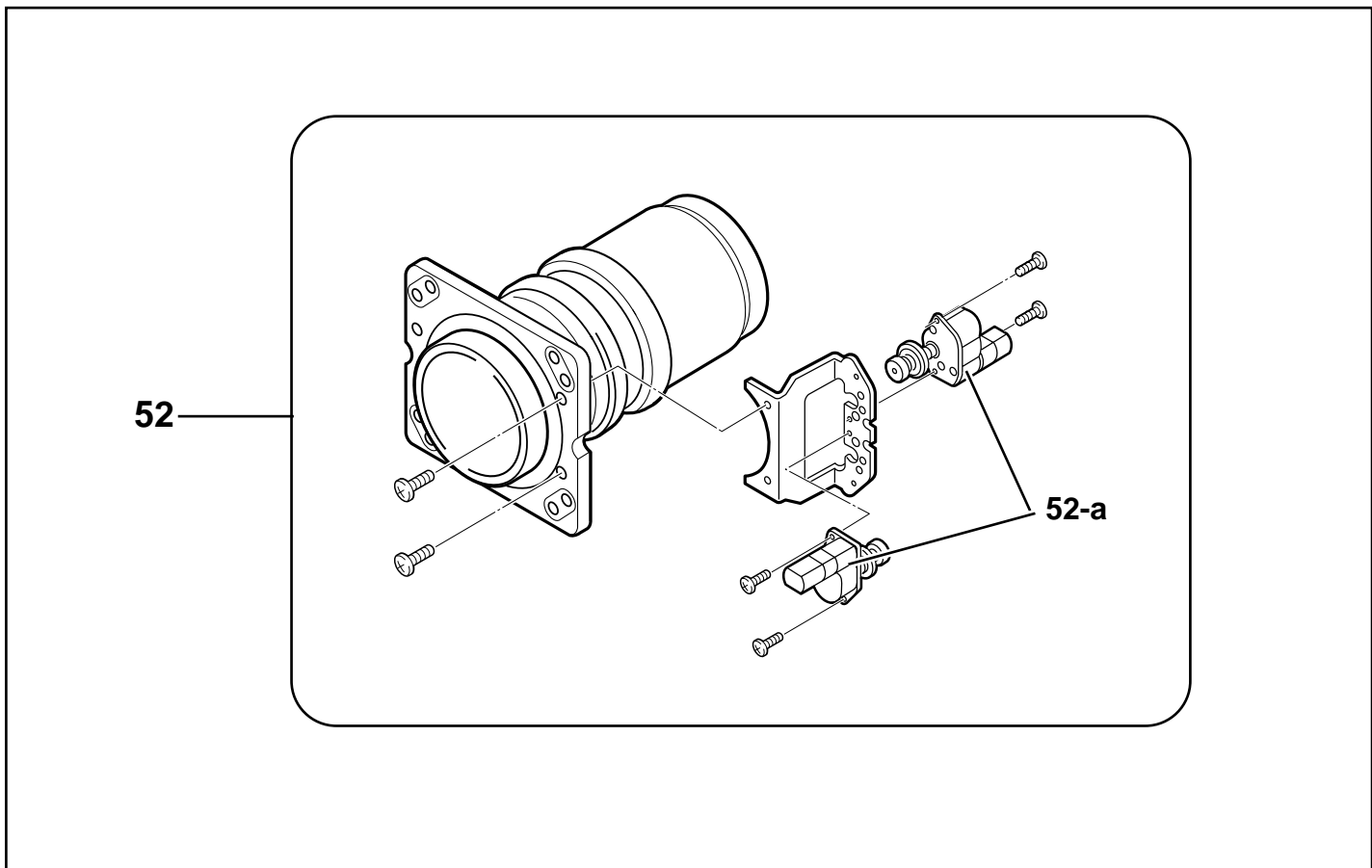
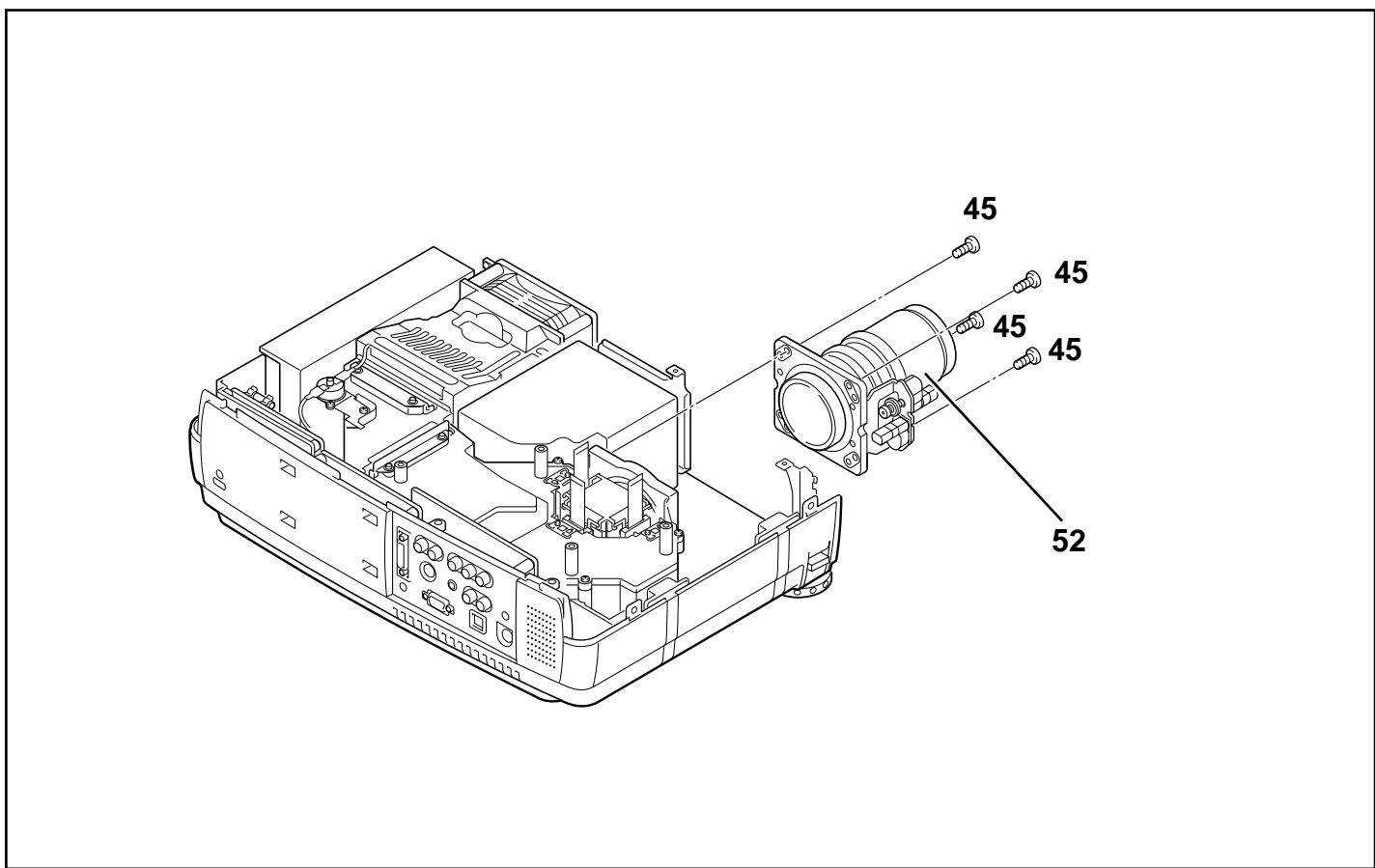
Optical Parts List



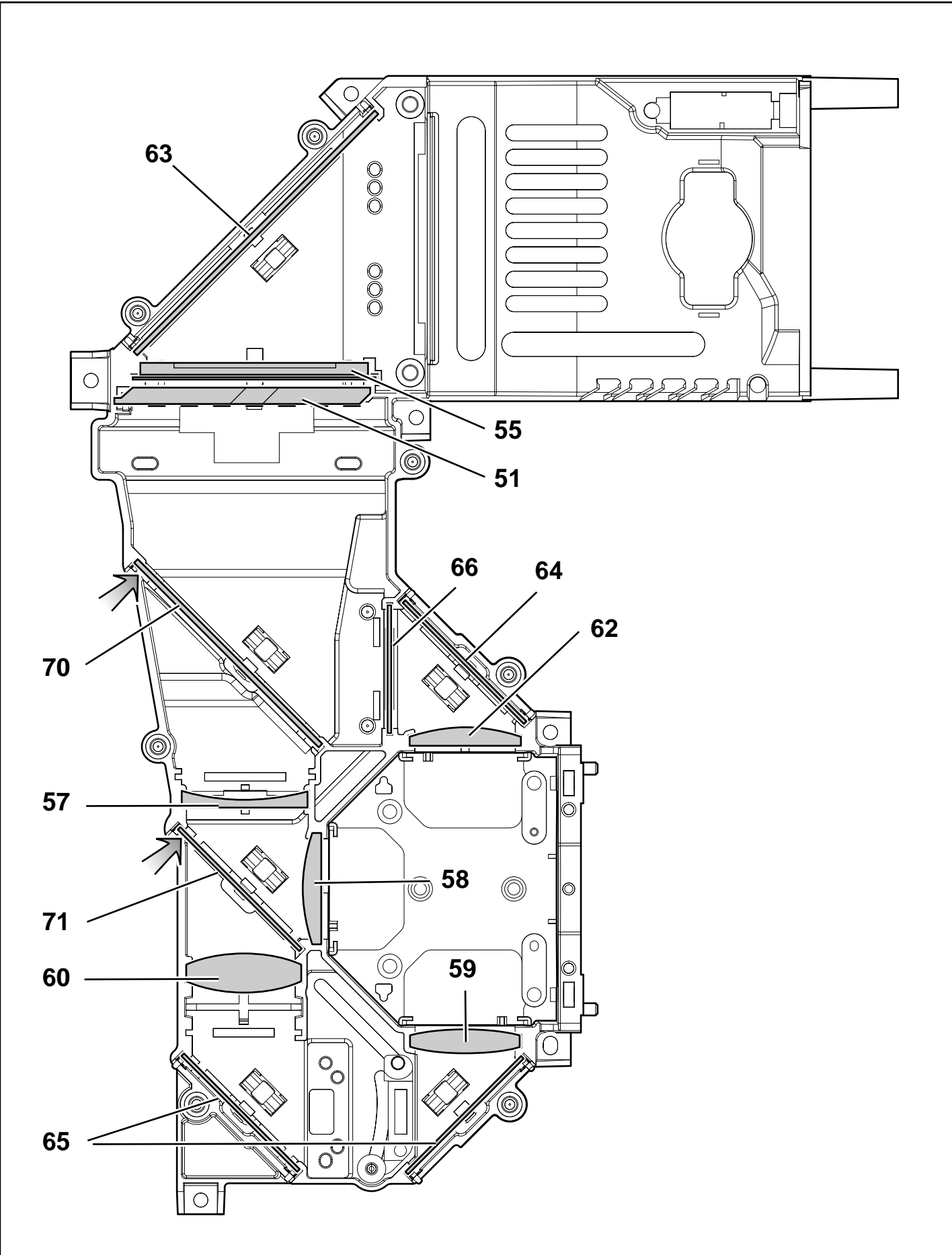
Optical Parts List



Optical Parts List



Optical Parts List





Boxlight
19332 Powder Hill Place
Poulsbo, WA 98370-7407 USA
www.boxlight.com
U.S. and Canada 800-762-5757
International 360-779-7901

Schematic Diagrams Printed Wiring Board Drawings

<u>Model</u>	<u>Chassis No.</u>
CP-300t	MS6-CP-300t00
CP-310t	MS6-CP-310t00

This model is constructed by following boards, and the information of part numbers and values indicated on these diagrams are at the beginning of production. To improve the performance, there may be some differences to the actual set. When you order the service parts, use service parts code mentioned on the parts list in this service manual.

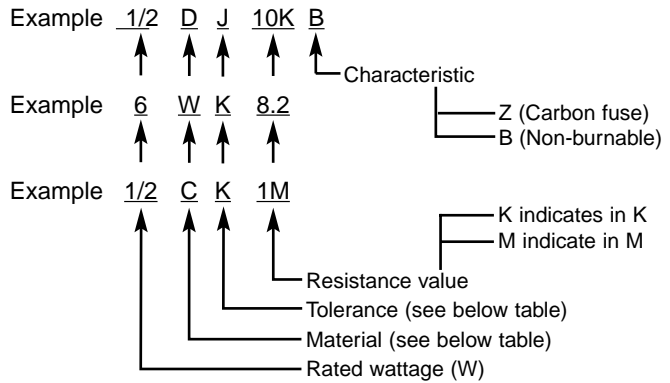
<u>Board Name</u>	<u>Board Number</u>
KEY SW BOARD	1AA0B10C34000
MAIN BOARD	1AA0B10C349CA
TEMP BOARD	1AA0B10C3490B
AV BOARD	1AA0B10C3500A
DVI BOARD	1AA0B10C3500B
R/C BOARD	1AA0B10C3520D
LINE FILTER BOARD	1AA0B10C3520C
P.F. BOARD	1AA0B10C3520B
POWER BOARD	1AA0B10C3520A
BALLAST BOARD	1AA0B10C36400

These schematic diagrams and printed wiring board drawings are part of the service manual original for chassis No. MS6-CP-300t00 and MS6-CP-310t00. File with the service manual No. SM5110258.

Parts description and reading in schematic diagram

1. The parts specification of resistors, capacitors and coils are expressed in designated code. Please check the parts description by the following code table.
2. Some of transistors and diodes are indicated in mark for the substitution of parts name. Please check the parts name by the following code table.
3. Voltages and waveforms were taken with a video color bar signal(1Vp-p at 75 ohms terminated) and controls to normal.
4. Voltages were taken with a high-impedance digital voltmeter.

Resistor Reading



Note: Resistor which is indicated with resistance value only are 1/6W carbon resistor. Resistor which is indicated with material, tolerance and value are 1/4W rated wattage.

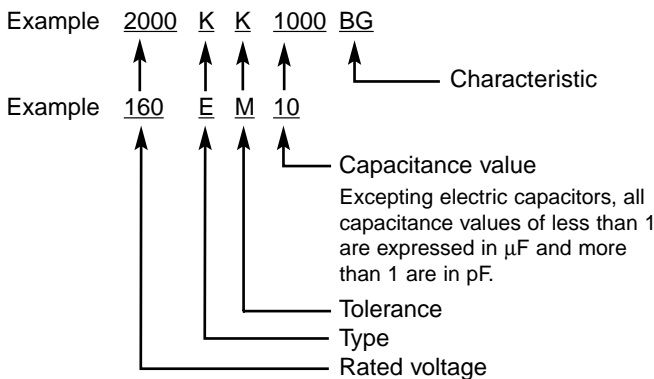
Material table

Mark	Material
D	Carbon
N	Metal film
S	Oxide metal film
C	Solid
G	Metal glaze
W	Wire winding or cement
H	Ceramic
F	Fusible

Tolerance table

Mark	Tolerance
A	±0.05
B	±0.1
C	±0.25
D	±0.5
F	±1
G	±2
J	±5
K	±10
M	±20
P	+5 -15
Z	used in 0 ohm

Capacitor Reading



Material table

Mark	Material
E	Electrolytic
P	Electrolytic (non-polarized)
C	Ceramic (temperature compensation)
K	Ceramic
F	Polyester
N	Polypropylene
M	Metallized polypropylene
H	Metallized polypropylar
B	Ceramic (semiconductor)
G	Metallized polyestel
Y	Composite film
S	Styrol
T	Tantalum oxide solid electrolytic
U	Organic semiconductive electrolyte
D	Electric double layer electrolytic

Tolerance table

Mark	Tolerance
A	not specified
B	±0.1
C	±0.25
D	±0.5
F	±1
G	±2
E	±2.5
H	±3
J	±5
K	±10
M	±20
N	±30
P	+100 -0
Q	+30 -10
T	+50 -10
U	+75 -10
V	+20 -10
W	+100 -10
X	+40 -20
Y	+150 -10
Z	+80 -20

Diode/Transistor Type Reading

Diode

Mark	Type number
R	1S2076A,1S2473,1N4148
AA	1S2076A,1S2473,1SS133,1N4148

Transistor

(1) NPN type

Mark	Type number			
--	2SC536	2SC945A	2SC1815	2SC1740S
AD	NF, NG	PA, QA	Y, GR	Q, R, S
AE	NF, NG	PA, QA, RA	O, Y, GR	Q, R, S

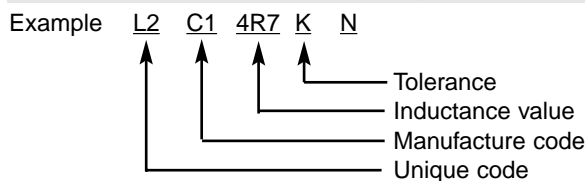
(2) PNP type

Mark	Type number			
--	2SA608	2SA564A	2SA1015	2SA933S
AB	NF	R	Y, GR	R
AC	NF	Q, R	O, Y, GR	Q, R

(3) Chip type

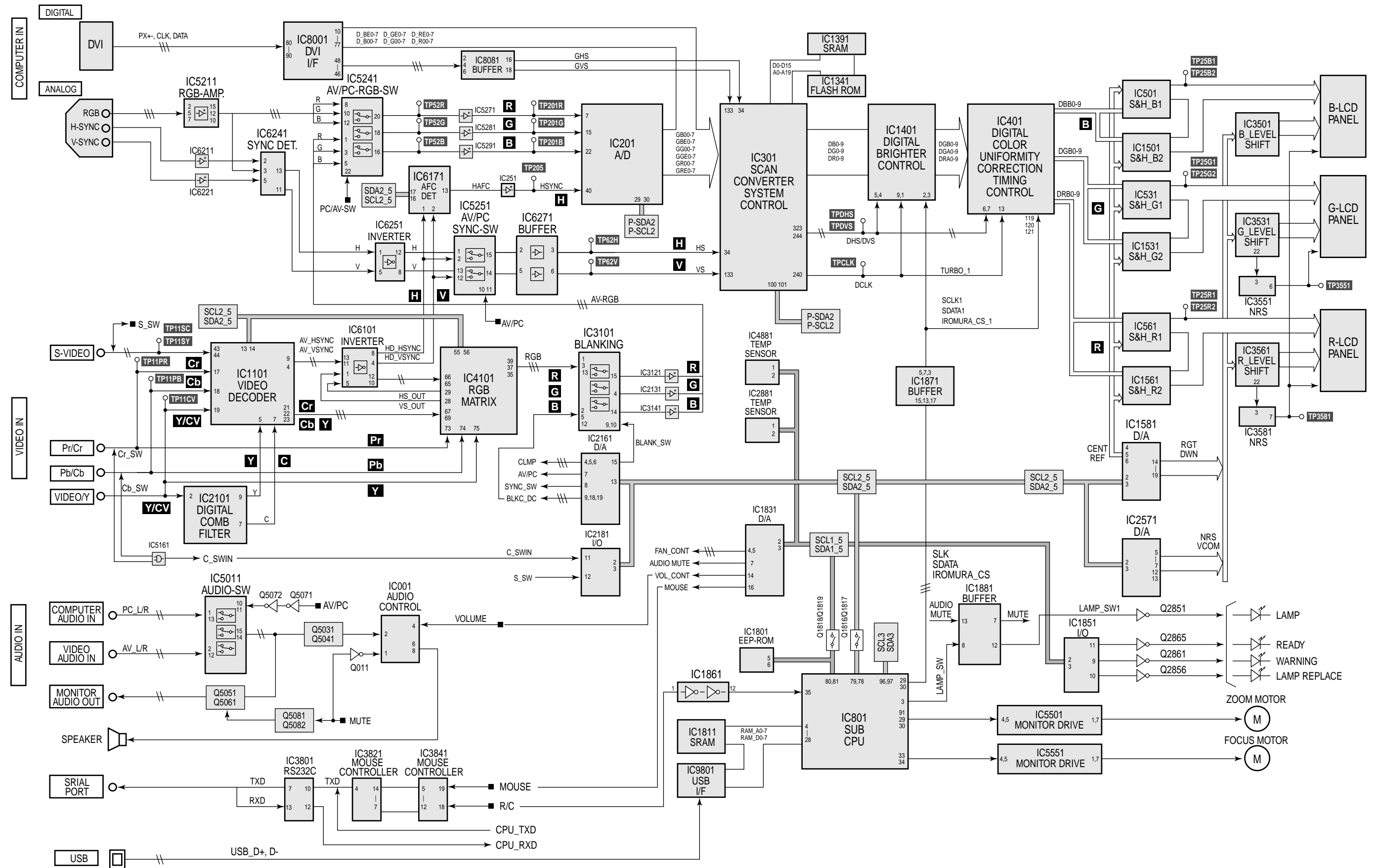
Mark	Type number				
--	2SA1179/N	2SA1037K	2SA1037AK	2SC2812/N	2SC2412K
AJ	M6, M7	R, S	R, S		
AH				L6, L7	R, S

Coil Reading

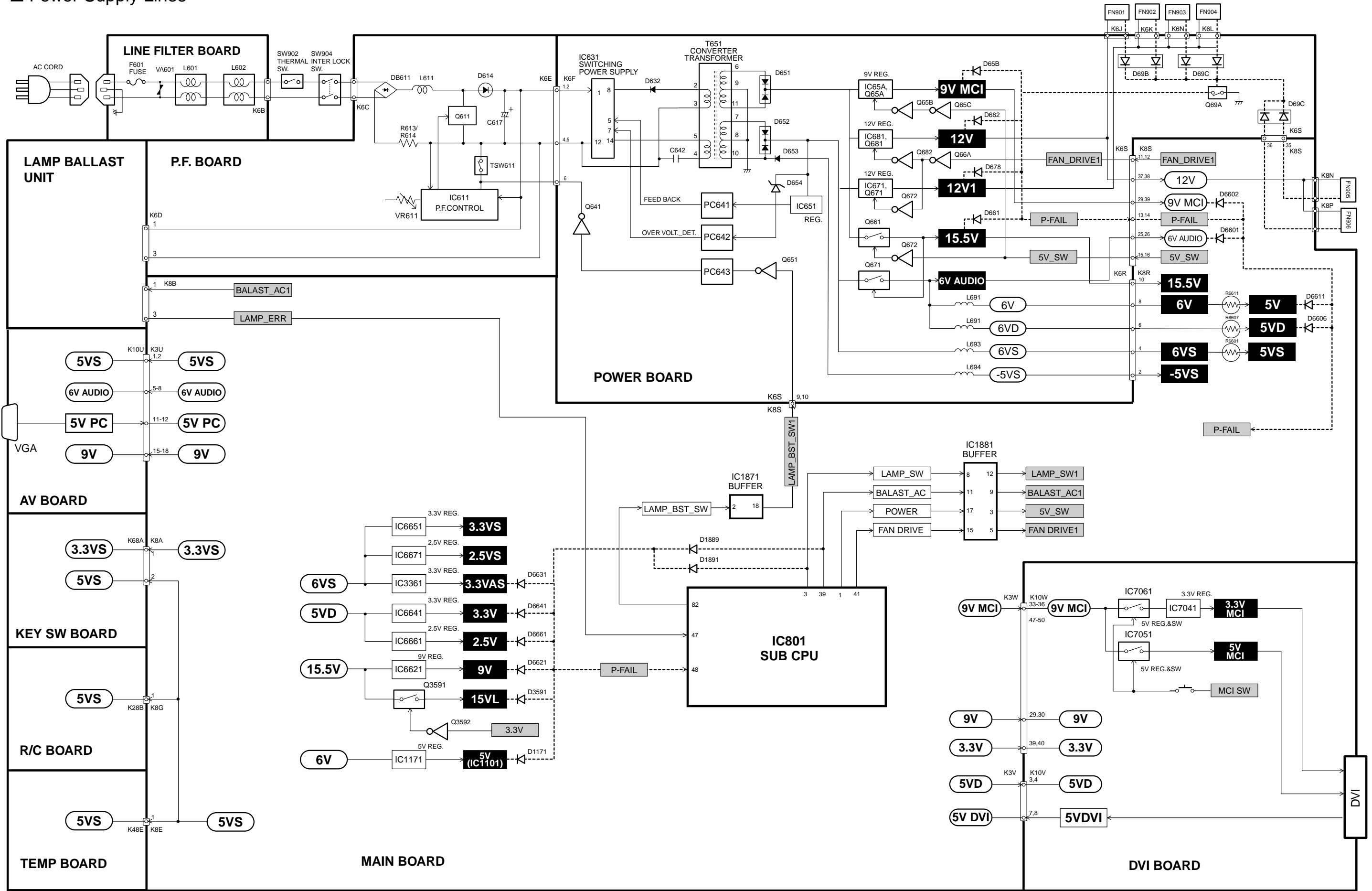


Mark	Tolerance (nH)	Mark	Tolerance (%)
C	±0.25	G	±2
D	±0.5	J	±5
S	±0.3	K	±10
A	±0.2	L	±15
		M	±20

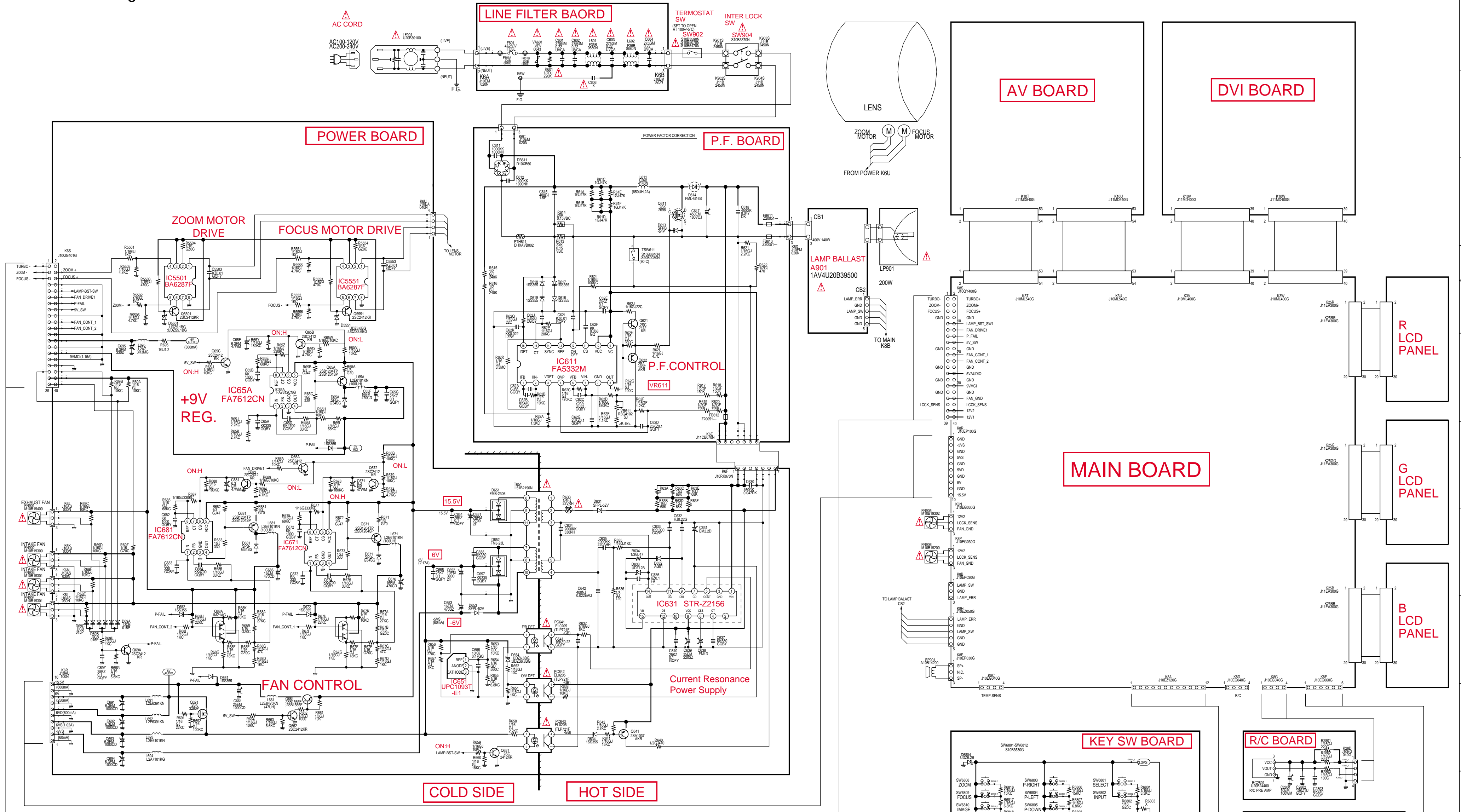
Circuit Block Diagram



Power Supply Lines



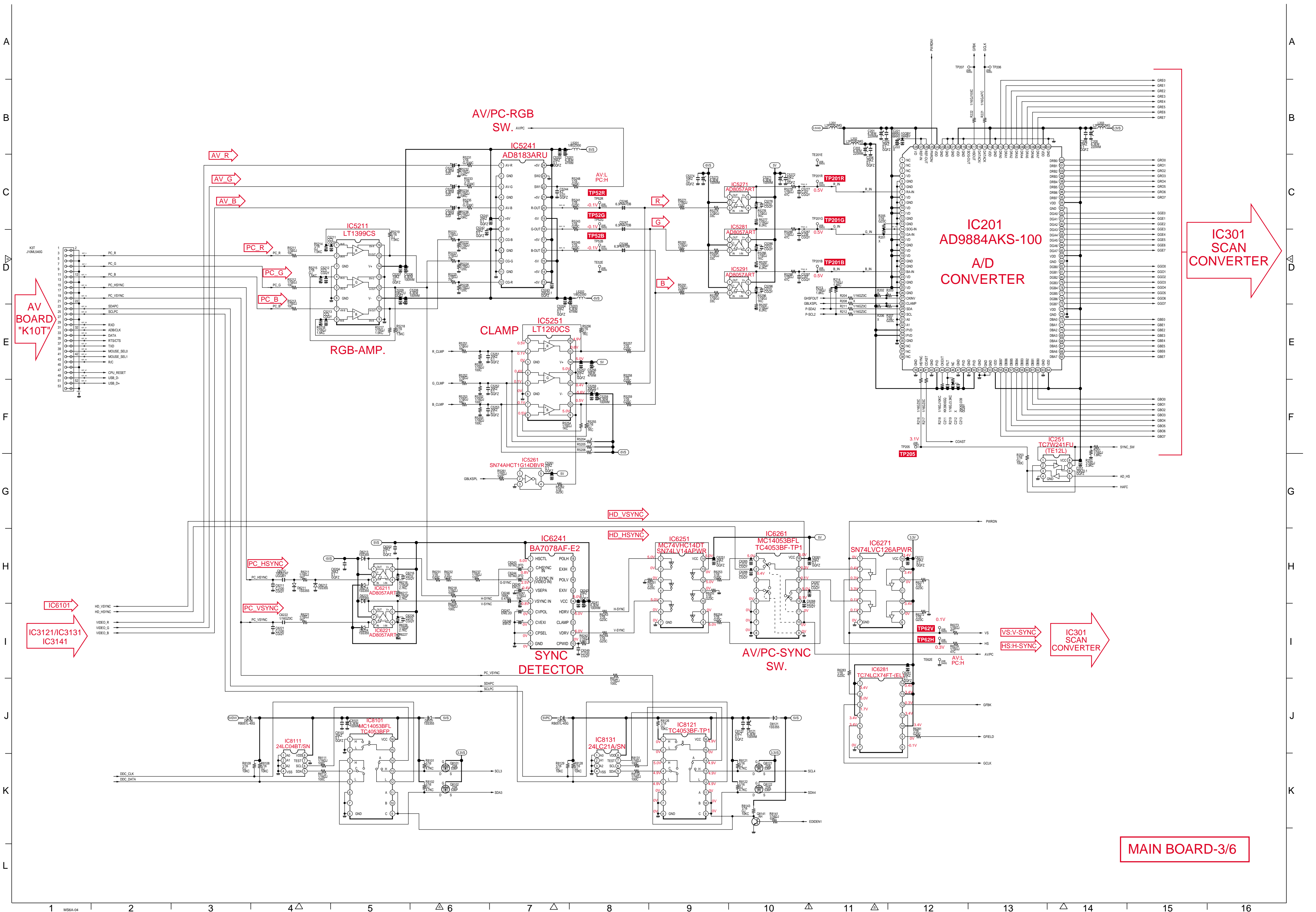
Schematic Diagrams



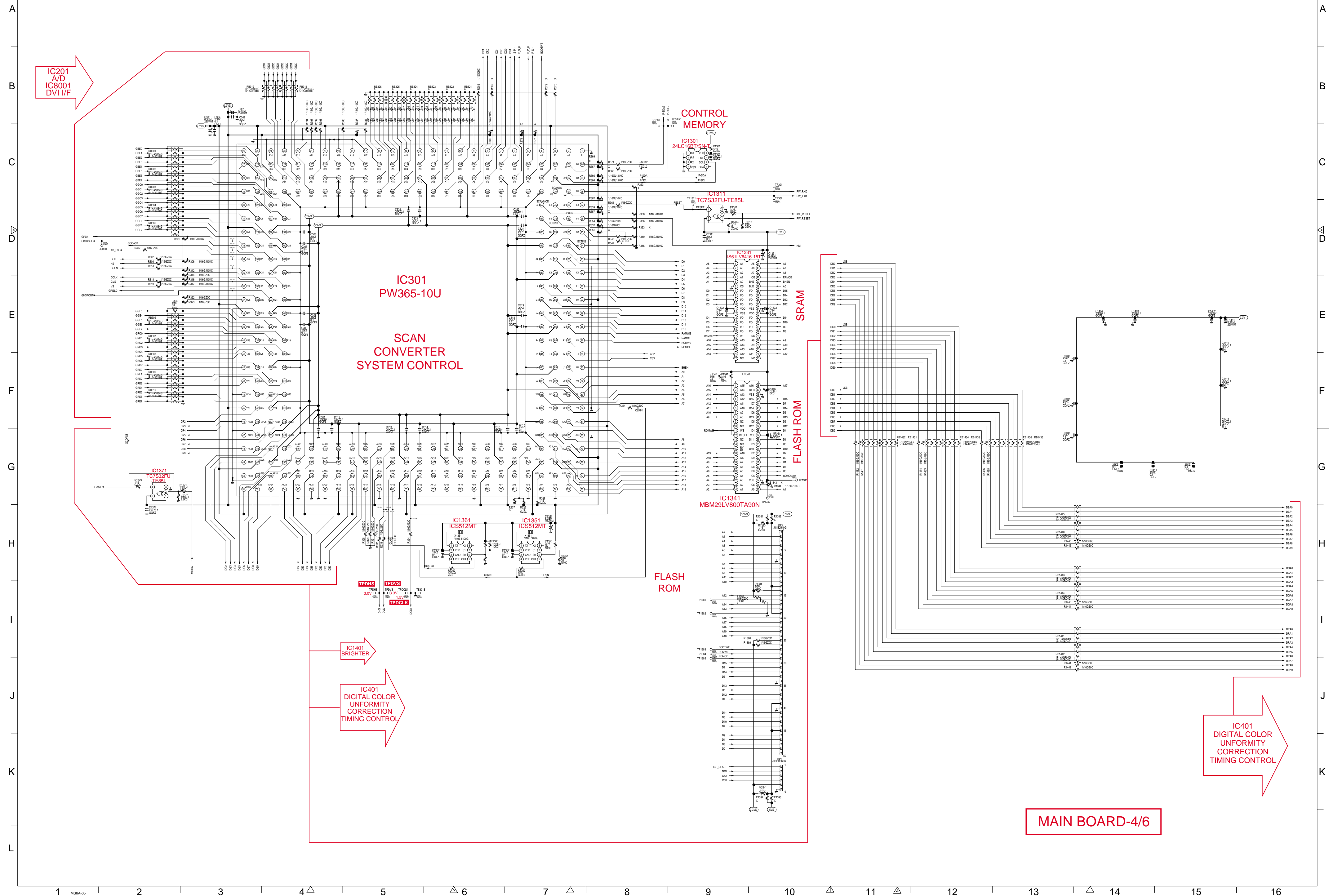
CAUTION
Fuse of the specified parts number used.
Unauthorized substitutions may result in fire or accident.

CAUTION
FAN CONTROL
Components indicated by a mark in this schematic diagram designate components in which safety can be of special significance. It is, therefore, particularly recommended that the replacement of these parts must be made by exactly the same parts.

This projector is isolated from AC line by using the internal converter transformer.
Please pay attention to the following notes in servicing.
① Do not touch the part on hot side (primary circuit) or both parts on hot and cold sides (secondary circuit) at the same time.
② Do not shorten the circuit between hot and cold sides.
③ The grounding lead must be connected to the ground of the same circuit when measuring of voltages and waveforms.



MAIN BOARD-3/6



IC201
A/D
IC8001
DVI I/F

CONTROL
MEMORY

IC301
PW365-10U

SCAN
CONVERTER
SYSTEM CONTROL

SRAM

FLASH ROM

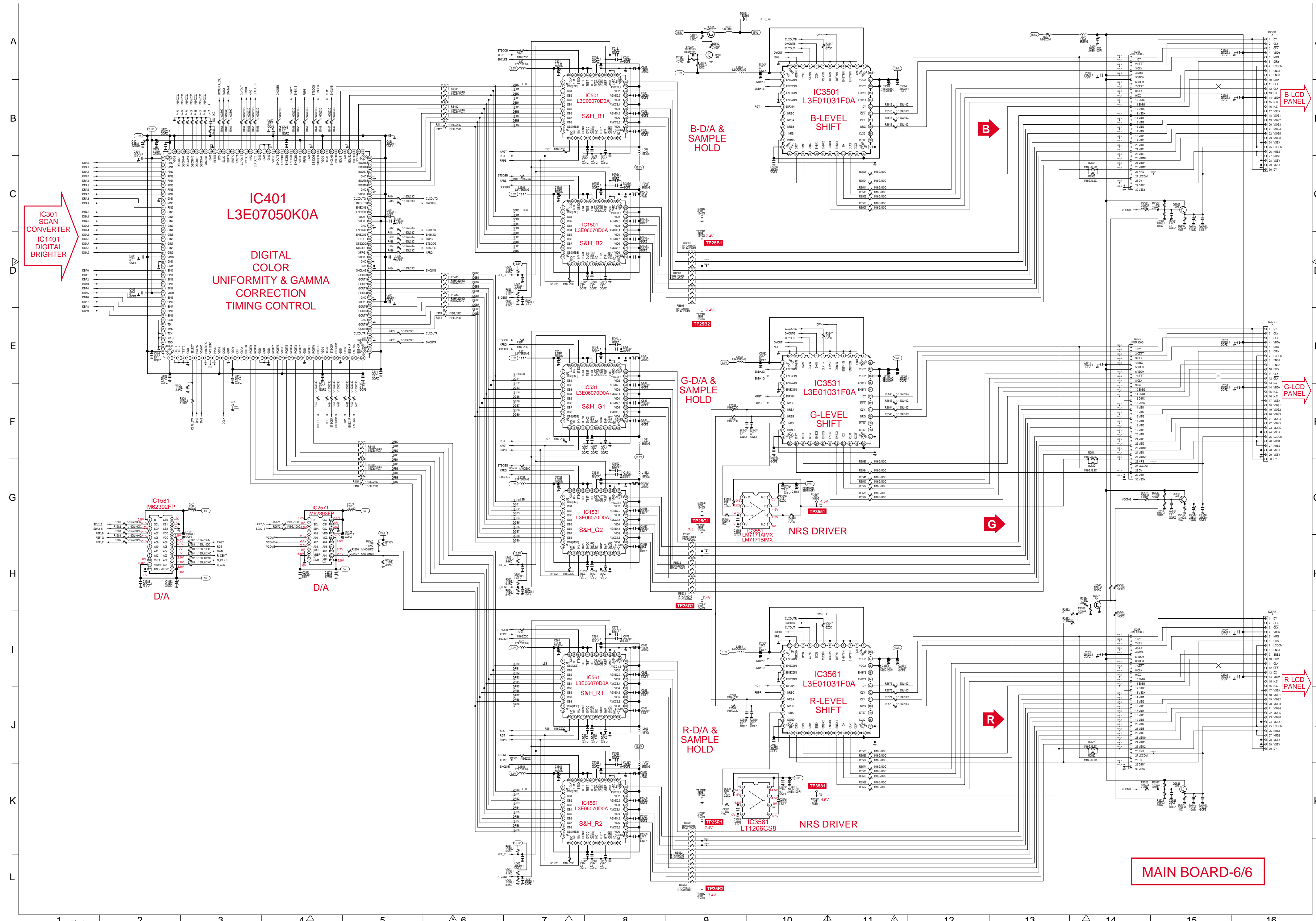
FLASH
ROM

IC1401
BRIGHTER

IC401
DIGITAL COLOR
UNIFORMITY
CORRECTION
TIMING CONTROL

IC401
DIGITAL COLOR
UNIFORMITY
CORRECTION
TIMING CONTROL

MAIN BOARD-4/6



MAIN BOARD-6/6

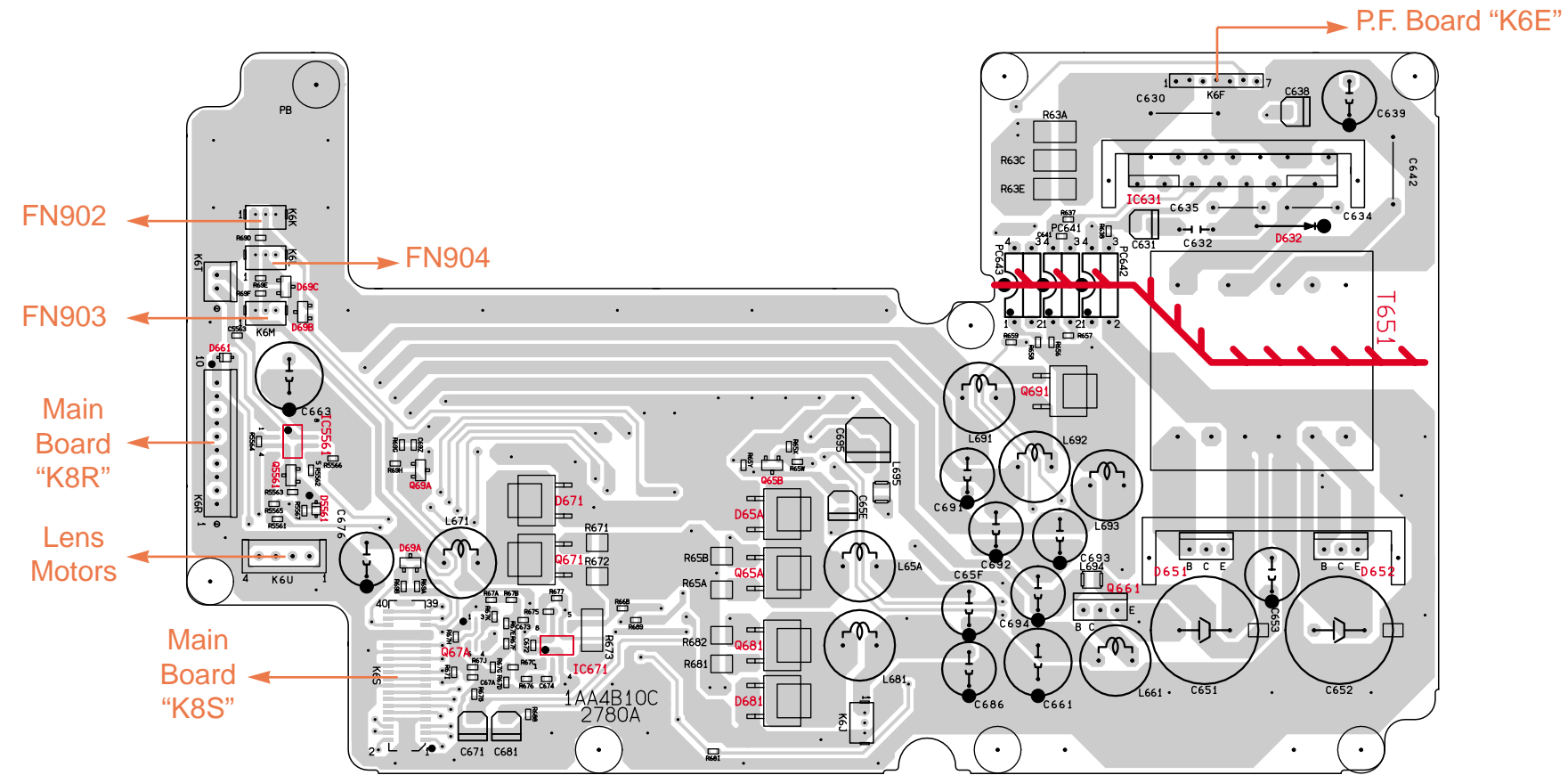
Printed Wiring Board Diagrams

CAUTION

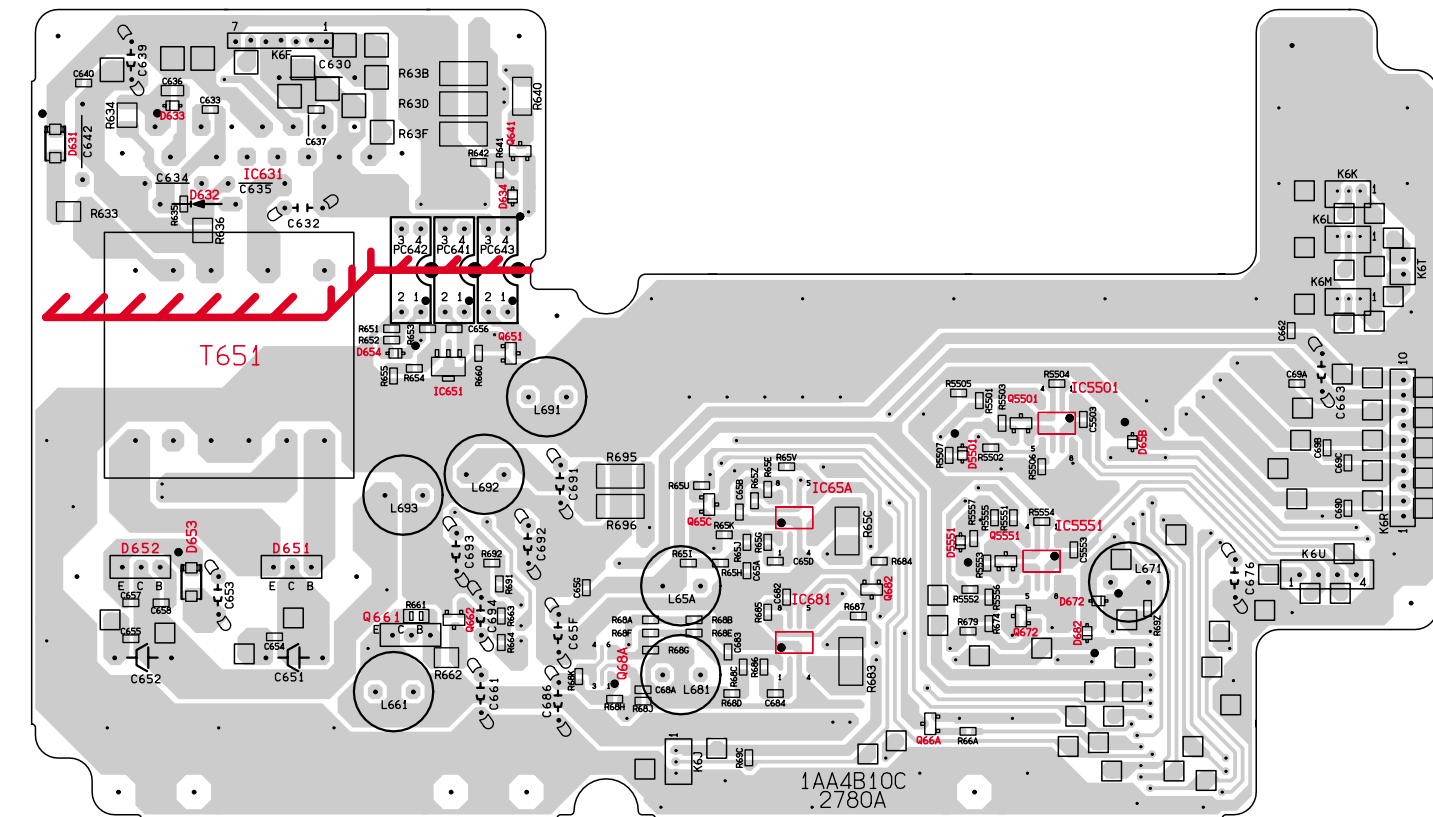
This projector is isolated from AC line by using the internal converter transformer. Please pay attention to the following notes in servicing.

1. Do not touch the part on hot side (primary circuit) or both parts on hot and cold sides (secondary circuit) at the same time.
2. Do not shorten the circuit between hot and cold sides.
3. The grounding lead must be connected to the ground of the same circuit when measuring of volt-ages and waveforms.

Power Board (SIDE:A)

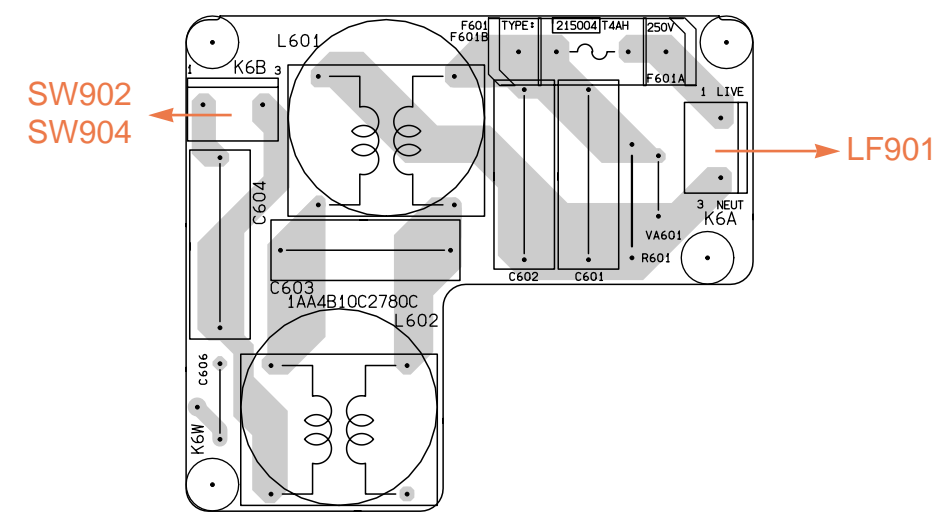
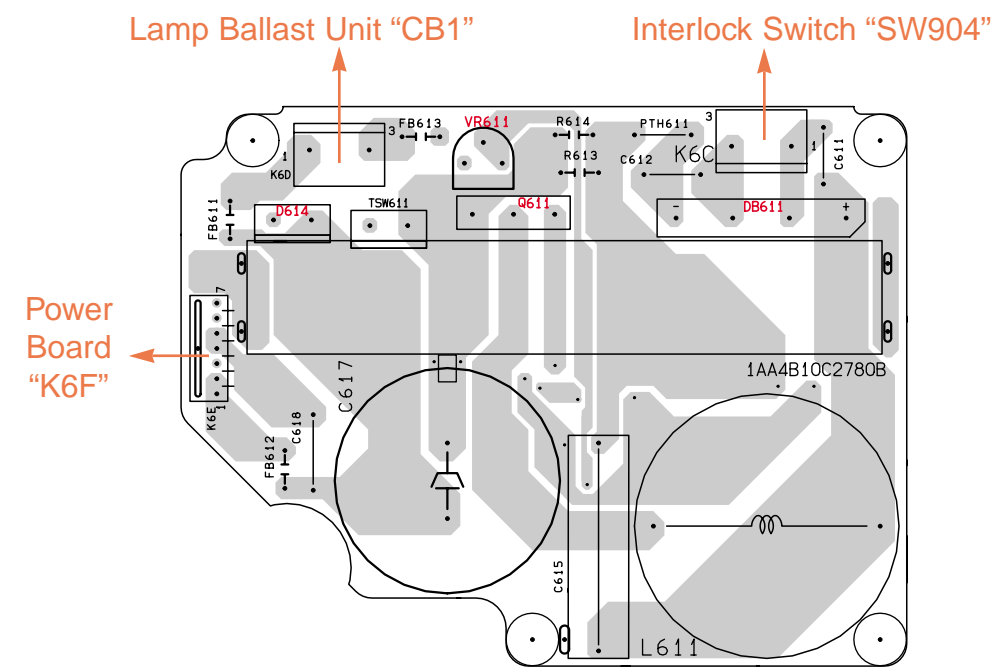


Power Board (SIDE:B)



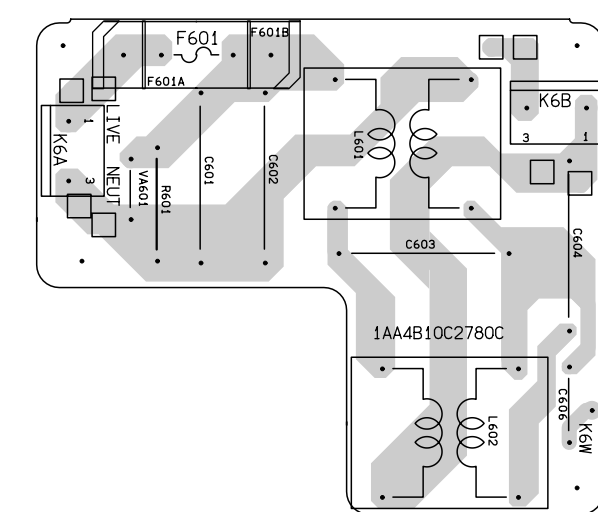
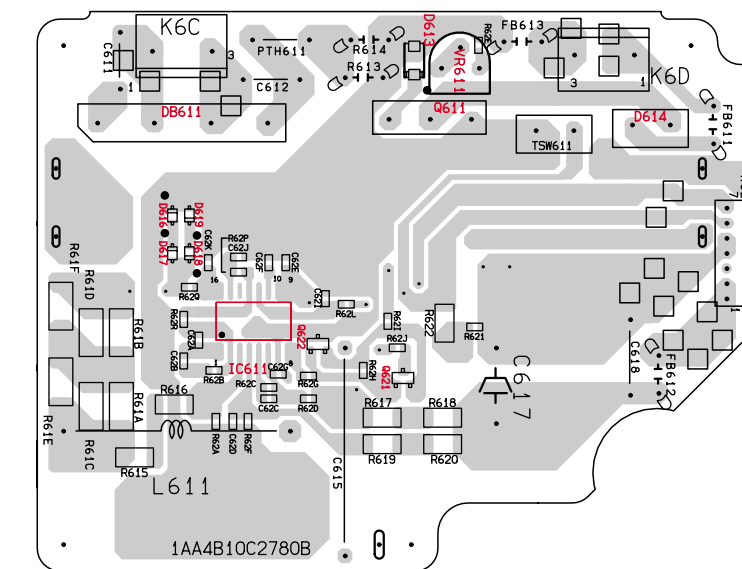
P.F. Board (SIDE:A)

Line Filter Board (SIDE:A)



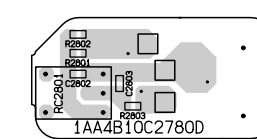
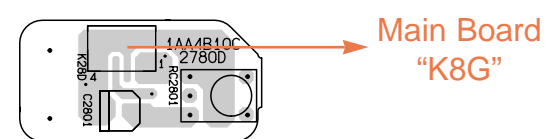
P.F. Board (SIDE:B)

Line Filter Board (SIDE:B)

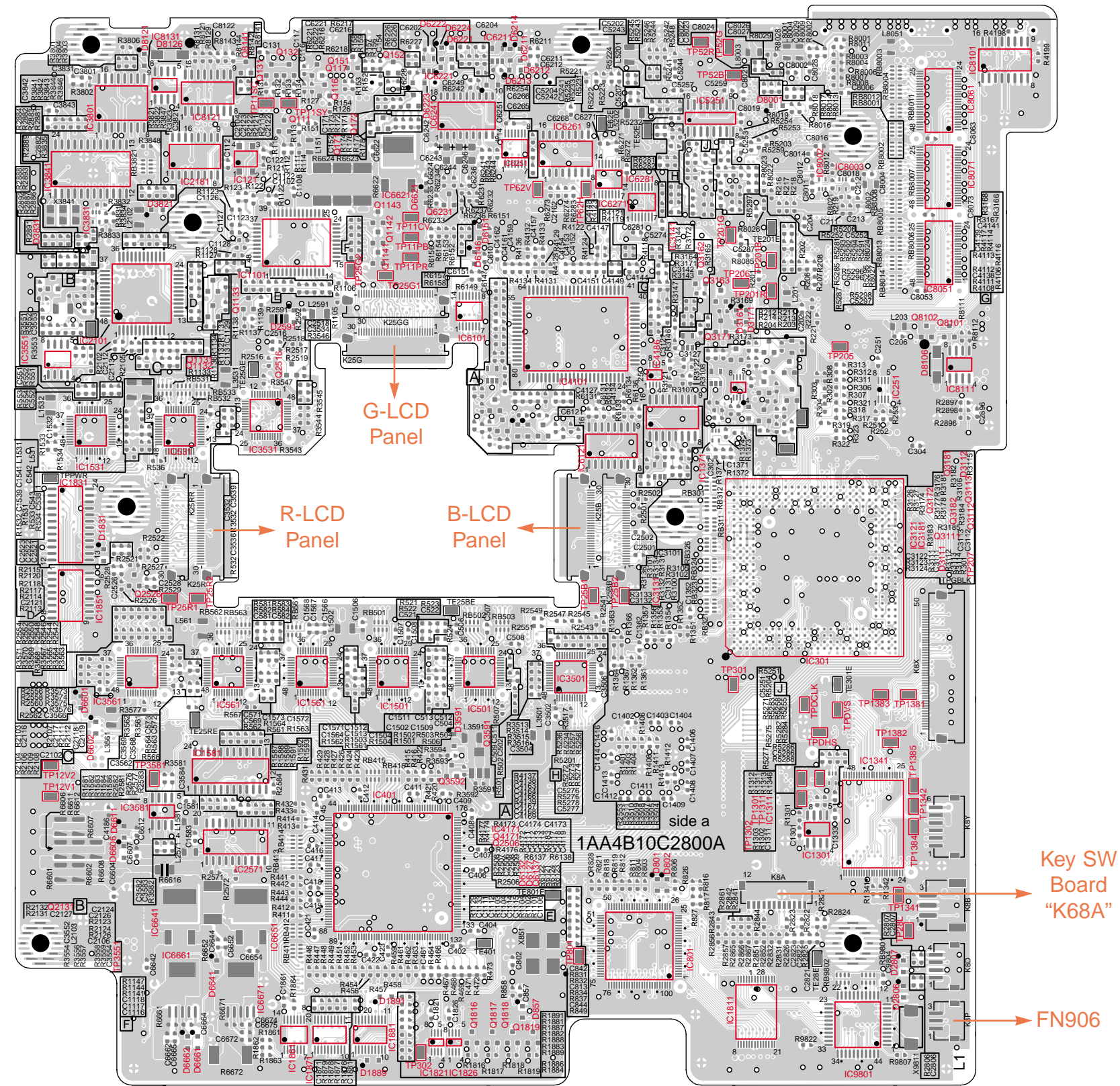


R/C Board (SIDE:A)

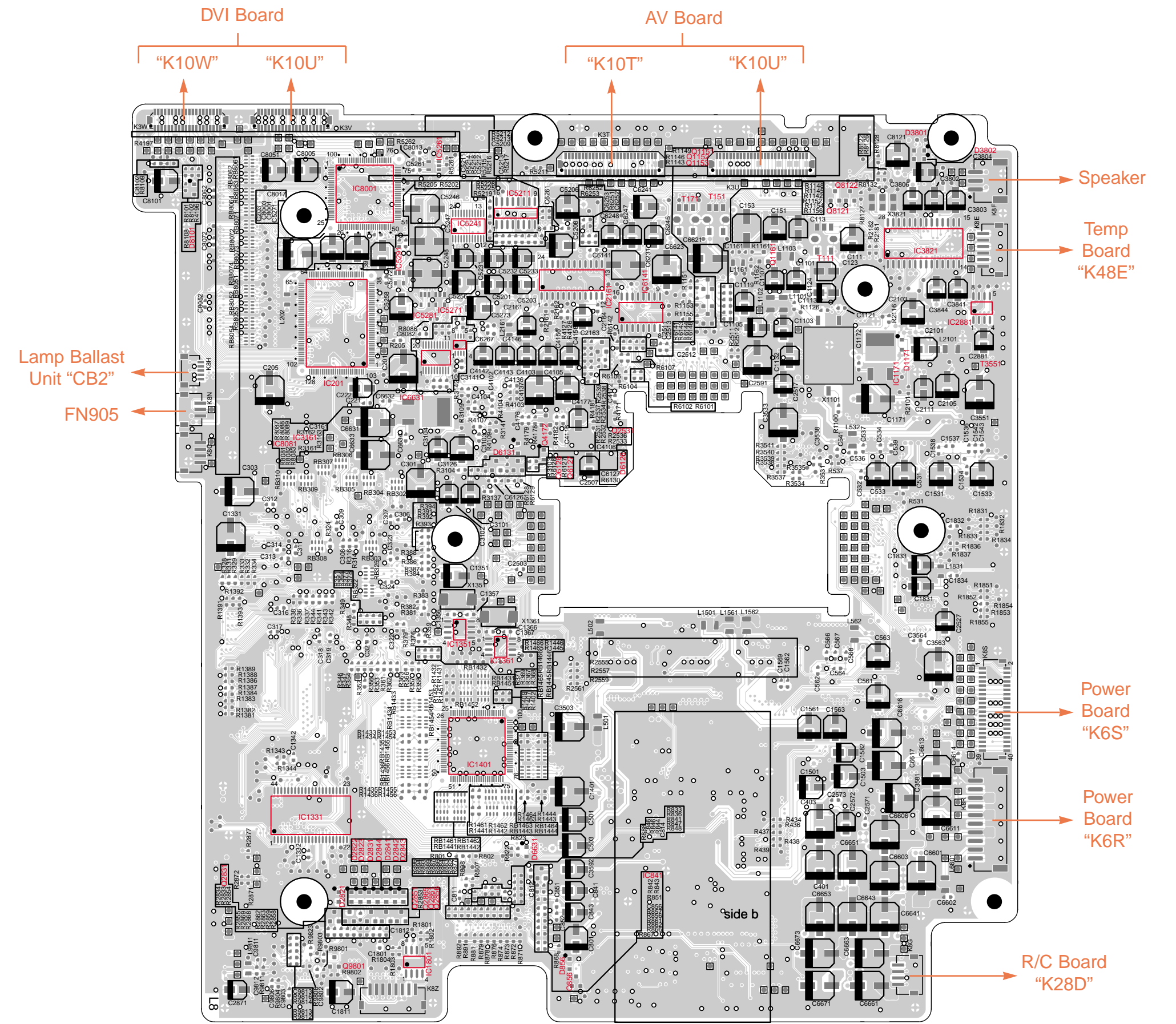
R/C Board (SIDE:B)



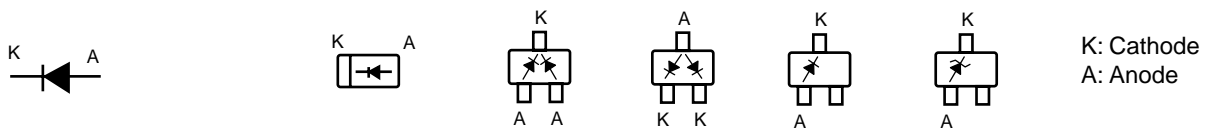
Main Board (SIDE:A)



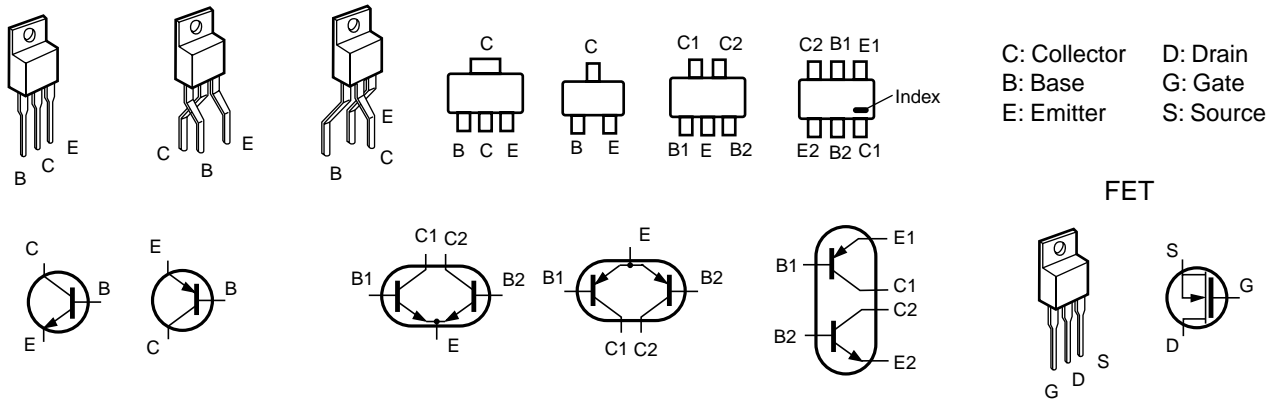
Main Board (SIDE:B)



● Diode



● Transistor/FET



● IC

