

FEATURED MODEL

510-884 10" & 8" bowl depths

ADDITIONAL MODELS

510-885 Left side large bowl, 8" & 7" bowl depths

514-481 Left side large bowl, 9" & 8" bowl depths

FEATURES

- 18 gauge, 304 series stainless steel
- 18/10 chrome/nickel content
- Long-lasting, easy-to-clean, satin polished finish
- Straight bowl sides with 5/8" cutout corner radius
- Rear drain placement

CODE/STANDARDS COMPLIANCE

ASME 112.19.3-00

IAPMO/UPC listed

OPTIONAL ACCESSORIES

Sink Grids: 220-991 (Formerly 510-901)

220-993 (Formerly 510-902)

Colanders: 215-651, 510-889,

221-027 (Formerly 508-803)

Cutting Board: 510-003S

WARRANTY

Blanco America's Platinum Series sinks feature a "NO HASSLE" LIMITED LIFETIME WARRANTY to be free of all manufacturing defects under normal use. See our complete warranty for details.

While Blanco America endeavors to provide accurate information, all dimensions are nominal, cannot be guaranteed, and are subject to change or cancellation. Blanco America assumes no responsibility for use of superseded or voided specifications.

PRODUCT SPECIFICATION

Drop-In sink to be 1-3/4 bowl design, 33" in length and 22" in front-to-back depth. Sink to be made from 18 gauge, 304 series stainless steel, with 18/10 chrome/nickel content and satin polished finish. Sink to feature rear drain placement and straight bowl sides with 5/8" cutout corner radius. Sink to be Blanco Model 510-884, with large bowl depth of 10" and small bowl depth of 8". Additional knockout hole locations: _____.

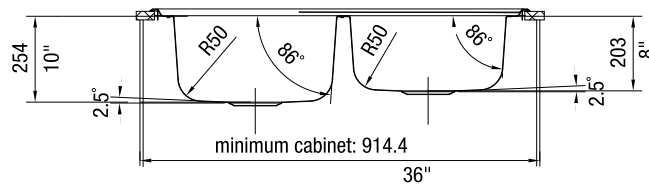
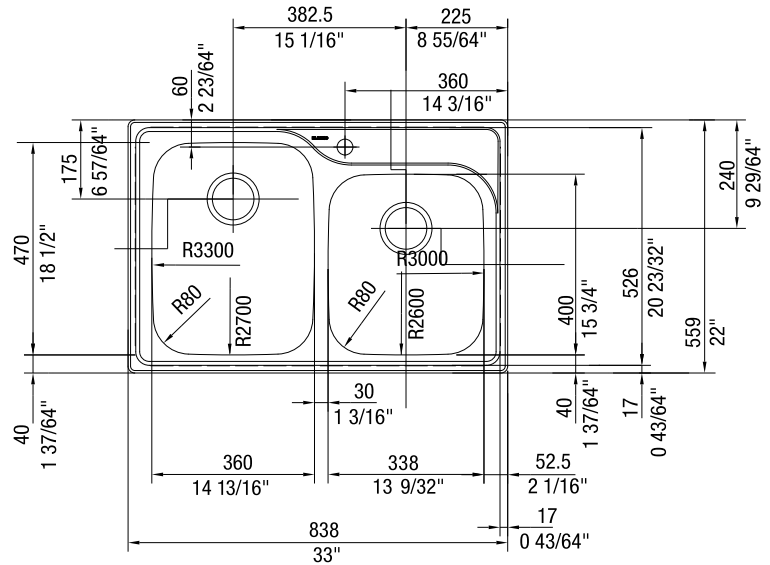


MODEL 510-884

NOMINAL DIMENSIONS

MODEL	OVERALL	CUTOUT SIZE	BOWL DEPTH LEFT	BOWL DEPTH RIGHT	DRAIN DIAMETER
510-884	33 x 22	32-1/4 x 21-1/4	10	8	3-1/2

DXF cutout templates available on our web site.



JOB INFORMATION

Job Name: _____

Contact: _____

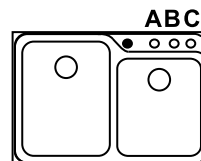
Date Specified: _____

Specifier: _____

Contractor: _____

KNOCKOUT HOLE LOCATIONS

Pre-drilled for single-hole faucet.



BLANCO AMERICA
 800.451.5782
 www.blancoamerica.com