

FEATURED MODEL

501-115 10-1/2" bowl depth

ADDITIONAL MODELS

501-114 12" bowl depth

FEATURES

- 18 gauge, 304 series stainless steel
- 18/8 chrome/nickel content
- Long-lasting, easy-to-clean, satin finish
- 4 diagonal drain grooves channel water directly to center drain

OPTIONAL ACCESSORIES

Colander: 215-651

WARRANTY

Blanco America's BLANCOMAGNUM™ Series sinks feature a "NO HASSLE" LIMITED LIFETIME WARRANTY to be free of all manufacturing defects under normal use. See our complete warranty for details.

While Blanco America endeavors to provide accurate information, all dimensions are nominal, cannot be guaranteed, and are subject to change or cancellation. Blanco America assumes no responsibility for use of superseded or voided specifications.

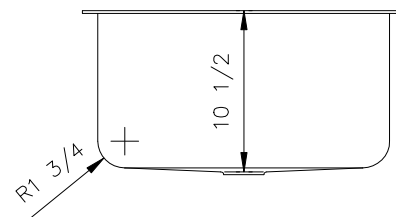
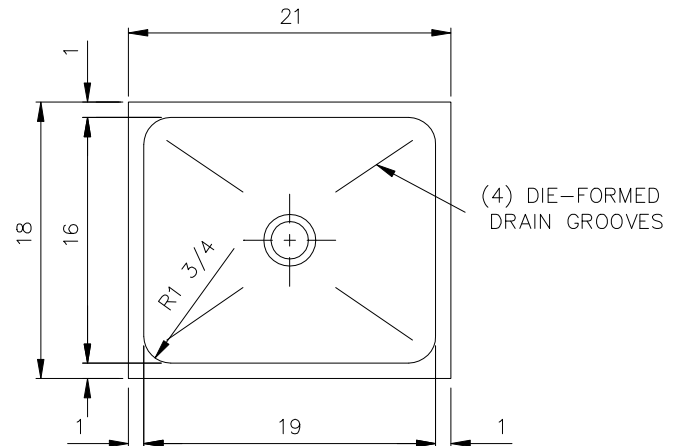


MODEL 501-115

NOMINAL DIMENSIONS

MODEL	OVERALL	BOWL DEPTH	DRAIN DIAMETER
501-115	21 x 18	10-1/2	3-1/2

DXF cutout templates available on our web site or this specification CD.



PRODUCT SPECIFICATION

Undermount sink to be specialty single bowl design, 21" in length and 18" in front-to-back depth. Sink to be made from 18 gauge, 304 series stainless steel, with 18/8 chrome/nickel content and satin finish. Sink to feature center drain placement with 4 diagonal drain grooves. Sink to be Blanco Model 501-115, with bowl depth of 10-1/2".

JOB INFORMATION

Job Name: _____

Contact: _____

Date Specified: _____

Specifier: _____

Contractor: _____