

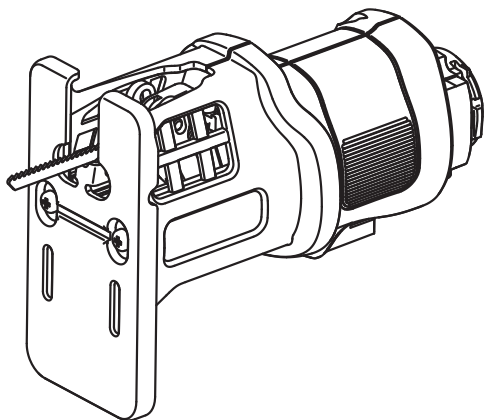
BLACK & DECKER®

MATRIX™

JIG SAW ATTACHMENT

INSTRUCTION MANUAL

**Catalog Number
BDCMTJS**



**Thank you for choosing Black & Decker!
Go to www.BlackandDecker.com/NewOwner
to register your new product.**

**PLEASE READ BEFORE RETURNING THIS
PRODUCT FOR ANY REASON:**

If you have a question or experience a problem with your Black & Decker purchase, go to
[HTTP://WWW.BLACKANDDECKER.COM/INSTANTANSWERS](http://www.blackanddecker.com/instantanswers)

If you can't find the answer or do not have access to the Internet,
call 1-800-544-6986 from 8 a.m. to 5 p.m. EST Mon. -- Fri. to speak with an agent.
Please have the catalog number available when you call.

SAVE THIS MANUAL FOR FUTURE REFERENCE.

VEA EL ESPAÑOL EN LA CONTRAPORTADA.

INSTRUCTIVO DE OPERACIÓN, CENTROS DE SERVICIO Y PÓLIZA DE GARANTÍA.
ADVERTENCIA: LÉASE ESTE INSTRUCTIVO ANTES DE USAR EL PRODUCTO.

⚠WARNING: Read all safety warnings and all instructions. *Failure to follow the warnings and instructions may result in electric shock, fire and/or serious injury.*

Save all warnings and instructions for future reference.

⚠WARNING: Read all safety warnings and all instructions provided with your Power Unit (BDCDMT112, BDCDMT120, or BDEDMT) before using this attachment. *Failure to follow the warnings and instructions may result in electric shock, fire and/or serious injury.*

SPECIFIC SAFETY RULES

- **Hold power tool by insulated gripping surfaces, when performing an operation where the cutting accessory may contact hidden wiring or its own cord.** *Cutting accessory contacting a “live” wire may make exposed metal parts of the power tool “live” and could give the operator an electric shock.*
- **Use clamps or another practical way to secure and support the work piece to a stable platform.** Holding the work by hand or against your body leaves it unstable and may lead to loss of control.
- **When working on a ladder or on scaffolding be sure to lay the tool down on its side when not in use.** Some tools with large battery packs will stand upright but may be easily knocked over.
- **Keep hands away** from cutting area. Never reach underneath the material for any reason. Hold front of saw by grasping the contoured gripping area. Do not insert fingers or thumb into the vicinity of the reciprocating blade and blade clamp. Do not stabilize the saw by gripping the shoe.
- **Keep blades sharp.** Dull blades may cause the saw to swerve or stall under pressure.
- **When cutting pipe or conduit** ensure that they are free from water, electrical wiring, etc.
- **Allow the motor to come to a complete stop before withdrawing the blade from the kerf (the slot created by cutting).** A moving blade may impact the workpiece causing a broken blade, workpiece damage or loss of control and possible personal injury.
- **Never hold work in your hand, lap or against parts of your body when sawing.** The saw may slip and the blade could contact the body causing injury.
- **Keep handles dry, clean, free from oil and grease.** This will enable better control of the tool.
- **Clean out your tool often, especially after heavy use.** Dust and grit containing metal particles often accumulate on interior surfaces and could create an electric shock hazard.
- **Do not operate this tool for long periods of time.** Vibration caused by the operating action of this tool may cause permanent injury to fingers, hands, and arms. Use gloves to provide extra cushion, take frequent rest periods, and limit daily time of use.

⚠WARNING: **ALWAYS** use safety glasses. *Everyday eyeglasses are NOT safety glasses. Also use face or dust mask if drilling operation is dusty. ALWAYS WEAR CERTIFIED SAFETY EQUIPMENT:*

- ANSI Z87.1 eye protection (CAN/CPA Z94.3),
- ANSI S12.6 (S3.19) hearing protection,
- NOSH/OSHA respiratory protection.

⚠WARNING: **Some dust created by power sanding, sawing, grinding, drilling, and other construction activities contains chemicals known to the state of California to cause cancer, birth defects or other reproductive harm. Some examples of these chemicals are:**

- *lead from lead-based paints,*
- *crystalline silica from bricks and cement and other masonry products, and*
- *arsenic and chromium from chemically-treated lumber.*

Your risk from these exposures varies, depending on how often you do this type of work. To reduce your exposure to these chemicals: work in a well ventilated area, and work with approved safety equipment, such as those dust masks that are specially designed to filter out microscopic particles.

- **Avoid prolonged contact with dust from power sanding, sawing, grinding, drilling, and other construction activities. Wear protective clothing and wash exposed areas with soap and water.** *Allowing dust to get into your mouth, eyes, or lay on the skin may promote absorption of harmful chemicals.*

⚠WARNING: **Use of this tool can generate and/or disperse dust, which may cause serious and permanent respiratory or other injury.** *Always use NOSH/OSHA approved respiratory protection appropriate for the dust exposure. Direct particles away from face and body.*

⚠ WARNING: Wear appropriate hearing protection during use. Under some conditions and duration of use, noise from this product may contribute to hearing loss.

SYMBOLS

The label on your tool may include the following symbols. The symbols and their definitions are as follows:

V.....volts	A.....amperes
Hz.....hertz	W.....watts
minminutes	~.....alternating current
— —direct current	n_0no load speed
⚠.....Class I Construction (grounded)	⊕.....earthing terminal
□.....Class II Construction (double insulated)	⚠.....safety alert symbol
📖.....Read instruction manual before use	.../min or rpm...revolutions or reciprocation per minute
👁.....Use proper eye protection	☁.....Use proper respiratory protection
	👂.....Use proper hearing protection

- When using an extension cord, be sure to use one heavy enough to carry the current your product will draw. An undersized cord will cause a drop in line voltage resulting in loss of power and overheating. The following table shows the correct size to use depending on cord length and nameplate ampere rating. If in doubt, use the next heavier gauge. The smaller the gauge number, the heavier the cord.

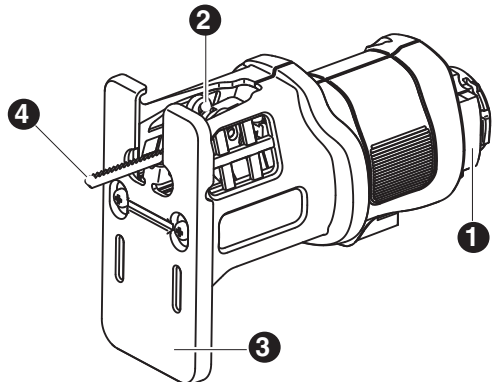
Volts	Minimum Gauge for Cord Sets Total Length of Cord in Feet			
	0-25 (0-7,6m)	26-50 (7,6-15,2m)	51-100 (15,2-30,4m)	101-150 (30,4-45,7m)
120V				
240V	0-50 (0-15,2m)	51-100 (15,2-30,4m)	101-200 (30,4-60,9m)	201-300 (60,9-91,4m)
Ampere Rating		American Wire Gauge		
More Than	Not more Than			
0 - 6	6	18	16	14
6 - 10	10	18	16	14
10 - 12	12	16	16	14
12 - 16	16	14	12	Not Recommended

SAVE THESE INSTRUCTIONS

⚠ WARNING: Before attempting any of the following operations, make sure the saw blade has stopped, and the battery is removed or the cord is unplugged. Used saw blades can be hot.

FUNCTIONAL DESCRIPTION

- Jig saw attachment
- Blade clamp
- Saw shoe
- Jig saw blade



OPERATING INSTRUCTIONS

⚠ WARNING: Shock hazard. Under no circumstances should this product be used near water.

⚠ WARNING: Risk of lacerations or burns. Do not touch work piece or blade immediately after operating the tool. They can become very hot. Handle carefully. Always allow accessories and work piece to cool before handling.

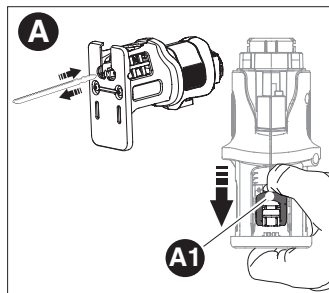
⚠ WARNING: To reduce the risk of injury, turn off and remove battery from tool or disconnect plug from power source before making any adjustments or removing or installing attachments or accessories. Remove any accessory from the attachment before removing or installing the attachment.

NOTE: Refer to Power Unit instruction manual before operating this tool for all safety warnings and details on installing and removing attachments.

INSTALLING AND REMOVING A SAW BLADE (FIGURE A)

⚠ WARNING: To reduce the risk of injury, turn off and remove battery from the tool or disconnect plug from power source before making any adjustments or removing or installing attachments or accessories.

- Access the lever (A1) through the back of the jig saw attachment.
- Press and hold the lever down with your thumb.
- Insert the saw blade into the blade clamp as shown. Make sure the teeth are pointing toward the slot opening in the saw shoe.
- Release the lever.
- To remove the saw blade, press and hold the **lever (A1)** down and pull the saw blade from the holder.



SAWING

- To switch the tool on, press the variable speed switch on the power unit. The tool speed depends on how far you press the switch.
- To switch the tool off, release the variable speed switch.
- Always use the appropriate type of saw blade for the workpiece material and type of cut.
- If necessary, drill a hole in the workpiece near the starting point of the cut so the blade will fit before starting the cut.

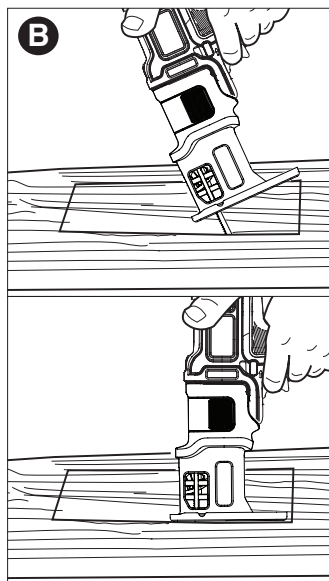
NOTE: This attachment only operates in the forward direction, the forward/reverse slider of the Power Unit should not be able to be switched to reverse.

MAKING A POCKET CUT (FIGURE B), IT IS NOT NECESSARY TO DRILL A PILOT HOLE:

- Mark the desired starting point.
- Tilt the tool forward and place the rounded front edge of the saw shoe on the workpiece.
- Switch the tool on and slowly feed the saw blade into the workpiece at the desired starting point.

CUTTING SHEET METAL

- Use a metal cutting blade. Clamp a piece of plywood or soft wood to the back of the workpiece and saw through the combination in order to obtain a clear cut.
- Do not force the saw blade into the workpiece. Note that cutting sheet metal will normally take more time than sawing thicker wooden workpieces.
- Spread a thin film of oil along the cutting line before sawing.
- To cut, place the front of shoe on the material to be cut. Hold the jig saw shoe firmly against the material while cutting. Don't force the tool; let the blade cut at its own speed.



CUTTING LAMINATES

- Use a downward cutting blade. Cut thin laminates with the back surface facing up, as splintering is most likely to occur on the side of the workpiece facing the saw shoe.
- For clean cuts, clamp a piece of plywood or hardboard to both sides of the laminate and cut through the resulting sandwich.

TROUBLESHOOTING

Problem	Possible Cause	Possible Solution
• Unit will not start.	• Attachment is not secured.	• Make certain the attachment is fully pushed into the Power Unit.

For assistance with your product, visit our website www.blackanddecker.com for the location of the service center nearest you or call the BLACK & DECKER help line at **1-800-544-6986**.

NOTE: Refer to Power Unit instruction manual for troubleshooting solutions regarding operation of the Power Unit.

MAINTENANCE

Use only mild soap and damp cloth to clean the tool. Never let any liquid get inside the tool; never immerse any part of the tool into a liquid.

IMPORTANT: To assure product SAFETY and RELIABILITY, repairs, maintenance and adjustment (other than those listed in this manual) should be performed by authorized service centers or other qualified service personnel, always using identical replacement parts.

ACCESSORIES

⚠ WARNING: The use of any accessory not recommended for use with this tool could be hazardous. Recommended accessories for use with your tool are available from your local dealer or authorized service center. If you need assistance regarding accessories, please call: 1-800-544-6986.

This device complies with part 15 of the FCC rules. Operation is subject to the following two conditions: (1) This device may not cause harmful interference, and (2) this device must accept any interference received, including interference that may cause undesired operation.

NOTE: This equipment has been tested and found to comply with the limits for a Class B digital device, pursuant to Part 15 of the FCC Rules. These limits are designed to provide reasonable protection against harmful interference in a residential installation. This equipment generates, uses and can radiate radio frequency energy and, if not installed and used in accordance with the instructions, may cause harmful interference to radio communications. However, there is no guarantee that interference will not occur in a particular installation.

If this equipment does cause harmful interference to radio or television reception, which can be determined by turning the equipment off and on, the user is encouraged to try to correct the interference by one or more of the following measures:

- Reorient or relocate the receiving antenna.
- Increase the separation between the equipment and receiver.
- Connect the equipment into an outlet on a circuit different from that to which the receiver is connected.
- Consult the dealer or an experienced radio/TV technician for help.

Changes or modifications to this unit not expressly approved by the party responsible for compliance could void the user's authority to operate the equipment. This Class B digital apparatus complies with Canadian ICES-003.

SERVICE INFORMATION

All Black & Decker Service Centers are staffed with trained personnel to provide customers with efficient and reliable power tool service. Whether you need technical advice, repair, or genuine factory replacement parts, contact the Black & Decker location nearest you. To find your local service location, refer to the yellow page directory under "Tools—Electric" or call: **1-800-544-6986** or visit www.blackanddecker.com

FULL TWO-YEAR HOME USE WARRANTY

Black & Decker (U.S.) Inc. warrants this product for two years against any defects in material or workmanship. The defective product will be replaced or repaired at no charge in either of two ways. The first, which will result in exchanges only, is to return the product to the retailer from whom it was purchased (provided that the store is a participating retailer). Returns should be made within the time period of the retailer's policy for exchanges (usually 30 to 90 days after the sale). Proof of purchase may be required. Please check with the retailer for their specific return policy regarding returns that are beyond the time set for exchanges.

The second option is to take or send the product (prepaid) to a Black & Decker owned or authorized Service Center for repair or replacement at our option. Proof of purchase may be required. Black & Decker owned and authorized Service Centers are listed under "Tools-Electric" in the yellow pages of the phone directory.

This warranty does not apply to accessories. This warranty gives you specific legal rights and you may have other rights which vary from state to state or province to province. Should you have any questions, contact the manager of your nearest Black & Decker Service Center. This product is not intended for commercial use.

FREE WARNING LABEL REPLACEMENT: If your warning labels become illegible or are missing, call **1-800-544-6986** for a free replacement.

LATIN AMERICA: This warranty does not apply to products sold in Latin America. For products sold in Latin America, check country specific warranty information contained in the packaging, call the local company or see the website for warranty information.

Imported by:
Black & Decker (U.S.) Inc.,
701 E. Joppa Rd.
Towson, MD 21286 U.S.A.

See 'Tools-Electric'
– Yellow Pages –
for Service & Sales



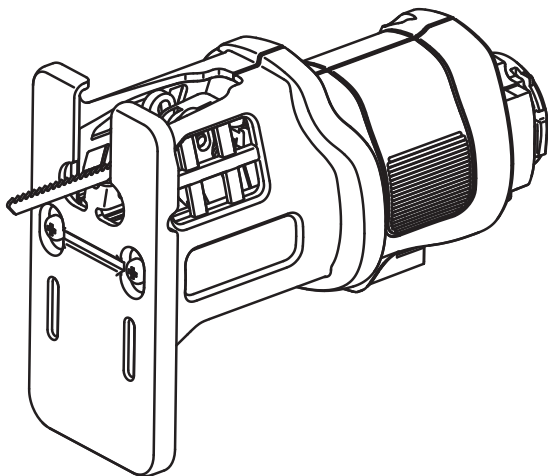
BLACK & DECKER®

MATRIX™

MODULE DE SCIE SAUTEUSE

MODE D'EMPLOI

N° de catalogue
BDCMTJS



**Merci d'avoir choisi Black & Decker!
Consulter le site Web [www.BlackandDecker.com/
NewOwner](http://www.BlackandDecker.com/NewOwner) pour enregistrer votre nouveau produit.**

À LIRE AVANT DE RETOURNER CE PRODUIT POUR QUELQUE RAISON QUE CE SOIT :

Si des questions ou des problèmes surgissent après l'achat d'un produit Black & Decker,
consulter le site Web

[HTTP://WWW.BLACKANDDECKER.COM/INSTANTANSWERS](http://www.blackanddecker.com/instantanswers)

Si la réponse est introuvable ou en l'absence d'accès à Internet, composer le
1-800-544-6986 de 8 h à 17 h HNE, du lundi au vendredi, pour parler avec un agent.

Prière d'avoir le numéro de catalogue sous la main lors de l'appel.

CONSERVER CE MANUEL POUR UN USAGE ULTÉRIEUR.

⚠ AVERTISSEMENT : Lire tous les avertissements de sécurité et toutes les directives. Le non-respect des avertissements et des directives pourrait se solder par un choc électrique, un incendie et/ou une blessure grave.

Conserver tous les avertissements et toutes les directives pour un usage ultérieur.

⚠ AVERTISSEMENT : Lire tous les avertissements de sécurité et toutes les directives fournies avec le bloc d'alimentation (BDCDMT112, BDCDMT120 ou BDEDMT) avant d'utiliser l'accessoire. Le non-respect des avertissements et des directives peut entraîner des risques de décharge électrique, d'incendie ou de blessures graves.

CONSIGNES DE SÉCURITÉ PARTICULIÈRES

- **Tenir l'outil électrique par sa surface de prise isolée dans une situation où l'accessoire de coupe pourrait entrer en contact avec un câble électrique dissimulé ou avec son propre cordon d'alimentation.** *Tout contact entre un fil « sous tension » et l'accessoire de coupe pourrait également mettre « sous tension » les pièces métalliques exposées de l'outil et électrocuter l'utilisateur.*
- **Utiliser des brides de fixation ou un autre dispositif de fixation permettant de fixer solidement et de soutenir la pièce sur une plateforme stable.** *Tenir la pièce avec la main ou contre son corps la rend instable et risque de provoquer une perte de maîtrise de l'outil.*
- **Lorsqu'on est installé sur une échelle ou un échafaudage pour travailler, on doit déposer l'outil sur le côté lorsqu'on ne s'en sert plus.** Bien que certains outils munis d'un gros bloc-piles puissent être placés à la verticale, dans cette position, ils peuvent facilement être renversés.
- **Tenir les mains éloignées de la zone de découpe.** Ne jamais mettre la main sous le matériau pour quelque raison que ce soit. Tenir la partie avant de la scie par sa zone de prise profilée. Ne pas mettre les doigts ou le pouce à proximité de la scie alternative et du mécanisme de serrage de la lame. Ne pas stabiliser la scie en saisissant la semelle.
- **Maintenir les lames affûtées.** Les lames émoussées peuvent faire zigzaguer la lame ou la bloquer sous la pression.
- **Au moment de couper un tuyau ou un conduit,** s'assurer qu'ils sont exempts d'eau, de câblage électrique, etc.
- **Attendre l'immobilisation complète du moteur avant de retirer la lame du trait de scie (la rainure créée par la lame en coupant).** En effet, une lame en mouvement risque de percuter la pièce et se briser, d'endommager la pièce ou de provoquer une perte de la maîtrise de l'outil, ce qui risquerait de provoquer des blessures corporelles.
- **Ne jamais tenir la pièce dans les mains, sur les genoux ou contre toute partie du corps en cours de découpe.** La scie pourrait glisser et la lame pourrait atteindre le corps et provoquer des blessures.
- **Maintenir les poignées sèches, propres, exemptes d'huile et de graisse.** Cela permet de mieux maîtriser l'outil.
- **Nettoyer l'outil régulièrement, particulièrement après une utilisation intensive.** La poussière et les saletés contenant des particules métalliques s'accumulent souvent sur les surfaces internes de l'outil et pourraient créer un risque de choc électrique.
- **Ne pas faire fonctionner cet outil durant de longues périodes.** Les vibrations causées par le fonctionnement de cet outil peuvent provoquer des blessures permanentes aux doigts, aux mains et aux bras. Utiliser des gants pour amortir davantage les vibrations, prendre de fréquentes périodes de repos et limiter la durée quotidienne d'utilisation.

⚠ AVERTISSEMENT : TOUJOURS porter des lunettes de sécurité. Les lunettes de vue ne constituent PAS des lunettes de sécurité. Utiliser également un masque facial ou anti-poussière si l'opération de découpe génère de la poussière. **TOUJOURS PORTER UN ÉQUIPEMENT DE PROTECTION HOMOLOGUÉ :**

- protection oculaire conforme à la norme ANSI Z87.1 (CAN/CSA Z94.3);
- protection auditive ANSI S12.6 (S3.19);
- protection des voies respiratoires conformes aux normes NIOSH/OSHA/MSHA.

⚠ AVERTISSEMENT : certains outils électriques, tels que les sableuses, les scies, les meules, les perceuses ou certains autres outils de construction, peuvent produire de la poussière contenant des produits chimiques reconnus par l'État de la Californie comme étant susceptibles d'entraîner le cancer, des malformations congénitales ou pouvant être nocifs pour le système reproductif. Parmi ces produits chimiques, on retrouve :

- le plomb dans les peintures à base de plomb,
- la silice cristalline dans les briques et le ciment et autres produits de maçonnerie,
- l'arsenic et le chrome dans le bois de sciage ayant subi un traitement chimique.

Le risque associé à de telles expositions varie selon la fréquence avec laquelle on effectue ces travaux. Pour réduire l'exposition à de tels produits, il faut travailler dans un endroit bien aéré et utiliser le matériel de sécurité approprié, tel un masque

anti-poussières spécialement conçu pour filtrer les particules microscopiques.

- Éviter tout contact prolongé avec la poussière soulevée par cet outil ou autres outils électriques. Porter des vêtements de protection et nettoyer les parties exposées du corps à l'eau savonneuse. S'assurer de bien se protéger afin d'éviter d'absorber par la bouche, les yeux ou la peau des produits chimiques nocifs.

⚠ AVERTISSEMENT : Cet outil peut produire et répandre de la poussière susceptible de causer des dommages sérieux et permanents au système respiratoire. Toujours utiliser un appareil respiratoire anti-poussières approprié approuvé par le NIOSH ou l'OSHA. Diriger les particules dans le sens opposé du visage et du corps.

⚠ AVERTISSEMENT : Porter les protecteurs auditifs appropriés durant l'utilisation de l'outil. Dans certaines conditions et selon la durée d'utilisation, le bruit engendré par ce produit peut contribuer à la perte de l'ouïe.

SYMBOLES

- L'étiquette apposée sur votre outil pourrait comprendre les symboles suivants. Les symboles et leurs définitions sont indiqués ci-après :

V..... volts	A..... ampères
Hz..... hertz	W..... watts
min..... minutes	~ courant alternatif
== courant continu	nO sous vide
Ⓜ..... Construction de classe I (mis à la terre)	Ⓜ borne de mise à la minute
Ⓜ Construction de classe II	⚠ symbole d'avertissement
.../min..... tours à la minute	
📖 Lire le mode d'emploi avant l'utilisation	
👤 Utiliser une protection respiratoire adéquate.	
👁 Utiliser une protection oculaire adéquate.	
👂 Utiliser une protection auditive adéquate.	

S'assurer que le cordon de rallonge est en bon état avant de s'en servir. Toujours utiliser un cordon de calibre approprié à l'outil; à savoir, le calibre approprié selon différentes longueurs de rallonge et fournissant la tension nécessaire à l'outil. L'utilisation d'un cordon de calibre inférieur entraîne une baisse de tension et la surchauffe de l'outil. Consulter le tableau plus bas pour connaître le calibre approprié des rallonges.

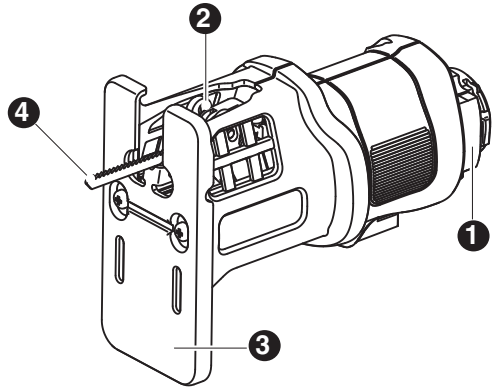
Tension	Calibre minimal des cordons de rallonge			
	Longueur totale du cordon en pieds			
120V	0-25	26-50	51-100	101-150
	(0-7,6m)	(7,6-15,2m)	(15,2-30,4m)	(30,4-45,7m)
240V	0-50	51-100	101-200	201-300
	(0-15,2m)	(15,2-30,4m)	(30,4-60,9m)	(60,9-91,4m)
Intensité (A)		Calibre moyen des fils (AWG)		
Au moins	Au plus			
0 - 6	18	16	16	14
6 - 10	18	16	14	12
10 - 12	16	16	14	12
12 - 16	14	12	Non recommandé	

CONSERVER CES DIRECTIVES

⚠ AVERTISSEMENT : Avant d'entreprendre l'une des actions suivantes, s'assurer que la lame de la scie est arrêtée et que la pile a été retirée. Les lames de scie utilisées peuvent être chaudes.

DESCRIPTION FONCTIONNELLE

1. Module de scie sauteuse
2. Mécanisme de serrage de lame
3. Semelle de scie
4. Lame de scie sauteuse



FONCTIONNEMENT

⚠ MISE EN GARDE : Risque de choc électrique. L'outil ne doit être utilisé près de l'eau en aucun temps.

⚠ AVERTISSEMENT : Risque de lacérations ou de brûlures. Ne pas toucher à la pièce ou à la lame immédiatement après avoir utilisé l'outil. En effet, elles peuvent devenir très chaudes. À manipuler avec précaution. Toujours laisser refroidir les accessoires et la pièce avant de les manipuler.

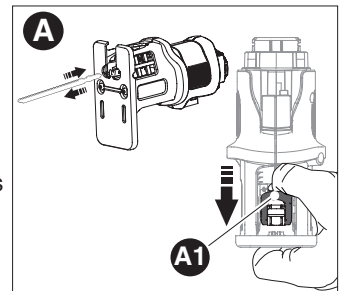
⚠ AVERTISSEMENT : Pour réduire le risque de blessures, éteindre l'outil et en retirer le bloc-piles ou débrancher la fiche de l'alimentation avant d'effectuer tout réglage ou de retirer ou d'installer tout module ou accessoire. Retirer tout accessoire du module avant le retrait ou l'installation du module.

REMARQUE : Consulter le mode d'emploi du bloc d'alimentation avant d'utiliser l'outil pour connaître tous les avertissements de sécurité et les détails au sujet de l'installation et du retrait des modules.

Installation et dépose d'une lame de scie (Figure A)

⚠ AVERTISSEMENT : Pour réduire le risque de blessure. Toujours débrancher l'outil avant de procéder aux étapes suivantes.

- Accéder au levier (A1) par l'arrière du module de scie sauteuse.
- Tenir le levier enfoncé avec le pouce.
- Insérer la lame de scie dans le mécanisme de serrage de lame comme dans l'illustration. S'assurer que les dents pointent vers l'avant.
- Relâcher le levier.
- Pour enlever la lame de scie, abaisser le levier et tirer la lame pour l'extraire.



Sciage

- To switch the tool on, press the variable speed switch on the power unit. The tool speed depends on how far you press the switch.
- To switch the tool off, release the variable speed switch.
- Toujours utiliser le bon type de lame de scie pour le matériau à couper et le type de coupe à effectuer.
- Au besoin, percer un trou dans la pièce près du point de départ de la coupe pour y insérer la lame avant d'amorcer la coupe.

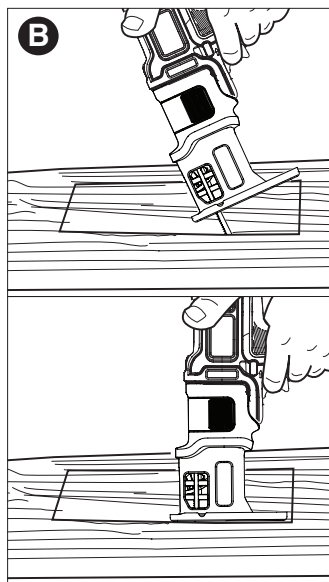
REMARQUE : Ce module ne fonctionne que vers l'avant. Le commutateur coulissant avant/arrière du bloc d'alimentation ne devrait pas être capable de commuter vers l'arrière.

Pour scier des pièces de bois (Figure B), il n'est pas nécessaire de percer un avant-trou :

- Marquer le point de départ désiré.
- Incliner l'outil vers l'avant et placer le bord avant arrondi de la semelle de la scie contre la pièce.
- Allumer l'outil et engager lentement la lame de scie dans la pièce au point de départ désiré.

Pour couper de la tôle :

- Utiliser une lame à métaux. Avec une pince, fixer un morceau de contreplaqué ou de bois mou à l'arrière de la pièce et scier à travers les deux pour obtenir une coupe nette.
- Ne pas forcer la lame de scie à entamer la pièce. Il est à noter que la coupe de la tôle prend normalement plus de temps que le sciage de pièces de bois plus épaisses.
- Étaler une fine couche d'huile sur la ligne de coupe avant de scier.
- Pour couper, placer l'avant de la semelle sur le matériel à couper. Tenir fermement la semelle de la scie sauteuse contre le matériel pendant la coupe. Ne pas forcer l'outil; laisser la lame couper à sa propre vitesse.



Pour couper les stratifiés :

- Utiliser une lame qui coupe vers le bas. Couper les stratifiés minces avec la surface arrière vers le haut puisque le côté de la pièce face à la semelle de scie est le plus susceptible de se briser en éclat.
- Pour obtenir des coupes nettes, fixer avec une pince un morceau de contreplaqué ou de bois dur au-dessus et en dessous du stratifié, et couper à travers ces couches superposées.

DÉPANNAGE

Problème

- L'appareil refuse de démarrer

Cause possible

- Le module n'est pas solidement fixé.

Solution possible

- S'assurer que le module est poussé entièrement dans le bloc d'alimentation.

Pour de l'aide avec l'outil, consulter notre site Web www.blackanddecker.com pour l'emplacement du centre de réparation le plus près ou communiquer avec l'assistance BLACK & DECKER au **1-800-544-6986**.

REMARQUE : Consulter le mode d'emploi du bloc d'alimentation pour trouver des solutions de dépannage en cas de défaut de fonctionnement.

ENTRETIEN

Nettoyer l'outil seulement à l'aide d'un savon doux et d'un linge humide. Ne laisser aucun liquide s'infiltrer dans l'outil et ne jamais immerger l'outil.

IMPORTANT : Pour assurer la SÉCURITÉ D'EMPLOI et la FIABILITÉ de l'outil, n'en confier la réparation, l'entretien et les ajustements qu'à un centre de service ou à un atelier d'entretien autorisé n'utilisant que des pièces de rechange identiques.

ACCESSOIRES

⚠ AVERTISSEMENT : L'utilisation de tout accessoire non recommandé pour l'outil peut être dangereuse.

Les détaillants et le centre de service de la région vendent les accessoires recommandés pour l'outil. Pour trouver un accessoire, composer le **1 800 544-6986**.

Cet appareil est conforme aux dispositions du paragraphe 15 des règlements de la FCC. Son fonctionnement est régi par les deux conditions suivantes : (1) Cet appareil ne peut pas causer d'interférence nuisible et (2) cet appareil doit accepter toutes les interférences reçues, y compris celles qui risquent d'en gêner le fonctionnement.

REMARQUE : ce matériel a été testé et a été déclaré conforme aux limites en vigueur concernant les dispositifs numériques de classe B, en vertu de la partie 15 de la réglementation FCC. Ces limites visent à assurer une protection raisonnable contre tout brouillage nuisible dans une installation résidentielle. Ce matériel produit, consomme et peut émettre une énergie de radiofréquence et, s'il n'est pas installé et utilisé conformément aux directives qui l'accompagnent, il peut entraîner un brouillage nuisible des communications radio. Cependant, nous ne garantissons pas l'absence de brouillage dans tous les types d'environnement. Si, après avoir effectué une vérification en mettant l'appareil hors tension puis sous tension, l'utilisateur s'aperçoit que ce matériel provoque un brouillage nuisible à la réception des signaux de radio ou de télévision, il lui faudra essayer de corriger ce brouillage en prenant une ou plusieurs des mesures ci-dessous :

- Réorienter ou repositionner l'antenne de réception.
- Éloigner le plus possible le matériel du récepteur.
- Brancher le matériel dans une prise électrique située sur un circuit différent de celui du récepteur.
- Consulter le distributeur ou un technicien radio/télévision expérimenté pour obtenir de l'aide.

Tout changement ou toute modification à cet appareil qui n'est pas expressément approuvé par l'institution responsable de la conformité peut faire annuler le droit de l'utilisateur d'utiliser ce matériel. Cet appareil numérique de la classe B est conforme à la norme NMB-003 du Canada.

INFORMATION SUR LES RÉPARATIONS

Tous les centres de réparation Black & Decker sont dotés de personnel qualifié en matière d'outillage électrique; ils sont donc en mesure d'offrir à leur clientèle un service efficace et fiable. Que ce soit pour un avis technique, une réparation ou des pièces de rechange authentiques installées en usine, communiquer avec l'établissement Black & Decker le plus près de chez vous. Pour trouver l'établissement de réparation de votre région, consulter le répertoire des Pages jaunes à la rubrique « Outils électriques » ou composer le numéro suivant : **1-800-544-6986** ou consulter le site www.blackanddecker.com

GARANTIE COMPLÈTE DE DEUX ANS POUR UNE UTILISATION DOMESTIQUE

Black & Decker (É.-U.) Inc. garantit ce produit pour une durée de deux ans contre tout défaut de matériau ou de fabrication. Le produit défectueux sera remplacé ou réparé sans frais de l'une des deux façons suivantes :

La première façon consiste en un simple échange chez le détaillant qui l'a vendu (pourvu qu'il s'agisse d'un détaillant participant). Tout retour doit se faire durant la période correspondant à la politique d'échange du détaillant (habituellement, de 30 à 90 jours après l'achat). Une preuve d'achat peut être requise. Vérifier auprès du détaillant pour connaître sa politique concernant les retours hors de la période définie pour les échanges.

La deuxième option est d'apporter ou d'envoyer le produit (transport payé d'avance) à un centre de réparation autorisé ou à un centre de réparation de Black & Decker pour faire réparer ou échanger le produit, à notre discrétion. Une preuve d'achat peut être requise. Les centres Black & Decker et les centres de service autorisés sont répertoriés dans les pages jaunes, sous la rubrique « Outils électriques ».

Cette garantie ne s'applique pas aux accessoires. Cette garantie vous accorde des droits légaux spécifiques et vous pourriez avoir d'autres droits qui varient d'un État ou d'une province à l'autre. Pour toute question, communiquer avec le directeur du centre de réparation Black & Decker le plus près de chez vous. Ce produit n'est pas destiné à un usage commercial.

REPLACEMENT GRATUIT DES ÉTIQUETTES D'AVERTISSEMENT : si les étiquettes d'avertissement deviennent illisibles ou sont manquantes, composer le **1-800-544-6986** pour en obtenir le remplacement gratuit.

AMÉRIQUE LATINE : cette garantie ne s'applique pas aux produits vendus en Amérique latine. Pour ceux-ci, veuillez consulter les informations relatives à la garantie spécifique présente dans l'emballage, appeler l'entreprise locale ou consulter le site Web pour les informations relatives à cette garantie.

Imported by / Importé par
Black & Decker Canada Inc.
100 Central Ave.
Brockville (Ontario) K6V 5W6

**Voir la rubrique
"Outils électriques"
des Pages Jaunes
pour le service et les ventes.**

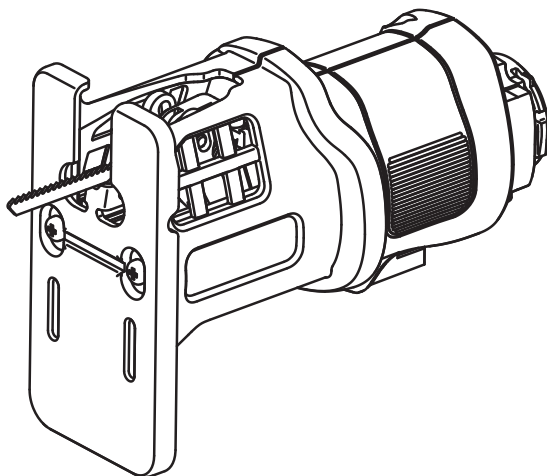
BLACK&DECKER®

MATRIX™

ADITAMENTO DE SIERRA CALADORA

MANUAL DE INSTRUCCIONES

Catálogo N°
BDCMTJS



**Gracias por elegir Black & Decker!
Visite www.BlackandDecker.com/NewOwner
para registrar su nuevo producto.**

**LEA EL MANUAL ANTES DE DEVOLVER
ESTE PRODUCTO POR CUALQUIER MOTIVO:**

Si tiene una consulta o algún inconveniente con su producto Black & Decker, visite
[HTTP://WWW.BLACKANDDECKER.COM/INSTANTANSWERS](http://WWW.BLACKANDDECKER.COM/INSTANTANSWERS)

Si no encuentra la respuesta o no tiene acceso a Internet, llame al 1-800-544-6986 de
lunes a viernes de 8 a.m. a 5 p.m. hora del Este para hablar con un agente.

Cuando llame, tenga a mano el número de catálogo.

CONSERVE ESTE MANUAL PARA FUTURAS CONSULTAS.

⚠️ ADVERTENCIA: Lea todas las advertencias de seguridad e instrucciones. El incumplimiento de las advertencias e instrucciones puede provocar descargas eléctricas, incendios o lesiones graves.

Conserve todas las advertencias e instrucciones para futuras consultas.

⚠️ ADVERTENCIA: Lea todas las advertencias de seguridad y todas las instrucciones que vienen con la unidad motriz (BDCDMT112, BDCDMT120 o BDEDMT) antes de utilizar este accesorio. El incumplimiento de las advertencias e instrucciones puede provocar una descarga eléctrica, un incendio y/o lesiones graves.

Normas específicas de seguridad

- **Sostenga la herramienta por sus superficies de empuñadura aisladas cuando realice una operación en la cual la herramienta para cortar pudiera entrar en contacto con instalaciones eléctricas ocultas o con su propio cable.** El contacto con un cable cargado, cargará a su vez las partes metálicas expuestas de la herramienta y dará un golpe de corriente al operador.
- **Utilice abrazaderas u otra forma práctica para asegurar y sostener la pieza de trabajo sobre una plataforma estable.** Sostener el trabajo con la mano o contra el cuerpo no brinda la estabilidad requerida y puede llevar a la pérdida del control.
- **Cuando trabaje en una escalera o una plataforma asegúrese de dejar la herramienta de lado cuando no la use.** Algunas herramientas con baterías grandes se paran sobre su base, pero se pueden volcar fácilmente.
- **Mantenga las manos lejos de las zonas de corte.** Nunca se estire por debajo del material por ningún motivo. Sostenga la parte frontal de la sierra desde el área de sujeción contorneada. No inserte los dedos en la zona cercana a la hoja alternativa y a la abrazadera de la hoja. No establezca la sierra sujetando la zapata.
- **Mantenga las hojas afiladas.** Las hojas sin filo pueden hacer que la sierra se desvíe o atasque al recibir presión.
- **Al cortar tuberías o conductos,** asegúrese de que no contengan agua, cableado eléctrico, etc.
- **Espera a que el motor se detenga por completo antes de retirar la hoja del indicador de corte (la ranura creada al cortar).** Una hoja en movimiento puede hacer impacto en la pieza de trabajo provocando la rotura de una hoja, daños en la pieza de trabajo o pérdida de control y posibles lesiones personales.
- **Al aserrar, nunca sostenga el trabajo en la mano, en el regazo ni contra partes del cuerpo.** La sierra puede deslizarse y la hoja puede entrar en contacto con el cuerpo, lo que ocasionaría lesiones personales.
- **Mantenga los mangos secos, limpios y sin restos de aceite ni grasa.** Éstos permitirán controlar la herramienta de mejor manera.
- **Limpie su herramienta con frecuencia, especialmente después de un uso intensivo.** A menudo se acumulan sobre las superficies interiores polvo y suciedad que contienen partículas metálicas, que pueden provocar riesgo de descarga eléctrica.
- **No haga funcionar esta herramienta durante periodos prolongados.** La vibración que produce el funcionamiento de esta herramienta puede provocar lesiones permanentes en dedos, manos y brazos. Use guantes para proveer amortiguación adicional, tome descansos frecuentes y limite el tiempo diario de uso.

⚠️ ADVERTENCIA: USE SIEMPRE LENTES DE SEGURIDAD. Los anteojos de uso diario NO son lentes de seguridad. Utilice también máscaras faciales o para polvo si el corte produce polvillo. UTILICE SIEMPRE EQUIPOS DE SEGURIDAD CERTIFICADOS:

- Protección para los ojos según la norma ANSI Z87.1 (CAN/CSA Z94.3)
- Protección auditiva según la norma ANSI S12.6 (S3.19)
- Protección respiratoria según las normas NIOSH/OSHA/MSHA

⚠️ ADVERTENCIA: parte del polvo producido por las herramientas eléctricas al lijar, aserrar, esmerilar, taladrar y realizar otras actividades de la construcción, contiene productos químicos reconocidos por el Estado de California como causantes de cáncer,

defectos de nacimiento u otros problemas reproductivos. Algunos de estos productos químicos son:

- el plomo de las pinturas de base plomo,
- la sílice cristalina de ladrillos, el cemento y otros productos de mampostería, y
- el arsénico y el cromo de la madera con tratamiento químico.

El riesgo derivado de estas exposiciones varía según la frecuencia con la que se realice este tipo de trabajo. Para reducir la exposición a estos productos químicos: trabaje en áreas bien ventiladas y trabaje con equipos de seguridad aprobados, como las máscaras para polvo especialmente diseñadas para filtrar las partículas microscópicas.

- **Evite el contacto prolongado con el polvo procedente del lijado, serrado, esmerilado y taladrado eléctricos, así como de otras actividades del sector de la construcción. Lleve ropa protectora y lave con agua y jabón las zonas expuestas.** Si permite que el polvo se introduzca en la boca u ojos o quede sobre la piel, puede favorecer la absorción de productos químicos peligrosos.

⚠ ADVERTENCIA: El uso de esta herramienta puede generar o dispersar polvo lo cual puede causar lesiones respiratorias serias y permanentes y otros tipos de lesión. Siempre use protección respiratoria aprobada por NIOSH/OSHA para la exposición al polvo. Dirija las partículas en dirección opuesta a su cara y cuerpo.

⚠ ADVERTENCIA: Utilice protección para los oídos durante el uso. Bajo ciertas condiciones y duración de uso, el ruido de este producto puede contribuir a una pérdida del uso del oído.

SÍMBOLOS

- La etiqueta de su herramienta puede incluir los siguientes símbolos. Los símbolos y sus definiciones son los siguientes:

V voltios

A amperios

Hz hertz

W vatios

min minutos

~ corriente alterna

— — — corriente directa

n_o no velocidad sin carga

Ⓜ Construcción Clase I
(mis à la terre)

Ⓧ terminal a tierra

Ⓜ Construcción de clase II

⚠ simbolo de alerta

.../min revoluciones o minuto seguridad

📖 Lea el manual de instrucciones antes del uso

👤 Use protección adecuada para las vías respiratorias

👁 Use protección adecuada para los ojos

👂 Use protección adecuada para los oídos

- Cuando use un alargador, asegúrese de usar uno de un calibre suficiente como para cargar con la corriente que requerirá su producto. Un alargador de menor calibre causará una caída en el voltaje de la línea lo que resultará en pérdida de potencia y sobrecalentamiento. El siguiente cuadro muestra el tamaño correcto a utilizar, dependiendo del largo del cable y el amperaje nominal. En caso de duda, utilice el de mayor calibre. Mientras menor el número del calibre, mayor la capacidad del cable.

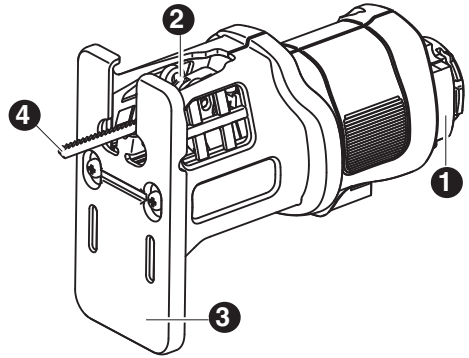
Calibre mínimo para cables de extensión					
Volts	Longitud total del cable en pies				
120V	0-25	26-50	51-100	101-150	
	(0-7,6m)	(7,6-15,2m)	(15,2-30,4m)	(30,4-45,7m)	
240V	0-50	51-100	101-200	201-300	
	(0-15,2m)	(15,2-30,4m)	(30,4-60,9m)	(60,9-91,4m)	
Amperaje					
	Más de	No más de	American Wire Gage		
0	- 6	18	16	16	14
6	- 10	18	16	14	12
10	- 12	16	16	14	12
12	- 16	14	12	No se recomienda	

CONSERVE ESTAS INSTRUCCIONES

⚠ ADVERTENCIA: Antes de intentar cualquiera de las siguientes operaciones, asegúrese de que la hoja de la sierra se haya detenido y de haber quitado la batería. Las hojas de la sierra que se utilizaron pueden estar calientes.

DESCRIPCIÓN FUNCIONAL

1. Aditamento de sierra caladora
2. Abrazadera de la hoja
3. Zapata de la sierra
4. Hoja de sierra caladora



OPERACIÓN

⚠ PRECAUCIÓN: Riesgo de descarga eléctrica. Bajo ninguna circunstancia utilice este producto cerca de agua.

⚠ ADVERTENCIA: Riesgo de laceraciones o quemaduras. No toque la pieza de trabajo ni la hoja inmediatamente después de hacer funcionar la herramienta. Pueden calentarse mucho. Manipúlelas con cuidado. Siempre espere a que los accesorios y la pieza de trabajo se enfríen antes de manipularlos.

⚠ ADVERTENCIA: Para reducir el riesgo de lesiones, apague la herramienta y quítele la batería o desconecte el enchufe de la fuente de alimentación antes de realizar cualquier ajuste o de quitar o instalar aditamentos o accesorios. Quite todo accesorio del aditamento antes de quitar o instalar el aditamento.

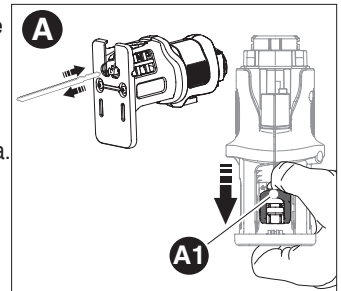
NOTA: Consulte el manual de instrucciones de la unidad motriz antes de utilizar esta herramienta para conocer todas las advertencias y detalles sobre la instalación y extracción de aditamentos.

Colocación y extracción de una hoja para sierra (Figura A)

⚠ ADVERTENCIA: Para reducir el riesgo de lesiones.

Desconecte siempre el producto de la toma de corriente antes de cualquiera de las siguientes operaciones.

- Acceda a la palanca (A1) a través de la parte posterior del aditamento de sierra caladora.
- Mantenga oprimida la palanca con el pulgar.
- Inserte la hoja para sierra en la abrazadera de la hoja como se muestra. Asegúrese de que los dientes apunten hacia la parte delantera.
- Suelte la palanca.
- Para quitar la hoja para sierra, oprima la palanca hacia abajo y sáqueala del sujetador.



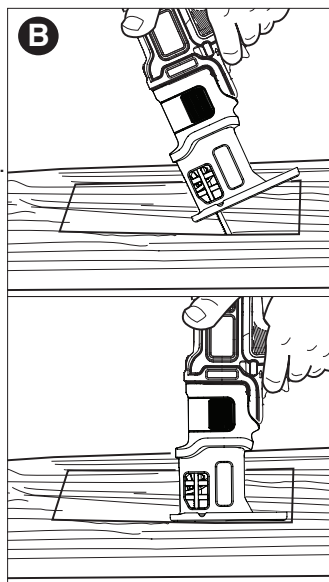
Aserrado

- Para encender la herramienta, oprima el **interruptor de velocidad variable**. La velocidad de la herramienta depende de cuánto presione el interruptor.
- Para apagar la herramienta, suelte el interruptor de velocidad variable.
- Siempre utilice el tipo de hoja para sierra adecuado para el material de la pieza de trabajo y el tipo de corte.
- Si es necesario, taladre un orificio en la pieza de trabajo cerca del punto de inicio del corte para que la hoja entre antes de iniciar el corte.

NOTA: Este aditamento funciona únicamente en la dirección de avance; no debiera ser posible cambiar a reversa el interruptor deslizante de avance/reversa de la unidad motriz.

Para cortar piezas de trabajo de madera (Figura B), no es necesario taladrar un agujero piloto:

- Marque el punto de inicio deseado.
- Incline la herramienta hacia adelante y apoye el borde delantero redondo de la zapata de la sierra sobre la pieza de trabajo.
- Encienda la herramienta y avance la hoja de la sierra lentamente en la pieza de trabajo en el punto de inicio deseado.



Para cortar láminas metálicas:

- Utilice una hoja para corte en metal. Sujete una pieza de madera contrachapada o blanda detrás de la pieza de trabajo y corte a través de ambas para obtener un corte limpio.
- No introduzca la hoja de la sierra a la fuerza en la pieza de trabajo. Tenga presente que el corte de láminas metálica normalmente tomará más tiempo que cortar piezas de trabajo de madera más gruesas.
- Aplique una película delgada de aceite a lo largo de la línea de corte antes de cortar.
- Para cortar, coloque la parte delantera de la zapata sobre el material a cortar. Sostenga la zapata de la sierra caladora firmemente contra el material mientras corta. No fuerce la herramienta; deje que la hoja realice el corte a su propia velocidad.

Para cortar laminados:

- Utilice una hoja para corte hacia abajo. Corte laminados delgados con la superficie posterior mirando hacia arriba, ya que es más probable que se produzcan astillas en el lado de la pieza de trabajo que enfrenta la zapata de la sierra.
- Para obtener cortes limpios, sujete una pieza de madera contrachapada o chapa de madera dura a ambos lados del laminado y corte a través del paredado resultante.

DETECCIÓN DE PROBLEMAS

<u>Problema</u>	<u>Causa posible</u>	<u>Solución posible</u>
• La unidad no enciende.	• El accesorio no está asegurado.	• Asegúrese de empujar por completo el accesorio dentro de la unidad motriz.

Para recibir asistencia con su producto, visite nuestro sitio web www.blackanddecker.com para conocer la ubicación del centro de mantenimiento más cercano o llame a la línea de ayuda de BLACK & DECKER al **1-800-544-6986**.

NOTA: Consulte el manual de instrucciones de la unidad motriz para conocer las soluciones a los problemas relacionados con la operación de la unidad motriz.

MANTENIMIENTO

Utilice únicamente jabón suave y un trapo húmedo para limpiar la herramienta. Nunca permita que se introduzcan líquidos en la herramienta; nunca sumerja ninguna parte de la herramienta en ningún líquido. **IMPORTANTE:** Para garantizar la SEGURIDAD y la CONFIABILIDAD del producto, las reparaciones, el mantenimiento y los ajustes deberán efectuarse en centros de servicio autorizado u otras organizaciones de servicio calificado, que utilicen siempre refacciones idénticas.

ACCESORIOS

⚠ **ADVERTENCIA:** El uso de accesorios no recomendados para utilizar con esta herramienta puede resultar peligroso.

Los accesorios que se recomiendan para la herramienta están disponibles en su distribuidor local o en el centro de servicio autorizado. Si necesita ayuda con respecto a los accesorios, llame al: **1-800-544-6986**.

Este mecanismo cumple con la parte 15 de las normas de la Comisión Federal de Comunicaciones de Estados Unidos (FCC). La operación está sujeta a las dos condiciones siguientes: (1) Este mecanismo posiblemente no cause interferencia perjudicial; y (2) este mecanismo puede aceptar cualquier interferencia recibida, incluso interferencia que podría provocar una operación no deseada.

NOTA: Este equipo ha sido probado y se encontró que cumple con los límites para dispositivo digital Clase B, según la parte 15 de las normas de la FCC. Estos límites están diseñados para brindar protección razonable contra interferencia perjudicial en una instalación residencial. Este equipo genera, usa y puede irradiar energía en frecuencia de radio y, si no se instala y se usa de acuerdo con las instrucciones, puede provocar interferencia perjudicial en las comunicaciones de radio. Sin embargo, no hay garantía de que la interferencia no ocurra en una instalación en particular. Si este equipo provoca interferencia perjudicial en la recepción de radio o televisión, lo que se puede determinar al apagar y encender el equipo, el usuario debe tratar de corregir la interferencia mediante una o más de las siguientes medidas:

- Cambiar la orientación o la ubicación de la antena de recepción.
- Aumentar la separación entre el equipo y el receptor.
- Conectar el equipo a un tomacorriente sobre un circuito diferente de aquel al que está conectado el receptor.
- Consultar al vendedor o pedir la ayuda de un técnico en radio y televisión con experiencia.

Los cambios o las modificaciones que se le realicen a esta unidad sin aprobación expresa del tercero responsable del cumplimiento pueden anular la autorización del usuario para operar el equipo. Este aparato digital de la clase B se conforma con ICES-003 canadiense.

INFORMACIÓN DE MANTENIMIENTO

Todos los Centros de servicio de Black & Decker cuentan con personal altamente capacitado dispuesto a brindar a todos los clientes un servicio eficiente y confiable en la reparación de herramientas eléctricas. Si necesita consejo técnico, reparaciones o piezas de repuesto originales de fábrica, póngase en contacto con el centro de servicio de Black & Decker más cercano a su domicilio. Para ubicar su centro de servicio local, consulte la sección “Herramientas eléctricas” (Tools-Electric) de las páginas amarillas, llame al **1-800-544-6986** o visite nuestro sitio **www.blackanddecker.com**.

GARANTÍA COMPLETA DE DOS AÑOS PARA USO EN EL HOGAR

Black & Decker (Estados Unidos) Inc. ofrece una garantía de dos años por cualquier defecto del material o de fabricación de este producto. El producto defectuoso se reparará o reemplazará sin costo alguno de dos maneras.

La primera opción, el reemplazo, es devolver el producto al comercio donde se adquirió (siempre y cuando se trate de un comercio participante). Las devoluciones deben realizarse conforme a la política de devolución del comercio (generalmente, entre 30 y 90 días posteriores a la venta). Le pueden solicitar comprobante de compra. Consulte en el comercio acerca de la política especial sobre devoluciones una vez excedido el plazo establecido.

La segunda opción es llevar o enviar el producto (con flete pago) a un Centro de servicio propio o autorizado de Black & Decker para su reparación o reemplazo según nuestro criterio. Le pueden solicitar el comprobante de compra. Los Centros de servicio autorizados y de propiedad de Black & Decker se detallan en la sección

“Herramientas eléctricas” (Tools-Electric) de las páginas amarillas de la guía telefónica.

Esta garantía no se extiende a los accesorios. Esta garantía le concede derechos legales específicos; usted puede tener otros derechos que pueden variar según el estado o la provincia. Si tiene alguna pregunta, comuníquese con el gerente del Centro de servicio de Black & Decker de su zona. Este producto no está diseñado para uso comercial.

REEMPLAZO DE LAS ETIQUETAS DE ADVERTENCIA

Si sus etiquetas de advertencia se vuelven ilegibles o faltan, llame al (888) 848-5175 para que se las reemplacen gratuitamente.

AMÉRICA LATINA: esta garantía no se aplica a los productos que se venden en América Latina. Para los productos que se venden en América Latina, debe consultar la información de la garantía específica del país que viene en el empaque, llamar a la compañía local o visitar el sitio Web a fin de obtener esa información.

**· GARANTÍA BLACK & DECKER · BLACK & DECKER WARRANTY
· SOLAMENTE PARA PROPOSITOS DE MEXICO**

Distributor Name · **Sello firma del distribuidor**

Date of purchase · **Fecha de compra**

Invoice No. · No. de factura

PRODUCT INFORMATION · IDENTIFICACIÓN DEL PRODUCTO

Cat. No. · **Catalogo ó Modelo**

Serial Number · No. de serie

Name · **Nombre**

Last Name · Apellido

Address · **Dirección**

City · **Ciudad**

State · Estado

Postal Code · **Código Postal**

Country · País

Telephone · **No. Teléfono**

ESTA GARANTIA NO APLICA CUANDO:

El producto se hubiese utilizado en condiciones distintas a las normales.

El producto no hubiese sido operado de acuerdo con el instructivo de uso que se acompaña.

El producto hubiese sido alterado o reparado por personas no autorizadas por nosotros.

Importador: Black & Decker S.A. de .C.V

Bosque de Cidros Acceso Radiatas No.42

3ra.Seccion de Bosques de las lomas

C.P.05120, Mexico, D.F. Tel: (01 55) 5326 7100

SOLAMENTE PARA PROPOSITOS DE MEXICO

Grupo Realsa en herramientas, S.A. de C.V.

Súper Manzana 69 MZ.01 Lote 30
(Av. Torcasita)
Col. Puerto Juárez
Cancún, Quintana Roo
Tel. 01 998 884 72 27

Ferre Pat de Puebla, S.A. de C.V.

16 de Septiembre No. 6149
Col. El Cerrito
Puebla, Puebla
Tel. 01 222 264 12 12

Ferre Pat de Puebla, S.A. de C.V.

Ejército Mexicano No. 15
Col. Ejido 1ro. de Mayo
Boca del Rio, Veracruz
Tel. 01 229 167 89 89

Servicio de Fabrica Black & Decker, S.A. de C.V.

Lázaro Cardenas No. 18
Col. Obrera
Distrito Federal
Tel. 55 88 95 02

Representaciones Industriales Robles, S.A. de C.V.

Tezozomoc No. 89
Col. La Preciosa
Distrito Federal
Tel. 55 61 86 82

Gpo. Comercial de Htas. y Refacciones de Occidente, S.A. de C.V.

Av. La Paz No. 1779
Col. Americana, S. Juárez
Guadalajara, Jalisco
Tel. 01 33 38 25 69 78

Herramientas y Equipos Profesionales

Av. Colón 2915 Ote.
Col. Francisco I. Madero
Monterrey, Nvo. León
Tel. 01 81 83 54 60 06

Htas. Portátiles de Chihuahua, S.A. de C.V.

Av. Universidad No. 2903
Col. Fracc. Universidad
Chihuahua, Chihuahua
Tel. 01 614 413 64 04

Fernando González Armenta

Bolivia No. 605
Col. Felipe Carrillo Puerto
Cd. Madero, Tampico
Tel. 01 833 221 34 50

Perfiles y Herramientas de Morelia

Gertrudis Bocanegra No. 898
Col. Ventura Puente
Morelia, Michoacán
Tel. 01 443 313 85 50

Enrique Robles

Av. de la Solidaridad No. 12713
Col. La Pradera
Irapuato, Guanajuato
Tel. 01 462 626 67 39

Hernández Martínez Jeanette

Prolongación Corregidora Nte. No. 1104
Col. Arboledas
Queretaro, Qro.
Tel. 01 442 245 25 80

PARA OTRAS LOCALIDADES LLAME AL 01 800 847 2309 o 01 800 847 2312.

**Vea "Herramientas
eléctricas (Tools-Electric)"
– Páginas amarillas –
para Servicio y ventas**



**BLACK & DECKER S.A. DE C.V.
BOSQUES DE CIDROS ACCESO RADIATAS NO. 42
COL. BOSQUES DE LAS LOMAS.
05120 MÉXICO, D.F.
TEL. (01 55) 5326 7100
01 800 847 2309/01 800 847 2312**