

BEKO

BKK 1600P

Stand Fan

User's Manual



This product has been produced in environmentally friendly, modern facilities

Dear customer,

We would like our product, which is manufactured in modern facilities and which has been subject to detailed quality control process, to provide you with the highest productivity. Therefore, we would like you to read this manual thoroughly before you start using the product

and we would like you to keep it as a reference.

BEKO



CONTENTS



Part 1 : Safety Warning / 3



Part 2 : Technical Aspects of
your machine / 4-10



Part 3 : Using your machine / 11-13



Part 4 : Maintenance and Cleaning / 14

Part 1: Safety Warning



Do not ever plug the fan without finishing the assembly



Keep away from children.



Before plugging the fan, make sure that the source power is the same as the declared voltage on the model sticker.



Do not ever use your fan with wet hands.



Make sure that speed setting switch is in position "0" before plugging your fan.



Before moving your fan be sure that the speed setting switch is in position "0" and it is unplugged.

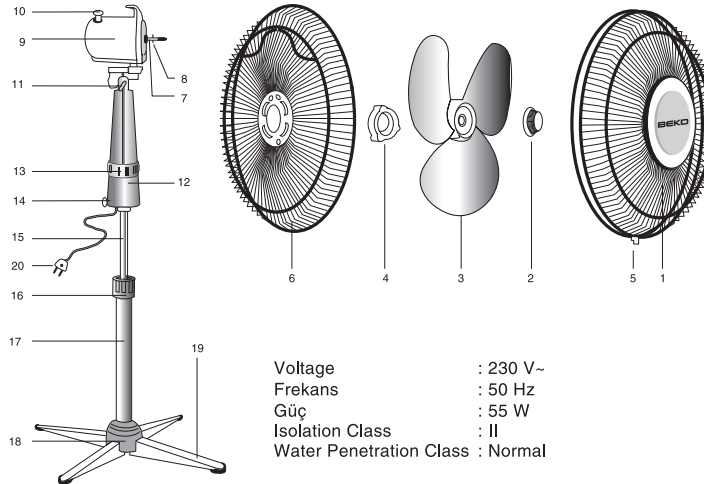


Always place your fan on stable surfaces, keep away from watery places like bath tub, swimming pool and shower.



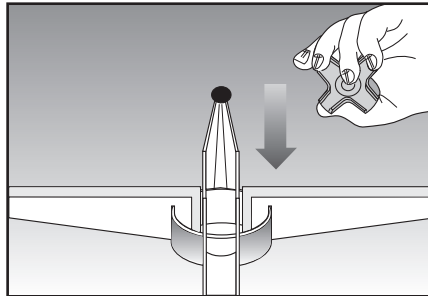
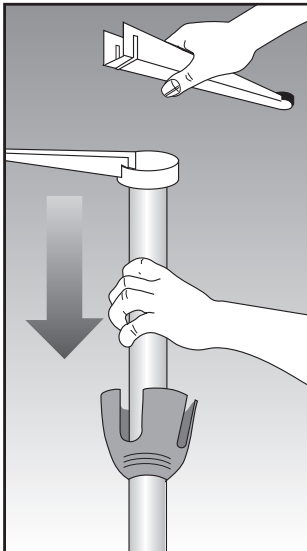
Part 2: Technical Aspects of Your Machine

- 1 Front guard
- 2 Blade fixing nut
- 3 Blade
- 4 Guard fixing nut
- 5 Guard lock
- 6 Rear guard
- 7 Motor shaft
- 8 Pin
- 9 Motor
- 10 Oscillating knob
- 11 Butterfly screw
- 12 Body
- 13 Speed setting
- 14 Body joint screw
- 15 Height adjustment tube
- 16 Height adjustment ring
- 17 Diagonal base tube
- 18 Plastic base cover
- 19 Bases
- 20 Supply cord



Note: The values indicated on the indicators of the product or on other printed documents that are provided with the machine are obtained at laboratory surroundings according to related standards. These values may change according to usage of the machine and the conditions of the environment in which the machine is used.

Part 2: Technical Aspects of Your Machine



Fan Assembly and Preparation to Use

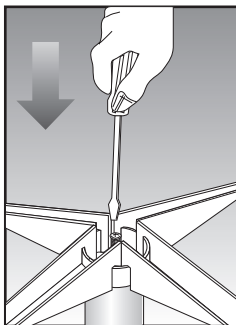
You can assembly your fan with only a screwdriver.

Assembly of the Base

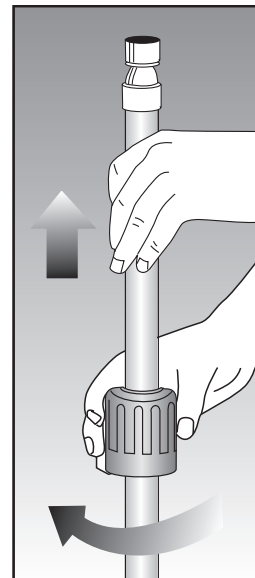
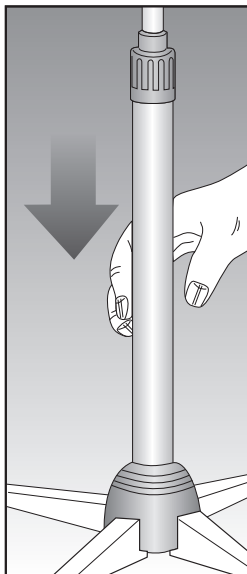
- 1- Turn the diagonal base upside down
- 2- Place the bases into the tube through the bases.

ATTENTION: Do not make assembly if your fan is broken or damaged.

Part 2: Technical Aspects of Your Machine

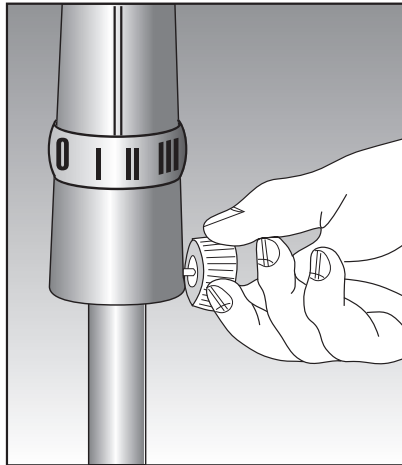
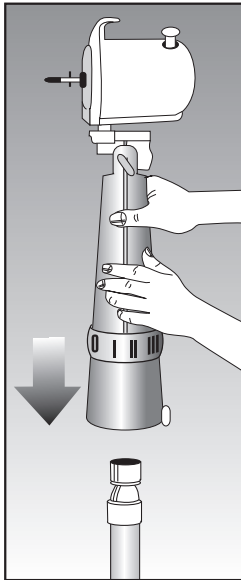


- 3- After centering the base fixing nut, securely screw from the center.
- 4- Place the plastic base cover on the bases by slipping on the tube
- 5- Raise the height adjustment tube 5 - 10 cm and fix the height adjustment ring.





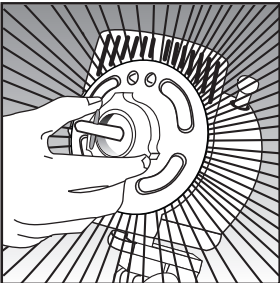
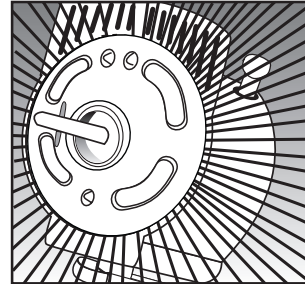
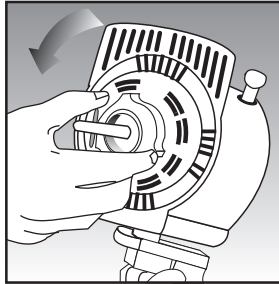
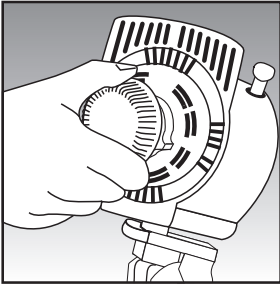
Part 2: Technical Aspects of Your Machine



Motor assembly to the Bases

Place the height adjustment tube to the housing on the rear motor body and fix on the back.

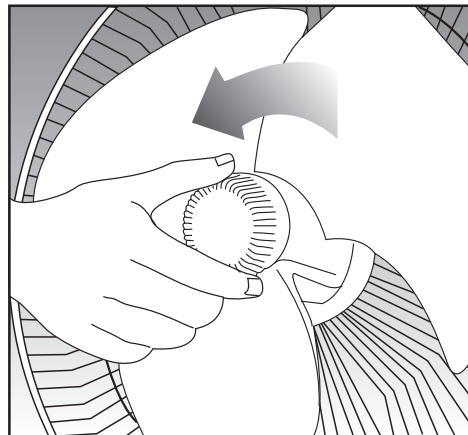
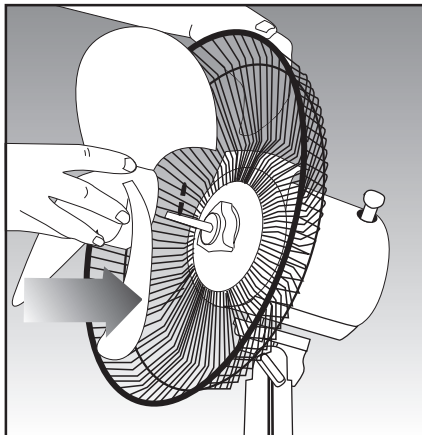
Part 2: Technical Aspects of Your Machine



Rear Guard Assembly

- 1- Take out the blade fixing nut from the pivot by turning clockwise.
- 2- Take out rear guard joint nut by turning counter clockwise
- 3- Place the rear guard by locating the 3 bars on the motor to the 3 holes on the guard.
- 4- Put the joint nut into place and fix by turning clockwise.

Part 2: Technical Aspects of Your Machine



Blade Assembly

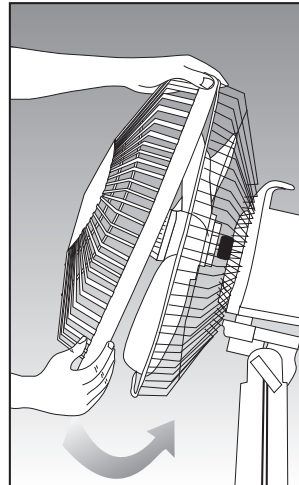
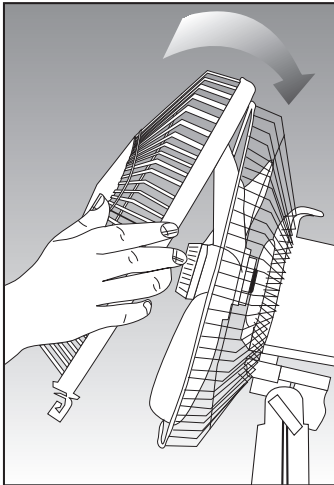
Place the blade by aligning with the hole and the motor shaft.

The operation should be done properly. Otherwise the blade will turn in space and damage the product.

Fix the blade fixing nut by turning counter clockwise according to the direction given on the nut.



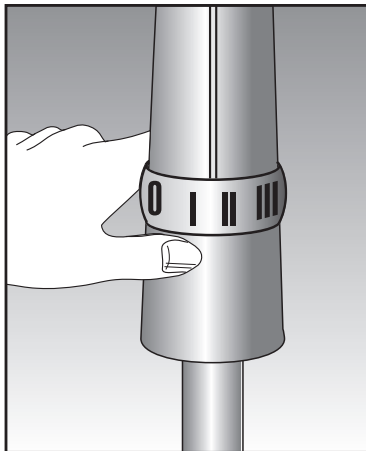
Part 2: Technical Aspects of Your Machine



Front Guard Assembly

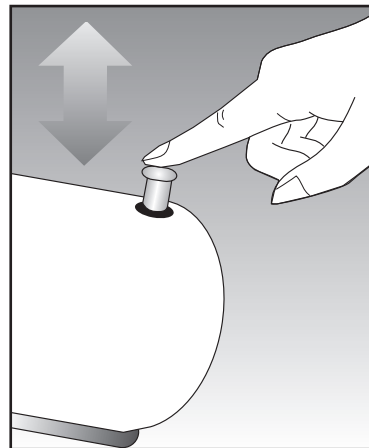
Place the front guard onto the rear guard make sure that they're jointed as a whole on the top. Then join the whole circle. Finally push the below latch upwards and lock the guards together.

Part 3: Using Your Machine



Speed Setting

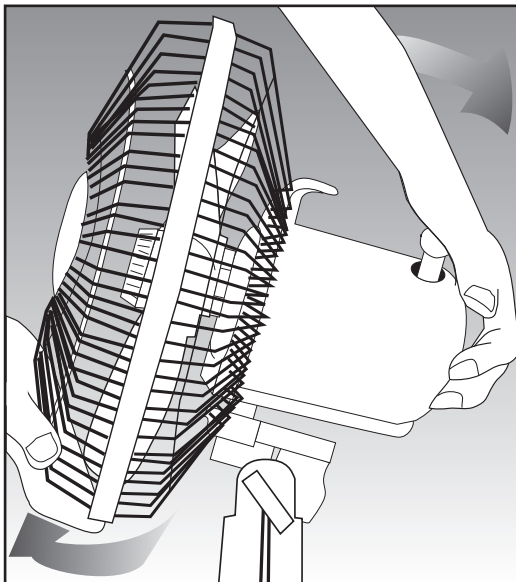
You may run the fan by moving the rotary switch left / right and choosing a speed position. To turn off set the switch in position "0"



Oscillation

If you want your fan to spin left and right within a definite angle and blow out air press the oscillation knob. To stop the process pull the knob for the previous position.

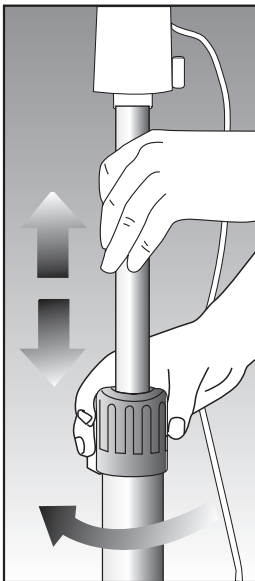
Part 3: Using Your Machine



Adjusting the Blow Out Angle

Before adjusting the blow out angle turn off your fan. Then you may adjust the blowing angle by moving the guard upwards and downwards as show on the picture.

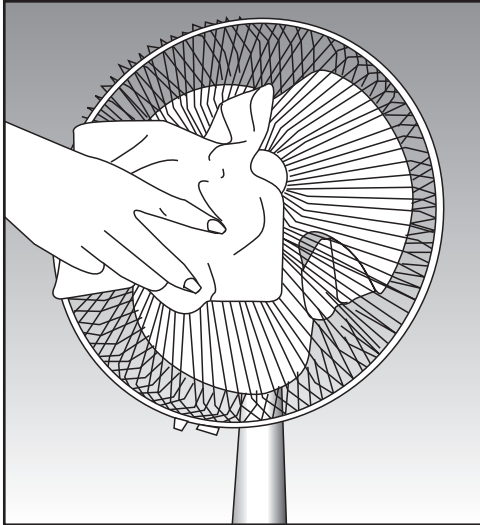
Part 3: Using Your Machine



Height Adjustment

Turn off your fan before making height adjustment. Turn the height adjustment ring counter clockwise and after adjusting the height fix the ring by turning clockwise.

Part 2: Maintenance and Cleaning



- 1- Make sure that the fan is turned off and unplugged before starting any cleaning process.
- 2- Do not use substances which may damage the product. Rinse with a damp piece of cloth and do not use before the fan gets dry.
- 3- Do not immerse into water or any other liquid.
- 4- Contact with the authorized technical service if the supply cord needs repair or change.

WARNING! When cleaning the guard and blade they should be disassembled. After cleaning, the blade and guard should be assembled again.