

autOTEK

EVOLUTION OF POWER

SUPER SPORT AT-SERIES SPEAKERS

AT62CX / AT6.2C / AT692 / AT693

autOTEK

SUPER SPORT

AT-SERIES

FULL RANGE

CAR AUDIO SPEAKERS

Congratulations on your purchase of the new Autotek Super Sport AT-Series speaker system.

The AT speaker series offer excellent sonic accuracy, good sound quality and great value.

- **Impact Resistant Tweeter Elements**
- **Neo Mylar Soft Dome Tweeter**
- **Installation hardware Included**
- **External 12dB Passive In-Line Crossover With Component Set**
- **Raised T-Yoke**
- **Silver Alpha-Cellulose Cones**
- **Spade Style Speaker Terminals**
- **Moisture Resistant Rubber Surround**
- **High Mid-Bass Impact**
- **Anti-Resonant Stamped Steel Basket**
- **Wide Nominal Power Range**

As with all high quality car audio products, we recommend professional installation by an authorized Autotek dealer.

Your dealers knowledge and experience can ensure a problem free and cosmetically integrated installation.

If you choose to install the speakers yourself, please read the entire manual very carefully.

SPEAKER LOCATION AND MOUNTING TIPS

THE FIRST STEP IS THOROUGH PLANNING BEFORE THE INSTALLATION BEGINS.

THE SPEAKER SCREW HOLE CONFIGURATION WILL WORK WITH MOST DOMESTIC AND FOREIGN VEHICLES.

FOLLOW THESE INSTRUCTIONS CAREFULLY TO ENSURE PROPER IMAGING AND MAXIMUM PERFORMANCE.

Factory Speaker Replacement Location and Installation

1. Before you alter the vehicles interior materials, be sure there is adequate room and clearance for the speaker depth to clear the windows and other moving parts. (See speaker measurement page).

2. If you are using the speaker wires provided in this kit, be sure to route wires through the factory door grommet as shown in the speaker mounting diagram.

3. After securing the speaker and checking clearances, connect the red/black speaker audio wires to the correct speaker + and - spade terminals.

Custom Speaker Location and Installation

1. Follow steps 1-3 above.

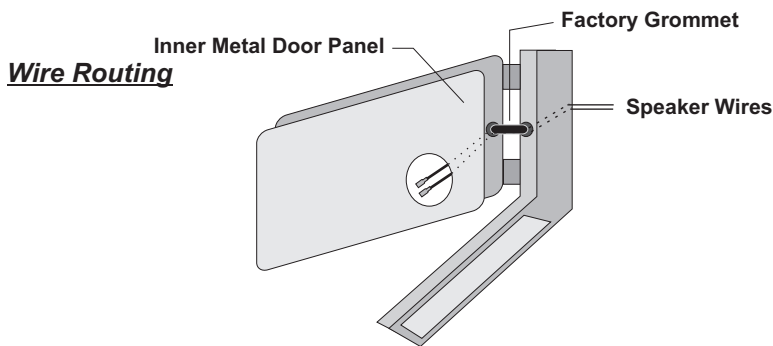
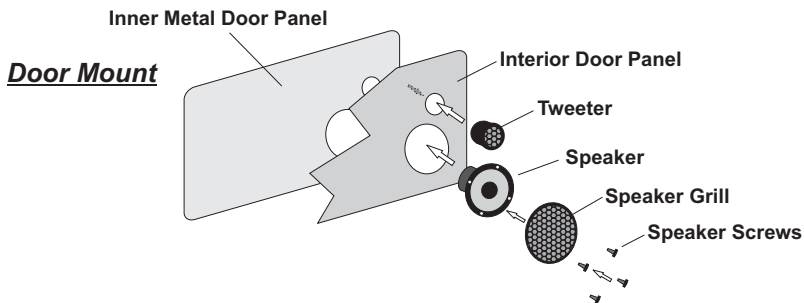
2. Use the speaker mounting diagrams and speaker hole cut-out dimensions on the following pages.

3. Always mount the left and right side speakers on the same plane. This means that each speaker should be the same height from the floor and same distance from the firewall. Do not mount one speaker higher, lower, further forward or further behind the other.

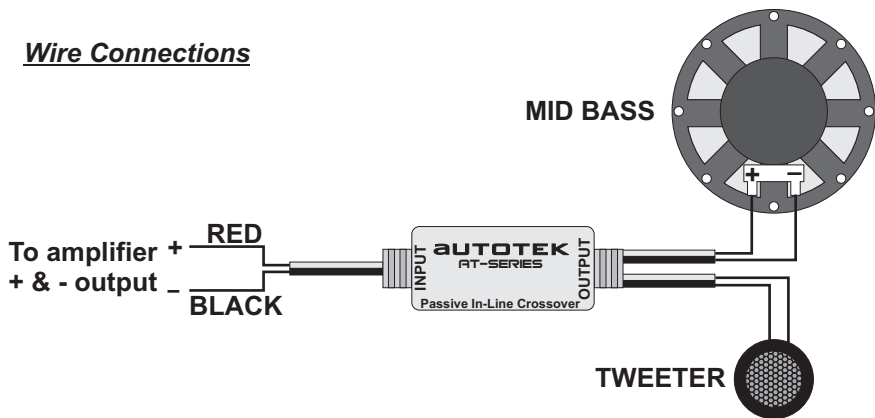
3. It is generally best to keep the tweeter (component speakers) as close to the mid range driver as possible. Typically with-in 12".

The tweeters sound best when directed up, towards the rear center of the vehicle.

COMPONENT MOUNTING & WIRING PROCEDURES

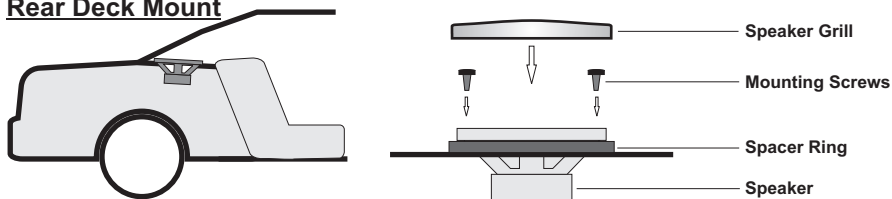


Wire Connections

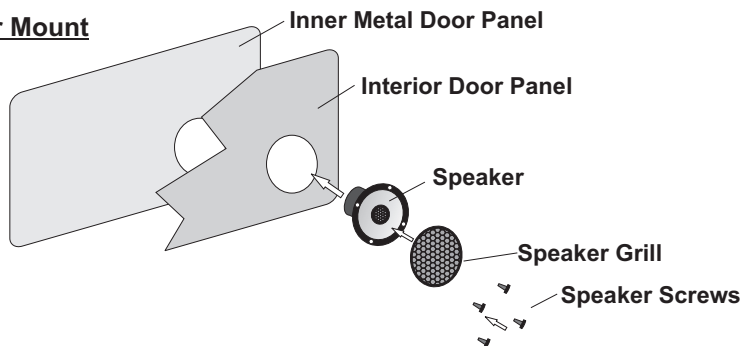


COAX & 3-WAY MOUNTING & WIRING PROCEDURES

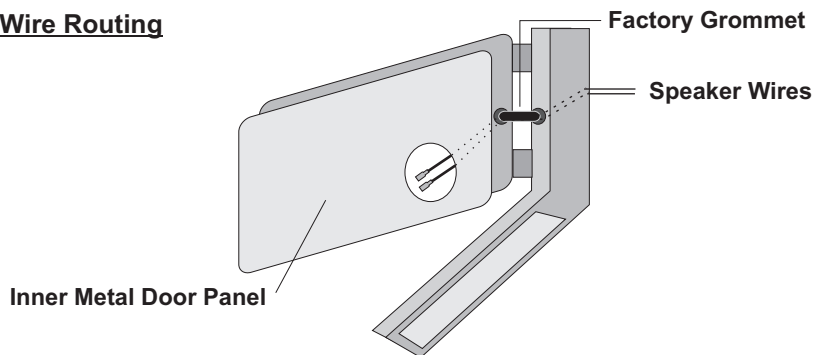
Rear Deck Mount



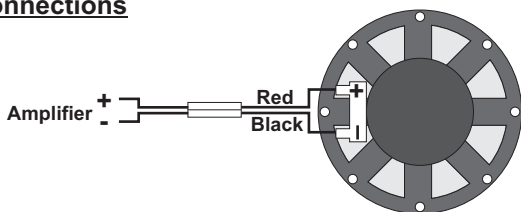
Door Mount



Wire Routing

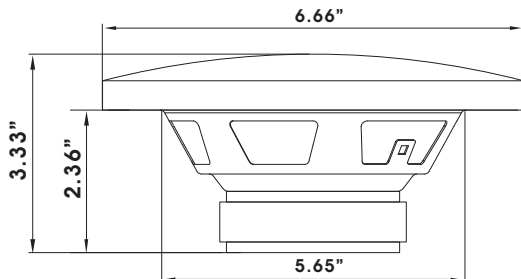


Wire Connections

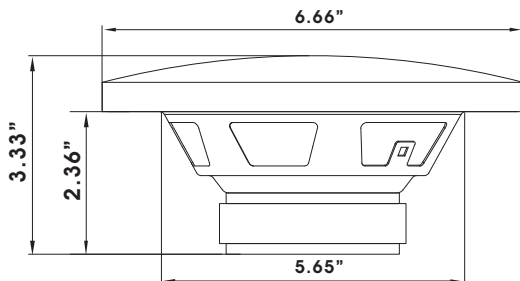


SPEAKER DIMENSIONS

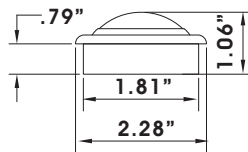
AT62CX



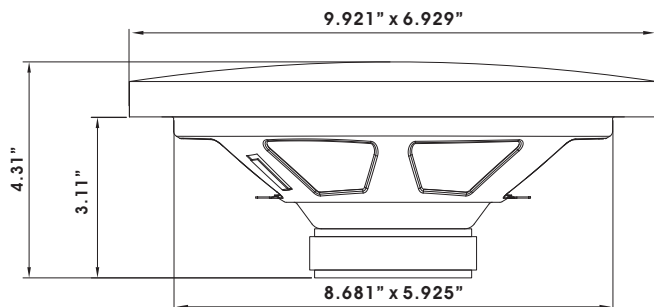
AT6.2C



AT6.2C Tweeter



AT692/AT693



AUTOTEK AT-SERIES FULL RANGE SPEAKER SPECIFICATIONS

SPECIFICATIONS	AT62CX	AT6.2C	AT692	AT693
SIZE / TYPE	6.5" Coax	6.5" Comp	6 x 9" 2-Way	6 X 9" 3-Way
IMPEDANCE	4-Ohms	4-Ohms	4-Ohms	4-Ohms
FREQ. RESPONSE	64Hz-20kHz	56Hz-20kHz	46Hz-20kHz	46Hz-21kHz
SENSITIVITY / SPL	88dB	88dB	90dB	90dB
MOUNTING DEPTH	2.36" / 60mm	2.36" / 60mm	3.11" / 79mm	3.11" / 79mm
NOMINAL POWER (rms / maxx)	50 / 250W	50 / 250W	75 / 375W	75 / 375W

NOTICE: All features subject to change with out notice.

Maxxsonics Limited Warranty

As the manufacturer of Maxxsonics, Autotek, MB Quart, Crunch and Hifonics car audio products, Maxxsonics USA Inc. Warrants to the original consumer purchaser the amplifier to be free from defects in material and workmanship for one (1) Year from date of purchase.

All other parts and accessories of the system are warranted to be free from defects in material and workmanship for one (1) year from date of purchase. Maxxsonics will repair or replace at it's option and free of charge during the warranty period, any system component that proves defective in materials and workmanship under normal installation, use and service provided that the product is returned to the authorized Maxxsonics dealer from where it was purchased. A photo copy of the original receipt must accompany the product being returned.

Valid purchase receipts will contain the name and address of the authorized reseller.

Any damage to the product as a result of misuse, abuse, accident, incorrect wiring, improper installation, alteration of date code or bar code labels, revolution, natural disaster, or any sneaky stuff because someone messed up, repair or alteration out side of our factory or authorized service centers and any thing else you have done that you should not have done is not covered.

This warranty is limited to defective parts and specifically excludes any incidental or consequential damages connected therewith. This warranty is not to be construed as an insurance policy.

Warranty on installation labor, removal, re-installation and freight charges are not the responsibility of Maxxsonics USA Inc.

Warranty products damaged as a result of insufficient or improper packing materials are not covered by this limited warranty and such damaged product will be returned "as is" at the expense of the owner.



MAXXSONICS™

Designed and Engineered in the USA
www.maxxsonics.com



MAXXSONICS®

MBQUARTI®

autOTEK®

HIFONDICS®

CRUNCH®

WWW.MAXXSONICS.COM

847.540.7700