

OUTPUT AT 100 % OF ACTUAL SIZE

Job # / Name: 20286_LCD Monitor Jean Co		Date: 07.10.09	
File Name: 20286_s2_416907_LCD_man_cvr.ai		Dieline #: 140mm x 216 mm	
Production Artists: MR	Merchant: Greg Smith	round 2	<input type="checkbox"/> FINAL
Release Artist: xx	Vendor: Jean Co		
Colors: ■ BLACK	Dieline Colors: ■ FPO Callout ■ FPO Dieline	Office DEPOT. 6600 North Military Trail Boca Raton, FL 33496 <hr/> Private Brand Development	

Operation Instructions

Thank you for purchasing this high-resolution multi-scan color monitor. Please read this guide thoroughly before installation.

FCC RADIO FREQUENCY INTERFERENCE STATEMENT WARNING: (FOR FCC CERTIFIED MODELS)

This monitor has been tested and found compliant with the limits for a Class B digital device, pursuant to part 15 of the FCC Rules. These limits are designed to provide proper protection against harmful interference to a residential installation. This monitor generates, uses, and can radiate radio frequency energy. Harmful interference to radio communication may be led as a result if it's not properly installed and used. However, there is no guarantee that interference will not occur in a particular installation. If this monitor does cause serious interference to radio or television reception, resetting the monitor may determine it. Moreover, users are encouraged to correct interference by doing one or more of the following:

- Reorient or relocate the receiving antenna.
- Move the monitor and the receiver further away from each other.
- Connect the monitor into an outlet on a circuit different from that to which the receiver is connected.
- Consult your local dealer or an qualified technician.

FCC Warning:

To assure a continued FCC compliance, a user must use a grounded power supply cord and the provided shielded video interface cable with bonded ferrite cores. Also, any unauthorized changes or modifications to this monitor would void the user's authority to operate this device.

Note: If necessary, shielded interface cables and AC power cord must be used to meet the emission level limits.

Contents

Safety Precautions	1
First Setup	2
Quick Installation	2
Front View of the Product.....	3
Rear View of the Product.....	3
Using On Screen Display (OSD) Functions.....	4
Supporting Timing Modes	8
Technical Information.....	9
Care and Maintenance	10
Troubleshooting	10
Warranty Information	11

Safety Precautions

This monitor is manufactured and tested on a ground principle that a user's safety comes first. However, improper use or installation may result danger to the monitor as well as to the user. Carefully go over the following WARNINGS before installation and keep this guide handy.

WARNINGS:

- ◆ This monitor should be operated only at the correct power sources indicated on the label on the rear end of the monitor. If you're unsure of the power supply in your residence, consult your local dealer or power company.
- ◆ **The power cord plug must be connected to a properly wired and grounded power outlet.**
- ◆ Do not try to repair the monitor yourself as it contains no user-serviceable parts. The monitor should only be repaired by a qualified technician.
- ◆ Do not remove the monitor cabinet. There **are** high-voltage parts inside that may cause electric shock to human bodies, even when the power cord is disconnected .
- ◆ Stop using the monitor if the cabinet is damaged. Have it checked by a service technician.
- ◆ Put your monitor only in a clean, dry environment. Unplug the monitor immediately if **it** gets wet and consult your service technician.
- ◆ Always unplug the monitor before cleaning it. Clean the cabinet with a clean, dry cloth. Apply non-ammonia based cleaner onto the cloth, not directly onto the glass screen.
- ◆ Keep the monitor away from magnetic objects, motors, TV sets, and transformer.
- ◆ Do not place heavy objects on the cable or power cord.
- ◆ For PLUG CABLE EQUIPMENT, the **socket**-outlet shall be installed near the equipment and shall be easily accessible.
- ◆ Due to safety concerns, if the VESA mounting kit is purchased separately please make sure the mounting kit is UL-Listed, and **replaced** only by service personnel.

First Setup

Thank you for purchasing this high performance monitor!

This monitor comes with the following accessories :

- Power cable
- Audio cable
- D-Sub cable (15 pin)
- User's guide
- DVI cable (Optional)

Quick Installation

1. Connect power cord

Connect the power cord to a properly grounded AC outlet, then to the monitor.

2. Connect analog video cable (D-Sub cable)

Make sure both monitor and computer are powered OFF. Connect the video cable (D-Sub cable) to the computer, then to the monitor.

3. Connect DVI cable (Optional)

Connect the DVI cable from DVI output of computer to the DVI input of the monitor.

4. Connect HDMI cable (Not supplied)

Connect the HDMI cable from HDMI output of computer to the HDMI input of the monitor.

5. Connect audio cable

Connect the audio cable from audio output of computer to the audio input of the monitor.

6. Power-ON computer and monitor

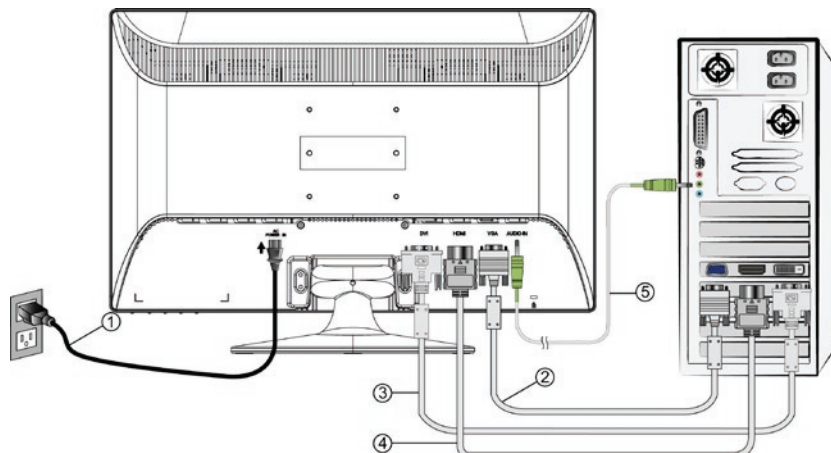
Power-ON the computer, then Power-ON the monitor.

7. Windows users: Setting the Timing Mode (Resolution and Refresh Rate)

Example: 1920 x 1080 @ 60 Hz

Resolution Right-click on the Windows desktop > Properties > Settings > "Desktop Area". Set the resolution.

Refresh Rate (vertical frequency) See your graphic card's user guide for instructions.

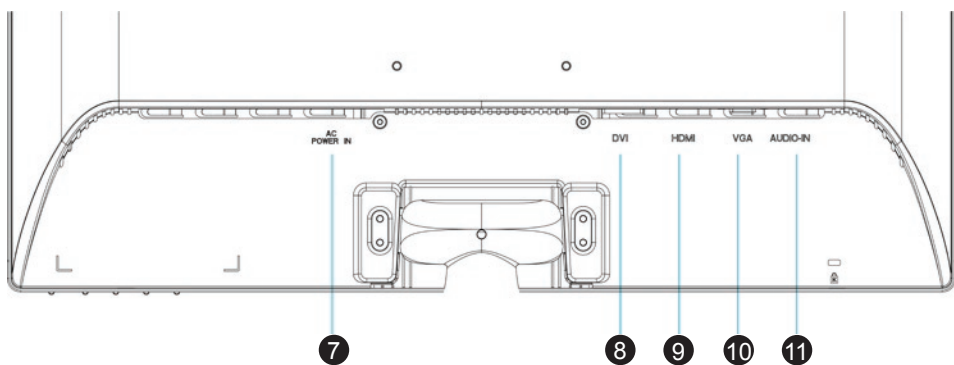


Front View of the Product



- | | |
|------------------------|---------------------|
| ① OSD TURN ON/OFF | ④ CONFIRM SELECTION |
| ② SCROLL DOWN/DECREASE | ⑤ POWER ON/OFF |
| ③ SCROLL UP/INCREASE | ⑥ LED INDICATOR |

Rear View of the Product

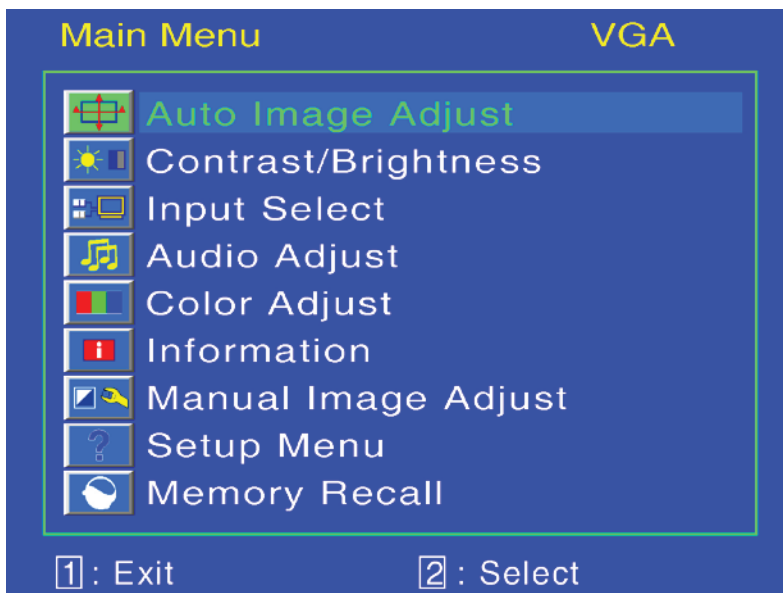


- | | |
|----------------------------|----------------------------|
| ⑦ POWER INPUT | ⑩ VGA INPUT (D-SUB 15 PIN) |
| ⑧ DVI INPUT (DVI 24 PIN) | ⑪ AUDIO INPUT |
| ⑨ HDMI INPUT (HDMI 19 PIN) | |

Using On Screen Display (OSD) Functions

1	Display main menu.
	Exit from OSD menu.
2	Shortcut to display input select source adjustment when not in OSD menu.
	Confirm the selection.
▼	Select the desired item when in OSD menu.
	When not in OSD menu, it is shortcut to display the Contrast/Brightness/DCR/ECO Mode adjustment control screen.
▲	Select the desired item when in OSD menu.
	When not in OSD menu, it is shortcut to display Opticolor Mode adjustment control screen.
▼ + ▲	Recall both of Contrast and Brightness.
1 + ▼	Power Lock (when not in OSD menu)
1 + ▲	OSD Lock (when not in OSD menu)

Main Menu



ShortCuts Function



Auto Image Adjust : To auto adjust Horizontal Position, Vertical Position, Phase (Fine Tune) and Clock (H. Size) of the screen.



Contrast : To adjust the foreground white level of screen image.
▲ : increase contrast, ▼ : decrease contrast.



Brightness : To adjust the luminance of the video.
▲ : increase brightness, ▼ : decrease brightness.

DCR : Allows the user to turn the DCR On or Off.

ECO Mode : Allows the user to turn the ECO On or Off. Contrast and Brightness adjustment disabled when ECO is active.



Input Select : When press Input Select change Input signal to Analog, HDMI or DVI.



Audio Adjust : To adjust the audio functions.

Volume : To adjust the volume of speaker output.

Mute : To turn the Mute on/off.



Color Adjust : To select the color for improving brightness and color saturation between 9300K, 6500K, 5400K, and User Color.

9300K : Adds blue to screen image for cooler white.

6500K : Adds red to screen image for warmer white and richer red.

5400K : Adds green to screen image for a darker color.

User Color : Individual adjustments for red (R), green (G), blue (B).

1. Press button  to select the desired color.

2. Press ▼ or ▲ button to adjust selected color.



Information : To display the information, regarding the current input signal coming from the graphic card in your computer.

Note: See your graphic card user guide for more information about changing the resolution and refresh rate.



Manual Image Adjust : To manually adjust the Horizontal Size, H./V. position, Fine Tune, Sharpness, Video Mode Adjust and OptiColor Mode.



Horizontal Size : To adjust the width of the screen image.

▼ : decrease the width of screen image, ▲ : increase the width of screen image.



H./V. Position : To adjust the horizontal and vertical position of the video.

H. Position: ▲ : move screen to the right, ▼ : move screen to the left.

V. Position: ▲ : move screen up, ▼ : move screen down.



Fine Tune : To adjust the delay time of data and clock.

Press ▲ or ▼ to adjust to your preference.



Sharpness : To adjust the clarity of a non-Full HD (1920x1080) signal with ▼ or ▲ button.



Video Mode Adjust : To select the video mode from Full Screen, Over Screen or Aspect Ratio.

Full Screen : To select full-screen size image.

Over Screen : To select over-screen size image.

Aspect Ratio : Restore the resolution (Non-16:9) for the full screen. So that images can be displayed.



OptiColor Mode : Provides an optimum display environment depending on the contents displayed. It contains 5 user-selectable presets.

Standard is for general windows environment and monitor default setting.

Game optimized for PC game environment.

Cinema optimized for movie and video environment.

Scenery optimized for displaying outdoor scenery images.

Text optimized for text editing and viewing in a word processing environment.



Setup Menu : To set up Language Select, OSD Position, OSD Time Out and OSD Background.



Language Select : To allow users to choose from available languages.



OSD Position : Press ▲ OR ▼ button to select between horizontal and vertical OSD Position adjustment.

H. Position : To horizontally adjust the OSD position.

▲ : move OSD to the right, ▼ : move OSD to the left.

V. Position : To vertically adjust the OSD position.

▲ : move OSD up, ▼ : move OSD down.



OSD Time Out : To automatically turn off On Screen Display(OSD)after a preset period of time.



OSD Background : Allows the user to turn the OSD background On or Off.



Memory Recall : To recall factory settings for video & audio controls.
Press button **2** to select the Memory Recall menu option.

Supporting Timing Modes

VGA	720 x 400 @ 70Hz
VGA	640 x 480 @ 60Hz
VESA	640 x 480 @ 75Hz
VESA	800 x 600 @ 60Hz
VESA	800 x 600 @ 72Hz
VESA	800 x 600 @ 75Hz
VESA	1024 x 768 @ 60Hz
VESA	1024 x 768 @ 70Hz
VESA	1024 x 768 @ 75Hz
VESA	1280 x 960 @ 60Hz
VESA	1280 x 1024 @ 60Hz
VESA	1280 x 1024 @ 75Hz
VESA	1440 x 900 @ 60Hz
VESA	1440 x 900 @ 75Hz
VESA	1600 x 1200 @ 60Hz
VESA	1680 x 1050 @ 60Hz
VESA	1920 x 1080 @ 60Hz

Supporting Timing when in HDMI Mode

480i
480p
576i
576p
720p
1080i
1080p

Warning : Do not set the graphic card in your computer to exceed these maximum refresh rates. Doing so may result in permanent damage to your monitor.

Technical Information

Technical Specification

LCD Display	23.6" TFT
Power Management	Energy Star compliant VESA DPMS compatible < 1 W
Supported Resolution	Full HD 1920 x 1080 max. Vertical Frequency 60Hz max.
Pixel size	0.2715 x 0.2715 mm
Display Colors	16.7M
Tilt	0°~20°
Active Display Area	521.3 mm x 293.2 mm
Temperature	Operating: 0°C ~ +40°C Storage: -20°C ~ + 60°C
Compliance	UL, CE, FCC-B, Energy Star,
Input voltage	Input Voltage AC100-240 V
Speaker Output	2W x 2
Signal Input	VGA, DVI, HDMI

Care and Maintenance

Care

- Avoid exposing your monitor directly to sunlight or other heat source. Place your monitor away from the sun to reduce glare.
- Put your monitor in a well ventilated area.
- Do not place any heavy **items** on top of your monitor.
- Make certain your monitor is installed in a clean and moisture-free area.
- Keep your monitor away from magnets, motors, transformers, speakers, and TV sets.

Safety Tips

- **If smoke, abnormal noise, or odor appears to arise from your monitor, remove the power cord immediately and call your service center.**
- Never remove the rear cover of your monitor cabinet. The display unit inside contains high-voltage parts and may cause electric shock to human bodies.
- Never try to repair your monitor yourself. Always call your service center or a qualified technician to fix it.

Troubleshooting

No power (**Power indicator is not lit and there is no image**)

- Make sure A/C power cord is securely inserted to both the AC-INLET socket on the monitor and wall outlet.
- Plug another electrical device into the power outlet to verify that the outlet is supplying proper voltage.
- Make sure all signal cables are installed.

Power indicator is green but there is no screen image

- Make sure the video cable supplied with the monitor is tightly secured to the video output port on back of the computer. If not, tightly secure it.
- Adjust brightness.

Wrong or abnormal colors

- If any colors (red, green, blue) are missing, check the video cable to make sure it is securely connected. Loose or broken pins in the cable connector could cause an improper connection.
- Connect the monitor to another computer.

“No signal” message appears on the screen

- **Make sure the computer is turned on and that the monitor cable is properly connected and/or has no bent pins.**

Warranty Information

Swinton Avenue Trading, Inc. Limited One Year Product Warranty

This limited warranty covers the original purchase of new product used for normal commercial, personal or household use. Swinton Avenue Trading, Inc. (SAT) warrants its products will be free from defects in materials and workmanship (normal wear and tear excepted), for one (1) year from the date of purchase, except as provided below. SAT, at its option, will replace with a comparable product, free of charge, any product which fails under normal use as a result of such defect. This warranty does not apply to damage caused by fire, accident, negligence, misuse, improper cleaning or other circumstances not directly attributable to manufacturing defects.

Proof of purchase is required in the form of a receipt (copy or original) to validate warranty. If you do not have a copy of your store receipt and paid using a check or a major credit card, a copy can be obtained from Office Depot's receipt retrieval department at [1-800-721-6592](tel:1-800-721-6592).

If SAT chooses to provide a refund for such product, it will be fulfilled in the form of an Office Depot Merchandise card. Claims fulfilled in this manner take approximately 90 days to process.

SAT PROVIDES THIS LIMITED WARRANTY IN LIEU OF ALL OTHER WARRANTIES EITHER EXPRESS OR IMPLIED. EXPRESSLY EXCLUDED ARE ALL WARRANTIES OF FITNESS FOR A PARTICULAR PURPOSE OR MERCHANTABILITY. SAT'S SOLE OBLIGATION AND THE USER'S EXCLUSIVE REMEDY UNDER THIS WARRANTY SHALL BE LIMITED TO THE REPAIR OR REPLACEMENT AT SAT'S SOLE DISCRETION AND COST, OF PRODUCT OR COMPONENTS.

IN NO EVENT SHALL SAT, ITS AFFILIATES, SUBSIDIARIES OR PARENT COMPANIES BE RESPONSIBLE FOR CONSEQUENTIAL, SPECIAL, OR INCIDENTAL DAMAGES ARISING OUT OF A CLAIM OF DEFECTIVE PRODUCT EVEN IF ODP HAS BEEN ADVISED OF THE POSSIBILITY OF SUCH DAMAGES.

SOME STATES OR PROVINCES DO NOT ALLOW THE EXCLUSION OF IMPLIED WARRANTIES OR LIMITATIONS ON HOW LONG AN IMPLIED WARRANTY LASTS OR THE EXCLUSION OR LIMITATION OF INCIDENTAL OR CONSEQUENTIAL DAMAGES SO THE ABOVE LIMITATIONS MAY NOT APPLY TO YOU. THIS WARRANTY GIVES YOU SPECIFIC LEGAL RIGHTS, AND YOU MAY ALSO HAVE OTHER RIGHTS WHICH MAY VARY BY STATE OR PROVINCE.

THIS WARRANTY APPLIES ONLY TO THE U.S. AND CANADA.

For service, please call [1-877-777-HELP \(1-877-777-4357\)](tel:1-877-777-HELP)

Instructions d'Utilisation

Merci d'acheter ceci qu'un à haute résolution multi-balaye le contrôle de couleur.

Veuillez lire attentivement ce guide avant l'installation.

COMMUNIQUE D'AVERTISSEMENT DE LA FCC CONCERNANT LES INTERFERENCE DE FREQUENCE RADIO: (SEULEMENT POUR MODELES CERTIFIE PAR LA FCC)

Ce moniteur a été testé et a été trouvé conforme aux limites pour un appareil numérique de Classe B, suivant la partie 15 des règlements de la FCC. Ces limites ont été développées pour offrir une protection satisfaisante contre les interférences nuisibles dans une installation résidentielle. Ce moniteur génère, utilise et peut radier de l'énergie de fréquence radio. Ceci peut causer des interférences nuisibles à des communication radio si l'appareil n'est pas convenablement installé et utilisé. Il n'y a néanmoins aucune garantie que des interférences n'apparaîtront pas dans une installation particulière. Si ce moniteur cause de sérieuses interférences à la réception de signaux radios ou télévisées, une possibilité est de réinitialiser le moniteur. Les usagers sont aussi encouragés à corriger les interférences en appliquant une ou plusieurs des démarches suivantes:

- Réorientez ou déplacez l'antenne de réception.
- Placez le moniteur et le récepteur plus loin l'un de l'autre.
- Connectez le moniteur à une prise différente de celle à laquelle le récepteur est connecté.
- Consultez votre revendeur local ou un technicien qualifié.

Avertissement de la FCC:

Pour assurer une conformité continue au règlements de la FCC, l'utilisateur doit utiliser un cordon d'alimentation mis à terre et le câble d'interface vidéo protégé avec noyaux en ferrite, fourni avec l'appareil. Chaque modification ou changement non-autorisé appliqué à ce moniteur peut faire perdre à l'utilisateur son droit d'opération de cet appareil.

Note: Si nécessaire, des câbles d'interface protégés et un cordon d'alimentation alternante doivent être utilisés pour être conforme aux limites d'émission.

Contenu

Précautions de Sécurité	1
Première Installation.....	2
Installation Rapide	2
Vue avant du produit	3
Produit vu de dos.....	3
Utiliser les fonctions d'affichage d'écran (OSD)	4
Support des modes minutage.....	8
Informations Technique	9
Soins et Maintien.....	10
En Cas de Problème	10
L'information de garantie	11

Précautions de Sécurité

Ce moniteur a été fabriqué et testé à partir du principe que la sécurité de l'utilisateur est primordiale. Néanmoins, l'utilisation ou l'installation incorrecte peut causer un danger à l'appareil aussi bien que à l'utilisateur. Lisez attentivement les AVERTISSEMENTS suivants avant de commencer l'installation et gardez ce guide à portée de main.

AVERTISSEMENTS:

- ◆ Ce moniteur ne doit être utilisé que en connexion avec les sources d'alimentation correctes, indiquées sur l'étiquette à l'arrière du moniteur. Si vous n'êtes pas sûr de l'alimentation dans votre résidence, consultez votre revendeur locale ou la compagnie d'électricité.
- ◆ **La prise de cordon de secteur doit être reliée à une sortie correctement de câble et au sol de puissance**
- ◆ N'essayez pas de réparer le moniteur vous même, car il ne contient pas de composants réparables par l'utilisateur. Le moniteur ne peut être réparé que par un technicien qualifié.
- ◆ N'enlevez pas la cache du moniteur. Il y a des composants sous haute tension à l'intérieur qui peuvent causer des chocs électriques, même quand le cordon d'alimentation est déconnecté.
- ◆ N'utilisez plus le moniteur si la caisse est endommagée. Appelez un technicien d'entretien pour la contrôler.
- ◆ Placez votre moniteur dans un endroit propre et sec. Si le moniteur se mouille déconnectez le immédiatement et consultez votre technicien d'entretien.
- ◆ Déconnectez toujours votre moniteur avant de le nettoyer. Nettoyez la caisse avec un chiffon sec et propre. Appliquez un nettoyant non-ammoniacal sur le chiffon, jamais directement sur l'écran.
- ◆ Gardez le moniteur éloigné d'objets magnétiques, de moteurs, de sets de télévision et de transformateurs.
- ◆ Ne placez pas d'objets lourds sur le câble ou le cordon d'alimentation.
- ◆ Pour des EQUIPMENTS à FICHE, la fiche de sortie doit être installée près de l'arrière de l'équipement et à un endroit facilement accessible.
- ◆ Pour des raisons de sécurité, si le kit de fixation VESA est acheté séparément, assurez-vous que le kit de fixation est certifié UL, et remplaçable uniquement par un technicien qualifié.

Première Installation

Félicitations avec votre achat de ce moniteur de haute performance!

Ce moniteur est fourni avec les accessoires suivants:

- Cordon d'Alimentation
- Câble D-Sub (15 broches)
- Câble DVI (Facultatif)
- Câble Audio
- Guide de l'utilisateur

Installation Rapide

1. Connectez le cordon d'alimentation

Connectez le cordon d'alimentation au dos du moniteur. Branchez le cordon d'alimentation dans une prise de courant proche.

2. Connecter le câble **analogique** vidéo (Câble D-Sub)

Assurez-vous qu'à la fois le moniteur et l'ordinateur sont bien SOUS tension. Connectez le câble vidéo de la sortie D-Sub sur l'ordinateur sur l'entrée D-Sub sur le moniteur.

3. Connectez le câble DVI (Facultatif)

Connectez le câble DVI de la sortie DVI de l'ordinateur sur l'entrée DVI du moniteur.

4. Connectez le câble de HDMI (non fourni)

HDMI du rendement de HDMI de l'ordinateur à l'entrée de HDMI du moniteur.

5. Connecter le câble audio

Connectez une extrémité du câble audio au dos du moniteur et connectez l'autre extrémité au port de sortie audio de l'ordinateur.

6. Allumez l'ordinateur et le moniteur

Allumez l'ordinateur et ensuite allumez le moniteur.

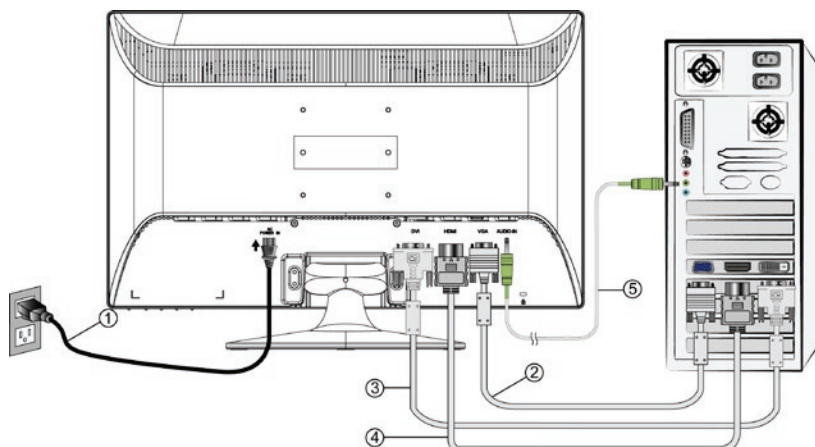
7. Utilisateurs de Windows : Paramétrer le mode de synchronisation (résolution et vitesse de rafraîchissement)

Exemple: 1920 x 1080 @ 60 Hz

Résolution Faites un clic droit de la souris sur le bureau de Windows >

Propriétés > Paramètres > "Espace du bureau". Paramétrer la résolution

: Vitesse de rafraîchissement (fréquence verticale) Voir le guide utilisateur de votre carte graphique pour les instructions.

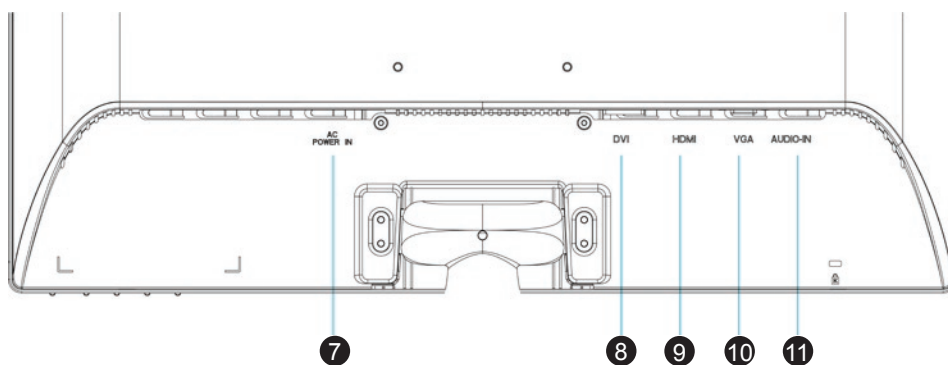


Vue avant du produit



- | | |
|--------------------------------------|------------------------------|
| ① ACTIVER/QUITTER OSD | ④ CONFIRMER LA SÉLECTION |
| ② DEFILER VERS LE BAS/
DIMINUER | ⑤ SOUS TENSION/ HORS TENSION |
| ③ DEFILER VERS LE HAUT/
AUGMENTER | ⑥ INDICATEUR DEL |

Produit vu de dos



- | | |
|-------------------------------|---------------------------------|
| ⑦ ENTREE DU CA | ⑩ ENTREE VGA (D-SUB 15 BROCHES) |
| ⑧ ENTREE DVI (DVI 24 BROCHES) | ⑪ ENTREE AUDIO |
| ⑨ ENTREE HDMI | |

Utiliser les fonctions d'affichage d'écran (OSD)

1	Afficher le menu principal.
	Quitter le menu OSD.
2	Raccourci pour montrer l'ajustement choisi de source d'entrée quand pas dans le menu d'OSD.
	Confirmer la sélection.
▼	Sélectionnez l'élément désiré quand vous êtes dans le menu OSD.
	Quand pas dans le menu d'OSD, il est raccourci écran de commande pour montrer de contraste/Luminosité/DCR/ECO Mode ajustement.
▲	Sélectionnez l'élément désiré quand vous êtes dans le menu OSD.
	Quand pas dans le menu d'OSD, il est raccourci pour montrer l'écran de commande d'ajustement de mode d'Opticolor.
▼ + ▲	Rétablir à la fois le Contraste et la Luminosité.
1 + ▼	Verrouillage de l'alimentation (quand vous n'êtes pas dans le menu OSD)
1 + ▲	Verrouillage de l'OSD (quand vous n'êtes pas dans le menu OSD)

Menu principal (Main Menu)



Fonction de raccourcis



Réglage automatique (Auto Image Adjust) : Ajuste automatiquement la position horizontale, la position verticale, la phase(accord fin) et l'horloge (taille H).



Contraste (Contrast) : Pour ajuster le niveau blanc du premier plan de l'image de l'écran.

▲ : augmenter le contraste, ▼ : diminuer le contraste.



Luminosité (Brightness) : Pour régler la luminance de la vidéo.

▲ : increase brightness, ▼ : decrease brightness.

DCR : Permet à l'utilisateur d'activer ou de désactiver DCR.

ECO Mode : Permet à l'utilisateur d'activer ou de désactiver ECO. Les réglages de Contraste et Luminosité sont désactivés quand ECO est actif.



Entrée (Input Select) : Permet à l'utilisateur de changer le signal d'entrée en analogue, HDMI ou DVI.



Réglage audio (Audio Adjust) : Pour régler les fonctions audio.

Volume: Pour ajuster la sortie du haut-parleur.

Muet: Pour sélectionner Silence Allumé/Eteint.




Couleur réglage (Color Adjust) : Pour sélectionner la couleur pour améliorer la luminosité et la saturation de la couleur entre 9300K, 6500K, 5400K, et Couleur utilisateur.

9300K : Ajoute du bleu à l'image de l'écran afin d'obtenir un blanc plus froid.

6500K : Ajoute du rouge à l'image de l'écran pour obtenir un blanc plus chaud et un rouge plus riche.

5400K : Ajoute du vert à l'image de l'écran pour obtenir une image plus sombre.

Couleur utilisateur (User Color) : Réglage individuel pour le rouge(R), vert (V), bleu (B).

1. Appuyez sur le bouton  pour ajuster et sélectionner la couleur. suivante à ajuster.

2. Appuyez sur le bouton ▼ ou ▲ pour ajuster la couleur sélectionnée.



Informations (Information) : Affiche les informations relatives au signal d'entrée du courant de la carte graphique de votre ordinateur.

Remarque: Reportez-vous au guide de l'utilisateur de votre carte graphique pour avoir des informations supplémentaires concernant les modifications de la résolution et le taux de rafraîchissement.



Réglage manuel de l'image (Manual Image Adjust) : Ajustez la Taille horizontale, Position H.V., Réglage image, Finesse, Réglage du mode Vidéo et Mode OptiColor.



Taille horizontale(Horizontal Size) : Ajuste la largeur de l'image de l'écran.
▼ : diminue la largeur de l'image de l'écran, ▲ : augmente la largeur de l'image de l'écran.



Position H.V. (H.V. Position) : Pour ajuster la position horizontale et verticale de la vidéo.

Position H. : ▲ : Déplace l'écran vers la droite, ▼ : déplace l'écran vers la gauche.

Position V. : ▲ : déplace l'écran vers le haut, ▼ : déplace l'écran vers le bas.



Réglage image (Fine Tune) : Pour ajuster le temps de retard.
Appuyez sur ▲ ou ▼ pour ajuster à la préférence de l'utilisateur.



Finesse (Sharpness) : Pour ajuster la clarté d'un signal non-Full HD (1920x1080) avec le bouton ▼ ou ▲.



Video Mode Adjust : Pour sélectionner le mode vidéo parmi Full Screen, Over screen ou Format d'image(Aspect Ratio).

Full Screen : Pour sélectionner l'image en taille plein écran.

Over screen : Pour sélectionner l'image en taille sur écran.

Format de l'image(Aspect Ratio) : Reconstituez la résolution (Non-16:9) pour le pleine page. De sorte que des images puissent être montrées.



Mode OptiColor (OptiColor Mode) : Offre un environnement d'affichage optimal selon le contenu affiché. Il contient 5 pré-réglages sélectionnables par l'utilisateur.

Standard est destiné à l'environnement de Windows général et le paramétrage du moniteur par défaut.

seux (Game) optimisé pour l'environnement de jeu PC.

Cinéma (Cinema) optimisé pour l'environnement de film et vidéo.

Paysage (Scenery) optimisé pour afficher des images de paysages.

Texte(Text) optimisé pour l'édition et la visualisation de texte en environnement de traitement de texte.



Configuration (Setup Menu) : Pour régler langue, Position OSD, Interruption OSD et Arrière plan OSD.



Langue (Language Select) : Permet à l'utilisateur pour choisir parmi les langues disponibles.



Position OSD (OSD Position) : Appuyez sur le bouton ▼ ou ▲ pour choisir entre les réglages de position OSD horizontale et verticale.

Position H. : Pour régler horizontalement la position de l'OSD.

▲ : déplacer l'OSD à droite, ▼ : déplacer l'OSD à gauche.

Position V. : Pour régler verticalement la position de l'OSD.

▲ : déplacer l'OSD vers le haut, ▼ : déplacer l'OSD vers le bas.




Interruption OSD (OSD Time Out) : Pour désactiver automatiquement l'affichage d'écran (OSD) après une durée prédéfinie.



Arrière plan OSD (OSD Background) : Vous permet d'activer ou de désactiver l'arrière plan à l'écran.



Rappel de mémoire (Memory Recall) : Pour rétablir les paramètres d'usine pour les contrôles vidéo & audio. Appuyez sur le bouton  pour sélectionner l'option de menu de Rappel Mémoire.

Support des modes minutage

VGA	720 x 400 @ 70Hz
VGA	640 x 480 @ 60Hz
VESA	640 x 480 @ 75Hz
VESA	800 x 600 @ 60Hz
VESA	800 x 600 @ 72Hz
VESA	800 x 600 @ 75Hz
VESA	1024 x 768 @ 60Hz
VESA	1024 x 768 @ 70Hz
VESA	1024 x 768 @ 75Hz
VESA	1280 x 960 @ 60Hz
VESA	1280 x 1024 @ 60Hz
VESA	1280 x 1024 @ 75Hz
VESA	1440 x 900 @ 60Hz
VESA	1440 x 900 @ 75Hz
VESA	1600 x 1200 @ 60Hz
VESA	1680 x 1050 @ 60Hz
VESA	1920 x 1080 @ 60Hz

Synchronisation de soutien quand en mode de HDMI

480i
480p
576i
576p
720p
1080i
1080p

Avertissement : Ne réglez pas la carte graphique de votre ordinateur en dépassant ces taux de rafraîchissement maximaux. Si vous le faites, cela va irrémédiablement détériorer votre moniteur.

Informations Technique

Spécifications Techniques

Affichage LCD	23.6" TFT
Gestion de l'alimentation électrique	Energy Star conforme à VESA compatible avec DPMS < 1 W
Résolution prise en charge	Full HD 1920 x 1080 max. Fréquence Verticale maximale de 60Hz
Taille des pixels	0.2715 x 0.2715 mm
Couleurs d'affichage	16.7M
Inclinaison	0°~20°
Zone d'écran active	521.3 mm x 293.2mm
Température	Operating: 0°C ~ +40°C Storage: -20°C ~ + 60°C
Conformité	UL, FCC-B, Energy Star,
Tension d'entrée	Voltage d'Entrée 100-240 V CA
Rendement de haut-parleur	2W x 2
Entrée du signal	VGA, DVI, HDMI

Soins et Maintien

Soins

- Évitez d'exposer le moniteur directement à la lumière du soleil ou à une autre source de chaleur. Placez votre moniteur détourné du soleil pour éviter des reflets.
- Placez votre moniteur dans un emplacement bien ventilé.
- Ne mettez pas d'objet lourd sur le moniteur.
- Veillez à ce que votre moniteur soit installé dans un endroit sec et propre.
- Gardez votre moniteur loin d'aimants, moteurs, transformateurs, haut parleurs et de set de télévision.

Conseils de Sécurité

- Si de la fumée, un bruit anormal ou une odeur sort de votre moniteur, éteignez immédiatement le courant et appelez votre centre d'entretien.
- N'enlevez jamais le panneau arrière de la caisse du moniteur. L'unité d'affichage à l'intérieur contient des parties sous haut voltage qui peuvent causer des chocs électriques à des corps humains.
- N'essayez jamais de réparer le moniteur vous même. Appelez toujours votre centre d'entretien ou un technicien spécialisé pour faire les réparations.

En Cas de Problème

Pas d'Alimentation (L'indicateur de puissance n'est pas allumé et il n'y a aucune image)

- Contrôlez que le courant alternatif soit bien connecter à l'adaptateur de courant et que le cordon alimentaire soit bien connecter au moniteur.
- Connectez un autre appareil électrique à la prise murale pour vérifier qu'elle émet bien le voltage souhaité.
- Vérifiez que tous les câbles soient bien installés.

L'indicateur de puissance est vert mais il n'y a aucune image d'écran

- Vérifiez que le câble vidéo, fourni avec le moniteur soit bien solidement fixé au port de sortie du signal vidéo, situé à l'arrière de l'ordinateur. Sinon, fixé le convenablement.
- Ajustez la clarté.

Couleurs incorrectes ou anormales

- Si une des couleurs manque (rouge, vert, bleu), contrôlez le câble vidéo pour vous assurez qu'il soit bien correctement connecté. Des broches desserrées ou cassées peuvent créer une connexion incorrecte.
- Connectez le moniteur à un autre ordinateur.

Le message de "Aucun signal" apparaît sur l'écran

- Assurez-vous que l'ordinateur est mis en marche et que le câble de moniteur est correctement relié et/ou n'a aucune goupille coudée.

L'information de garantie

Swinton Avenue Trading, Inc. Garantie limitée de un an

Cette garantie limitée couvre les produits neufs utilisés dans le cadre d'applications commerciales ou domestiques normales. Swinton Avenue Trading, Inc. (SAT) garantit ses produits contre les défauts de matériel et de main-d'œuvre (à l'exception de l'usure normale) durant un (1) an à compter de la date d'achat, à l'exception des conditions ci-dessous. SAT, à son gré, remplacera sans frais tout produit défectueux dans des conditions d'usure normale par un produit comparable. La présente garantie ne s'applique pas aux dommages causés par le feu, un accident, la négligence, l'usage abusif, le non-respect des instructions, un nettoyage inapproprié ou autre circonstance non directement attribuable à des défauts de matériel et de main-d'œuvre.

Le reçu d'origine ou une copie est nécessaire pour valider la garantie. Si vous avez payé par chèque ou carte de crédit, vous pouvez obtenir une copie de reçu auprès de Office Depot en composant le [1-800-721-6592](tel:1-800-721-6592).

Si Swinton Avenue Trading décide de rembourser le prix d'achat d'un tel produit, le remboursement sera offert sous forme de carte d'achat Office Depot. Veuillez allouer 90 jours pour le traitement des réclamations.

CETTE GARANTIE EST FOURNIE EN LIEU ET PLACE DE TOUTE AUTRE GARANTIE. SONT EXCLUES TOUTES LES GARANTIES D'ADÉQUATION À UN USAGE SPÉCIFIQUE ET DE QUALITÉ SATISFAISANTE. LA SEULE OBLIGATION D'SAT ET VOTRE SEUL RECOURS EN VERTU DE CETTE GARANTIE SONT LIMITÉS À LA RÉPARATION DU PRODUIT, AU REMBOURSEMENT SOUS FORME DE CARTE D'ACHAT OFFICE DEPOT OU AU REMPLACEMENT DU PRODUIT OU DE COMPOSANTS À SES FRAIS.

SAT, SES FILIALES, SES COMPAGNIES ASSOCIÉES ET SES SOCIÉTÉS MÈRES NE PEUVENT ÊTRE TENUES RESPONSABLES DES DOMMAGES INDIRECTS OU PARTICULIERS INHÉRENTS À UNE RÉCLAMATION POUR PRODUIT DÉFECTUEUX MÊME SI LA POSSIBILITÉ D'UN TEL DOMMAGE A ÉTÉ DÉJÀ ÉTÉ PORTÉE À LA CONNAISSANCE D'SAT.

CERTAINS ÉTATS ET CERTAINES PROVINCES INTERDISANT L'EXCLUSION OU LES RESTRICTIONS DE DURÉE DES GARANTIES IMPLICITES OU L'EXCLUSION DES DOMMAGES INDIRECTS, LES RESTRICTIONS CI-DESSUS PEUVENT NE PAS S'APPLIQUER À VOUS. LA PRÉSENTE GARANTIE VOUS CONFÈRE DES DROITS JURIDIQUES SPÉCIFIQUES ET VOUS POUVEZ DISPOSER D'AUTRES DROITS, LESQUELS PEUVENT VARIER SELON L'ÉTAT OU LA PROVINCE.

CETTE GARANTIE S'APPLIQUE UNIQUEMENT AU CANADA ET AUX ÉTATS-UNIS.

Pour le service, appelez svp [1-877-777-HELP \(1-877-777-4357\)](tel:1-877-777-HELP).

Instrucciones de operación

Gracias por comprar este de alta resolución multi-exploran el monitor de color.

Por favor lea esta guía minuciosamente antes de hacer la instalación.

ACUERDO DE INTERFERENCIA DE RADIO FRECUENCIA PARA FCC ADVERTENCIA: (PARA MODELOS CERTIFICADOS COMO FCC)

Este monitor ha sido probado y encontrado en regla con los límites para la clase B de mecanismos digitales, en conformidad con la parte 15 de las Reglas FCC. Estos límites están designados para proveer una adecuada protección contra interferencias dañinas de una instalación residencial. Este monitor genera, usa y puede irradiar energía de radio frecuencia. Interferencias dañinas de la radio comunicación pueden seguirse como resultado si este monitor no es instalado y usado propiamente. Sin embargo, no hay garantías de que no ocurrirán interferencias en una particular instalación. Si este monitor causa serias interferencias en la recepción de radio o televisión, reajustar el monitor puede detenerlas. Sin embargo, los usuarios son alentados a corregir las interferencias haciendo una o más de las siguientes cosas:

- Reorientar o reposicionar la antena receptora.
- Mover el monitor y el receptor lejos el uno del otro.
- Conectar el monitor a una toma de corriente en un circuito diferente de aquel al que está conectado el receptor.
- Consultar al vendedor local o a un técnico calificado.

FCC Advertencia:

Para asegurar una continua FCC conformidad, el usuario debe usar un cable enterrado de suministro de la corriente y el cable de interfaz de video provisto con el producto. Además, cualquier cambio no autorizado o modificaciones a este monitor harán vana la autoridad del usuario para operar este mecanismo.

Nota: Si es necesario, cables de interfaz recubiertos y el cable de la corriente deben ser usados cumpliendo con los límites de niveles de emisión.

Contenido

Precauciones de Seguridad	1
Instalación Rápida	2
Vista Frontal del Producto	3
Vista Trasera del Producto	3
Usando las funciones "On Screen Display(OSD)"	4
Tiempos soportados	8
Información Técnica	9
Mantenimiento y Cuidado.....	10
Solución de Problemas.....	10
Información de la garantía.....	11

Precauciones de Seguridad

Este monitor ha sido manufacturado y probado bajo el principio de que la seguridad del usuario es lo primero. Sin embargo, el uso o la instalación impropia puede resultar de peligro para el monitor tanto como para el usuario. Lea cuidadosamente las siguientes ADVERTENCIAS antes de la instalación y conserve a mano esta guía.

ADVERTENCIAS:

- ◆ Este monitor debe ser operado solamente según las fuentes de energía indicadas en la etiqueta en la parte trasera del monitor. Si usted no está seguro del suministro de energía en su residencia, consulte a su vendedor local o a la compañía de energía eléctrica.
- ◆ La clavija del cable eléctrico se debe conectar con un enchufe de energía correctamente atado con alambre y puesto a tierra.
- ◆ No trate de reparar el monitor por usted mismo cuando esto concierne a partes no ajustables por el usuario. El monitor debe ser reparado solamente por técnicos calificados.
- ◆ No abra el monitor. Hay partes de alto voltaje adentro que pueden causar un golpe de corriente sobre el cuerpo humano, incluso cuando el cable de la corriente esté desconectado.
- ◆ Deje de usar el monitor si se ha dañado la estructura externa del mismo. Hágalo revisar primero por el servicio técnico.
- ◆ Ponga su monitor solamente en un ambiente seco y limpio. Desenchufe el monitor inmediatamente si este se moja y consulte a su servicio técnico.
- ◆ Siempre desenchufe el monitor antes de limpiarlo. Limpie la cobertura con un tela seca y limpia. Aplique limpiadores que no contengan amoníacos sobre la tela que usará para limpiar el monitor, nunca directamente sobre el vidrio de la pantalla.
- ◆ Conserve el monitor lejos de objetos magnéticos, motores, televisores, y transformadores de corriente.
- ◆ No coloque objetos pesados sobre los cables del monitor.
- ◆ Para EQUIPOS AÑADIBLES, el enchufe del toma corriente debe estar cerca del equipo y debe ser de fácil acceso.
- ◆ Debido a las precauciones de seguridad, si el kit de montaje VESA fue adquirido por separado, asegúrese de que el kit está en UL-Listed, Aprobado port y reemplazado solamente por el personal de servicio.

Primera Configuración

Gracias por comprar este monitor de alto rendimiento!

Este monitor viene con los siguientes accesorios:

- Cable toma de corriente
- Cable Audio
- Cable VGA (15 pin D-Sub)
- Guía de usuario
- Cable DVI (Opcional)

Instalación Rápida

1. Conecte el cable de toma de corriente

Enchufe el cable que toma la corriente a un toma corriente y después al monitor

2. Conectar el cable de vídeo (cable D-Sub)

Asegúrese de que tanto el monitor como el equipo están APAGADOS.

Conecte el cable de vídeo (cable D-Sub) entre la salida D-Sub del equipo y la entrada D-Sub del monitor.

3. Conecte el cable DVI (Opcional)

Conecte el cable DVI entre la salida DVI del equipo y la entrada DVI del monitor.

4. Conecte el cable de HDMI (no suministrado)

Conecte el cable HDMI entre la salida HDMI del equipo y la entrada HDMI del monitor.

5. Conectar cable de audio

Conecte un extremo del cable de audio al dorso del monitor y conecte el otro al puerto de salida de audio del ordenador.

6. Encienda la computadora y después el monitor

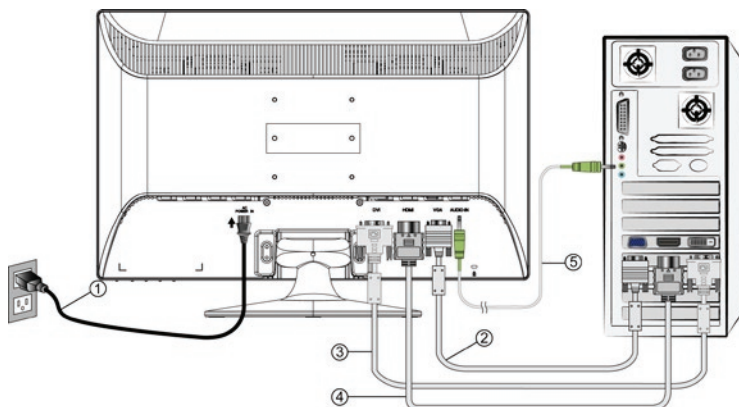
Encienda la computadora, **después**, encienda el monitor.

7. Usuarios de Windows: Configurar el Modo Cronometraje (Resolución e Índice de Renovación)

Ejemplo: 1920 x 1080 @ 60 Hz (Resolución Recomendada)

Resolución haga el clic derecho en el Escritorio de Windows > Propiedades > Configuraciones > "Área de Escritorio". Configure la resolución.

Índice de Renovación (frecuencia vertical) vea la guía de usuario de su tarjeta de gráficas para las instrucciones.

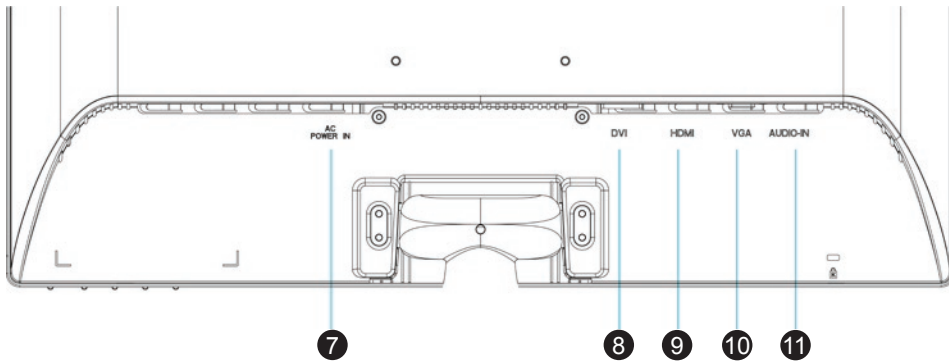


Vista Frontal del Producto



- 1 ACTIVAR/SALIR OSD
- 2 DESPLAZAR ABAJO/DISMINUIR
- 3 DESPLAZAR ARRIBA/AUMENTAR
- 4 CONFIRMAR/AUTOCONFIGURAR
- 5 ENCENDER/APAGAR
- 6 INDICADOR LED

Vista Trasera del Producto

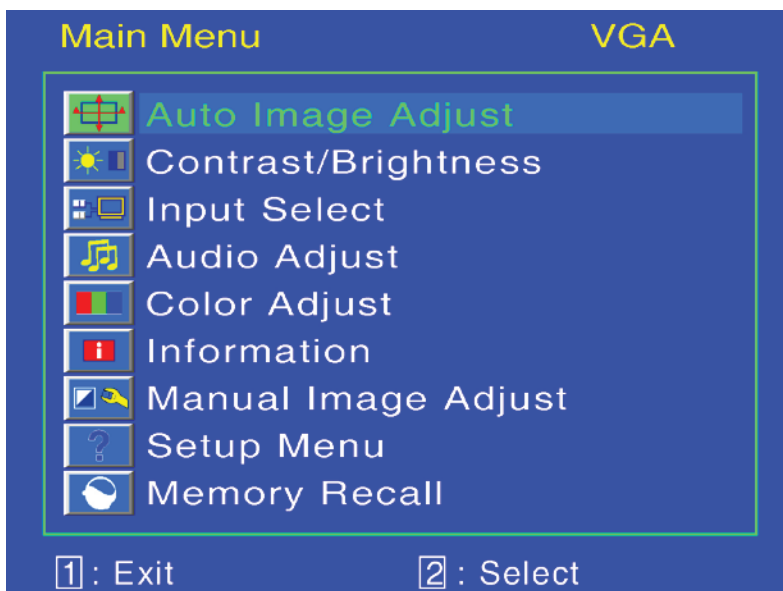


- 7 ENTRADA AC
- 8 ENTRADA DVI (24 PIN DVI)
- 9 ENTRADA VGA (15 PIN D-SUB)
- 10 ENTRADA DE SONIDO

Usando las funciones "On Screen Display(OSD)"

1	Muestra el menú principal.
	Salte del menú OSD.
2	Atajo para exhibir el ajuste selecto de la fuente de la entrada cuando no en menú de OSD.
	Confirma la selección.
▼	Seleccione el artículo deseado cuando en menú de OSD.
	Cuando no en menú de OSD, se direcciona para exhibir la pantalla del control del ajuste del brillo/contraste/DCR/ECO Mode.
▲	Seleccione el artículo deseado cuando en menú de OSD.
	Cuando no en menú de OSD, se direcciona para exhibir la pantalla del control del ajuste del modo de Opticolor.
▼ + ▲	Vuelve a llamar el Contraste y Brillo.
1 + ▼	Bloquea suministro (cuando no se encuentra en el menú OSD).
1 + ▲	Bloquea OSD (cuando no se encuentra en el menú OSD).

Menú principal (Main Menu)



Función de los atajos



Ajuste automático (Auto Image Adjust) : Ajuste automático de posición horizontal, posición vertical, fase (ajuste fino) y reloj (Tamaño-H).



Contraste (Contrast) : Ra ajustar el nivel de blanco de la imagen en pantalla.
▲ : aumentar contraste, ▼ : disminuir contraste.



Brillo (Brightness) : Para ajustar la luminancia del vídeo.
▲ : aumenta el brillo, ▼ : reduce el brillo.

DCR : Permite el usuario Encender o Apagar el DCR.

ECO Mode : Permite el usuario Encender o Apagar el ECO. El ajuste de Contraste y Brillo está desactivado cuando ECO está activo.



Seleccionar entrada(Input Select) : Permite que el usuario cambie la señal de entrada al análogo, a HDMI o a DVI.



Ajuste de sonido (Audio Adjust) : Para ajustar las funciones de audio.

Volumen : Para ajustar el volumen de los altavoces.

Silencio : Para activar y Encendido el Desactivado.




Ajuste de color (Color Adjust) : Para seleccionar el color para mejorar el brillo y la saturación de color entre 9300K, 6500K, 5400K, y Color de Usuario.

9300K : Añade azul a la imagen para hacer el blanco más frío.

6500K : Añade rojo a la imagen para hacer el blanco más cálido y el rojo más **intenso**.

5400K : Añade verde a la imagen para hacer los colores más oscuros.

Color de usuario (User Color) : Ajustes individuales para rojo (R), verde (V), azul (A).

1. Pulse el botón  para fijar el ajuste y seleccione el siguiente color a ajustar.
2. Pulse ▼ o ▲ para ajustar el color seleccionado..



Información (Information) : Muestra información acerca de la entrada actual desde la tarjeta gráfica de su ordenador.

Nota: Consulte el manual de su tarjeta gráfica para más información acerca del cambio de resolución y velocidad de fotograma.



Ajuste manual de la imagen (Manual Image Adjust) : Ajusta la Tamaño horizontal, posición H.V., Sintonizar, Nitidez, Video Mode adjust y Tono Opticolor.



Tamaño horizontal (Horizontal Size) : Ajusta la anchura.

▼ : disminuye la anchura de la imagen en pantalla, ▲ : aumenta la anchura de la imagen en pantalla.



Posición H./V. (H./V. Position) : Para ajustar la posición horizontal y vertical del video.

Posición H. : ▲ : mueve la pantalla a la derecha, ▼ : mueve la pantalla a la izquierda.

Posición V. : ▲ : mueve la pantalla hacia arriba, ▼ : mueve la pantalla hacia abajo.



Sintonizar (Fine Tune) : Para ajustar el retardo temporal.

Pulse ▲ o ▼ para ajustar a la preferencia del usuario.



Nitidez (Sharpness) : Para ajustar la claridad de una señal no Full HD (1920x1080) con el botón ▼ o ▲.



Video Mode Adjust : Para seleccionar el modo vídeo de "Full Screen", "Over Screen" o "Proporción de Aspecto".

Full Screen: Para seleccionar la imagen de tamaño de la pantalla entera.

Over Screen: Para seleccionar la imagen de tamaño superior de la pantalla.

Proporción de Aspecto (Aspect Ratio) : Restaure la resolución (Non-16:9) para el de plena pantalla. Para poder exhibir imágenes.



Tono OptiColor (OptiColor Mode): provee un ambiente de muestra óptimo dependiendo de los contenidos mostrados. Contiene 5 preconfiguraciones elegibles por usuario.

Estándar (Standard) es para el ambiente Windows en general y la configuración predefinida del monitor.

Juego (Game) optimizado para el ambiente de juego de PC.

Cine (Cinema) optimizado para el ambiente de película y vídeo.

Paisaje (Scenery) optimizado para mostrar imágenes de escenas al aire libre.

Texto (Text) optimizado para editar y visualizar texto en un ambiente de precesamiento de texto.



Menú de configuración (Setup Menu) : Para selección de Idioma, Visualización en pantalla, Interruptor de OSD y Visualización de OSD.



Selección de idioma (Language Select) : Permite al usuario escoger entre los idiomas disponibles.



Visualización en pantalla (OSD Position) : Oprima el botón ▲ o ▼ para seleccionar entre el ajuste de Posición OSD horizontal y vertical.

Posición H. : Para ajustar horizontalmente la posición OSD.

▲ : mueve el OSD a la derecha, ▼ : mueve el OSD a la izquierda.

Posición V. : Para ajustar verticalmente la posición OSD.

▲ : sube el OSD, ▼ : baja el OSD.



Interruptor de OSD (OSD Time Out) : Para apagar automáticamente la Muestra En Pantalla (OSD) después de un período de tiempo prefijo.



Visualización de OSD (OSD Background) : Activar o desactivar el fondo de la presentación en pantalla.



Restituir memoria (Memory Recall) : Para llamar las configuraciones de fábrica de vuelta para los controles Vídeo & Audio. Oprima el botón **2** para seleccionar la opción de menú Memoria.

Tiempos soportados

VGA	720 x 400 @ 70Hz
VGA	640 x 480 @ 60Hz
VESA	640 x 480 @ 75Hz
VESA	800 x 600 @ 60Hz
VESA	800 x 600 @ 72Hz
VESA	800 x 600 @ 75Hz
VESA	1024 x 768 @ 60Hz
VESA	1024 x 768 @ 70Hz
VESA	1024 x 768 @ 75Hz
VESA	1280 x 960 @ 60Hz
VESA	1280 x 1024 @ 60Hz
VESA	1280 x 1024 @ 75Hz
VESA	1440 x 900 @ 60Hz
VESA	1440 x 900 @ 75Hz
VESA	1600 x 1200 @ 60Hz
VESA	1680 x 1050 @ 60Hz
VESA	1920 x 1080 @ 60Hz

Sincronización favorable cuando en modo de HDMI

480i
480p
576i
576p
720p
1080i
1080p

Aviso : No configure la tarjeta gráfica de su ordenador de forma que exceda estas frecuencias máximas de refresco. Si lo hace podría dañar permanentemente su monitor.

Información Técnica

Especificaciones Técnicas

Pantalla LCD	23.6" TFT
Administración de energía	En conformidad con Energy Star Compatible con VESA DPMS compatible < 1 W
Resolución admitida	Full HD máximo 1920 x 1080. Frecuencia Vertical máxima 60Hz.
Tamaño de píxeles	0.2715 x 0.2715 mm
Colores	16.7M (6bits + Hi FRC)
Inclinación	0°~20°
Área activa de la pantalla	521.3 mm x 293.2 mm
Temperatura	Funcionando: 0°C ~ +40°C Almacenado: -20°C ~ + 60°C
Conformidad	UL, FCC-B, Energy Star,
Tensión de entrada	Input Voltage AC100-240 V
Salida del altavoz	2W x 2
Entrada de señal	VGA, DVI, HDMI

Mantenimiento y Cuidado

Cuidado

- Evite exponer el monitor directamente a la luz del sol o otra fuente de calor.
- Coloque su monitor lejos del sol para reducir el deslumbramiento.
- Coloque su monitor en un área bien ventilada. No ponga nada pesado sobre el monitor.
- Asegúrese de que el monitor esté instalado en un área limpia y libre de humedad.
- Mantenga el monitor lejos de imanes, objetos magnéticos, motores, transformadores, parlantes y televisores.

Sugerencias de Seguridad

- Si humo, o algún olor o ruido anormal sale de su monitor, desenchúfelo inmediatamente y llame al servicio técnico.
- Nunca quite la cubierta trasera o delantera del monitor. La unidad de visualización de adentro contiene partes de alto voltaje que podrían causar golpes eléctricos sobre el cuerpo humano.
- Nunca trate de reparar su monitor usted mismo. Llame siempre a su servicio técnico o a un técnico cualificado para arreglarlo.

Solución de Problemas

No enciende (El indicador de energía no se enciende y no hay imagen)

- Asegúrese que el cable del monitor esté bien conectado al transformador o adaptador de corriente y este al enchufe de la corriente.
- Enchufe otro electrodoméstico en el mismo enchufe para verificar que el mismo está suministrando un voltaje correcto.
- Asegúrese que todos los cables cortos estén bien instalados.

El indicador de energía es verde pero no hay imagen de pantalla

- Asegúrese que el cable de video suministrado con el monitor esté bien conectado al puerto de salida de video en la parte de atrás de su computadora. Si no está firmemente conectado, conéctelo nuevamente.
- Ajuste el brillo.

Colores extraños o anormales

- Si algún color (rojo, verde, azul) están faltando, revise el cable de video para asegurarse que este está bien conectado. Pins sueltos o quebrados en el cable conector podrían causar una conexión impropia o deficiente.
- Conecte el monitor a otra computadora.

“Sin señal” el mensaje aparece en la pantalla

- Cerciórese de que la computadora esté girada y que el cable del monitor está conectado y/o no tiene correctamente ningún perno doblado.

Información de la garantía

Swinton Avenue Trading, Inc. Garantía limitada de un año para el producto

Esta garantía limitada cubre la adquisición original de un producto nuevo utilizado con fines comerciales, personales o domésticos normales. Swinton Avenue Trading, Inc. (SAT) garantiza que sus productos estarán exentos de defectos materiales y de fabricación (a excepción de los derivados de un uso y desgaste normal) durante un (1) año a partir de la fecha de compra del producto, con la salvedad de lo dispuesto a continuación. SAT, a su discreción, sustituirá de forma gratuita por un producto de características similares cualquier producto adquirido que no soporte unas condiciones de uso normales como consecuencia de dicho defecto. Esta garantía no se aplica a daños causados por incendio, accidente, negligencia, uso incorrecto o cualquier otro uso no especificado en las instrucciones del producto, así como a daños causados por una limpieza incorrecta o por otras circunstancias no atribuibles de forma directa a defectos en los materiales y la fabricación.

Es necesario presentar el recibo (copia u original) como prueba de compra para validar la garantía. Si no tiene una copia del recibo de la tienda y realizó el pago mediante cheque o tarjeta de crédito, puede conseguir una copia a través del departamento de recuperación de recibos de Office Depot en el teléfono [1-800-721-6592](tel:1-800-721-6592).

En el caso de que Swinton Avenue Trading decida reembolsar dicho producto, este reembolso se realizará mediante una tarjeta comercial de Office Depot. Las reclamaciones realizadas a través de este método se procesarán en aproximadamente 90 días.

ESTAGARANTÍALIMITADADESATSUSTITUYEATODASLASDEMÁS GARANTÍAS, YA SEAN EXPLÍCITAS O IMPLÍCITAS. QUEDAN EXPRESAMENTE EXCLUIDAS TODAS LAS GARANTÍAS DE ADECUACIÓN PARA UN DETERMINADO FIN O COMERCIABILIDAD. LA ÚNICA OBLIGACIÓN DE SAT Y EL ÚNICO RECURSO DEL USUARIO EN VIRTUD DE ESTA GARANTÍA CONSISTIRÁ EN LA REPARACIÓN, REEMBOLSO (MEDIANTE UNA TARJETA COMERCIAL DE OFFICE DEPOT) O SUSTITUCIÓN, SEGÚN ESTIME OPORTUNO SAT Y ASUMIENDO TODOS LOS COSTES, DEL PRODUCTO O SUS COMPONENTES.

EN NINGÚN CASO SAT, SUS AFILIADOS, SUBSIDIARIOS O EMPRESAS MATRICES SERÁN RESPONSABLES DE DAÑOS DERIVADOS, ESPECIALES O NO INTENCIONADOS PROCEDENTES DE UNA RECLAMACIÓN POR UN PRODUCTO DEFECTUOSO, AUNQUE SE HAYA ADVERTIDO A SAT DE LA POSIBILIDAD DE TALES DAÑOS.

ALGUNAS ESTADOS O PROVINCIAS NO PERMITEN LA EXCLUSIÓN DE GARANTÍAS IMPLÍCITAS, LAS LIMITACIONES SOBRE LA DURACIÓN DE UNA GARANTÍA IMPLÍCITA O LA EXCLUSIÓN O LIMITACIÓN DE DAÑOS DERIVADOS O NO INTENCIONADOS, POR LO QUE ES POSIBLE QUE LAS LIMITACIONES MENCIONADAS NO SE APLIQUEN EN SU CASO. ESTA GARANTÍA OTORGA AL USUARIO DERECHOS LEGALES ESPECÍFICOS; ADEMÁS, ES POSIBLE QUE GOCE DE OTROS DERECHOS QUE VARÍAN SEGÚN EL ESTADO O LA PROVINCIA.

ESTA GARANTÍA SE APLICA SÓLO EN EE. UU. Y CANADÁ.

Para el servicio, llame por favor 1-877-777-HELP (1-877-777-4357)