

**Description**

The **ASTATIC 901R** is a superior low noise, electret condenser cardioid surface mounted boundary microphone. It has been redesigned with improved RF immunity to greatly reduce susceptibility to radio interference from GSM based cell phones, PDA/cell phones with walkie-talkie capability and other similar devices. It is ideal for use on altars, conference tables, stage floors, or television productions.

The **901R**'s electronics features an advanced transformerless design and is self-contained to eliminate the need for mounting any external boxes. The cardioid pickup pattern minimizes annoying feedback when used close to sound reinforcement speakers and monitors, while reducing the pickup of unwanted off axis sounds. The integral 80Hz, 12dB/oct hi-pass filter removes unwanted low frequency energy. .

The die cast zinc base and double layer perforated steel screen construction makes this microphone extremely rugged. The **901R** can also be permanently mounted on most flat surfaces with the supplied wood screws. The **901R** comes with 30 feet of high quality microphone cable that has a miniature 3 pin connector on the microphone end and a standard professional XLR type connector on the opposite end. The **901R** will operate with any equipment that supplies standard P12, P24 and P48 volt phantom power.



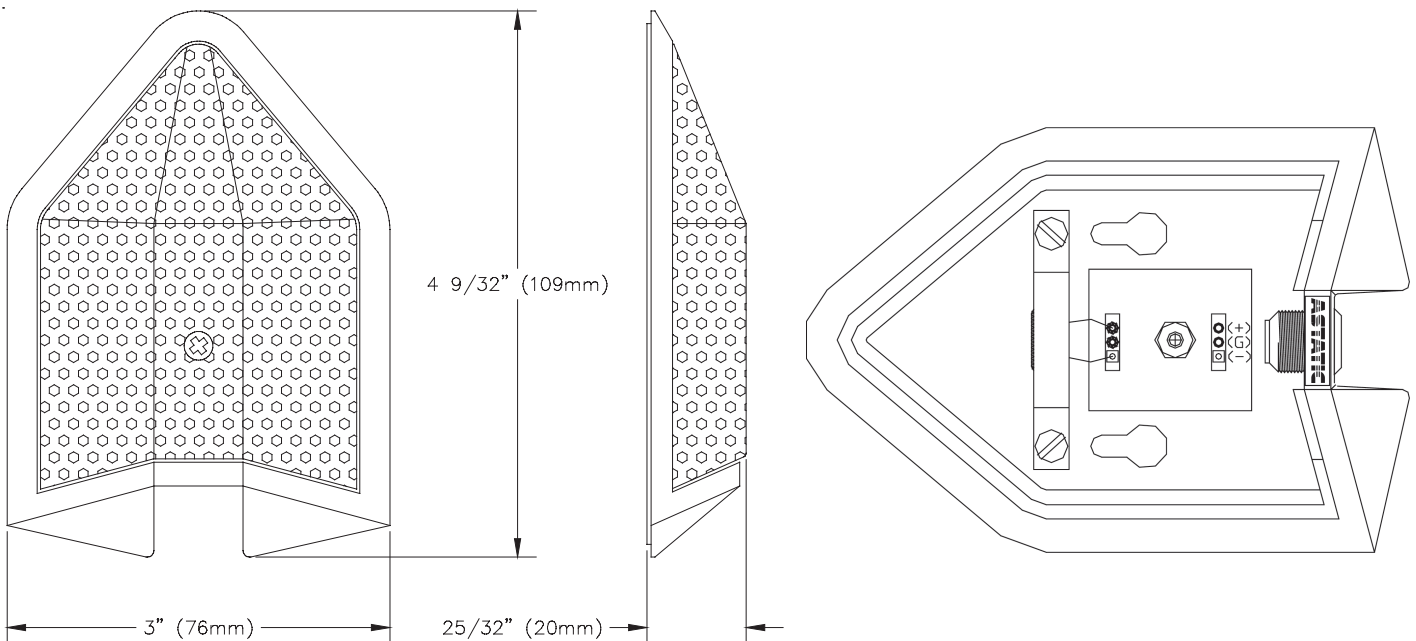
**ASTATIC Quality**

All **901R** microphones are audio tested and inspected prior to shipment. Our absolute commitment to quality insures that **ASTATIC** microphones remain the **Best Value** in today's competitive industry.

**Operation and Maintenance**

The **901R** is one of the finest boundary microphones available.

If the mic body becomes soiled by dirt or residue, it may be cleaned using the following procedure. Remove the top screw and lift off the top screen and remove the foam windscreen. Wash the foam windscreen using a mild detergent, and let dry thoroughly. To clean the mic housing, use a cloth dampened with isopropyl alcohol.



## Specifications\*

### Generating Element:

Electret Condenser

### Polar Pattern:

Cardioid

### Frequency Response:

100 Hz - 20 kHz

### Sensitivity Level:

-33 dBV (22mV) @ 1Pa

### Impedance:

150 ohms

### Self Noise:

25dBA

### Maximum SPL:

127 dB, 1% THD, 1kHz

### Powering:

P12, P24 and P48, 2.4mA

### Phasing

Positive pressure on diaphragm generates a positive voltage on pin 2 relative to pin 3

### Finish:

901R - Durable black urethane

### Dimensions:

(See drawing on other side)

### Net Weight:

190 grams (6.7 oz.)

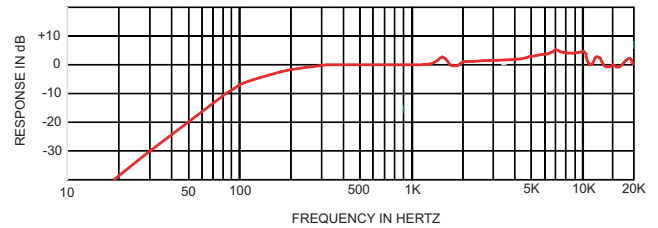
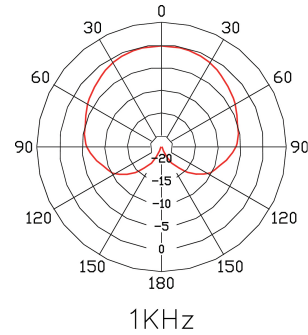
### RF Immunity:

Exceeds EN55103-2, E1, E2, E3 and E4

### RoHS Compliant

\*In our constant efforts to maintain excellence, ASTATIC reserves the right to change these specifications at any time and without prior notice.

## SPECIFICATIONS FOR 901R



CE



## Architects' and Engineers' Specification

The microphone shall be a **ASTATIC 901R**. The microphone shall be a miniature electret boundary microphone. The frequency response will be 100 - 20kHz. The microphone shall contain in itegral 80Hz / 12dB / oct hi-pass filter to remove unwanted low frequency energy. The microphone shall have a cardioid polar pattern in the horizontal plane.

The sensitivity of the **901R** shall be -33 dB (22mV) @ 1 Pa. The microphone shall have a miniature 3 pin connector and be supplied with a 30 foot cable that has a mating connector on one end and a professional 3 pin XLR type connector on the other end. The microphone shall operate from standard P12, P24 and P48 phantom power with a current consumption of less than 3 mA.

The dimensions of the microphone shall be 4-9/32" (109mm) long, 3" (76mm) wide, and 25/32" (20mm) high. The weight shall be 6.7 oz. (190 grams) not including the cable. The microphone shall have a durable urethane painted finish. The **901R** shall be black with a black cable.

The **ASTATIC Model 901R** is specified.

## User Techniques and Applications

The **901R** should be used on a large flat surface located preferably in the center positioned with the front of the microphone facing the sound source.

The surface can be a part of the structure such as a wall or ceiling, or any flat object such as a table with equally good results. Best results will be obtained from larger smooth surfaces of at least 4'x4' with no obstructions. Smaller surfaces will reduce low frequency sensitivity.

## TWO-YEAR LIMITED WARRANTY

Omnitronics, LLC ("ASTATIC") hereby warrants that this product will be free of defects in material and workmanship for a period of two years from the date of purchase. In the unlikely event a defect occurs ASTATIC will, at its option, either repair or replace with a new unit of equal or greater value. You should retain proof of purchase to validate the purchase date and return it with any warranty claim. Return warranty claims carefully packed, insured and prepaid to the Service Department at the address listed below.

This warranty excludes exterior finish or appearance, damage from abuse, misuse of the product, use contrary to ASTATIC's instructions or unauthorized repair. All implied warranties or merchantability or fitness for a particular purpose are hereby disclaimed and ASTATIC hereby disclaims liability for incidental, special or consequential damages resulting from the use or unavailability of this product.

This warranty gives you specific legal rights and you may also have other rights which vary from state to state. Some states do not allow the exclusion or limitation of incidental or consequential damages or limitations on how long an implied warranty lasts, so the above exclusions and limitations may not apply to you.

Note: No other warranty, written or oral is authorized by Omnitronics, LLC