

# LI 670 B-S-X-W



**Dishwasher  
Care and Use Manual**



**Lave-vaisselle  
Guide d'utilisation et d'entretien**



**Lavavajillas  
Manual de uso y cuidado**

# Quick guide to your dishwasher

This manual explains easily what your new dishwasher has to offer. In addition, you will discover a world of useful hints and handy tips to help you get a better wash from your dishwasher and to make it last longer.

## 1. Introduction (p.2)

Find important safety instructions to best utilize your valuable purchase.

## 2. Control panel at a glance (p.3)

Learn to get to know the parts which make up your dishwasher. This is where you will find the description of the controls and the internal parts.

## 3. How to load your dishes (p.4)

This page includes useful tips to help you load your dishwasher correctly and make the most of all the available space.

## 4. How to start your dishwasher (p.5)

After loading the dishes, you need to select the right wash cycle and measure out the correct dose of detergent and rinse aid. Reading these pages will help you through all the wash phases.

## 5. Detergent and rinse aid (p.6)

Learn the right usage of detergent and rinse aid for best washing results.

## 6. Washing cycles (p.7)

Select the right wash cycle for your dishes. Selecting the most suitable wash cycle for the load ensures clean dishes and a more convenient use of water and electricity.

## 7. Salt: a helpful extra (p.8)

Using salt can improve the performance of your dishwasher. Learn more about its potential.

## 8. Troubleshooting (p.8)

Before calling customer care, have a look here: a lot of problems can have an immediate solution. If you can't manage to solve it yourself, then call the Ariston customer care line and any problem will be solved as quickly as possible.



## 9. Washing special items (p.9)

Before washing anything in the dishwasher check the information provided by this section.

## 10. Special care and maintenance (p.10)

Once in a while, once a month, spend a little time on the filter assembly and the sprayer arms. This is where you can learn how.

## 11. Keeping your dishwasher in shape (p.10)

Respect the few rules you will find here, and the result will be a better performing dishwasher.

## 12. Technical characteristics (p. 3)

All your appliance's technical data, in accordance with norms and regulations.

## 13. Warranty (p.11)

Ariston supports its products by means of after-sales services and assistance, offering you special warrantees, professional assistance as well as quality spare parts and accessories. To find out more, call the Ariston Customer care line.

# Introduction

***Congratulations on the purchase of your new Dishwasher. Please spend a few moments reading the User Manual. This will show you ways to best utilize your valuable purchase.***

⇒ Read through this guide before using your new dishwasher

⇒ Read and obey all safety messages.

⇒ For Your Records  
Write model and serial numbers here.  
You can find them on the front of the machine and inside of the door opening.

**Model #:** .....

**Serial #:** .....

# Important Safety Instructions

## Your safety and that of your children



**WARNING** -When using your dishwasher follow basic precautions including the following:

- ➔ Read all instructions before using your new dishwasher. Ariston dishwashers are providing two manuals: one Installation Instruction manual and one Care and Use manual. Read them carefully and save them for future references.
- ➔ Use the dishwasher only for household use and for its intended function.
- ➔ Use only detergents or wetting agents recommended for use in a dishwasher and keep them out of the reach of children.
- ➔ When loading items to be washed:
  - a) locate sharp items so that they are not likely to damage the door seal; and
  - b) load sharp knives with the handles up to reduce the risk of cut-type injuries.
- ➔ Do not wash plastic items unless they are marked "dishwasher safe" or the equivalent. For plastic items not so marked check the manufacturer's recommendations.
- ➔ Do not operate your dishwasher unless all enclosure panels are properly in place.
- ➔ Do not tamper with controls.
- ➔ Do not abuse, sit on, or stand on the door or dish rack of the dishwasher.
- ➔ Do not allow children to play in or on the dishwasher to avoid risk of injury.
- ➔ Under certain conditions, hydrogen gas may be produced in a hot water system that has not been used for two weeks or more. **HYDROGEN GAS IS EXPLOSIVE.** If the hot water system has not been used for such a period, before using the dishwasher turn on all hot water faucets and let the water flow from each for several minutes. This will release any accumulated hydrogen gas. As the gas is flammable, do not smoke or use an open flame during this time.
- ➔ Remove the door to the washing compartment when removing an old dishwasher from service or discarding it.
- ➔ Dishwashers must be electrically grounded. Read the Installation Instructions for details.
- ➔ Do not run the dishwasher while you are out of home.
- ➔ A qualified technician should do all repair work.
- ➔ Do not touch the heating element during or immediately after use

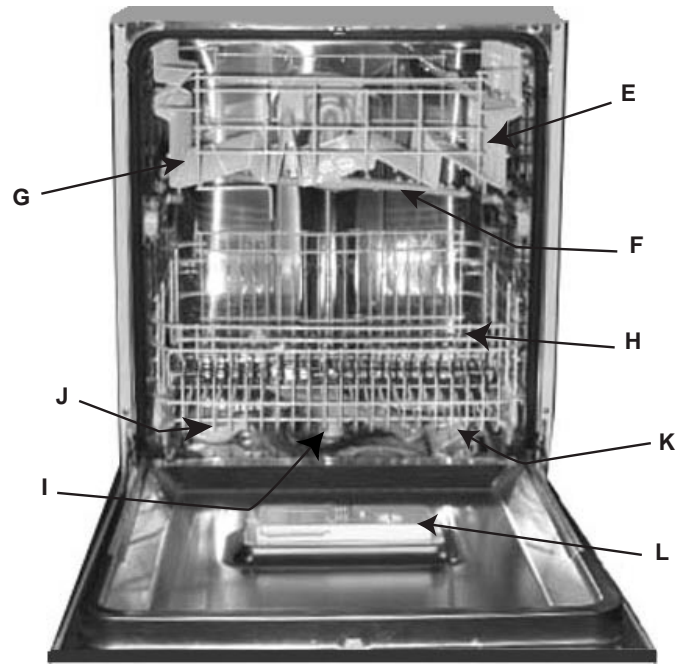
**Save these instructions**

## Let's open up your dishwasher together

# How is it made?

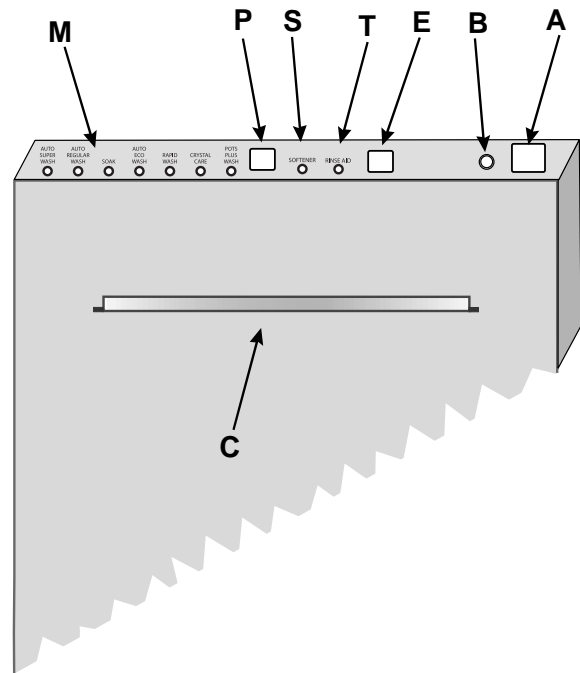
Get to know the parts which make up your dishwasher.

- |                         |                                      |
|-------------------------|--------------------------------------|
| E. Upper rack           | I. Bottom spray arm                  |
| F. Top spray arm        | J. Salt container cap                |
| G. Rack height adjuster | K. 4 piece filter                    |
| H. Lower rack           | L. Detergent and rinse aid dispenser |



## Control panel at a glance

- |  |  |
|--|--|
| A. <b>ON-OFF Button</b><br>Press this button to switch the appliance on.   | S. <b>Low salt indicator light</b><br>To tell you that it's time to add more salt.           |
| B. <b>ON-OFF Indicator light</b><br>This light informs you that the dishwasher is on.  | T. <b>Low rinse aid indicator light</b><br>To tell you that it's time to add more rinse aid. |
| C. <b>Handle for opening door</b><br>models with door only   |  |
| E. <b>Extra drying button</b><br>Press the button for improved drying.   |  |
| P. <b>Cycle select button</b><br>Each time this button is pressed, one of the cycle indicator lights M will come on in sequence. |  |
| M. <b>Cycle indicator light</b><br>This light informs you which cycle you have selected or the one in progress.                  |  |




# Technical Characteristics

Technical characteristics	
Width	inches 23,62 -24* (60 cm.)
Depth	inches 23,62 (60 cm.)
Height	inches 32 <sup>1/4</sup> -34 <sup>1/2</sup> (82-87,5 cm.)
Capacity	12 standard place settings
Mains water pressure	4,3 psi-145 psi 30 KPa÷1MPa (0,3 ÷10 bar)
Power voltage	See data plate
Total absorber power	See data plate
Fuse	See data plate

\* with the pre-installed filler strips

This dishwasher conforms to the following Standards for U.S.A and Canada:

• UL 749 

• ANSI/AHAM DW-1-1992

# How to load your dishes

Before washing, a few small steps can help you get a better wash and keep your dishwasher performing to its best. Remove the largest scraps of food left over on your plates, soak saucepans and frying pans with tough baked on food. After loading your dishes, make sure the blades on the sprayer arm turn well. Do not place glasses and cups on top of one another, and make sure the dishes are not touching.

## First.

Before placing the dishes in the racks, remove the largest scraps of food left over on your plates, you will thus avoid blocking the filter, which would reduce the efficiency of the wash. If the saucepans and frying pans are very dirty, allow them to soak before being washed. To make it easier to load your dishes, pull the racks out.

## What goes into the upper rack?

Place delicate and lightweight dishes in the upper rack: glasses, tea cups and coffee cups, saucers - but plates too - shallow salad bowls, slightly dirty frying pans and shallow pans.

Position light weight dishes in such a way as to avoid their being moved by the spray of water.

The appliance can also be equipped with one or two tip-up compartments onto which you can place mugs and cups, as well as long sharp knives and serving cutlery.

After loading the dishes, remember to check that the blades on the sprayer arms can turn freely without hitting against any dishes.

## What goes into the lower rack?

We recommend you place the most difficult dishes to wash into the lower rack: saucepans, lids, soup bowls and plates (a load example is shown in the photo).

- **Serving dishes and large lids:** place them on the sides of the rack.
- **Saucepans, salad bowls:** must always be placed upside down
- **Very deep dishes:** place them obliquely, thus allowing water to run down them and cleaning them better

The cutlery basket can be split up by pulling out the handle.


When you only have little cutlery to wash, you can use just half the basket; save space for other crockery or place the other half of the basket in the upper rack instead (see figures A and B).

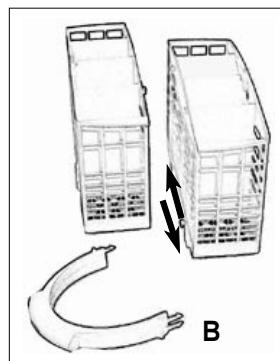
This basket is equipped with two removable grids: insert the cutlery one by one into the slots.



There are two handles on the sides of the upper rack: use these to adjust its height (see fig. C)

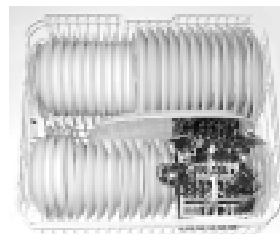
## Warning:

 knives and utensils with sharp blades or tips should be positioned with the sharp parts at the bottom. Position all cutlery items so that they don't touch.

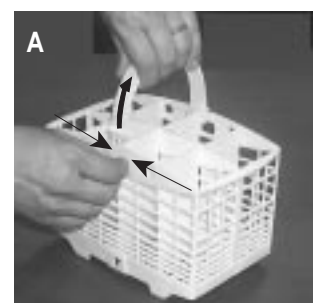
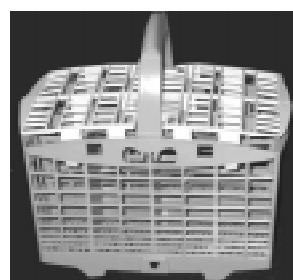


## How to use our racks

lower rack



upper rack



## Starting the dishwasher

# Ready, steady, go!

You have loaded your dishes and you now have to set the wash cycle. It takes just one minute to learn how

After performing all the operations described in the previous paragraphs, if accessible turn the water tap on, open the appliance door and press on-off button "A": indicator light "B" comes on.

Your appliance is now on and awaiting instructions.

### Selecting the wash cycle.

Select the wash cycle by pressing button "P". Each time this button is pressed, one of the indicator lights "M" will come on in sequence, select the wash cycle you deem most suitable for the type of dishes to wash (take a look at page 7, where you will find the wash cycle table). Close the appliance door and after a few seconds, you will hear a short beep: the wash cycle has begun.

### Modifying a wash cycle in progress.

If you have chosen the wrong cycle, not to worry! You can modify the wash cycle in progress, if it has only just started. Open the appliance door carefully to avoid any hot water splashes, then keep button "P" pressed for approximately 5 seconds, until you hear a short beep. Indicator light "M" will come off and at this point, all the settings will have been cancelled. You are now free to re-set the correct wash cycle.

### You've left out a dish?

Well, it happens to everyone. Interrupt the wash cycle by opening the appliance door with the utmost care, as usual, then insert the dish you had forgotten. When you shut the appliance door, the cycle will start up from where you interrupted it.

### Finished?

The end of the wash cycle is indicated by a double beep and the flashing of the wash cycle indicator light "M". Open the dishwasher door, press the ON-OFF button as well, thus cutting off the electricity supply to the appliance.

If accessible turn off the water tap.

Wait a few minutes before unloading the dishes: they are very hot! If you wait a little while, they dry better thanks to the steam.

### Empty the lower rack first.



**If opening the door soon after the end of the program, or during it, stand away from the Dishwasher, to avoid possible injury from hot steam.**



### There's been a power failure? Have you opened the dishwasher door?

The wash cycle stops and then restarts when the electricity comes back on or when you shut the door. Everything is under control!

### Do you want extra drying?

Press button "E" before you start the selected wash cycle. A long beep will tell you that you have selected extra drying and the wash cycle will last longer in order to provide you with drier dishes.

You can cancel the wash cycle in progress, if it has only just started.

Make sure the wash cycle has ended before removing the dishes!

# Detergent and rinse aid

Only use specific dishwasher detergents. Pour the detergent into the dispenser on the inside of the door. Before the wash cycle starts!

## The detergent

### Loading the detergent

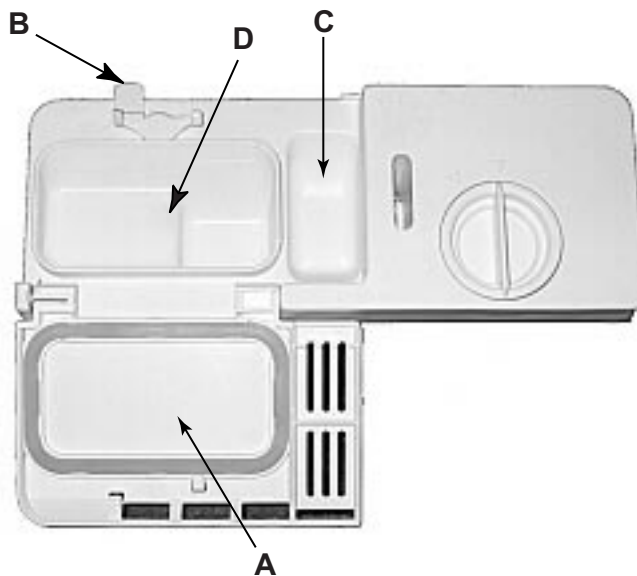
To open lid A, press button B. The detergent should be poured into the two containers C and D up to the rim.

Now you can close the lid: press it down until you hear it click.

If you prefer to use the detergent in tablets, place one of these in container "D". Now you can close the lid: press it down until you hear it click.

### It won't close!

Check whether there is any detergent residue on the edges of the dispenser. It is due to this residue that the lid won't close. Get rid of it and you'll see that it closes.



**WARNING!**  
Detergent is corrosive!

Take care to keep it out of reach of children

- Using too much detergent does not provide a better wash or cleaner dishes. Use only a proportional amount to the size of the wash.

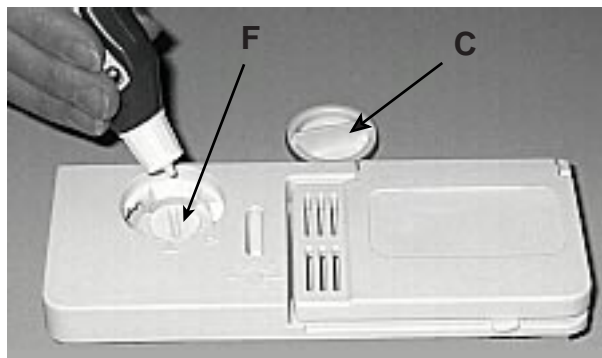
- Keep your dishwasher detergent and rinse aid in a cool and dry place.

## Rinse aid.

Rinse Aid makes dishes sparkle and improves the drying. The rinse aid container is situated on the inside of the appliance door; you should refill it when the indicator light "T" flashes.

### Loading the rinse aid.

To open the dispenser, turn cap C counter clockwise. Take care when you pour in the rinse aid to avoid it overflowing. You can adjust the amount of rinse aid used by the dishwasher: regulate the adjuster F which you will find under lid C.



You can choose from six different positions. It is normally set to 4.

Proper dosage of the rinse aid improves drying. If drops of water remain on the dishes or spotting occurs, turn the dosage adjuster to a higher setting. If, on the other hand, the dishes have white streaks, then turn the dosage adjuster down to a lower setting.

# Select the right wash cycle A wash cycle for every degree of soil

Dishwasher washing guarantees your dishes will be cleaned in a sanitized setting for safer, cleaner results.

Salt, rinse aid, the right amount of detergent and the correct wash cycle: this is the formula to get the best results and to keep your dishwasher in shape

To optimise consumption levels, try to use the dishwasher with a full load only. If it takes some time to fill up your dishwasher, use the soak cycle to avoid the formation of bad odours and caked-on food.

"AUTO" wash cycles  
This means that your dishwasher is equipped with a sensor which evaluates how dirty your dishes are and allows these wash cycles to adjust automatically, to provide you with a more efficient and economic wash cycle.

Cycle	Cycle selection instructions	Cycle description	Detergent for pre-wash + wash	Rinse Aid	Wash cycle duration (tolerance $\pm 10\%$ without extra drying)
<b>Auto Super Wash</b>	Very dirty dishes and pans (not to be used for delicate items)	Pre-wash with hot water at 95°F Wash at 140°F 2 cold rinses Hot rinse at 149°F Drying	<b>0.35 + 1.6oz. (10+45 g)</b>	*	<b>125'</b>
<b>Auto Regular Wash</b>	Cycle for normally dirty pans and dishes. Standard daily cycle.	Wash at 122°F Cold rinse Hot rinse at 153°F Drying	<b>1.7oz. (50 g)</b>	*	<b>100'</b>
<b>Soak</b>	Rinsing cycle used while awaiting more dishes to be loaded from the next meal.	Short cold wash to prevent food from drying onto the dishes			<b>12'</b>
<b>Auto Eco Wash</b>	Environmentally-friendly cycle, with low energy consumption levels, suitable for normally dirty pans and dishes.	2 Cold pre-washes Extended wash at 113°F Hot rinse at 149°F Drying	<b>0.35 + 1.6oz. (10+45 g)</b>	*	<b>160'</b>
<b>Rapid Wash</b>	Economic and fast cycle to be used for slightly dirty dishes. Run cycle immediately after use. Without drying.	Short wash at 113°F Hot rinse at 122°F	<b>1.6 oz. (45 g)</b>		<b>30'</b>
<b>Crystal Care</b>	Special cycle to be used for more delicate items which are sensitive to high temperatures. Run cycle immediately after use.	Wash at 122°F Warm rinse at 104°F Hot rinse at 149°C Drying	<b>1.6 oz. (45 g)</b>	*	<b>120'</b>
<b>Pots Plus Wash</b>	This cycle guarantees a very strong wash and it is especially suitable for pots and pans. This cycle should not be used for delicate items.	Cold pre-wash Wash at 122°F Warm rinse at 104°F Hot rinse at 149°C Drying	<b>0.18 + 1.6oz. (5+45 g)</b>	*	<b>130'</b>



# Never without salt Water in your home

Water hardness varies according to where you live. If the water in your home is hard you have the possibility to add salt in order to soften your water. The softer the water the better will be your washing and drying results.

## Loading the salt.

You can use special water softening salt or normal rock salt. The salt container is situated underneath the lower rack, fill it up as follows:

1. Pull out the lower rack completely, unscrew and remove the container cap
2. Is it the first time you load the salt? First fill the container up with water (you won't have to do this again next time)
3. Put the dishwasher funnel on the hole and pour in approximately 70 oz. of salt. It is normal that some water comes out of the container.
4. Screw the cap back in place carefully.



## When should I load the salt?

The salt container should be filled up when the low salt indicator light "S" flashes. Your appliance will remind you to do so for 5 consecutive wash cycles.

## Intelligent salt.

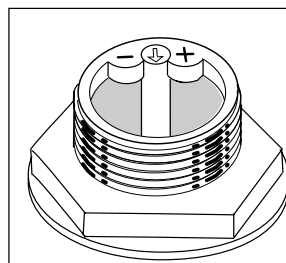
Your dishwasher can adjust its salt consumption according to the hardness of the water in your home. This way, you can optimise and customise your dishwasher's salt consumption (not too much, nor too little).

To adjust salt consumption, do as follows:

1. Unscrew the salt container cap
2. There is an arrow on the neck of the container (see figure): if necessary, turn the arrow anti-clockwise from the "-" setting to the "+" setting.

Select the arrow position depending on the water hardness, referring to the table provided.

Water Hardness					
Clarke degrees	°fH	mmol/l	Selector position	Salt consumption (Oz/cycle)	Autonomy (cycles\ 70oz.)
0 - 14	0 - 17	0 - 1,7	/	0	/
14 - 36	18 - 44	1,8 - 4,4	"-"	0.7	60
36 - 71	45 - 89	4,5 - 8,9	MED	1.4	40
>71	> 89	> 8,9	"+"	2.1	25



If you don't know your water hardness ask your local water supplier.

**NOTE: if you don't find special water softening salt you can also use normal rock salt.**

## Troubleshooting

# If you have a problem, read this

Your dishwasher may not work or not function properly. In many cases, these are problems which can be solved without having to call for a technician. Before calling the customer care center, always check the points below.

### The dishwasher won't start

- Is the water supply tap turned on?
- Is the water supply tap connected to the hose properly?
- Has the water in your home been cut off?
- Is the pressure of the water supply sufficient?
- Is the hose bent?
- Is the filter on the water supply hose blocked?
- Is the dishwasher door open?

### The dishes are not clean.

- Have you put the right amount of detergent into the dispenser?
- Is the wash cycle suitable for the dishes you have placed inside the appliance?
- Are the filter and microfilter clean?

- Can the sprayer arms turn freely?

### The dishwasher won't drain.

- Is the drain hose bent?
- **Limescale deposits or a white film form on the dishes.**
- Is the lid on the salt container closed properly?
- Is the rinse aid dosage correct?

### Error messages.

Your dishwasher is equipped with a safety system which is able to detect any operating problems. These anomalies are reported by one or two wash cycle indicator lights "M" will flash rapidly. Take a note of which lights are flashing, turn the appliance off and call for technical assistance.

### Tap off alarm

If you have forgotten to turn the water tap on, your appliance will remind you of this by sounding a

few short beeps for a few minutes. Turn the tap on and your appliance will start up again after a few minutes. If you were not home when these beeps are sounded, the appliance will be blocked automatically the 2nd and 3rd light from the right will flash rapidly. Turn the appliance off at the ON-OFF button, turn on the water tap and wait approximately 20 seconds before turning the appliance back on; the selected wash cycle will start up again.

### Clogged filter alarm

If the appliance is blocked and the 2nd and the 4th light from the right flash rapidly, this means the filter is clogged by large particles of food residue. Turn the appliance off, clean the filter thoroughly and reposition it in its seat as illustrated on page 10. Then turn it back on. The selected wash cycle will start up again.

### Water load solenoid valve malfunction alarm.

If the 3rd light from the right flashes rapidly, turn the dishwasher off and back on again after one minute. If the alarm persists, first turn off the water tap to avoid any flooding and then cut off the electricity supply and call for technical assistance.

### You have checked everything, but the dishwasher still doesn't work and the problem persists?

Call the Ariston Customer Care (1-888-426-0825) and remember to mention:

- the type of malfunction
- the model mark (Mod....) and the serial number (S/N....) indicated on the rating plate located on the inner door, to one side.

# Washing special items

If you have any doubts about washing particular items check with the manufacturer to see if they are dishwasher safe.

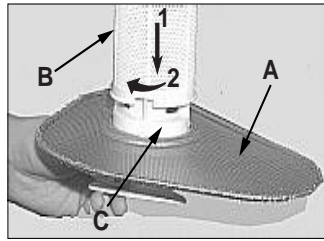
Material	Dishwasher safe	Comments
Aluminium	Yes, with caution	Anodized Aluminium may fade or darken by high water temperatures and detergents.
Bottles and Cans	No	Labels could loosen and clog the spray arms or pump and reduce washing performance.
Cast Iron	No	Seasoning will be removed and the iron will rust.
China / Stoneware	Yes, with caution	Always check manufacturer's recommendations before washing. Antiques and hand painted china with a pattern on top or with gold leaf decoration may fade.
Copper	Yes, with caution	Do not wash copper in the same load as silver or silver plate because the silver items could discolor.
Crystal	No	Certain types of lead crystal may etch if machine washed. Check with the manufacturer's recommendations.
	Yes	Wash with special program at low temperature. Make sure crystal dishware is loaded securely and will not fall over or knock against other dishwasher while being washed.
Disposable Plastics	No	Cannot withstand machine washing.
Glass	Yes	Exception: Milk glass may yellow.
Iron	No	Iron will rust.
Knives	No	Wood handles may warp, crack, or loosen. Plastic handles may discolor. Check manufacturer's washing instructions.
Non-dishware items	No	Use ONLY standard household dishware. Never wash items such as electronic air cleaners, air filters of any kind, paint brushes, etc.
Non-stick coatings	Yes	If marked dishwasher safe. After washing apply a light coating of vegetable oil to maintain non-stick quality.
Stainless Steel, Silver and Silver Plates	Yes, with caution	Exceptions: Old silverware and silverware decorated with an oxidising agent. Hot water can loosen the handles on old silverware and wear off the decorations on the other. Never let silverware come into contact with other metals: you will thus avoid stains and blackening. Silver plates and serving dishes should be washed immediately after use, specially if they have contained salt, eggs, olives, mustard, vinegar, fruit juices and cooked vegetables.
Pewter, Brass, Bronze	No	Pewter will tarnish.
Tin	No	Tin will rust.
Wood	No	Unless marked dishwasher safe by the manufacturer. Wood can warp, crack or lose shape with any kind of washing.

# Care and maintenance

## Cleaning and special maintenance

### Filter assembly

If you want consistent good results from your dishwasher, you need to clean the filter assembly. Food particles are removed from the wash water, when the water is recirculated during the cycle filtering the water 100%. For this reason, it is a good idea to remove the larger food particles trapped inside the cup "C" and the semi-circular filter A after each wash; pull the cup handle upwards to remove them. Just rinse them under running water. The entire filter assembly should be cleaned



thoroughly once a month: cup C + semi-circular filter A + cylindrical filter B. Rotate filter "B" counter clockwise to remove it. For cleaning, use a non metallic brush. Reassemble the filter parts (as shown in the figure) and reinsert the whole assembly into the

dishwasher. Position it into its housing and press downwards.



**Never use the dishwasher without the filter in place.**

Improper replacement of the filters may reduce the efficiency of the wash and even damage your dishwasher.

Once in a while, once a month, spend a little time on the filter assembly and the sprayer arms.

**Cleaning the sprayer arms.** Food residue may become encrusted onto the sprayer arms and block the holes where water comes out. Check the sprayer arms regularly and clean them once in a while (letters F and I "How is it made?").



## Keep your dishwasher in shape

Respecting these few rules ensures you will always have a reliable work companion by your side.

### After every wash.

When the wash cycle has ended, always remember to leave the appliance door ajar. This way, moisture and bad odours will not be trapped inside.

### Unplug the appliance.

Before carrying out any cleaning or maintenance on the dishwasher, always remove the plug from the electricity socket. Do not run risks.

### No solvents! No abrasives!

To clean the exterior and rubber parts of your appliance, do not use solvents or abrasive cleaning products. Use a cloth dampened with lukewarm soapy water only. If there are any stains on the surface of the appliance interior, use a cloth dampened with water and a little white vinegar, or a cleaning product specifically made for dishwashers.

### Going on holiday?

When you go away for an extended period of time, we recommend you do the following:

- run a cycle with the dishwasher empty
- turn off the water inlet tap.
- leave the appliance door ajar

This will help the seals last longer and prevent unpleasant odours from forming inside the appliance.

### Moving the appliance.

Should the appliance have to be moved, try to keep it in a vertical position. If absolutely necessary, it can be positioned on its back.

### The seals.

One of the factors that cause unpleasant odours to form inside the dishwasher is food that remains trapped in the seals. Periodic cleaning using a damp sponge will prevent this from occurring.



Do not worry about removing every single bit of food residue from your dishes, but do get rid of bones, peel and rind and any other left-overs before placing them in the racks. Empty out all glasses and cups.

# Un guide rapide pour tout savoir sur votre lave-vaisselle

Cette notice vous explique clairement tout ce que votre nouveau lave-vaisselle vous offre de mieux. Vous découvrirez, en plus, un tas de curiosités et de petites astuces pour mieux laver votre vaisselle et prolonger la durée de vie de votre machine.

## 1. Introduction (page 13)

Vous trouverez dans cette page des renseignements importants pour une utilisation performante de votre lave-vaisselle en toute sécurité.

## 2. Le tableau de bord vu de près (page 14)

Apprenez à bien connaître les pièces qui composent votre lave-vaisselle, vous vous en servirez mieux. Vous trouverez ci-après la description détaillée de ses commandes et de ses composants intérieurs.

## 3. Comment s'y prendre pour charger la vaisselle (page 15)

Cette page contient des renseignements utiles qui vous aideront à bien ranger votre vaisselle à l'intérieur du lave-vaisselle en profitant à plein de la moindre place.

## 4. Démarrage du lave-vaisselle (page 16)

Après avoir rangé votre vaisselle, choisissez le programme approprié et dosez correctement les produits de lavage et de rinçage. La lecture de ces pages vous aidera à bien maîtriser toutes les phases de lavage.

## 5. Produit de lavage et de rinçage (page 17)

Apprenez à doser correctement la quantité de produit de lavage et de rinçage pour obtenir des résultats de lavage impeccables.

## 6. Cycles de lavage (page 18)

Choisissez le bon programme pour votre vaisselle. Le choix d'un programme mieux approprié à la charge que vous avez effectuée vous garantit une vaisselle propre et une consommation optimale d'eau et de courant.

## 7. Le sel : un supplément utile (page 19)

L'utilisation de sel peut rendre votre lave-vaisselle plus performant. Pour en savoir plus sur ses potentialités.

## 8. Problèmes et solutions (page 19)

Avant de faire appel à un technicien, lisez ce qui suit : bon nombre de problèmes trouveront une solution immédiate. Si vous n'arrivez pas à les résoudre, appelez votre service après-vente Ariston et toute panne sera réparée, dans la mesure du possible, en un rien de temps.



## 9. Le lavage de vaisselle particulière (page 20)

Avant de laver quoi que ce soit au lave-vaisselle, consultez les conseils fournis dans ce paragraphe.

## 10. Soins et entretien particuliers (page 21)

De temps en temps, au moins une fois par mois, occupez-vous plus particulièrement du groupe filtrant et des bras de lavage. Voyez ici comment vous y prendre.

## 11. Gardez votre lave-vaisselle en forme (page 21)

Suivez les quelques règles qui suivent et votre lave-vaisselle sera toujours en pleine forme.

## 12. Caractéristiques techniques (page 14)

Toutes les données techniques de votre électroménager toujours conformes à la réglementation en vigueur.

## 13. Garantie (page 22)

Ariston suit ses produits en fournissant des services et une assistance même après l'achat sous forme de garanties spéciales, de service après-vente, de pièces détachées et d'accessoires de qualité. Pour davantage de renseignements, appelez le numéro de l'assistance Ariston.

# Introduction

**Félicitations pour votre nouveau lave-vaisselle. Consacrez quelques minutes à la lecture de cette notice. Vous y trouverez des conseils utiles pour utiliser au mieux votre précieux achat.**

- ⇒ Avant d'utiliser votre nouveau lave-vaisselle, lisez attentivement les conseils fournis par ce guide à l'emploi.
- ⇒ Lisez et respectez toutes les consignes de sécurité.
- ⇒ Annotation Ecrivez ci contre le numéro de série et le modèle de votre appareil. Vous trouverez ces numéros sur la face avant de l'appareil et à l'intérieur de la porte.
- N° modèle : .....
- N° de série : .....

## Normes de sécurité importantes

### Votre sécurité et celle de vos enfants



**ATTENTION** - Lors de l'utilisation de votre lave-vaisselle, conformez-vous aux instructions suivantes :

- Avant d'utiliser votre nouveau lave-vaisselle, lisez attentivement les instructions. Les deux notices qui accompagnent les lave-vaisselle Ariston : une notice d'installation et un mode d'emploi et d'entretien. Lisez-les attentivement et conservez-les pour pouvoir les consulter en cas de besoin.
- N'utilisez votre lave-vaisselle que pour un usage domestique et pour les fonctions prévues.
- N'utilisez que des produits de lavage ou des agents mouillants spéciaux lave-vaisselle et gardez-les loin de la portée des enfants.
- Lors du chargement de la vaisselle :
  - a) rangez les objets tranchants de manière à ce qu'ils ne risquent pas d'endommager le joint de la porte ;
  - b) rangez les couteaux tranchants manche tourné vers le haut pour réduire le plus possible le risque de coupures.
- Ne lavez pas d'objets en plastique à moins qu'ils aient l'indication "lavable au lave-vaisselle" ou toute autre indication similaire. Pour les objets plastique dépourvus d'étiquette, conformez-vous aux instructions du fabricant.
- Ne mettez pas votre lave-vaisselle en marche si les panneaux de fermeture ne sont pas tous montés.
- N'intervenez pas sur les commandes.
- Ne surchargez pas le panier de rangement de la vaisselle, ne vous asseyez pas et ne montez pas sur la porte de votre lave-vaisselle.
- Ne permettez pas aux enfants de jouer sur le lave-vaisselle ou à l'intérieur pour éviter qu'ils ne se fassent mal.
- Il peut arriver que, dans certains cas, du gaz hydrogène se forme à l'intérieur d'une installation domestique d'eau chaude inutilisée pendant deux ou plusieurs semaines. LE GAZ HYDROGENE EST EXPLOSIF. Si votre installation d'eau chaude reste inutilisée pendant une ou deux semaines, avant de réutiliser votre lave-vaisselle, ouvrez tous les robinets d'eau chaude et laissez couler l'eau pendant quelques minutes. Cette opération permettra d'éliminer toute accumulation d'hydrogène. Ce gaz étant inflammable, ne fumez pas et n'utilisez pas de flamme libre pendant cette opération.
- Lors de la mise au rebut de votre lave-vaisselle, n'oubliez pas de démonter la porte d'accès au compartiment de lavage.
- Le lave-vaisselle doit être raccordé à la terre. Pour tous autres renseignements, consultez la notice d'installation.
- Ne faites pas fonctionner votre lave-vaisselle quand il n'y a personne à la maison.
- Toutes les réparations doivent être effectuées par un professionnel du secteur.
- Ne touchez pas à la résistance pendant et à la fin d'un programme de lavage.

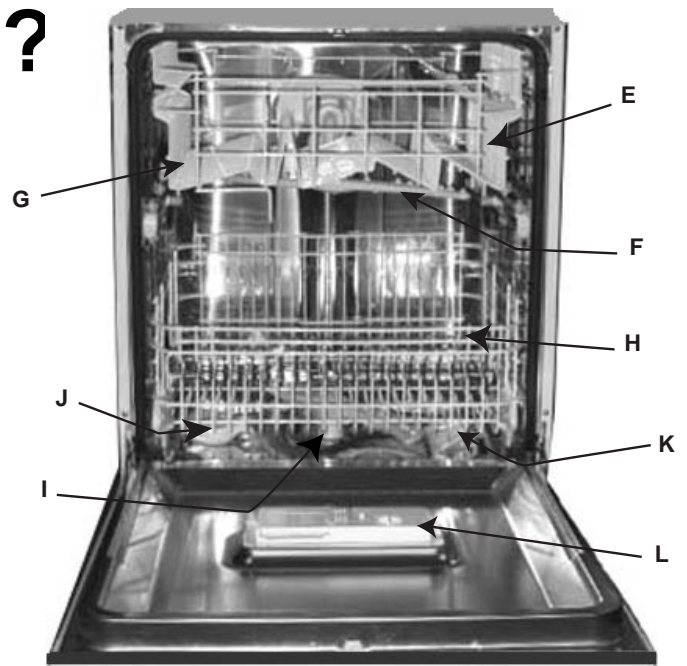
**Conservez soigneusement cette notice**

# Ouvrons ensemble votre lave-vaisselle

## Comment est-il fait ?

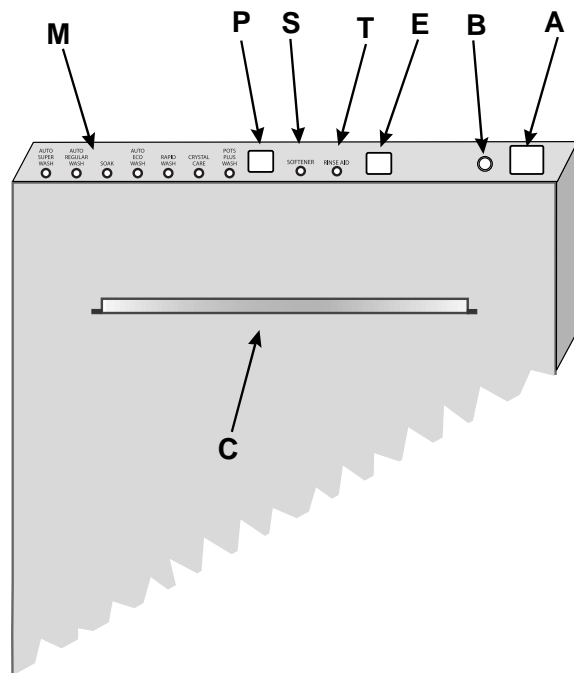
Apprenez à bien connaître les pièces qui composent votre lave-vaisselle, vous vous en servirez mieux.

- E. Panier supérieur
- F. Bras de lavage supérieur
- G. Réglage hauteur du panier
- H. Panier inférieur
- I. Bras de lavage inférieur
- J. Bouchon réservoir à sel
- K. filtre 4 pièces
- L. Distributeur produits de lavage et de rinçage



## Tableau de bord vu de près

- A. **Touche ON-OFF**  
Appuyez sur cette touche pour allumer votre machine.
- B. **Lampe-témoin ON-OFF**  
Elle vous signale que le lave-vaisselle est sous tension.
- C. **Poignée d'ouverture de la porte**  
uniquement modèles avec porte
- E. **Touche séchage super**  
Appuyez sur cette touche pour obtenir un meilleur séchage.
- P. **Touche sélection programmes**  
Chaque fois que vous appuyez sur cette touche, il y aura allumage l'un après l'autre des voyants programmes M.
- M. **Voyants programmes**  
Pour indiquer quel est le programme que vous avez sélectionné ou celui qui est en cours.
- S. **Voyant manque de sel**  
Il vous signale qu'il faut ajouter du sel.
- T. **Indicateur lumineux produit de rinçage**  
Il vous signale qu'il faut ajouter du produit de rinçage.



# Caractéristiques techniques

### Caractéristiques techniques

Largeur	23.62-24* pouces (60 cm.)
Profondeur	23.62 pouces (60 cm.)
Hauteur	32 <sup>1/4</sup> - 34 <sup>1/2</sup> (82-87,5 cm.)
Capacité	12 couverts standard
Pression eau alimentation	4,3 psi - 145 psi (30 KPa÷ 1MPa) (0,3 ÷10 bar)
Tension d'alimentation	Voir étiquette des caractéristiques
Puissance totale absorbée	Voir étiquette des caractéristiques
Fusible	Voir étiquette des caractéristiques

\* avec joints de remplissage préinstallés

Ce lave-vaisselle est conforme aux Normes en vigueur aux Etats-Unis et au Canada :

• UL 749

• ANSI/AHAM DW-1-1992

# Comment s'y prendre pour charger la vaisselle ?

Prenez l'habitude de faire quelques simples gestes avant de remplir votre lave-vaisselle, vous obtiendrez de meilleurs résultats de lavage et vous prolongerez la durée de vie de votre lave-vaisselle. **Éliminez les déchets les plus gros, mettez tremper vos casseroles et vos poêles particulièrement sales. Une fois que vous avez chargé votre vaisselle, contrôlez que les bras de lavage tournent bien. Ne superposez pas vos verres et vos tasses, veillez à ce que les assiettes ne se touchent pas.**

## Tout d'abord.

Avant de ranger la vaisselle dans les paniers, éliminez les déchets de nourriture, ainsi les filtres ne se boucheront pas et le lavage n'en sera que plus efficace. Si les casseroles et les poêles sont très sales, mettez-les tremper en attendant de les laver au lave-vaisselle. Pour charger votre vaisselle plus facilement, sortez les paniers.

## Que ranger dans le panier supérieur :

Nous vous conseillons de placer dans le panier inférieur la vaisselle plus difficile à laver : casseroles, couvercles, assiettes plates et creuses.

Les photos illustrent un exemple de chargement.

- **Plats et grands couvercles :** rangez-les sur les côtés du panier.
- **Casseroles, saladiers :** placez-les toujours sens dessus dessous.
- **Vaisselle très creuse :** rangez-la en position oblique, l'eau pourra ainsi s'écouler et mieux les laver.

Le panier à couverts se sépare en deux quand vous enlevez la poignée.

Quand vous avez peu de couverts à laver, n'utilisez que moitié panier, vous aurez plus de place pour le reste de votre vaisselle, vous pouvez d'ailleurs ranger l'autre moitié dans le panier supérieur (voir figures A et B).

Ce panier est équipé de deux grilles amovibles: rangez les couverts un par un dans les fentes prévues.

**⚠ Avertissement :** les pointes des couteaux et des ustensiles de cuisine tranchants doivent être tournés vers le bas. Rangez les couverts de manière à ce qu'ils ne se touchent pas entre eux.

## Que ranger dans le panier supérieur :

Chargez votre vaisselle fragile et légère dans le panier supérieur : verres, tasses à thé et à café, soucoupes – mais aussi assiettes – saladiers bas, poêles et casseroles basses peu sales (les photos vous montrent quelques exemples de chargement). Placez la vaisselle légère de manière à ce qu'elle ne risque pas d'être déplacée par les jets d'eau.

Une ou deux étagères rabattables peuvent être fournies pour ranger des tasses, grandes et petites, mais aussi des couteaux longs et pointus et des couverts de service.

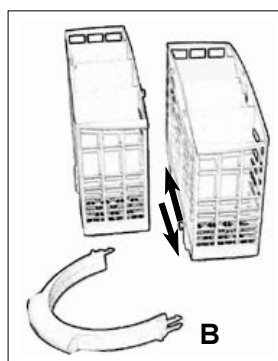
Après avoir chargé votre lave-vaisselle, n'oubliez pas de contrôler si les bras de lavage tournent bien, sans buter contre la vaisselle.

## Réglage du panier supérieur.

Le réglage en hauteur du panier supérieur vous permet de charger votre vaisselle plus facilement.



Deux poignées sur les côtés du panier supérieur vous permettent de régler sa hauteur (voir figure C).

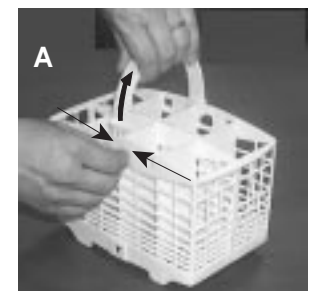
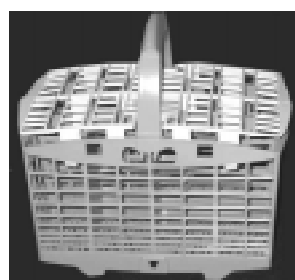


## Utilisez nos paniers

panier inférieur



panier supérieur



# Démarrage

## Allons-y !

**Vous avez chargé votre lave-vaisselle, il vous faut à présent choisir un programme de lavage. Basta un minuto per imparare**

Après avoir effectué toutes les opérations décrites dans les chapitres précédents et avoir ouvert le robinet de l'eau s'il est accessible, ouvrez la porte et appuyez sur la touche ON-OFF "A": le voyant "B" s'allume.

Votre lave-vaisselle est allumé et en attente d'être programmé.

### Choisissez un programme.

Appuyez sur la touche "P" pour sélectionner le programme voulu. Chaque fois que vous appuyez sur la touche, les voyants "M" correspondant aux programmes s'allument les uns après les autres, choisissez le programme approprié au type de vaisselle (jetez un coup d'œil page 18 vous y trouverez le tableau des programmes). Fermez la porte, au bout de quelques secondes vous entendrez un bref signal acoustique : le lavage a démarré.

### Modification du programme en cours.

Si vous vous êtes trompé de programme, aucun problème ! Vous pouvez modifier le programme en cours s'il vient juste de commencer. Ouvrez la porte prudemment pour éviter toute éclaboussure d'eau chaude, appuyez 5 secondes de suite sur la touche "P" jusqu'à ce que vous entendiez un bref signal acoustique. Le témoin "M" s'éteindra et toutes les sélections seront

annulées. Vous pouvez alors resélectionner le bon programme.

### Vous avez oublié d'introduire de la vaisselle ?

Cela peut arriver à tout le monde. Ouvrez la porte avec précaution pour interrompre le cycle de lavage et introduisez la vaisselle oubliée. Dès fermeture de la porte, le cycle redémarrera de l'endroit où vous l'avez interrompu.

### Fini ?

La fin du cycle de lavage est signalée par un double signal acoustique et par le clignotement du voyant programmes "M". Ouvrez la porte et appuyez sur la touche ON-OFF pour mettre l'appareil hors tension.

Fermez le robinet de l'eau s'il est accessible.

Attendez quelques minutes avant de sortir votre vaisselle : elle brûle ! Si vous attendez un peu, elle séchera mieux à la vapeur.

### Videz d'abord le panier inférieur.



En cas d'ouverture de la porte pendant ou dès la fin du programme, restez à bonne distance du lave-vaisselle car le nuage de vapeur chaude qui s'échappe pourrait vous brûler.



### Il y a une coupure de courant ? Vous avez ouvert la porte du lave-vaisselle ?

Le programme s'interrompt et repart dès que le courant revient ou que vous refermez la porte. Tout a été prévu !

### Vous désirez davantage de séchage ?

Appuyez sur la touche "E" avant de démarrer le programme sélectionné. Un bref signal acoustique vous signale que vous avez sélectionné le séchage super et le programme de lavage durera plus longtemps pour mieux sécher votre vaisselle.

Vous pouvez modifier le programme en cours, à condition qu'il vienne juste de commencer.

Contrôlez que le programme est bien achevé avant de sortir votre vaisselle !



# Produit de lavage et de rinçage

N'utilisez que du produit de lavage spécial lave-vaisselle. Versez le produit de lavage dans le distributeur situé à l'intérieur de la porte. Avant le démarrage du cycle de lavage !

## Le produit de lavage Chargement du produit de lavage

Pour ouvrir le couvercle A, appuyez sur la touche B. Remplissez de produit de lavage les deux bacs C et D jusqu'au bord.

Refermez le couvercle à présent : appuyez jusqu'au dé clic.

Si vous préférez utiliser un produit de lavage en pastilles, mettez-en une dans le bac "D". Refermez le couvercle à présent : appuyez jusqu'au dé clic.

## Il ne ferme pas !

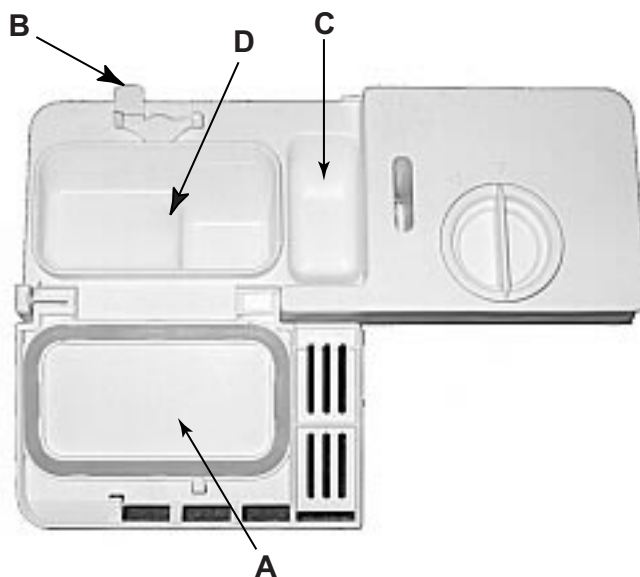
Contrôlez qu'il n'y a pas de résidus de produit de lavage sur les bords du bac. C'est à cause d'eux que le couvercle n'arrive pas à fermer. Eliminez-les et vous verrez, il fermera bien.

## Produit de rinçage

Le produit de rinçage rend les couverts plus brillants et améliore leur séchage. Le réservoir à produit de rinçage se trouve à l'intérieur de la porte; il faut le remplir quand vous voyez clignoter le voyant "T" situé sur le tableau de bord.

## Chargement du produit de rinçage.

Pour ouvrir le réservoir, tournez le bouchon "C" vers la gauche. Quand vous versez le produit de rinçage, attention à ne pas le faire déborder. Pour régler la quantité de produit de rinçage utilisé par le lave-vaisselle : agissez avec un tournevis sur le régleur F que vous voyez sous le couvercle C.



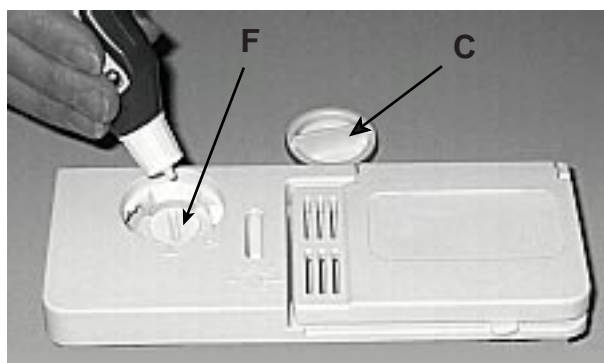
## ATTENTION !

Le produit de lavage est corrosif !

Veillez à ranger les produits de lavage loin de la portée des enfants

• Une utilisation excessive de produit de lavage ne garantit pas un lavage meilleur ou de la vaisselle plus propre. Utilisez une quantité adaptée à la charge de lavage.

• Rangez les produits de lavage et de rinçage dans un endroit frais et sec.



Vous pouvez choisir parmi six positions. Normalement il est réglé sur 4.

Le réglage de la quantité de produit de rinçage utilisé améliore le séchage. Si vous remarquez des gouttes d'eau ou des traces sur votre vaisselle, tournez le dispositif de réglage vers les chiffres plus élevés.

Tandis que si vous remarquez des traces blanches, tournez le régleur vers les chiffres plus bas.

Choisissez le bon programme

# A chaque besoin son programme

Le lavage en lave-vaisselle garantit un environnement désinfecté et davantage de propreté.

Sel, produit de rinçage, une juste dose de produit de lavage et le programme qu'il faut : voilà la formule idéale pour obtenir de meilleurs résultats et bien entretenir votre lave-vaisselle.

Pour optimiser vos consommations, faites fonctionner votre lave-vaisselle à sa charge maximale. S'il vous faut un peu de temps pour le remplir, utilisez le cycle trempage, vous éviterez la formation de mauvaises odeurs et d'incrustations.

Programmes "AUTO"  
Dans ce cas votre lave-vaisselle est équipé d'un capteur qui juge du degré de salissure de la vaisselle et permet à ces programmes de s'optimiser automatiquement pour vous fournir un lavage plus efficace et économique.

Programme	Indications sur le choix des programmes	Description du cycle	Produit de lavage pré-lavage + lavage	Produit de rinçage	Durée du programme (tolérance $\pm 10\%$ sans séchage super)
<b>Auto Lavage Intensif</b>	Vaisselle et casseroles très sales (déconseillé pour la vaisselle fragile)	Pré-lavage à l'eau chaude 95°F Lavage à 140°F 2 rinçages à l'eau froide Rinçage chaud à 149°F Séchage	0.35 + 1.6oz. (10+45 g)	*	125'
<b>Auto Lavage Normal</b>	Cycle pour vaisselle et casseroles normalement sales. Programme standard quotidien.	Lavage à 122°F Rinçage froid Rinçage chaud à 153°F Séchage	1.7oz. (50 g)	*	100'
<b>Trempage</b>	Cycle de rinçage en attente du chargement de la vaisselle du repas suivant.	Lavage bref froid pour éviter que les déchets ne sèchent sur la vaisselle			12'
<b>Auto Lavage Eco</b>	Lavage écologique à faible consommation d'électricité pour vaisselle et casseroles normalement sales.	2 pré-lavages froids Lavage prolongé à 113°F Rinçage chaud à 149°F Séchage	0.35 + 1.6oz. (10+45 g)	*	160'
<b>Lavage Rapide</b>	Cycle économique et rapide conseillé en cas de vaisselle peu sale. Cycle à effectuer aussitôt. Séchage exclu	Lavage bref à 113°F Rinçage chaud à 122°F	1.6 oz. (45 g)		30'
<b>Traitement verres et cristal</b>	Cycle spécial à utiliser pour de la vaisselle fragile, plus sensible aux températures élevées. Cycle à effectuer aussitôt.	Lavage à 122°F Rinçage tiède à 104°F Rinçage chaud à 149°F Séchage	1.6 oz. (45 g)	*	120'
<b>Lavage super casseroles</b>	Ce cycle garantit un lavage particulièrement intensif idéal pour poêles et casseroles. Déconseillé pour la vaisselle fragile.	Pré-lavage froid Lavage à 122°F Rinçage tiède à 104°F Rinçage chaud à 149°F Séchage	0.18 + 1.6oz. (5+45 g)	*	130'

# Jamais sans sel

## Votre eau

La dureté de l'eau varie d'un endroit à l'autre. Si votre eau est trop dure, vous pouvez rajouter du sel pour l'adoucir. Plus l'eau est douce, plus vous aurez de meilleurs résultats de lavage et de séchage.

### Chargement du sel.

Vous pouvez utiliser du sel spécial lave-vaisselle ou du sel gemme courant.

Le réservoir à sel est situé sous le panier inférieur, remplissez-le comme suit :

1. Sortez le panier inférieur, dévissez et enlevez le bouchon du réservoir
2. Vous chargez le sel pour la première fois ? Remplissez d'abord le réservoir d'eau (vous n'aurez plus à le faire par la suite)
3. Servez-vous de l'entonnoir du lave-vaisselle pour introduire environ deux kilos de sel. Il est normal que de l'eau déborde du réservoir.



4. Revissez soigneusement le bouchon.

### Quand faut-il charger le sel ?

Il faut remplir le réservoir à sel quand le voyant sel "S" clignote. Votre machine vous le rappelle pendant cinq cycles de suite.

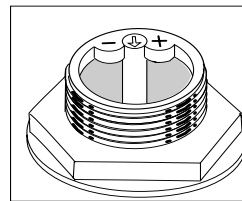
### Sel intelligent.

Votre lave-vaisselle peut régler sa consommation de sel selon la dureté de votre eau. Vous pourrez ainsi optimiser et personnaliser votre consommation de sel (ni trop ni trop peu).

Pour régler la consommation de sel, procédez comme suit :

1. Dévissez le bouchon du réservoir à sel
2. Vous verrez sur la collette du réservoir une flèche (figure) : si nécessaire, tournez-la vers la gauche en allant du signe "-" au signe "+".

Dureté de l'eau			Position du sélecteur	Consommation de sel (Kg/cycle)	Autonomie (cycles/70oz.)
Degrés Clarke	°fH	mmol/l			
0 - 14	0 - 17	0 - 1,7	/	0	/
14 - 36	18 - 44	1,8 - 4,4	"."	0.7	60
36 - 71	45 - 89	4,5 - 8,9	MED	1.4	40
>71	> 89	> 8,9	"+"	2.1	25



Choisissez la position de la flèche après avoir consulté le schéma sur la dureté de l'eau.

Si vous ne savez pas quel est le degré de dureté de votre eau, vous pouvez le demander à votre fournisseur local.

**NOTE : si vous ne trouvez pas de sel spécial lave-vaisselle, vous pouvez utiliser du sel gemme courant.**

## Problèmes et solutions

# Si vous avez un problème, lisez ce qui suit

Il peut arriver que le lave-vaisselle fonctionne mal ou pas du tout. Il s'agit très souvent de problèmes que vous pouvez résoudre vous-même. Avant de téléphoner au service après-vente, lisez les points qui suivent.

### Le lave-vaisselle ne démarre pas

- Le robinet de l'eau est-il bien ouvert ?
- Le robinet de l'eau est-il bien raccordé au tuyau ?
- Y a-t-il une coupure d'eau à la maison ?
- L'eau a-t-elle suffisamment de pression ?
- Le tuyau est-il plié ?
- Le filtre du tuyau d'arrivée de l'eau est-il bouché ?
- La porte du lave-vaisselle est-elle ouverte ?

### La vaisselle n'est pas propre.

- Avez-vous utilisé une dose de produit de lavage adéquate ?
- Le programme de lavage sélectionné est-il approprié à la vaisselle que vous avez chargée ?
- Le filtre et le micro-filtre sont-ils propres ?
- Les bras de lavage sont-ils libres ?

### Le lave-vaisselle ne vide pas

- Le tuyau d'évacuation est-il plié ?

### Des dépôts de calcaire ou une couche blanche se déposent dans votre lave-vaisselle.

- Le bouchon du réservoir à sel est-il bien fermé ?
- Le dosage du produit de rinçage est-il bien réglé ?

### Messages d'erreur

Votre lave-vaisselle monte un dispositif de sécurité à même de signaler des anomalies de fonctionnement. Ces anomalies sont signalées par le clignotement accéléré d'un ou deux voyants "M" du programme de lavage.

Après avoir pris note des voyants qui clignotent, éteignez votre appareil et appelez l'assistance technique.

### Alarme robinet fermé

Si vous avez oublié d'ouvrir le robinet de l'eau, votre machine vous le signale pendant quelques minutes en émettant de brefs signaux acoustiques. Ouvrez le robinet et, au bout de

quelques minutes, votre machine redémarrera. Si vous n'êtes pas là quand les signaux acoustiques retentissent, votre machine se bloque automatiquement et le 2ème et 3ème voyant en partant de la droite clignotent très rapidement. Eteignez l'appareil à l'aide de la touche On-Off, ouvrez le robinet de l'eau et au bout de 20 secondes environ, rallumez-le, le programme sélectionné démarrera normalement.

### Alarme filtres bouchés

Si la machine est bloquée et le 2ème et 4ème voyant en partant de la droite clignotent très rapidement, c'est que le filtre est bouché par de gros résidus d'aliments.

Eteignez le lave-vaisselle, nettoyez soigneusement le filtre et remontez-le à sa place comme illustré page 21. Le programme sélectionné démarrera normalement.

### Alarme pour panne de l'électrovanne d'entrée de l'eau.

Si la 3ème led en partant de droite clignote rapidement, éteignez le lave-vaisselle et rallumez-le au bout d'une minute. Si l'alarme persiste, fermez avant tout le robinet de l'eau pour éviter tout risque d'inondation puis coupez le courant et appelez le service de dépannage.

### Vous avez tout vérifié mais votre lave-vaisselle ne fonctionne toujours pas ?

Appelez le service assistance technique Ariston (1-888-426-0825) et n'oubliez pas de lui signaler :

- le type de panne
- le sigle du modèle (Mod....) et le numéro de série (S/N ....) que vous trouverez sur l'étiquette signalétique appliquée sur le côté de la contre-porte

# Le lavage de vaisselle spéciale

Si vous avez des doutes à propos du lavage de vaisselle spéciale, renseignez-vous auprès du fabricant pour savoir si le lavage au lave-vaisselle est possible.

Matériau	Lavable au lave-vaisselle	Commentaires
<b>Aluminium</b>	Oui, avec précaution	Les hautes températures de l'eau et la présence de produits de lavage pourraient ternir ou foncer l'aluminium anodisé.
<b>Bouteilles et cannettes</b>	Non	Les étiquettes pourraient se décoller et boucher les gicleurs ou la pompe et compromettre les performances de lavage.
<b>Fonte</b>	Non	La trempe se détache et le fer rouille.
<b>Porcelaine / grès céramique</b>	Oui, avec précaution	Se conformer aux instructions du fabricant avant tout lavage. Les objets anciens et la porcelaine peinte à la main avec motif en relief ou avec des décorations dorées à la feuille pourraient ternir.
<b>Cuivre</b>	Oui, avec précaution	Ne pas faire un chargement conjoint d'objets en cuivre, en argent ou plaqués argent car l'argent pourrait se décolorer.
<b>Cristal</b>	Non Oui	Certains types de cristal au plomb pourraient s'ébrécher lors du lavage au lave-vaisselle. Se conformer aux instructions du fabricant. Laver à faible température avec un programme spécial. S'assurer que la vaisselle en cristal soit chargée avec soin pour éviter qu'elle ne bouge et aille heurter contre d'autres objets pendant le lavage.
<b>Objets en plastique jetables</b>	Non	Pas de lavage au lave-vaisselle.
<b>Verre</b>	Oui	Exception : Le verre opalin pourrait jaunir.
<b>Fer</b>	Non	Le fer rouille.
<b>Couteaux</b>	Non	Les manches en bois pourraient s'abîmer, se fendre ou se desserrer. Les manches plastique pourraient se décolorer. Se conformer aux instructions du fabricant.
<b>Objets autres que la vaisselle</b>	Non	N'utiliser QUE de la vaisselle standard à usage domestique. Ne jamais laver d'objets tels qu'épurateurs d'air électriques, filtres à air de quelque type qu'ils soient, pinceaux à peinture, etc.
<b>Revêtements non adhésifs</b>	Oui	S'ils sont marqués lavables au lave-vaisselle. Après le lavage, appliquer une légère couche d'huile végétale pour préserver les caractéristiques non adhésives.
<b>Acier, argent et plats en argent</b>	Oui, avec précaution	Exceptions : l'argenterie ancienne et celle qui est décorée avec un agent oxydant. L'eau chaude peut desserrer les manches de l'argenterie ancienne et faire disparaître les motifs ornementaux de l'autre. Ne placez jamais l'argenterie au contact d'autres métaux : vous éviterez taches et noircissement. Les plats et plateaux en argent doivent être lavés immédiatement après l'usage, surtout s'ils contenaient du sel, des oeufs, des olives, de la moutarde, du vinaigre, des jus de fruit et des légumes cuits.
<b>Alliage d'étain, laiton, bronze</b>	Non	L'alliage d'étain s'oxyde.
<b>Étain</b>	Non	L'étain rouille.
<b>Bois</b>	Non	A moins que le fabricant indique qu'il est lavable au lave-vaisselle. Le bois peut s'abîmer, se fendre ou se déformer quel que soit le type de lavage utilisé.

# Soin et entretien

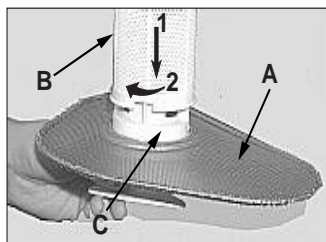
## Nettoyage et entretien particuliers

### Le groupe filtrant

Pour toujours avoir d'excellents résultats de lavage, nettoyez le groupe filtrant.

Les résidus de nourriture sont éliminés par l'eau de lavage quand cette dernière est remise en circulation pendant le cycle de filtrage de l'eau à 100%. Voilà pourquoi, il vaut mieux enlever, après chaque lavage, les déchets les plus gros arrêtés par le filtre semi-circulaire A et par le gobelet "C"; pour les sortir tirez la poignée vers le haut. Rincez-les à l'eau courante.

Nettoyez soigneusement, une fois par mois, tout le



groupe filtrant : gobelet C + filtre semi-circulaire A + filtre cylindrique B. Pour sortir le filtre "B", tournez-le vers la gauche.

Pour le nettoyer, servez-vous d'une petite brosse non métallique.

Assemblez les pièces (comme illustré) et remontez le groupe dans le lave-vaisselle. Faites-le entrer dans son logement

en poussant vers le bas.



**N'utilisez jamais votre lave-vaisselle sans filtres.**

Une mauvaise remise en place des filtres risque de compromettre l'efficacité du lavage ou d'endommager le lave-vaisselle.

### Nettoyage des bras de lavage.

Il peut arriver que des déchets restent collés aux bras de lavage et bouchent les trous de sortie de l'eau. **C o n t r ô l e z - l e s** régulièrement et nettoyez-les de temps en temps (lettres F et I chapitre "Comment est-il fait ?").



**De temps en temps, au moins une fois par mois, occupez-vous plus particulièrement du groupe filtrant et des bras de lavage.**

## Gardez votre lave-vaisselle en pleine forme

Il vous suffit de suivre quelques règles et vous aurez toujours à votre service un ami fiable.

### Après chaque lavage.

N'oubliez pas de laisser la porte entrouverte après chaque cycle de lavage. Vous éviterez que l'humidité stagne à l'intérieur et la formation de mauvaises odeurs.

### Débranchez la fiche.

Avant d'effectuer toute opération de nettoyage ou d'entretien de la machine, débranchez la fiche électrique. Vous éviterez tout danger.

### Pas de solvants ! Pas de produits abrasifs !

Pour nettoyer l'extérieur et les parties en caoutchouc de votre lave-vaisselle, n'utilisez ni solvants ni produits abrasifs, un chiffon mouillé d'eau tiède et un peu de savon suffisent.

Si vous remarquez des taches à la surface interne de la cuve, enlevez-les à l'aide d'un chiffon mouillé d'eau et d'un peu de vinaigre blanc ou bien utilisez un produit de nettoyage spécial lave-vaisselle.

### Vous partez en vacances ?

Quand vous vous absentez pour longtemps, nous vous conseillons d'effectuer les opérations suivantes :

- effectuez un lavage à vide
- fermez le robinet d'arrivée de l'eau.
- laissez la porte entrouverte

Vos joints dureront plus longtemps et il n'y aura pas formation de mauvaises odeurs à l'intérieur du lave-vaisselle.

### Déménagement.

En cas de déménagement, mieux vaut laisser l'appareil à la verticale. En cas de besoin, vous pouvez l'incliner sur le dos.

### Les joints.

La formation de mauvaises odeurs à l'intérieur du lave-vaisselle est principalement due aux déchets d'aliments qui restent coincés dans les joints. Il vous suffira de les nettoyer de temps en temps avec une éponge humide.



**Ne vous mettez pas martel en tête, pas besoin de débarrasser votre vaisselle de tous les menus déchets, mais débarrassez-la des os, pelures et autres restes avant de la ranger dans les paniers. Videz les verres et les coupes.**

# Guía rápida para el lavavajillas

Este manual explica de forma simple las posibilidades que ofrece su nuevo lavavajillas. Además, descubrirá curiosidades y pequeños detalles para lavar mejor con su lavavajillas y para prolongar su vida útil.

## 1. Introducción (p.24)

En esta página encontrará información sobre importantes normas de seguridad para el mejor uso del lavavajillas

## 2. El cuadro de mando visto de cerca (p.25)

Aprender a conocer las partes que componen el lavavajillas ayudará a mejor uso. Aquí presentamos la descripción detallada de los mandos y de las partes internas.

## 3. Cómo se carga la vajilla (p.26)

En esta página encontrará consejos útiles para cargar correctamente el lavavajillas y aprovechar al máximo su espacio.

## 4. Cómo encender el lavavajillas (p.27)

Después de cargar el lavavajillas, seleccionar el programa adecuado y dosificar correctamente el detergente y el abrillantador. Leer estas páginas le ayudará a conocer todas las fases del lavado.

## 5. Detergente y abrillantador (p.28)

Aprender la dosificación correcta de detergente y de abrillantador para conseguir los mejores resultados en el lavado.

## 6. Ciclos de lavado (p.29)

Elegir el programa adecuado para su vajilla. La elección del programa más adecuado para la carga que ha efectuado le asegura obtener una vajilla limpia y un uso eficiente del agua y de la energía eléctrica.

## 7. La sal: un extra útil (p.30)

El uso de sal puede mejorar las prestaciones del lavavajillas. Descubra más sobre sus potencialidades.

## 8. Problemas y soluciones (p.30)

Antes de llamar al técnico, leer lo siguiente: muchos problemas pueden tener una solución inmediata. Si aún así no logra resolver el problema, llame al número de la asistencia Ariston y en poco tiempo, si es posible, se reparará cualquier avería.



## 9. El lavado de piezas especiales (p.31)

Antes de lavar cualquier cosa en el lavavajillas, consultar la información de esta sección.

## 10. Mantenimiento y cuidados especiales (p. 32)

Aproximadamente una vez por mes, dedicar un poco de atención al grupo filtrante y a los brazos rociadores. Aquí se aprende cómo hacer.

## 11. Mantener en buenas condiciones el lavavajillas (p. 32)

Respetar las pocas reglas que se encuentran en esta sección para mantener el lavavajillas siempre en óptimas condiciones.

## 12. Características técnicas (p. 25)

Todos los datos técnicos de su electrodoméstico, siempre de acuerdo con la ley.

## 13. Garantía (p.33)

Ariston sostiene sus productos con servicios y asistencia incluso después de la compra, ofreciendo garantías especiales, asistencia profesional, repuestos y accesorios de calidad. Para mayor información llamar al número de asistencia Ariston.

# Introducción

**Felicitaciones por vuestro nuevo lavavajillas. Dedique algunos minutos a la lectura de este manual. En el mismo se incluyen consejos útiles para el mejor uso de su valiosa compra.**

- ⇒ Antes de emplear el nuevo lavavajillas, leer con atención la información suministrada en esta guía.
- ⇒ Leer y respetar toda la información sobre la seguridad.
- ⇒ Para anotar: escribir el número de serie y el modelo en los espacios correspondientes. Estos números se encuentran en la parte anterior de la máquina y en la parte interna de la puerta.
- N° modelo: .....
- N° de serie: .....

## Importantes normas de seguridad

### Su seguridad y la de sus niños



**ATENCIÓN** - Durante el uso del lavavajillas respetar escrupulosamente las siguientes instrucciones:

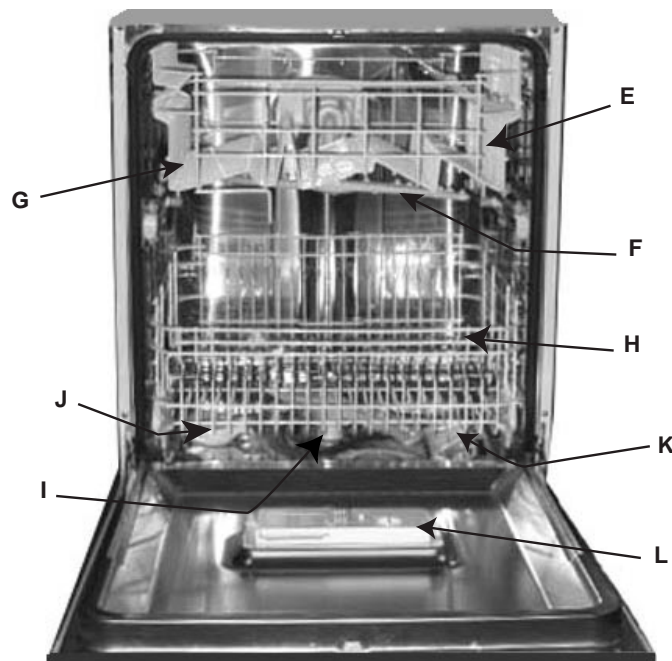
- ➔ Antes de utilizar el nuevo lavavajillas, leer con atención todas las instrucciones. El lavavajillas Ariston incluye dos manuales: un manual de instrucciones para la instalación y otro para el Uso y Mantenimiento. Leerlos atentamente y guardarlos para futuras consultas.
- ➔ Utilizar el lavavajillas sólo para uso doméstico y para las aplicaciones previstas.
- ➔ Emplear sólo detergentes o agentes para remojar aconsejados para el uso en lavavajillas y mantenerlos alejados del alcance de los niños.
- ➔ Cuando se carga la vajilla a lavar:
  - a) posicionar los objetos afilados de modo tal que no dañen la guarnición de la puerta; e
  - b) introducir los cuchillos afilados con el mango hacia arriba, reduciendo la posibilidad de causar heridas por corte.
- ➔ No lavar objetos de plástico, a menos que posean la indicación „lavable en lavavajillas“ o leyendas equivalentes. En caso de objetos de plástico sin indicaciones, consultar las indicaciones suministradas por el fabricante.
- ➔ No accionar el lavavajillas si todos los paneles de cierre no están debidamente colocados.
- ➔ No forzar los mandos.
- ➔ No sobrecargar, no sentarse ni subirse sobre la puerta o el cesto para platos del lavavajillas.
- ➔ No permitir que los niños jueguen arriba o dentro del lavavajillas, evitando que se hagan daño.
- ➔ En algunos casos, en una instalación doméstica de agua caliente que no se utiliza por dos o más semanas puede formarse gas hidrógeno. **EL GAS HIDROGENO ES EXPLOSIVO.** Por lo tanto, si la instalación doméstica de agua caliente no se utiliza por una o dos semanas, antes de volver a utilizar el lavavajillas, abrir todos los grifos de agua caliente y dejarla correr algunos minutos. Esta operación permitirá eliminar cualquier acumulación de hidrógeno. Debido a que este gas es inflamable, no fumar ni utilizar llamas libres mientras se realiza esta operación.
- ➔ Al quitar o desguazar un viejo lavavajillas, sacar la puerta de entrada del compartimiento de lavado.
- ➔ Los lavavajillas deben conectarse a tierra. Para mayor información, leer las instrucciones de instalación.
- ➔ No poner en funcionamiento el lavavajillas cuando no se está en casa.
- ➔ Todos los trabajos de reparación deben ser realizados por un técnico cualificado.
- ➔ No tocar la resistencia ni durante ni al final de un programa de lavado.

**Conservar este manual en buen estado**

# Abramos juntos el lavavajillas ¿Cómo está compuesto?

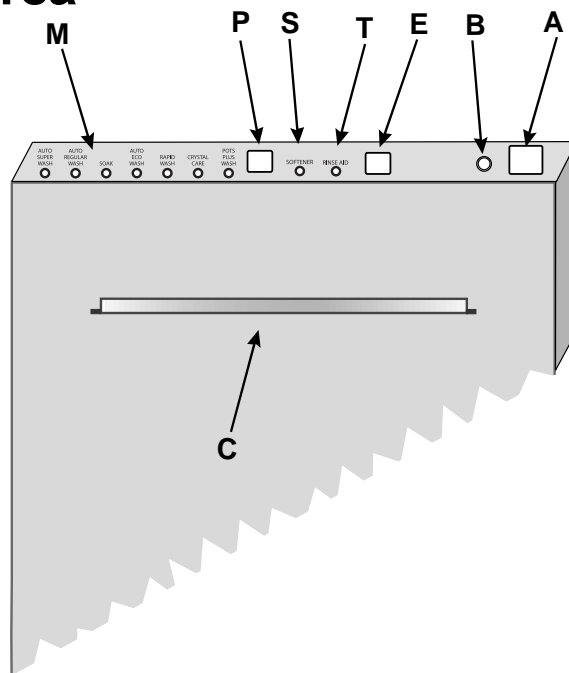
Aprender a conocer las partes que componen el lavavajillas ayudará a usarlo mejor

- |                                      |   |
|--------------------------------------|---|
| E. Cesto superior                    | I. Rociador inferior                          |
| F. Rociador superior                 | J. Tapa del recipiente de sal                 |
| G. Regulación de la altura del cesto | K. filtro 4 piezas                            |
| H. Cesto inferior                    | L. Recipiente para detergente y abrillantador |



## Cuadro de mando visto de cerca

- |   |  |
|---|--|
| A. Botón ON-OFF<br>Pulsar este botón para encender la máquina.  | M. Lámparas indicadoras de programas<br>Indica cual es el programa seleccionado o en curso.            |
| B. Lámpara testigo ON-OFF<br>Avisa que el lavavajillas está encendido.  | S. Lámpara indicadora de falta de sal<br>Advierte que es el momento de añadir más sal.                 |
| C. Manija de apertura de la puerta<br>modelos sólo con puerta   | T. Luz indicadora de falta de abrillantador<br>Advierte que es el momento de añadir más abrillantador. |
| E. Botón secado extra<br>Presionar para obtener un mayor secado   |  |
| P. Botón de selección de programas<br>Cada vez que se presione el botón se encenderá una de las luces indicadoras de programas M. |  |




## Características técnicas

Technical characteristics	
Ancho	23.62 -24* pulgadas (60 cm)
Profundidad	23.62 pulgadas (60 cm.)
Altura	32 <sup>1/4</sup> -34 <sup>1/2</sup> pulgadas (82-87,5 cm.)
Capacidad	12 cubiertos estándar
Presión agua de alimentación	4,3 psi-145 psi 30 KPa±1MPa (0,3 ±10 bar)
Tensión de alimentación	Ver la placa de características
Potencia total absorbida	Ver la placa de características
Fusible	Ver la placa de características

\* con las guarniciones de llenado preinstaladas

Este lavavajillas está en conformidad con las siguientes normas vigentes en USA y Canadá.

• UL 749 

• ANSI/AHAM DW-1-1992



# ¿Cómo se carga la vajilla?

Antes de lavar, estos pequeños detalles pueden ayudar a lavar mejor y a prolongar la vida útil del lavavajillas. Quitar los residuos más grandes de comida, poner en remojo las ollas y las sartenes con residuos muy pegados. Después de haber cargado la vajilla, controlar que giren bien las palas del rociador. No superponer vasos y tazas, controlar que los platos no se toquen.

## Antes que nada.

Antes de disponer la vajilla en los cestos, eliminar los residuos más grandes de comida, de este modo, se evitará que los filtros se tapen reduciendo la eficacia del lavado. Si las ollas y las sartenes tienen residuos muy pegados, colocarlas en remojo a la espera del lavado. Para facilitar la operación de carga de la vajilla, extraer los cestos.

## Qué se coloca en el cesto inferior:

En el cesto inferior aconsejamos colocar la vajilla más difícil de lavar: ollas, tapas, platos hondos y platos (en las fotos encontrará un ejemplo de carga).

- **Fuentes y tapas grandes:** colocarlas a los costados del cesto.
- **Ollas, ensaladeras:** deben estar siempre dadas vuelta.
- **Vajilla muy honda:** colocarlas en posición oblicua así el agua podrá fluir para lavarlas mejor.

El cesto para los cubiertos se puede desdoblar extrayendo la manija.

Cuando se tienen pocos cubiertos para lavar, se puede utilizar sólo la mitad del cesto, ahorrando espacio para otra vajilla y además es posible colocar la otra mitad en el cesto superior (ver las figuras A y B).

Este cesto posee dos rejillas extraíbles: introducir los cubiertos en una de las ranuras.

## Advertencia:

Los cuchillos y los utensilios con puntas cortantes se deben colocar con las puntas hacia abajo. Colocarlos de modo que no se toquen entre sí.

## Qué se coloca en el cesto superior:

En el cesto superior cargar la vajilla delicada y liviana, es decir: vasos, tazas de té y café, platitos –también platos –ensaladeras bajas, sartenes, ollas y cazuelas bajas que no estén muy sucias (en la foto encontrará ejemplos de carga).

Colocar la vajilla liviana de modo tal que no sea desplazada por los chorros de agua.

Se pueden suministrar con el aparato uno o dos cestos volcables en los cuales se pueden colocar tazas y tacitas, así como también cuchillos largos y puntiagudos y cubiertos para servir.

Después de haber cargado el lavavajillas, recuerde controlar que las palas del rociador giren libremente, sin chocar con la vajilla.

## Cómo regular el cesto superior.

El cesto superior se puede regular en posición alta o baja para poder colocar la vajilla sin dificultad.

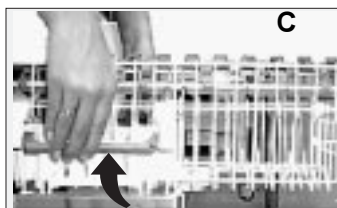


## Utilizar nuestros cestos

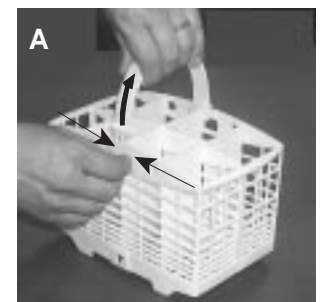
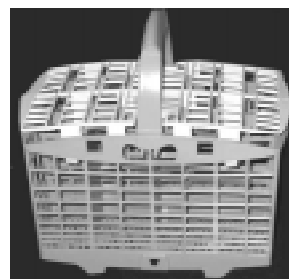
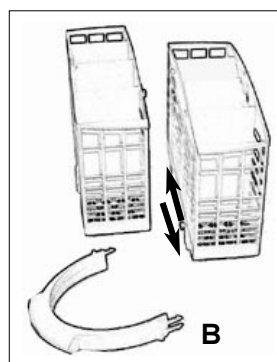
cesto inferior



cesto superior



A los costados del cesto superior se encuentran dos manijas: con ellas es posible regular la altura (ver la figura C).



# Encendido

## ¿Listos?, ¡ya!

Una vez cargado el lavavajillas se debe seleccionar el programa de lavado. Basta un minuto per imparare

Después de haber efectuado todas las operaciones descritas en los capítulos precedentes abrir el grifo de agua si puede acceder, abrir la puerta y pulsar el botón ON-OFF "A": la luz testigo "B" se iluminará.

El lavavajillas está encendido y listo para ser programado.

### Elegir el programa.

Seleccionar el programa de lavado pulsando el botón "P".

Cada vez que se presiona el botón se encenderán, sucesivamente, las lámparas testigo "M", elegir el programa más indicado para el tipo de vajilla que se debe lavar (ver la Pág.29 donde se encuentra la tabla de programas).

Cerrar la puerta y después de algunos segundos se escuchará una breve señal acústica: el lavado ha comenzado.

### Modificación del programa en curso.

¡Ante una equivocación no hay que tener miedo! Se puede modificar el programa en curso si recién ha comenzado. Abrir con cautela la puerta para evitar eventuales salpicaduras de agua caliente, luego mantener presionado el botón "P" durante 5 segundos aproximadamente hasta que se escuche una breve señal acústica. Se apagará la luz testigo "M" y, a partir de ese momento, se anulan

todas las selecciones. Ahora es posible volver a seleccionar el programa justo.

### ¿Ha quedado vajilla afuera?

Bueno, a cualquiera le pasa. Interrumpir el ciclo de lavado abriendo la puerta con la cautela habitual, luego, introducir la vajilla olvidada.

Al cerrar la puerta, el ciclo recomenzará desde el punto en el cual ha sido interrumpido.

### ¿Terminó?

El final del ciclo de lavado ese indica mediante una doble señal acústica y el centelleo de la luz testigo "M".

Abrir la puerta y pulsar el botón ON-OFF, interrumpiendo la alimentación eléctrica de la máquina.

Cerrar el grifo de agua si puede acceder.

Esperar algunos minutos antes de extraer la vajilla: ¡quema! Esperar un poquito, con el vapor se seca mejor.

### Vaciar primero el cesto inferior.



Si se abre la puerta durante o apenas ha terminado el programa, mantenerse a cierta distancia del lavavajillas para prevenir posibles quemaduras debidas al vapor caliente.



### ¿Se cortó la luz? ¿Abrió la puerta de la máquina?

El programa se interrumpe y luego se reanuda cuando vuelve la luz o cuando se cierra la puerta. ¡Está todo bajo control!

### ¿Se desea obtener un mejor secado?

Presionar el botón "E" antes de que comience el programa seleccionado. Una breve señal sonora avisará que se ha seleccionado el secado extra y el programa de lavado durará más tiempo para obtener una vajilla más seca.

Se puede anular un programa en curso sólo si el mismo ha apenas comenzado.

¡Antes de extraer la vajilla, comprobar que el programa ha terminado!

# Detergente y abrillantador

Usar solamente detergente específico para lavavajillas. Verter el detergente en el distribuidor que se encuentra en la parte interna de la puerta. ¡Hacerlo antes de que comience el ciclo de lavado!

## El detergente

### Carga del detergente

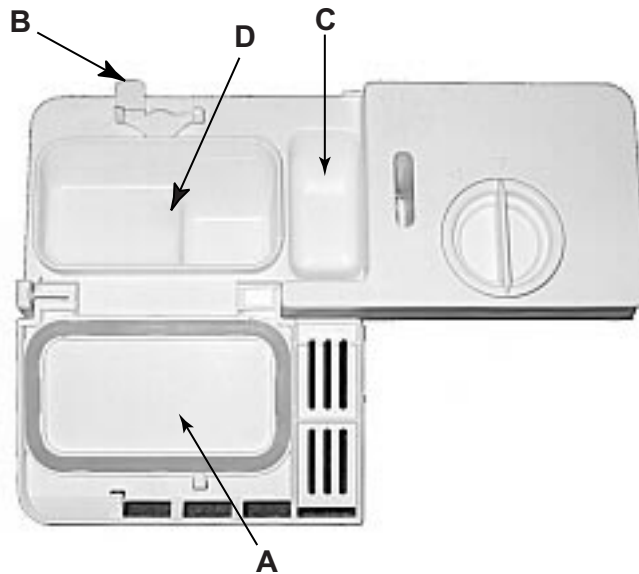
Para abrir la tapa A, pulsar el botón B. El detergente se introduce en las dos cubetas C y D hasta el borde.

Ahora se puede cerrar la tapa: presionar hasta que se sienta el disparo del cierre.

Es preferible usar detergente en pastillas, colocar una en la cubeta "D". Ahora se puede cerrar la tapa: presionar hasta que se sienta el disparo del cierre.

### ¡No se cierra!

Controlar que en los bordes de la cubeta no hayan quedado residuos de detergente. Ése es el motivo por el cual la tapa no se puede cerrar. Eliminarlos y se podrá cerrar.



**¡ATENCIÓN!**  
¡El detergente es corrosivo!

Mantener los detergentes alejados del alcance de los niños.

- El uso de demasiado detergente no garantiza un mejor lavado o vajilla más limpia. Emplear una cantidad adecuada a la carga de lavado.

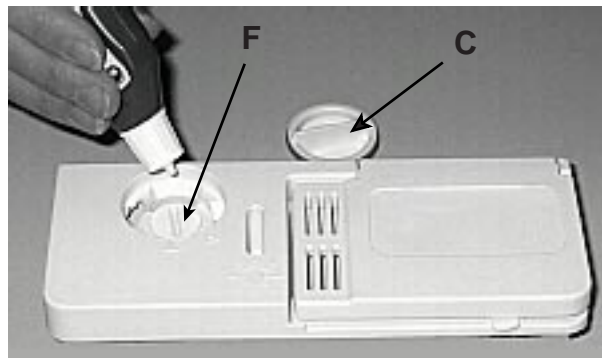
- Guardar el detergente y el abrillantador en un lugar fresco y seco.

## Abrillantador

El abrillantador vuelve su vajilla más brillante porque mejora su secado. El recipiente de abrillantador está ubicado dentro de la puerta, deberá llenarlo cuando centellea la luz indicadora de falta de abrillantador «T»

### Carga del abrillantador.

Para abrir el contenedor, girar en sentido antihorario el tapón "C". Prestar atención cuando se vierte el abrillantador para evitar que se vuelque. Es posible adaptar la cantidad de abrillantador utilizado por el lavavajillas: regular con un destornillador el regulador F que se encuentra debajo de la tapa C.



Es posible elegir entre seis posiciones. Normalmente está fijado en la 4.

La regulación de la cantidad de abrillantador usado mejora el secado. Si en la vajilla lavada quedan gotas de agua o manchas, girar el regulador hacia los números más altos. Si en cambio, la vajilla presenta estrías blancas, girar el regulador hacia los números más bajos.

# Elegir el programa adecuado Cada tipo de suciedad tiene su programa

Lavando en lavavajillas se tendrá la garantía de un ambiente higiénico y de una limpieza más segura.

Sal, abrillantador, la dosis justa de detergente y el programa adecuado: he aquí la fórmula para obtener los mejores resultados y conservar bien el lavavajillas

Para optimizar el consumo, usar el lavavajillas lleno. Si para llenarlo se demora un poco de tiempo, utilizar el ciclo remojo, evitará la formación de malos olores e incrustaciones.

**Programas "AUTO"**  
Significa que el lavavajillas está dotado de un detector que evalúa el grado de suciedad de la vajilla y permite que estos programas se adapten automáticamente para brindar un lavado más eficiente y económico.

Programa	Indicaciones para la selección de programas	Descripción del ciclo	Detergente prelavado + lavado	Abrillantador	Duración del programa (tolerancia $\pm 10\%$ sin secado extra)
<b>Auto Lavado Intensivo</b>	Vajilla y ollas muy sucias (no usar para piezas delicadas)	Prelavado con agua caliente a 95°F Lavado a 140°F 2 aclarados con agua fría Aclarado caliente a 149°F Secado	<b>0.35 + 1.6oz. (10+45 gr.)</b>	*	<b>125'</b>
<b>Auto Lavado Normal</b>	Ciclo para vajilla y ollas normalmente sucias. Programa estándar diario.	Lavado a 122°F. Aclarado frío Aclarado caliente a 153°F Secado	<b>1.7oz. (50 gr.)</b>	*	<b>100'</b>
<b>Remojo</b>	Ciclo de enjuague empleado mientras se espera cargar más vajilla después de la siguiente comida	Breve lavado frío para impedir que los residuos de comida se sequen sobre la vajilla			<b>12'</b>
<b>Auto Lavado Eco</b>	Lavado ecológico de bajo consumo energético, adecuado para vajilla y ollas normalmente sucias.	2 prelavados fríos Lavado a 113°F Aclarado caliente a 149°F Secado	<b>0.35 + 1.6oz. (10+45 gr.)</b>	*	<b>160'</b>
<b>Lavado Rápido</b>	Ciclo económico y veloz para utilizar con vajilla poco sucia. Realizar el ciclo enseguida del uso. Sin secado	Breve lavado a 113°F Aclarado caliente a 122°F	<b>1.6 oz. (45 gr.)</b>		<b>30'</b>
<b>Tratamiento cristales</b>	Ciclo especial para utilizar con las piezas delicadas, más sensible a las altas temperaturas. Realizar el ciclo enseguida del uso	Lavado a 122°F Aclarado tibio a 104°F Aclarado caliente a 149°F Secado	<b>1.6 oz. (45 gr.)</b>	*	<b>120'</b>
<b>Lavado extra ollas</b>	Este ciclo garantiza un lavado muy intenso que se adapta especialmente a ollas y sartenes. No emplear para vajilla delicada	Prelavado frío Lavado a 122°F Aclarado tibio a 104°F Aclarado caliente a 149°F Secado	<b>0.18 + 1.6oz. (5+45 gr.)</b>	*	<b>130'</b>

# Nunca sin sal Agua de casa

La dureza del agua varía según las localidades. Si el agua de casa es demasiado dura es posible agregarle sal. Mientras más dulce es el agua mejores serán los lavados y los resultados del secado.

## Carga de la sal.

Se puede usar una sal especial para descalcificar o sal gema normal.

El depósito de sal se encuentra debajo del cesto inferior, llenarlo de la siguiente manera:

1. Extraer el cesto inferior totalmente y desenroscar y sacar el tapón del depósito
2. ¿Es la primera vez que se carga la sal? Si es así, primero llenar de agua el depósito (la próxima vez no será necesario hacerlo)
3. Colocar el embudo del lavavajillas en el orificio e introducir aproximadamente dos kilos de sal. Es normal ver salir un poco de agua del depósito.



4. Enroscar nuevamente y con cuidado la tapa.

## ¿Cuándo se debe cargar la sal?

El depósito de sal se debe llenar cuando centellea la luz indicadora de falta de sal "S". La máquina lo recuerda durante 5 ciclos sucesivos.

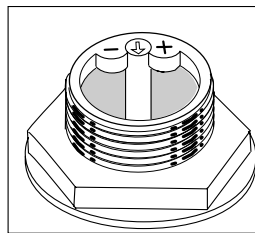
## Sal inteligente.

El lavavajillas permite regular el consumo de sal de acuerdo con la dureza del agua de casa. De este modo, es posible optimizar y personalizar el consumo de sal (ni mucho, ni poco). Para regular el consumo de sal proceder del siguiente modo:

1. Desenroscar la tapa del depósito de sal
2. En el collar del depósito, se ve una flecha (ver la figura): si es necesario, girarla en sentido antihorario desde el signo "-" hasta el signo "+".

Elegir la posición de la fle-

Dureza del agua			Posición del selector	Consumo sal (Kg/ciclo)	Autonomía (ciclos\70oz.)
Grados Clarke	°fH	mmol/l			
0 - 14	0 - 17	0 - 1,7	/	0	/
14 - 36	18 - 44	1,8 - 4,4	"-"	0.7	60
36 - 71	45 - 89	4,5 - 8,9	MED	1.4	40
>71	> 89	> 8,9	"+"	2.1	25



cha consultando el esquema sobre la dureza del agua.

Si no se conoce la dureza del agua, consultar al proveedor de agua local.

**NOTA: si no se encuentra sal de descalcificar especial, es posible utilizar sal gema normal.**

## Problemas y soluciones

# Si se presenta un problema, leer aquí

Puede suceder que el lavavajillas no funcione o funcione mal. En muchos casos, se trata de problemas que Ud. puede resolver sin tener que llamar al técnico. Antes de llamar a la asistencia, leer siempre estos puntos.

### El lavavajillas no arranca

- ¿El grifo de agua está abierto?
- ¿El grifo de agua está bien conectado al tubo?
- ¿No hay agua en la casa?
- ¿El agua llega con presión suficiente?
- ¿El tubo está doblado?
- ¿El filtro del tubo de alimentación de agua está tapado?
- ¿La puerta del lavavajillas está abierta?

### La vajilla no queda limpia.

- ¿Se ha colocado la dosis justa de detergente en la cubeta?
- ¿El programa de lavado seleccionado es el adecuado para la vajilla cargada?
- ¿El filtro y el microfiltro están limpios?
- ¿Los rociadores están libres?

### El lavavajillas no descarga.

- ¿El tubo de descarga está doblado?

### En la vajilla quedan depósitos calcáreos o una patina blanca.

- ¿La tapa del recipiente de sal está bien cerrada?
- ¿La dosis de abrillantador es la adecuada?

### Mensajes de error.

El lavavajillas está dotado de un sistema de seguridad capaz de detectar eventuales anomalías de funcionamiento. Estas anomalías están indicadas por una o dos luces testigo "M" del programa de lavado que centellean con frecuencia rápida.

Después de haber anotado cuáles luces testigo centellean, apagar la máquina y llamar a la asistencia técnica.

### Alarma por grifo cerrado

Si no se ha abierto el grifo de agua, la máquina lo indicará durante algunos minutos con breves señales sonoras. Abrir el grifo y la máquina, después de algunos

minutos, volverá a funcionar. Si Ud. no está presente cuando se emiten los sonidos, la máquina se bloquea automáticamente y las luces testigo 2 y 3 de la derecha centellean con frecuencia rápida. Apagar con el botón On-Off, abrir el grifo de agua y después de esperar aproximadamente 20 segundos, volver a encender la máquina; el programa seleccionado comenzará regularmente.

### Alarma por filtros atascados

Si la máquina está bloquea y centellean con frecuencia rápida las luces testigo 2 y 4 de la derecha, significa que el filtro está atascado por residuos de comidas. Apagar el lavavajillas, limpiar cuidadosamente el filtro y volver a colocarlo en su ubicación tal como se indica en la página 32. El programa seleccionado comenzará regularmente.

### Alarma por avería en la electroválvula de carga de agua.

Si la 3ª luz de la derecha parpadea con frecuencia rápida, apagar el lavavajillas y volver a encenderlo después de un minuto. Si la alarma continua, primero cerrar el grifo de agua para evitar inundaciones, luego desconectar el aparato y llamar a la asistencia técnica.

### ¿Se ha controlado todo pero el lavavajillas no funciona y el problema todavía existe?

Llamar el número de asistencia técnica de Ariston (1-888-426-0825) dando la siguiente información:

- el tipo de avería
- la sigla del modelo (Mod....) y el número de serie (S/N ....) que se encuentra en la placa aplicada en la parte lateral de la contrapuerta.

# El lavado de piezas especiales

Ante dudas sobre el lavado de vajilla especial, solicitar al fabricante si la misma se adapta para el lavado en lavavajillas.

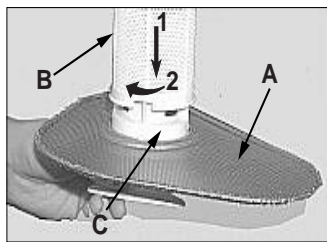
Material	Lavable en lavavajillas	Comentarios
Aluminio	Si, con precaución	El Aluminio anodizado, en presencia de detergente y a altas temperaturas, podría decolorarse u oscurecerse
Botellas o latas	No	Las etiquetas podrían pegarse y atascar los rociadores o la bomba reduciendo las prestaciones del lavado.
Hierro fundido	No	Se remueve el templado y el hierro se oxida
Porcelana / litocerámica	Si, con precaución	Consultar siempre las indicaciones del fabricante antes del lavado. Objetos antiguos y porcelana pintada a mano con motivos en la superficie o con decoraciones con hojas doradas pueden decolorarse.
Cobre	Si, con precaución	No lavar el cobre en la misma carga que la plata o el Silver Plate, ya que los objetos de plata pueden decolorarse.
Cristal	No Si	Algunos tipos de cristal al plomo podrían astillarse si se lavan en lavavajillas. Consultar las instrucciones del fabricante. Lavar a baja temperatura con un programa especial. Asegurarse que la vajilla de cristal se ha cargado con cuidado, para garantizar que no caigan o se golpeen con otra vajilla durante el lavado.
Plástico descartable	No	No se adapta para el lavado en lavavajillas
Vidrio	Si	Excepción: El vidrio opalino podría amarillearse
Hierro	No	El hierro se oxida.
Cuchillos	No	Los mangos de madera podrían arruinarse, romperse o aflojarse. Los mangos de plástico podrían decolorarse. Consultar las instrucciones de lavado del fabricante.
Objetos distintos de la vajilla	No	Utilizar SÓLO vajilla estándar para uso doméstico. No lavar nunca objetos como depuradores de aire eléctricos, filtros para el aire de cualquier tipo, pinceles para pintar, etc.
Revestimientos no adhesivos	Si	Si están marcados como lavables en lavavajillas. Después del lavado aplicar una leve capa de aceite vegetal para mantener las características no adhesivas.
Acero, plata y platos de plata	Si, con precaución	Excepción: La platería antigua y la decorada con un agente oxidante. El agua caliente puede aflojar los mangos de la platería antigua y hacer desaparecer los motivos ornamentales de la otra. No ponga nunca en contacto la vajilla de plata con otros metales: así se evita la formación de manchas y el ennegrecimiento. Los platos y bandejas de plata se deben lavar inmediatamente después del uso, sobre todo si han estado en contacto con sal, huevos, aceitunas, mostaza, vinagre, zumos de fruta y verduras cocidas.
Peltre, latón, bronce	No	El peltre se oxida.
Estaño	No	El estaño se oxida.
Madera	No	A menos que se indique como lavable en lavavajillas por el fabricante. La madera puede arruinarse, quebrarse o perder su forma con cualquier tipo de lavado.

## Cuidados y mantenimiento

# Limpieza y cuidados especiales

### El grupo filtrante

Para obtener siempre un buen lavado, es necesario limpiar el grupo filtrante. Los residuos de alimentos son eliminados por el agua de lavado cuando es puesta en circulación durante el ciclo de filtrado del agua al 100%. Por ello, después de cada lavado es aconsejable eliminar los residuos más grandes que se encuentran retenidos en el cartucho "<B>C" y por el filtro semicircular A ;tirar del mango del cartucho hacia arriba para sacarlo. Será suficiente enjuagarlos debajo del agua corriente. Una vez al mes es



necesario limpiar cuidadosamente todo el grupo filtrante: cartucho C + filtro semicircular A + filtro cilíndrico B. El filtro "B" se extrae girándolo en sentido antihorario. Para la limpieza utilizar un cepillo no metálico. Volver a colocar las piezas (como se indica en la

figura) y a introducir el grupo en el lavavajillas. Colocarlo en su posición ejerciendo presión hacia abajo.



**El lavavajillas no se debe utilizar sin filtros.**

Si al volver a colocar los filtros, se lo hace en forma incorrecta, se pueden producir disminuciones de la eficacia del lavado o daños al lavavajillas.

**Aproximadamente una vez por mes, dedicar un poco de atención al grupo filtrante y a los brazos rociadores.**

### Limpieza de los rociadores.

Puede suceder que algunos residuos de comida se adhieran a los brazos rociadores obstruyendo los orificios por los que debe salir el agua. Controlarlos y limpiarlos cada tanto (letras F e I capítulo "¿Cómo está compuesto?").



# Mantener eficiente el lavavajillas

Si se respetan algunas reglas, se tendrá siempre a disposición un compañero de trabajo confiable.

### Después de cada lavado.

Cuando el ciclo de lavado ha terminado dejar siempre semiabierta la puerta. No habrá problemas de humedad y no se formarán malos olores.

### Desenchufarla.

Siempre desenchufar la máquina antes de realizar cualquier tipo de limpieza o mantenimiento. Se evitará así cualquier peligro.

### ¡Nada de solventes! ¡Nada de productos abrasivos!

Para limpiar la parte externa y las partes de goma del lavavajillas no usar solventes ni productos abrasivos, usar sólo un paño embebido en agua tibia y jabón.

Si hay manchas en la superficie interior del lavavajillas, utilizar un paño embebido en agua y un poco de vinagre blanco, o de lo contrario un producto detergente específico para lavavajillas.

### ¿Se va de vacaciones?

Si no se utiliza por períodos prolongados, aconsejamos realizar las siguientes operaciones:

- hacer un lavado en vacío
- cerrar el grifo de ingreso del agua
- dejar la puerta semiabierta

De este modo, las juntas durarán más tiempo y en su interior no se formarán olores desagradables.

### Mudanza.

En caso de mudanza es mejor tener el aparato en posición vertical. Si fuera necesario, se puede inclinar hacia la parte posterior.

### Las juntas.

Una de las causas de la formación de olores en el interior del lavavajillas es la presencia de residuos de comida en las juntas. Bastará limpiarlas periódicamente con una esponja humedecida.



No se preocupe por eliminar pequeños residuos de comida de la vajilla, pero sí se deben eliminar huesos, cáscaras y otros eventuales sobrantes antes de colocarla en los cestos. Vaciar los vasos y las copas.