

# NIC 641 B

## 60cm Induction Hob



### 60cm Induction Hob

#### Features and Benefits:

<b>4 Induction Elements</b>	Quick heat up and consistent temperature makes Induction cooking the best choice, especially when cooking delicate foods such as sauces or chocolate
<b>Frameless Design</b>	Not only does it look good, but it's easier to clean without the usual steel lip on the edge of your hob trapping dirt and grime
<b>Residual Heat Indicators</b>	As long as the element is hot this light will continue to glow. Less chance of burning yourself.
<b>Cool Touch Surface</b>	Because Induction cooking heats the pots and pans rather than the element itself the hob surface remains cool eliminating the chance of burning yourself and makes it easier to clean as food residue doesn't cook on
<b>Touch Control</b>	Simple to use touch control gives you greater control over temperature
<b>Instant Temperature Control</b>	Within seconds of changing the settings, your induction cooktop will react. This minimises the chances of burning food or overcooking dishes

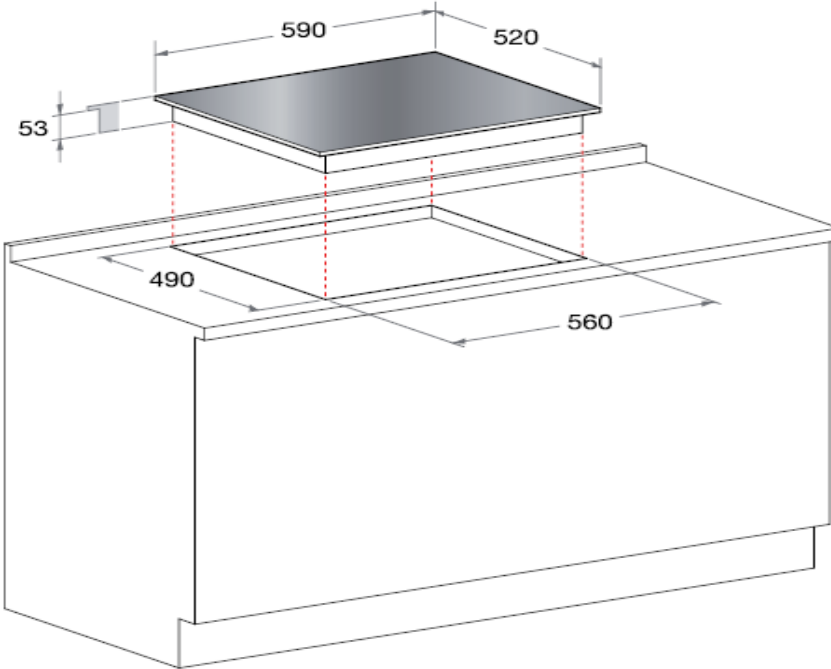
**Distributed by Arisit Pty Ltd**

40-44 Mark Anthony Drive, Dandenong South VIC 3175 Ph: 1300 762 219 Fax: 03 9768 0838 Website: [www.arisit.com](http://www.arisit.com)

1A Howe street, Auckland, New Zealand 1145 Ph: (09) 306 1020 Fax: 09 3020077

# NIC 641 B

## 60cm Induction Hob



### Technical Specifications:

Cooking Zones	4
Controls	Touch Controls
Residual Heat Indicators	Y
Edge	Beveled
Cable Length	1.0M
Absorbed Power	7200W
Connection	220-230/380-400V / 50/60Hz / 32A
Dimensions (W) x (H) x (D)	59 x 53 x 52

### ELEMENT CONFIGURATION

Front Left	2200W
Front Right	1400 (600)W
Rear Left	1400W
Rear Right	2200-B 3000W

WARNING: technical specifications and product sizes can be varied by the manufacturer, without notice. Cut outs for appliances should only be by physical product measurements. The above information is indicative only.

### Distributed by Arisit Pty Ltd

40-44 Mark Anthony Drive, Dandenong South VIC 3175 Ph: 1300 762 219 Fax: 03 9768 0838 Website: [www.arisit.com](http://www.arisit.com)

1A Howe Street, Newton, Auckland NZ 1145

Ph:(09) 306 1020

Fax: (09) 302 0077