



HYDRO TRACTOR

Parts Manual

Models

936038 42" Hydro Tractor



GB ENGLISH

423807 (21546854D) Rev. 4 02.17.09
Printed in USA

HOW TO USE THIS MANUAL

This manual is designed to provide the customer with a means to identify the parts on his/her tractor when ordering repair parts. The illustrations may or may not represent the actual assemblies; therefore, it is not recommended to use this manual as a guide to assemble or disassemble the tractor. Some hardware and parts are drawn larger in order to more readily identify them.

Each tractor has its own model number.

The model number for your tractor can be found on the fender under the seat.

When ordering parts, always give the following information:

- Product - "Tractor"
- MODEL NUMBER - "(936038) 96046000200"
- Part Number
- Part Description

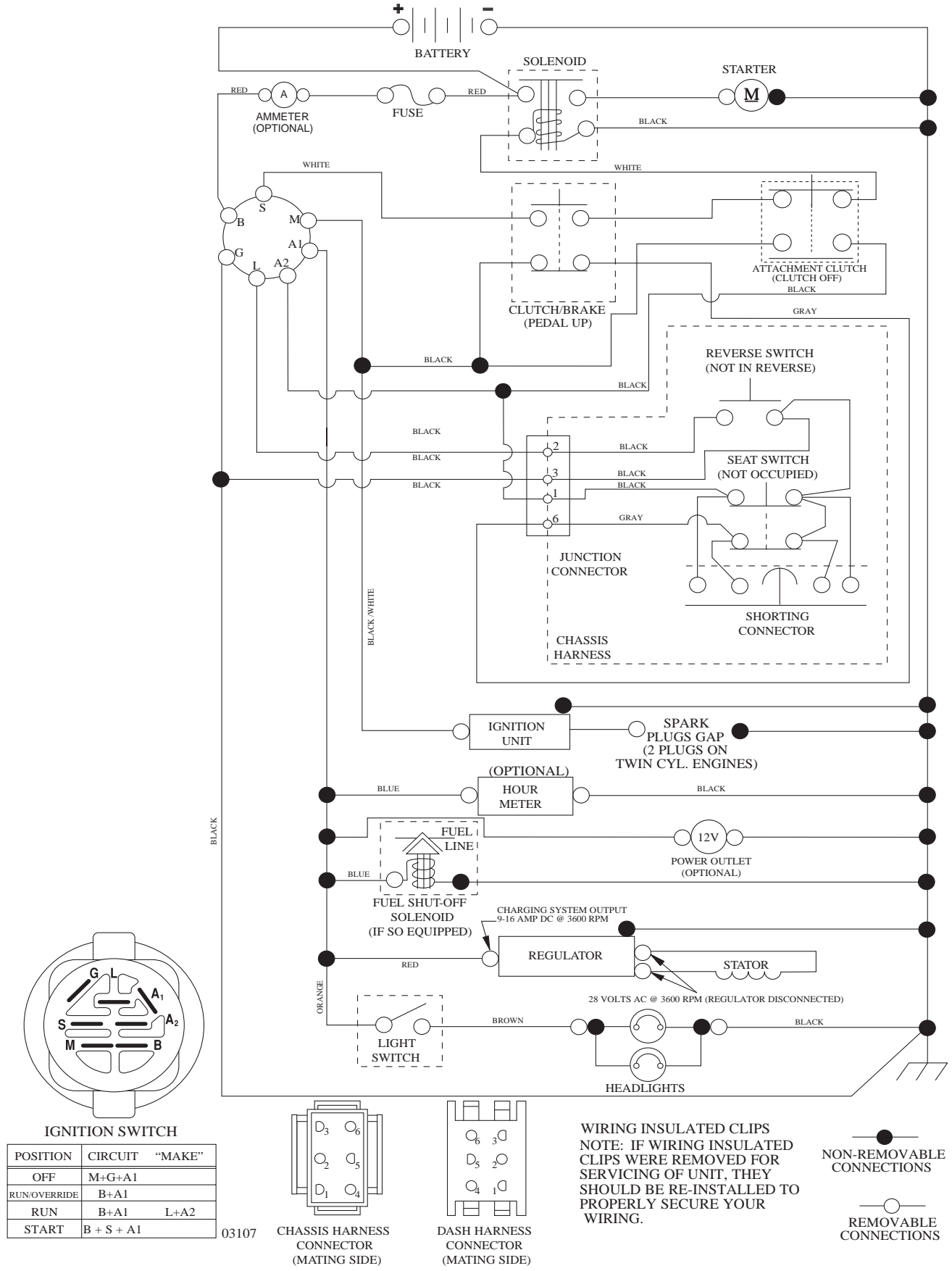
TABLE OF CONTENTS

SCHEMATIC	3
ELECTRICAL.....	4-5
CHASSIS	6-7
DRIVE.....	8-9
ENGINE.....	10-11
STEERING	12-13
MOWER DECK	14-15
MOWER LIFT.....	16-17
SEAT	18-19
DECALS.....	19-20
WARRANTY.....	21-22
PARTS AND SERVICE	24

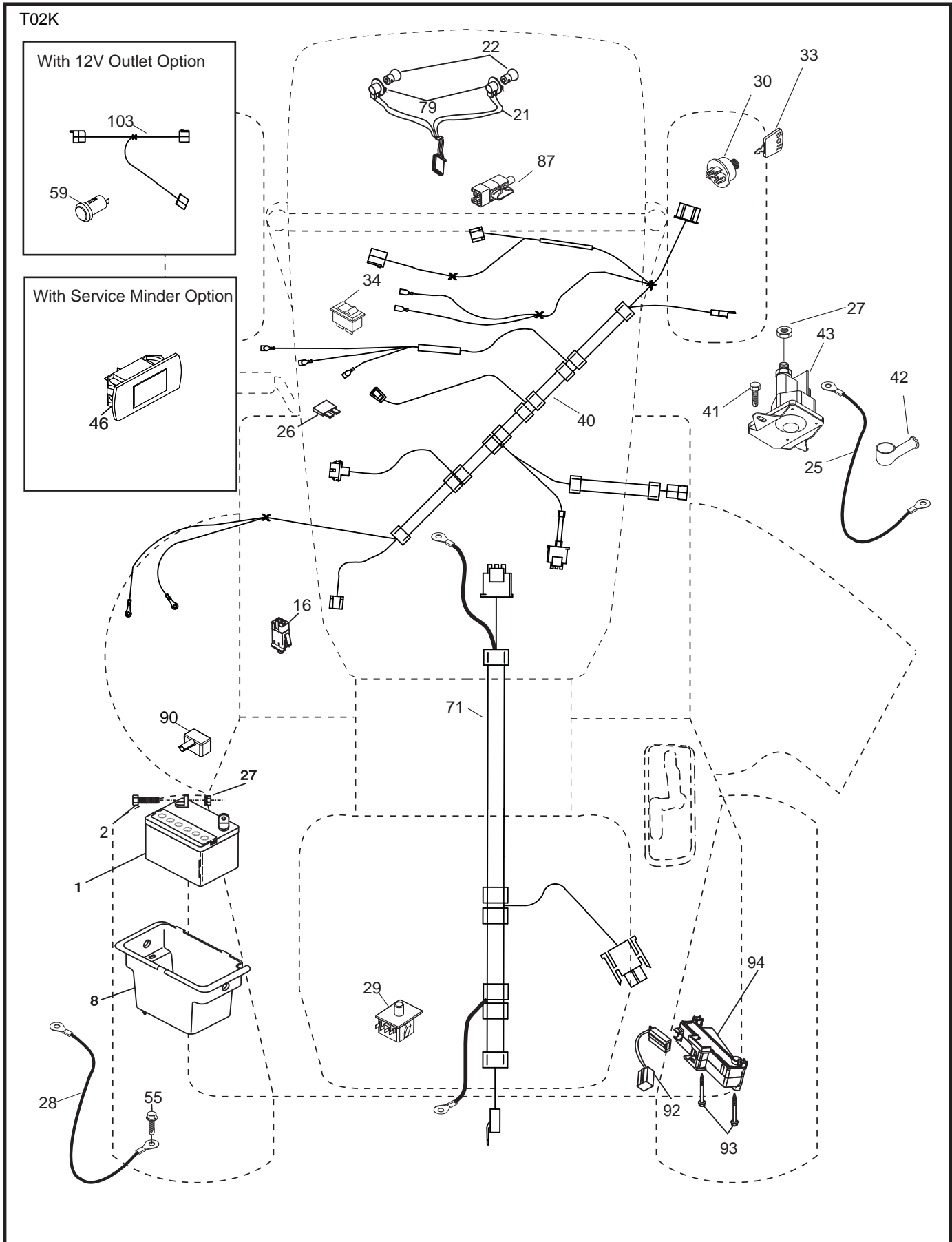
TRACTOR - MODEL NO. 936038 (9604600200), PRODUCT NO. 960 46 00-02

SCHEMATIC

SCH10



TRACTOR - MODEL NO. 936038 (96046000200), PRODUCT NO. 960 46 00-02
ELECTRICAL

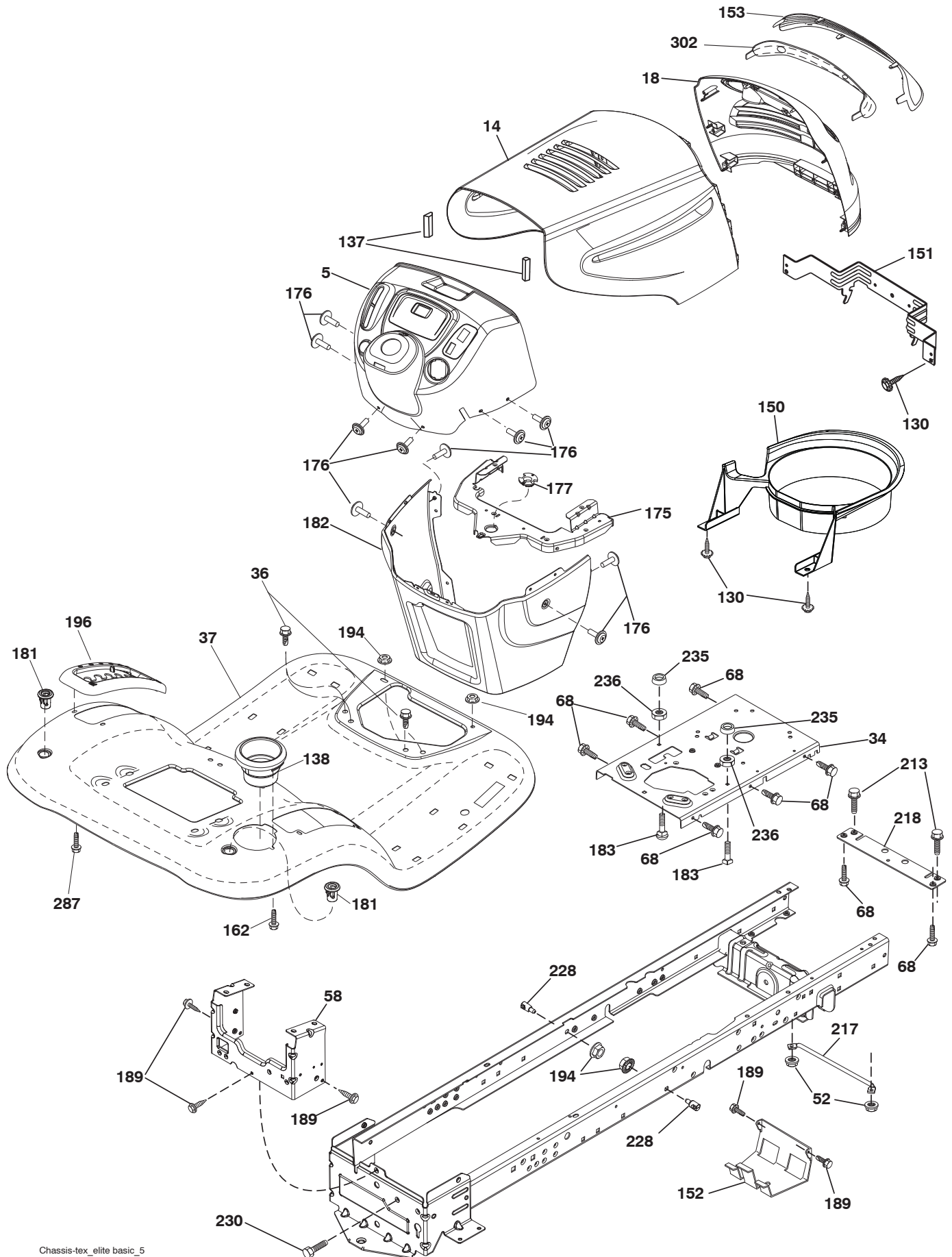


**TRACTOR - MODEL NO. 936038 (96046000200), PRODUCT NO. 960 46 00-02
ELECTRICAL**

ITEM NO.	MFG. NO.	ARIENS PART NO.	DESCRIPTION
2	74760412	21546803	Bolt Hex Hd 1/4-20 unc x 3/4
8	193228	21546315	Box Battery
16	176138	21546205	Switch.Interlock.Nono.Gray
21	183759	21546226	Harness Asm.Light.22"(4152j)
22	4152J	21546673	Bulb.Light.#1156
25	412894	21546646	Cable.Starter.6ga.Bl/Red.14.5"
26	175158	21546200	Fuse.20 Amp.
27	73510400	21546779	Nut, Keps Hex 1/4-20 unc
28	198885	21546481	Cable.Black.22"Rear Batt.Tex
29	192749	21546298	Switch.Seat.Dp.W/Ros
30	193350	21546319	Switch.Ign.Dlta.P-In.Ros
33	411935	21546640	Key/Chain.Blister Pack.Gen.Ce
34	110712X	21546050	Switch.Light/Reset.B/B/Red.
40	401098	21546568	Harness.Ign.Dash.Cbl.Ytgt.Pred
41	17720408	21546210	Screw 1/4-20 x 1/2
42	131563	21546082	Cover.Terminal.Red
43	192507	21546294	Solenoid.w/Brass Plunger.2005
55	17060512	21546187	Screw.5/16-18 x 3/4.Smgml.Tap/R
71	400449	21546558	Harness.Ign.Chass.Tex.Rear.Bat
79	175242	21546201	Socket Asm.Bulb.Twistlock
87	197802	21546457	Switch.Intrlck.Clutch.Cable.Tx
90	400725	21546560	Cover.Terminal.Battery.Rr.Tex
92	196615	21546412	Harness.Pigtail.Consle.Ros.Mlk
93	192540	21546295	Screw.Plastite.10-14 x 2.0
94	191834	21546849	Module Reverse ROS

NOTE: All component dimensions given in U.S. inches
1 inch = 25.4 mm

TRACTOR - MODEL NO. 936038 (96046000200), PRODUCT NO. 960 46 00-02 CHASSIS

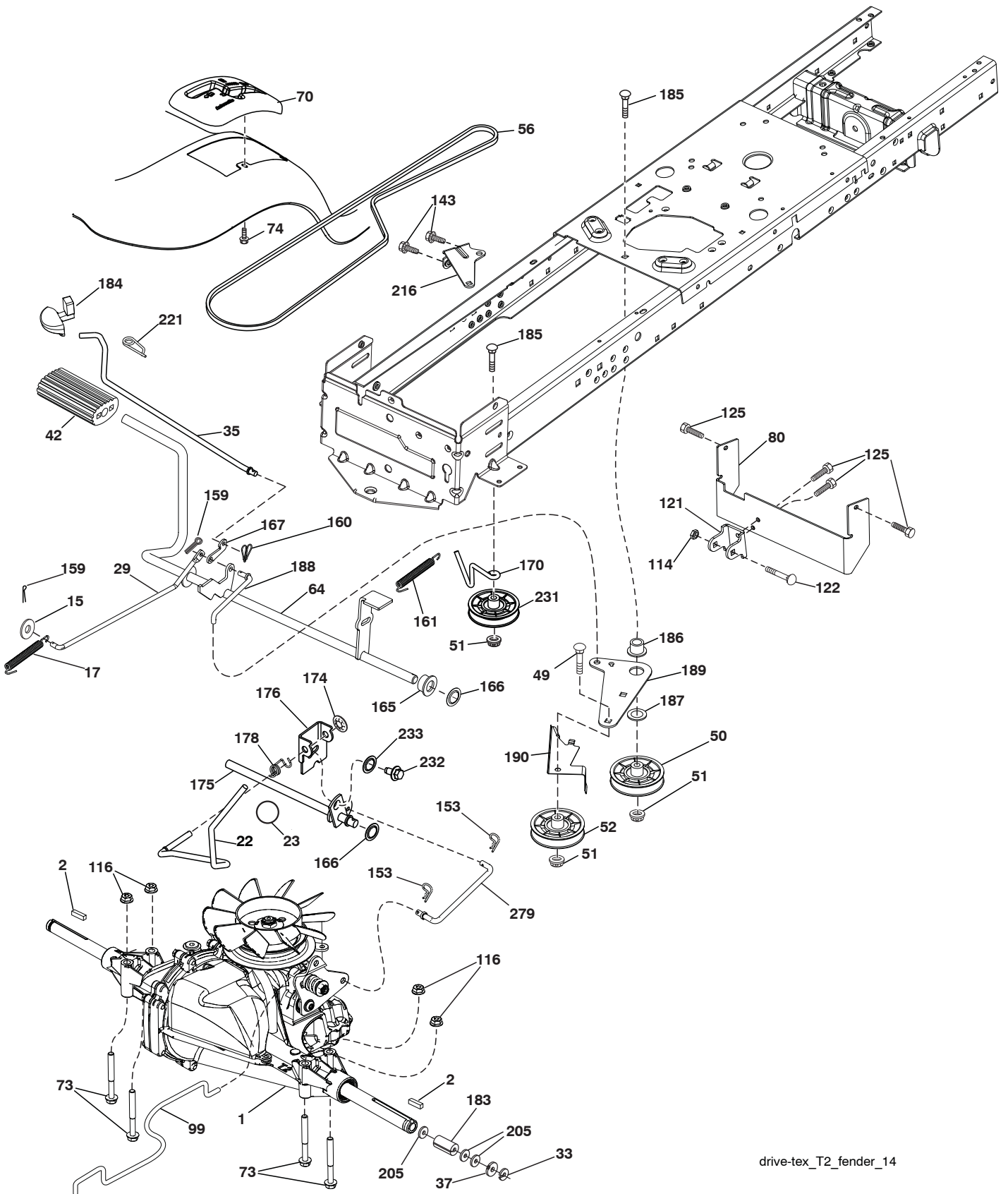


**TRACTOR - MODEL NO. 936038 (96046000200), PRODUCT NO. 960 46 00-02
CHASSIS**

ITEM NO.	MFG. NO.	ARIENS PART NO.	DESCRIPTION
5	197783X428	21546456	Dash.P/L Tex.Cbl Cl.N/Chk.428
14	423094X422	21546705	Hood.Pnt.Elite.Spl-Tp.N-Skirts
18	423182	21546711	Grille Asm.Elite Basic.Ariens
34	196125	21546384	Plate.Engine.Welded.Chassis
36	17060512	21546187	Screw.5/16-18 x 3/4. Smgml.Tap/R
37	414872X422	21546667	Fender.Tlt.Fs.w/Cuphld.422
52	73680500	21546784	Nut, Hex, Crownlock 5/16-18
58	412280	21546643	Drawbar.Upper.2pc.Sml.Fender
68	17490508	21546199	Screw.Thdrol.5/16-18 x 1/2tytt
130	416358	21546675	Screw
137	184921	21546230	Bumper.Hood.Large. 1.75"
138	193224X428	21546311	Cupholder.TI.Tex.428
150	184462	21546229	Air Duct.Intake.B&S/Honda.
151	407807	21546626	Bracket.Pivot.Lasr/Elte/Husq Lt
152	199535	21546501	Shield.Browning.w/Tex
153	423181	21546710	Lens.Basic.Ariens
159	17000612	21546181	Screw.Hexwsh Thdr3/8-16 x 3/4.Bl
162	142432	21546106	Screw.Hex.Wsh.Hi-Lo.1/4 x 1/2 unc
175	193243	21546317	Crossmember.Lt
176	400776	21546562	Screw.#10-24x5/8.Rnd.Qudrx.Gim
177	195228	21546357	Bushing.Steering.Lt
180	415063	21546670	Chass.Wldmt.TI.12ga/2pc.18/22"
181	193102X428	21546304	Bushing.Mnt.Fend.Crgo.Blk.Tex
182	193057	21546302	Dash Lower.Lt.Ccs
183	74780520	21546814	Bolt.Fin.Hex.5/16-18 unc x 1-1/4
189	17000512	21546180	Screw.5/16-18x3/4. Smgml.Tap/Bl
194	73900500	21546789	Nut, Lock Hex Flange 5/16-18 unc
196	414579	21546663	Console Asm.Decklft.Bl/Rbt.Tlt
213	74760512	21546804	Bolt, Hex Head 5/16-18 x 3/4
217	409167	21546636	Rod.Pivot.Hood
218	196395	21546400	X-Piece.Hood.Stop.Non/Stealth
228	195161	21546343	Stud.Fastner.w/'D'Anti-Rotatio
230	170165	21546846	Bolt Shoulder 5/16-18
235	406129	21546619	Spacer.Fender
236	73930500	21546793	Nut.Center Lock.5/16-18 unc
287	17600406	21546204	Screw.Hex.Washead.1/4-20 x 3/8
302	183823	21546227	Insert.Lens.Refl.Basic.Lt

NOTE: All component dimensions given in U.S. inches
1 inch = 25.4 mm

TRACTOR - MODEL NO. 936038 (96046000200), PRODUCT NO. 960 46 00-02 DRIVE

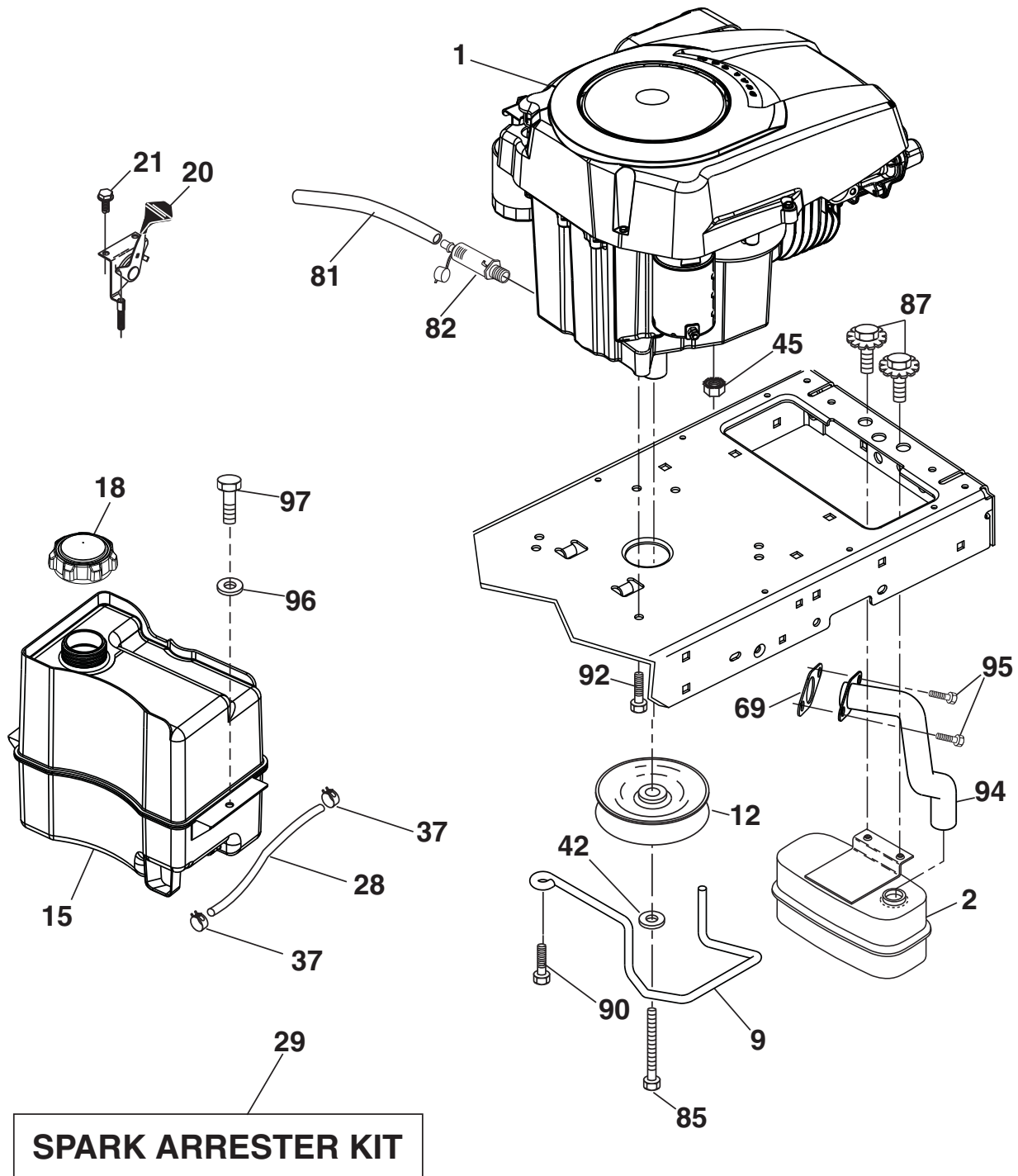


drive-tex_T2_fender_14

TRACTOR - MODEL NO. 936038 (96046000200), PRODUCT NO. 960 46 00-02 DRIVE

ITEM NO.	MFG. NO.	ARIENS PART NO.	DESCRIPTION
1	-----	-----	Transaxle, Hydro Gear T2-AABC-1X1A-1GX1
2	123583X	21546070	Key.Square.2.0 x .1845/.1865
15	19131316	21546284	Washer.13/32 x 13/16 x 16 Ga.
17	197296	21546433	Spring.Brake.Gt.Tex
22	197660	21546450	Rod.Shift.Fender.Tlt.2006
23	140845	21546844	Knob Deluxe
29	408391	21546630	Rod.Brake.T2.Tex
33	12000001	21546051	E-Ring.#5133-75
35	197722	21546453	Rod.Brake.Parking.Lt.Tex
37	121749X	21546067	Washer.25/32 x 1 1/4 X 16 Ga.
42	8883R	21546831	Cover.Pedal.Blk.Round
49	72110614	21546766	Bolt.Rdhd.3/8-16 unc x 1-3/4.Gr5
50	194327	21546331	Idler.Flat.910"Offset
51	73900600	21546790	Nut, Hex, Flangelock 3/8-16
52	194326	21546330	Idler.V-Groove.910"Offset
56	125907X	21546076	V-Belt.Ground Drive.90.00
64	196200	21546387	Shaft Asm.Pedal.Brake Control
70	193220X428	21546310	Console.Shift.Stl.Hyd.Black.Tx
73	74490544	21546798	Bolt.Hex.Flghd.5/16-18.Gr.5
74	142432	21546106	Screw.Hex.Wsh.Hi-Lo.1/4 x 1/2 unc
80	408393	21546631	Strap.Torque.Fs.T2
99	408418	21546632	Rod.Asm.Bypass.Spring.T2.Fs
114	73800500	21546786	Locknut, Washer Insert 5/16-18
116	73900500	21546789	Nut, Lock Hex Flange 5/16-18 unc
121	175611	21546203	Bracket.Strap.Torque.T/A.3500
122	72010520	21546757	Bolt.5/16-18 X 2.50
143	17490508	21546199	Screw.Thdrol.5/16-18 x 1/2tytt
153	4497H	21546739	Retainer Spring
159	76020412	21546820	Pin.Cotter.1/8 x 3/4.Cad.
160	169484	21546178	Retainer.Clip(M).Dia.290
161	105709X	21546028	Spring.Return.Clutch.6.75
165	196212	21546393	Bushing.Shaft.Brake.Hand Contr
166	197290	21546432	Nut.Push..625.2006
167	405257	21546608	Latch.Brake.Parking
170	413430	21546648	Keeper.Center Span.1.688
174	197289	21546431	Nut.Push..500
175	408539	21546634	Shaft Asm.Shift.T2/K66.Fs.Tx
176	196214	21546394	Arm.Clevis.Rod.Shift
178	197456	21546445	Spring.Shift.Gt.2006
183	156972	21546141	Spacer.Axle.Pvst
184	198403X505	21546477	Handle.Parking Brake.Lttex.505
185	72110622	21546768	Bolt.Rdhd.3/8-16 unc x 2-3/4 Gr. 5
186	194321	21546328	Spacer.Retainer
187	19133210	21546287	Washer.13/32 x 2 x 10 Ga.
188	194323	21546329	Link.Clutch.Ground Drive
189	194317	21546324	Bellcrank.Groundrive.Nstg/Nstl
190	194318	21546325	Keeper.Bellcrank.Drive.Ground
205	121748X	21546066	Washer.25/32 x 1-5/8 x 16ga.
216	196131	21546385	Bracket.Pulley.Idler.Wtex
221	403187	21546588	Retainer.Spring.Clip.Handle
231	407287	21546622	Idler.V-Groove.1.688"Offset
232	74780716	21546818	Bolt.Fin Hex.7/16-14 x 1 Gr. 5
233	405296	21546609	Washer.Serrated
279	408538	21546633	Link.Shift.T2.Tex

NOTE: All component dimensions given in U.S. inches
1 inch = 25.4 mm



TRACTOR - MODEL NO. 936038 (96046000200), PRODUCT NO. 960 46 00-02 ENGINE

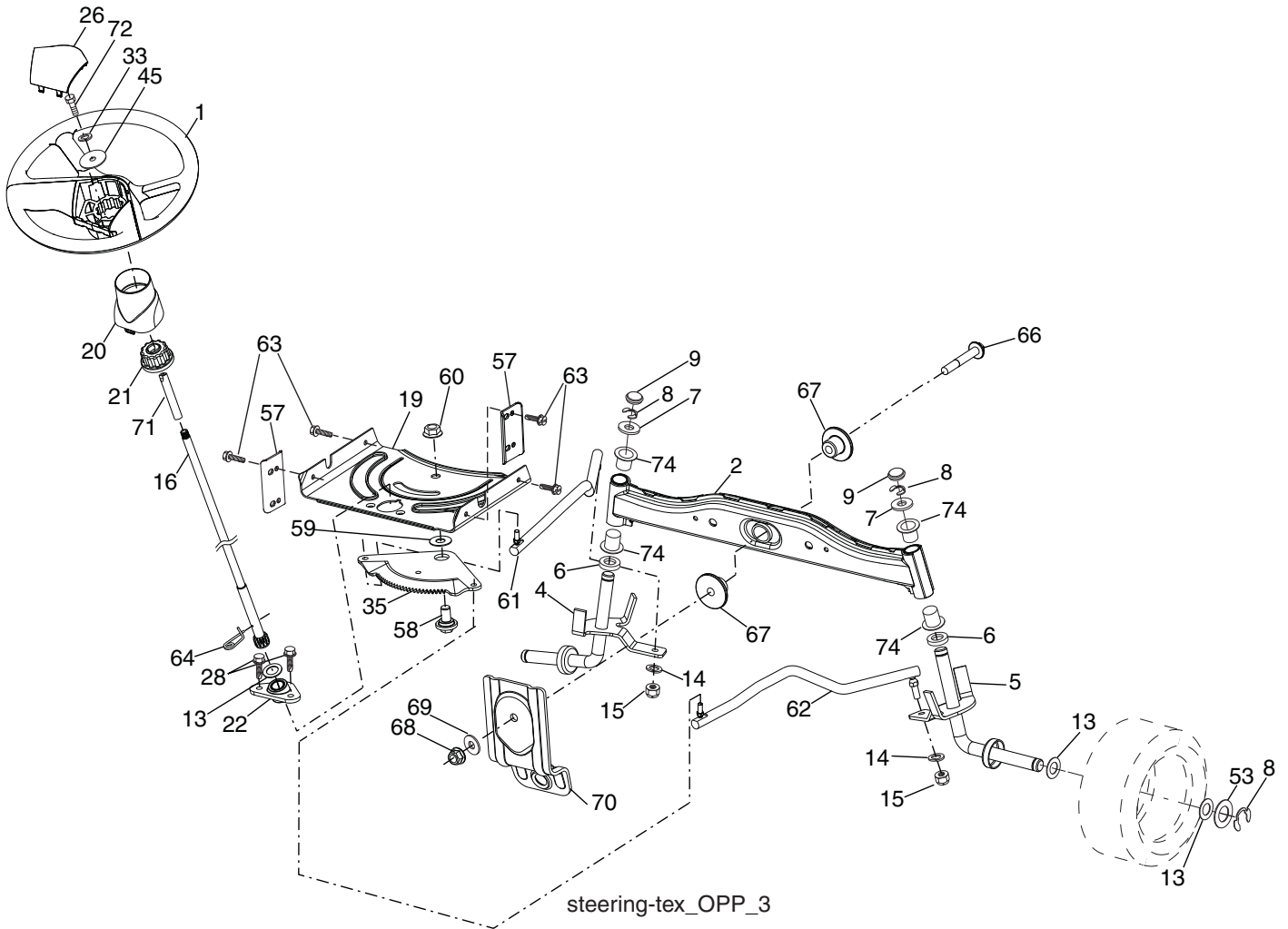
ITEM NO.	MFG. NO.	ARIENS PART NO.	DESCRIPTION
1	-----	-----	Engine Kohler Model No. SV590
2	188655	21546269	Muffler.Single.Cyl.Kohl.Courag
9	194319	21546326	Keeper.Belt.Engine.3.25"Nstl
12	401985	21546580	Pulley.Engine
15	407545	21546624	Tank.Fuel.Frt.N/Cap.1.5gal.Dap
18	197725	21546454	Cap Asm.Fuel.Top.125/2.5.Lttx
20	176636X428	21546206	Control.Th/Ck.Cobra.Bs.Eec.428
21	416358	21546675	Screw
28	401137	21546571	Line.Fuel.22"Front.Emis.Ca.Lp
29	137180	21546090	Kit.Spark Arrestor(392390 B&S)
37	123487X	21546069	Clamp.Hose.Blk.
42	10040700	21546004	Washer.Lock.Hvy Hlcl.Spr.7/16
45	73510400	21546779	Nut, Keps Hex 1/4-20 unc
69	185909	21546232	Gasket.Kohler.Sv.I.(20-041-12)
81	148456	21546117	Tube.Drain.Oil.Easy
82	181654	21546220	Plug.Drain.Oil.Easy
85	173937	21546191	Bolt.Hex.7/16-20 x 4 x Gr. 5-1.5thr.
87	171877	21546190	Bolt.5/16-18 unc x 3/4 w/Sems.Blk
90	17000616	21546182	Screw.3/8-16 x 1.Smgml.Tap/R.Blk
92	17120616	21546188	Screw.3/8-16 x 1.Smgml.Tap/R
94	188654	21546268	Tube.Exhaust.Kohl.Courage
95	192334	21546293	Screw.Socket Hd.5/16-18 x .75
96	19091416	21546277	Washer.9/32 x 7/8 x 16 Ga.
97	17670412	21546207	Screw.Hexwsh.Thdrol.1/4-20 x 3/4

NOTE: All component dimensions given in U.S. inches
1 inch = 25.4 mm

For engine service and replacement parts, call the toll free number for your engine manufacturer listed below:

Kohler Co. 1-800-544-2444

TRACTOR - MODEL NO. 936038 (96046000200), PRODUCT NO. 960 46 00-02
STEERING ASSEMBLY

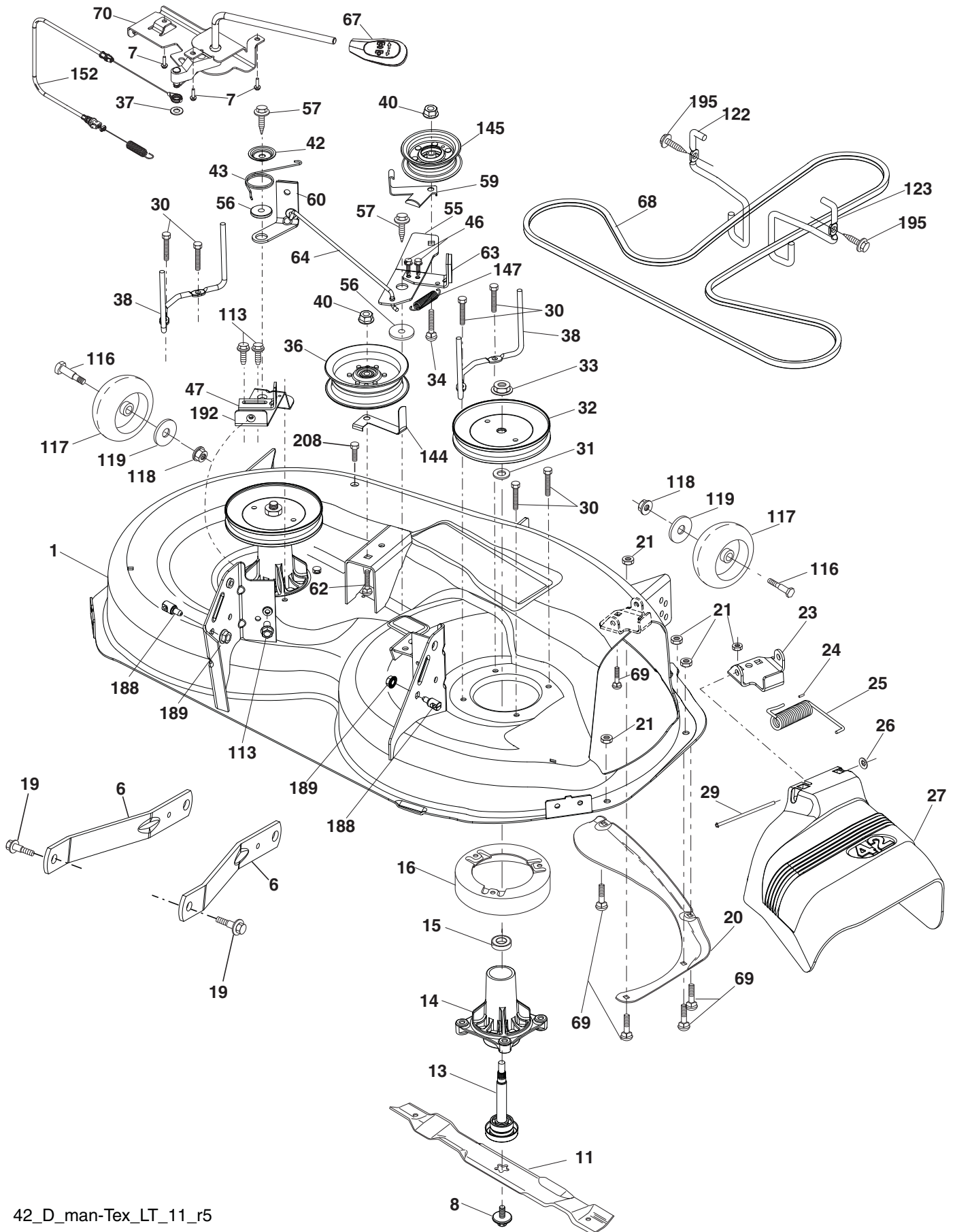


**TRACTOR - MODEL NO. 936038 (96046000200), PRODUCT NO. 960 46 00-02
STEERING ASSEMBLY**

ITEM NO.	MFG. NO.	ARIENS PART NO.	DESCRIPTION
1	414803X428	21546664	Wheel.Steering.Hard Rim.Black
2	418168	21546681	Axle Asm.Welded
4	403087	21546582	Spindle.Welded.LH.15"Tex
5	403088	21546583	Spindle.Welded.RH.15"Tex
6	6266H	21546750	Washer.Thrust..75 x 1.230
7	121748X	21546066	Washer.25/32 x 1-5/8 x 16 Ga.
8	12000029	21546053	Ring.Klip.#T5304-75
9	121232X	21546064	Cap.Spindle.Fr.Top.Blk.
13	121749X	21546067	Washer.25/32 x 1 1/4 x 16 Ga.
14	10040600	21546003	Washer, Lock 3/8
15	73540600	21546782	Nut.Crownlock.3/8-24
16	408220	21546629	Shaft.Steer.5/8 Tex.Non-Plated
19	194729	21546334	Plate.Steer.Ddl.Nlt/Ngt
20	198375X428	21546475	Boot.Steering.Lt.Tex P/L.428
21	186737	21546234	Adapter.Wheel.Strg..760
22	194845	21546342	Bushing Asm Steering.Alum.Nlt
26	414854X428	21546665	Cap.Whl.Strg.Hrs/Srs.Black
28	17000612	21546181	Screw.Hexwsh Thdr3/8-16x3/4.BI
33	10040500	21546002	Washer, Lock 5/16
35	194732	21546335	Gear Sector.Plate.Ddl.Nlt/Ngt
45	19113812	21546280	Washer.11/32id x 2 3/8od x 12 Ga.
53	188967	21546272	Washer.Harden..793 x 1.637 x 060
57	407465	21546623	Bracket.Upstop.Tex
58	194747	21546339	Bolt.Shoulder.Sector.Pivot.Cfm
59	194748	21546340	Washer.Thrust.Sector.Steer.Nlt
60	73971000	21546797	Nut.Flange Lock.5/8-11
61	194740	21546337	Draglink.Lh.Ballstud.Ddl.
62	194741	21546338	Draglink.Rh.Ballstud.Ddl
63	17000512	21546180	Screw.5/16-18 x 3/4. Smgml.Tap/BI
64	199849	21546512	Retainer.Clip.Spring.Steering
66	71020748	21546754	Bolt.Hex.Fghd.7/16-14 x 3.Serr
67	194737	21546336	Bushing.Pm.Front Axle
68	73900700	21546791	Nut.Lock.Flange.7/16-14.Gr. 5
69	199162	21546483	Washer.1.5 x .505 x .118
70	196197	21546386	Bracket.Deck.Suspension.Front
71	196075	21546381	Shaft.Exten.Strg.Spline.Tex
72	74780572	21546815	Bolt.Fin.Hex.5/16-18 unc x 4.5.Gr. 5
74	3366R	21546550	Bearing.Col.Strg.Blk.

NOTE: All component dimensions given in U.S. inches
1 inch = 25.4 mm

TRACTOR - MODEL NO. 936038 (96046000200), PRODUCT NO. 960 46 00-02 MOWER DECK

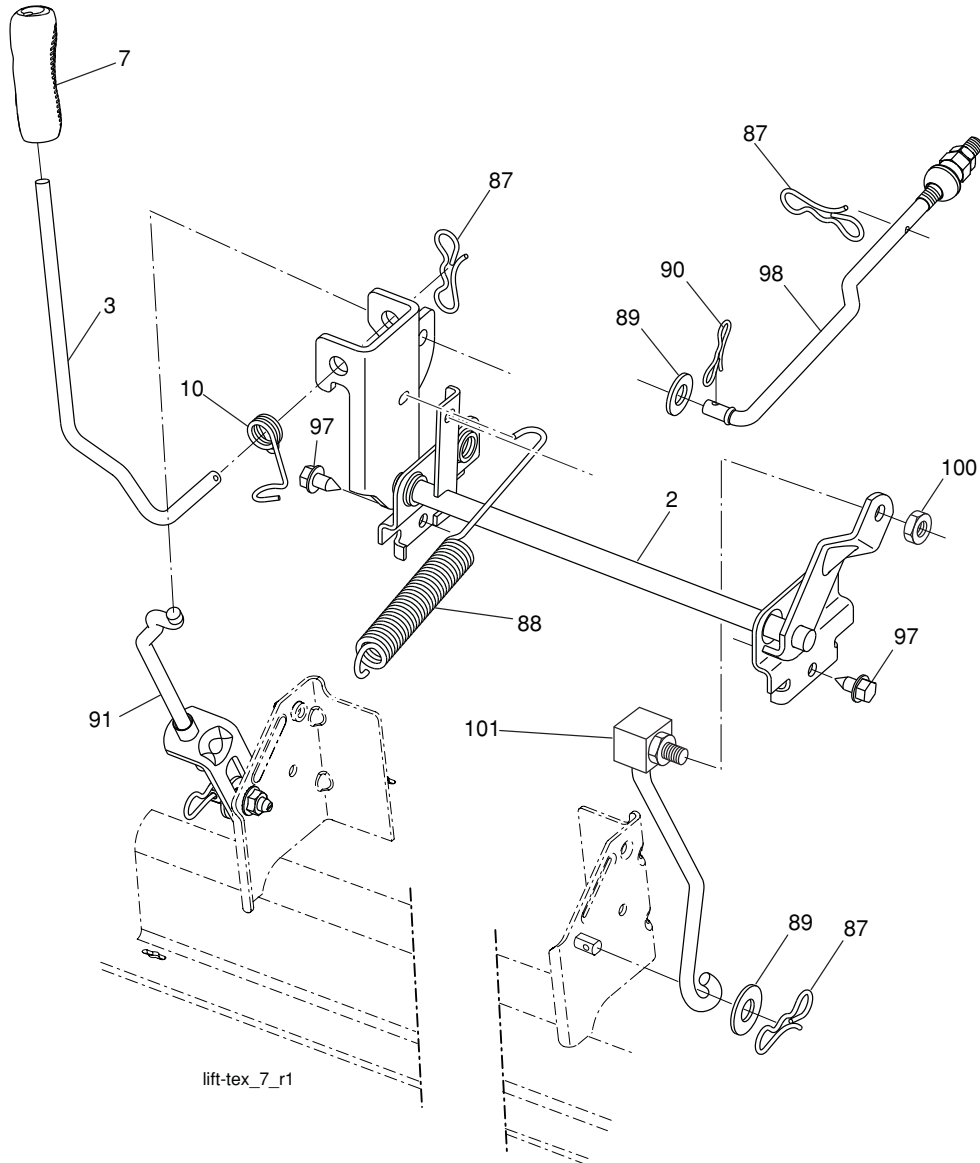


TRACTOR - MODEL NO. 936038 (96046000200), PRODUCT NO. 960 46 00-02 MOWER DECK

ITEM NO.	MFG. NO.	ARIENS PART NO.	DESCRIPTION
1	196495	21546409	Deck.Weldment.42"
6	195186	21546347	Arm.Suspension.Mower.Rear.Ld
7	416358	21546675	Screw
8	193003	21546301	Bolt/Washer Asm.7/16-20.unf
11	138971	21546095	Blade.Mower.42"Hi Lift Premium
13	192872	21546300	Shaft Asm.Mndrl.N/Greaseable38
14	187281	21546238	Housing.Mandrel.4pt.Service
15	110485X	21546046	Bearing.Ball.Mandrel
16	174493	21546195	Stripper.Mandrel.Deck
19	196539	21546411	Bolt.Shoulder
20	159770	21546144	Baffle.Vortex.42.Std/Heavy Dty
21	73680500	21546784	Nut, Hex, Crownlock 5/16-18
23	192557	21546296	Bracket.Deflector.38/42"2005
24	105304X	21546025	Cap.Sleeve..80 x.112.Blk.Mower
25	197026	21546416	Spring.Torsion.Dfl.38/42/46.Gr
26	110452X	21546045	Nut.Push.Phos.& Oil
27	193108X428	21546305	Shield.Deflector.Mower 42"Blk
29	131491	21546081	Rod.Hinge.42/46"
30	173984	21546192	Screw.Thd Roll.Dod Pt.Hex
31	187690	21546253	Washer.Spacer.Mandrel
32	197473	21546446	Pulley.Mandrel.5.438 Pd.42"
33	400234	21546554	Nut.Flange.Lock.Top
34	72110612	21546765	Bolt.Carr.Sh.3/8-16 x 1-1/2.Gr. 5
36	197379	21546440	Pulley.Idler.4.50.Raw
37	19131316	21546284	Washer.13/32 x 13/16 x 16 Ga.
38	199189	21546487	Keeper.Belt.LH.Mandrel.42/46"
40	73900600	21546790	Nut, Hex, Flangelock 3/8-16
42	198410	21546478	Spring.Torsion.Brake
43	197256	21546423	Spring.Torsion.Retainer
46	137729	21546091	Screw.Thd.Roll.1/4-20 x 5/8
47	197250	21546421	Bracket.Clutch.Cable
55	197249	21546419	Idler.Arm
56	199092	21546482	Spacer.Retainer
57	17000616	21546182	Screw.3/8-16 x 1.Smgml.Tap/R.Blk
59	141043	21546103	Guard.Tuv.Idler
60	197261	21546429	Arm.Brake.Mower.42"
62	72110616	21546767	Bolt.Rd.Hd.Sq.Nk.3/8-16 unc x 2
63	199477	21546499	Arm.Brake.Mower
64	199790	21546511	Linkage.Brake
67	198398X428	21546476	Handle.Clutch.Cable.Lt.Tex.428
68	197253	21546422	Belt.Drive.100.97"
69	72140505	21546770	Bolt.Rdhd.Sqkn.5/16-18 x 5/8
70	198332	21546474	Clutch Asm.Manual.Lt.Tex
113	17000510	21546179	Bolt.5/16-18 Hex.Whs.Hd.Lck serr
116	4898H	21546741	Bolt.Shld."A"2.41."B"1.66
117	188606	21546267	Wheel.Gage.Half.Spoked
118	73930600	21546794	Nut.Centerlock.3/8-16 unc.
119	19121414	21546281	Washer 3/8 x 7/8 x 14 Ga.
122	197258	21546424	Keeper.Belt.Engine.LH.Lt.Tex
123	197259	21546426	Keeper.Belt.Engine.RH.Lt.Tex
144	199204	21546489	Keeper.Belt.Mower
145	193197	21546308	Pulley.Idler 48"Primary
147	401971	21546579	Spring.Return
152	408714	21546635	Cable.Clutch.Manual.w/Spr.
188	195161	21546343	Stud.Fastner.w/'D'anti-Rotatio
189	73900500	21546789	Nut, Lock Hex Flange 5/16-18 unc
192	197260	21546428	Bracket.Brake.Stand.LH
195	17000612	21546181	Screw.Hexwsh Thdr3/8-16 x 3/4.Bl
208	17670608	21546208	Screw.Thdrol.3/8-16 x 1/2.Tyt.Bl
--	192870	21546299	Mandrel Asm.Sub.N-Gr.4 Bolt (Mandrel Assembly (Includes Housing, Shaft Assembly, and Bearing Only - Pulley/Nut/Washer and Blade Bolt/Washers Not Included)
--	199608	21546506	Deck.Svc.42"Hp.Cbl.Gwb.Tx.431

NOTE: All component dimensions given in U.S. inches
1 inch = 25.4 mm

**TRACTOR - MODEL NO. 936038 (96046000200), PRODUCT NO. 960 46 00-02 MOWER
LIFT**



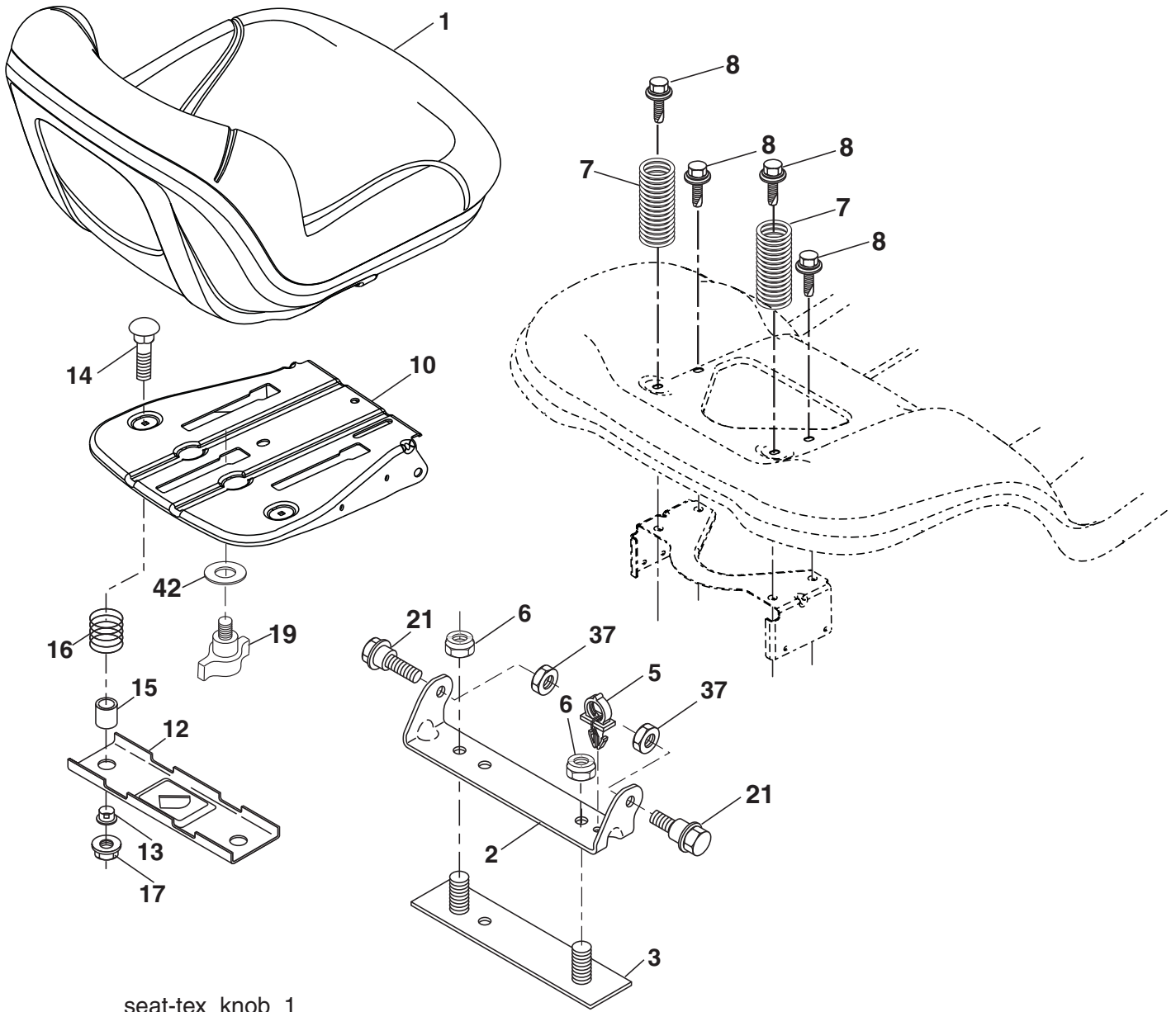
lift-tex_7_r1

**TRACTOR - MODEL NO. 936038 (96046000200), PRODUCT NO. 960 46 00-02 MOWER
LIFT**

ITEM NO.	MFG. NO.	ARIENS PART NO.	DESCRIPTION
2	195223	21546355	Shaft Asm.Lift.Cross.Hd.
3	195231	21546358	Lever.Lift.Handle.Lt
7	196492X428	21546408	Grip.Lever..5625 Id.Black 428
10	196314	21546397	Spring.Torsion.Handle.Lift
87	194209	21546322	Pin.Cotter.7/16.Bow Tie Lock
88	410710	21546638	Spring.Lift Assist
89	19171912	21546290	Washer.17/32 x 1-3/16 x 12 Ga.
90	194208	21546321	Pin.Cotter.5/16.Bow Tie Lock
91	195181	21546344	Link Asm.Lift.LH.Rear
97	17000612	21546181	Screw.Hexwsh Thdr3/8-16x3/4.Bl
98	195270	21546360	Link Asm.Susp.Front.Mwr.11
100	73930600	21546794	Nut.Centerlock.3/8-16 unc
101	407003	21546865	Link.Asm.Lift.FXD

NOTE: All component dimensions given in U.S. inches
1 inch = 25.4 mm

TRACTOR - MODEL NO. 936038 (96046000200), PRODUCT NO. 960 46 00-02 SEAT ASSEMBLY



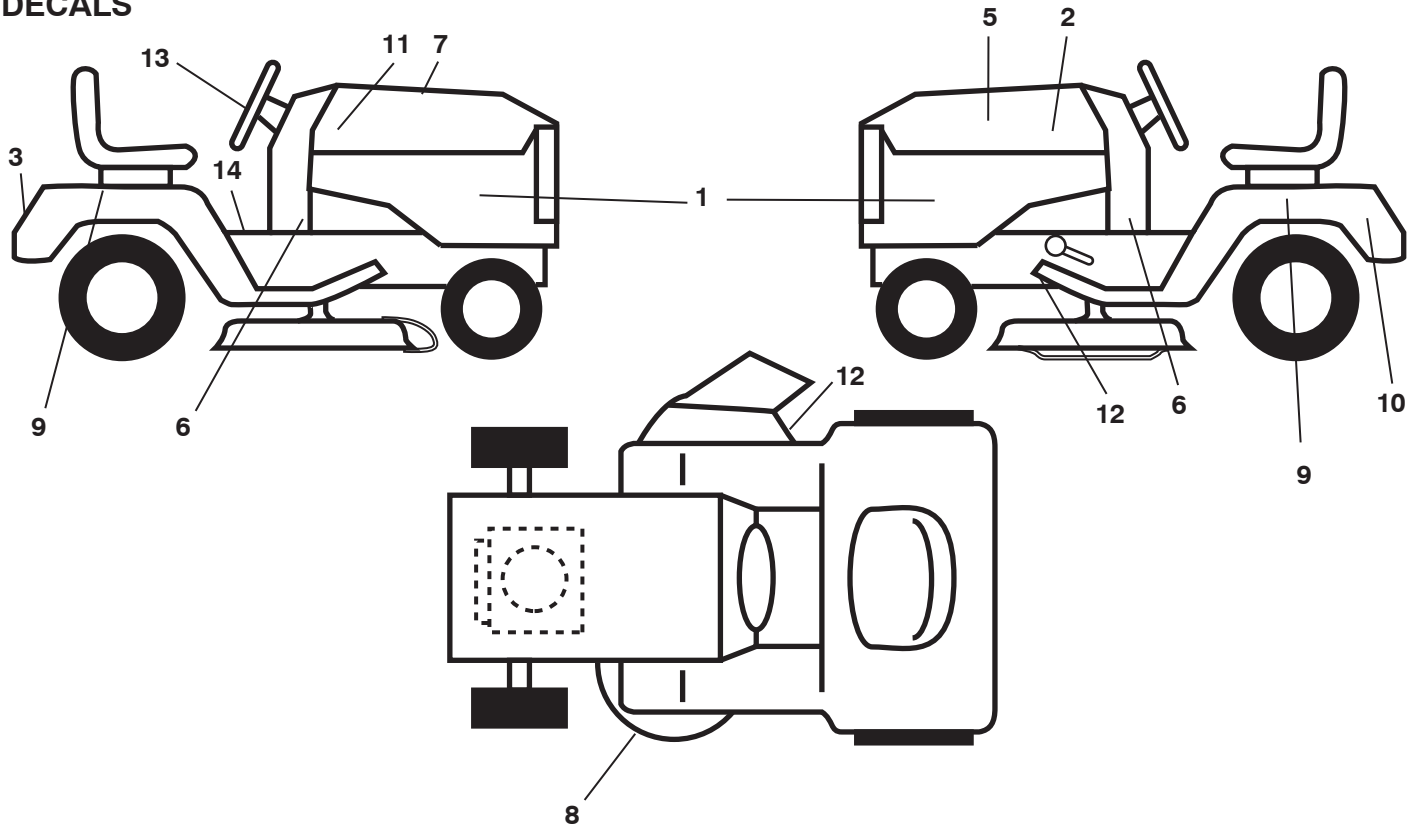
seat-tex_knob_1

TRACTOR - MODEL NO. 936038 (96046000200), PRODUCT NO. 960 46 00-02 SEAT ASSEMBLY

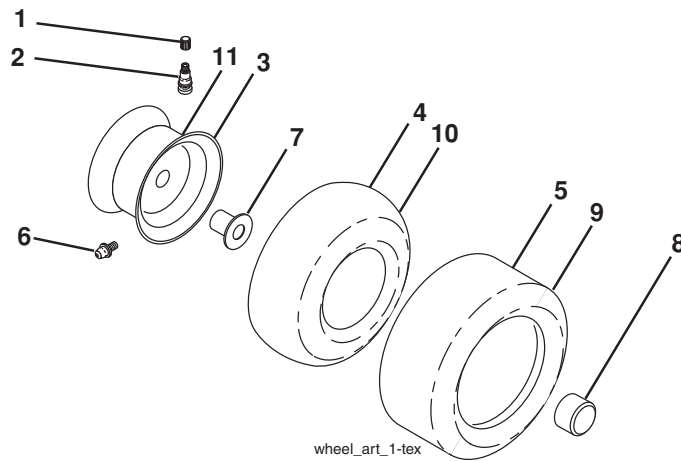
ITEM NO.	MFG. NO.	ARIENS PART NO.	DESCRIPTION
1	423009	21546702	Seat.Ta110.Black.Ariens
2	180166	21546216	Bracket.Pivot.Fender.2002
3	140675	21546101	Strap Asm.Fender.94
5	145006	21546110	Clip.Push-In.Hinged
6	73800600	21546787	Locknut, Washer Insert 3/8-16
7	124181X	21546074	Spring.Seat.Cprsn.2.250.Blk.Zi
8	171877	21546190	Bolt.5/16-18 unc x 3/4 w/Sems.Blk
10	199180	21546485	Pan Asm.Seat.Short.Lt.Tex
12	199370	21546491	Bracket.Mnt.Opc.Sw.Seat.Tex Lt
13	121248X	21546065	Bushing.Snap.Blk.Nyl..50 Id.
14	72050412	21546759	Bolt.Rdhd.Sht.Nk.1/4-20 x 1-1/2
15	134300	21546086	Spacer.Split..28x.96.Yel.Zinc
16	123740X	21546072	Spring.Cprsn.Plate.Sw.1.310.Ga
17	123976X	21546073	Nut.Lock.1/4 Lge.Flg.Gr.5.Zinc
19	199372	21546495	Knob.Seat Adj.3/8-16"Tex
21	171852	21546189	Bolt.Shld.5/16-18 unc-2a.Blk D
37	73800500	21546786	Locknut, Washer Insert 5/16-18
42	199371	21546493	Washer.Cup.Seat.Tex Lt

NOTE: All component dimensions given in U.S. inches
1 inch = 25.4 mm

**TRACTOR - MODEL NO. 936038 (96046000200), PRODUCT NO. 960 46 00-02
DECALS**



WHEELS AND TIRES



wheel_art_1-tex

TRACTOR - MODEL NO. 936038 (96046000200), PRODUCT NO. 960 46 00-02 DECALS

ITEM NO.	MFG. NO.	ARIENS PART NO.	DESCRIPTION
1	422812	21546692	Decal, Panel SD
2	422584	21546852	Decal, Hood RH
3	422855	21546698	Decal.Fender.Rear.Ariens
4	411658	21546639	Decal.Fender.Warning.Eng/Fr.07
5	423926	21546722	Decal.Rpl.Kh.Sngl.Tlw.42.T2
6	422856	21546699	Decal.Dash.Lower.19hp.Ariens
7	423830	21546720	Decal, Ethanol
8	160396	21546145	Decal.V-Belt.Sch.42/46"Mec/Ele
9	422813	21546693	Decal.Fender.Side.Hydro.Ariens
10	145005	21546109	Decal.Bat.Dan/Poi P/L Sym.Wpn
11	422583	21546851	Decal, Hood LH
12	170563	21546186	Decal.Mower.Warn.Keep Hand Awy
13	422810	21546690	Decal.Wheel.Steer.Ariens
14	422816	21546695	Decal, Flag
--	166960	21546177	Decal.Bypass.Fender.Crd/Lt/Yt
--	193226X428	21546313	Pad.Footrest.LH.Tlt.Black.428
--	193227X428	21546314	Pad.Footrest.RH.Tlt.Black.428
--	423806	21546853	Manual, Operator's (English/French)
--	423807	21546854	Manual, Parts (English/French)
--	424672	21546864	Manual, Operator's (Spanish)

NOTE: All component dimensions given in U.S. inches
1 inch = 25.4 mm

ITEM NO.	MFG. NO.	ARIENS PART NO.	DESCRIPTION
1	59192	21546747	Cap.Valve.Tire
2	65139	21546751	Stem.Valve
3	106732X643	21546038	Rim.Asm.6"Front(W.Grey).643
4	59904	21546748	Tube.Inner.Front.#35060
5	106222X	21546034	Tire.F.Ts.15 X 6.0 - 6.Service
6	278H	21546547	Fitting.Grease
7	9040H	21546832	Bearing.Flange
8	104757X643	21546024	Cap.Hub.Axle.W.Gry.1.50 X 1.00 (Front Wheel Only)
9	420531	21546685	Tire.R.Ts-Lt.18 x 9.5-8.C.Serv.
10	7152J	21546755	Tube.Rear.9.5 x 8.Service
11	106108X643	21546030	Rim Asm.8"Rear.W.Gry.Srvce.643
--	144334	21546845	Sealant, Tire (10 Oz. Tube)

NOTE: All component dimensions given in U.S. inches
1 inch = 25.4 mm



Two-Year Limited Consumer Lawn Tractor Warranty

Ariens Company (Ariens) warrants to the **original purchaser** that Ariens brand consumer tractors will be free from defects in material and workmanship for a period of two years after the date of purchase. An authorized Ariens dealer will repair any defect in material or workmanship, and repair or replace any defective part, subject to the conditions, limitations and exclusions set forth herein. Such repair or replacement will be free of charge (labor and parts) to the original purchaser except as noted below.

90-Day Limited Warranty on Service Parts and Accessories

Genuine Ariens brand service parts and accessories are warranted to be free from defects in material and workmanship for a period of 90 days after the date of purchase. An authorized Ariens dealer will repair or replace any such part or accessory free of charge, except for labor, during that period.

The duration of all warranties herein applies only if the product is put to personal use around a household or residence. If the product is put to any business use, agricultural, commercial, or industrial, then the duration of these warranties shall be 90 days after the date of purchase. If any product is rented or leased, then the duration of these warranties shall be 90 days after the date of purchase.

Exceptions, Limitations, Exclusions

Customer Responsibilities

Register the product immediately at the time of sale. If the dealer does not register the product, the customer must complete the product registration card in the literature package and return it to the Ariens Company, or register the unit online at www.ariens.com.

To obtain warranty service, the **original purchaser** must:

- Perform the maintenance and minor adjustments explained in the owner's manual.
- Promptly notify Ariens or an authorized Ariens service representative of the need for warranty service.
- Transport the product to and from the place of warranty service.
- Have the warranty service performed by an authorized Ariens service representative.

To find an Ariens authorized service representative, contact Ariens at:

655 W. Ryan Street
Brillion, WI 54110
(800) 317-5898
(920) 756 - 2141
www.ariens.com

Exceptions and Limitations

- Batteries are warranted only for a period of 12 months after date of purchase, on a prorated basis. For the first 90 days of the warranty period, a defective battery will be replaced free of charge. If the applicable warranty period is more than 90 days, Ariens will cover the prorated cost of any defective battery, for up to 12 months after the date of purchase.

Exclusions – Items Not Covered by This Warranty

- Engines and engine accessories are covered only by the engine manufacturer's warranty and are not covered by this warranty.
- Parts that are not genuine Ariens service parts are not covered by this warranty.
- The following maintenance, service and replacement items are not covered by this warranty unless they are noted in the Limitations section above: lubricants, spark plugs, oil, oil filters, air filters, fuel filters, brake linings, brake arms, shoes, runners, belts, scraper blades, shear bolts, mower blades, mower vanes, headlights, light bulbs, knives, cutters.
- Any misuse, alteration, improper assembly, improper adjustment, neglect, or accident which requires repair is not covered by this warranty.
- This warranty applies only to products purchased in the United States (including Puerto Rico) and Canada. In all other countries, contact place of purchase for warranty information.

Disclaimer

Ariens may from time to time change the design of its products. Nothing contained in this warranty shall be construed as obligating Ariens to incorporate such design changes into previously manufactured products, nor shall such changes be construed as an admission that previous designs were defective.

LIMITATION OF REMEDY AND DAMAGES

Ariens Company's liability under this warranty, and under any implied warranty that may exist, is limited to repair of any defect in workmanship, and repair or replacement of any defective part. Ariens shall not be liable for incidental, special, or consequential damages (including lost profits). Some states do not allow the exclusion of incidental or consequential damages, so the above limitation or exclusion may not apply to you.

DISCLAIMER OF FURTHER WARRANTY

Ariens Company makes no warranty, express or implied, other than what is expressly made in this warranty. If the law of your state provides that an implied warranty of merchantability, or an implied warranty of fitness for particular purpose, or any other implied warranty, applies to Ariens Company, then any such implied warranty is limited to the duration of this warranty. Some states do not allow limitations on how long an implied warranty lasts, so the above limitation may not apply to you.

This warranty gives you specific legal rights, and you may also have other rights which vary from state to state.



Ariens Company
 655 West Ryan Street
 Brillion, WI 54110-1072
 800-317-5898
 www.ariens.com

PARTS AND SERVICE

This product has been expertly engineered and carefully manufactured to rigid quality standards. As with all mechanical products, some adjustments or part replacement may be necessary during the life of your unit.

For parts and service, contact your local Ariens dealer. To find a dealer in your area, call 1-800-317-5898, or use the Dealer Locator on our web site, www.ariens.com.

- For replacement parts, have available the following information:
 - a. Model Number/Manufacturer's I.D. Number.
 - b. Description of part.

For Technical Assistance: call 1-800-317-5898.

For a Parts Manual, go to our website: www.ariens.com/customerservice/default.aspx

MODEL NUMBER _____

SERIAL NUMBER _____

DATE OF PURCHASE _____

THE MODEL AND SERIAL NUMBERS WILL BE FOUND ON A DECAL ATTACHED TO THE FENDER UNDER THE SEAT OF YOUR TRACTOR.

YOU SHOULD RECORD BOTH SERIAL NUMBER AND DATE OF PURCHASE AND KEEP IN A SAFE PLACE FOR FUTURE REFERENCE.

Ariens

PRODUCT	MAINTENANCE LEVEL	SERIAL
960460002	00	120108A001234
<small>MODEL</small>		
<small>MODEL</small>		
936038 / A19K42		
42" Hydro Tractor		

FOR SERVICE CALL 1-800-317-5898 CONFORMS TO ANSI B71.1-2003 SAFETY STANDARDS
 ASSEMBLED IN U.S.A. 424354
 ORANGEBURG, SC 29116

MODEL NUMBER (points to 960460002)

SERIAL NUMBER (points to 120108A001234)