

Antari[®] FOG MACHINE

User Manual for LCU-1 Liquid Control Unit

*Congratulations on the purchase of your new
ANTARI LCU-1 Liquid Control Unit.*





Antari LCU-1 Liquid Control Unit

***Congratulations on the purchase of your new
ANTARI LCU-1 Liquid Control Unit.***

Introduction

Thank you for choosing an ANTARI Liquid Control Unit. You now own a rugged and powerful state-of-the-art machine. Prior to use, we suggest that you carefully read all of the instructions. By following the suggestions found in this user manual, you can look forward to the reliable and satisfactory performance of your ANTARI Liquid Control Unit for years to come.

Please follow these operation, safety and maintenance instructions to ensure a long and safe life for your Control Unit.

Cautions

Risk of electric shock. Disconnect the appliance from the electric supply before removing the cover. Note: there are no user serviceable parts inside.

Danger of electric shock

- ◆ Keep this device dry.
- ◆ For inside use only. Not designed for outside use.
- ◆ For the 110V models, use 3-prong grounded electrical outlet only. Prior to use take care to determine that the unit is installed at the rated voltage.
- ◆ Keep Liquid Control Unit upright.
- ◆ Turn off or unplug when not in use.
- ◆ This machine is not water- or splash-proof. If moisture, water, or fog liquid gets inside the housing, immediately unplug the unit and contact a service technician or your ANTARI dealer before using it again.
- ◆ No user serviceable parts inside. Refer to your ANTARI dealer or other qualified service personnel.

Danger of burns

- ◆ For adult use only. Liquid Control Unit must be installed out of the reach of children. Never leave the unit running unattended.
- ◆ Locate the fog machine in a well-ventilated area. In order to guarantee adequate ventilation, allow a free air space of at least 20 cm around the sides and top of the unit.
- ◆ Keep flammable materials at least 50 cm away from the Unit
- ◆ Always allow your ANTARI Liquid Control Unit to cool down before attempting to clean or service it.

Danger of explosion

- ◆ Never add flammable liquids of any kind (oil, gas, perfume) to the Liquid Control Unit.

Pay attention to all warning labels and instructions printed on the exterior of your ANTARI Liquid Control Unit

- ◆ Maximum pressure of the pump inside the machine is 7 BAR.
- ◆ Maximum fog output is 20,000 cubic feet/minute.
- ◆ Visibility during operation is reduced.
- ◆ Use only the high-quality, water-based fog liquid that your dealer recommends. Other fog liquids may cause clogging or “spitting”.
- ◆ Operating this unit without liquid will cause damage to the pump.
- ◆ If your ANTARI Liquid Control Unit fails to work properly, discontinue use immediately, pack the unit securely (preferably in the original packing material), and return it to your ANTARI dealer for service.

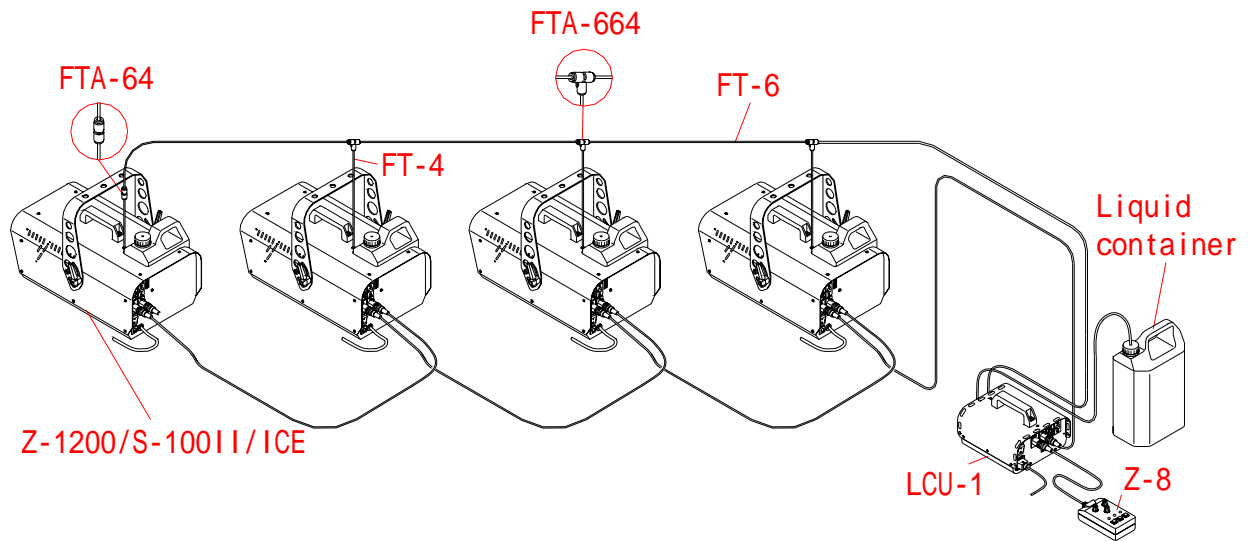
Unpacking & Inspection

Open the shipping carton and verify that all equipment necessary to operate the system has arrived intact. Refer to the “Features” section for information on what items are included with your model. If any equipment is missing contact your ANTARI dealer immediately.

Before beginning initial setup of your ANTARI Liquid Control Unit, make sure that there is no evident damage caused by transportation. In the event that the unit’s housing or cable is damaged, do not plug it in and do not attempt to use it until after contacting your ANTARI dealer for assistance.

Setup

- ◆ See connection diagram



- ◆ Remove all packing materials from shipping box. Check that all foam and plastic padding is removed.
- ◆ Place Liquid Control Unit on a flat surface.
- ◆ Put a Tank beside Liquid Control Unit and connect a 6mm PU tube between Tank & Liquid Input Adapter
- ◆ Connect 6mm PU tube from Liquid Output Adapter then extend this tube to four Z-1200 fog machine (S-100IIs / ICEs). Each terminal use FT-6 , FTA-64 and FTA-664 divide liquid flow direction.
- ◆ Firmly attach the remote control cable to the proper input on the rear of the machine.
- ◆ If you are connecting the machine to a DMX controller or in a daisy chain of DMX controlled devices ensure the various cables are connected to the proper socket on the back of the fog machine.

Operation

- ◆ Plug power cord into a grounded electrical outlet. If necessary, turn power switch on rear of unit to “ON” position.
- ◆ To extrude liquid, press the appropriate button on the remote for the desired length of time.
- ◆ For further information on operating your ANTARI Liquid Control Unit, refer to the Antari onboard, “Remote Control Operation”.
- ◆ For details regarding DMX, refer to the Antari onboard DMX fog machine settings section.

If you experience low output, pump noise or no output at all, unplug immediately. Check Tank fluid level, the external fuse, remote connection, and power from the wall. If all of the above appears to be O.K., plug the unit in again. If fluid does not come out after holding the remote button down for 30 seconds, check the tube attached to the tank to make sure there is fluid going through the tube. If you are unable to determine the cause of the problem, do not simply continue pushing the remote button, as this may damage the unit. Return the machine to your ANTARI dealer.

Cleaning your fog machine regularly will help reduce costly parts replacement and repair charges.

Maintenance

Do not allow the fog liquid to become contaminated. Always replace the caps on the fog liquid container and the fog machine liquid tank immediately after filling.

After every 40 hours of continuous operation, it is recommended to run a cleaning solution composed of 80% distilled water/20% white vinegar

through the system to prevent the accumulation of particulate matter in the tube. The recommended cleaning regimen is as follows:

1. While unit is unplugged and clean out debris with vinegar and a pipe cleaner, making sure that the tube is free of clogs.
2. Add cleaning solution to tank. Run unit in a open area until tank is empty.
3. Cleaning is now complete. Refill with fog liquid.

Clean with a dry cloth only.

Store dry.

Read and save these instructions

C08LCU1