

AIR-PLUS®



INSTRUCTION MANUAL

Do Not Return Your Compressor to the Store! Call 1-800-423-3598 For Help!

MANUEL D'INSTRUCTIONS

Ne Pas Retourner le Compresseur au Magasin ! Pour Toute Assistance, Appeler le 1-800-423-3598 !

MANUAL DE INSTRUCCIONES

¡No Deueulva su Compresor de Aire a la Tienda! ¡Llame al 1-800-423-3598 para Solicitar Ayuda!

10 **GALLON** **GALONES**

3.5 PEAK HP* / 3.5HP* EN POINTE / 3.5HP* DE PICO

***OIL LUBRICATED AIR
COMPRESSOR***

***COMPRESSEUR D'AIR
LUBRIFIÉ PAR HUILE***

***COMPRESOR DE AIRE
CON LUBRICACIÓN
DE ACEITE***



125
MAX PSI
PSI MÁX



Instruction Manual

It is the owner and/or operator's responsibility to study all WARNINGS, operating, and maintenance instructions contained on the product label and instruction manual prior to operation of this unit. The owner/operator shall retain product instructions for future reference.

The owner and/or operator is responsible for maintenance, maintaining all decals or warning labels and while in use, maintaining the unit in good working order. If the owner and/or operator is not fluent in English, Spanish, or French, the product warnings and instructions shall be read and discussed with the operator's native language by the purchaser/owner or his designee. Make sure that the operator comprehends its contents. Safety information shall be emphasized and understood prior to usage. The air compressor shall be inspected per the operating instructions.

Users of this air compressor must fully understand these instructions. Each person operating this air compressor must also be of sound mind and body and must not be under the influence of any substance that might impair their vision, dexterity, or judgment.

Protect yourself and others by observing all safety information.

Failure to comply with instructions could result in personal injury and/or property damage!

If you encounter any problems or difficulties, please contact our customer service department at:

1-800-423-3598

1-310-522-9008

1-310-522-9066 Fax

INTRODUCTION

This oil lubricated air compressor is designed for household use only and is not intended for commercial applications. It is well suited for do-it-yourselfers with a variety of home and automotive uses.

This instruction manual is intended for your benefit. Please read and follow the safety, installation, maintenance and troubleshooting steps described within to ensure your safety and satisfaction. The contents of this instruction manual are based upon the latest product information available at the time of publication. The manufacturer reserves the right to make product changes at any time without notice.

SAFETY ALERT

WARNING

READ AND UNDERSTAND THIS ENTIRE INSTRUCTION MANUAL BEFORE ATTEMPTING TO ASSEMBLE, INSTALL, OPERATE OR MAINTAIN THIS AIR COMPRESSOR. FAILURE TO COMPLY WITH THE INSTRUCTIONS MAY RESULT IN SERIOUS PERSONAL INJURY AND/OR PROPERTY DAMAGE!

THE FOLLOWING SIGNAL WORDS ARE USED TO EMPHASIZE SAFETY WARNINGS THAT MUST BE FOLLOWED WHEN USING THIS AIR COMPRESSOR:

⚠ DANGER

Indicates an imminently hazardous situation that, if not avoided, WILL result in death or serious injury.

⚠ WARNING

Indicates a potentially hazardous situation that, if not avoided, COULD result in death or serious injury.

⚠ CAUTION

Indicates a potentially hazardous situation that, if not avoided, MAY result in minor or moderate injury.

⚠ NOTICE

Indicates important information, which if not followed, MAY cause damage to equipment.

UNPACKING & INSPECTION

After opening the carton, unpack your new air compressor and related parts & accessories. Please inspect it carefully for any damage that may have occurred during transit. Please check it against the photograph on carton. If any parts are missing, please call factory customer service at 1-800-423-3598.

⚠ WARNING

DO NOT OPERATE THIS AIR COMPRESSOR IF DAMAGED DURING SHIPMENT, HANDLING OR MISUSE. DAMAGE MAY RESULT IN BURSTING, WHICH CAN CAUSE SERIOUS INJURY OR PROPERTY DAMAGE.

All damaged parts must be repaired or replaced as needed prior to operating this air compressor.

Check to see that all nuts, bolts and fittings are secure before putting this air compressor into service. If you have any questions, or require assistance with damaged or missing parts, please contact our factory customer service department at:

1-800-423-3598
1-310-522-9008
1-310-522-9066 Fax

Please have the serial number, model number, date of purchase, and parts list, (with missing parts identified), available for reference when calling.

MODEL NUMBER: 540025 SERIAL NUMBER: _____ DATE OF PURCHASE: _____

SAFETY WARNINGS

READ ALL SAFETY WARNINGS BEFORE USING AIR COMPRESSOR

General Safety Warnings:

Keep work area clean. Messy areas and cluttered workbenches invite personal injury, and/or property damage.

Keep children and visitors away. All children should be kept away from the work area. DO NOT let children handle the compressor or extension cord. Maintain a safe distance for any person near the work area.

Operating any tools or equipment under the influence of drugs, alcohol, or medication can cause personal injury to yourself and others.

Wear proper apparel. Remove your jewelry before using air compressor. Do not wear loose clothing, necklaces, rings, bracelets, or other jewelry, which may get caught in moving parts. Nonskid footwear and electrically conductive gloves are highly suggested while working. Wear protective hair covering to contain long hair.

Protect your eyes. The operation of any air compressor can result in foreign objects being thrown into the eyes, which can result in severe eye damage. Always wear eye protection that meets ANSI Z28.1 specifications during air compressor operation. Eyeglasses are not always safety glasses.

Be responsible for your hearing. Wear hearing protection during extended periods of operation.

Use the right tool. Use tools properly and for their intended task. Do not force a small tool to do the job of a heavy-duty tool. Using the right tool to do the right job will do the job intended safer.

Check damaged parts before use of any air tools or attachments, a guard or other part that is damage should be carefully checked to ensure that it would operate properly and perform its intended function. Check for misalignment or binding of moving parts, breakage of parts, mounting, or any other conditions that may affect tool operation. A guard or other part that is damage should be properly replaced. See replacement parts list for additional details.

Avoid unintentional starting. Be sure that your air compressor is in the off position before plugging it into a power cord or electrical receptacle.

Store all maintenance tools away from the immediate area before turning "on" your air compressor.

Do not overreach. Proper footing and balance is a must at all times while using tools. Unstable support may lead to personal injury. Do not stand on the tool. Serious injury could result if the tool tips over or you accidentally contact tool.

Never leave the air compressor running unattended. Always turn the power to the "off" position and do not leave the air compressor until it come to a complete stop.

When using air accessories consult the owner's manual provided by the manufacturer. The use of improper accessories may cause risk of injury to yourself and others.

Always make sure the tool is in the "off" position and unplugged from the electrical receptacle when making adjustments, changing parts or performing any maintenance.

Secure work. When possible, the use of clamps or holding device is much safer than holding the work piece with your hands.

Keep protective guards in place and in proper working condition.

Maintain tools and equipment with care. They will function better and safer when kept clean and in good working condition. Keeping the air compressor clean, dry, and free of grime will add to its life and performance.

Childproof the workshop. The use of master switches and padlocks is highly recommended. Remove starter keys where applicable.

⚠WARNING

Some dust created by spraying, blowing, power sanding, sawing, grinding, drilling and other construction activities contains chemicals known to the State of California to cause cancer, birth defects or other reproductive harm.

Reduce your exposure to these chemicals by wearing approved safety equipment such as dust masks that are designed to filter out microscopic particles.

⚠WARNING

Use of this product will expose you to chemicals known to the State of California to cause cancer, birth defects, and reproductive harm. **Avoid inhaling vapors and dust. Wash hands after using.**

⚠WARNING

This product contains chemicals, including lead, known to the State of California to cause cancer, birth defects, and reproductive harm. **Wash hands after handling.**

⚠ WARNING

DRAIN LIQUID FROM AIR TANK DAILY - Use the drain valve located on the bottom of the air tank to drain. Failure to properly drain liquid from the tank will cause rust from moisture buildup, which weakens the tank and could lead to a violent tank explosion. Periodically inspect the tanks for unsafe conditions such as corrosion, cracked welds, and leaks.

Release air slowly when draining moisture or depressurizing the air compressor. Fast moving air will stir up dust, dirt and debris that may be harmful.

⚠ WARNING

RISK OF FIRE OR EXPLOSION - Avoid dangerous environments. Do not spray combustible/flammable liquid in a confined area. Spray area must be well ventilated. Do not smoke while spraying or spray where spark or flame is present. Arcing parts - keep compressor at least 20' away from spraying area and all explosive vapors. Do not use compressor near gasoline or other flammable materials. Operate the air compressor in a well-ventilated area. Do not direct paint or other spray material towards the compressor. Read and follow all safety instructions for the material you are spraying. Be sure to use an approved respirator designed for use with your specific application.

⚠ WARNING

RISK OF INJURY - Do not direct air stream at body. Use eye protection. Compressor starts automatically. Do not touch MOVING PARTS. Keep guards in place. Compressor does not supply breathable air.

⚠ DANGER

RISK OF BURSTING - Do not adjust regulator to result in output pressure greater than marked maximum pressure of attachment. If a regulator has not been installed, use only attachment rated at 200 PSI or higher. Do not weld on or repair tank - A DAMAGED TANK MUST BE REPLACED IMMEDIATELY. Do not operate without proper safety valve in place.

Never attempt to repair or make modifications to the tank or its attachments. Welding, drilling or any other modifications may weaken the tank, which may result in damage from rupture or explosion. Never remove or attempt to adjust the pressure switch, safety valve, or other components that control tank pressure. Never substitute parts or attempt to alter the factory set operating pressures.

⚠ DANGER

RISK OF ELECTRICAL SHOCK - Disconnect AIR COMPRESSOR from power source before servicing. USE PROPERLY grounded ELECTRICAL CONNECTIONS - Do not use grounding adaptors. Do not use in wet or damp locations or expose to rain. Keep all connections dry and off the ground. Do not allow power cords to come into contact with water. Do not touch the plug with wet hands. Do not pull on the electrical cord to disconnect from the power outlet. Store air compressor indoors when not in use. Any electrical wiring or repairs performed on this air compressor should be done by authorized service personal in accordance with national and local electrical codes.

⚠ WARNING

RISK TO BREATHING - This air compressor is not designed, nor intended for the supply of breathable quality air. Air produced by this unit may contain carbon monoxide or other toxic vapors. Do not inhale air from the compressor or from a breathing device connected to it.

Operate the air compressor in a well-ventilated area. Read and follow all safety instructions for the material you are spraying. Be sure to use an approved respirator designed for use with your specific application.

⚠ CAUTION

RISK OF BURNS - Keep hands and fingers away from exposed metal parts on a running air compressor. Air compressors generate significant heat during normal operation, which can cause serious burns. The compressor will remain hot for some time after operation and should not be touched or moved until cool.

⚠️ WARNING

RISK OF FLYING OBJECTS - Do not direct compressed air stream at people or pets. The powerful compressed air stream can damage exposed skin and easily propel loose dirt and other small objects at high-speed, resulting in serious injury. Always wear eye protection that meets ANSI Z28.1 specifications. Use only OSHA approved air blowguns. Never leave a pressurized air compressor unattended. Shut off air compressor and relieve pressure before performing maintenance or repairs. Do not move the air compressor while the air tank is pressurized. Never attempt to move the air compressor by pulling on the air hose.

⚠️ WARNING

RISK OF FALLING - Portable air compressors can fall from a table, workbench or roof causing damage to the compressor and could result in serious injury or death to the operator. Always operate air compressor in a stable and secure position to prevent accidental movement of the unit. Never operate air compressor on a roof or other elevated position. Use additional air hose to reach high locations.

⚠️ WARNING

RISK OF PROPERTY DAMAGE WHEN TRANSPORTING COMPRESSOR - Oil can leak or spill and could result in fire or breathing hazard, serious injury or death can result. Oil leaks will damage carpet, paint, or other surfaces in vehicles or trailers.

⚠️ WARNING

AIR TOOLS AND ACCESSORIES - Do not exceed the pressure rating of any air tools, spray guns, air accessories, or inflatables. Excess pressure can cause them to explode, resulting in serious injury. Follow the manufacturers recommended pressure settings for all air tools and air accessories.

SPECIFICATIONS

- 3.5 Peak HP
- 10 Gallon Air Tank
- Oil Lubricated Direct Drive Pump
- Cast-iron Cylinder
- Maximum Pressure: 125 PSI
- Power: 115V, 60 Hz, 15 Amps
- Air Delivery: 4.7 SCFM output @ 40 PSI / 3.0 SCFM output @ 90 PSI
- Duty Cycle: 50%
- Thermal Overload Protection for Safety
- High Flow Regulator for Precision Air Flow Control
- Dual Pressure Gauges
- Weight: 84 lbs. (38 kg)

Duty Cycle:

Duty cycle refers to the percentage of time a compressor can safely run within a given amount of time expressed as a ratio. Oil lubricated compressors are typically rated at a 50% duty cycle, meaning that the compressor motor can run about 50% of the total time it is being used to supply air to a tool. During the “on” time, the motor is running to pressurize the tank. During the “off” time, the motor is stopped and the tools are running off on the pressurized air stored in the tank. If your air tools are draining pressure off of the tank too quickly, the compressor motor must run more than 50% of the time the compressor is in use. This can lead to overheating and will significantly shorten the life of the compressor.

INSTALLATION AND LOCATION

The compressor must be used on a stable level surface. The air compressor must be used in a clean and well-ventilated area. The compressor requires an unobstructed airflow and must be located a minimum of 20 inches from any walls or other obstructions.

GROUNDING INSTRUCTIONS

This product should be grounded. In the event of an electrical short circuit, grounding reduces the risk of electric shock by providing an escape wire for the electric current. This product is equipped with a cord having a grounding wire with an appropriate grounding plug. The plug must be plugged into an outlet that is properly installed and grounded in accordance with all local codes and ordinances.

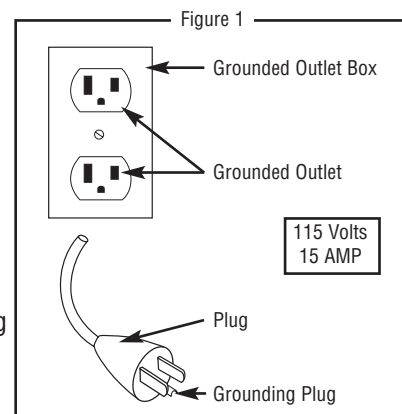
⚠ DANGER

Improper installation of the grounding plug can result in a risk of electric shock. If repair or replacement of the cord is necessary, do not connect the grounding wire to either flat blade terminal. The wire with insulation having an outer surface that is green with or without yellow stripes is the grounding wire.

This product is for use on a nominal 120-volt circuit and has a three-prong grounding plug that looks like the plug illustrated in Figure 1. Make sure that the product is connected to an outlet having the same configuration as the plug. No adapter could be used with this product.

The use of a GFCI outlet is strongly recommended. The third prong is to be used to ground the tool and provide protection against electrical shock. Never remove the third prong.

Check with a qualified electrician or serviceman if the grounding instructions are not completely understood, or if in doubt as to whether the product is properly grounded. Do not modify the plug provided; if it will not fit the outlet, have the proper outlet installed by a qualified electrician.



⚠ CAUTION

Extension Cords - Alltrade does not recommend the use on an extension cord with this product as this may result in the loss of power and overheating of the motor. An additional air hose should be used instead of an extension cord.

However, if the use of an extension cord is unavoidable, use only UL listed three wire extension cords that have three-pronged ground-type plugs and three prong receptacles that accept the tool's plug. Improper use of extension cords may cause inefficient operation of your tool, which can result in overheating. Be sure your extension cord is rated to allow sufficient flow to motor. Refer to the guide below for minimum gauge required for extension cords.

Extension Cord Length	Wire Size (A.W.C.)
Up to 25 Feet	14
26 to 50 Feet	12
51 to 100 Feet	10

Use of an extension cord rated to carry the current the tool will draw is very important, especially when the power source is at great distance. An extension cord of insufficient rating will cause a drop in line voltage, resulting in power loss and causing the motor to overheat.

Guard against electrical shock. Avoid body contact with grounded services such as pipes, radiators, ovens, stoves, and refrigerator enclosures. If not properly grounded, this power tool can incur the potential hazard of light trickle shock, particularly when used in damp locations. If an electrical shock occurs, there is the potential of a secondary hazard such as your hands contacting an operating air tool.

COMPRESSOR FEATURES

- 1. Oil Lubrication:** Oil lubricated direct drive pump with cast-iron cylinder for durability.
- 2. OIL FILL SIGHT GLASS:** Located on the face of the crankcase, the oil fill sight glass provides a convenient way to check the oil fill level within the pump. The oil level must be checked prior to each use to ensure proper fill level.

⚠ WARNING

DO NOT OPERATE THE COMPRESSOR WITHOUT LUBRICANT, OR WITH LOW LUBRICATION LEVEL. ALLTRADE IS NOT RESPONSIBLE FOR DAMAGE CAUSED TO THE COMPRESSOR DUE TO OPERATION WITHOUT PROPER LUBRICATION.

- 3. AUTOMATIC ON/OFF PRESSURE SWITCH:** This compressor is equipped with an automatic on/off pressure switch. The compressor will only run when the switch is in the "I" (ON) position. Once the tank has reached the desired preset pressure ("cut-out" pressure), the pump motor will automatically shut off. While the switch is in the "I" (ON) position, the pump motor will automatically turn back on once the pressure in the tank drops below the minimum preset pressure ("cut-in" pressure).

⚠ WARNING

DO NOT LEAVE THE COMPRESSOR UNATTENDED WHILE THE POWER SWITCH IS IN THE "I" (ON) POSITION.

- 4. AIR TANK PRESSURE GAUGE:** The tank pressure gauge provides a reading of the air pressure inside of the compressor tank.
- 5. PRESSURE REGULATOR:** The regulator allows you to select the amount of air pressure that is output through the air hose into tools and accessories. Turn the pressure regulator knob clockwise to increase discharge pressure, and counter clockwise to decrease discharge pressure. Please refer to the air delivery requirements of your tools for the proper pressure settings. **NOTICE: Be careful not to over tighten pressure regulator knob when it "bottoms out" as this may damage pressure regulator.**
- 6. OUTLET PRESSURE GAUGE:** The outlet pressure gauge provides a reading of the air pressure at the outlet side of the regulator. This pressure is controlled by the pressure regulator and is always less than or equal to the air tank pressure.
- 7. AIR OUTLET PORT:** The air outlet port is located on the pressure regulator body. This port is threaded to accommodate standard 1/4" NPT (M) air fittings found on air hoses and quick connectors. Use PTFE thread-sealing tape on the threads to make sure you have an airtight connection.
- 8. SAFETY RELIEF VALVE:** This compressor is equipped with a safety relief valve that is designed to prevent system failures by relieving pressure from the system when the air pressure reaches a predetermined level. The safety relieve valve is preset by the manufacturer - DO NOT attempt to modify or remove the safety relief valve.
- 9. AIR TANK DRAIN VALVE:** Moisture is produced whenever air is compressed. It is critical to drain water from the air tank on this compressor frequently. If unit is used only occasionally, tank should be drained after each use and prior to the next use. To drain the tank, slowly open the tank drain fitting by turning clockwise. Once all moisture has drained out, close the fitting securely. **NOTE:** Air tank will not pressurize while drain valve is open.
- 10. AIR INTAKE FILTER:** This compressor is equipped with an externally accessible air intake filter that is designed to clean air coming into the pump. The filter element is easily removed for periodic cleaning with warm soapy water. Rinse the filter and air dry before reinstalling. Replace filter element when necessary. **NOTICE: Remove air inlet dust plug and install air filter as indicated in assembly instructions before using air compressor.**
- 11. THERMAL SHUTDOWN SWITCH:** The electric motor is equipped with an automatic thermal overload protector. If the unit is overheating, the motor will automatically shut down. Turn the unit off and allow the unit to cool for approximately 20 minutes before turning the unit back to the "I" (ON) position. **NOTICE:** This air compressor is designed for household use only and is not intended to operate heavy-duty air tools. If your application's demands exceed the capacity of this air compressor, a larger air compressor that is matched to your application is recommended. If the unit shuts down again, please call factory customer service at 1-800-423-3598 for assistance.
- 12. HANDLE:** Convenient handle for easy transport.
- 13. WHEELS:** Large diameter wheels for easy mobility.

ASSEMBLY INSTRUCTIONS

STEP 1 - INSTALLING WHEELS AND RUBBER FEET

⚠ WARNING

THE WHEELS AND HANDLE DO NOT PROVIDE ADEQUATE CLEARANCE, STABILITY OR SUPPORT FOR PULLING THE UNIT UP AND DOWN STAIRS OR STEPS. THE UNIT MUST BE LIFTED, OR PUSHED UP A RAMP.

⚠ CAUTION

IT MAY BE NECESSARY TO BRACE OR SUPPORT ONE END OF THE AIR COMPRESSOR WHEN ATTACHING THE WHEELS AND THE RUBBER FEET, BECAUSE THE AIR COMPRESSOR WILL HAVE A TENDENCY TO TIP.

Installing Wheels:

The wheels must be installed prior to operating the compressor.

1. Insert supplied wheel bolt through hole in center of wheel.
2. Place the end of the bolt on the wheel subassembly through the corresponding hole in the wheel ground iron located on the base of the air tank.
3. Slide lock washer over end of wheel bolt.
4. Fasten the wheel in place by threading supplied nut onto the wheel bolt.
5. Repeat steps 1 through 4 above to install second wheel.



To Install Rubber Feet:

1. Slide washer over screw and insert into cup shaped end of rubber foot pad.
2. Insert exposed end of bolt into corresponding hole in ground iron.
3. Place washer over the end of the screw.
4. Fasten the rubber foot in place by threading nut onto the end of the mounting screw.
5. Repeat steps 1 through 4 above to install second rubber foot pad.



STEP 2 - INSTALLING HANDLE

To Install Handle:

The horizontal handle receivers are installed at the factory and are permanently attached to the air tank.

1. Slide foam grip so that it is centered over end of horizontal handle cross-piece.
2. Position the horizontal handle crosspiece over the tops of the handle receivers, lining up the openings in the crosspiece pipe with the openings of the handle receiver tubes.
3. Slide the crosspiece ends into the handle receiver tubes and secure in place using the four (4) bolts supplied.



STEP 3 - INSTALLING AIR FILTER

To Install Air Filter:

1. Remove air inlet dust plug from pump cylinder head using long nose pliers.
2. Insert threaded end of air filter into air inlet and hand tighten.



⚠ WARNING

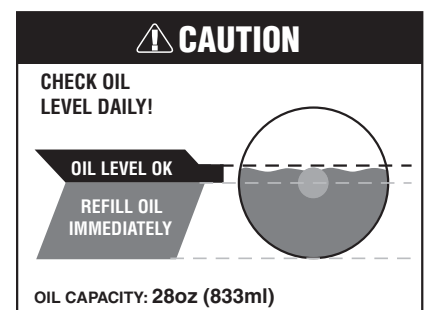
THE COMPRESSOR IS SHIPPED WITHOUT OIL IN THE CRANKCASE. ADD OIL AS INDICATED BELOW.

STEP 4 - PUMP LUBRICATION

This air compressor features an oil lubricated pump that requires the use of **SAE 30 weight non-detergent air compressor oil**.

Adding Compressor Oil:

1. Place air compressor on a flat, level surface.
2. Remove red plastic oil fill breather plug.
3. Open supplied oil bottle and pour oil into crankcase until the oil level reaches the top of the red circle in the oil level sight glass. **Be careful not to overfill.**
4. **See diagram for determining proper oil fill level using oil fill sight glass.**
5. Re-install supplied red plastic oil fill breather plug securely into oil fill hole.



⚠ WARNING

DO NOT OPERATE THE COMPRESSOR WITHOUT LUBRICANT, OR WITH LOW LUBRICATION LEVEL. ALLTRADE IS NOT RESPONSIBLE FOR DAMAGE CAUSED TO THE COMPRESSOR DUE TO OPERATION WITHOUT PROPER LUBRICATION.

STEP 5 - INSPECTION CHECK

Assembly Check:

In order to complete the assembly of your new air compressor, a careful inspection should be made to ensure that all of the parts are properly aligned and securely fastened.

1. Inspect wheels to ensure that they are properly mounted and secured to ground irons.
2. Inspect rubber feet to ensure that they are properly mounted and secured to ground iron.
3. Inspect handle crosspiece to ensure that it is fully secured.
4. Inspect air filter to ensure that it is installed and secure.
5. Check oil fill level in crankcase.

OPERATION

INITIAL SETUP / BREAK-IN PROCEDURE

⚠ CAUTION

Do not attach air hose, air tools or other air accessories to the air outlet until break-in procedure has been successfully completed.

1. Read and understand the entire instruction manual, including all safety warnings before setting up air compressor.
2. Place air compressor on a flat, level surface.
3. Check oil fill level in crankcase and add oil as needed.
4. Turn the pressure regulator knob fully clockwise to open airflow from air outlet port. **NOTICE: Be careful not to over tighten pressure regulator knob when it “bottoms out” as this may damage pressure regulator.**
5. Turn the power switch to the OFF position.
6. Plug power cord directly into a properly grounded power source of the correct voltage (see Grounding Instructions on page 7 of this instruction manual).
7. Open the tank drain valve to allow air to escape preventing air pressure buildup in the air tank.
8. Turn the compressor on by moving the switch to the AUTO/ON position and run the air compressor for a period of 20 minutes to break-in the air pump.
9. With the compressor still running, at the end of the 20-minute break-in period, close the tank drain valve. The air compressor will build air pressure to the maximum preset pressure (“cut-out” pressure) and automatically shut off.
10. Slowly turn the tank drain valve to open airflow from drain and bleed off air from the air tank. The air compressor will automatically restart once the pressure in the air tank drops below the minimum preset pressure (“cut-in” pressure).
11. Turn the compressor off by moving the switch to the OFF position.
12. Release pressure from the system. Drain moisture from the air tank by slowly opening the air tank drain valve by turning clockwise. Tilt tank to remove all moisture. Once all the moisture has drained out, close the fitting securely. **NOTE: Air tank will not pressurize while drain valve is open.**
13. Disconnect the power cord from the power outlet. **NOTE: Make sure the power switch is in the OFF position when connecting or disconnecting power cord from electrical outlet.**
14. Attach the supplied recoil air hose to the air outlet port located on the air compressor regulator valve. Use PTFE thread-sealing tape on the threads to make sure you have an airtight connection. Do not over tighten fittings.
15. Attach quick connect coupler to the remaining end of the recoil air hose. Again, use PTFE thread-sealing tape on the threads to make sure you have an airtight connection.
16. Attach any remaining air accessories required by your application.
17. Your new air compressor is now ready to use.

STARTUP:

1. Before each startup, make sure the power switch is in the OFF position.
2. Place air compressor on a flat, level surface.
3. Check oil fill level in crankcase and add oil as needed.
4. Release pressure from the system. Drain moisture from the air tank by slowly opening the air tank drain valve by turning clockwise. Once all the moisture has drained out, close the fitting securely. **NOTE: Air tank will not pressurize while drain valve is open.**
5. Turn the pressure regulator knob fully counterclockwise to close airflow from air outlet port.
6. Attach air hose and accessories

⚠ WARNING

TOO MUCH AIR PRESSURE CAUSES A HAZARDOUS RISK OF BURSTING. CHECK THE MANUFACTURER'S MAXIMUM PRESSURE RATING FOR AIR TOOLS AND ACCESSORIES. THE REGULATOR OUTLET PRESSURE MUST NEVER EXCEED THE MAXIMUM PRESSURE RATING.

7. Before connecting the compressor to the grounded outlet, check oil level, check for broken components and accessories, and check for damage to the hose.
8. Plug power cord directly into a properly grounded power source of the correct voltage (see Grounding Instructions on page 7 of this instruction manual).
9. Turn the compressor on by moving the switch to the AUTO/ON position and allow the tank pressure to build. Once the air pressure reaches the maximum preset pressure ("cut-out" pressure) it will automatically shut off.
10. Slowly turn the pressure regulator knob clockwise to open airflow from air outlet port until desired output pressure is reached.
NOTE: The air compressor will automatically restart once the pressure in the air tank drops below the minimum preset pressure ("cut-in" pressure).

SHUTDOWN:

NOTE: NEVER stop the air compressor by unplugging it from the power outlet as this may result in damage to the compressor.

1. Turn the switch to the OFF position
2. Disconnect the power cord from the power outlet.
3. Turn the pressure regulator knob fully counterclockwise to close airflow from air outlet port. Check the outlet pressure gauge to ensure that it reads 0 PSI.
4. Remove the air hose and any air accessories.
5. Drain moisture from the air tank by slowly opening the air tank drain valve by turning clockwise. Tilt tank to remove all moisture. Once all the moisture has drained out, close the fitting securely.
6. Allow the compressor to cool down.
7. Wipe the air compressor clean and store it in a clean, dry, and non-freezing location.

MAINTENANCE

⚠ WARNING

DISCONNECT AIR COMPRESSOR FROM POWER SOURCE AND BLEED OFF ALL AIR PRESSURE BEFORE ATTEMPTING ANY MAINTENANCE OR REPAIR.

When performing any maintenance or service:

1. The air compressor must be turned off.
2. Disconnect compressor from the power source.
3. Open tank drain to bleed off all air pressure before attempting any maintenance or repair.
4. Allow compressor to fully cool before attempting any maintenance or repair.

Check the air compressor frequently for any visible problems and follow maintenance procedures each time the compressor is used.

⚠ NOTICE

All air compressors contain maintenance parts that require periodic replacement. These used parts, including air filters and used lubricating oil, may contain regulated substances that must be disposed of in accordance with local, state, and federal laws and regulations.

1. Turn compressor off and release pressure from the system. Drain moisture from the air tank by slowly opening the air tank drain valve by turning clockwise. Tilt tank to remove all moisture. Once all the moisture has drained out, close the fitting securely.
2. Wipe the compressor clean.

Maintenance Checklist:

Daily:

- Check oil level.
- Drain accumulated liquid from tank.

Check for oil leaks.
Check for unusual noise and/or vibrations
Check that all fasteners are secure.
Check for air leaks+.
Wipe compressor clean.

Weekly:

Inspect and clean air filter.
Clean breather holes on oil fill plug.

Monthly:

Check for air leaks.
Check safety relief valve.

Six months or 200 operating hours*:

Change compressor oil. Use only SAE 30 weight non-detergent air compressor oil.
Replace oil more frequently when used in dusty operating environments.

* **The pump oil must be changed after the first 20 hours of operation.** Thereafter, change oil every 200 hours of operation or every six months, whichever comes first. In harsh operating conditions, maintenance must be performed more frequently.

+ Apply a solution of soapy water around joints. Look for air bubbles around joints when compressor reaches the pressure cut-out limit and the pump turns off.

Oil change:

Used lubricating oil, may contain regulated substances that must be disposed of in accordance with local, state, and federal laws and regulations.

1. The air compressor must be turned OFF.
2. Allow compressor to fully cool before attempting any maintenance or repair.
3. Place a suitable oil drain pan below oil drain plug.
4. Remove oil fill plug to allow air to enter crankcase.
5. Remove oil drain plug.
6. Allow oil to drain completely. Tilt air compressor towards the oil drain to assist draining.
7. Clean and replace oil drain plug.
8. Refill crankcase with SAE 30 weight non-detergent air compressor oil until the oil level reaches the top of the red circle in the oil level sight glass. **Be careful not to overfill.**
9. Reinstall the oil fill plug.

Checking Safety Relief Valve:

⚠ WARNING

SAFETY VALVE MUST BE REPLACED IF IT CANNOT BE ACTUATED OR IT LEAKS AIR AFTER THE RING IS RELEASED.

1. The air compressor must be turned OFF.
2. Disconnect compressor from the power source.
3. Open tank drain to bleed off all air pressure before attempting any maintenance or repair.
4. Allow compressor to fully cool before attempting any maintenance or repair.
5. Grasp the wire ring on the safety valve.
6. Pull and release the ring a few times to ensure that the plunger moves in and out. Replace the safety valve if plunger does not move or is difficult to move.

Checking Air Filter Element:

1. The air compressor must be turned OFF.
2. Disconnect compressor from the power source.
3. Open tank drain to bleed off all air pressure before attempting any maintenance or repair.
4. Allow compressor to fully cool before attempting any maintenance or repair.
5. Unscrew the filter, which is accessible from the rear of the air compressor, from the pump head by turning counter clockwise.
6. Remove the face of the filter body to access the filter element.

7. Clean filter element with warm soapy water. Rinse the filter and air dry before reinstalling. Replace filter element if it cannot be cleaned sufficiently.
8. Reinsert filter element into filter body and reinstall filter faceplate.
9. Screw the filter body into pump head by turning clockwise until the filter is hand tight. **DO NOT OVERTIGHTEN.**

MOISTURE IN COMPRESSED AIR

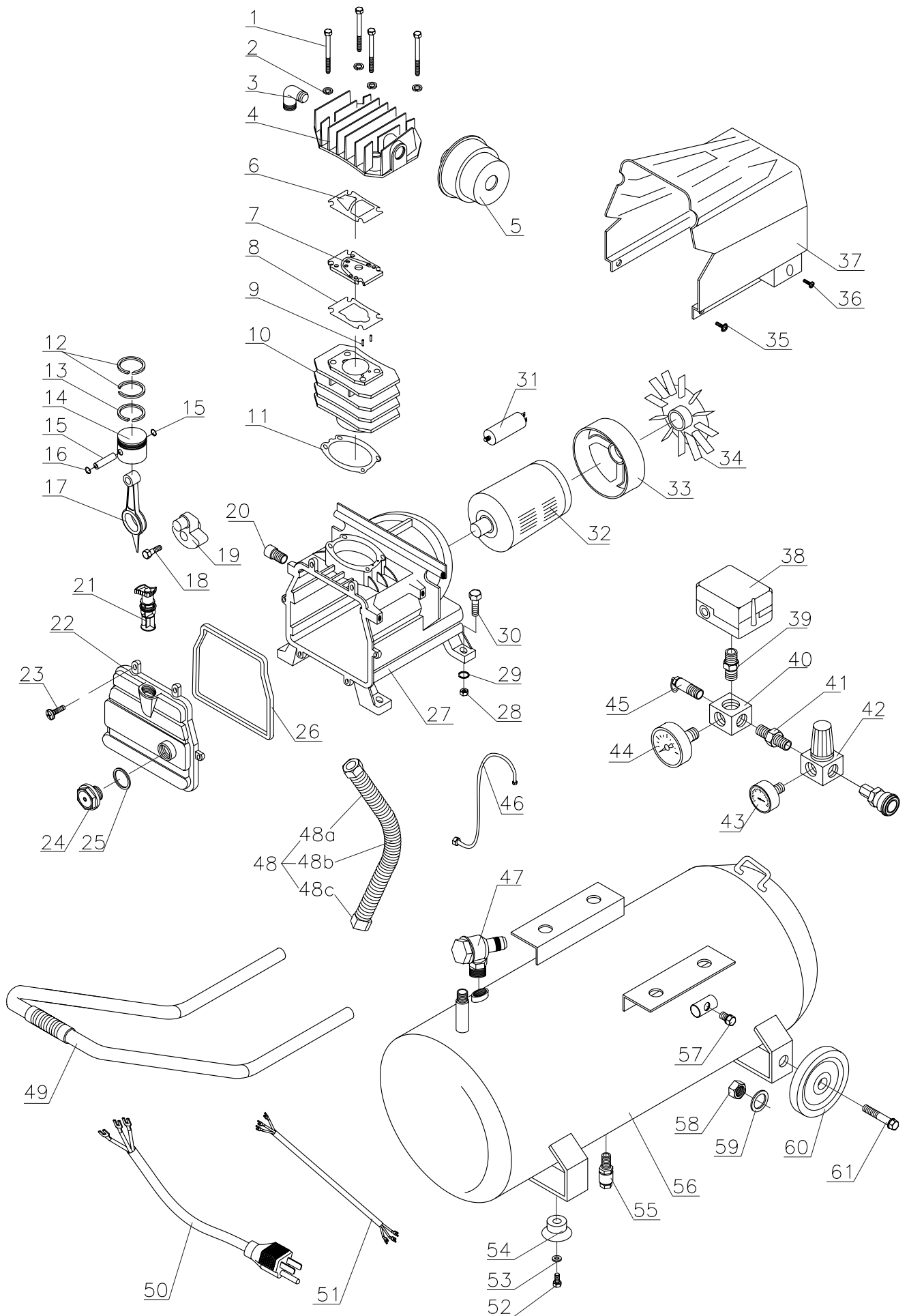
Moisture is a normal by-product of compressing air. As the moisture builds during compressor use, it can be carried though the air hose. When using a paint spray gun or sandblasting gun, the use of a special filter to remove moisture from the air line is highly recommended. Moisture in the compressed air will cause water spots in paint jobs and cause blasting media to clog the sandblasting gun.

TROUBLESHOOTING GUIDE

Problem Encountered	Possible Cause	Possible Solution
The compressor does not start or restart:	Power cord not plugged in.	Plug cord into grounded outlet.
	Motor/Pressure switch in "OFF" position	Move switch to "AUTO" position.
	Motor thermal overload switch has tripped.	Turn air compressor off, wait until the motor is cool, then press motor thermal overload (red) button firmly until click is heard.
	Fuse blown or circuit breaker has tripped.	Replace fuse or reset circuit breaker. Check for proper fuse amperage. Check for low voltage conditions. Disconnect any other electrical appliances from circuit or operate air compressor on its own branch circuit.
	Wrong gauge wire or length of extension cord.	Check chart in instruction manual for proper gauge wire and cord length.
	Air tank pressure exceeds motor/pressure switch "cut-in" pressure.	Motor will start automatically when air tank pressure drops below "cut-in" pressure of motor/pressure switch.
	Pressure release valve on motor/pressure switch has not unloaded pump head pressure.	Bleed the line by moving the switch to the "OFF" position.
	Defective motor, motor capacitor, motor/pressure switch.	Contact Factory Customer Service at 1-800-423-3598.
The compressor motor stalls:	Overloaded motor.	Have a certified electrician check the motor and wiring, then proceed with his or her recommendations.
	Improper lubrication.	See LUBRICATION section in instruction manual.
	Low oil level.	Check oil level and fill if necessary.
	Defective check valve.	Replace check valve.
Excessively noisy operation:	Loose motor pulley or pump flywheel.	Tighten pulley and/or flywheel (where applicable).
	Lack of oil in the pump crankcase.	Check oil level. If low, check for possible bearing damage. Add correct amount of oil.
	Carbon deposits on pistons or valves.	Remove cylinder head and inspect. Clean or replace parts as needed.
	Bearing, piston or connecting rod failure.	STOP THE COMPRESSOR! Contact Factory Customer Service at 1-800-423-3598.
	Worn connecting rod.	Replace with new connecting rod.
	Worn piston wrist pin bushing.	Remove piston/connecting rod assembly from the compressor and inspect for excess wear. Replace worn parts as needed.
	Worn bearings.	Replace worn bearings as needed. Note: Dirty oil can cause accelerated wear. Change oil frequently using recommended oil.
	Noisy check valve.	Replace check valve.

Problem Encountered	Possible Cause	Possible Solution
When in the Start/Stop option, motor runs continuously:	Motor/Pressure switch does not shut off motor when air compressor reaches "cut-out" pressure and safety relief valve activates.	Move the motor/pressure switch to the "OFF" position. If the motor does not shut off, unplug the air compressor. If the electrical contacts are welded together, replace the pressure switch.
	Air compressor is incorrectly sized.	Limit the air pressure to the capacity of the air compressor. Either use a smaller tool or a larger air compressor.
Overheating:	Poor ventilation.	Relocate the air compressor to an area with an ample supply of cool, dry, and well-circulated air is available.
	Dirty cooling fins.	Clean the outer surfaces of the cooling fins on the pump and motor assembly.
Air continues to leak at motor/pressure switch release valve after motor stops:	Defective pilot valve, the check valve is stuck open.	Remove, clean or replace.
Air continues to leak at motor/pressure switch release valve while motor is running:	Defective motor/pressure switch. Check valve stuck in open position.	Replace. Replace check valve. DANGER - Do not disassemble the check valve with tank pressurized. Open tank pet-cock valve to allow air to escape from tank prior to servicing.
Air leaks from safety relief valve:	Possible defective safety relief valve.	Operate safety relief valve manually by pulling on ring. If it still leaks, it should be replaced.
	Excessive tank pressure.	Defective motor/pressure switch. Replace.
Air leaks at pump:	Blown gaskets.	Replace blown gaskets and torque head bolts to 20 ft./lbs. CAUTION - Replace head gasket with a new one each time the head is removed to ensure proper sealing.
Air leaks at fittings:	Fittings are not tight enough.	Tighten fittings where air can be heard escaping. Check fittings with soapy water solution. DO NOT OVERTIGHTEN.
Air leaks in air tank:	Defective or rusted air tank.	Air tank must be replaced. DO NOT ATTEMPT TO REPAIR AIR TANK!
Air blowing from inlet filter:	Damaged inlet (reed) valve.	Contact Factory Customer Service at 1-800-423-3598.

Problem Encountered	Possible Cause	Possible Solution
Insufficient pressure at air tool or air accessory:	Pressure regulator knob is not turned to high enough pressure.	Adjust pressure regulator knob to proper setting.
	Defective motor/pressure regulator switch.	Replace.
	Restricted air intake filter.	Clean or replace the filter element.
	Air leaks.	Check for leaks by applying soap solution to all fittings and connections. Bubbles will appear at leakage points. Tighten or replace leaking fittings or connections as needed.
	Hose or hose connections are too small or long.	Replace with larger hose or connectors.
	Air compressor is not large enough for air requirement.	Check the accessory air requirement. If it is higher than the CFM or pressure supply of the air compressor, you need a larger air compressor.
Air compressor not making enough air:	Restricted air intake filter.	Clean or replace the filter element.
	Leaking (reed) valve.	Drain air tank and measure pump up time. Compare to specifications. If lower, remove pump head and inspect valve plate, valve seats, and valve reeds. Clean or replace as needed.
	Restricted pilot valve.	Clean or replace.
	Low compression.	Low pressure may be due to worn piston rings and cylinder walls. Inspect for excessive wear and replace worn parts as needed.
Excessive oil consumption:	Restricted air intake filter.	Clean or replace air filter element.
	Air compressor on unlevel surface.	Do not incline the air compressor more than 10 degrees in any direction while running.
	Crankcase overfilled with oil.	Drain oil. Refill to proper level with 30 weight non-detergent air compressor oil.
	Plugged oil dipstick vent.	Clean and check breather for proper ventilation.
	Oil leaks.	Repair.
	Worn piston rings or scored cylinder.	Replace worn or damaged parts as needed.
	Improper oil viscosity.	Drain oil. Refill to proper level with 30 weight non-detergent air compressor oil.
Oil has milky appearance:	Water in oil due to condensation.	Change oil and move air compressor to a less humid environment.
Moisture in discharge air:	Condensation in air tank caused by high level of atmospheric humidity or air compressor is not running long enough.	Drain tank after every use. Drain air tank more often in humid weather and use an air line filter.



PARTS LIST / LISTE DE PIÈCES / LISTA DE PIEZAS

No.	Part #. / No. de Réf No. de Parte	DESCRIPTION / DESIGNATION / DESCRIPCIÓN	Qty. / Qté Ctdad.
-----	--------------------------------------	---	----------------------

1	60118100	Head Bolt M8 x 1.25 x 100 SHCS	Boulon à tête M8 x 1,25 x 100 SHCS	Perno de la culata M8 x 1.25 x 100 SHCS	4
2	60018	Lock Washer 8	Rondelle Frein 8	Contratuerca 8	4
3	50051238	Exhaust Elbow	Coude d'échappement	Codo del escape	1
4	5101BA20	Cylinder Head	Culasse	Culata del cilindro	1
5	504012H	Air Filter	Filtre à air	Filtro de aire	1
6	5102BA20	Cylinder Head Gasket	Joint de culasse	Empaquetadura, culata del cilindro	1
7	510348	Valve Seat	Siège de soupape	Asiento de la válvula	1
8	5107BA20	Cyliner Top Gasket	Joint de haut de cylindre	Empaquetadura superior del cilindro	1
9	6004306	Pin - Dia. 3 x 6	Goupille -Ø 3 x 6	Pasador - Diám. 3 x 6	2
10	52014840	Cylinder	Cylindre	Cilindro	2
11	5214BA20	Cyliner Base Gasket	Joint de base du cylindre	Empaquetadura, base del cilindro	1
12	520348	Compressor Ring	Anneau de compression	Anillo compresor	1
13	520448	Oil Ring	Segment racler	Anillo de aceite	1
14	520248	Piston	Piston	Pistón	1
15	52071239	Piston Pin	Axe de piston	Pasador del pistón	1
16	601812	Pin - Dia. 12	Goupille - Ø 3 x 6 12	Pasador - Diám. 12	2
17	5206BA20	Connecting Rod	Bielle	Biela	1
18	6011822	Hex Bolt	Boulon	Perno hexagonal	1
19	5308BA20	Crank Shaft	Vilebrequin	Cárter	1
20	53181215	Oil Drain Plug	Bouchon de vidange	Tapón de drenaje del aceite	1
21	533322	Oil Fill Breather Plug	Reniflard du réservoir d'huile	Tapón respiradero, llenado de aceite	1
22	5309BA20	Crankcase Cover	Couvercle de carter	Tapa del cárter	1
23	6021515	Crankcase Cover Screw	Vis de couvercle de carter	Tornillo, tapa del cárter	6
24	532034	Oil Sight Glass	Voyant d'huile	Mirilla del aceite	1
25	532134	Oil Sight Glass Seal	Joint du voyant d'huile	Sello, mirilla del aceite	1
26	5311BA20	Rubber Crankcase Cover Seal	Joint de couvercle de carter	Sello de caucho, tapa del cárter	1
27	5301BA20	Crankcase	Carter moteur	Cárter	1
28	60068	Hex Nut	Écrou Six Pans	Tuerca hexagonal	4
29	60018	Spring Washer 8	Rondelle élastique 8	Arandela de resorte 8	4
30	6011830	Hex Bolt	Boulon	Perno hexagonal	4
31	4.016E+09	Capacitor	Condensateur	Capacitor	1
32	4M0902245B	Electric Motor	Moteur électrique	Motor eléctrico	1
33	4032BA20	Electric Motor Back Cover	Couvercle arrière du moteur électrique	Tapa trasera, motor eléctrico	1
34	401914158B	Motor Fan	Ventilateur du moteur	Ventilador del motor	1
35	6021510A	Screw	Vis	Tornillo	2
36	6028410	Screw, M4 x 0.7 x 10	Vis, M4 x 0,7 x 10	Tornillo, M4 x 0.7 x 10	2
37	2012BA2025	Motor Shroud	Enveloppe du moteur	Aro de refuerzo del motor	1
38	3004011	Pressure Switch	Pressiostat	Interruptor de presión	1
39	203314B	Nipple	Raccord	Niple	1

No. Parts No. / No. de Réf
No. de Parte

DESCRIPTION / DESIGNATION / DESCRIPCIÓN

Qty. / Qté
Ctdad.

40	30011414	Manifold	Collecteur	Múltiple	1
41	203314B	Nipple	Jauge de pression de sortie	Niple	1
42	30051414N2	Pressure Regulator	Détendeur	Regulador de presión	1
43	30031512LN	Outlet Pressure Gauge	Jauge de pression de sortie	Manómetro de presión de salida	1
44	30032012LN	Tank Pressure Gauge	Jauge de pression du réservoir	Manómetro del tanque	1
45	301014N4	Safety Relief Valve	Soupape de sûreté	Válvula de alivio de seguridad	1
46	302106295	Unloader Pipe	Tuyau de décharge	Tubería de descarga	1
47	20161238N	Check Valve	Clapet antiretour	Válvula de retención	1
48	501010630	Exhaust Assembly	Ensemble d'échappement	Conjunto de escape	1
48a	500210320	Exhaust Pipe	Tuyau d'échappement	Tubería de escape	1
48b	500310	Cooling Fin	Ailette de refroidissement	Aleta de enfriamiento	1
48c	50041038	Exhaust Pipe Fitting	Raccord de tuyau d'échappement	Unión de la tubería de escape	2
49	200619620	Tubular Handle w/ Grip	Guidon tubulaire avec prise	Mango tubular c/ agarradera	1
50	40862S23	Power Cord	Cordon d'alimentation	Cable eléctrico	1
51	4085231800	Electric Cable Harness	Faisceau	Mazo de cables eléctricos	1
52	6021616	M6 x 1 x 16 Screw	Vis M4 x 1 x 16	Tornillo M6 x 1 x 16	2
53	60026	6 Flat Washer	6 Rondelle plate	Arandela plana 6	2
54	2005520	Rubber Foot Pad	Pied en caoutchouc	Almohadilla, patas de caucho	2
55	201514NT	Air Tank Drain Cock	Robinet de purge du réservoir d'air	Llave de drenaje, tanque de aire	1
56	20T040N223	Air Tank	Réservoir d'air	Tanque de aire	1
57	6005825	Hex Bolt	Boulon six pans	Perno hexagonal	2
58	600610	Hex Nut	Écrou Six Pans	Tuerca hexagonal	2
59	600110	6 Flat Washer	6 Rondelle plate	Arandela plana 6	2
60	2002616B	Air Tank Wheel	Roue du réservoir d'air	Rueda del tanque de aire	2
61	60051060	Hex Bolt	Boulon six pans	Perno hexagonal	2
62	20-20SF	Quick Connect Coupler	Raccord rapide	Acople de conexión rápida	1