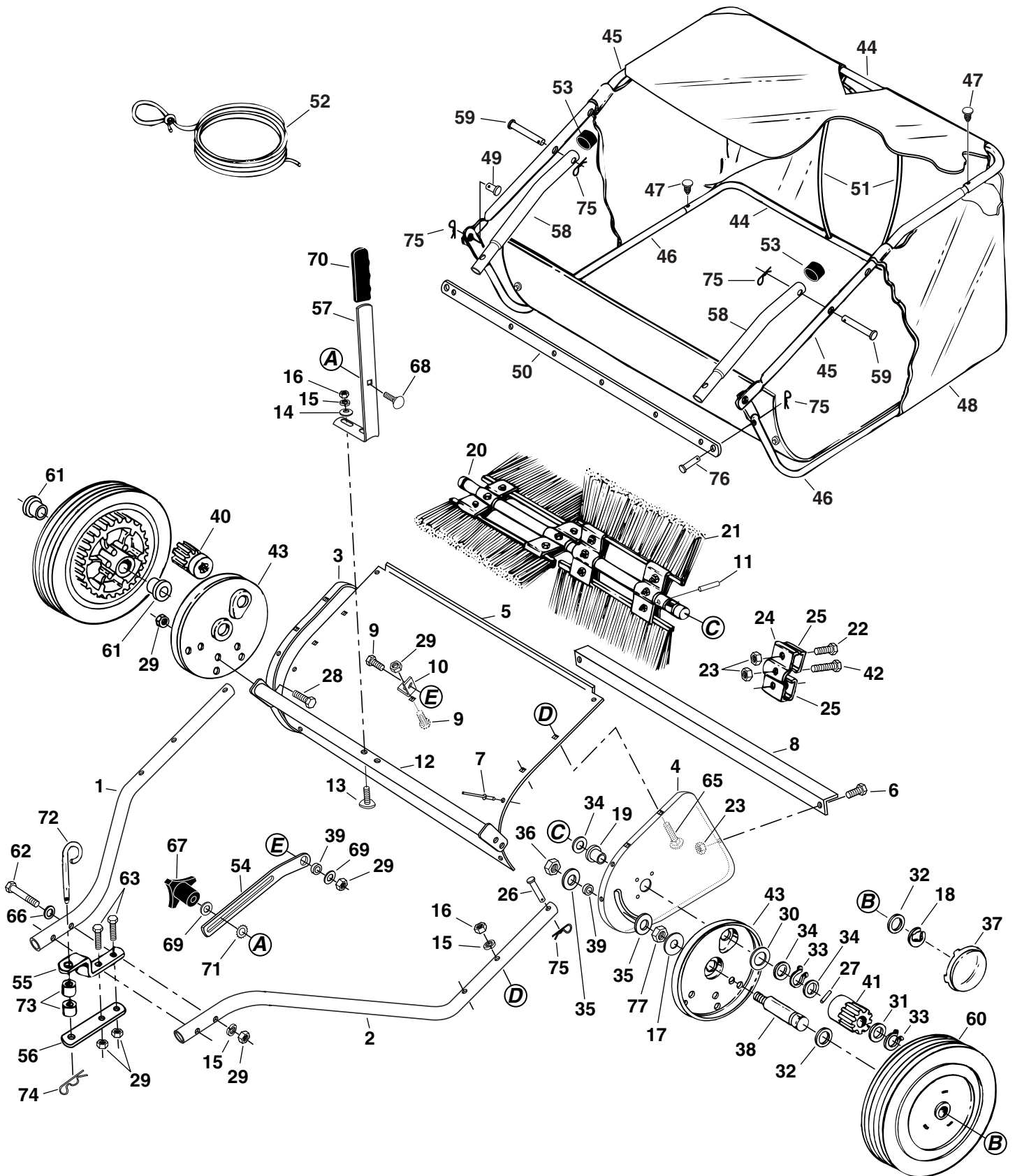


REPAIR PARTS FOR MODEL 45-0337 30" LAWSWEEPER



REPAIR PARTS FOR MODEL 45-0337 30" LAWSWEEPER

Ref. No.	Part No.	Qty.	Description	Ref. No.	Part No.	Qty.	Description
1	48646	1	Hitch Tube, R.H.	42	43661	4	Bolt, Hex 1/4-20 x 1" Lg.
2	48645	1	Hitch Tube, L.H.	43	25102	2	Dust Cover
3	24950	1	End Plate, R.H.	44	48471	2	Tube, Hopper Frame (Rear)
4	24951	1	End Plate, L.H.	45	48467	2	Tube, Upper Hopper Frame (Front)
5	24989	1	Wrapper	46	48728	2	Tube, Lower Hopper Frame (Front)
6	43175	2	Bolt, Hex 1/4-20 x 1/2" Lg.	47	48402	4	Plastic Plug
7	C-9M5732	6	Rivet, Pop	48	48396	1	Hopper Bag
8	23887	1	Brace, Rear Support	49	48366	2	Clevis Pin, 3/8" x 1/2"
9	43182	2	Bolt, Hex 5/16-18 x 3/4"	50	23870	1	Strap, Bag Frame
10	23826	1	Bracket, Angle	51	43926	2	Rod, Hopper Support
11	43851	2	Roll Pin, 3/16" x 1-1/4"	52	43737	1	Hopper Rope
12	64588	1	Height Adjustment Tube Assembly	53	44481	2	Cap, Vinyl
13	44947	2	Bolt, Cvd. Hd. 5/16-18 x 1-5/8" Lg.	54	24979	1	Strap, Height Adjustment
14	44695	2	Washer, Bowed 1" x .32" x .06"	55	23687	1	Bracket, Hitch
15	43086	8	Lock Washer, 5/16"	56	24192	1	Bracket, Hitch (Straight)
16	43083	6	Nut, Hex 5/16-18 Thread	57	23850	1	Handle, Height Adjustment
17	R19131316	2	Washer, .8175 x 1.5 x .06	58	49130	2	Tube, Bag Arm
18	716-0106	2	Ring, Retaining 5/8"	59	43513	2	Pin, Clevis 3/8" x 3"
19	44909	2	Bushing, Brush Shaft	60	44930	2	Wheel & Tire Ass'y. (with bearings)
20	23567	1	Brush Shaft	61	741-0249	4	Wheel Bearing
21	43902	4	Brush	62	44292	2	Bolt, Hex 5/16-18 x 2-1/2" Lg.
22	43012	8	Bolt, Hex 1/4-20 x 3/4" Lg.	63	44180	2	Bolt, Hex 5/16-18 x 2" Lg.
23	43013	14	Nut, Hex Lock 1/4-20 Thread	64	43070	2	Washer, 3/8" Std. Wrt.
24	23580	4	Retainer, Brush (Double)	65	43681	4	Bolt, Carriage 5/16-18 x 1-1/2"
25	23581	8	Retainer, Brush (Single)	66	R19111116	2	Washer, Flat (5/16) 11/32" x 11/16"
26	46867	2	Clevis Pin, 1/4" x 1-3/4" Lg.	67	43720	1	Knob, Wing 5/16-18 Thread
27	47046	2	Dowel Pin (Drive)	68	43080	1	Bolt, Carriage 5/16-18 x 3/4" Lg.
28	44692	4	Bolt, Hex 5/16-18 x 1/2" Lg.	69	43081	2	Washer, Flat 5/16" Std. Wrt.
29	43064	10	Nut, Hex Lock 5/16-18 Thread	70	43943	1	Grip, Height Adjust
30	1540-31	2	Washer, Flat .78" x 1.25" x .062"	71	44732	1	Washer, Tooth Lock 5/16"
31	44006	2	Washer, Flat .849" x .598" x .025"	72	23353	1	Pin, Hitch
32	44125	4	Washer, Flat .62" x 1.00"	73	23368	2	Tube, Hitch Spacer
33	1650-21	4	Ring, Retaining .594"	74	43343	1	Hairpin Cotter, 1/8" #4
34	44007	6	Washer, Shim 1-1/8" x .594" x .025"	75	43055	8	Hairpin Cotter, 3/32" #3
35	141	4	Washer, Flat 1-1/2" x .375" x .062"	76	48365	2	Clevis Pin, 1/4" x 1-1/8"
36	1038	2	Nut, Nylock 3/8-24 Thread	77	44684	2	Jam Nut, 3/8-24 Thread
37	2674-32	2	Hub Cap		49132	1	Owners Manual
38	44598	2	Axle				
39	23400	3	Bushing, Spacer				
40	43886	1	Gear, Pinion R.H. (not shown)				
41	43885	1	Gear, Pinion L.H.				

SpeedPart *the fastest way to purchase parts* www.speedepart.com