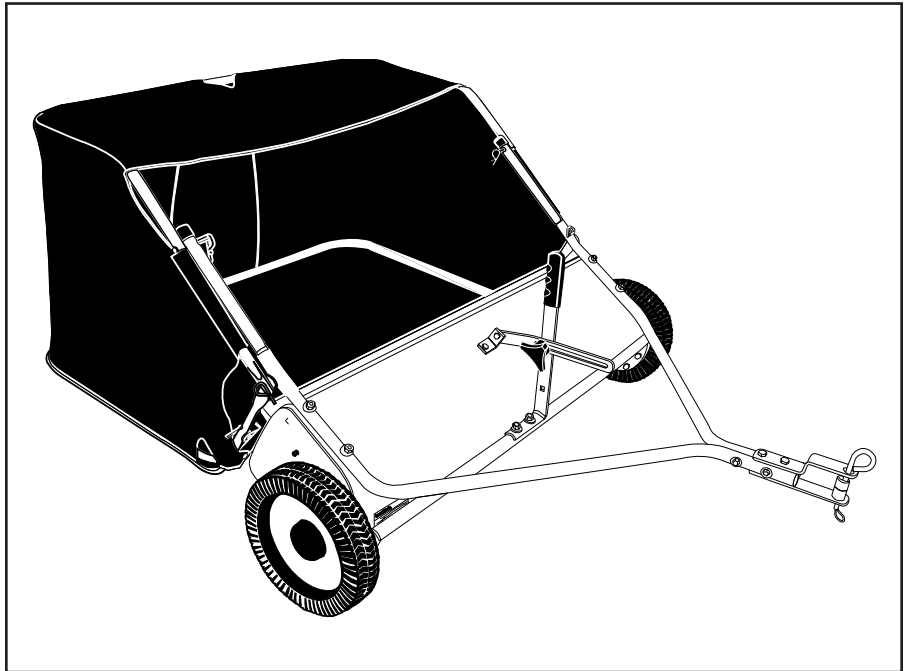




**OWNERS MANUAL  
MANUAL DEL USUARIO  
NOTICE D'UTILISATION**

**Model No.  
Modelo No.  
Modèle No.**

**45-03371**



**30" LAWSWEEPER  
BARREDORA DE CESPED DE 76 cm  
BALAYEUSE DE 76 cm**

**CAUTION:**  
Read Rules for  
Safe Operation  
and Instructions  
Carefully

**PRECAUCION:**  
Lea cuidadosamente  
los Procedimientos e  
Instrucciones para la  
Operación Segura de la  
Máquina.

**ATTENTION:**  
Lire et suivre attentivement  
les instructions et  
consignes de sécurité de  
cette notice.

- Safety
- Assembly
- Operation
- Maintenance
- Parts

- Seguridad
- Montaje
- Operación
- Mantenimiento
- Piezas de Repuesto

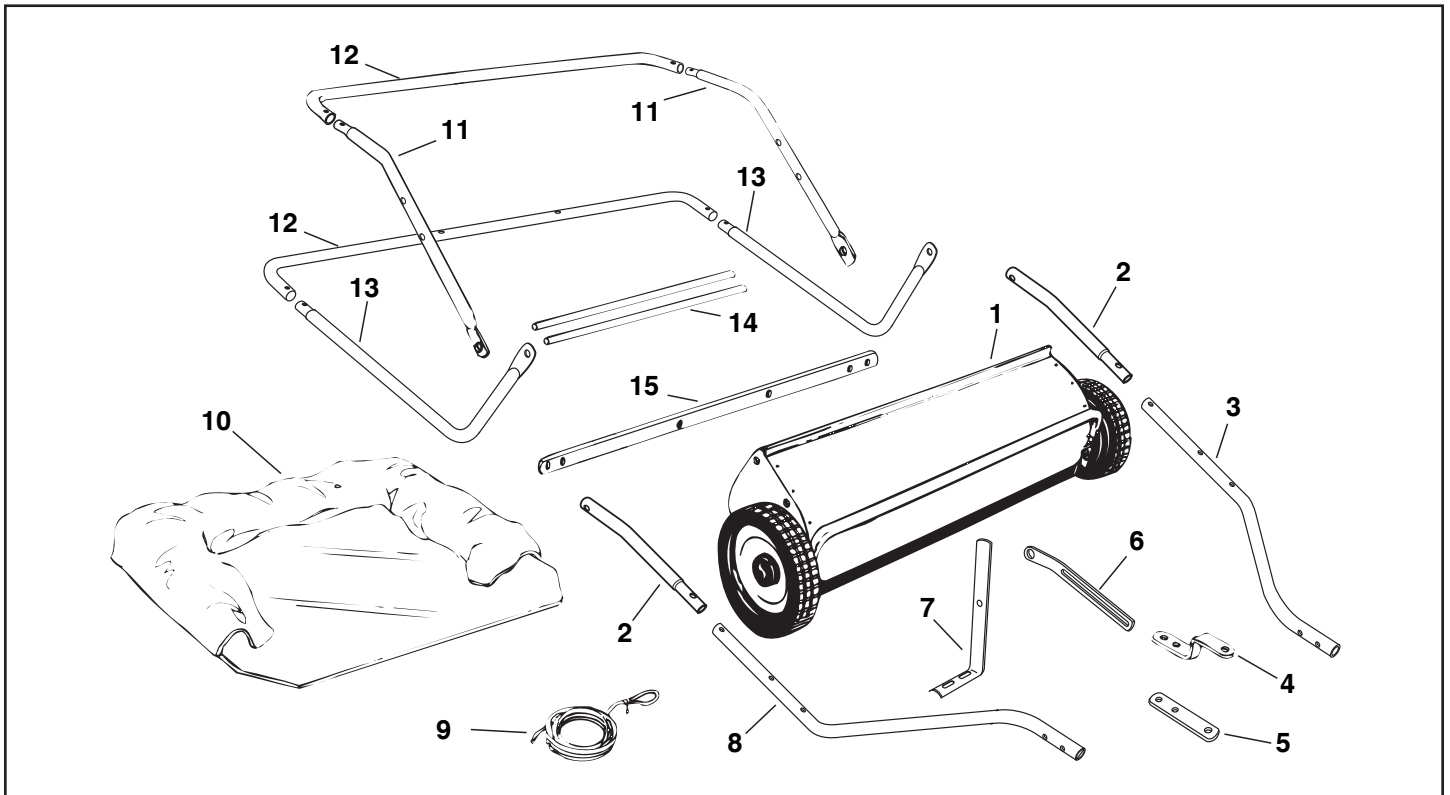
- Sécurité
- Assemblage
- Fonctionnement
- Maintenance
- Pièces de Rechange

**SpeedEPart** *the fastest way to purchase parts* [www.speedepart.com](http://www.speedepart.com)

**CARTON CONTENTS** (Loose Parts in Carton)

**CONTENIDO DE LA CAJA** (Partes Sueltas en la Caja)

**CONTENU DU CARTON** (Pièces en Vrac Dans le Carton)



### ENGLISH

1. Sweeper Housing Assembly
2. Bag Arm Tube (2)
3. Hitch Tube, L.H.
4. Hitch Bracket
5. Hitch Bracket (Straight)
6. Height Adjustment Strap
7. Height Adjustment Handle
8. Hitch Tube, R.H.
9. Rope
10. Hopper Bag
11. Upper Hopper Side Tube (2)
12. Rear Hopper Tube (2)
13. Lower Hopper Side Tube (2)
14. Hopper Support Rod (2)
15. Bag Frame Strap

### ESPAÑOL

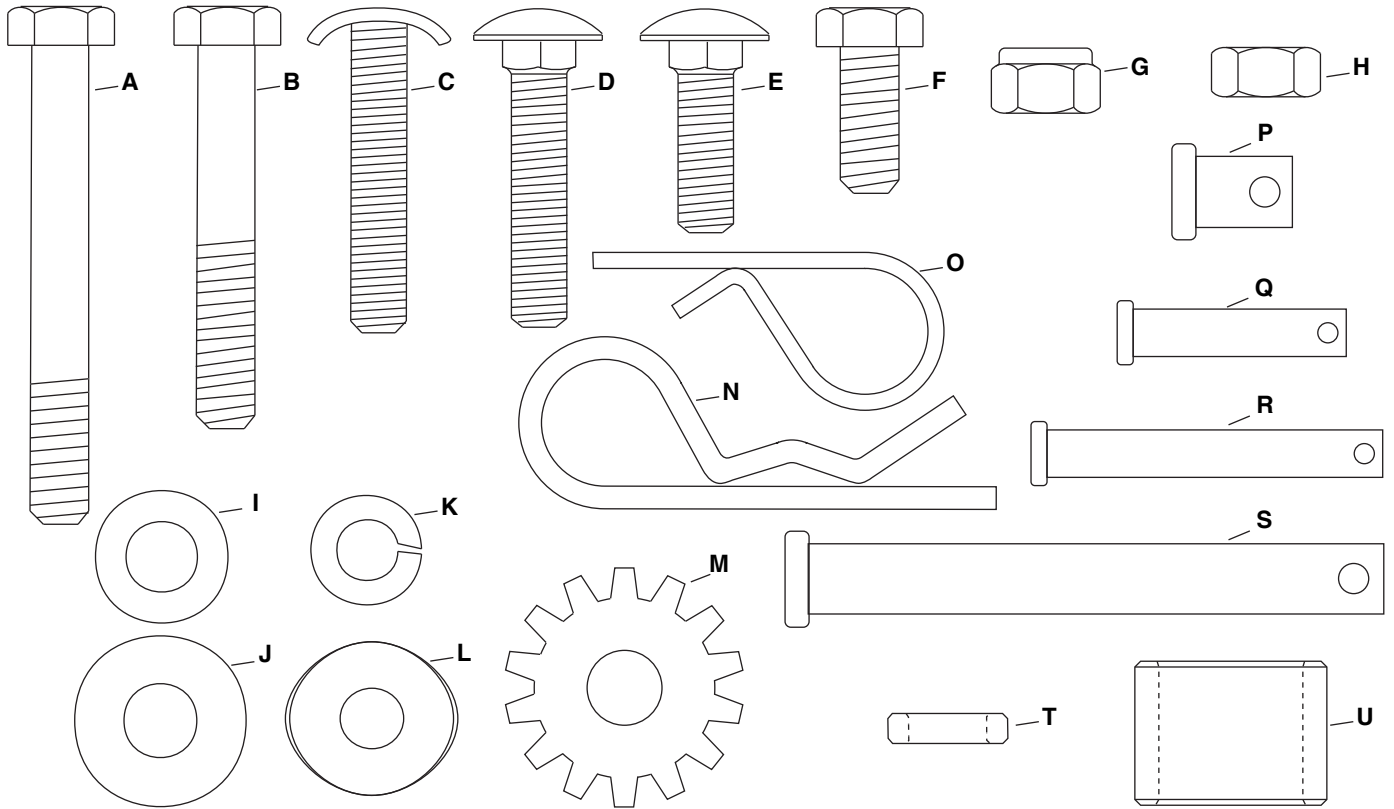
1. Conjunto de Carcaza de la Barredora
2. Brazo del Tubo de la Bolsa (2)
3. Tubo de Enganche (Mano Izquierda)
4. Ménsula de Enganche
5. Ménsula de Enganche (Recta)
6. Banda de Ajuste de Altura
7. Manija de Ajuste de Altura
8. Tubo de Enganche (Mano Derecha)
9. Cuerda
10. Bolsa de la Tolva
11. Tubo Lateral de la Parte Superior de la Tolva (2)
12. Tubo de la Parte Posterior de la Tolva (2)
13. Tubo Lateral de la Parte Inferior de la Tolva (2)
14. Barra de Soporte de la Tolva (2)
15. Banda del Marco de la Bolsa

### FRANÇAIS

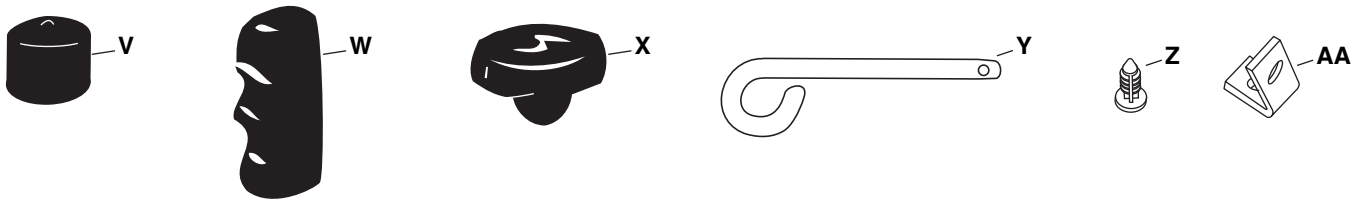
1. Bâti de la balayeuse
2. Tube du bras du sac (2)
3. Tube d'attelage, côté droit
4. Support de l'attelage
5. Support de l'attelage, droit
6. Étrier de réglage de la hauteur
7. Poignée de réglage de la hauteur
8. Tube d'attelage, côté droit.
9. Cordage
10. Sac de récupération des débris
11. Tube latéral supérieur de la trémie (2)
12. Tube arrière de la trémie (2)
13. Tube latéral inférieur de la trémie (2)
14. Tiges de support de la trémie (2)
15. Bride du cadre du sac

**ENGLISH**

**SHOWN FULL SIZE**



**NOT SHOWN FULL SIZE**



REF	QTY	DESCRIPTION	REF	QTY	DESCRIPTION
A	2	Hex Bolt, 5/16 x 2-1/2" Lg.	O	8	Hair Cotter Pin, 3/32"
B	2	Hex Bolt, 5/16 x 2" Lg.	P	2	Clevis Pin, 3/8" x 1/2"
C	2	Curved Head Bolt, 5/16" x 1-5/8"	Q	2	Clevis Pin, 1/4" x 1-1/8"
D	4	Carriage Bolt, 5/16" x 1-1/2"	R	2	Clevis Pin, 1/4" x 1-3/4"
E	1	Carriage Bolt, 5/16 x 1" Lg.	S	2	Clevis Pin, 3/8" x 3"
F	2	Hex Bolt, 5/16" x 3/4"	T	1	Spacer Bushing,
G	10	Nylock Nut, 5/16"	U	2	Hitch Spacer, 3/4"
H	2	Hex Nut (Plain), 5/16"	V	2	Vinyl Cap
I	2	Flat Washer, 5/16" (Small)	W	1	Grip
J	2	Flat Washer, 5/16" Std. Wrt.	X	1	Knob, Plastic
K	2	Lock Washer, 5/16"	Y	1	Hitch Pin
L	2	Bowed Washer	Z	4	Plastic Plug
M	1	Lock Washer (Tooth), 5/16"	AA	1	Angle Bracket
N	1	Hair Cotter Pin, 1/8"			

## SAFETY RULES

Remember, any power equipment can cause injury if operated improperly or if the user does not understand how to operate the equipment. Exercise caution at all times when using power equipment.

1. Read the vehicle and sweeper owners manuals and know how to operate your vehicle and sweeper before using this sweeper attachment. Always instruct other users before they operate the sweeper.
2. Do not permit children to operate sweeper.
3. Do not permit anyone to ride on sweeper.
4. Never attach the hopper rope to any part of your body or clothing! Never hold onto the rope while towing the sweeper! Attach the rope to the towing vehicle to keep it away from wheels and rotating parts.
5. Operate the sweeper at reduced speed on rough terrain, near ditches and on hillsides to prevent loss of control.
6. Vehicle braking and stability may be affected with the attachment of this sweeper. Do not fill sweeper to maximum capacity without checking the capability of the towing vehicle to safely pull and stop with the sweeper attached. **Stay off of steep slopes.**
7. Stop and inspect vehicle and sweeper for damage after striking an object. Repair any damage before continuing operation.
8. Keep sweeper away from fire. Excessive heat can damage the brushes and hopper bag and could cause the bag and its contents to burn.
9. Before storing the sweeper, always empty the hopper bag to avoid spontaneous combustion.
10. Follow maintenance and lubrication instructions as outlined in the maintenance section of this manual.



Look for this symbol to point out important safety precautions. It means — **Attention!!**  
**Become alert!!** Your safety is involved.

# CONTENTS

SAFETY ..... 4  
 ASSEMBLY ..... 5  
 OPERATION ..... 11  
 MAINTENANCE ..... 11  
 STORAGE ..... 12  
 SERVICE AND ADJUSTMENTS ..... 12  
 TROUBLESHOOTING ..... 12  
 REPAIR PARTS ..... 22

## ASSEMBLY

### TOOLS REQUIRED FOR ASSEMBLY

- (1) Knife or Scissors
- (2) 1/2" Open End or Box End Wrenches

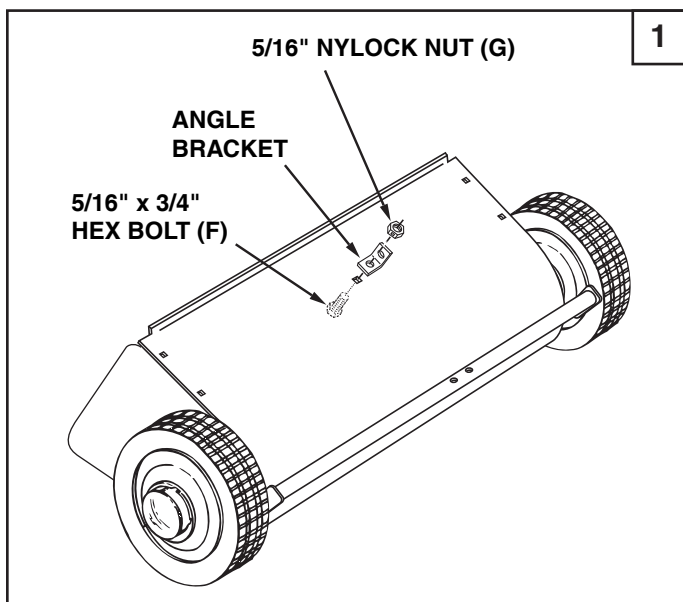
All loose parts are shown on page 2. Fasteners in the parts bag are shown full size on page 3.

Remove the hardware pack and all loose parts from the carton and verify that all the parts and fasteners shown on pages 2 and 3 are included.

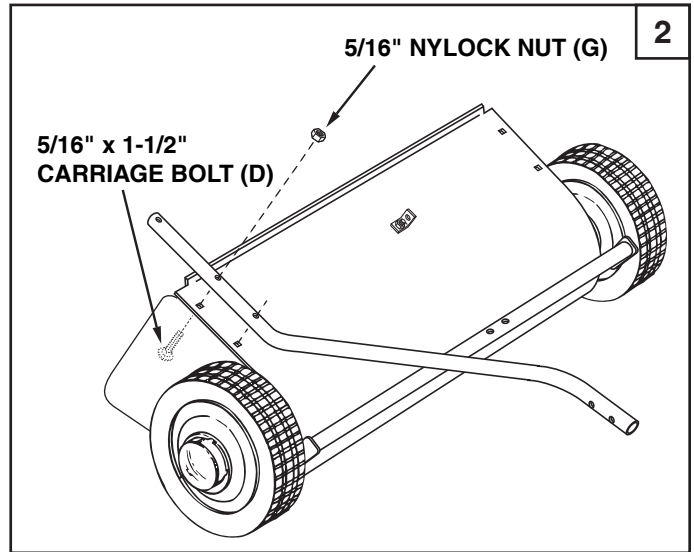
### ASSEMBLY OF SWEEPER

**Note:** Right hand (R.H.) and left hand (L.H.) are determined from the operator's position while seated on the tractor.

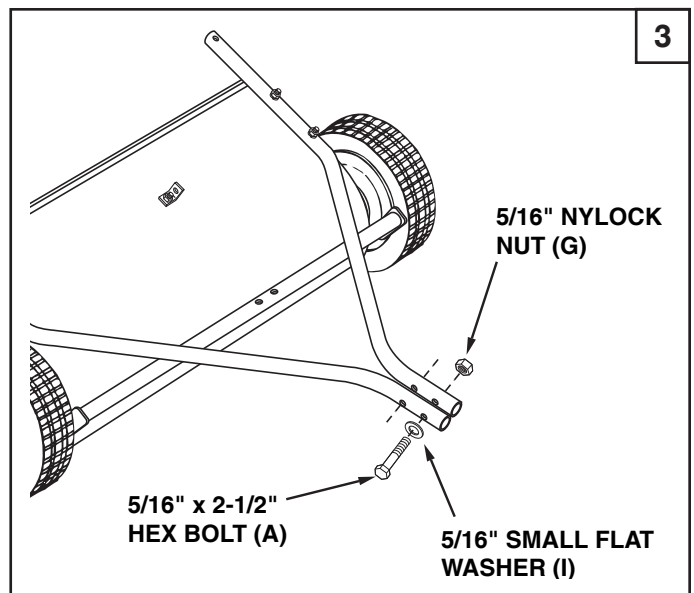
1. **(Figure 1)** Assemble the angle bracket to the sweeper housing using a 5/16" x 3/4" hex bolt (F) and a 5/16" nylock nut (G). Make sure the bracket is turned as shown and aligned straight with the housing and then **tighten**.



2. Cut off the plastic tie that holds the height adjustment tube in place.
3. **(Figure 2)** Assemble the R.H. hitch tube to the sweeper housing using two 5/16" x 1-1/2" carriage bolts (D) and 5/16" nylock nuts (G). **Do not tighten yet.** Repeat for the L.H. hitch tube.



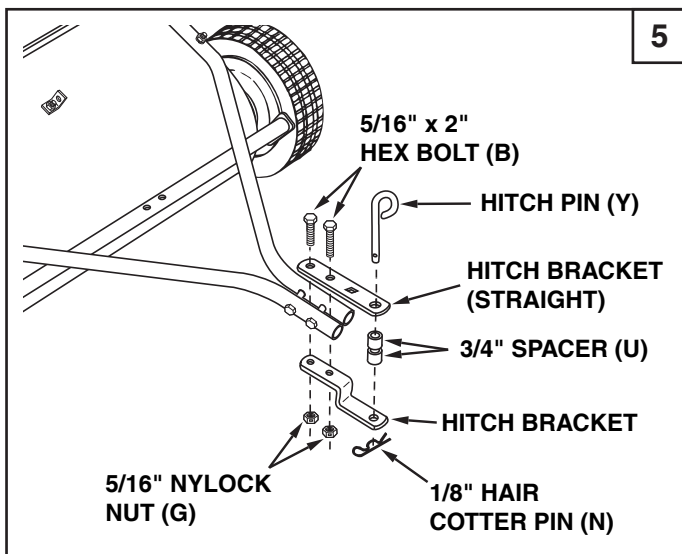
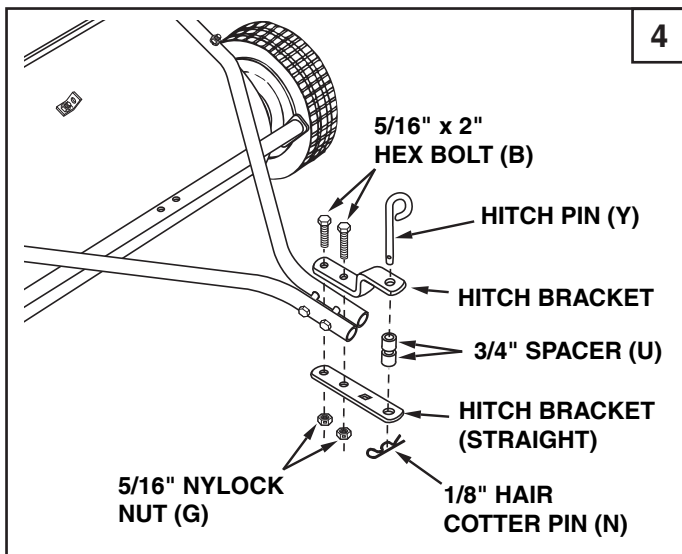
4. **(Figure 3)** Fasten the hitch tubes together using two 5/16" x 2-1/2" hex bolts (A), 5/16" small flat washers (I) and 5/16" nylock nuts (G). **Do not tighten yet.**



## ENGLISH

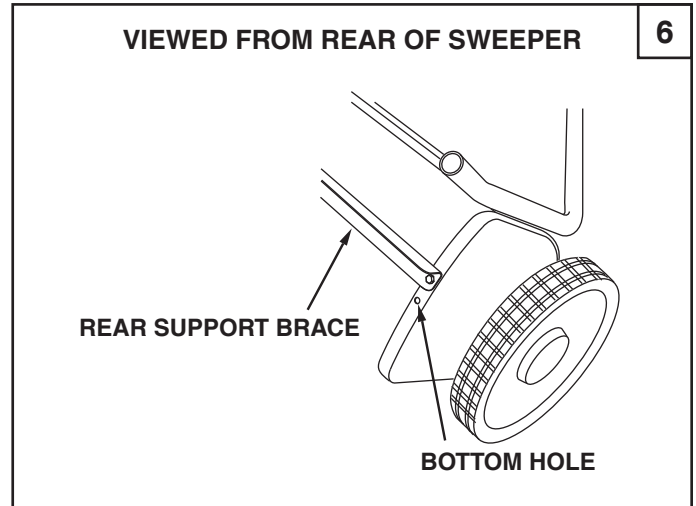
If your tractor hitch has 11" to 13" ground clearance refer to figure 4. If your tractor hitch has 8" to 11" ground clearance refer to figure 5.

5. **(Figure 4 or 5)** Assemble the hitch brackets to the hitch tubes using two 5/16" x 2" hex bolts (B) and 5/16" nylock nuts (G). The bolts should straddle the front hitch tube bolt. **Do not tighten yet.**
6. At this time **tighten** the four bolts fastening the hitch tubes to the sweeper housing. Next, **tighten** the two bolts fastening the ends of the hitch tubes together. Finally, **tighten** the two bolts fastening the hitch brackets to the hitch tubes.
7. **(Figure 4 or 5)** Assemble the hitch pin (Y), two 3/4" spacers (U) and the 1/8" hair cotter pin (N) to the hitch brackets.

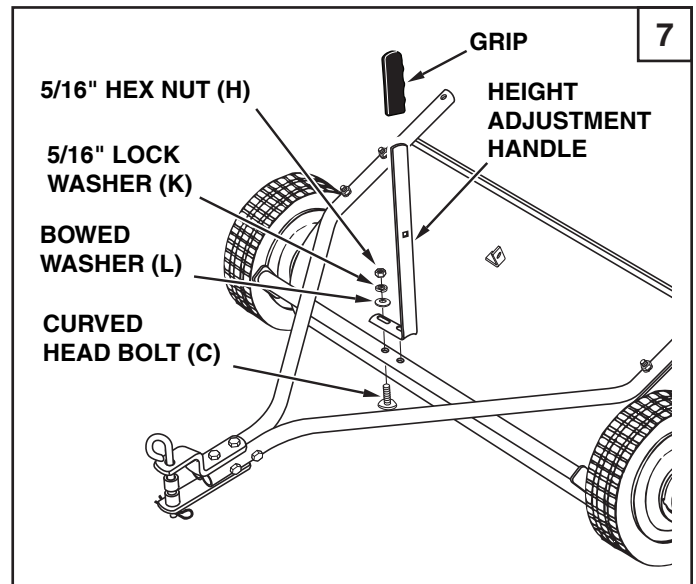


If your tractor hitch has 13" or more ground clearance refer to figure 6, otherwise proceed to figure 7.

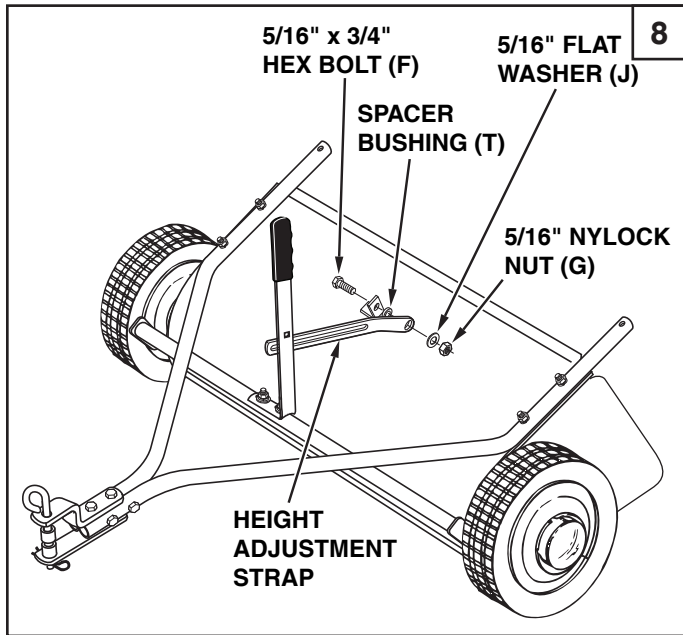
8. **(Figure 6)** Move the rear support brace that came assembled to the rear of the sweeper to the bottom set of holes in the sweeper end plates. This will allow the sweeper bag to sit level when the sweeper is attached to a tractor with a taller hitch.



9. **(Figure 7)** Assemble the height adjustment handle to the height adjustment tube as shown in figure six. Use two curved head bolts (C), bowed washers (L), 5/16" lock washers (K) and 5/16" hex nuts (H). **Do not tighten yet.**
10. **(Figure 7)** Assemble the grip onto the height adjustment handle.

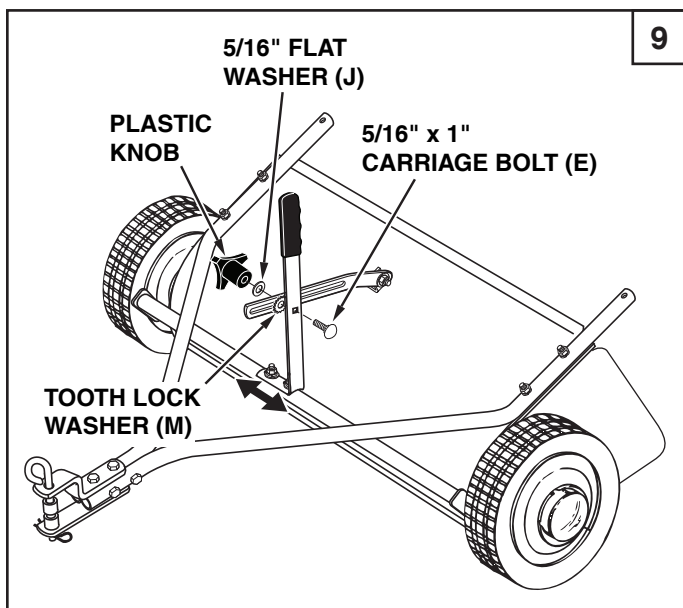


11. **(Figure 8)** Insert a 5/16" x 3/4" hex bolt (F) through the angle bracket. Assemble onto the bolt (in order) the spacer bushing (T), the height adjustment strap, a 5/16" flat washer (J) and a 5/16" nylock nut (G). **Tighten.**



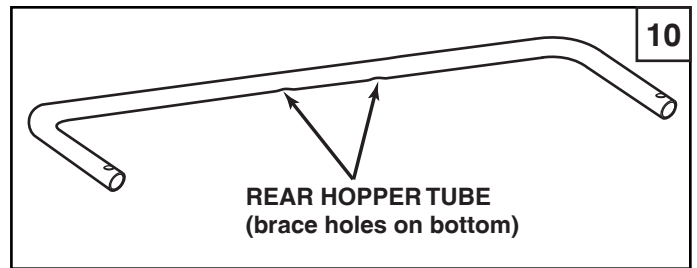
12. **(Figure 9)** Position the height adjustment handle side to side so that the tooth lock washer (M) can fit between the handle and the height adjustment strap. **Tighten** the nuts securing the height adjustment handle.

13. **(Figure 9)** Insert the 5/16" x 1" carriage bolt (E) through the height adjustment handle. Assemble onto the bolt, in order, the 5/16" tooth-lock washer (M), the height adjustment strap, a 5/16" flat washer (J) and the plastic knob.



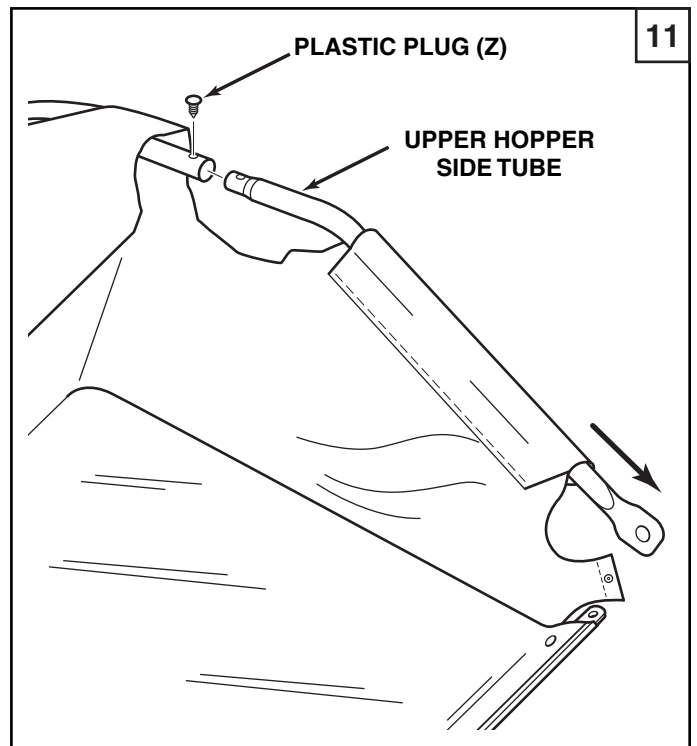
ASSEMBLY OF HOPPER BAG

1. **(Figure 10)** Turn a rear hopper tube so that the brace holes in the middle of the tube **face down**.



2. **(Figure 11)** Insert the two upper hopper side tubes through the stitched flaps on each side of the hopper bag.

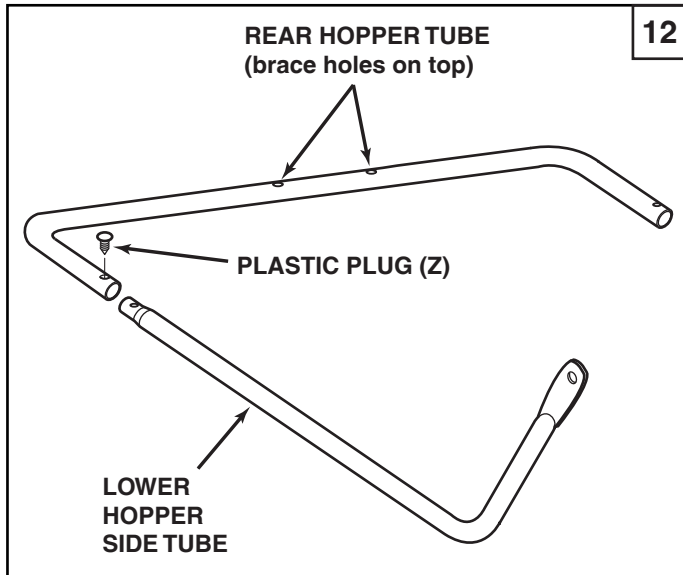
3. **(Figure 11)** Assemble the ends of the rear hopper tube onto the ends of the upper hopper side tubes. Fasten together using plastic plugs (Z).



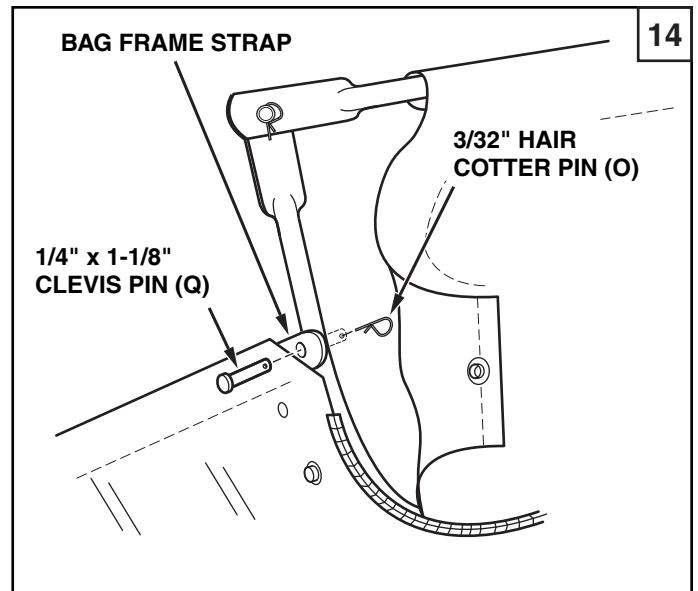


## ENGLISH

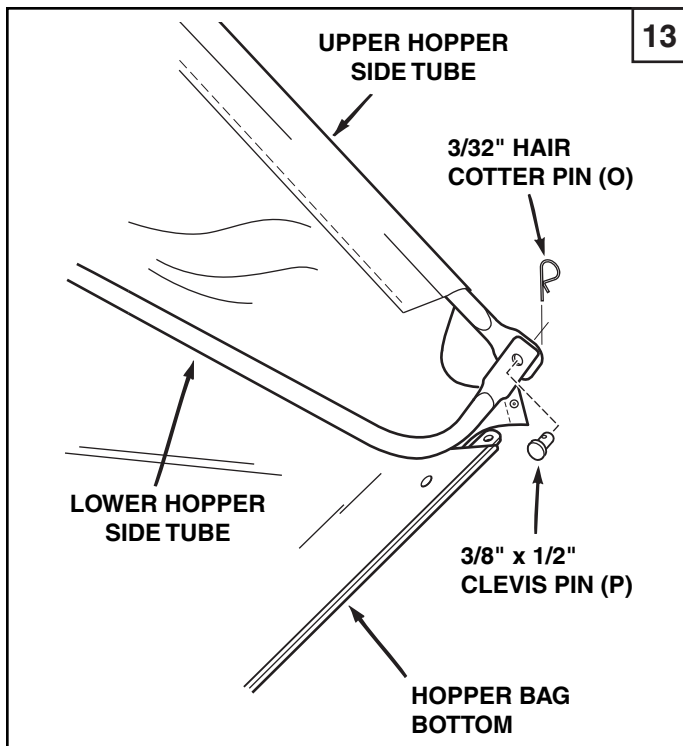
4. **(Figure 12)** Turn the second rear hopper tube so that the brace holes in the middle of the tube **face up**. Assemble the ends of the rear hopper tube onto the ends of the lower hopper side tubes. Fasten together using plastic plugs (Z).



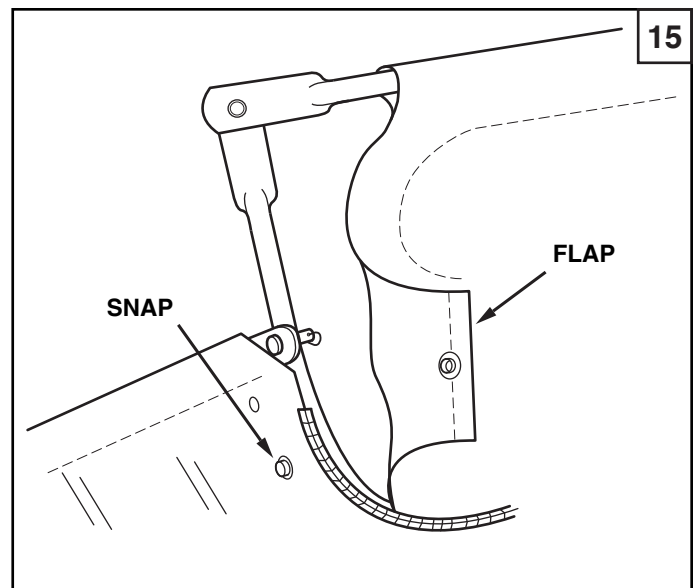
7. **(Figure 14)** Insert the bag frame strap into the stitched sleeve along the front edge of the bag bottom.
8. **(Figure 14)** Assemble the bag frame strap to the lower hopper side tubes using two 1/4" x 1-1/8" clevis pins (Q) and 3/32" hair cotter pins (O).



5. **(Figure 13)** Place the assembled lower hopper tubes into the bottom of the hopper bag
6. **(Figure 13)** Attach the ends of the lower hopper side tubes to the **inside** of the upper hopper side tubes using two 3/8" x 1/2" clevis pins (P) inserted from the inside, and two 3/32" hair cotter pins (O).



9. **(Figure 15)** Secure the bag corners around the lower hopper side tubes by snapping the bag flaps to the bag bottom on both sides.

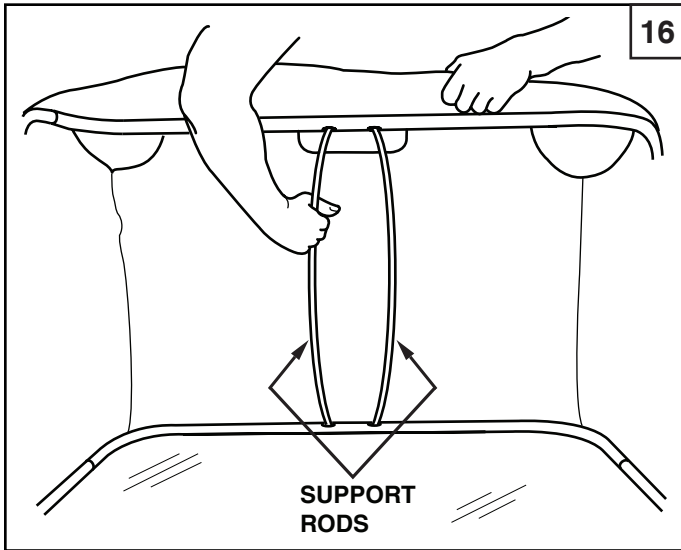




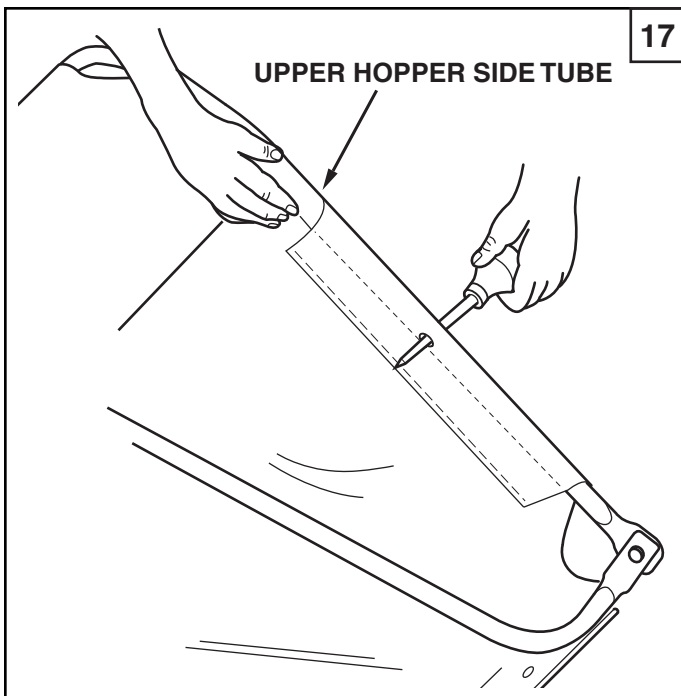
## ENGLISH

**IMPORTANT:** Do not over bend the support rods during the following step. Over bending will cause the steel rods to lose supporting tension.

10. **(Figure 16)** Tip the hopper onto its back to assemble the two hopper support rods. Place the ends of each rod into the upper and lower rear hopper tubes, bending the rod just enough to fit into the holes in the tubes.

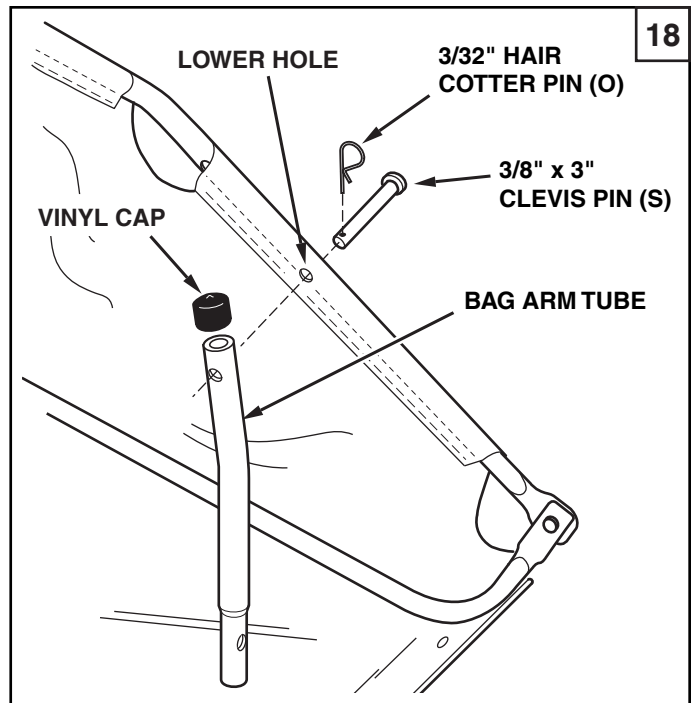


11. **(Figure 17)** Feel along the stitched flap on the hopper bag to locate the hole in each upper hopper side tube. Pierce a hole through both sides of the stitched flaps in alignment with the lower hole.

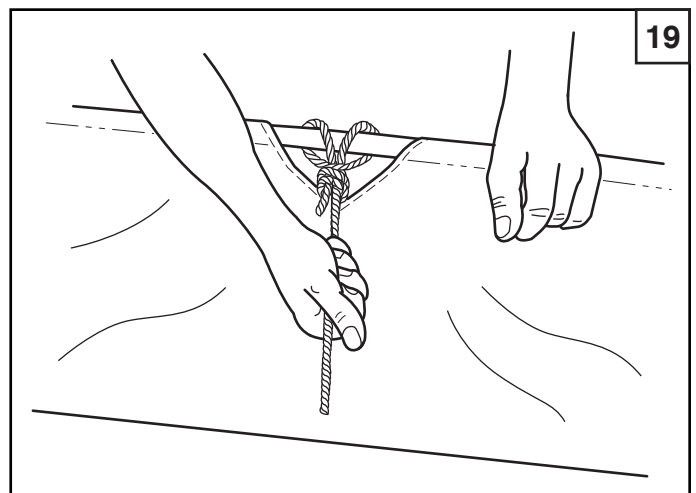


12. **(Figure 18)** Insert a 3/8" x 3" clevis pin (S) through the lower hole in each upper hopper side tube. Next, assemble a bag arm tube (pointing in direction shown) onto each clevis pin and secure it with a 3/32" hair cotter pin (O).

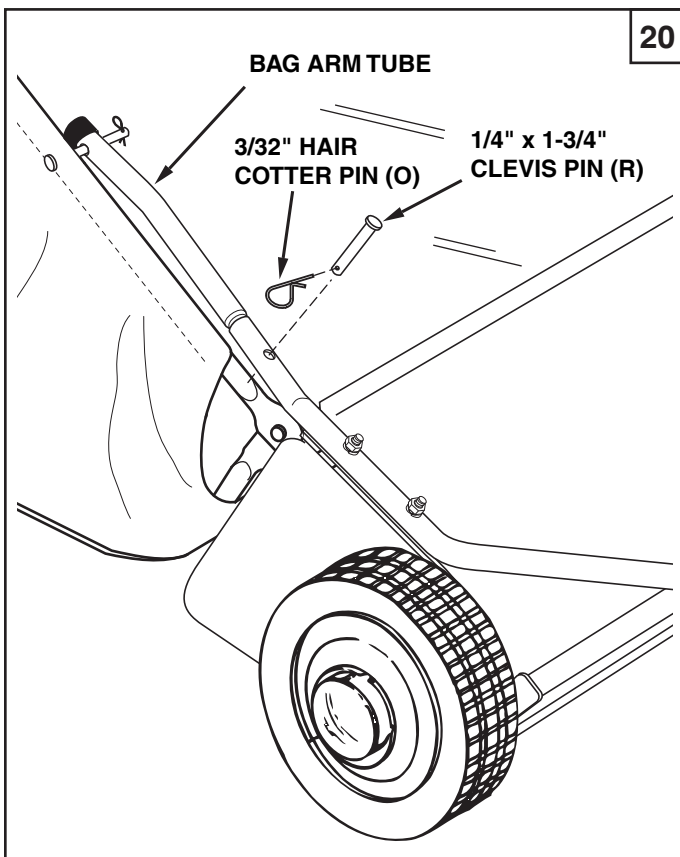
13. **(Figure 18)** Assemble a vinyl cap (V) onto the end of each bag arm tube.



14. **(Figure 19)** Secure the rope to the top center of the hopper bag frame.



15. **(Figure 20)** To assemble the hopper bag to the sweeper, slide the ends of the bag arm tubes into the ends of the sweeper's hitch tubes and secure with two  $1/4" \times 1-3/4"$  clevis pins (R) and  $3/32"$  hair cotter pins (O).

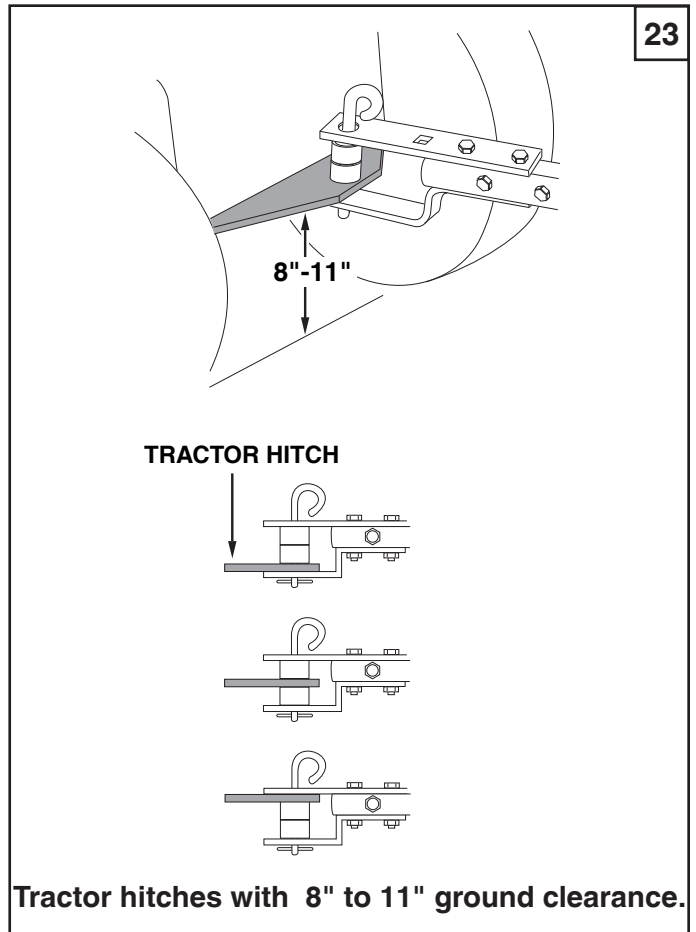
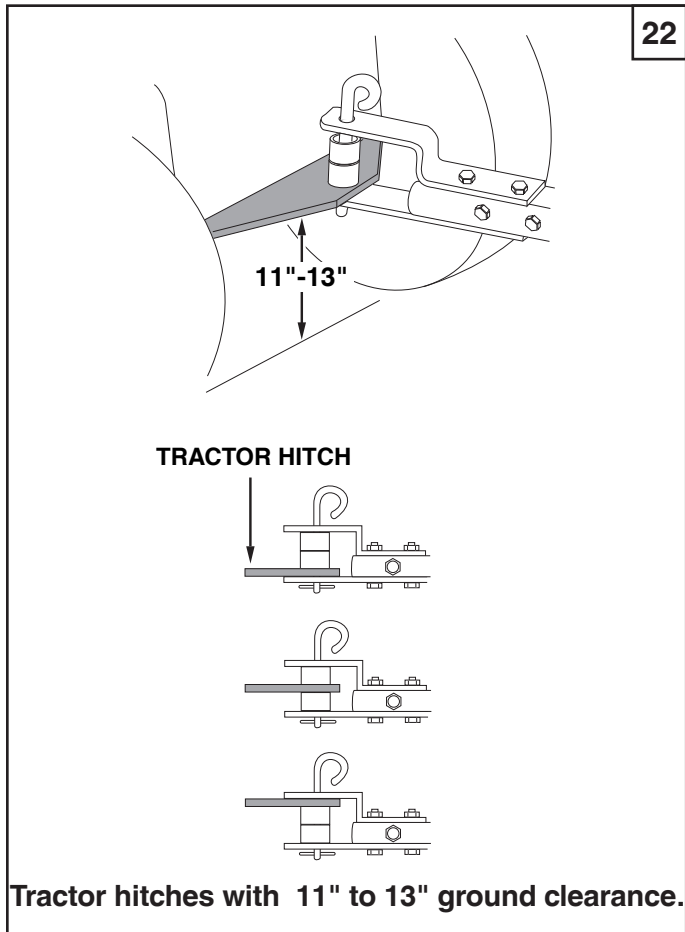
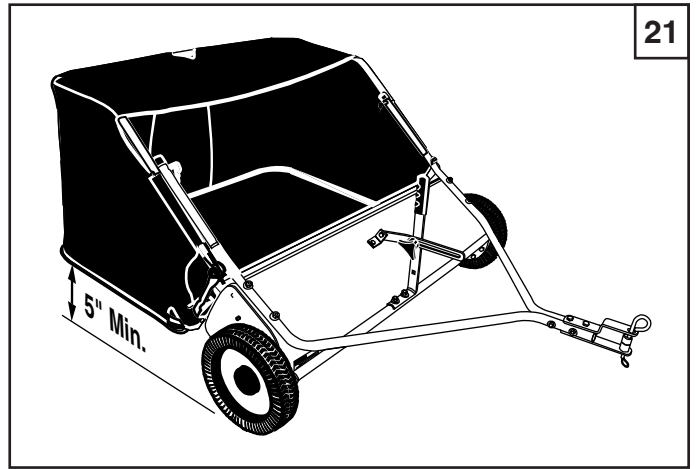


**ATTACHING SWEEPER HITCH TO TRACTOR**

(Figures 21, 22, 23)

1. Place the tractor and sweeper on a flat level surface.
2. Set the sweeper height adjustment handle to about the middle of its adjustment range.
3. Attach the sweeper hitch brackets to the tractor hitch, arranging the 3/4" spacers to make the bottom of the sweeper bag as level with the ground as possible. See figure 22 for tractor hitches that are 11" to 13" above the ground. See figure 23 for tractor hitches that are 8" to 11" above the ground.

**IMPORTANT:** For best performance, the bottom of the sweeper bag should be as level with the ground as possible with at least 5" ground clearance. See figure 21.



# OPERATION

## HOW TO USE YOUR SWEEPER

### BRUSH HEIGHT ADJUSTMENT

To adjust your sweeper brushes to the best operating height, loosen the adjustment knob and push down on the height adjustment lever to raise the brush. Best adjustment is when the brush setting is 1/2" down into the grass. Always mow the grass to an even height before sweeping.

### SWEEPING SPEED

Try a starting speed of approximately 3 m.p.h. (third gear on most tractors). Depending on the conditions, it may be necessary to adjust the sweeping speed in order to achieve best results.

### DUMPING OF SWEEPER

Your sweeper can be dumped easily without getting off of the rider or tractor. Simply pull the rope forward to dump the hopper. Always empty hopper after each use.

**CAUTION:** Never attach the hopper rope to any part of your body or clothing! Never hold onto the rope while towing the sweeper! Attach the rope to the towing vehicle to keep it away from wheels and rotating parts.

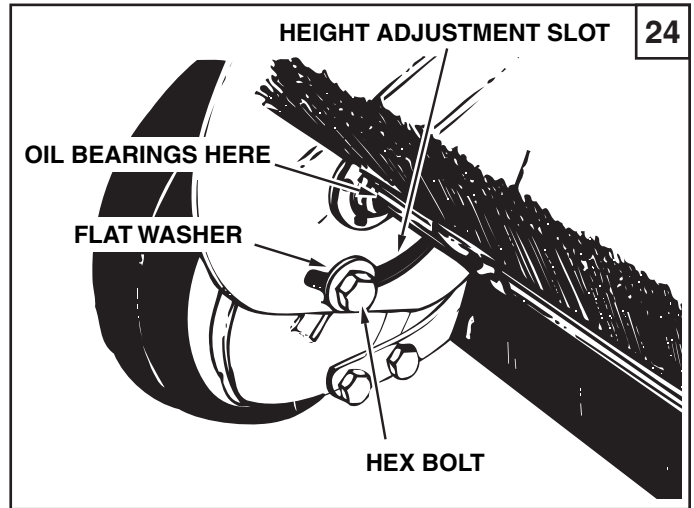
**CAUTION:** Keep sweeper away from fire. Excessive heat can damage the brushes and hopper bag and could cause the bag and its contents to burn.

# MAINTENANCE

## CUSTOMER RESPONSIBILITIES

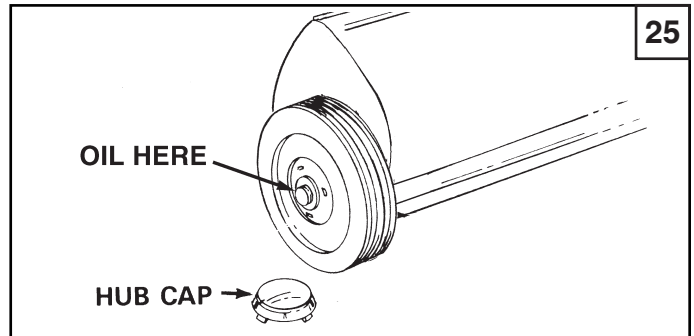
1. Check for loose fasteners before each use.
2. Clean the sweeper after each use.
  - a. Clean sweeper housing with a soft brush or cloth.
  - b. Clean debris from hopper bag with a brush or broom.
  - c. Remove any material which has wrapped around brushes or ends of brush shaft.
3. Inspect for worn or damaged parts, such as brushes and wheels before each use. Replace as necessary.

4. (Figure 24) Lubricate the brush shaft bearing twice a year with a few drops of light weight oil.



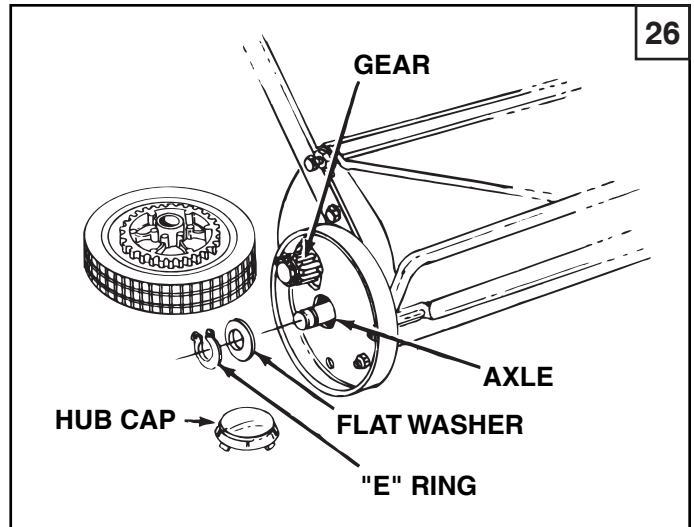
### LUBRICATE WHEEL BEARINGS

5. (Figure 25) Lubricate the wheel bearings once every season with a few drops of light weight oil.



### CLEAN/LUBRICATE WHEEL GEARS

6. (Figure 26) Every two years remove the wheels and clean the gears found inside the wheel housing. After cleaning, lubricate with an even coat of light grease.



## STORAGE



**CAUTION:** Before storing the sweeper, always empty the hopper bag to avoid spontaneous combustion.

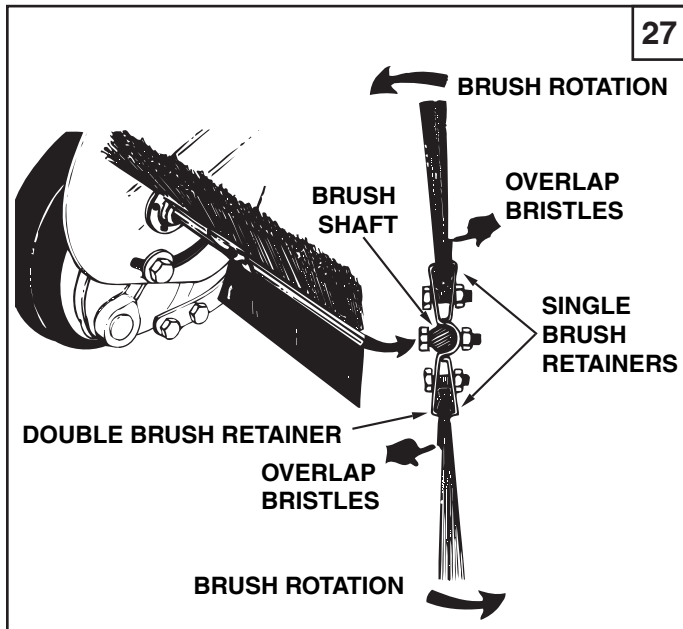
1. Clean the sweeper and hopper bag thoroughly to help prevent rust and mildew.
2. To collapse the hopper bag for storage, remove the two hopper support rods from the rear of the hopper.
3. Store in a dry area.

## SERVICE AND ADJUSTMENTS

### BRUSH REPLACEMENT

**NOTE:** Brush replacement should be done one brush at a time.

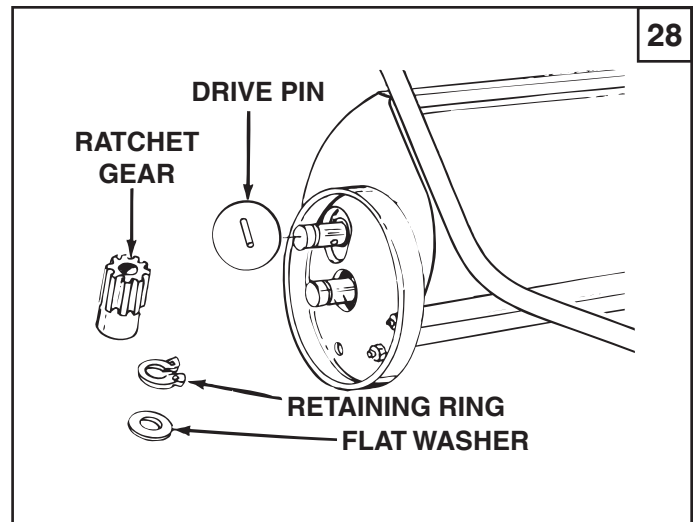
1. Remove the hopper bag from the sweeper.
2. **(Figure 27)** Loosen the hex bolts and lock nuts on two single brush retainers which clamp one brush to the double brush retainers. **Do Not loosen** or remove the bolts which fasten the double brush retainers to the brush shaft.
3. **(Figure 27)** Slide the brush out of the retainers, noting on which side of the brush the bristles overlap.
4. **(Figure 27)** Install new brush, making sure the bristles overlap on the same side of the brush as before.



## WHEEL GEAR AND PAWL SERVICE

**IMPORTANT:** Do not remove both wheels at the same time to avoid mixing of parts. (The R.H. and L.H. ratchet gears are not interchangeable.) **Make notes** on the position of washers and snap rings during disassembly.

1. Remove **only one** wheel from the sweeper.
2. Remove the retaining rings and washers which hold the ratchet gear onto the brush shaft.
3. **(Figure 28)** Remove the gear by sliding it off the brush shaft. (Look for the drive pin, which may fall out of the brush shaft when the ratchet gear is removed.)
4. To reassemble, insert the drive pin through the hole near the end of the brush shaft. Make sure the pin slides back and forth easily in the shaft.
5. Lightly grease the shaft and fill the ratchet gear with grease. Assemble the ratchet gear back onto the shaft.
6. Lightly grease the axle and the gear teeth on the wheel, and then reassemble the wheel. The brushes should rotate **only** during forward rotation of the wheel. If the brushes are driven (rotated) by both forward and reverse rotation of the wheel, the drive pin is jamming in the ratchet gear. Disassemble to clean and lubricate the drive pin and the ratchet gear.
7. Remove the second wheel and repeat the procedure.



## TROUBLESHOOTING

<p>Wheels skid when sweeping.</p>	<ol style="list-style-type: none"> <li>1. Brushes set too low.</li> <li>2. Brushes are jammed</li> <li>3. Wheels are jammed.</li> </ol>	<ol style="list-style-type: none"> <li>1. Adjust height till brushes are 1/2" down into grass.</li> <li>2. Stop sweeper. Remove obstruction.</li> <li>3. Remove one wheel at a time to check for obstruction or damage. Refer to Service and Adjustments section.</li> </ol>
-----------------------------------	---	--

## NORMAS DE SEGURIDAD

Recuerde, cualquier equipo motorizado puede causar lesiones si se usa en forma inapropiada o si el usuario no entiende como operarlo. Sea precavido siempre que use equipo motorizado.

1. Lea los manuales del usuario de la barredora y del vehículo de arrastre y conozca su operación antes de usar este accesorio de barredora. Siempre instruya a otros usuarios sobre su operación, antes de que operen su barredora.
2. No permita que los niños operen la barredora.
3. No permita que nadie se monte en la barredora.
4. ¡Nunca se amarre la cuerda de la tolva al cuerpo o a la ropa! ¡ Nunca se sostenga de la cuerda mientras remolca la barredora! Amarre la cuerda al vehículo de arrastre para mantener la barredora alejada de ruedas y partes rotatorias.
5. En terreno quebrado, cerca de zanjas o en colinas, opere la barredora a baja velocidad para prevenir la pérdida de control.
6. La estabilidad y frenado del vehículo de arrastre pueden afectarse con el enganche de esta barredora. No llene la barredora a su máxima cabida sin antes verificar la capacidad del vehículo de arrastre para remolcar y detenerse en forma segura con la barredora enganchada. **No opere en cuestas empinadas.**
7. Deténgase e inspeccione el vehículo de arrastre y la barredora después de haber golpeado algún objeto. Repare cualquier daño que haya causado antes de continuar la operación.
8. Mantenga la barredora alejada del fuego. El calor excesivo puede dañar los cepillos y la bolsa de la tolva y causar el incendio de la bolsa y su contenido.
9. Antes de guardar la barredora, siempre vacíe la bolsa de la tolva para evitar la combustión espontánea de su contenido.
10. Siga las instrucciones de lubricación y mantenimiento como se señalan en la sección de mantenimiento de este manual.



Este símbolo indica precauciones importantes de seguridad. Significa - ¡**ATENCIÓN!** Su seguridad está en riesgo.

### INDICE

SEGURIDAD .....	14
INSTRUCCIONES DE ARMADO .....	15
OPERACION .....	16
MANTENIMIENTO.....	16
ALMACENAMIENTO .....	17
SERVICIO Y AJUSTES .....	17
RESOLUCION DE PROBLEMAS .....	17
REPUESTOS .....	22

### ARMADO

#### HERRAMIENTAS REQUERIDAS PARA EL ARMADO

- (1) Cuchilla o tijeras
- (2) Llaves de Boca Abierta o de Estrella de 1/2"

Todas las partes sueltas se muestran en la página 2. Los sujetadores en la bolsa de partes se muestran en su tamaño real en la página 3. Retire toda la ferretería y todas las partes sueltas de la caja y verifique que todas las partes y sujetadores que se muestran en las páginas 2 y 3 han sido incluidos.



## ARMADO DE LA BARREDORA

**Nota:** La mano derecha y la izquierda se determinan desde la posición del operador sentado en el vehículo de arrastre.

**Nota:** las figuras del armado se encuentran en las páginas de 5 a 10.

1. **(Figura 1)** Fije la ménsula de ángulo en la carcaza de la barredora usando un perno hexagonal (F) y una tuerca de cierre (G). Asegúrese de que la ménsula queda fija en la posición que se ilustra y alineada recta con la carcaza y luego **apriete la tuerca**.
2. Corte el plástico que sostiene en su lugar el tubo de ajuste de altura.
3. **(Figura 2)** Fije el tubo de enganche de mano derecha en la carcaza de la barredora, usando dos pernos de coche (D) y tuercas de cierre (G). **No apriete todavía**. Repita la operación para el tubo de enganche de mano izquierda.
4. **(Figura 3)** Conecte entre sí los tubos de enganche, usando dos pernos hexagonales (A), pequeñas arandelas planas (I) y tuercas de cierre (G). **No apriete todavía**.

**Si el enganche de su tractor o vehículo de arrastre tiene una altura sobre el piso de 25 a 33 cm, estudie la figura 4. Si el enganche de su tractor o vehículo de arrastre tiene una altura sobre el piso de 20 a 25 cm, refiérase a la figura 5.**

5. **(Figura 4 o 5)** Monte las ménsulas de enganche en los tubos de enganche usando dos pernos hexagonales (B) y tuercas de cierre (G). Los pernos deben montarse uno a cada lado del perno del tubo de enganche. **Todavía no apriete**.
6. En este momento **apriete** los cuatro pernos, fijando los tubos de enganche a la carcaza de la barredora. En seguida **apriete** los dos pernos, juntando los extremos de los tubos de enganche. Finalmente, **apriete** los dos pernos, fijando las ménsulas de enganche a los tubos de enganche.
7. **(Figura 4 o 5)** Monte el pasador de enganche (Y), dos espaciadores (U) y el pasador de horquilla de 1/8" (N) en las ménsulas de enganche.

Si el elemento de enganche de su tractor está a una altura de 13 o más pulgadas del piso, consulte la Figura 6. De otra manera proceda según lo indicado en la Figura 7.

8. **(Figura 6)** Mueva el tirante trasero de apoyo, que viene instalado en la parte de atrás de la barredora, a las perforaciones de abajo de las placas en los extremos de la barredora. Esto permitirá que la bolsa de la barredora quede sentada a nivel cuando la barredora se engancha a un tractor con el elemento de enganche alto.
9. **(Figura 7)** Monte la manija de ajuste de altura en el tubo de ajuste de altura, usando dos pernos de cabeza curva (C), arandelas arqueadas (L), arandelas de cierre (K), y tuercas hexagonales (H). **No apriete todavía**.
10. **(Figura 7)** Monte la empuñadura en la manija de ajuste de altura.
11. **(Figura 8)** Inserte un perno hexagonal (F) a través de la ménsula de ángulo. Monte en el perno (en orden) el buje espaciador (T), la banda de ajuste de altura, una arandela plana (J) y una tuerca de cierre (G). **Apriete**.
12. **(Figura 9)** Coloque la manija de ajuste de altura, lado a lado, de manera que los dientes de la arandela de seguridad (M) puedan acomodarse entre la manija y la banda de ajuste de altura. **Apriete** las tuercas que aseguran la manija de ajuste de altura.
13. **(Figura 9)** Inserte el perno de coche (E) a través de la manija de ajuste de altura. Monte en el perno, en orden, la arandela dentada de cierre (M), la banda de ajuste de altura, una arandela plana (J) y la perilla plástica.

## ARMADO DE LA BOLSA DE LA TOLVA

1. **(Figura 10)** Haga girar el tubo del respaldo de la tolva, de manera que los huecos taladrados en la mitad del tubo miren hacia abajo.
  2. **(Figura 11)** Inserte los dos tubos laterales superiores de la tolva, a través de los faldones cosidos con puntos a cada lado de la bolsa de la tolva.
  3. **(Figura 11)** Monte los extremos del tubo posterior de la tolva sobre los terminales de los tubos laterales de la parte superior de la tolva. Júntelos usando tapones plásticos (Z).
  4. **(Figura 12)** Voltee el segundo tubo trasero de la tolva, de manera que los huecos taladrados en la mitad del tubo queden mirando hacia arriba. Monte los extremos del tubo trasero de la tolva sobre los extremos de los tubos laterales de la parte inferior de la tolva. Júntelos usando tapones plásticos.
  5. **(Figura 13)** Coloque los tubos de la parte inferior de la tolva en el fondo de la bolsa de la tolva.
  6. **(Figura 13)** Fije los extremos de los tubos laterales inferiores de la tolva al interior de los tubos laterales superiores de la tolva, usando dos pasadores de grillete (P) insertados desde el interior, y dos pasadores de horquilla (O).
  7. **(Figura 14)** Inserte la varilla del marco de la bolsa dentro de la manga cosida, a lo largo del borde frontal del fondo de la bolsa.
  8. **(Figura 14)** Monte la varilla del marco de la bolsa en los tubos laterales inferiores de la tolva, usando dos pasadores de grillete (Q) y dos pasadores de horquilla (O).
  9. **(Figura 15)** Asegure las esquinas de la bolsa alrededor de los tubos laterales inferiores de la tolva, abrochando los faldones de la bolsa al fondo de la bolsa, a ambos lados.
- IMPORTANTE:** No curve demasiado las barras de soporte durante el siguiente paso. El curvado excesivo hará que las barras de acero pierdan su tensión de soporte.
10. **(Figura 16)** Incline la tolva sobre su respaldo para ensamblar las dos barras de soporte de la tolva. Coloque los extremos de cada barra dentro de los tubos superior e inferior en la parte trasera de la tolva, curvando la barra apenas lo suficiente para que encaje dentro de los huecos de los tubos.
  11. **(Figura 17)** (Figura 16) Ubique, tentando con la mano a lo largo de la tapa hilvanada de la tolva de lona, el agujero que se encuentra en cada uno de los tubos laterales, de arriba, de la tolva. Perfore un agujero a través de ambos lados de las cubiertas hilvanadas en el punto que corresponda a los agujeros de los tubos.
  12. **(Figura 18)** Inserte un pasador de grillete (S) a través del hueco en cada tubo lateral de la parte superior de la tolva. En seguida monte un tubo del brazo de la bolsa sobre cada pasador de grillete y asegúrelo con un pasador de horquilla (O).
  13. **(Figura 18)** Coloque una tapa de vinilo (V) en el extremo de cada tubo del brazo de la bolsa.
  14. **(Figura 19)** Asegure la cuerda a la parte superior del centro superior del marco de la bolsa de la tolva.
  15. **(Figura 20)** Para fijar la bolsa de la tolva en la barredora, inserte los extremos de los tubos del brazo de la bolsa dentro de los terminales de los tubos de enganche de la barredora y asegúrelos con dos pasadores de grillete (R) y pasadores de horquilla (O).



**COLOCACION DEL ENGANCHE DE LA BARREDORA EN EL TRACTOR. (Figuras 21, 22 y 23).**

1. Coloque el tractor y la barredora sobre una superficie plana y nivelada.
2. Gradúe la manija de ajuste de altura de la barredora alrededor de la mitad de su rango de ajuste.
3. Fije las ménsulas de enganche de la barredora al enganche del tractor, colocando los espaciadores de 3/4" de manera que el fondo de la bolsa de la barredora quede paralelo al suelo y los más nivelado como sea posible. Vea en la Figura 22 la forma en que quedan los enganches del tractor cuando están entre 28 y 33 cm por encima del suelo. Vea en la Figura 23 la forma en que quedan los enganches del tractor cuando se encuentran entre 20 y 28 cm sobre el suelo.

**IMPORTANTE:** Para un mejor desempeño, el fondo de la bolsa de la barredora debe quedar paralelo al suelo y lo más nivelado como sea posible. Deje una distancia mínima de 13 cm entre el fondo de la barredora y el suelo. Consulte la figura 21.

**OPERACION**

**AJUSTE DE LA ALTURA DEL CEPILLO**

Para ajustar los cepillos de su barredora en la mejor altura de operación, afloje la perilla de ajuste y presione hacia abajo sobre la palanca de ajuste de altura para levantar el cepillo. El mejor ajuste es cuando la graduación del cepillo está 1,2 cm por debajo de la superficie del prado, dentro del césped. Siempre corte el césped a una altura pareja, antes de barrer.

**VELOCIDAD DE BARRIDO**

Ensaye una velocidad inicial de aproximadamente 3 millas por hora (5km/hora) (tercera velocidad en la mayoría de los tractores). Dependiendo de las condiciones, puede ser necesario ajustar la velocidad de barrido, a fin de obtener los mejores resultados.

**VACIADO DE LA BARREDORA**

Su barredora se puede vaciar fácilmente sin necesidad de desenganchar el tractor o de que el operador se desmonte. Simplemente tire de la cuerda hacia adelante para vaciar la tolva. Siempre vacíe la tolva después de cada uso.



**PRECAUCION:** ¡Nunca amarre la cuerda de la tolva a ninguna parte de su cuerpo ni de su ropa! ¡Nunca se cuelgue de la cuerda mientras remolca la barredora! Amarre la cuerda al vehículo de remolque, manteniéndola alejada de las ruedas y de las partes giratorias.

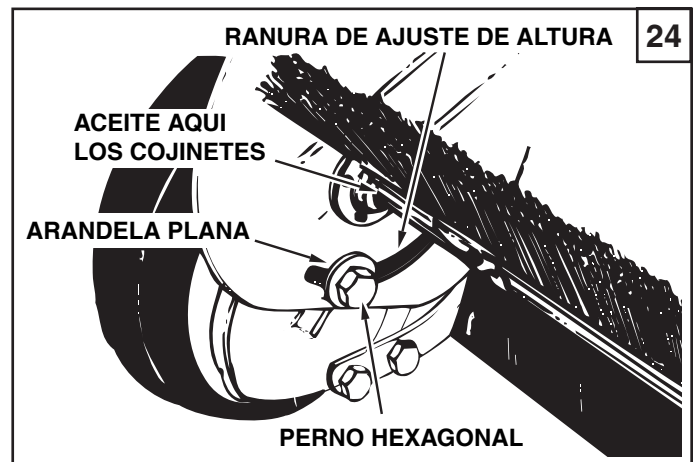


**PRECAUCION:** Mantenga la barredora lejos del fuego. El calor excesivo puede dañar los cepillos y la bolsa de la tolva, y puede hacer que la bolsa y su contenido se incendien.

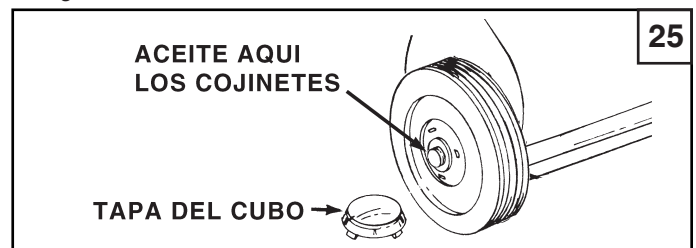
**MANTENIMIENTO**

**RESPONSABILIDADES DEL CLIENTE**

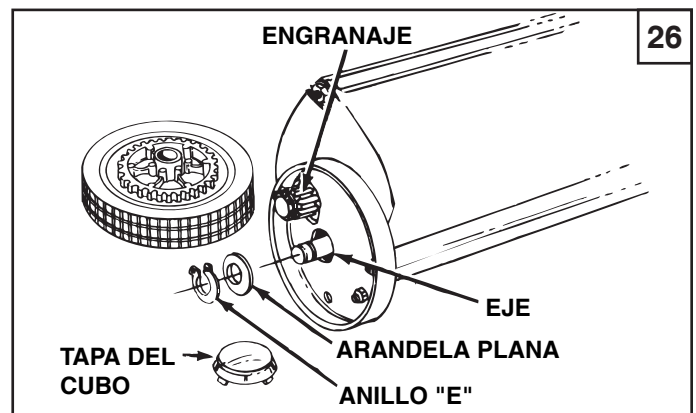
1. Verifique que no haya sujetadores o broches sueltos antes de usar la barredora.
2. Limpie la barredora después de cada uso.
  - a. Limpie la carcasa de la barredora con un cepillo suave o un trapo.
  - b. Limpie los residuos de la bolsa de la tolva con una escoba o con un cepillo.
  - c. Retire cualquier material que se haya enrollado alrededor de los cepillos o los terminales del eje del cepillo.
3. Inspeccione la máquina, buscando partes dañadas o gastadas, tales como cepillos y ruedas, antes de cada uso. Reemplace las piezas averiadas según sea necesario.
4. (Figura 24) Lubrique el cojinete o rodamiento del eje del cepillo dos veces al año, con unas pocas gotas de aceite liviano.



5. (Figura 25) Lubrique los cojinetes de las ruedas en cada temporada. Retire la tapa del cubo y aplique unas pocas gotas de aceite liviano.



6. (Figura 26) Cada dos años retire las ruedas y limpie los engranajes que se encuentran dentro de la carcasa de la rueda. Después de limpiarlos, lubríquelos con una capa pareja de grasa liviana.



## ALMACENAMIENTO



**PRECAUCION:** Antes de almacenar la barredora, desocupe siempre la bolsa de la tolva para evitar que ocurra una combustión espontánea.

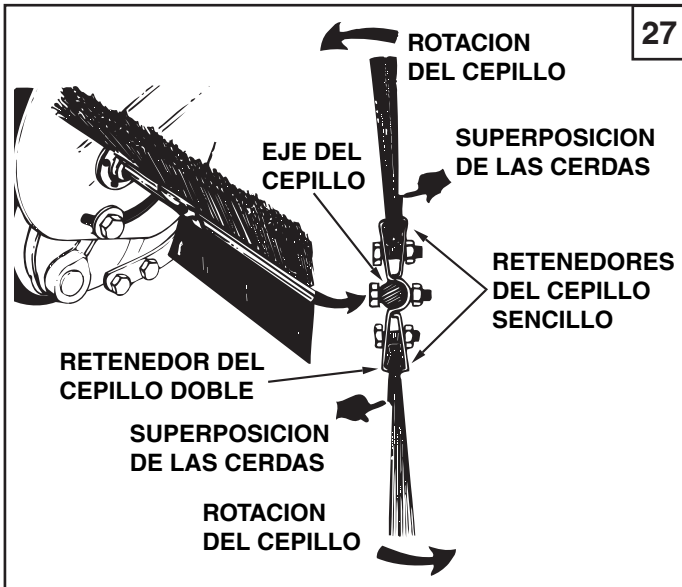
1. Limpie completamente la barredora y la bolsa de la tolva para ayudar a prevenir la oxidación y el moho.
2. Para doblar la bolsa de la tolva cuando se va a guardar, retire las dos barras de soporte de la tolva de la parte trasera de la misma.
3. Almacene la barredora en un área seca.

## SERVICIO Y AJUSTES

### CAMBIO DE CEPILLOS

**NOTA:** El cambio de cepillos deberá hacerse uno por uno.

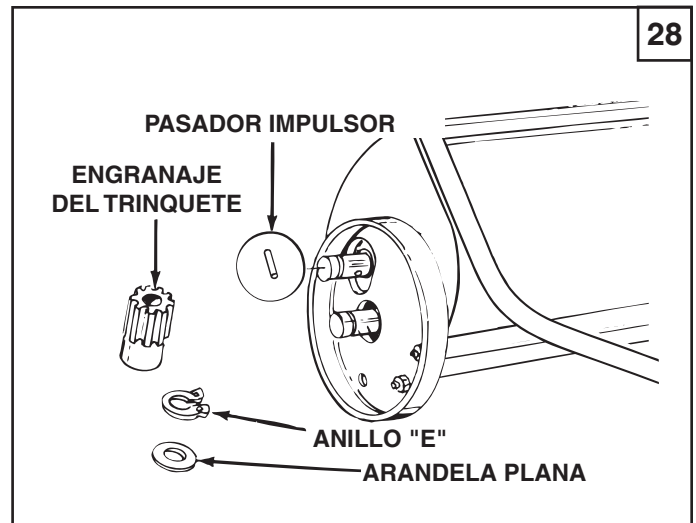
1. Retire la bolsa de la tolva de la barredora.
2. **(Figura 27)** Afloje los pernos hexagonales y las tuercas de cierre en los dos retenedores del cepillo sencillo, que sujetan un cepillo a los retenedores del cepillo doble. **No afloje** ni retire los pernos que fijan los retenedores del cepillo doble al eje del cepillo.
3. **(Figura 27)** Saque deslizándolo el cepillo de los retenedores, fijándose bien en qué lado del cepillo se superponen las cerdas.
4. **(Figura 27)** Instale el cepillo nuevo, asegurándose de que las cerdas se superpongan en el mismo lado del cepillo, como estaban antes.



## SERVICIO DEL ENGRANAJE DE LA RUEDA DENTADA Y DEL TRINQUETE

**IMPORTANTE:** No retire las dos ruedas al mismo tiempo, para evitar que sus partes se confundan. (Los engranajes del trinquete de mano derecha y de mano izquierda no son intercambiables). **Anote** la posición de las arandelas y de los anillos a presión cuando desarme el mecanismo.

1. **Baje únicamente una rueda** a la vez de la barredora.
2. Retire los anillos retenedores y las arandelas que sostienen el engranaje del trinquete sobre el eje del cepillo.
3. **(Figura 28)** Retire el engranaje deslizándolo fuera del eje del cepillo. (Tenga cuidado con el pasador impulsor, que puede caerse del eje del cepillo al remover el engranaje del trinquete).
4. Para volver a armar, inserte el pasador impulsor a través del hueco cerca del extremo del eje del cepillo. Asegúrese de que el pasador pueda deslizarse fácilmente hacia delante y hacia atrás sobre el eje.
5. Engrase ligeramente el eje y llene el engranaje del trinquete con grasa. Arme nuevamente el engranaje del trinquete sobre el eje.
6. Engrase ligeramente el eje y los dientes del engranaje en la rueda y luego monte la rueda de nuevo. Los cepillos deben girar **únicamente durante la rotación hacia delante de la rueda**. Si los cepillos giran tanto hacia adelante como hacia atrás con la rotación de la rueda en ambos sentidos, el pasador impulsor está atascado en el engranaje del trinquete. Desarme para limpiar y lubricar el pasador impulsor y el engranaje del trinquete.
7. Retire la segunda rueda y siga el mismo procedimiento.



## RESOLUCION DE PROBLEMAS

<p>Las ruedas patinan al barrer.</p>	<ol style="list-style-type: none"> <li>1. Los cepillos están graduados demasiado abajo</li> <li>2. Los cepillos están atascados</li> <li>3. Las ruedas están atascadas</li> </ol>	<ol style="list-style-type: none"> <li>1. Ajuste la altura hasta que los cepillos queden 1,2 cm dentro del césped</li> <li>2. Detenga la barredora. Retire la obstrucción</li> <li>3. Baje una rueda a la vez para buscar la obstrucción o daño. Consulte la Sección de Servicio y Ajustes.</li> </ol>
--------------------------------------	---	--

**SÉCURITÉ**

Tout appareil mécanique utilisé incorrectement peut être la cause de blessures. L'utilisateur doit bien en maîtriser le fonctionnement. Observez en tout temps la plus grande prudence lorsque vous utilisez un appareil mécanique.

1. Lisez les manuels du propriétaire du véhicule et de la balayeuse et apprenez à faire fonctionner votre véhicule et la balayeuse avant d'utiliser les outils de la balayeuse. Partagez toujours vos connaissances avec les autres utilisateurs avant qu'ils ne se servent de la balayeuse.
2. N'autorisez jamais des enfants à faire fonctionner la balayeuse.
3. Ne permettez à quiconque de se déplacer sur la balayeuse.
4. N'attachez jamais le cordage de la trémie à votre corps ou à vos vêtements ! Ne maintenez jamais le cordage en tractant la balayeuse ! Fixez le cordage au véhicule tracteur afin de l'éloigner des roues et des pièces en mouvement.
5. Faites fonctionner la balayeuse à petite vitesse sur les terrains cahoteux, à proximité de tranchées et sur des pentes afin d'éviter tout de perte de contrôle.
6. Le freinage et la stabilité du véhicule peuvent être compromis avec l'outil de cette balayeuse. Ne remplissez pas la balayeuse à sa capacité maximum sans vérifier la capacité du véhicule de traction à tirer et à s'arrêter en toute sécurité avec la balayeuse attachée. Éloignez-vous des pentes raides.
7. Arrêtez et inspectez le véhicule et la balayeuse à la recherche de détériorations après avoir heurté un objet. Réparez toutes les avaries avant de poursuivre le fonctionnement.
8. Éloignez la balayeuse de toute source d'inflammation. Une chaleur excessive peut endommager les brosses ainsi que le sac de récupération des débris et peut provoquer l'incendie du sac et de son contenu.
9. Avant d'entreposer la balayeuse, videz toujours le sac de récupération des débris afin d'éviter une combustion spontanée.
10. Appliquez les instructions de graissage et de maintenance conformément à la section Maintenance de ce manuel.



Ce symbole attire l'attention sur des mesures de sécurité importantes. Il signifie: «Attention, demeurez vigilant, votre sécurité en dépend.»

**TABLE DES MATIÈRES**

SÉCURITÉ .....	18
MONTAGE .....	19
FONCTIONNEMENT.....	20
MAINTENANCE .....	20
ENTREPOSAGE .....	21
ENTRETIEN ET RÉGLAGES .....	21
DÉPANNAGE .....	21
PIÈCES DE RECHANGE .....	22

**MONTAGE****OUTILS NÉCESSAIRES AU MONTAGE**

- (1) Couteau ou paire de ciseaux
- (2) Clés polygonale ou à fourche de 1/2 po.

Toutes les pièces mobiles sont présentées en page 2. Les organes de fixation dans les sacs de pièces sont présentés grandeur nature en page 3. Retirez l'emballage contenant la quincaillerie et toutes les pièces détachées du carton et vérifiez que toutes les pièces et organes de fixation présentés en pages 2 et 3 sont inclus.

## MONTAGE DE LA BALAYEUSE

**Remarque:** La droite et la gauche sont déterminées par rapport à la position de l'opérateur lorsqu'il est assis sur le tracteur.

**Remarque:** Les figures à propos du montage se trouvent sur les pages 5 à 10.

1. **(Figure 1)** Montez le support d'angle sur le bâti de la balayeuse en utilisant un boulon hexagonal (F) et un écrou de blocage (G). Assurez-vous que le support est orienté selon le dessin et parfaitement aligné avec le bâti avant de procéder au serrage.
2. Coupez l'attache en plastique qui maintient en place le tube de réglage de la hauteur.
3. **(Figure 2)** Assemblez le tube d'attelage droit au bâti de la balayeuse en utilisant deux boulons de carrosserie (D) et des écrous de blocage (G). Ne les serrez pas maintenant. Répétez l'opération pour le tube d'attelage gauche.
4. **(Figure 3)** Serrez ensemble les tubes d'attelage en utilisant deux boulons hexagonaux (A), des petites rondelles plates (I) et des écrous de blocage (G). Ne les serrez pas maintenant.

**Si l'attelage de votre tracteur possède une garde au sol comprise entre 28 et 33 cm, reportez-vous à la figure 4. Si ce dernier possède une garde au sol comprise entre 20 et 28 cm, reportez-vous à la figure 5.**

5. **(Figure 4 ou 5)** Assemblez les supports d'attelage aux tubes d'attelage en utilisant deux boulons hexagonaux (B) et des écrous de blocage (G). Les boulons doivent chevaucher le boulon du tube d'attelage avant. Ne les serrez pas maintenant.
6. Au cours de cette étape, vous pouvez serrer les quatre boulons de maintien des tubes d'attelage au bâti de la balayeuse. Serrez ensuite les deux boulons maintenant ensemble les extrémités des tubes d'attelage. Pour terminer, serrez les deux boulons maintenant les supports d'attelage aux tubes d'attelage.
7. **(Figure 4 ou 5)** Assemblez la cheville d'attelage (Y), deux entretoises (U) et la goupille fendue de 3 mm (N) aux supports d'attelage.

Si l'arrimage d'attelage du tracteur présente un espace de dégagement de 33 cm ou plus, reportez-vous à la figure 6, sinon passez directement à la figure 7.

8. **(Figure 6)** Placez le longeron de support arrière qui était déjà monté sur l'arrière de la balayeuse de gazon, sur les derniers trous des plaques de la balayeuse. Ceci permettra au sac de la balayeuse de demeurer à niveau lorsque la balayeuse est attelée au tracteur avec un arrimage plus haut.
9. **(Figure 7)** Assemblez la poignée de réglage de la hauteur au tube de réglage de hauteur en utilisant deux boulons à tête ronde (C), des rondelles bombées (L), des rondelles de blocage (K) et des écrous hexagonaux (H). Ne les serrez pas maintenant.
10. **(Figure 7)** Assemblez le système de préhension dans la poignée de réglage de la hauteur.
11. **(Figure 7)** Insérez un boulon hexagonal (F) à travers le support d'angle. Assemblez sur le boulon (dans l'ordre) la bague de l'entretoise (T), l'étrier de réglage de la hauteur, une rondelle plate (J) et un écrou de blocage (G). Vous pouvez procéder au serrage.
12. **(Figure 9)** Positionnez la poignée de réglage de la hauteur côte à côte de sorte que la rondelle à denture (M) s'adapte entre la poignée et l'étrier de réglage de la hauteur. Serrez les écrous maintenant la poignée de réglage de la hauteur.

13. **(Figure 9)** Insérez le boulon de carrosserie (E) à travers la poignée de réglage de la hauteur. Assemblez sur le boulon (dans l'ordre) la rondelle à denture (M), l'étrier de réglage de la hauteur, une rondelle plate (J) et le bouton en plastique.

## ASSEMBLAGE DU SAC DE RÉCUPÉRATION DES DÉBRIS

1. **(Figure 10)** Faites tourner un des tubes arrière de trémie de sorte que les trous d'arrimage au milieu du tube regardent vers le bas.
2. **(Figure 11)** Insérez les deux tubes latéraux supérieurs de la trémie à travers les panneaux cousus de chaque côté du sac de récupération des débris.
3. **(Figure 11)** Assemblez les extrémités du tube arrière de la trémie dans les extrémités des tubes latéraux supérieurs de la trémie. Serrez-les en utilisant les bouchons en plastique (Z).
4. **(Figure 12)** Faites tourner le deuxième tube arrière de trémie de sorte que les trous d'arrimage au milieu du tube regardent vers le haut. Assemblez les extrémités du tube arrière de la trémie dans les extrémités des tubes latéraux inférieurs de la trémie. Serrez-les en utilisant les bouchons en plastique.
5. **(Figure 13)** Placez les tubes arrière inférieurs assemblés de la trémie dans la partie inférieure du sac de récupération des débris.
6. **(Figure 13)** Attachez les extrémités des tubes latéraux inférieurs de la trémie à l'intérieur des tubes latéraux supérieurs de la trémie en utilisant deux broches (P) insérées depuis l'intérieur ainsi que deux goupilles fendues (O).
7. **(Figure 14)** Insérez la bride du cadre du sac dans le manchon cousu le long du bord avant de la partie inférieure du sac.
8. **(Figure 14)** Assemblez la bride du cadre du sac aux tubes latéraux inférieurs de la trémie à l'aide de deux broches (Q) des goupilles fendues (O).
9. **(Figure 15)** Fixez les coins du sac autour des tubes latéraux inférieurs de la trémie en utilisant les boutons-pression des rabats du sac de part et d'autre de la partie inférieure de ce dernier.

**IMPORTANT:** Ne cintrez pas à l'excès les tiges de support au cours des étapes suivantes. Ceci pourrait provoquer une perte de la tension de support des tiges en acier.

10. **(Figure 16)** Inclinez la trémie dans sa partie arrière afin d'assembler les deux tiges de support de la trémie. Placez les extrémités de chaque tige dans les tubes inférieurs et supérieurs arrière de la trémie, en courbant juste suffisamment la tige pour qu'elle pénètre dans les trous des tubes.
11. **(Figure 17)** Recherchez en tâtant, le long du rabat piqué de la trémie afin de trouver le trou de chaque tube supérieur latéral de la trémie. Faites un trou dans les deux côtés des rabats piqués en les alignant avec le trou inférieur.
12. **(Figure 18)** Insérez une goupille (S) dans le trou de chaque tube latéral supérieur de la trémie. Assemblez ensuite le tube du bras du sac avec chaque goupille en le fixant avec une goupille fendue (O).
13. **(Figure 18)** Insérez un bouchon en vinyle (V) à l'extrémité de chaque tube du bras du sac.
14. **(Figure 19)** Attachez le cordage en partie centrale supérieure du bâti du sac de récupération des débris.
15. **(Figure 20)** Pour assembler le sac de récupération des débris, faites glisser les extrémités et des tubes du bras du sac dans les extrémités des tubes de l'attelage de la balayeuse, et assurez son maintien avec deux goupilles (R) et des goupilles fendues (O).



**FIXATION DE L'ATTELAGE DE LA BALAYEUSE AU**

**TRACTEUR (Figures 21, 22, 23)**

1. Placez le tracteur et la balayeuse sur une surface de niveau.
2. Positionnez la poignée de réglage de la hauteur de la balayeuse à environ mi-course.
3. Attachez les supports d'attelage de la balayeuse à l'attelage du tracteur, en positionnant les entretoises de 3/4 po. de sorte que le fond du sac de la balayeuse soit de niveau le plus possible par rapport au sol. Reportez-vous à la figure 22 concernant les attelages de tracteurs se trouvant entre 28 et 35 cm au-dessus du sol. Reportez-vous à la figure 23 concernant les attelages de tracteurs se trouvant entre 20 et 28 cm au-dessus du sol.

**IMPORTANT:** Afin de bénéficier des meilleures performances, la partie inférieure du sac de la balayeuse doit être de niveau le plus possible par rapport au sol. Laissez un espace de dégagement minimum de 13 cm entre le fond du sac de la balayeuse et le sol. Reportez-vous à la figure 21.

**FONCTIONNEMENT**

**RÉGLAGE DE LA HAUTEUR DE LA BROSSE**

Pour régler les brosses de la balayeuse à la hauteur de fonctionnement adéquate, desserrez le bouton de réglage et abaissez le levier de réglage de la hauteur afin de soulever la brosse. La brosse se trouvant à 1,2 cm dans l'herbe correspond au meilleur réglage. Vous devez toujours tondre l'herbe à une hauteur régulière avant de procéder au balayage.

**VITESSE DE BALAYAGE**

Essayez une vitesse de 3 miles/h (5 km/h) environ pour commencer (troisième vitesse de la plupart des tracteurs). En fonction des conditions, il peut s'avérer nécessaire de régler la vitesse de balayage afin d'obtenir les meilleurs résultats possibles.

**COMMENT VIDER LA BALAYEUSE**

Votre balayeuse peut-être facilement vidée sans descendre du tracteur. Tirez simplement sur le cordage afin de vider la trémie. Videz toujours la trémie après chaque utilisation.



**ATTENTION: N'attachez jamais** le cordage de la trémie à votre corps ou à vos vêtements ! **Ne tenez jamais** le cordage en tractant la balayeuse ! **Fixez le cordage** au véhicule tracteur afin de l'éloigner des roues et des pièces en mouvement.

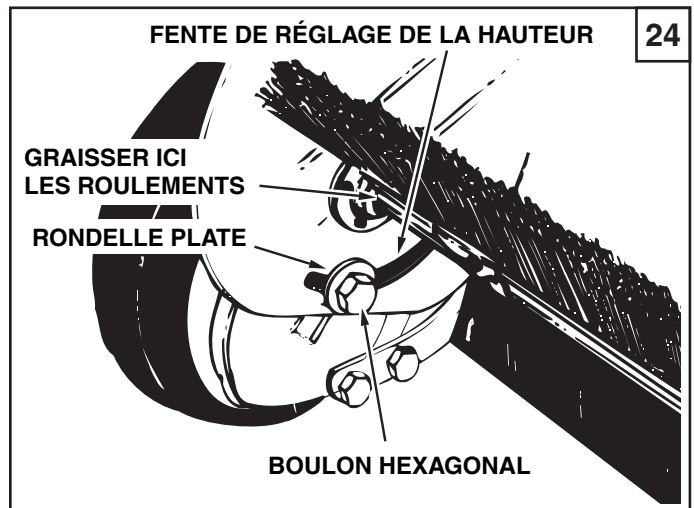


**ATTENTION:** Éloignez la balayeuse de toute source d'inflammation. Une chaleur excessive peut endommager les brosses ainsi que le sac de récupération des débris et peut provoquer l'incendie du sac et de son contenu.

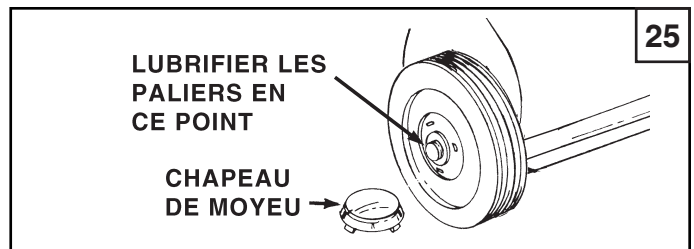
**MAINTENANCE**

**RESPONSABILITÉS DU CLIENT**

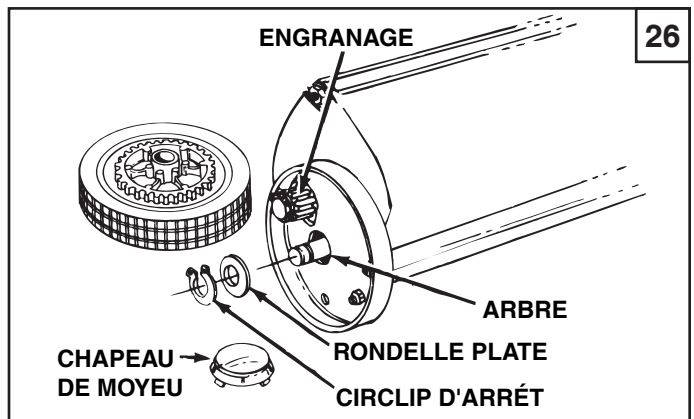
1. Vérifiez que les organes de fixation sont serrés avant chaque utilisation.
2. Nettoyez la balayeuse après chaque utilisation.
  - a. Nettoyez le bâti de la balayeuse avec une brosse souple ou avec un chiffon.
  - b. Nettoyez les débris du sac de récupération avec une brosse ou avec un balai.
  - c. Éliminez les débris pouvant s'être enroulés autour des brosses ou aux extrémités de l'axe de ces dernières
3. Vérifiez l'absence d'usure ou de pièces endommagées, comme les brosses ou les roues avant chaque utilisation. Procédez aux besoins à leur remplacement.
4. **(Figure 24)** Graissez les roulements de l'axe de la brosse deux fois par an avec quelques gouttes d'une huile légère.



5. **(Figure 25)** Graissez les roulements de roues chaque saison. Déposez le capuchon de moyeu et appliquez quelques gouttes d'une huile légère.



6. **(Figure 26)** Tous les deux ans, démontez les roues et nettoyez les engrenages se trouvant à l'intérieur du boîtier des roues. Après nettoyage, graissez les engrenages avec une graisse légère uniformément répartie.



## ENTREPOSAGE



**ATTENTION** Avant d'entreposer la balayeuse, videz toujours le sac de récupération des débris afin d'éviter une combustion spontanée.

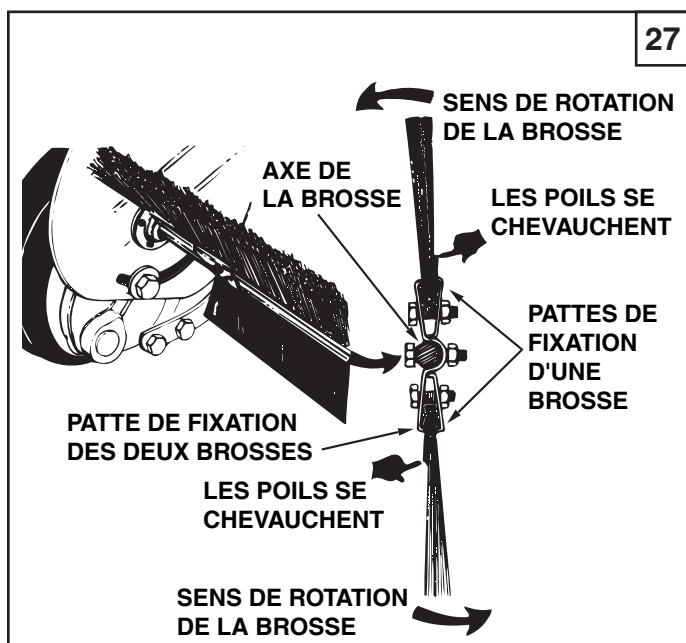
1. Nettoyez la balayeuse et la trémie parfaitement afin de prévenir la rouille et la moisissure.
2. Pour plier le sac de récupération des débris en vue de son entreposage, démontez les deux tiges de support situées à l'arrière de la trémie.
3. Entrez dans un endroit sec.

## ENTRETIEN ET RÉGLAGES

### REPLACEMENT DES BALAIS

**REMARQUE:** Le remplacement des balais doit s'effectuer un à la fois.

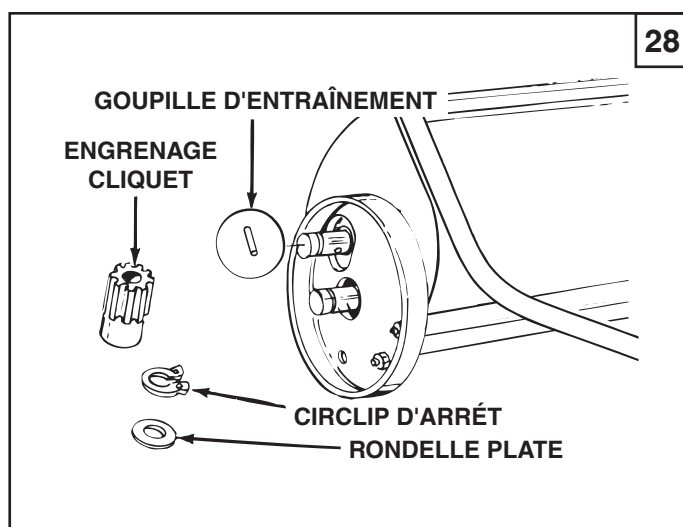
1. Démontez le sac de récupération des débris de la balayeuse.
2. **(Figure 27)** Desserrez les boulons hexagonaux et les écrous de blocage sur les deux pattes de fixation qui maintiennent une seule brosse sur le système retenant les deux brosses. **NE DESSERREZ ni ne démontez les boulons qui maintiennent le système de retenue des deux brosses sur l'axe des brosses.**
3. **(Figure 27)** Faites glisser la brosse en dehors des pattes de fixation en notant le côté de la brosse sur lequel se chevauchent les poils.
4. **(Figure 27)** Installez une nouvelle brosse en vous assurant que les poils se chevauchent du même côté de la brosse qu'auparavant.



## ENTRETIEN DES ENGRENAGES DES ROUES ET DU CRABOT

**IMPORTANT: NE DÉMONTÉZ PAS** les deux roues simultanément afin d'éviter d'intervir des pièces. (Les engrenages droit et gauche des roues à cliquet ne sont pas interchangeables.) Prenez note de la position des rondelles et des anneaux à ressort pendant le démontage.

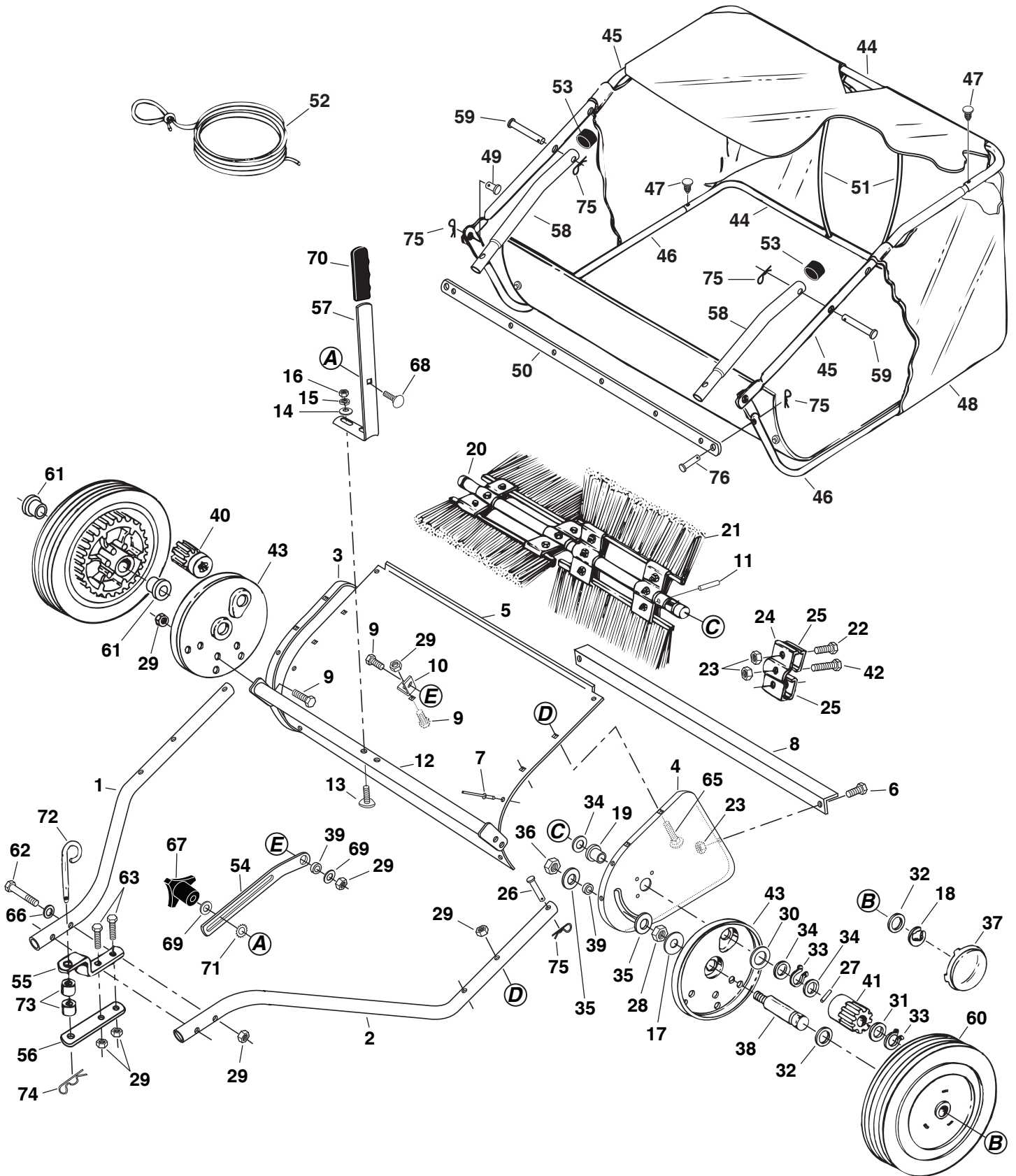
1. Démontez **seulement une** roue à la fois.
2. Déposez les anneaux de retenue et les rondelles qui maintiennent l'engrenage à cliquet sur l'axe des balais.
3. **(Figure 28)** Déposez l'engrenage en le faisant glisser en dehors de l'axe de la brosse. (Prenez garde à la goupille d'entraînement qui peut tomber de l'axe de la brosse lors du retrait de l'engrenage à cliquet.)
4. Pour procéder au remontage, insérez la goupille d'entraînement à travers le trou à proximité de l'extrémité de l'axe de la brosse. Assurez-vous que la broche glisse facilement de part et d'autre sur l'axe.
5. Graissez légèrement l'axe ainsi que l'engrenage à cliquet. Remontez l'engrenage à cliquet sur l'axe.
6. Graissez légèrement l'axe et la denture de l'engrenage sur la roue avant de procéder à son remontage. Les brosses doivent **seulement** tourner pendant la rotation vers l'avant de la roue. Si les brosses sont entraînées (en rotation) aussi bien lors de la rotation en marche avant qu'en marche arrière de la roue, la goupille d'entraînement se trouve coincée dans l'engrenage à cliquet. Démontez l'ensemble pour nettoyer et graisser la goupille d'entraînement ainsi que l'engrenage à cliquet.
7. Démontez la deuxième roue et répétez la procédure.



## GUIDE DE DÉPANNAGE

<p>Les roues patinent pendant le balayage.</p>	<ol style="list-style-type: none"> <li>1. Les brosses sont réglées trop bas.</li> <li>2. Les brosses sont coincées.</li> <li>3. Les roues sont coincées.</li> </ol>	<ol style="list-style-type: none"> <li>1. Réglez la hauteur jusqu'à ce que les brosses se trouvent à 1,2 cm dans l'herbe.</li> <li>2. Arrêt de la balayeuse. Éliminez l'obstruction.</li> <li>3. Démontez une roue à la fois afin de vérifier la présence d'une obstruction ou d'une détérioration. Reportez-vous à la section Entretien et réglages.</li> </ol>
--	---	--

# REPAIR PARTS FOR MODEL 45-03371 30" LAWSWEEPER





## REPAIR PARTS FOR MODEL 45-03371 30" LAWN SWEEPER

REF	PART NO	QTY	DESCRIPTION	REF	PART NO	QTY	DESCRIPTION
1	40610	1	Hitch Tube, R.H.	40	43886	1	Gear, Pinion R.H. (not shown)
2	40611	1	Hitch Tube, L.H.	41	43885	1	Gear, Pinion L.H.
3	24950	1	End Plate, R.H.	42	43661	4	Bolt, Hex 1/4-20 x 1" Lg.
4	24951	1	End Plate, L.H.	43	25102	2	Dust Cover
5	24989	1	Wrapper	44	48471	2	Tube, Hopper Frame (Rear)
6	43175	2	Bolt, Hex 1/4-20 x 1/2" Lg.	45	48467	2	Tube, Upper Hopper Frame (Front)
7	C-9M5732	6	Rivet, Pop	46	48728	2	Tube, Lower Hopper Frame (Front)
8	23887	1	Brace, Rear Support	47	48402	4	Plastic Plug
9	43182	6	Bolt, Hex 5/16-18 x 3/4"	48	48396	1	Hopper Bag
10	23826	1	Bracket, Angle	49	48366	2	Clevis Pin, 3/8" x 1/2"
11	43851	2	Roll Pin, 3/16" x 1-1/4"	50	23870	1	Strap, Bag Frame
12	64588	1	Height Adjustment Tube Assembly	51	43926	2	Rod, Hopper Support
13	44947	2	Bolt, Cvd. Hd. 5/16-18 x 1-5/8" Lg.	52	43737	1	Hopper Rope
14	44695	2	Washer, Bowed 1" x .32" x .06"	53	44481	2	Cap, Vinyl
15	43086	2	Lock Washer, 5/16"	54	24979	1	Strap, Height Adjustment
16	43083	2	Nut, Hex 5/16-18 Thread	55	23687	1	Bracket, Hitch
17	R19131316	2	Washer, .8175 x 1.5 x .06	56	24192	1	Bracket, Hitch (Straight)
18	716-0106	2	Ring, Retaining 5/8"	57	23850	1	Handle, Height Adjustment
19	44909	2	Bushing, Brush Shaft	58	40620	2	Tube, Bag Arm
20	23567	1	Brush Shaft	59	43513	2	Pin, Clevis 3/8" x 3"
21	43902	4	Brush	60	44930	2	Wheel & Tire Ass'y. (with bearings)
22	43012	8	Bolt, Hex 1/4-20 x 3/4" Lg.	61	741-0249	4	Wheel Bearing
23	47189	14	Nut, Nylock 1/4-20 Thread	62	44292	2	Bolt, Hex 5/16-18 x 2-1/2" Lg.
24	23580	4	Retainer, Brush (Double)	63	44180	2	Bolt, Hex 5/16-18 x 2" Lg.
25	23581	8	Retainer, Brush (Single)	64	43070	2	Washer, 3/8" Std. Wrt.
26	46867	2	Clevis Pin, 1/4" x 1-3/4" Lg.	65	43681	4	Bolt, Carriage 5/16-18 x 1-1/2"
27	47046	2	Dowel Pin (Drive)	66	R19111116	2	Washer, Flat (5/16) 11/32" x 11/16"
28	44684	2	Jam Nut, 3/8-24 Thread	67	43720	1	Knob, Wing 5/16-18 Thread
29	47810	14	Nut, Nylock 5/16-18 Thread	68	44326	1	Bolt, Carriage 5/16-18 x 1" Lg.
30	1540-31	2	Washer, Flat .78" x 1.25" x .062"	69	43081	2	Washer, Flat 5/16" Std. Wrt.
31	44006	2	Washer, Flat .849" x .598" x .025"	70	43943	1	Grip, Height Adjust
32	44125	4	Washer, Flat .62" x 1.00"	71	44732	1	Washer, Tooth Lock 5/16"
33	1650-21	4	Ring, Retaining .594"	72	23353	1	Pin, Hitch
34	44007	6	Washer, Shim 1-1/8" x .594" x .025"	73	23368	2	Tube, Hitch Spacer
35	141	4	Washer, Flat 1-1/2" x .375" x .062"	74	43343	1	Hairpin Cotter, 1/8" #4
36	1038	2	Nut, Nylock 3/8-24 Thread	75	43055	8	Hairpin Cotter, 3/32" #3
37	2674-32	2	Hub Cap	76	48365	2	Clevis Pin, 1/4" x 1-1/8"
38	44598	2	Axle		40633	1	Owners Manual
39	23400	3	Bushing, Spacer				

**SpeedPart** *the fastest way to purchase parts* [www.speedpart.com](http://www.speedpart.com)

***SpeedEPart*** *the fastest way to purchase parts* [www.speedepart.com](http://www.speedepart.com)

**REPAIR PARTS**

Agri-Fab, Inc.  
303 West Raymond  
Sullivan, IL. 61951  
217-728-8388  
[www.agri-fab.com](http://www.agri-fab.com)