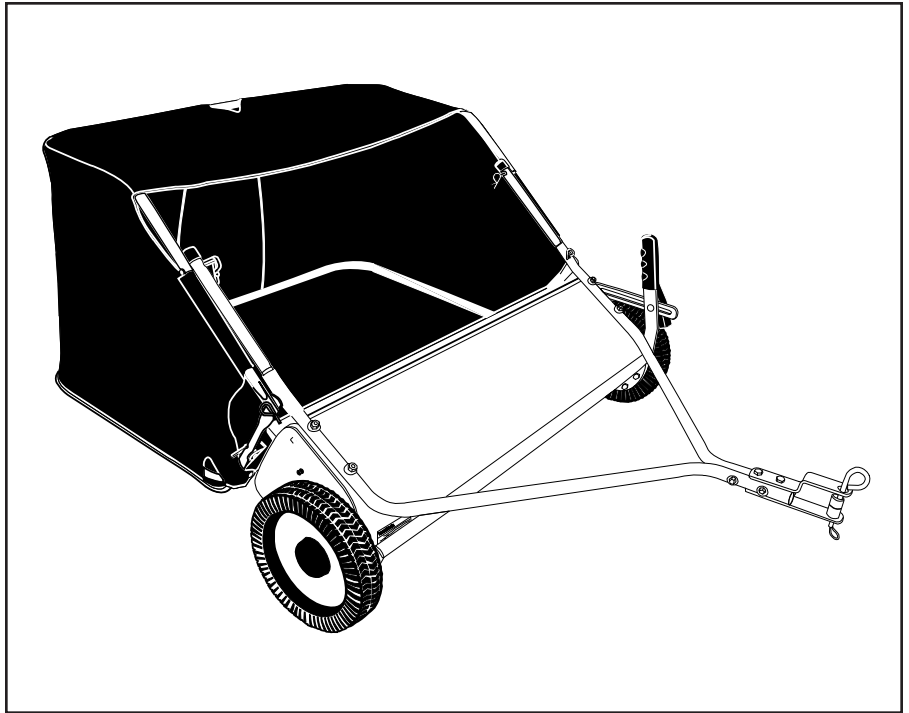




**OWNERS MANUAL
MANUAL DEL USUARIO
NOTICE D'UTILISATION**

**Model No.
Modelo No.
Modèle No.**

45-03201



**42" LAWSWEEPER
BARREDORA DE CESPED DE 106 cm
BALAYEUSE DE PELOUSE 106 cm**

CAUTION:
Read Rules for
Safe Operation
and Instructions
Carefully

PRECAUCION:
Lea cuidadosamente
los Procedimientos e
Instrucciones para la
Operación Segura de la
Máquina.

ATTENTION:
Lire et suivre attentivement
les instructions et
consignes de sécurité de
cette notice.

- Safety
- Assembly
- Operation
- Maintenance
- Parts

- Seguridad
- Montaje
- Operación
- Mantenimiento
- Piezas de Repuesto

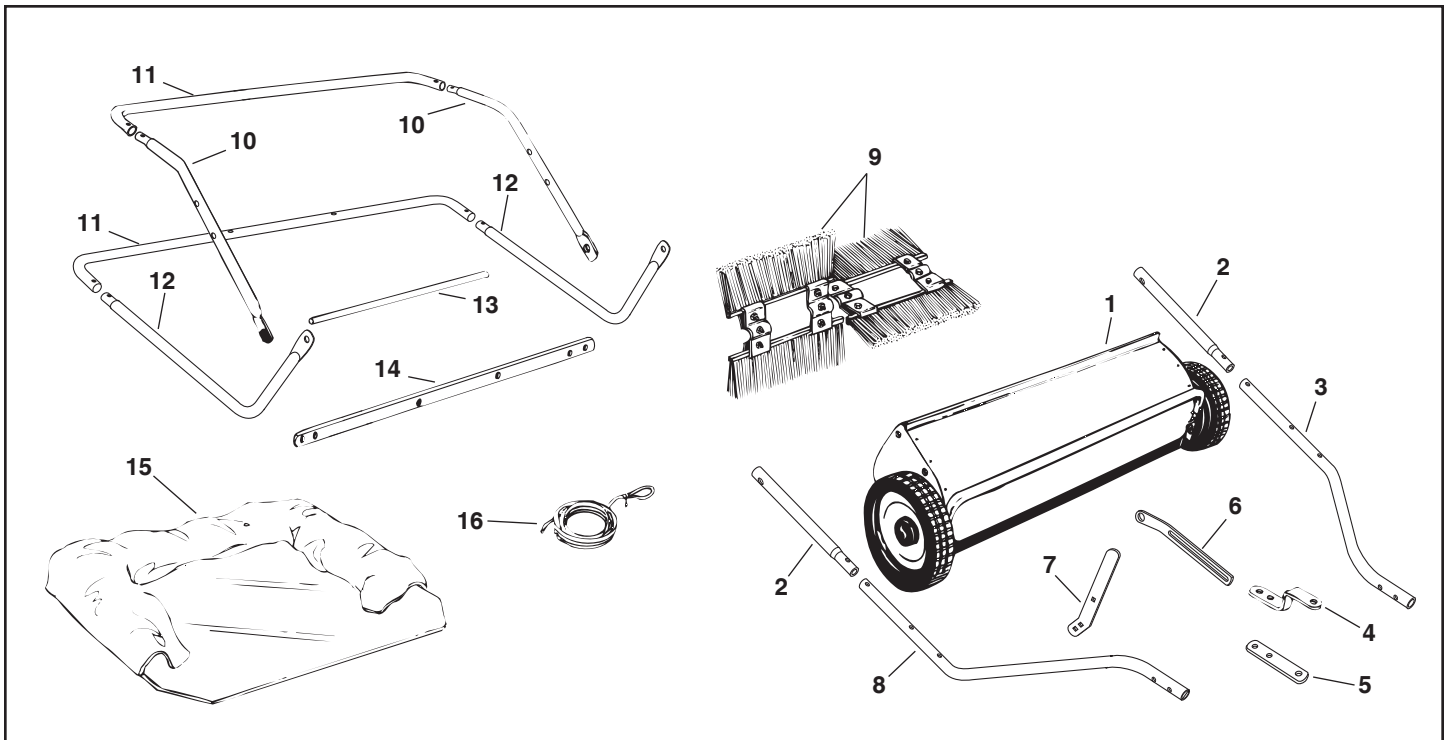
- Sécurité
- Assemblage
- Fonctionnement
- Maintenance
- Pièces de Rechange

SpeedEPart *the fastest way to purchase parts* www.speedepart.com

CARTON CONTENTS (Loose Parts in Carton)

CONTENIDO DE LA CAJA (Partes Sueltas en la Caja)

CONTENU DU CARTON (Pièces en Vrac Dans le Carton)



ENGLISH

1. Sweeper Housing Assembly
2. Bag Arm Tube (2)
3. Hitch Tube, L.H.
4. Hitch Bracket
5. Hitch Bracket (Straight)
6. Height Adjustment Strap
7. Height Adjustment Handle
8. Hitch Tube, R.H.
9. Brush Assembly (2)
10. Upper Hopper Side Tube (2)
11. Rear Hopper Tube (2)
12. Lower Hopper Side Tube (2)
13. Hopper Support Rod (2)
14. Bag Frame Strap
15. Hopper Bag
16. Rope

ESPAÑOL

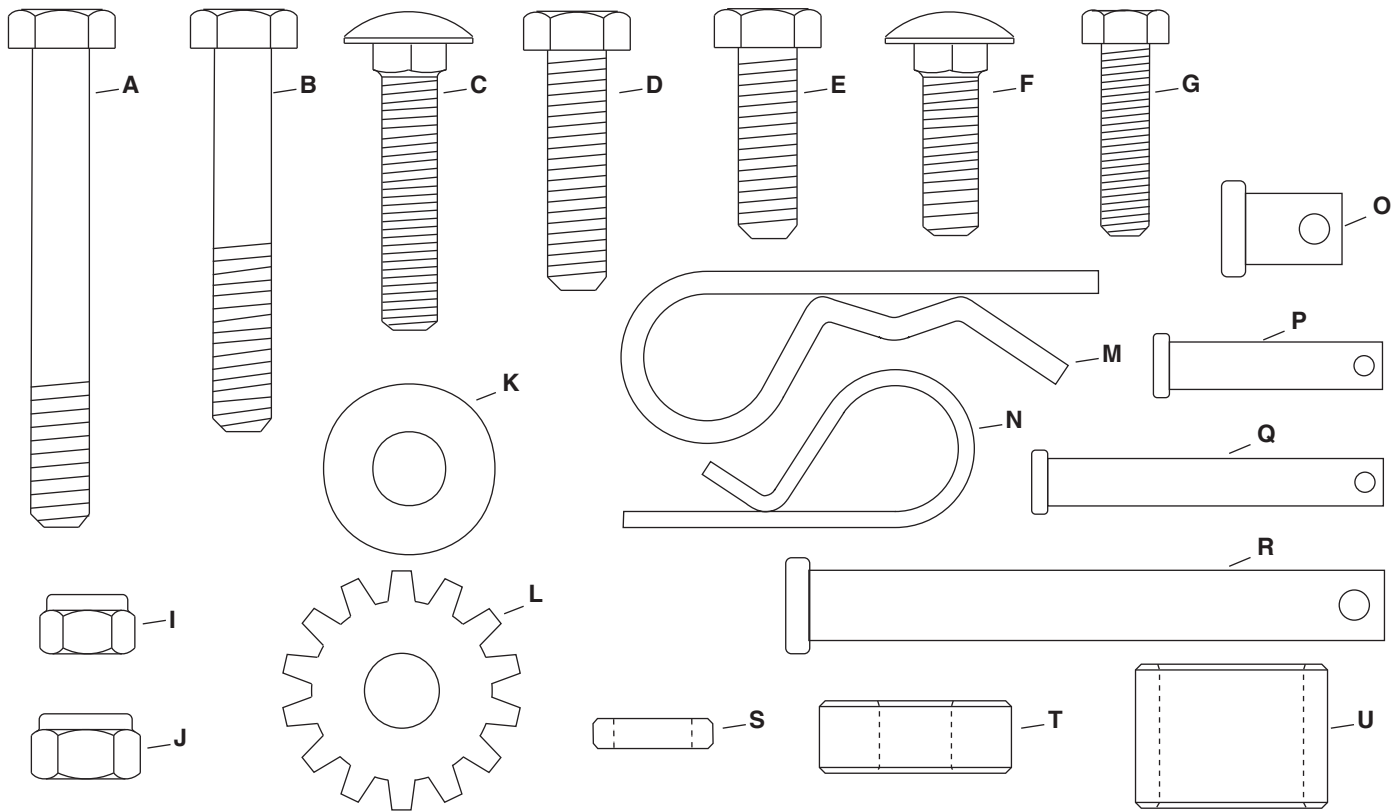
1. Conjunto de Carcaza de la Barredora
2. Brazo del Tubo de la Bolsa (2)
3. Tubo de Enganche (Mano Izquierda)
4. Ménsula de Enganche
5. Ménsula de Enganche (Recta)
6. Barra de Ajuste de Altura
7. Manija de Ajuste de Altura
8. Tubo de Enganche (Mano Derecha)
9. Conjunto de Cepillo (2)
10. Tubo Lateral de la Parte Superior de la Tolva (2)
11. Tubo de la Parte Posterior de la Tolva (2)
12. Tubo Lateral de la Parte Inferior de la Tolva (2)
13. Barra de Soporte de la Tolva (2)
14. Varilla del Marco de la Bolsa
15. Bolsa de la Tolva
16. Cuerda

FRANÇAIS

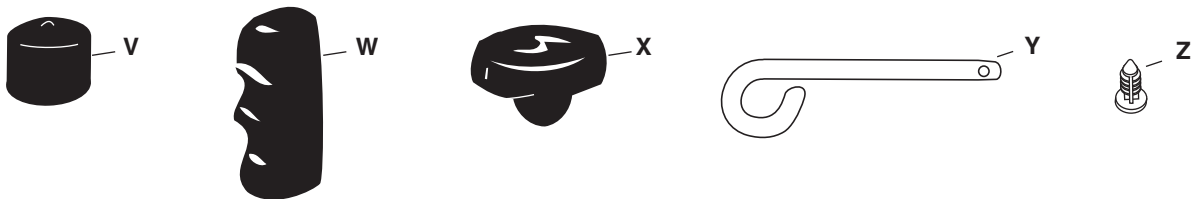
1. Bâti de la balayeuse
2. Tube du bras du sac (2)
3. Tube d'attelage, côté droit
4. Support de l'attelage
5. Support de l'attelage, droit
6. Étrier de réglage de la hauteur
7. Manche de réglage de la hauteur
8. Tube d'attelage, côté droit.
9. Brosses (2)
10. Tube latéral supérieur de la trémie (2)
11. Tube arrière de la trémie (2)
12. Tube latéral inférieur de la trémie (2)
13. Tiges de support de la trémie (2)
14. Bride du cadre du sac
15. Sac de récupération des débris
16. Cordage

ENGLISH

SHOWN FULL SIZE



NOT SHOWN FULL SIZE



REF	QTY	DESCRIPTION	REF	QTY	DESCRIPTION
A	2	Hex Bolt, 5/16 x 2-1/2" Lg.	O	2	Clevis Pin, 3/8" x 1/2"
B	2	Hex Bolt, 5/16 x 2" Lg.	P	2	Clevis Pin, 1/4" x 1-1/8"
C	4	Carriage Bolt, 5/16" x 1-1/2"	Q	2	Clevis Pin, 1/4" x 1-3/4"
D	1	Hex Bolt, 5/16 x 1-1/4" Lg.	R	2	Clevis Pin, 3/8" x 3"
E	2	Hex Bolt, 5/16" x 1"	S	1	Pivot Bushing
F	1	Carriage Bolt, 5/16" x 1"	T	1	Spacer Bushing
G	4	Hex Bolt, 1/4" x 1"	U	2	Hitch Spacer, 3/4"
I	4	Nylock Nut, 1/4"	V	2	Vinyl Cap
J	11	Nylock Nut, 5/16"	W	1	Grip
K	4	Flat Washer, 5/16"	X	1	Knob, Plastic
L	1	Star Washer	Y	1	Hitch Pin
M	1	Hair Cotter Pin, 1/8"	Z	4	Plastic Plug
N	8	Hair Cotter Pin, 3/32"			

SAFETY RULES

Remember, any power equipment can cause injury if operated improperly or if the user does not understand how to operate the equipment. Exercise caution at all times when using power equipment.

1. Read the vehicle and sweeper owners manuals and know how to operate your vehicle and sweeper before using this sweeper attachment. Always instruct other users before they operate the sweeper.
2. Do not permit children to operate sweeper.
3. Do not permit anyone to ride on sweeper.
4. Never attach the hopper rope to any part of your body or clothing! Never hold onto the rope while towing the sweeper! Attach the rope to the towing vehicle to keep it away from wheels and rotating parts.
5. Operate the sweeper at reduced speed on rough terrain, near ditches and on hillsides to prevent loss of control.
6. Vehicle braking and stability may be affected with the attachment of this sweeper. Do not fill sweeper to maximum capacity without checking the capability of the towing vehicle to safely pull and stop with the sweeper attached. **Stay off of steep slopes.**
7. Stop and inspect vehicle and sweeper for damage after striking an object. Repair any damage before continuing operation.
8. Keep sweeper away from fire. Excessive heat can damage the brushes and hopper bag and could cause the bag and its contents to burn.
9. Before storing the sweeper, always empty the hopper bag to avoid spontaneous combustion.
10. Follow maintenance and lubrication instructions as outlined in the maintenance section of this manual.



Look for this symbol to point out important safety precautions. It means – **Attention!!**
Become alert!! Your safety is involved.

ASSEMBLY

TOOLS REQUIRED FOR ASSEMBLY

- (2) 7/16" Open End or Box End Wrenches
- (2) 1/2" Open End or Box End Wrenches

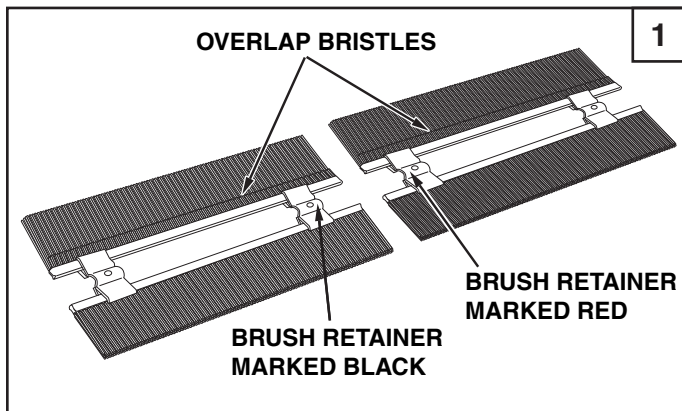
All loose parts are shown on page 2. Fasteners in the parts bag are shown full size on page 3.

Remove the hardware pack and all loose parts from the carton and verify that all the parts and fasteners shown on pages 2 and 3 are included.

ASSEMBLY OF SWEEPER

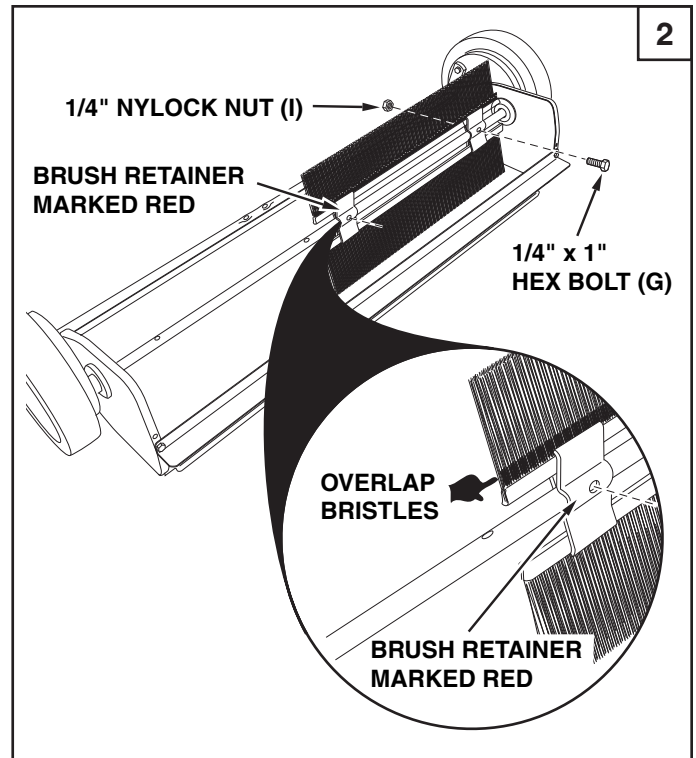
Note: Right hand (R.H.) and left hand (L.H.) are determined from the operator's position while seated on the tractor.

1. **(Figure 1)** Each brush assembly has one brush retainer marked with either red or black ink. Lay out the brush assemblies as shown so that the brush retainers marked with ink are in the middle with the red one on the right and the black one on the left.



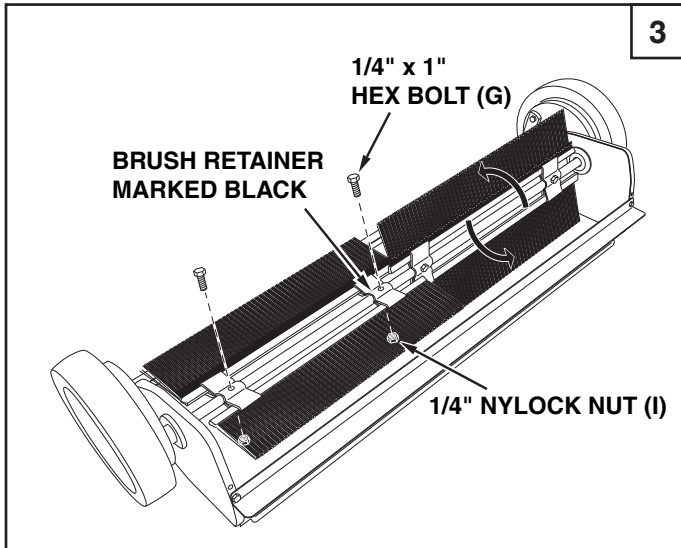
IMPORTANT: The overlap bristles at the bottom of each brush help support the back side of the brush for better sweeper performance. Be sure the sweeper is turned as shown in figures 2 and 3 to correctly assemble the brushes.

2. **(Figure 2)** Attach the brush assembly with the red brush retainer to the right end of the brush shaft using two 1/4" x 1" hex bolts (G) and 1/4" nylock nuts (I). The brush retainer marked with red ink must be placed to the **middle** of the sweeper.

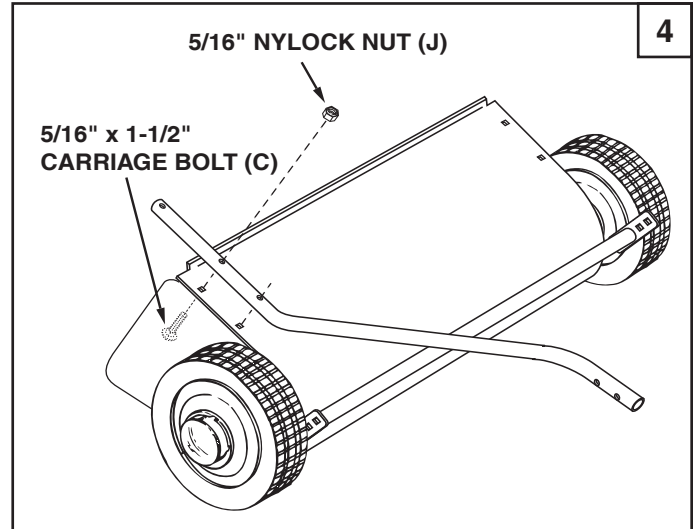


ENGLISH

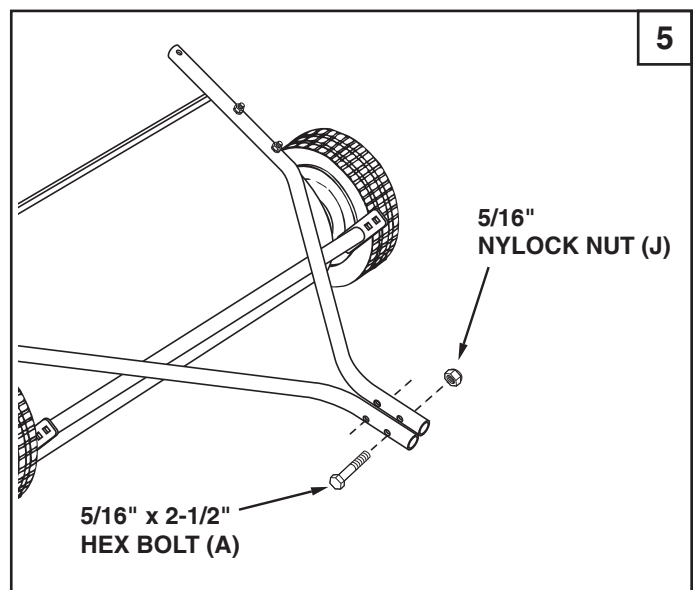
- (Figure 3)** Attach the brush assembly with the black brush retainer to the left end of the brush shaft using two 1/4" x 1" hex bolts (G) and 1/4" nylock nuts (I). The brush retainer marked with black ink must be placed to the **middle** of the sweeper.
- (Figure 3)** Turn a wheel to rotate the brushes. (The wheels drive the brushes in one direction only.) The overlap bristles should be on the back side of the brush as it rotates.



- Cut off the plastic tie that holds the height adjustment tube in place.
- (Figure 4)** Assemble the R.H. hitch tube to the sweeper housing using two 5/16" x 1-1/2" carriage bolts (C), and two 5/16" nylock nuts (J). **Do not tighten yet.** Repeat for the L.H. hitch tube.



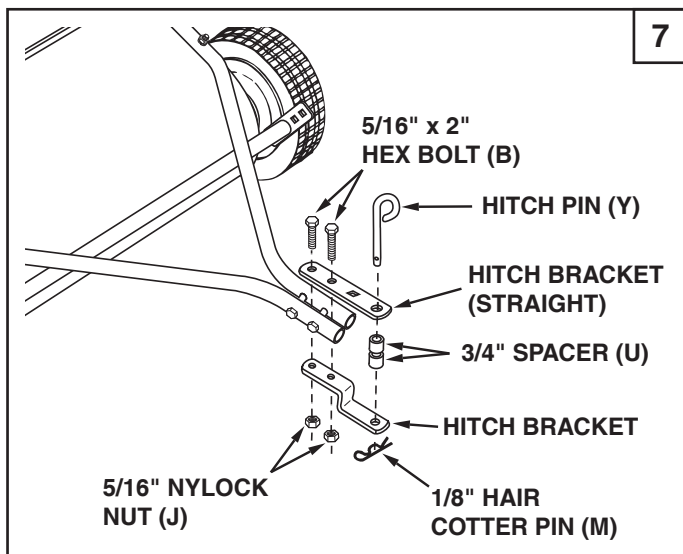
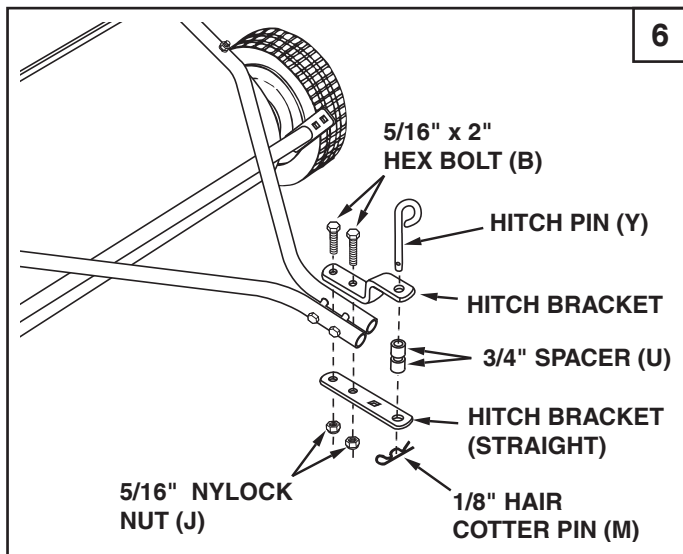
- (Figure 5)** Fasten the hitch tubes together using two 5/16" x 2-1/2" hex bolts (A) and 5/16" nylock nuts (J). **Do not tighten yet.**



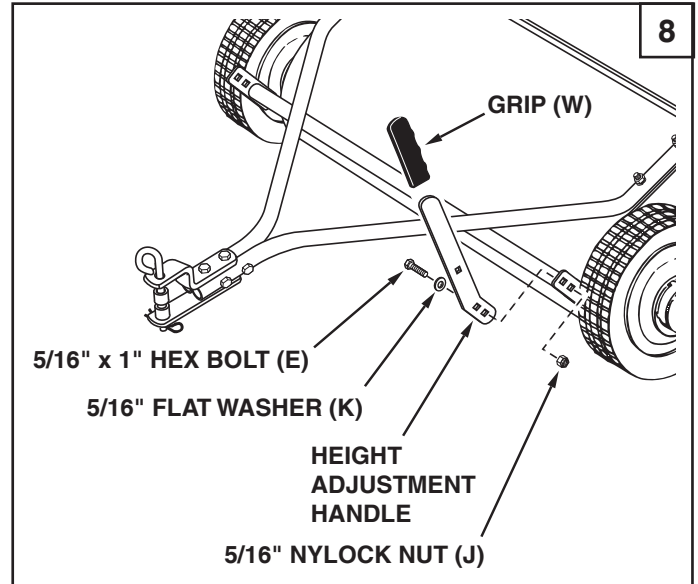
ENGLISH

If your tractor hitch has 10" to 13" ground clearance refer to figure 6. If your tractor hitch has 8" to 10" ground clearance refer to figure 7.

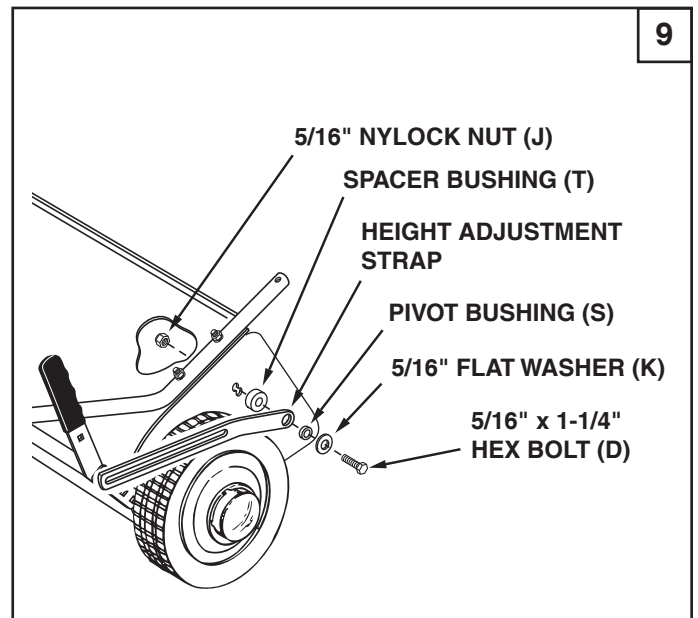
8. (Figure 6 or 7) Assemble the hitch brackets to the hitch tubes using two 5/16" x 2" hex bolts (B) and 5/16" nylock nuts (J). The bolts should straddle the front hitch tube bolt. **Do not tighten yet.**
9. At this time **tighten** the four bolts fastening the hitch tubes to the sweeper housing. Next, **tighten** the two bolts fastening the ends of the hitch tubes together. Finally, **tighten** the two bolts fastening the hitch brackets to the hitch tubes.
10. (Figure 6 or 7) Assemble the hitch pin (Y), two 3/4" hitch spacers (U) and the 1/8" hair cotter pin (M) to the hitch brackets.



11. (Figure 8) Assemble the height adjustment handle to the **inside** of the bracket on the end of the height adjustment tube. Use two 5/16" x 1" hex bolts (E), 5/16" flat washers (K) and 5/16" nylock nuts (J). **Tighten.**
12. (Figure 8) Assemble the grip (W) onto the height adjustment handle.

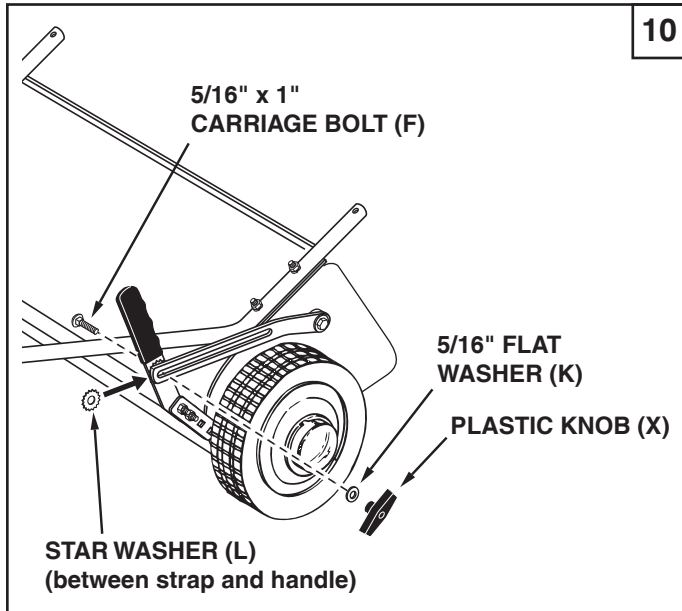


13. (Figure 9) Assemble onto a 5/16" x 1-1/4" hex bolt (D) in the order listed, a 5/16" flat washer (K), the pivot bushing (S), the height adjustment strap and the spacer bushing (T). Insert the bolt through the upper part of the double hole in the end of the sweeper housing and secure it with a 5/16" nylock nut (J). **Tighten.**



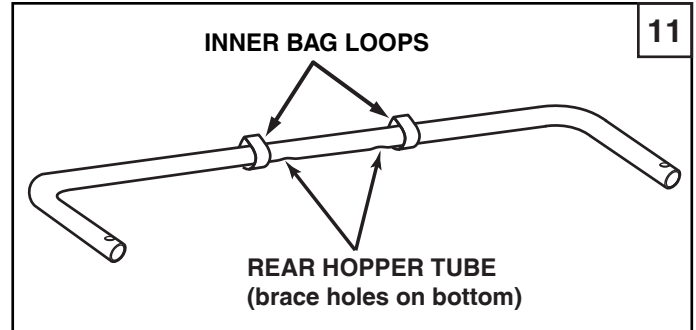
ENGLISH

14. **(Figure 10)** Place the star washer (L) between the height adjustment handle and the height adjustment strap. Insert the 5/16" x 1" carriage bolt (F) through the height adjustment handle, the star washer and the height adjustment strap. Assemble a 5/16" flat washer (K) and the plastic knob (X) onto the end of the bolt.

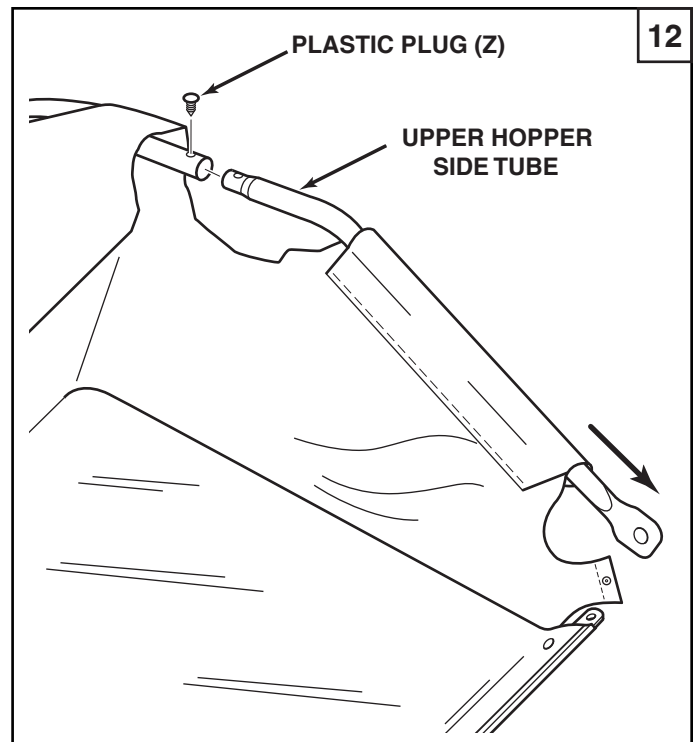


ASSEMBLY OF HOPPER BAG

1. **(Figure 11)** Turn a rear hopper tube so that the brace holes in the middle of the tube **face down**. Slide the tube through the two loops sewn to the top rear seam inside the hopper bag.

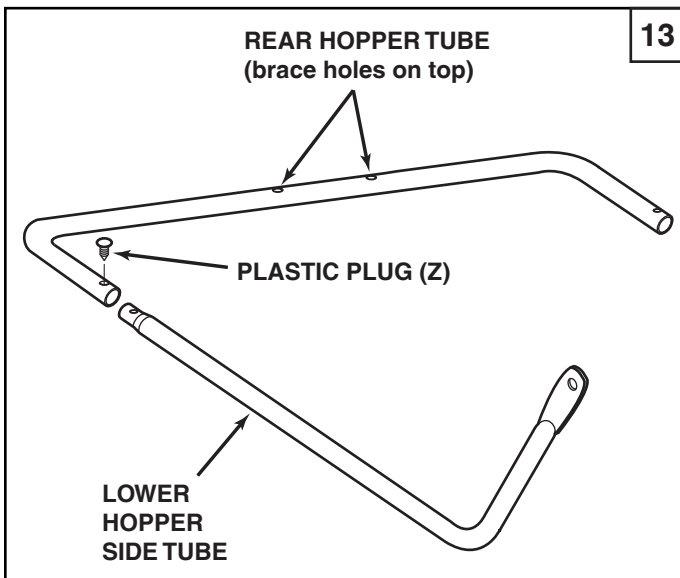


2. **(Figure 12)** Insert the two upper hopper side tubes through the stitched flaps on each side of the hopper bag.
3. **(Figure 12)** Assemble the ends of the rear hopper tube onto the ends of the upper hopper side tubes. Fasten together using plastic plugs (Z).

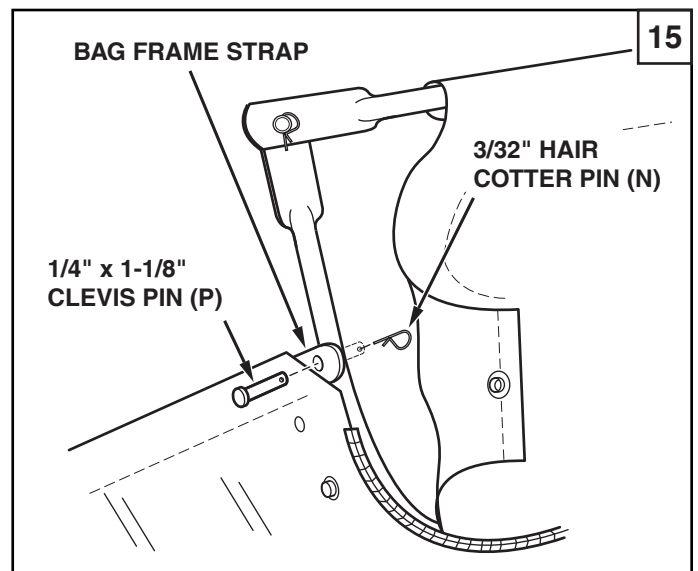


ENGLISH

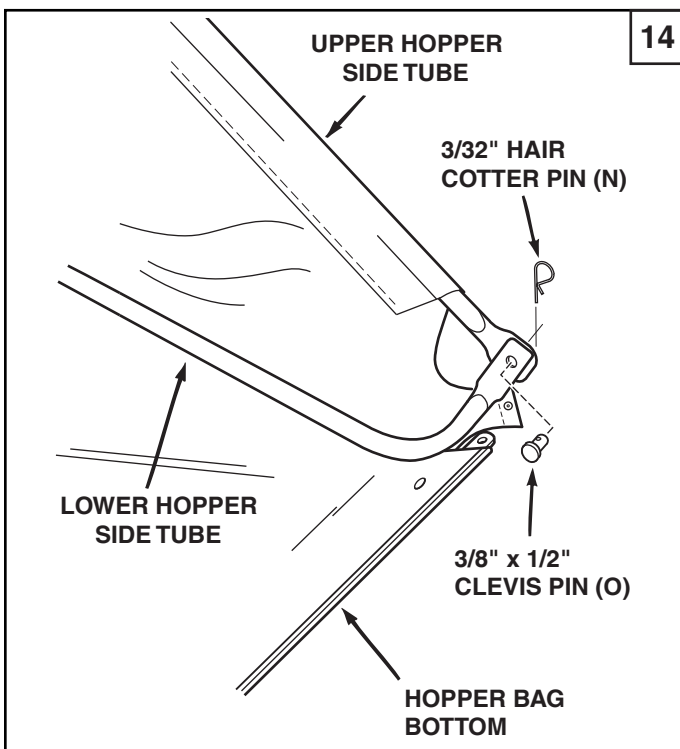
4. **(Figure 13)** Turn the second rear hopper tube so that the brace holes in the middle of the tube **face up**. Assemble the ends of the rear hopper tube onto the ends of the lower hopper side tubes. Fasten together using plastic plugs (Z).



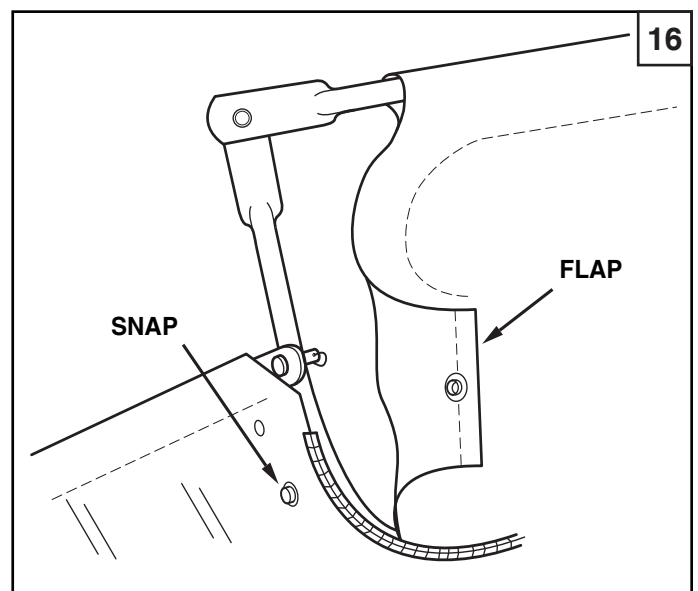
7. **(Figure 15)** Insert the bag frame strap into the stitched sleeve along the front edge of the bag bottom.
8. **(Figure 15)** Assemble the bag frame strap to the lower hopper side tubes using two 1/4" x 1-1/8" clevis pins (P) and 3/32" hair cotter pins (N).



5. **(Figure 14)** Place the assembled lower hopper tubes into the bottom of the hopper bag.
6. **(Figure 14)** Attach the ends of the lower hopper side tubes to the **inside** of the upper hopper side tubes using two 3/8" x 1/2" clevis pins (O) inserted from the inside, and two 3/32" hair cotter pins (N).



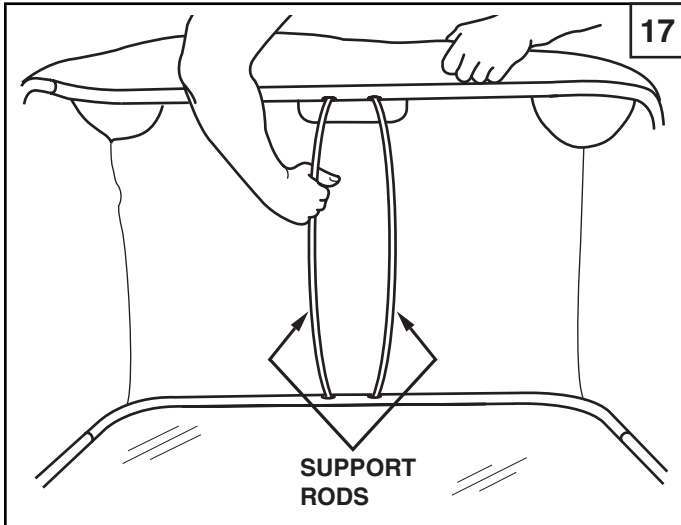
9. **(Figure 16)** Secure the bag corners around the lower hopper side tubes by snapping the bag flaps to the bag bottom on both sides.



ENGLISH

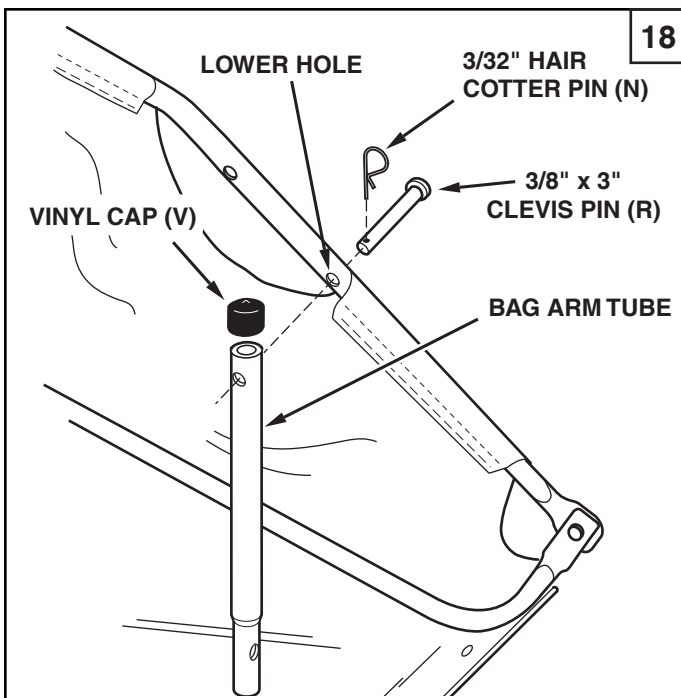
IMPORTANT: Do not over bend the support rods during the following step. Over bending will cause the steel rods to lose supporting tension.

10. **(Figure 17)** Tip the hopper onto its back to assemble the two hopper support rods. Place the ends of each rod into the upper and lower rear hopper tubes, bending the rod just enough to fit into the holes in the tubes.

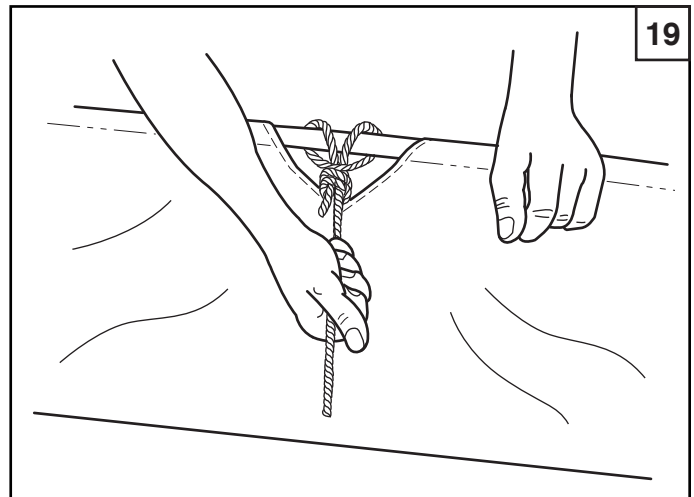


11. **(Figure 18)** Insert a 3/8" x 3" clevis pin (R) through the lower hole in each upper hopper side tube. Next assemble a bag arm tube onto each clevis pin and secure it with a 3/32" hair cotter pin (N).

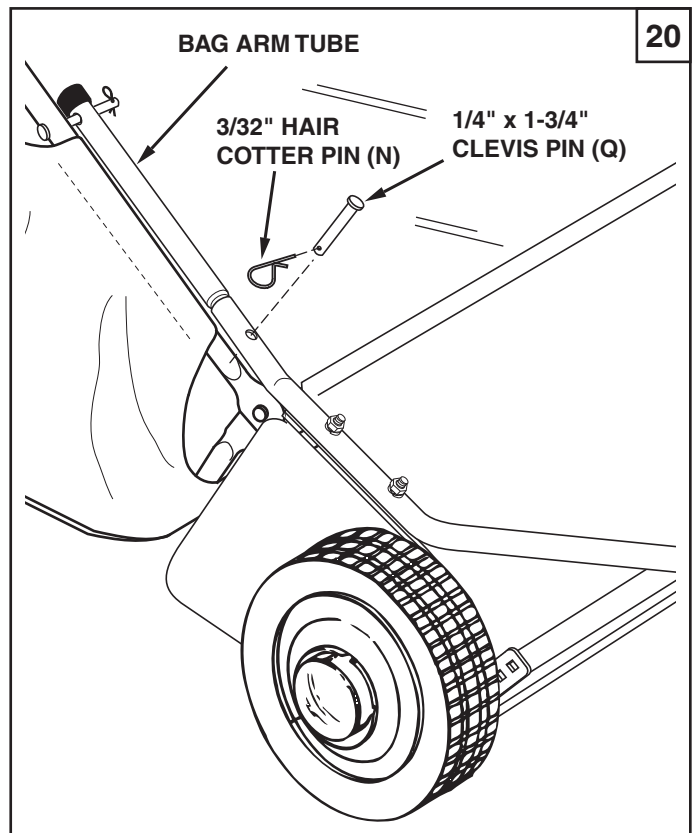
12. **(Figure 18)** Assemble a vinyl cap (V) onto the end of each bag arm tube.



13. **(Figure 19)** Secure the rope to the top center of the hopper bag frame.



14. **(Figure 20)** To assemble the hopper bag to the sweeper, slide the ends of the bag arm tubes into the ends of the sweeper's hitch tubes and secure with two 1/4" x 1-3/4" clevis pins (Q) and 3/32" hair cotter pins (N).

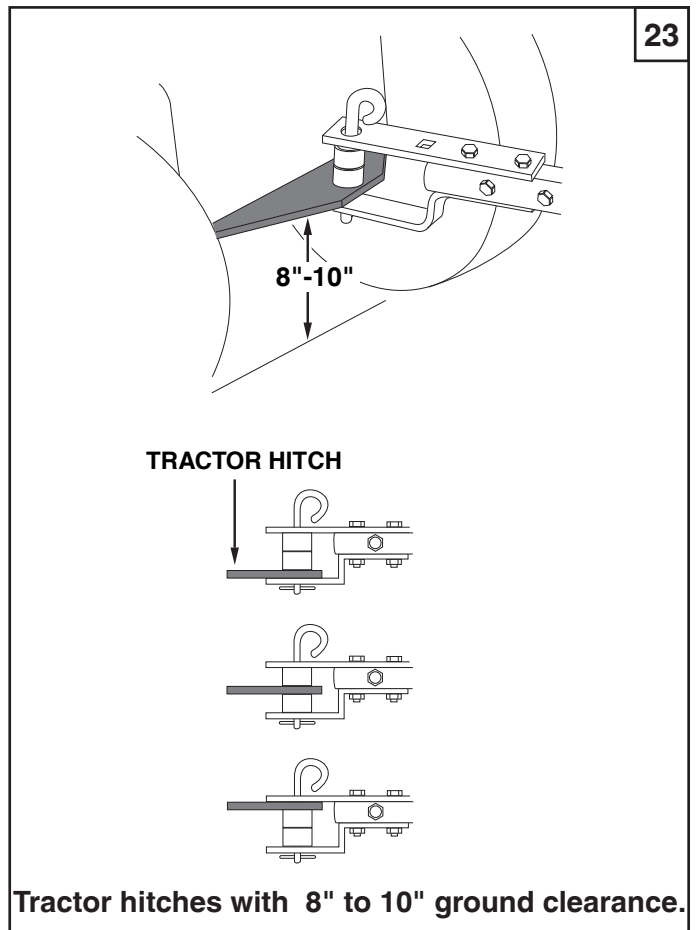
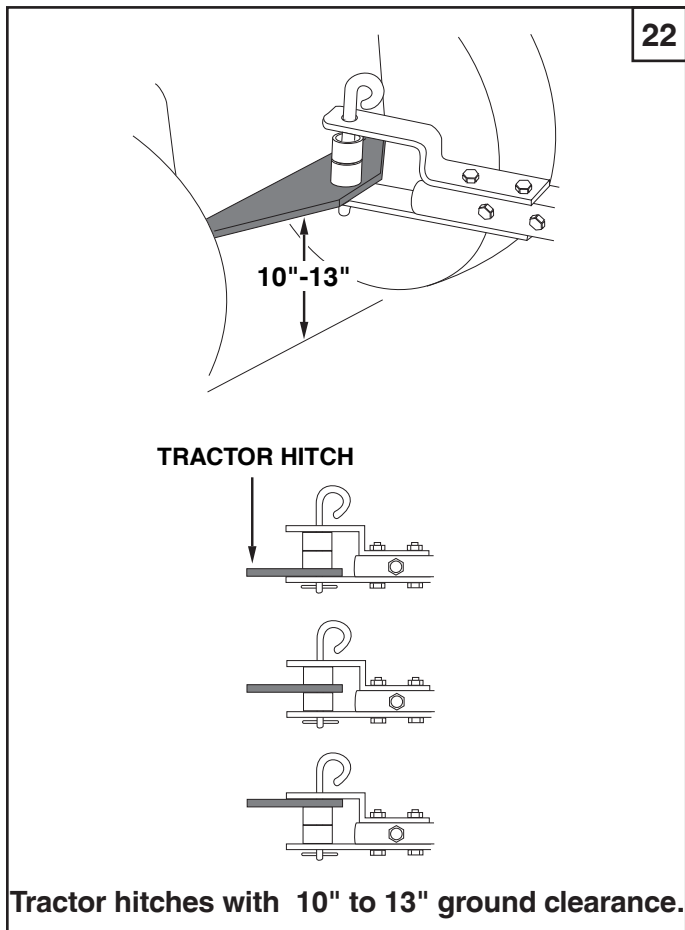
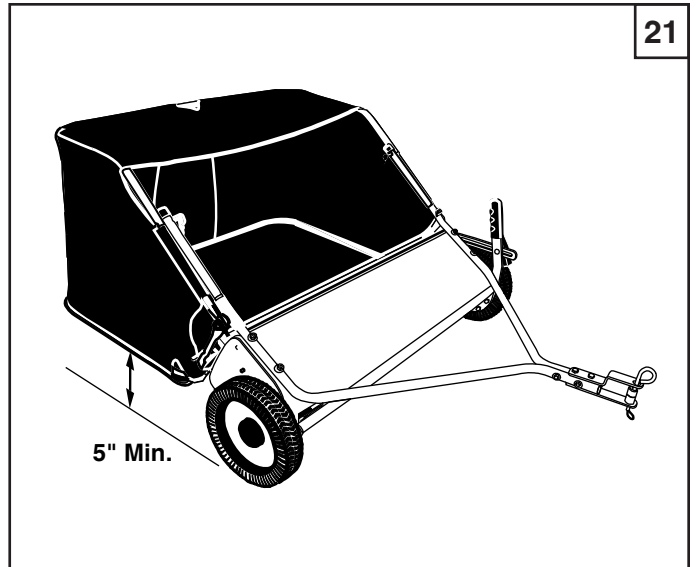


ATTACHING SWEEPER HITCH TO TRACTOR

(Figures 21, 22, 23)

1. Place the tractor and sweeper on a flat level surface.
2. Set the sweeper height adjustment handle to about the middle of its adjustment range.
3. Attach the sweeper hitch brackets to the tractor hitch, arranging the 3/4" spacers so that the bottom of the sweeper bag is approximately level and 5" to 7" above the ground. See figure 22 for tractor hitches that are 10" to 13" above the ground. See figure 23 for tractor hitches that are 8" to 10" above the ground.

IMPORTANT: For best performance, the bottom of the sweeper bag should be approximately level and 5" to 7" off the ground as shown in figure 21.



OPERATION

HOW TO USE YOUR SWEEPER

BRUSH HEIGHT ADJUSTMENT

To adjust your sweeper brushes to the best operating height, loosen the adjustment knob and push down on the height adjustment lever to raise the brush. Best adjustment is when the brush setting is 1/2" down into the grass. Always mow the grass to an even height before sweeping.

SWEEPING SPEED

Try a starting speed of approximately 3 m.p.h. (third gear on most tractors). Depending on the conditions, it may be necessary to adjust the sweeping speed in order to achieve best results.

DUMPING OF SWEEPER

Your sweeper can be dumped easily without getting off of the rider or tractor. Simply pull the rope forward to dump the hopper. Always empty hopper after each use.



CAUTION: Never attach the hopper rope to any part of your body or clothing! **Never hold onto** the rope while towing the sweeper! **Attach the rope** to the towing vehicle to keep it away from wheels and rotating parts.



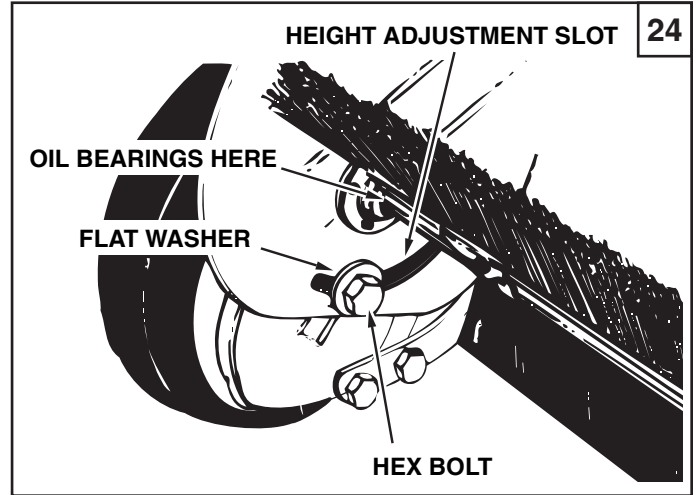
CAUTION: Keep sweeper away from fire. Excessive heat can damage the brushes and hopper bag and could cause the bag and its contents to burn.

MAINTENANCE

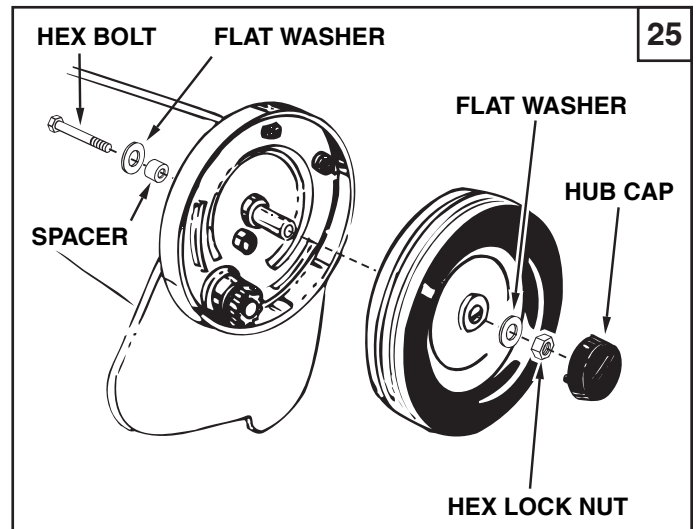
CUSTOMER RESPONSIBILITIES

1. Check for loose fasteners before each use.
2. Clean the sweeper after each use.
 - a. Clean sweeper housing with a soft brush or cloth.
 - b. Clean debris from hopper bag with a brush or broom.
 - c. Remove any material which has wrapped around brushes or ends of brush shaft.
3. Inspect for worn or damaged parts, such as brushes and wheels before each use. Replace as necessary.

4. **(Figure 24)** Lubricate the brush shaft bearing twice a year with a few drops of light weight oil.



5. Lubricate the wheel bearings each season. Remove the hub cap and apply a few drops of light weight oil.
6. **(Figure 25)** Every two years, remove the wheels and clean the gears found inside the wheel housing. After cleaning, lubricate the gears with an even coat of light grease. To remove the wheel, pop off the hub cap and remove the lock nut and flat washer.



STORAGE



CAUTION: Before storing the sweeper, always empty the hopper bag to avoid spontaneous combustion.

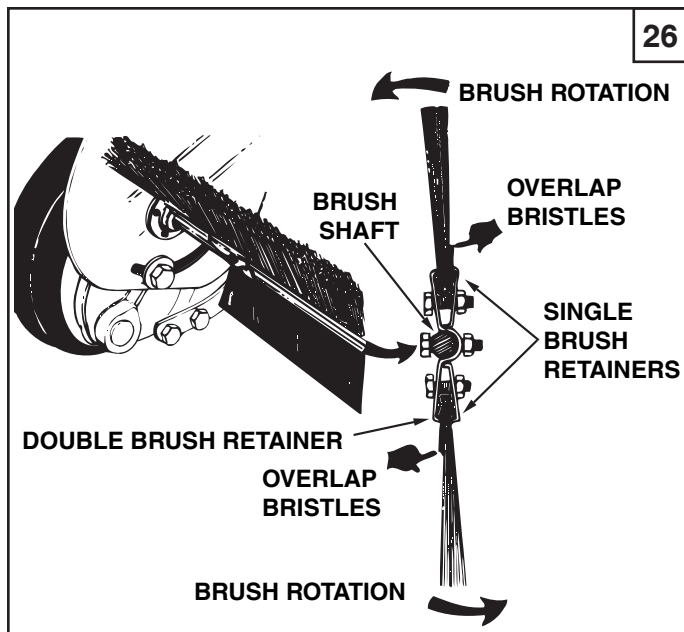
1. Clean the sweeper and hopper bag thoroughly to help prevent rust and mildew.
2. To collapse the hopper bag for storage, remove the two hopper support rods from the rear of the hopper.
3. Store in a dry area.

SERVICE AND ADJUSTMENTS

BRUSH REPLACEMENT

NOTE: Brush replacement should be done one brush at a time.

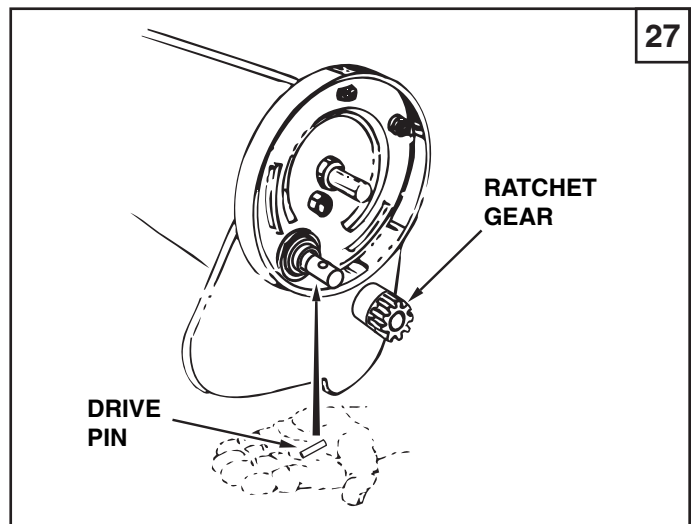
1. Remove the hopper bag from the sweeper.
2. **(Figure 26)** Loosen the hex bolts and lock nuts on two single brush retainers which clamp one brush to the double brush retainers. **Do Not loosen** or remove the bolts which fasten the double brush retainers to the brush shaft.
3. **(Figure 26)** Slide the brush out of the retainers, noting on which side of the brush the bristles overlap.
4. **(Figure 26)** Install new brush, making sure the bristles overlap on the same side of the brush as before.



WHEEL GEAR AND PAWL SERVICE

IMPORTANT: Do not remove both wheels at the same time to avoid mixing of parts. (The R.H. and L.H. ratchet gears are not interchangeable.) **Make notes** on the position of washers and snap rings during disassembly.

1. Remove **only one** wheel from the sweeper.
2. Remove the retaining rings and washers which hold the ratchet gear onto the brush shaft.
3. **(Figure 27)** Remove the gear by sliding it off the brush shaft. (Look for the drive pin, which may fall out of the brush shaft when the ratchet gear is removed.)
4. To reassemble, insert the drive pin through the hole near the end of the brush shaft. Make sure the pin slides back and forth easily in the shaft.
5. Lightly grease the shaft and fill the ratchet gear with grease. Assemble the ratchet gear back onto the shaft.
6. Lightly grease the axle and the gear teeth on the wheel, and then reassemble the wheel. The brushes should rotate **only** during forward rotation of the wheel. If the brushes are driven (rotated) by both forward and reverse rotation of the wheel, the drive pin is jamming in the ratchet gear. Disassemble to clean and lubricate the drive pin and the ratchet gear.
7. Remove the second wheel and repeat the procedure.



TROUBLESHOOTING

<p>Wheels skid when sweeping.</p>	<ol style="list-style-type: none"> 1. Brushes set too low. 2. Brushes are jammed 3. Wheels are jammed. 	<ol style="list-style-type: none"> 1. Adjust height till brushes are 1/2" down into grass. 2. Stop sweeper. Remove obstruction. 3. Remove one wheel at a time to check for obstruction or damage. Refer to Service and Adjustments section.
-----------------------------------	---	--

NORMAS DE SEGURIDAD

Recuerde, cualquier equipo motorizado puede causar lesiones si se usa en forma inapropiada o si el usuario no entiende como operarlo. Sea precavido siempre que use equipo motorizado.

1. Lea los manuales del usuario de la barredora y del vehículo de arrastre y conozca su operación antes de usar este accesorio de barredora. Siempre instruya a otros usuarios sobre su operación, antes de que operen su barredora.
2. No permita que los niños operen la barredora.
3. No permita que nadie se monte en la barredora.
4. ¡Nunca se amarre la cuerda de la tolva al cuerpo o a la ropa! ¡ Nunca se sostenga de la cuerda mientras remolca la barredora! Amarre la cuerda al vehículo de arrastre para mantener la barredora alejada de ruedas y partes rotatorias.
5. En terreno quebrado, cerca de zanjas o en colinas, opere la barredora a baja velocidad para prevenir la pérdida de control.
6. La estabilidad y frenado del vehículo de arrastre pueden afectarse con el enganche de esta barredora. No llene la barredora a su máxima cabida sin antes verificar la capacidad del vehículo de arrastre para remolcar y detenerse en forma segura con la barredora enganchada. **No opere en cuestas empinadas.**
7. Deténgase e inspeccione el vehículo de arrastre y la barredora después de haber golpeado algún objeto. Repare cualquier daño que haya causado antes de continuar la operación.
8. Mantenga la barredora alejada del fuego. El calor excesivo puede dañar los cepillos y la bolsa de la tolva y causar el incendio de la bolsa y su contenido.
9. Antes de guardar la barredora, siempre vacíe la bolsa de la tolva para evitar la combustión espontánea de su contenido.
10. Siga las instrucciones de lubricación y mantenimiento como se señalan en la sección de mantenimiento de este manual.



Este símbolo indica precauciones importantes de seguridad. Significa - ¡**ATENCIÓN!** Su seguridad está en riesgo

ARMADO

HERRAMIENTAS REQUERIDAS PARA EL ARMADO

- (1) Cuchilla o tijeras
- (2) Llaves de Boca Abierta o de Estrella de 1/2"

Todas las partes sueltas se muestran en la página 2. Los sujetadores en la bolsa de partes se muestran en su tamaño real en la página 3. Retire toda la ferretería y todas las partes sueltas de la caja y verifique que todas las partes y sujetadores que se muestran en las páginas 2 y 3 han sido incluidos.

ARMADO DE LA BARREDORA

Nota: La mano derecha y la izquierda se determinan desde la posición del operador sentado en el vehículo de arrastre.

Nota: las figuras del armado se encuentran en las páginas de 5 a 11.

1. **(Figura 1)** Cada conjunto de cepillo tiene un retenedor de cepillo marcado con tinta roja o tinta negra. Extienda los conjuntos de cepillo como se muestra en el diagrama, de manera que los retenedores de cepillo marcados con tinta queden en la mitad, con el marcado con rojo a la derecha y el marcado con negro a la izquierda.

IMPORTANTE: El traslape de cerdas en la parte de abajo de cada cepillo ayuda a sostener el lado de atrás del cepillo para obtener un mejor funcionamiento de la barredora. Verifique que la barredora se ha volteado como se indica en las Figuras 2 y 3 para que los cepillos queden correctamente armados.

2. **(Figura 2)** Fije el conjunto de cepillo con el retenedor rojo en el extremo derecho del eje de cepillos, usando dos pernos hexagonales (G) y tuercas de cierre de nilón (I). El retenedor marcado con tinta roja debe quedar colocado en la mitad de la barredora.
3. **(Figura 3)** Instale el conjunto de cepillo con el retenedor de cepillo negro en el extremo izquierdo del eje de cepillo, usando dos pernos hexagonales (G) y tuercas de cierre de nilón (I). El retenedor de cepillo marcado con tinta negra debe colocarse en la mitad de la barredora.
4. **(Figura 3)** Gire una rueda para hacer girar los cepillos. (Las ruedas mueven los cepillos en una dirección solamente.) El traslape de las cerdas debe quedar en el lado de atrás del cepillo a medida que éste gira.
5. Corte el plástico que sostiene en su lugar el tubo de ajuste de altura.
6. **(Figura 4)** Fije el tubo de enganche de mano derecha en la carcasa de la barredora, usando dos pernos de carruaje (C) y tuercas de cierre de nilón (J). **No apriete todavía.** Repita la operación para el tubo de enganche de mano izquierda.
7. **(Figura 5)** Conecte entre sí los tubos de enganche, usando dos pernos hexagonales (A) y tuercas de cierre de nilón (J). **No apriete todavía.**

Si el enganche de su tractor o vehículo de arrastre tiene una altura sobre el piso de 25 a 33 cm, estudie la figura 6. Si el enganche de su tractor o vehículo de arrastre tiene una altura sobre el piso de 20 a 25 cm, refiérase a la figura 7.

8. **(Figura 6 o 7)** Monte las ménsulas de enganche en los tubos de enganche usando dos pernos hexagonales (B) y tuercas de cierre de nilón (J). Los pernos deben montarse uno a cada lado del perno del tubo de enganche. **Todavía no apriete.**

9. En este momento **apriete** los cuatro pernos, fijando los tubos de enganche a la carcasa de la barredora. En seguida **apriete** los dos pernos, juntando los extremos de los tubos de enganche. Finalmente, **apriete** los dos pernos, fijando las ménsulas de enganche a los tubos de enganche.
10. **(Figura 6 o 7)** Monte el pasador de enganche (Y), dos espaciadores (U) y el pasador de horquilla de 1/8" (M) en las ménsulas de enganche.
11. **(Figura 8)** Arme la manija de ajuste de altura hacia el centro del soporte en el extremo del tubo de ajuste de altura. Use 2 pernos hexagonales (E), arandelas planas (K) y tuercas de cierre de nilón (J). **Apriete lo armado.**
12. **(Figura 8)** Monte la empuñadura (W) en la manija de ajuste de altura.
13. **(Figura 9)** Arme en un perno hexagonal (D), en el orden en que se listan: una arandela plana (K), el husillo de pivote (S), la barra de ajuste de altura, y el husillo espaciador (T). Inserte el perno a través de la parte superior de la perforación doble en el extremo de la carcasa de la barredora y asegúrelo con una tuerca de cierre de nilón (J). **Apriete lo armado.**
14. **(Figura 10)** Coloque la arandela de estrella (L) entre la manija de ajuste de altura y la barra de ajuste de altura. Inserte un perno de carruaje (F) a través de la manija de ajuste de altura, la arandela de estrella y la barra de ajuste de altura. Arme una arandela plana (K) y la perilla de plástico (X) en el extremo del perno.

ARMADO DE LA BOLSA DE LA TOLVA

1. **(Figura 11)** Haga girar el tubo del respaldo de la tolva, de manera que los huecos taladrados en la mitad del tubo miren hacia abajo. Pase el tubo por entre los dos lazos cosidos a la costura o pestaña posterior de arriba, dentro de la bolsa de la tolva.
2. **(Figura 12)** Inserte los dos tubos laterales superiores de la tolva, a través de los faldones cosidos con puntos a cada lado de la bolsa de la tolva.
3. **(Figura 12)** Monte los extremos del tubo posterior de la tolva sobre los terminales de los tubos laterales de la parte superior de la tolva. Júntelos usando tapones plásticos (Z).
4. **(Figura 13)** Voltee el segundo tubo trasero de la tolva, de manera que los huecos taladrados en la mitad del tubo queden mirando hacia arriba. Monte los extremos del tubo trasero de la tolva sobre los extremos de los tubos laterales de la parte inferior de la tolva. Júntelos usando tapones plásticos (Z).
5. **(Figura 14)** Coloque los tubos de la parte inferior de la tolva en el fondo de la bolsa de la tolva.
6. **(Figura 14)** Fije los extremos de los tubos laterales inferiores de la tolva al **interior** de los tubos laterales superiores de la tolva, usando dos pasadores de grillete (O) insertados desde el interior, y dos pasadores de horquilla (N).
7. **(Figura 15)** Inserte la varilla del marco de la bolsa dentro de la manga cosida, a lo largo del borde frontal del fondo de la bolsa.
8. **(Figura 15)** Monte la varilla del marco de la bolsa en los tubos laterales inferiores de la tolva, usando dos pasadores de grillete (P) y dos pasadores de horquilla (N).
9. **(Figura 16)** Asegure las esquinas de la bolsa alrededor de los tubos laterales inferiores de la tolva, abrochando los faldones de la bolsa al fondo de la bolsa, a ambos lados.

IMPORTANTE: No curve demasiado las barras de soporte durante el siguiente paso. El curvado excesivo hará que las barras de acero pierdan su tensión de soporte.

10. **(Figura 17)** Incline la tolva sobre su respaldo para ensamblar las dos barras de soporte de la tolva. Coloque los extremos de cada barra dentro de los tubos superior e inferior en la parte trasera de la tolva, curvando la barra apenas lo suficiente para que encaje dentro de los huecos de los tubos.
11. **(Figura 18)** Inserte un pasador de grillete (R) a través del hueco inferior en cada tubo lateral de la parte superior de la tolva. En seguida monte un tubo del brazo de la bolsa sobre cada pasador de grillete y asegúrelo con un pasador de horquilla (N).
12. **(Figura 18)** Coloque una tapa de vinilo (V) en el extremo de cada tubo del brazo de la bolsa.
13. **(Figura 19)** Asegure la cuerda a la parte superior del centro superior del marco de la bolsa de la tolva.
14. **(Figura 20)** Para fijar la bolsa de la tolva en la barredora, inserte los extremos de los tubos del brazo de la bolsa dentro de los terminales de los tubos de enganche de la barredora y asegúrelos con dos pasadores de grillete (Q) y pasadores de horquilla (N).

COLOCACION DEL ENGANCHE DE LA BARREDORA EN EL TRACTOR. (Figuras 21, 22 y 23).

1. Coloque el tractor y la barredora sobre una superficie plana y nivelada.
2. Gradúe la manija de ajuste de altura de la barredora alrededor de la mitad de su rango de ajuste.
3. Fije las ménsulas de enganche de la barredora al enganche del tractor, colocando los espaciadores de 1/2" de manera que el fondo de la bolsa de la barredora quede a una altura de 13 a 18 cm del suelo. Vea en la Figura 22 la forma en que quedan los enganches del tractor cuando están entre 25 y 33 cm por encima del suelo. Vea en la Figura 23 la forma en que quedan los enganches del tractor cuando se encuentran entre 20 y 25 cm sobre el suelo.

IMPORTANTE: Para un mejor desempeño, el fondo de la bolsa de la barredora debe quedar aproximadamente nivelado y de 13 a 18 cm de altura sobre el suelo, como se muestra en la Figura 21.

OPERACION

AJUSTE DE LA ALTURA DEL CEPILLO

Para ajustar los cepillos de su barredora en la mejor altura de operación, afloje la perilla de ajuste y presione hacia abajo sobre la palanca de ajuste de altura para levantar el cepillo. El mejor ajuste es cuando la graduación del cepillo está 1,2 cm por debajo de la superficie del prado, dentro del césped. Siempre corte el césped a una altura pareja, antes de barrer.

VELOCIDAD DE BARRIDO

Ensaye una velocidad inicial de aproximadamente 3 millas por hora (5km/hora) (tercera velocidad en la mayoría de los tractores). Dependiendo de las condiciones, puede ser necesario ajustar la velocidad de barrido, a fin de obtener los mejores resultados.

VACIADO DE LA BARREDORA

Su barredora se puede vaciar fácilmente sin necesidad de desenganchar el tractor o de que el operador se desmonte. Simplemente tire de la cuerda hacia adelante para vaciar la tolva. Siempre vacíe la tolva después de cada uso.



PRECAUCION: ¡Nunca amarre la cuerda de la tolva a ninguna parte de su cuerpo ni de su ropa! **¡Nunca** se cuelgue de la cuerda mientras remolca la barredora! **Amarre la cuerda** al vehículo de remolque, manteniéndola alejada de las ruedas y de las partes giratorias.

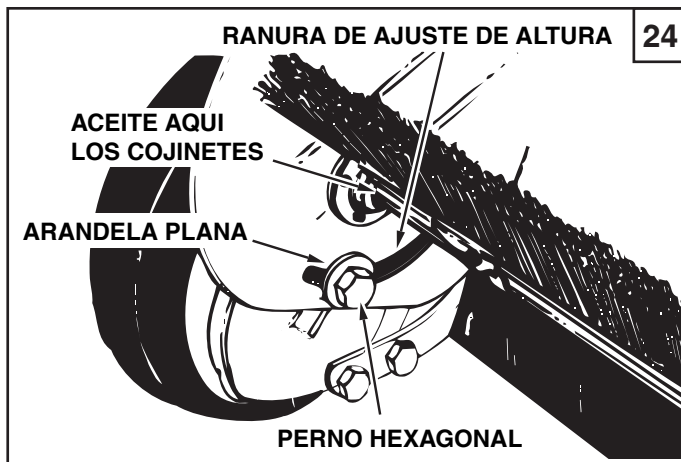


PRECAUCION: Mantenga la barredora lejos del fuego. El calor excesivo puede dañar los cepillos y la bolsa de la tolva, y puede hacer que la bolsa y su contenido se incendien.

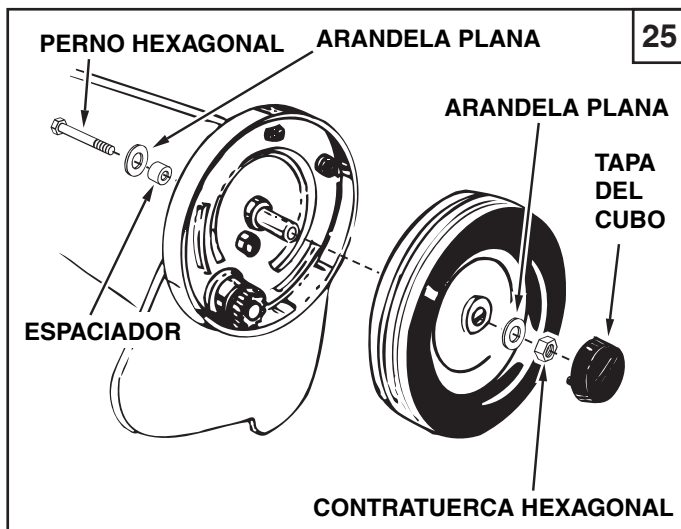
MANTENIMIENTO

RESPONSABILIDADES DEL CLIENTE

1. Verifique que no haya sujetadores o broches sueltos antes de usar la barredora.
2. Limpie la barredora después de cada uso.
 - a. Limpie la carcasa de la barredora con un cepillo suave o un trapo.
 - b. Limpie los residuos de la bolsa de la tolva con una escoba o con un cepillo.
 - c. Retire cualquier material que se haya enrollado alrededor de los cepillos o los terminales del eje del cepillo.
3. Inspeccione la máquina, buscando partes dañadas o gastadas, tales como cepillos y ruedas, antes de cada uso. Reemplace las piezas averiadas según sea necesario.
4. **(Figura 24)** Lubrique el cojinete o rodamiento del eje del cepillo dos veces al año, con unas pocas gotas de aceite liviano.



5. Lubrique los cojinetes de las ruedas en cada temporada. Retire la tapa del cubo y aplique unas pocas gotas de aceite liviano.
6. **(Figura 25)** Cada dos años retire las ruedas y limpie los engranajes que se encuentran dentro de la carcasa de la rueda. Después de limpiarlos, lubríquelos con una capa pareja de grasa liviana. Para retirar la rueda, saque la tapa del cubo y retire la contratuerca o tuerca de cierre y la arandela plana.



ALMACENAMIENTO



PRECAUCION: Antes de almacenar la barredora, desocupe siempre la bolsa de la tolva para evitar que ocurra una combustión espontánea.

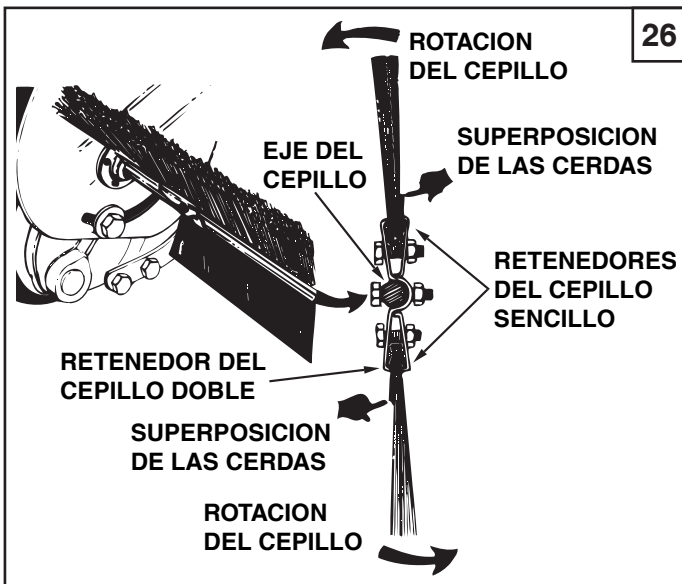
1. Limpie completamente la barredora y la bolsa de la tolva para ayudar a prevenir la oxidación y el moho.
2. Para doblar la bolsa de la tolva cuando se va a guardar, retire las dos barras de soporte de la tolva de la parte trasera de la misma.
3. Almacene la barredora en un área seca.

SERVICIO Y AJUSTES

CAMBIO DE CEPILLOS

NOTA: El cambio de cepillos deberá hacerse uno por uno.

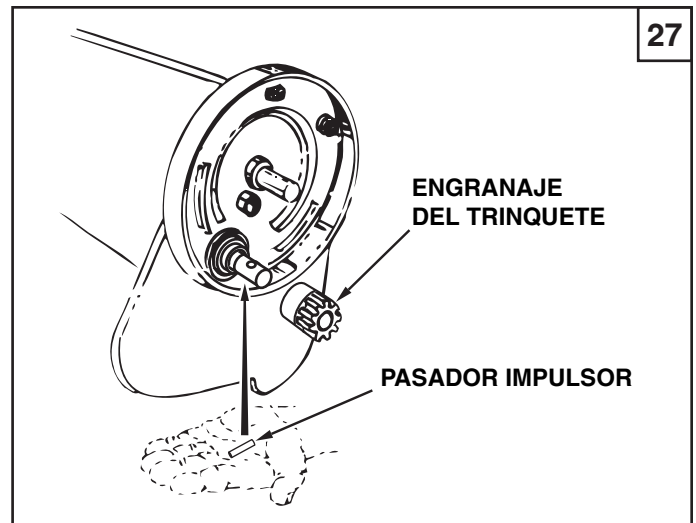
1. Retire la bolsa de la tolva de la barredora.
2. **(Figura 26)** Afloje los pernos hexagonales y las tuercas de cierre en los dos retenedores del cepillo sencillo, que sujetan un cepillo a los retenedores del cepillo doble. **No afloje** ni retire los pernos que fijan los retenedores del cepillo doble al eje del cepillo.
3. **(Figura 26)** Saque deslizando el cepillo de los retenedores, fijándose bien en qué lado del cepillo se superponen las cerdas.
4. **(Figura 26)** Instale el cepillo nuevo, asegurándose de que las cerdas se superpongan en el mismo lado del cepillo, como estaban antes.



SERVICIO DEL ENGRANAJE DE LA RUEDA DENTADA Y DEL TRINQUETE

IMPORTANTE: No retire las dos ruedas al mismo tiempo, para evitar que sus partes se confundan. (Los engranajes del trinquete de mano derecha y de mano izquierda no son intercambiables). **Anote** la posición de las arandelas y de los anillos a presión cuando desarme el mecanismo.

1. **Baje únicamente una rueda** a la vez de la barredora.
2. Retire los anillos retenedores y las arandelas que sostienen el engranaje del trinquete sobre el eje del cepillo.
3. **(Figura 27)** Retire el engranaje deslizándolo fuera del eje del cepillo. (Tenga cuidado con el pasador impulsor, que puede caerse del eje del cepillo al remover el engranaje del trinquete).
4. Para volver a armar, inserte el pasador impulsor a través del hueco cerca del extremo del eje del cepillo. Asegúrese de que el pasador pueda deslizarse fácilmente hacia delante y hacia atrás sobre el eje.
5. Engrase ligeramente el eje y llene el engranaje del trinquete con grasa. Arme nuevamente el engranaje del trinquete sobre el eje.
6. Engrase ligeramente el eje y los dientes del engranaje en la rueda y luego monte la rueda de nuevo. Los cepillos deben girar **únicamente durante la rotación hacia delante de la rueda**. Si los cepillos giran tanto hacia adelante como hacia atrás con la rotación de la rueda en ambos sentidos, el pasador impulsor está atascado en el engranaje del trinquete. Desarme para limpiar y lubricar el pasador impulsor y el engranaje del trinquete.
7. Retire la segunda rueda y siga el mismo procedimiento.



RESOLUCION DE PROBLEMAS

<p>Las ruedas patinan al barrer.</p>	<ol style="list-style-type: none"> 1. Los cepillos están graduados demasiado abajo 2. Los cepillos están atascados 3. Las ruedas están atascadas 	<ol style="list-style-type: none"> 1. Ajuste la altura hasta que los cepillos queden 1,2 cm dentro del céspe 2. Detenga la barredora. Retire la obstrucción 3. Baje una rueda a la vez para buscar la obstrucción o daño. Consulte la Sección de Servicio y Ajustes.
--------------------------------------	---	---

SÉCURITÉ

Tout appareil mécanique utilisé incorrectement peut être la cause de blessures. L'utilisateur doit bien en maîtriser le fonctionnement. Observez en tout temps la plus grande prudence lorsque vous utilisez un appareil mécanique.

1. Lisez les manuels du propriétaire du véhicule et de la balayeuse et apprenez à faire fonctionner votre véhicule et la balayeuse avant d'utiliser les outils de la balayeuse. Partagez toujours vos connaissances avec les autres utilisateurs avant qu'ils ne se servent de la balayeuse.
2. N'autorisez jamais des enfants à faire fonctionner la balayeuse.
3. Ne permettez à quiconque de se déplacer sur la balayeuse.
4. N'attachez jamais le cordage de la trémie à votre corps ou à vos vêtements ! Ne maintenez jamais le cordage en tractant la balayeuse ! Fixez le cordage au véhicule tracteur afin de l'éloigner des roues et des pièces en mouvement.
5. Faites fonctionner la balayeuse à petite vitesse sur les terrains cahoteux, à proximité de tranchées et sur des pentes afin d'éviter tout de perte de contrôle.
6. Le freinage et la stabilité du véhicule peuvent être compromis avec l'outil de cette balayeuse. Ne remplissez pas la balayeuse à sa capacité maximum sans vérifier la capacité du véhicule de traction à tirer et à s'arrêter en toute sécurité avec la balayeuse attachée. Éloignez-vous des pentes raides.
7. Arrêtez et inspectez le véhicule et la balayeuse à la recherche de détériorations après avoir heurté un objet. Réparez toutes les avaries avant de poursuivre le fonctionnement.
8. Éloignez la balayeuse de toute source d'inflammation. Une chaleur excessive peut endommager les brosses ainsi que le sac de récupération des débris et peut provoquer l'incendie du sac et de son contenu.
9. Avant d'entreposer la balayeuse, videz toujours le sac de récupération des débris afin d'éviter une combustion spontanée.
10. Appliquez les instructions de graissage et de maintenance conformément à la section Maintenance de ce manuel.



Ce symbole attire l'attention sur des mesures de sécurité importantes. Il signifie: «Attention, demeurez vigilant, votre sécurité en dépend.»

MONTAGE

OUTILS NÉCESSAIRES AU MONTAGE

- (1) Couteau ou paire de ciseaux
- (2) Clés polygonale ou à fourche de 1/2 po.

Toutes les pièces mobiles sont présentées en page 2. Les organes de fixation dans les sacs de pièces sont présentés grandeur nature en page 3. Retirez l'emballage contenant la quincaillerie et toutes les pièces détachées du carton et vérifiez que toutes les pièces et organes de fixation présentés en pages 2 et 3 sont inclus.

MONTAGE DE LA BALAYEUSE

Remarque: La droite et la gauche sont déterminées par rapport à la position de l'opérateur lorsqu'il est assis sur le tracteur.

Remarque: Les figures à propos du montage se trouvent sur les pages 5 à 11.

1. **(Figure 1)** Chaque brosse possède une pièce de retenue indiquée avec de l'encre rouge ou de l'encre noire. Placez les brosses comme illustré de manière à ce que les pièces de retenue des brosses indiquées à l'encre se trouvent au centre, en plaçant la brosse rouge à droite et la brosse noire à gauche.

IMPORTANT: Les soies se chevauchant en bas de chaque brosse aident à soutenir l'arrière de la brosse pour un rendement optimal de la balayeuse. Assurez-vous que la balayeuse est tournée comme illustré aux Figures 2 et 3 afin d'assembler correctement les brosses.

2. **(Figure 2)** Fixez les brosses comportant la pièce de retenue de la brosse rouge sur l'extrémité droite de l'axe des brosses en utilisant deux boulons hexagonaux (G) et deux écrous à frein élastique (I). La pièce de retenue de la brosse indiquée à l'encre rouge doit être placée au centre de la balayeuse.
3. **(Figure 3)** Fixez les brosses comportant la pièce de retenue de la brosse noire sur l'extrémité gauche de l'axe des brosses en utilisant deux boulons hexagonaux (G) et deux écrous à frein élastique (I). La pièce de retenue de la brosse indiquée à l'encre noire doit être placée au centre de la balayeuse.
4. **(Figure 3)** Tournez une roue pour faire tourner les brosses. (Les roues entraîneront les brosses dans un sens uniquement). Les soies se chevauchant doivent se trouver à l'arrière de la brosse lorsqu'elle tourne.
5. Coupez l'attache en plastique qui maintient en place le tube de réglage de la hauteur.
6. **(Figure 4)** Assemblez le tube d'attelage droit au bâti de la balayeuse en utilisant deux boulons de carrosserie (C) et des écrous à frein élastique (J). Ne les serrez pas maintenant. Répétez l'opération pour le tube d'attelage gauche.
7. **(Figure 5)** Serrez ensemble les tube d'attelage en utilisant deux boulons hexagonaux (A) et des écrous à frein élastique (J). Ne les serrez pas maintenant.

Si l'attelage de votre tracteur possède une garde au sol comprise entre 25 et 33 cm, reportez-vous à la figure 6. Si ce dernier possède une garde au sol comprise entre 20 et 25 cm, reportez-vous à la figure 7.

8. **(Figure 6 ou 7)** Assemblez les supports d'attelage aux tubes d'attelage en utilisant deux boulons hexagonaux (B) et des écrous à frein élastique (J). Les boulons doivent chevaucher le boulon du tube d'attelage avant. Ne les serrez pas maintenant
9. Au cours de cette étape, vous pouvez serrer les quatre boulons de maintien des tubes d'attelage au bâti de la balayeuse. Serrez ensuite les deux boulons maintenant ensemble les extrémités des tubes d'attelage. Pour terminer, serrez les deux boulons maintenant les supports d'attelage aux tubes d'attelage.
10. **(Figure 6 ou 7)** Assemblez la cheville d'attelage (Y), deux entretoises (U) et la goupille fendue (M) aux supports d'attelage.
11. **(Figure 8)** Fixez le manche de réglage de hauteur à l'intérieur du support situé à l'extrémité de le tube de réglage de hauteur. Utilisez deux boulons hexagonaux (E), deux rondelles plates (K) et deux écrous à frein élastique (J). **Serrez** les pièces que vous venez d'assembler.
12. **(Figure 8)** Assemblez la poignée (W) dans la manche le réglage de hauteur
13. **(Figure 9)** Dans l'ordre suivant, assemblez sur le boulon hexagonal (D) une rondelle plate (K), la douille pivot (S), l'étrier de réglage de hauteur et la bague d'espacement (T). Insérez le boulon à travers la partie supérieure du double trou qui se trouve dans l'extrémité du capot de la balayeuse et fixez-le en utilisant un écrou à frein élastique (J). **Serrez** les pièces que vous venez d'assembler.
14. **(Figure 10)** Placez la rondelle dentée (L) entre le manche de réglage de hauteur et l'étrier de réglage de hauteur. Insérez le boulon de carrosserie (F) en le faisant passer dans le manche de réglage de hauteur, la rondelle dentée et l'étrier de réglage de hauteur. Assemblez sur l'extrémité du boulon une rondelle plate (K) et un bouton en plastique (X).

ASSEMBLAGE DU SAC DE RÉCUPÉRATION DES DÉBRIS

1. **(Figure 11)** Faites tourner un des tubes arrière de trémie de sorte que les trous d'arrimage au milieu du tube regardent vers le bas. Faites glisser le tube à travers les deux boucles cousues sur la couture arrière supérieure à l'intérieur du sac de récupération des débris.
2. **(Figure 12)** Insérez les deux tubes latéraux supérieurs de la trémie à travers les panneaux cousus de chaque côté du sac de récupération des débris.

3. **(Figure 12)** Assemblez les extrémités du tube arrière de la trémie dans les extrémités des tubes latéraux supérieurs de la trémie. Serrez-les en utilisant les bouchons en plastique (Z).
4. **(Figure 13)** Faites tourner le deuxième tube arrière de trémie de sorte que les trous d'arrimage au milieu du tube regardent vers le haut. Assemblez les extrémités du tube arrière de la trémie dans les extrémités des tubes latéraux inférieurs de la trémie. Serrez-les en utilisant les bouchons en plastique (Z).
5. **(Figure 14)** Placez les tubes arrière inférieurs assemblés de la trémie dans la partie inférieure du sac de récupération des débris
6. **(Figure 14)** Attachez les extrémités des tubes latéraux inférieurs de la trémie à l'intérieur des tubes latéraux supérieurs de la trémie en utilisant deux axes à épaulement (O) insérées depuis l'intérieur ainsi que deux goupilles fendues (N).
7. **(Figure 15)** Insérez la bride du cadre du sac dans le manchon cousu le long du bord avant de la partie inférieure du sac.
8. **(Figure 15)** Assemblez la bride du cadre du sac aux tubes latéraux inférieurs de la trémie à l'aide de deux axes à épaulement (P) des goupilles fendues (N).
9. **(Figure 16)** Fixez les coins du sac autour des tubes latéraux inférieurs de la trémie en utilisant les boutons-pression des rabats du sac de part et d'autre de la partie inférieure de ce dernier.

IMPORTANT: Ne cintrerez pas à l'excès les tiges de support au cours des étapes suivantes. Ceci pourrait provoquer une perte de la tension de support des tiges en acier.

10. **(Figure 17)** Inclinez la trémie dans sa partie arrière afin d'assembler les deux tiges de support de la trémie. Placez les extrémités de chaque tige dans les tubes inférieurs et supérieurs arrière de la trémie, en courbant juste suffisamment la tige pour qu'elle pénètre dans les trous des tubes.
11. **(Figure 18)** Insérez un axe à épaulement (R) dans le trou inférieur de chaque tube latéral supérieur de la trémie. Assemblez ensuite le tube du bras du sac avec chaque axe à épaulement en le fixant avec une goupille fendue (N).
12. **(Figure 18)** Insérez un bouchon en vinyle (V) à l'extrémité de chaque tube du bras du sac.
13. **(Figure 19)** Attachez le cordage en partie centrale supérieure du bâti du sac de récupération des débris.
14. **(Figure 20)** Pour assembler le sac de récupération des débris, faites glisser les extrémités et des tubes du bras du sac dans les extrémités des tubes de l'attelage de la balayeuse, et assurez son maintien avec deux axes à épaulement (Q) et des goupilles fendues (N).

FIXATION DE L'ATTELAGE DE LA BALAYEUSE AU TRACTEUR (Figures 21, 22, 23)

1. Placez le tracteur et la balayeuse sur une surface de niveau.
2. Positionnez le manche de réglage de la hauteur de la balayeuse à environ mi-course.
3. Attachez les supports d'attelage de la balayeuse à l'attelage du tracteur, en positionnant les entretoises de 3/4 po. de sorte que la partie inférieure du sac de la balayeuse soit approximativement de niveau et entre 13 et 18 cm environ au-dessus du sol. Reportez-vous à la figure 22 concernant les attelages de tracteurs se trouvant entre 25 et 35 cm au-dessus du sol. Reportez-vous à la figure 23 concernant les attelages de tracteurs se trouvant entre 20 et 25 cm au-dessus du sol.

IMPORTANT: Afin de bénéficier des meilleures performances, la partie inférieure du sac de la balayeuse doit être de niveau et se trouver entre 13 et 18 cm au-dessus du sol (reportez-vous à la figure 21).

FONCTIONNEMENT

RÉGLAGE DE LA HAUTEUR DE LA BROSSSE

Pour régler les brosses de la balayeuse à la hauteur de fonctionnement adéquate, desserrez le bouton de réglage et abaissez le levier de réglage de la hauteur afin de soulever la brosse. La brosse se trouvant à 1,2 cm dans l'herbe correspond au meilleur réglage. Vous devez toujours tondre l'herbe à une hauteur régulière avant de procéder au balayage.

VITESSE DE BALAYAGE

Essayez une vitesse de 3 miles/h (5 km/h) environ pour commencer (troisième vitesse de la plupart des tracteurs). En fonction des conditions, il peut s'avérer nécessaire de régler la vitesse de balayage afin d'obtenir les meilleurs résultats possibles.

COMMENT VIDER LA BALAYEUSE

Votre balayeuse peut-être facilement vidée sans descendre du tracteur. Tirez simplement sur le cordage afin de vider la trémie. Videz toujours la trémie après chaque utilisation.



ATTENTION: N'attachez jamais le cordage de la trémie à votre corps ou à vos vêtements ! **Ne tenez jamais** le cordage en tractant la balayeuse ! **Fixez le cordage** au véhicule tracteur afin de l'éloigner des roues et des pièces en mouvement.

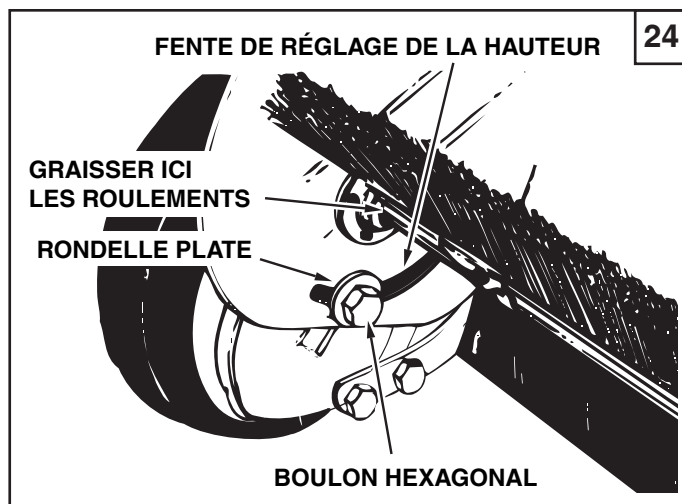


ATTENTION: Éloignez la balayeuse de toute source d'inflammation. Une chaleur excessive peut endommager les brosses ainsi que le sac de récupération des débris et peut provoquer l'incendie du sac et de son contenu.

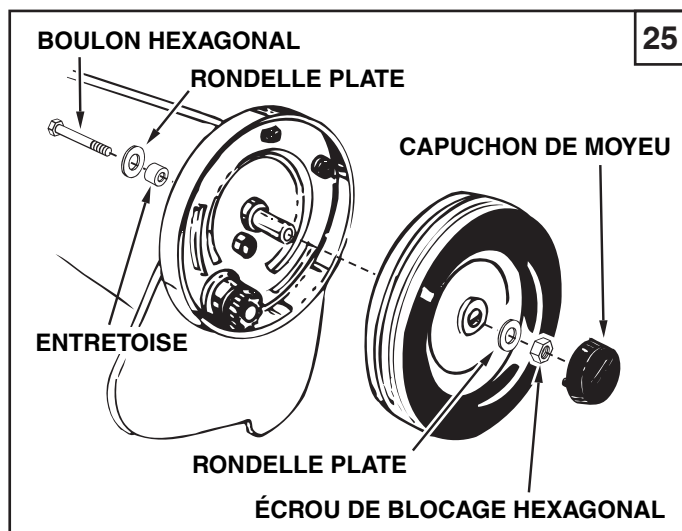
MAINTENANCE

RESPONSABILITÉS DU CLIENT

1. Vérifiez que les organes de fixation sont serrés avant chaque utilisation.
2. Nettoyez la balayeuse après chaque utilisation.
 - a. Nettoyez le bâti de la balayeuse avec une brosse souple ou avec un chiffon.
 - b. Nettoyez les débris du sac de récupération avec une brosse ou avec un balai.
 - c. Éliminez les débris pouvant s'être enroulés autour des brosses ou aux extrémités de l'axe de ces dernières
3. Vérifiez l'absence d'usure ou de pièces endommagées, comme les brosses ou les roues avant chaque utilisation. Procédez aux besoins à leur remplacement.
4. **(Figure 24)** Graissez les roulements de l'axe de la brosse deux fois par an avec quelques gouttes d'une huile légère.



5. Graissez les roulements de roues chaque saison. Déposez le capuchon de moyeu et appliquez quelques gouttes d'une huile légère.
6. **(Figure 25)** Tous les deux ans, démontez les roues et nettoyez les engrenages se trouvant à l'intérieur du boîtier des roues. Après nettoyage, graissez les engrenages avec une graisse légère uniformément répartie. Pour démonter la roue, déposez le capuchon du moyeu ainsi que l'écrou de blocage et la rondelle plate.



ENTREPOSAGE



ATTENTION Avant d'entreposer la balayeuse, videz toujours le sac de récupération des débris afin d'éviter une combustion spontanée.

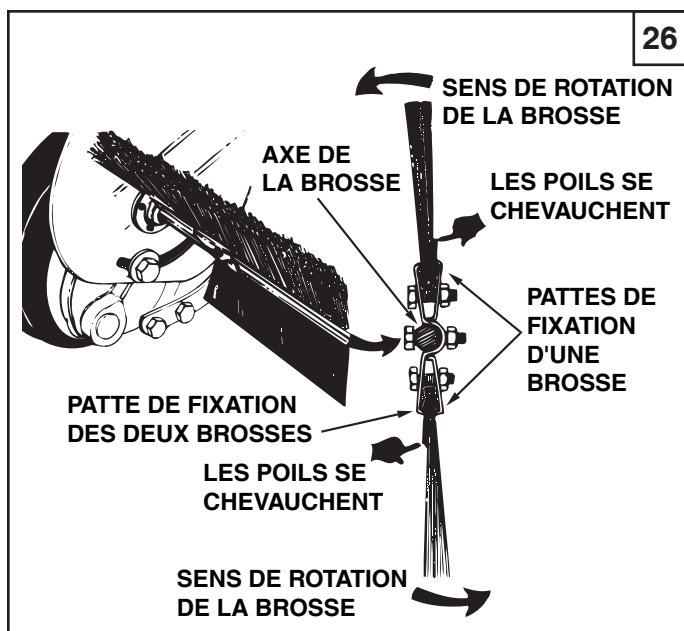
1. Nettoyez la balayeuse et la trémie parfaitement afin de prévenir la rouille et la moisissure.
2. Pour plier le sac de récupération des débris en vue de son entreposage, démontez les deux tiges de support situées à l'arrière de la trémie.
3. Entrez dans un endroit sec.

ENTRETIEN ET RÉGLAGES

REPLACEMENT DES BALAIS

REMARQUE : Le remplacement des balais doit s'effectuer un à la fois.

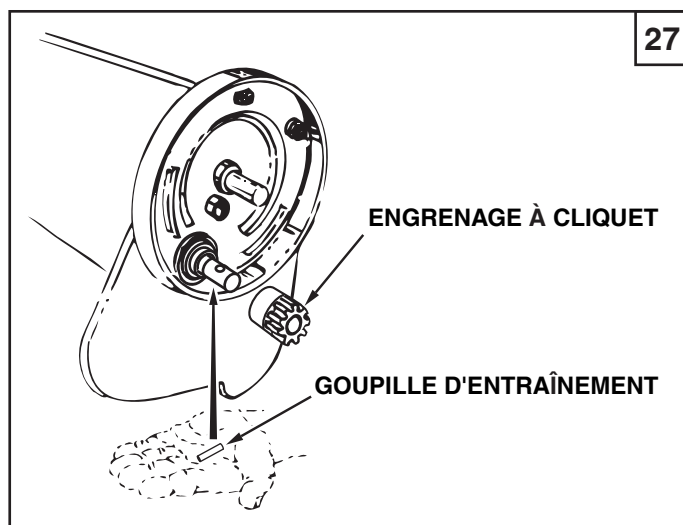
1. Démontez le sac de récupération des débris de la balayeuse.
2. **(Figure 26)** Desserrez les boulons hexagonaux et les écrous de blocage sur les deux pattes de fixation qui maintiennent une seule brosse sur le système retenant les deux brosses. **NE DESSERREZ ni ne démontez les boulons qui maintiennent le système de retenue des deux brosses sur l'axe des brosses.**
3. **(Figure 26)** Faites glisser la brosse en dehors des pattes de fixation en notant le côté de la brosse sur lequel se chevauchent les poils.
4. **(Figure 26)** Installez une nouvelle brosse en vous assurant que les poils se chevauchent du même côté de la brosse qu'auparavant.



ENTRETIEN DES ENGRENAGES DES ROUES ET DU CRABOT

IMPORTANT: NE DÉMONTÉZ PAS les deux roues simultanément afin d'éviter d'intervir des pièces. (Les engrenages droit et gauche des roues à cliquet ne sont pas interchangeables.) Prenez note de la position des rondelles et des anneaux à ressort pendant le démontage.

1. Démontez **seulement une** roue à la fois.
2. Déposez les anneaux de retenue et les rondelles qui maintiennent l'engrenage à cliquet sur l'axe des balais.
3. **(Figure 27)** Déposez l'engrenage en le faisant glisser en dehors de l'axe de la brosse. (Prenez garde à la goupille d'entraînement qui peut tomber de l'axe de la brosse lors du retrait de l'engrenage à cliquet.)
4. Pour procéder au remontage, insérez la goupille d'entraînement à travers le trou à proximité de l'extrémité de l'axe de la brosse. Assurez-vous que la goupille glisse facilement de part et d'autre sur l'axe.
5. Graissez légèrement l'axe ainsi que l'engrenage à cliquet. Remontez l'engrenage à cliquet sur l'axe.
6. Graissez légèrement l'axe et la denture de l'engrenage sur la roue avant de procéder à son remontage. Les brosses doivent **seulement** tourner pendant la rotation vers l'avant de la roue. Si les brosses sont entraînées (en rotation) aussi bien lors de la rotation en marche avant qu'en marche arrière de la roue, la goupille d'entraînement se trouve coincée dans l'engrenage à cliquet. Démontez l'ensemble pour nettoyer et graisser la goupille d'entraînement ainsi que l'engrenage à cliquet.
7. Démontez la deuxième roue et répétez la procédure.



GUIDE DE DÉPANNAGE

<p>Les roues patinent pendant le balayage.</p>	<ol style="list-style-type: none"> 1. Les brosses sont réglées trop bas. 2. Les brosses sont coincées 3. Les roues sont coincées. 	<ol style="list-style-type: none"> 1. Réglez la hauteur jusqu'à ce que les brosses se trouvent à 1,2 cm dans l'herbe. 2. Arrêt de la balayeuse. Éliminez l'obstruction. 3. Démontez une roue à la fois afin de vérifier la présence d'une obstruction ou d'une détérioration. Reportez-vous à la section Entretien et réglages.
--	--	--

REPAIR PARTS FOR MODEL 45-03201 42" LAWSWEEPER

REF	PART NO.	QTY	DESCRIPTION	REF	PART NO.	QTY	DESCRIPTION
1	40614	1	Hitch Tube, R.H.	39	23400	3	Bushing, Pivot
2	40615	1	Hitch Tube, L.H.	40	48652	1	Gear, Pinion R.H. (not shown)
3	23353	1	Pin, Hitch	41	48651	1	Gear, Pinion L.H.
4	23368	2	Tube, Hitch Spacer	42	43661	4	Bolt, Hex 1/4-20 x 1" Lg.
5	43343	1	Hairpin Cotter, 1/8" #4	43	64559	2	Ass'y, Dust Cover
7	C-9M5732	8	Rivet, Pop	44	48587	2	Tube, Hopper Frame (Rear)
9	43182	4	Bolt, Hex 5/16-18 x 3/4"	45	48466	2	Tube, Upper Hopper Frame (Front)
10	66137	1	Sweeper Housing Assembly	46	48726	2	Tube, Lower Hopper Frame (Front)
11	23336	2	Washer, Special	47	48402	4	Plastic Plug
12	66070	1	Height Adjustment Tube Assembly	48	48388	1	Hopper Bag
13	43063	2	Bolt, Hex 5/16-18 x 1"	49	48366	2	Clevis Pin, 3/8" x 1/2"
14	25408	1	Bushing, Spacer	50	24949	1	Strap, Bag Frame
15	43840	1	Bolt, Hex 5/16-18 x 1-1/4"	51	43926	2	Rod, Hopper Support
16	44732	1	Washer, Star	52	43737	1	Hopper Rope
17	R19212113	2	Washer, 5/8" SAE	53	44481	2	Cap, Vinyl
18	1629-56	2	Retainer, Dust Cover	54	24979	1	Strap, Height Adjustment
19	44910	2	Bushing, Brush Shaft	55	23687	1	Bracket, Hitch
20	25850	1	Brush Shaft	56	24192	1	Bracket, Hitch (Straight)
21	48557	4	Brush	57	26243	1	Handle, Height Adjustment
22	43012	8	Bolt, Hex 1/4-20 x 3/4" Lg.	58	40621	2	Tube, Bag Arm
23	47189	12	Nut, Nylock 1/4-20	59	43513	2	Pin, Clevis 3/8" x 3"
24	23580	4	Retainer, Brush (Double)	60	44985	2	Wheel & Tire Ass'y. (with bearings)
25	23581	8	Retainer, Brush (Single)	61	45088	4	Wheel Bearing
26	44008	2	Washer, Flat 1-1/8" x .78" x .025"	62	44292	2	Bolt, Hex 5/16-18 x 2-1/2" Lg.
27	47046	2	Dowel Pin (Drive)	63	44180	2	Bolt, Hex 5/16-18 x 2" Lg.
29	47810	15	Nut, Nylock 5/16-18	65	43681	4	Bolt, Carriage 5/16-18 x 1-1/2"
30	44911	2	Spacer, .39 I.D". x 1-1/4" O.D. x .5"	66	43055	8	Hairpin Cotter, 3/32" #3
31	42093	2	Washer, Flat .849" x .598" x .025"	67	43720	1	Knob, Wing 5/16-18 Thread
32	46219	2	Spacer, .78 I.D". x 1-1/4" O.D. x .5"	68	44326	1	Bolt, Carriage 5/16-18 x 1"
33	1650-21	2	Ring, Retaining .594"	69	43081	4	Washer, Flat 5/16" Std. Wrt.
34	40001	6	Washer, Shim 1-1/8" x .594" x .025"	70	43943	1	Grip, Height Adjust
35	141	4	Washer, Flat 1-1/2" x .375" x .062"	71	46867	2	Clevis Pin, 1/4" x 1-3/4" Lg.
36	1038	2	Nut, Nylock Jam 3/8-24 Thread	72	48365	2	Clevis Pin, 1/4" x 1-1/8"
37	2674-32	2	Hub Cap		40636	1	Owners Manual
38	44961	2	Bolt, Hex 3/8-24 x 3-1/4" Lg.				

SpeedPart *the fastest way to purchase parts* www.speedepart.com

SpeedPart *the fastest way to purchase parts* www.speedepart.com

REPAIR PARTS

Agri-Fab, Inc.
809 South Hamilton
Sullivan, IL. 61951
217-728-8388
www.agri-fab.com

This document (or manual) is protected under the U.S. Copyright Laws and the copyright laws of foreign countries, pursuant to the Universal Copyright Convention and the Berne convention. No part of this document may be reproduced or transmitted in any form or by any means, electronic or mechanical, including photocopying or recording, or by any information storage or retrieval system, without the express written permission of Agri-Fab, Inc. Unauthorized uses and/or reproductions of this manual will subject such unauthorized user to civil and criminal penalties as provided by the United States Copyright Laws.