



Gas Fired Cookers

Installation Instructions for Aga BF Gas Fired Cooker Models GC, GCB, GE and GEB

FOR USE IN GB & IE

PLEASE READ THESE INSTRUCTIONS BEFORE INSTALLING YOUR AGA

Consumer Protection

As responsible manufacturers we take care to make sure that our products are designed and constructed to meet the required safety standards when properly installed and used.

IMPORTANT NOTICE: PLEASE READ THE ACCOMPANYING WARRANTY. Any alteration that is not approved by Aga could invalidate the approval of the appliance, operation of the warranty and could affect your statutory rights.

Important

This appliance may contain some of the materials that are indicated. It is the Users/Installers responsibility to ensure that the necessary personal protective clothing is worn when handling, where applicable, the pertinent parts that contain any of the listed materials that could be interpreted as being injurious to health and safety, see below for information.

Firebricks, Fuel beds, Artificial Fuels - when handling use disposable gloves.

Fire Cement - when handling use disposable gloves.

Glues and Sealants - exercise caution - if these are still in liquid form use face mask and disposable gloves.

Glass Yarn, Mineral Wool, Insulation Pads, Ceramic Fibre, Kerosene Oil - may be harmful if inhaled, may be irritating to skin, eyes, nose and throat. When handling avoid inhaling and contact with skin or eyes. Use disposable gloves, face-masks and eye protection. After handling wash hands and other exposed parts. When disposing of the product, reduce dust with water spray, ensure that parts are securely wrapped.

INSTALLATION

With specific exceptions, the installing of any type of Aga Cooker is subject to the respective directions contained in current issue of The Building Regulations. In addition, Planning Permission may need to be obtained, which should be applied for separately. The complete range of Aga cookers are suitable for Natural or Propane gases only and cannot be used on any other gas.

The complete cooker is floor-mounted and the space in which the appliance is to be fitted must have the following minimum dimensions:-

A minimum clearance of 60mm is required above the raised insulating cover handle.

Side Clearances: A 3mm gap is required each side between the cooker top plate and adjoining work surfaces that maybe fitted, this is to allow for the safe removal of the top plate should this be required at a later date.

Where cookers are fitted against side walls a 116mm clearance is required at the right hand side for oven doors access. (A further 116mm is necessary if a left hand side gas connection is required.

If the Aga is to be installed in a brick recess, then the minimum clearances should be increased by at least 10mm on either side, to allow for the walls not being square and also for the natural dimensional variations found in the castings.

In addition a minimum clearance of 1000mm must be available at the front of the cooker to enable the cooker to be serviced.

NOTE: AGA GAS FIRED COOKERS ARE DELIVERED EX-WORKS UNASSEMBLED. ASSEMBLY IS UNDERTAKEN ON SITE BY THE AUTHORISED AGA DISTRIBUTOR.

Cooker Base or Hearth

It is essential that the base or hearth on which the cooker stands should be level and be capable of supporting the total weight of the respective cooker.

Models GC and GCB 406Kg, GE and GEB - 584Kg.

The top of the hearth must be of non-combustible material thickness of 12mm.

The wall behind the cooker must be of non-combustible material for a minimum thickness of 25mm.

Tiling

When the cooker is to stand in a recess, or against a wall which is to be tiled, in no circumstances should the tiles overlap the cooker top plate.

Installation Requirements

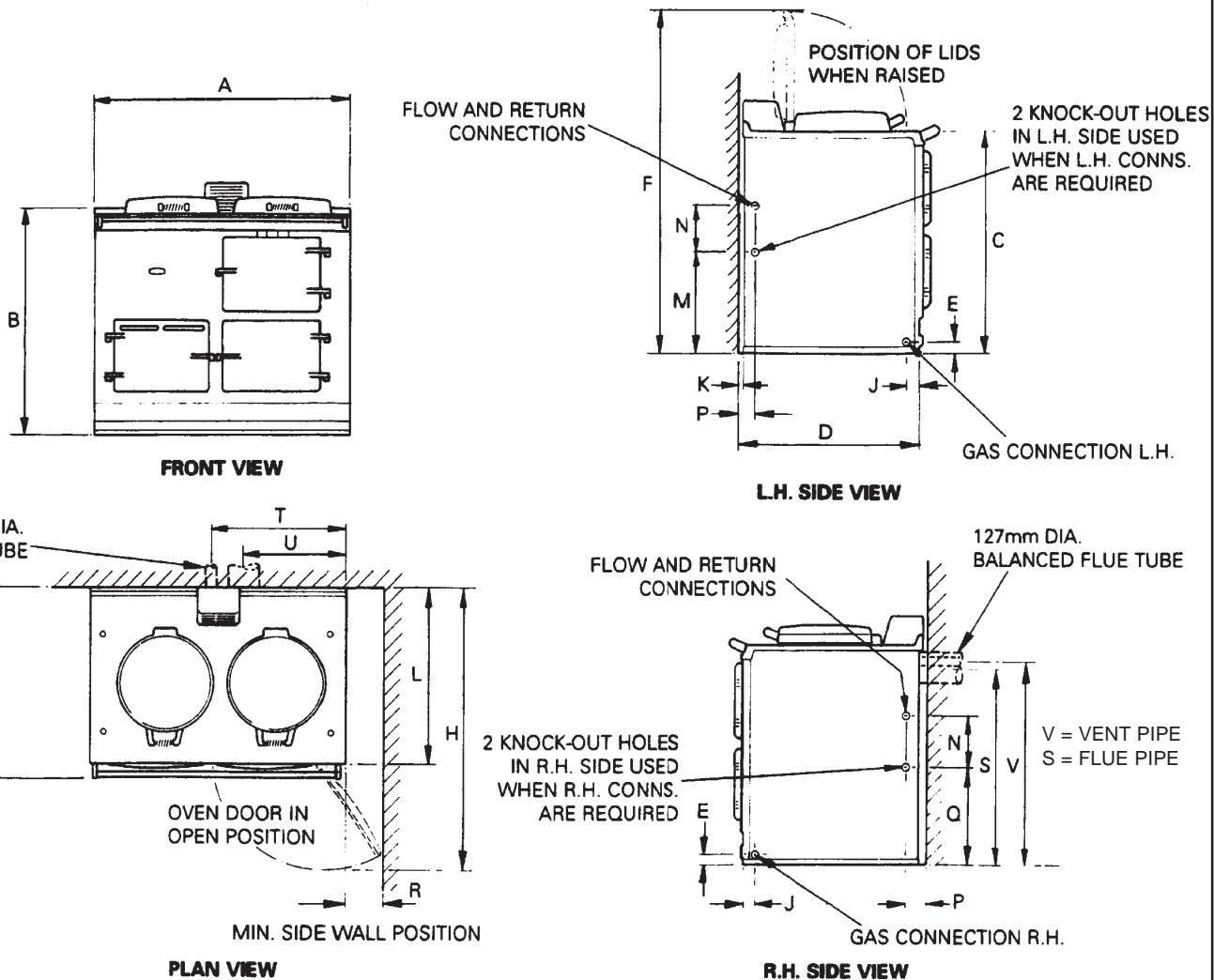
The installation of the cooker must be in accordance with the relevant requirements of the Gas Safety Regulations, Building Regulations and the bylaws of the local Water Undertaking.

It should be in accordance also with any relevant requirements of the Gas Region and Local Authority.

In your own interest, and that of safety to comply with the law, all gas appliances should be installed by a competent person, in accordance with the relative regulations. Failure to install appliances correctly could lead to prosecution.

On completion, test the gas installation for soundness.

REMEMBER, when replacing a part on this appliance, use only spare parts that you can be assured conform to the safety and performance specification that we require. Do not use reconditioned or copy parts that have not been clearly authorised by AGA.

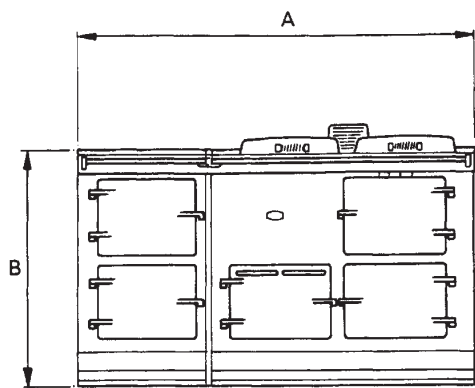


DESN 511050

	A	B	C	D	E	F	G	H	J	K	L	M	N	P	Q	R	S	T	U	V
mm	987	889	851	679	41	1330	756	1125	39	3	698	499	127	41	530	116	770	484	328	828

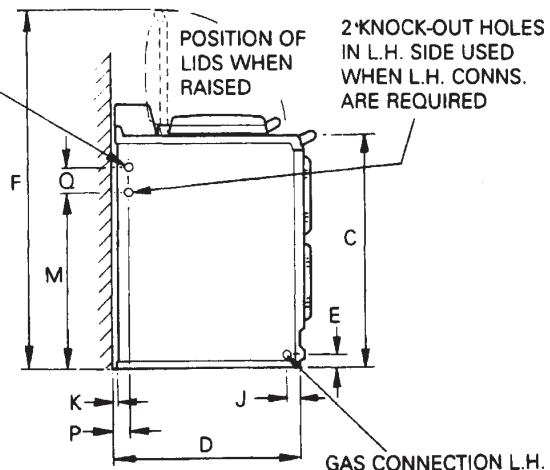
Models GC and GCB Balanced flue	GC	GCB
NATURAL G20		
MAXIMUM HEAT INPUT	5kW	5kW
Thermostat Bypass	100 or 120	120 or 140
Main Burner Injector	285	285
Pilot Injector	N35	N35
Inlet Pressure G20	20mbar	20mbar
PROPANE G31		
MAXIMUM HEAT INPUT	5kW (357g/h)	5kW (357g/h)
Thermostat Bypass	60 or 80	80 or 100
Main Burner Injector	180	180
Pilot Injector	L23	L23
Inlet Pressure	37mbar	37mbar
Burner Pressure	28mbar	28mbar

For Natural Gas the gas valve outlet pressure is non-adjustable, BUT for reference purposes only. A pressure drop of 1-2mbar can be observed between inlet and outlet pressures on a cold appliance.



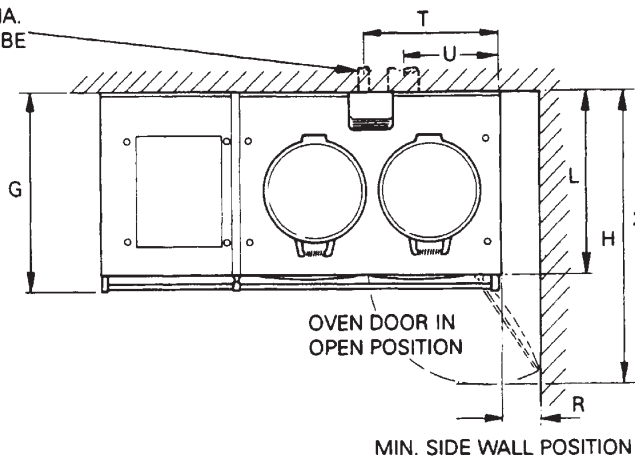
FRONT VIEW

FLOW AND RETURN CONNECTIONS



L.H. SIDE VIEW

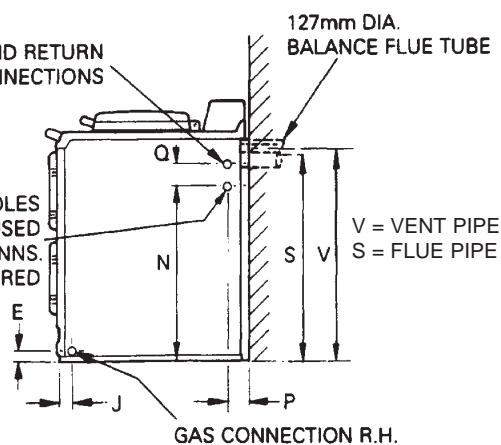
28mm DIA. VENT TUBE



PLAN VIEW

FLOW AND RETURN CONNECTIONS

2 KNOCK-OUT HOLES IN R.H. SIDE USED WHEN R.H. CONNS. ARE REQUIRED



R.H. SIDE VIEW

DESN 511051

	A	B	C	D	E	F	G	H	J	K	L	M	N	P	Q	R	S	T	U	V
mm	1487	889	851	679	41	1330	756	1125	39	3	698	632	591	51	67	116	770	484	328	828

Models GE and GEB Balanced flue	GE	GEB
	NATURAL G20	
MAXIMUM HEAT INPUT	5kW	5.8kW
Thermostat Bypass	100 or 120	120 or 140
Main Burner Injector	285	330
Pilot Injector	N35	N35
Inlet Pressure G20	20mbar	20mbar
PROPANE G31		
MAXIMUM HEAT INPUT	5kW (357g/h)	5.8kW (414g/h)
Thermostat Bypass	60 or 80	80 or 100
Main Burner Injector	180	200
Pilot Injector	L23	L23
Inlet Pressure	37mbar	37mbar
Burner Pressure	28mbar	32mbar

For Natural Gas the gas valve outlet pressure is non-adjustable, BUT for reference purposes only. A pressure drop of 1-2mbar can be observed between inlet and outlet pressures on a cold appliance.

FLUE SYSTEM

The terminal is suitable for wall thicknesses from 228mm to 600mm cut size

Should the installation of the appliance be in an unusual location or restricted space, special procedures may be necessary.

Terminal Position

The minimum acceptable spacings from the terminal to obstructions and ventilation openings are as shown in the diagram.

Where the terminal is fitted within 600mm below plastic guttering an aluminium shield 1500mm long should be fitted to the underside and immediately beneath the guttering or eaves.

Where the terminal is fitted within 450mm below eaves or painted guttering an aluminium shield 750mm long should be fitted to the underside and immediately beneath the guttering or eaves.

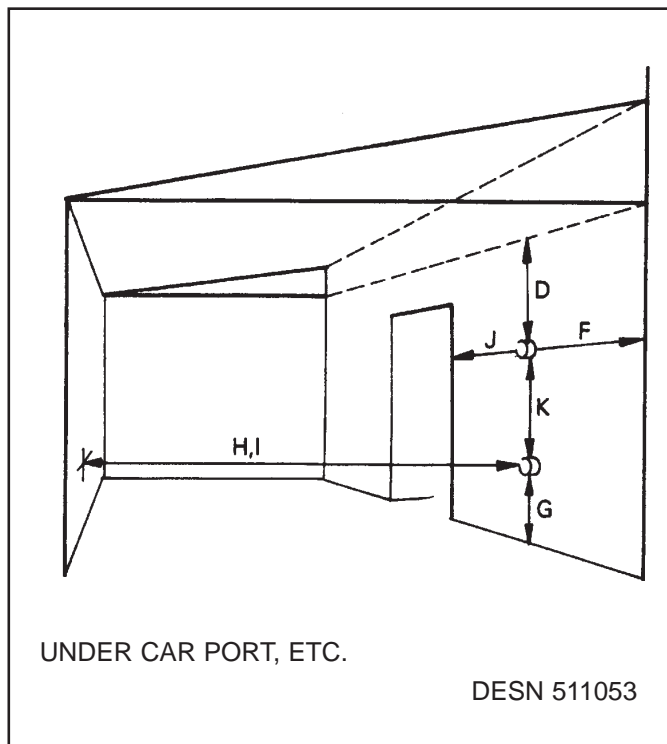
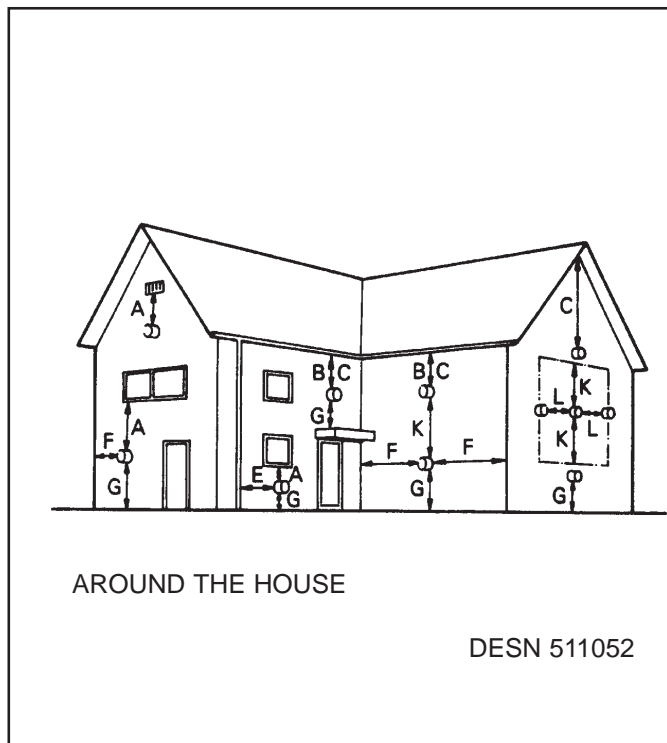
Minimum siting dimensions for Balanced Flue terminals

Position	Minimum Spacing mm
A Directly below an openable window, air vent, or an other ventilation opening	300
B Below gutter, drain/soil pipe	300
C Below eaves	300
D Below a balcony or car port roof	600
E From vertical drain pipes and soil pipes	300
F From internal or external corners	600
G Above adjacent ground or balcony level	300
H From surface facing the terminal	600
I Facing terminals	600
J From opening (door/window) in car port into dwelling	1200
K Vertical from a terminal	1500
L Horizontally from a terminal	300

Terminal Protection

A terminal guard is supplied with the cooker and must be fitted if flue termination is less than 2 metres above ground level, or subject to damage.

When fitted, it must be positioned to provide a minimum of 50mm clearance from any part of the terminal and be central over the terminal.



AIR SUPPLY

Kitchen or Internal Space Air Supply

Where the appliance is to be installed in a kitchen or internal space, it does not require the kitchen or internal space containing it to have a permanent air vent.

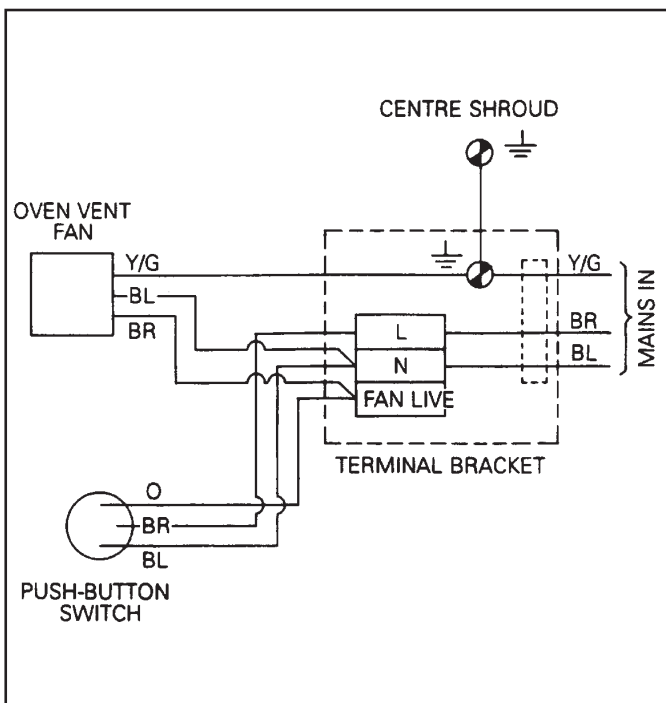
INSTALLATION PIPES

Installation pipes should be fitted in accordance with current Gas Regulations. Pipework from the meter/tank to the cooker must be of adequate size, cooker connection size of 15mm Dia. On completion test the gas installation for soundness and purge in accordance with current Gas Regulations.

ELECTRICAL

A 3Amp 230V~50Hz fused electrical supply is required adjacent to the appliance. External wiring to the fan unit must be installed using a 3 core heat resisting 85°C PVC sheathed cable and in accordance with the current Wiring Regulations and any local regulations which apply. The wiring should be completed as indicated:

The method of connection to the mains electricity supply must facilitate complete electrical isolation of the appliance, preferably by the use of an unswitched shuttered socket outlet in conjunction with a fused three pin plug. Alternatively, a fused double pole switch, having a contact separation of at least 3mm in both poles, serving only the appliance may be used.



THE HOT WATER SYSTEM

(Models GCB and GEB Only)

In a domestic hot water system, the hot water storage vessel must be of the indirect cylinder or calorifier type. The hot water storage vessel should be insulated, preferably, with not less than 75mm thick mineral fibre, or its equivalent.

Pipework not forming part of the useful heating surface should be insulated to help prevent heat loss and possible freezing, particularly where pipes are run through roof spaces and ventilated under floor spaces. Cisterns situated in areas which may be exposed to freezing conditions should also be insulated.

Draining taps must be located in accessible positions which permit the draining of the whole system, including the boiler and hot water storage vessel.

Draining taps should be at least 15mm nominal size. The use of horizontal pipe runs should be avoided wherever possible in order to prevent the collection of air in the system. If horizontal runs are unavoidable, the pipes should rise upwards in the direction away from the boiler. Hot water systems should be in accordance with the relevant recommendations.

Water Circulation System

(Models GCB and GEB only)

The cooker boiler should be connected to a cistern water supply and subject to a maximum head of 18.25m and minimum 1m.

The 28mm minimum diameter primary flow pipe must rise continuously from the cooker boiler to the cylinder to ensure good gravity circulation and have an open vent. The 28mm diameter primary flow and return pipes must not exceed 5.5m in length and be well insulated.

Water Connections

(Models GCB and GEB only)

The two 28mm copper flow and return pipes from the boiler can be obtained for right or left hand connections.

Hot Water Storage Vessel

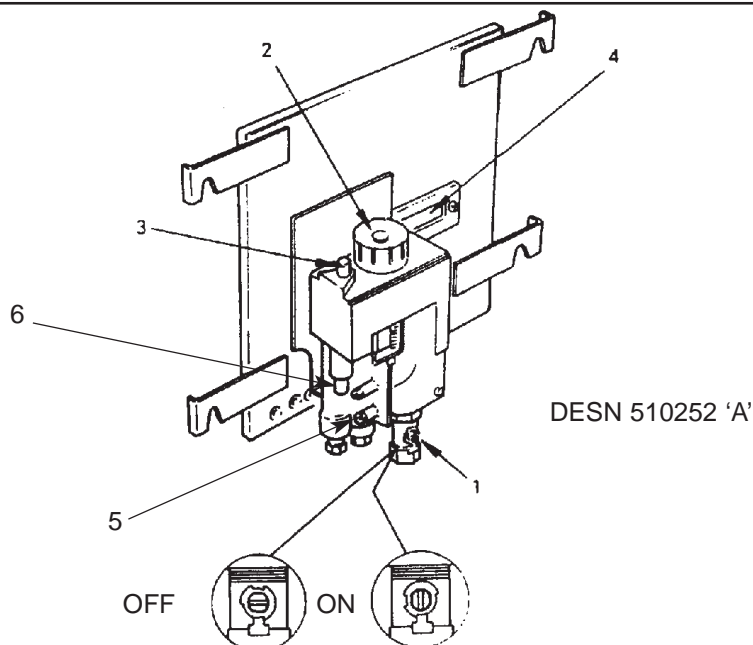
It is recommended that an indirect 190 litre (40 gallon) hot water storage cylinder of the double feed type should be lagged and fixed vertically as near as possible to the cooker.

The water draw-off pipes to the taps must be dead leg connection from the vent/expansion pipe.

A drain tap must be fitted at the lowest point of the system.

Cooker Boiler Heat Exchanger

The heat exchanger must be connected to a 190 litre (40 gallon) copper double feed indirect cylinder.



DESN 510252 'A'

COMMISSIONING

LIGHTING THE BURNER - Fig. 2

CAUTION: NO SMOKING OR NAKED LIGHTS

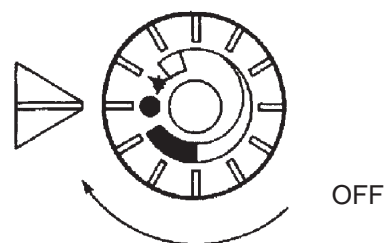
Open the outer burner door to expose the gas control combination valve.

CAUTION: BEFORE LIGHTING: ENSURE THAT THE GAS VALVE CONTROL KNOB 2 IS SET IN THE OFF POSITION (SEE FIG. A) AND COMBUSTION DISCHARGE SAFETY DEVICE BUTTON IS DEPRESSED.

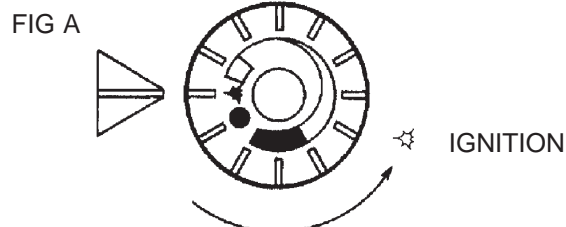
1. Turn off union gas cock 1. Test the gas installation from the meter cock for soundness and purge.
2. Turn on gas supply to cooker and open gas cock 1.
3. Turn the gas valve control knob 2 anti-clockwise to the position (see Fig. B.). Press down and hold the knob in the position while depressing the piezo ignitor 3 several times until the pilot has lit. This can be observed through the viewing window 4.
4. When the pilot has lit continue to hold the gas valve control knob for approximately 30 seconds. If it goes out, wait 3 minutes and repeat the procedure holding for a little longer.
5. With the pilot flame established, release the gas valve control knob 2 gradually and rotate anti-clockwise to its low fire position. Where upon the main burner will automatically light. Leave in the low fire position for at least 30 minutes.

NOTE: ANY ATTEMPT TO ROTATE THE CONTROL KNOB BEFORE RELEASE MAY RESULT IN DAMAGE.

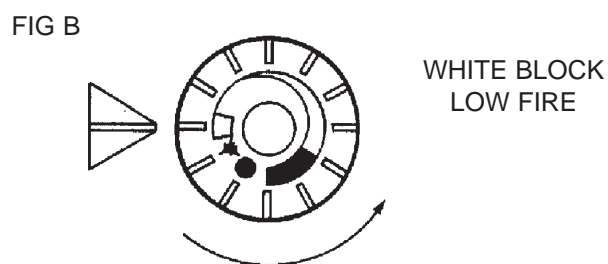
6. After 30 minutes rotate the control knob further anti-clockwise to the mid-position of the green band for normal running (see Fig. D).



OFF



IGNITION



WHITE BLOCK
LOW FIRE



GREEN BAND
NORMAL RUNNING

NOTE: AFTER SEVERAL HOURS THE HEAT INDICATOR SHOULD BE ON OR ABOUT THE BLACK LINE IN THE SILVER SECTION.

IT MAY BE NECESSARY TO ADJUST THE CONTROL KNOB SLIGHTLY IN THE GREEN BAND TO ACHIEVE THIS.

IF THE FLAME HAS EXTINGUISHED FOR WHATEVER REASON, WAIT THREE MINUTES (MINIMUM) BEFORE RE-LIGHTING.

7. On the first lighting or if the cooker has been cold for a long time, moisture from the insulation may run down the enamelled front of the cooker. This should be wiped off to prevent staining.
8. Check the inlet gas pressure is as indicated in the data plate as follows:
 - (i) Turn the gas valve control knob **2** to OFF position (see Fig. A). Remove the inlet pressure test nipple plug **5** and fit pressure gauge. Turn gas valve control knob **2** to the mid position of green band.
 - (ii) Check inlet pressure correctly corresponds to the data plate.
 - (iii) Check that the gas pressure is unaffected when other gas appliances are used.
 - (iv) Turn gas valve control knob **2** to ignition position (see Fig. B). Remove the pressure gauge and replace gas nipple plug. Turn gas valve control knob **2** to the mid-position of the green band for normal running.

NOTE FOR L.P. COOKERS ONLY

Repeat instruction 8 on completely cold cooker with the pressure gauge fitted to the burner pressure test point **6**. Check that the burner pressure correctly corresponds to the table on pages 2 or 3.

NOTE: IF FOR ANY REASON A GAS RATE CHECK IS REQUIRED, TURN OFF ALL OTHER APPLIANCES USING GAS AND USING THE GAS METER TEST DIAL AND STOP WATCH, CHECK THAT THE MAXIMUM GAS INPUT IS AS INDICATED ON THE DATA PLATE.

Once the correct setting has been confirmed, the heat control will operate automatically to maintain the cooker at full temperature.

NOTE: REMEMBER TO NOTE THE SETTING POSITION IF TURNING OFF THE COOKER.

INSTRUCTIONS

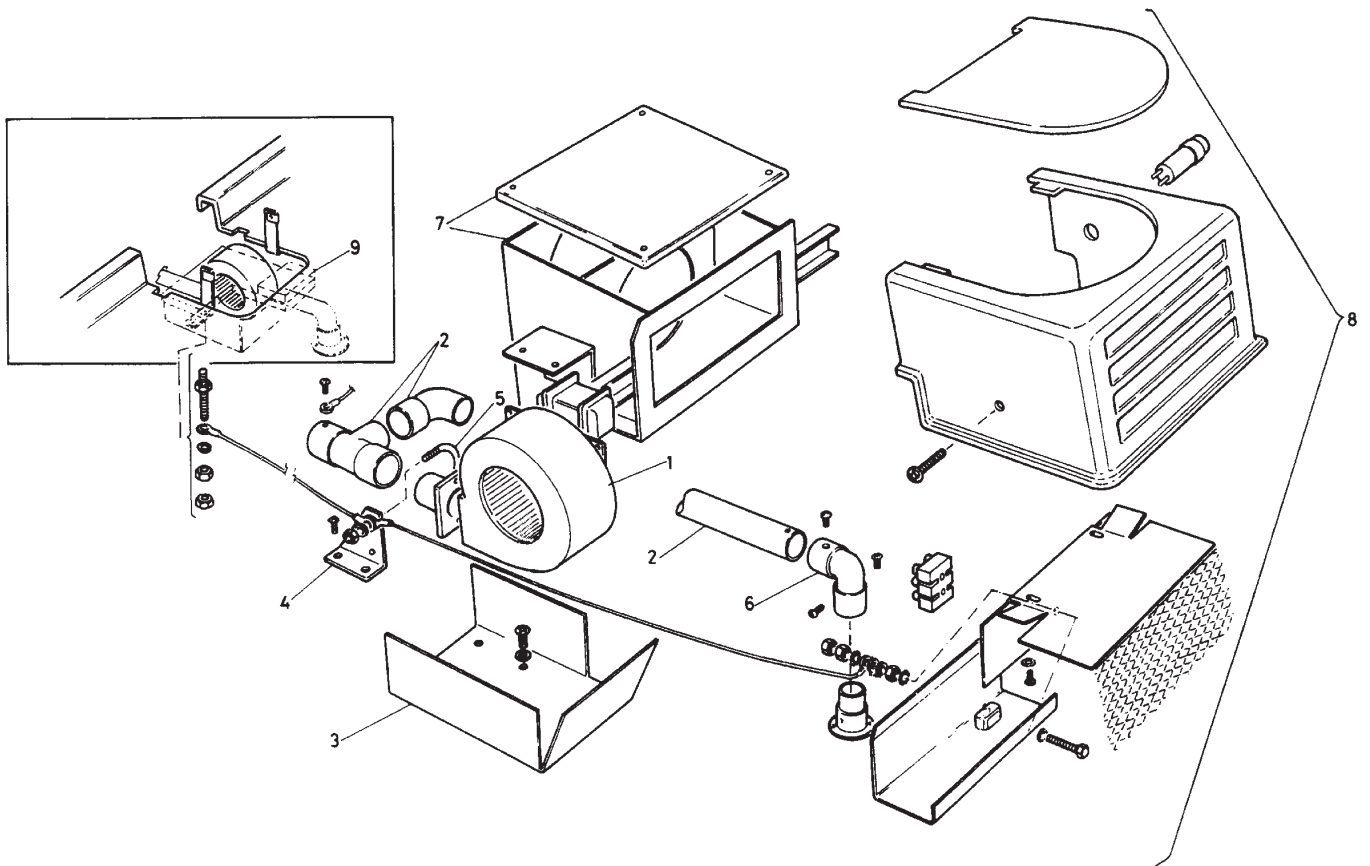
Hand these and the Operating Instructions to the User for retention and instruct in the safe operation of the appliance.

Advise the User of the precautions necessary to prevent damage to the Domestic Hot Water System and to be building in the event of the Domestic Hot Water System remaining inoperative during frost conditions.

Finally advise the User that, for continued efficient and safe operation of the appliance it is important the adequate servicing is carried out at regular intervals recommended by the Aga Distributor or local Gas Region.

KEY

1. FAN
2. VENTURI MANIFOLD ASSEMBLY
3. FAN SHIELD
4. MOUNTING BRACKET
5. 'U' BOLT
6. FLANGED MOUNTING
7. BALANCED FLUE KIT
8. FAN SHROUD ASSEMBLY
9. MANIFOLD INSULATION



DESN 511054

With Aga's policy of continuous product improvement, the Company reserves the right to change specifications and make modifications to the appliance described and illustrated at any time.



Aga
Station Road
Ketley Telford
Shropshire TF1 5AQ
England

For further advice or information contact your local distributor/stockist.

www.aga-web.co.uk

www.agalinks.com

www.agacookshop.co.uk